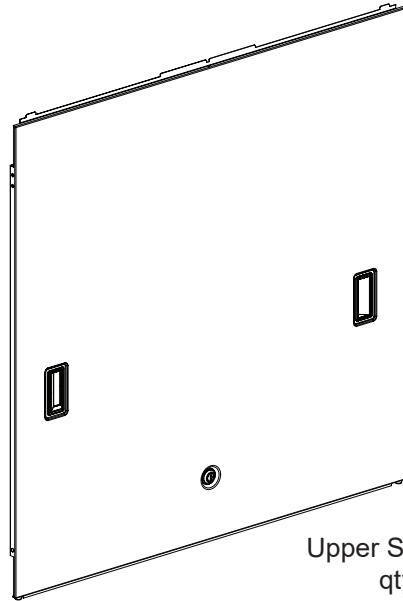


Tool List:

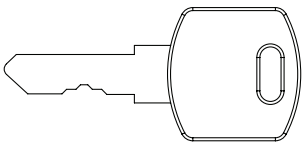


- T25 Torx

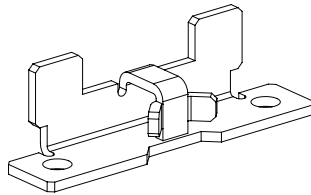


Upper Side Panel
qty. 1

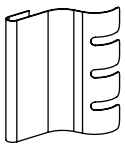
Components Included:



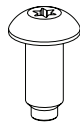
Keys
qty. 2



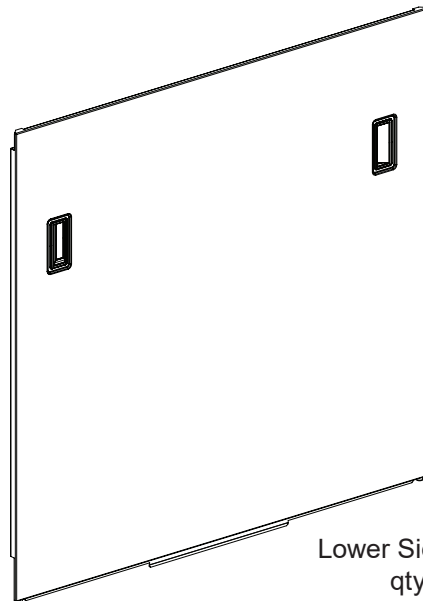
Lock Catch
qty. 1



Grounding clip
qty. 4



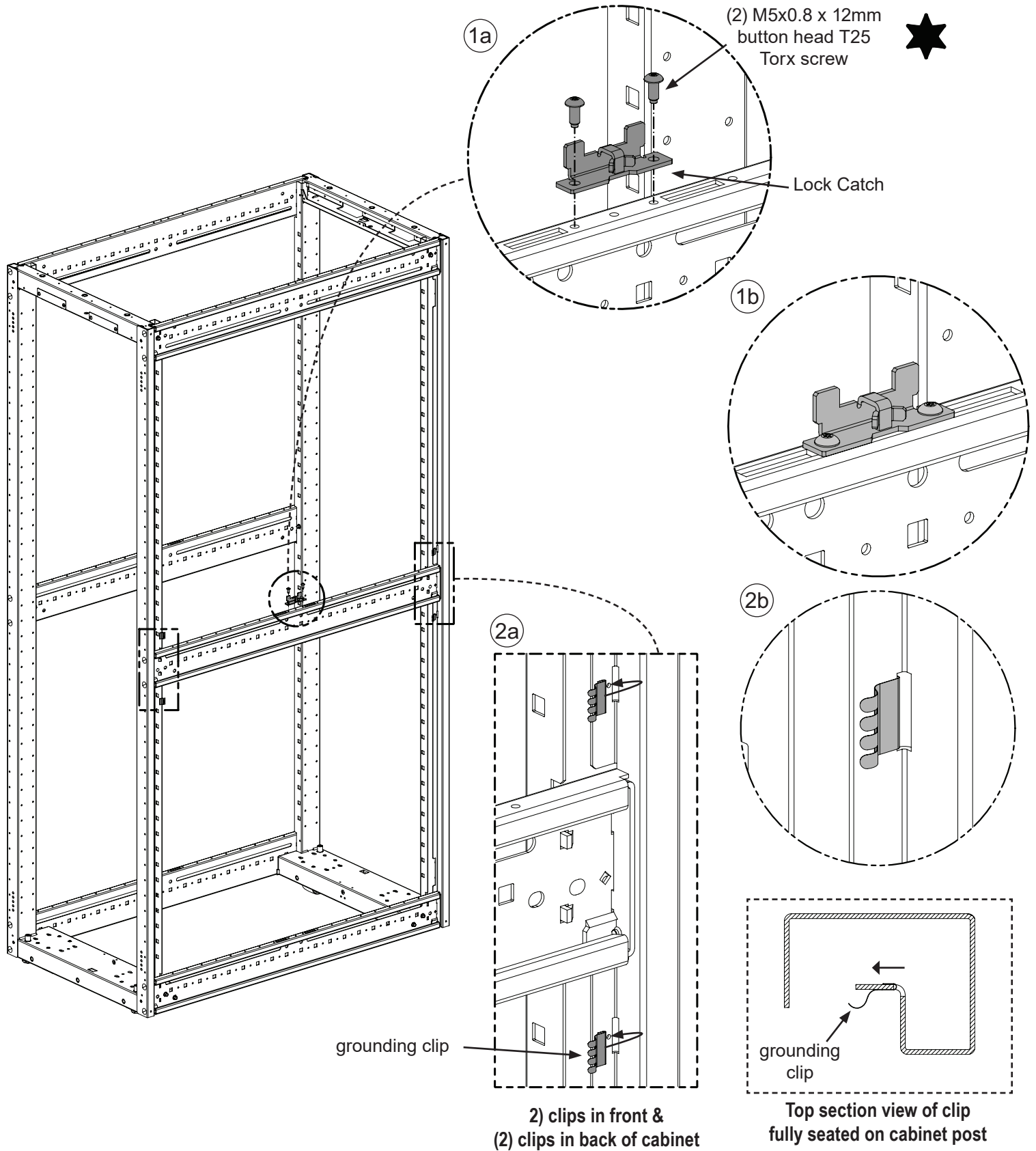
M5x0.8 x 12mm
button head T25
Torx screw
qty. 2



Lower Side Panel
qty. 1

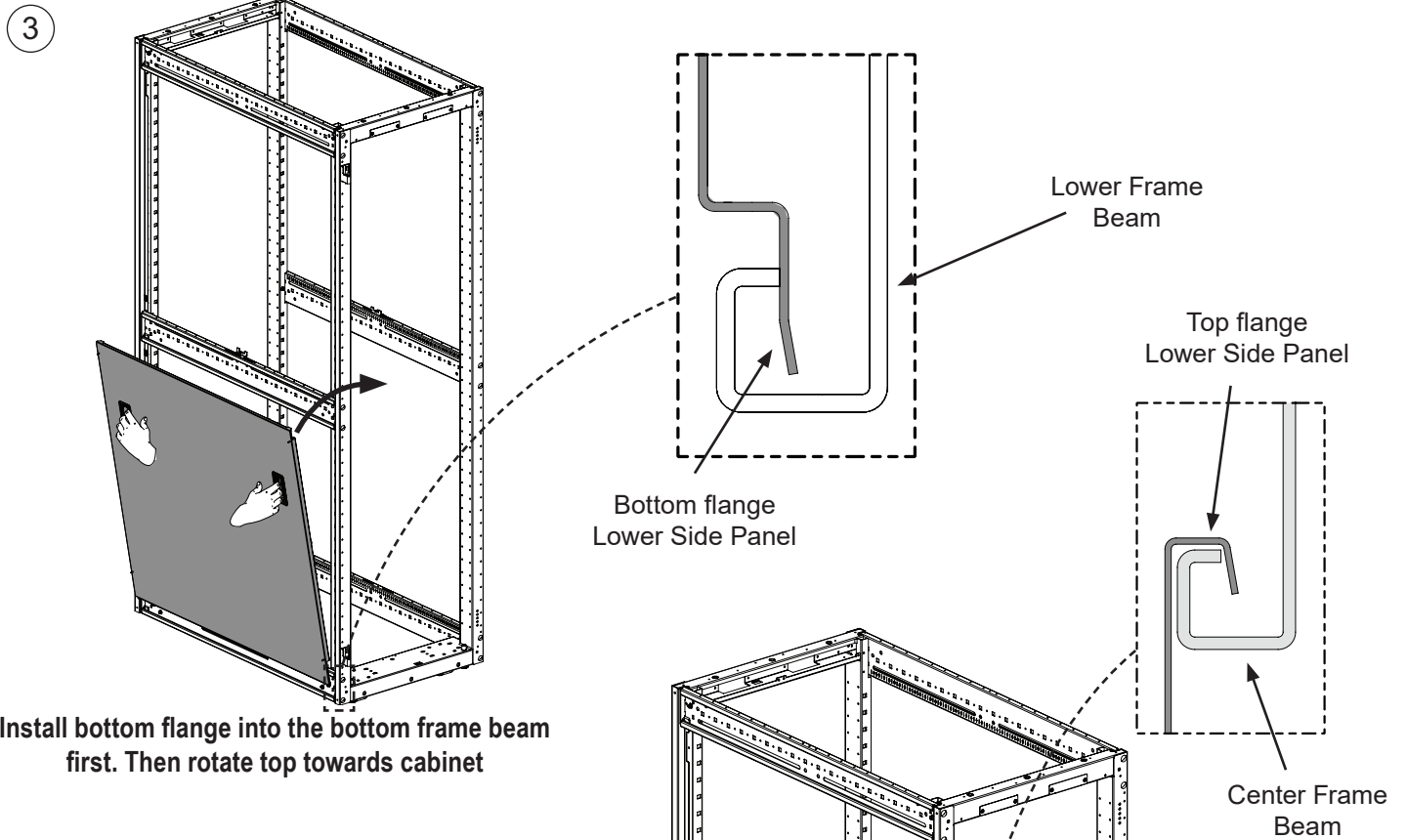
Install Lock Catch & Grounding Clips

- Install Lock Catch in orientation and location shown using (2) M5x0.8 x 12mm button head T25 Torx screws
- Install (4) grounding clips in location shown. Insert the u-shape of clip into the slots on frame and pull inwards

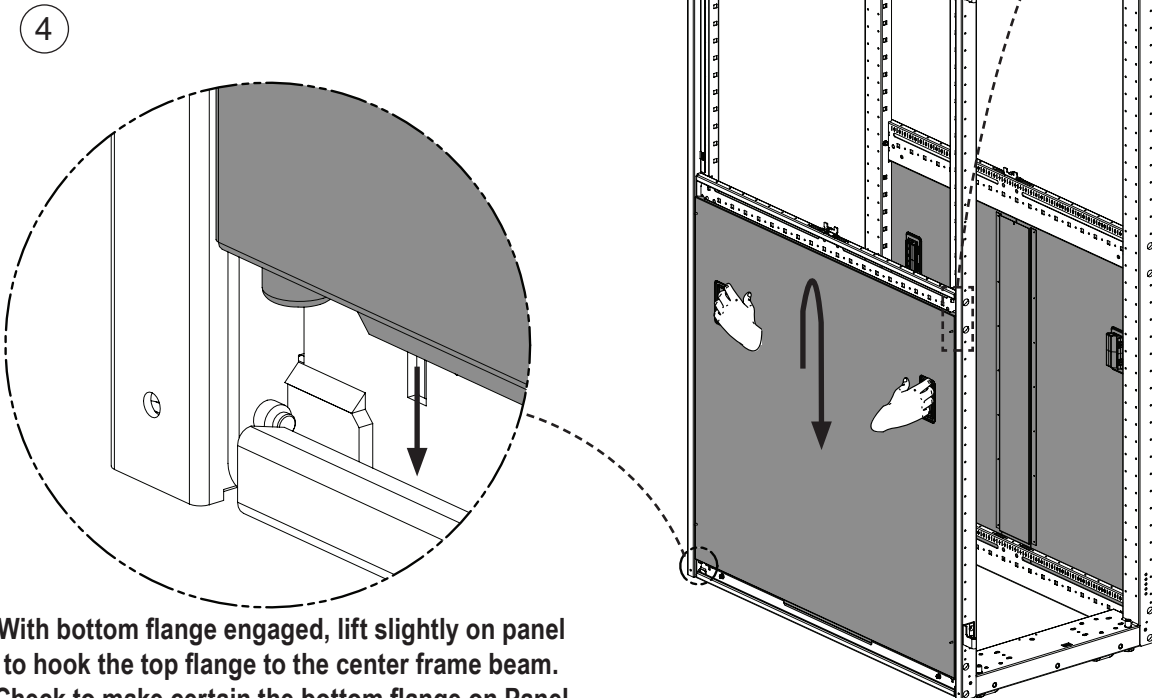


Lower Side Panel Installation

- Install the bottom flange of the Lower Side Panel into the Lower Beam as shown.
- Rotate Lower panel upwards and hook the top flange of the Lower Panel to the center frame beam as shown.



Install bottom flange into the bottom frame beam first. Then rotate top towards cabinet

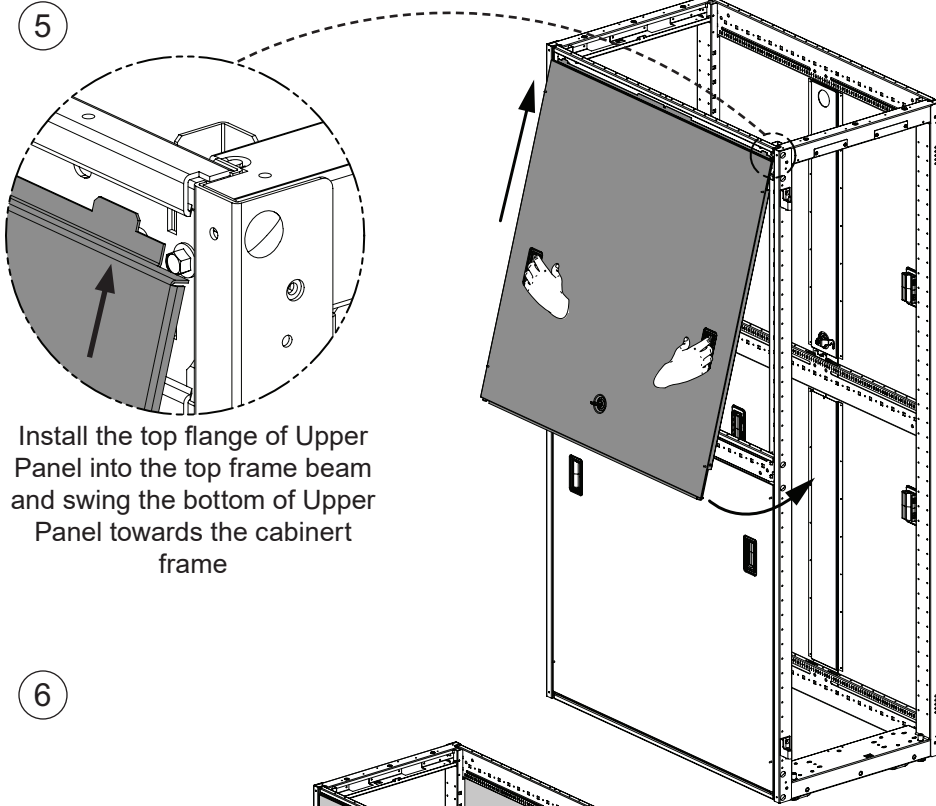


With bottom flange engaged, lift slightly on panel to hook the top flange to the center frame beam. Check to make certain the bottom flange on Panel stayed engaged to the Lower Frame Beam

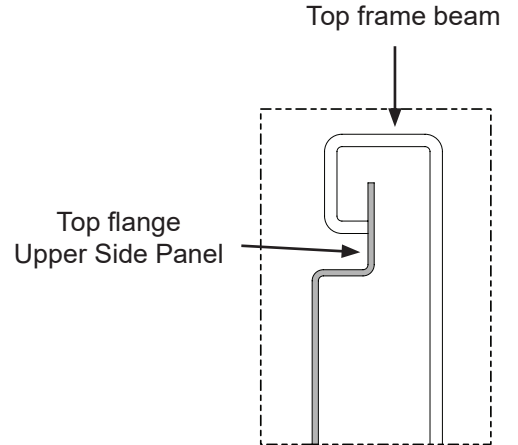
Upper Side Panel Installation

- Lower Panel must be installed before installing Upper Panel.
- Check to make certain the Upper Panel is in the unlocked position before installing onto cabinet.
- Leveling legs should be extended to prevent cabinet rolling on casters during Upper Panel installation.
- Install the top flange of the Upper Panel into the top frame beam. While holding Upper Panel tight to top frame beam, swing the bottom of the Upper Panel in and towards cabinet.
- Let Upper Panel's bottom flange drop down behind the Lower Panel's top flange.
- Lock Upper Panel.

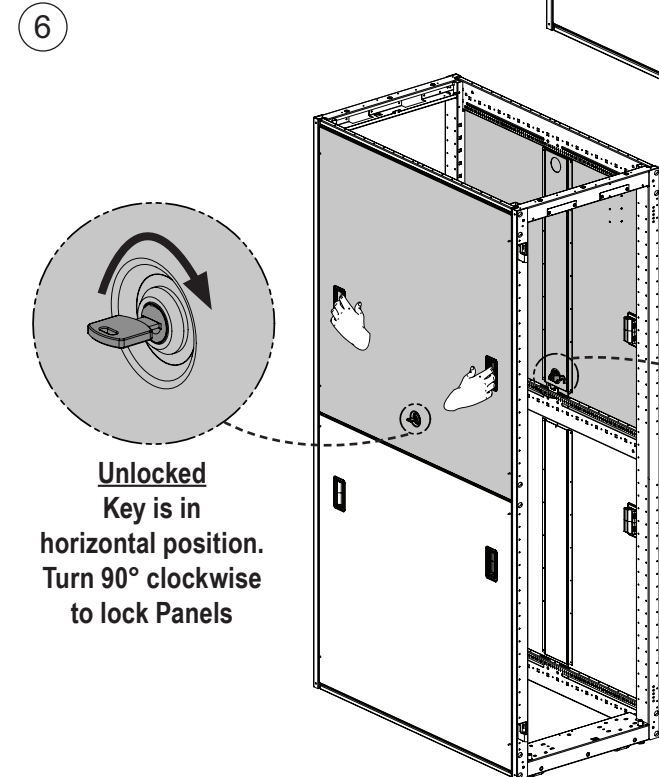
Reverse Steps 3 thru 6 to remove Side Panels. Upper Side Panel must be removed first.



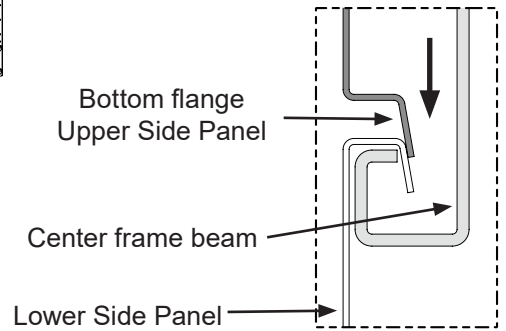
5
Install the top flange of Upper Panel into the top frame beam and swing the bottom of Upper Panel towards the cabinet frame



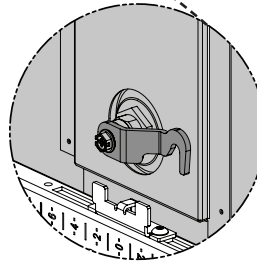
Section Side View of Top of Upper Panel



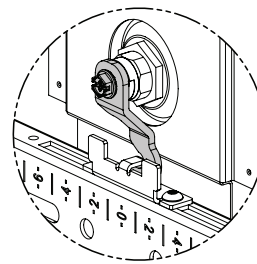
6
Unlocked
Key is in horizontal position. Turn 90° clockwise to lock Panels



Section Side View of Bottom of Upper Panel



Unlocked



Locked

For Instructions in Local Languages and Technical Support:

www.panduit.com/resources/install_maintain.asp

PANDUIT

www.panduit.com

E-mail: techsupport@panduit.com

Phone: 866-405-6654