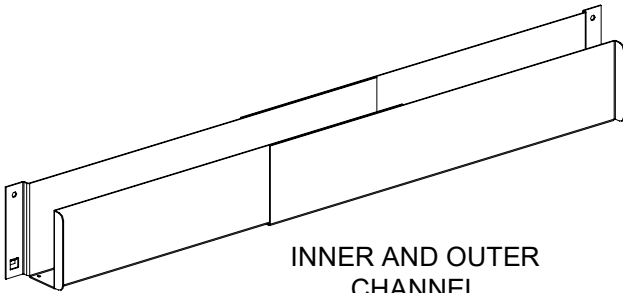
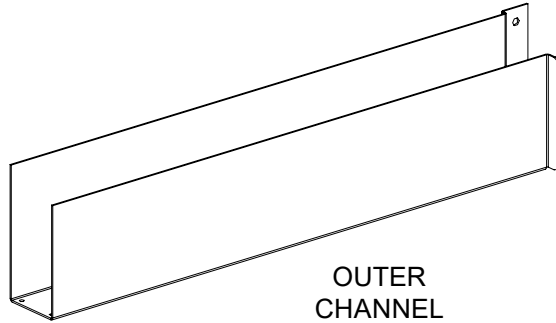


Tool List:

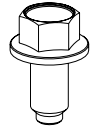
- 8mm Hex Driver



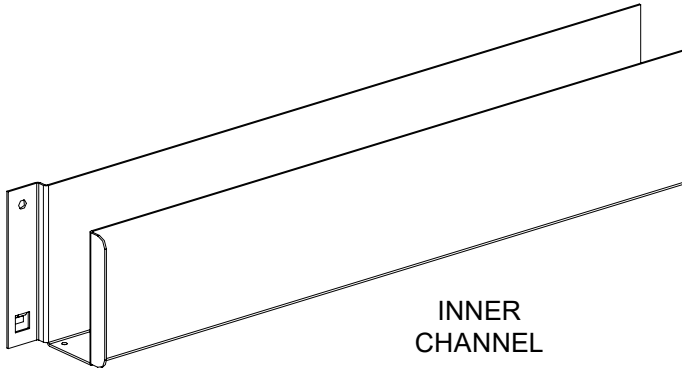
INNER AND OUTER
CHANNEL
ASSEMBLED



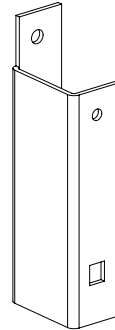
OUTER
CHANNEL



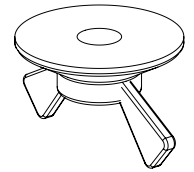
M5x0.8 x 10mm
Hex Head Screw
Qty: 4



INNER
CHANNEL

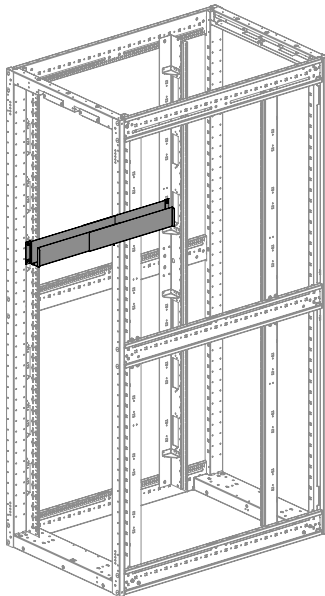


800mm
TROUGH ADAPTER
QTY. 2



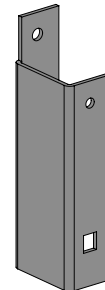
#10-32
Wing Flange Nut
Qty: 1

**Front to Back
Cable Manager
Installed on an
700mm wide
FLEXFUSION™
Cabinet**

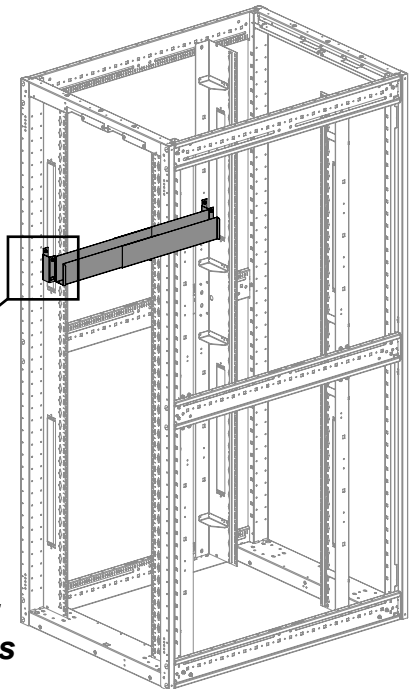


-NOTE- Cable Trough Lines up with pass through openings on the E-rails. Cable Trough can be installed on either the left or right side and at various locations along the vertical height of the cabinet.

**Front to Back
Cable Manager
Installed on an
800mm wide
FLEXFUSION™
Cabinet**

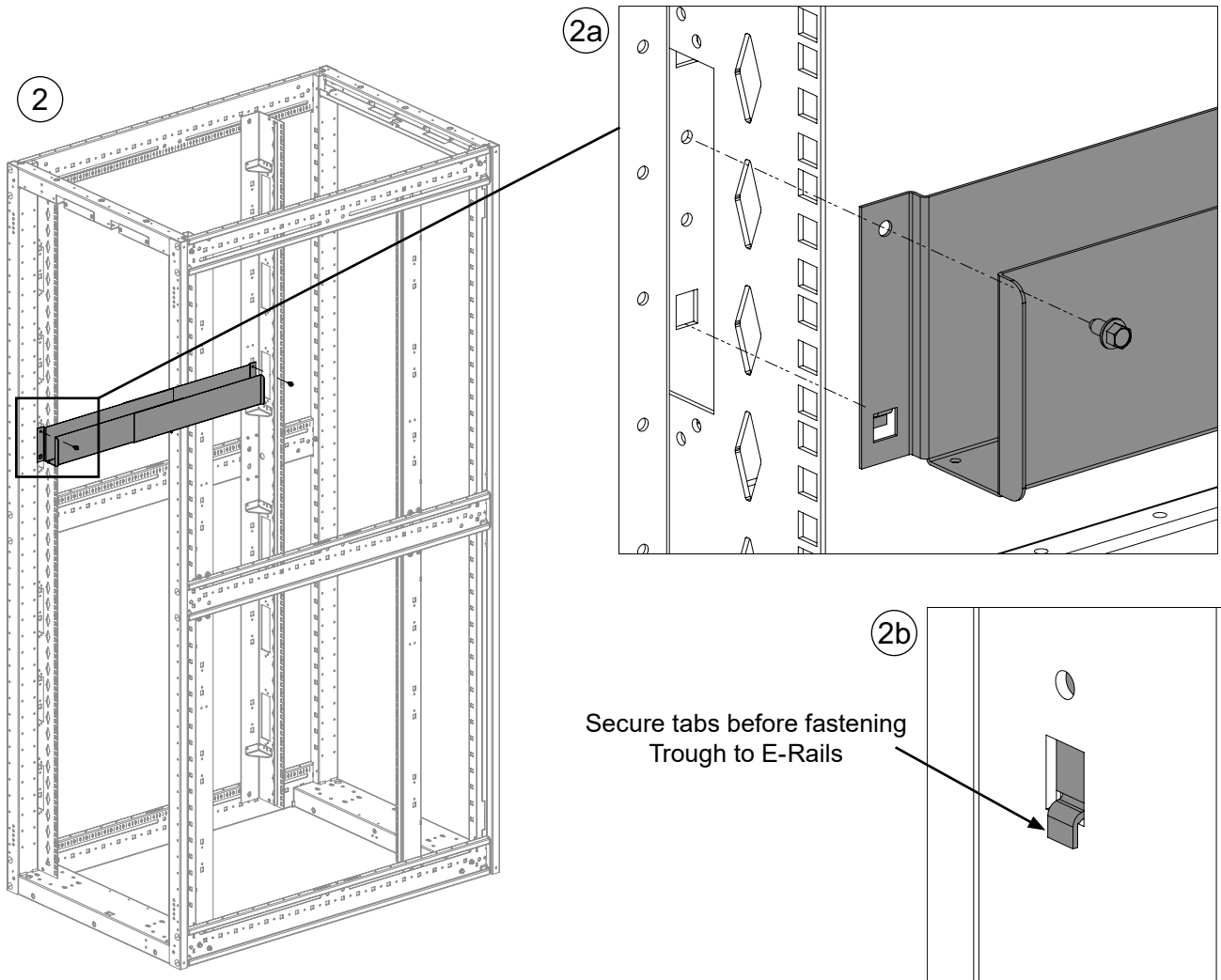
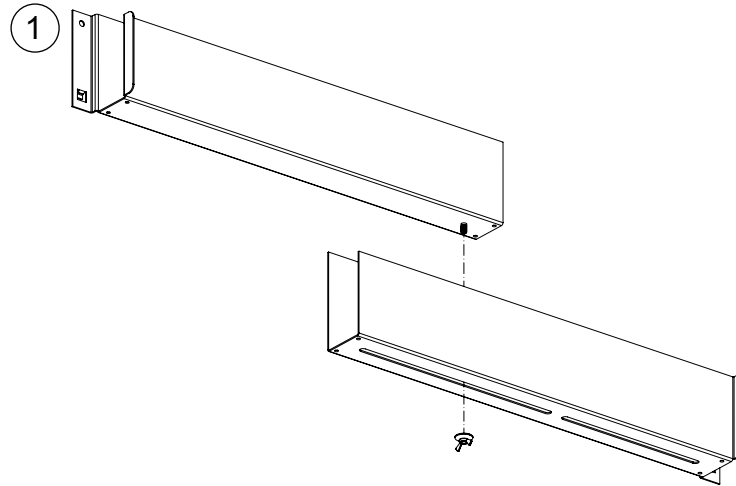


**800mm wide
Flexfusion™ Cabinet
requires both adapters**



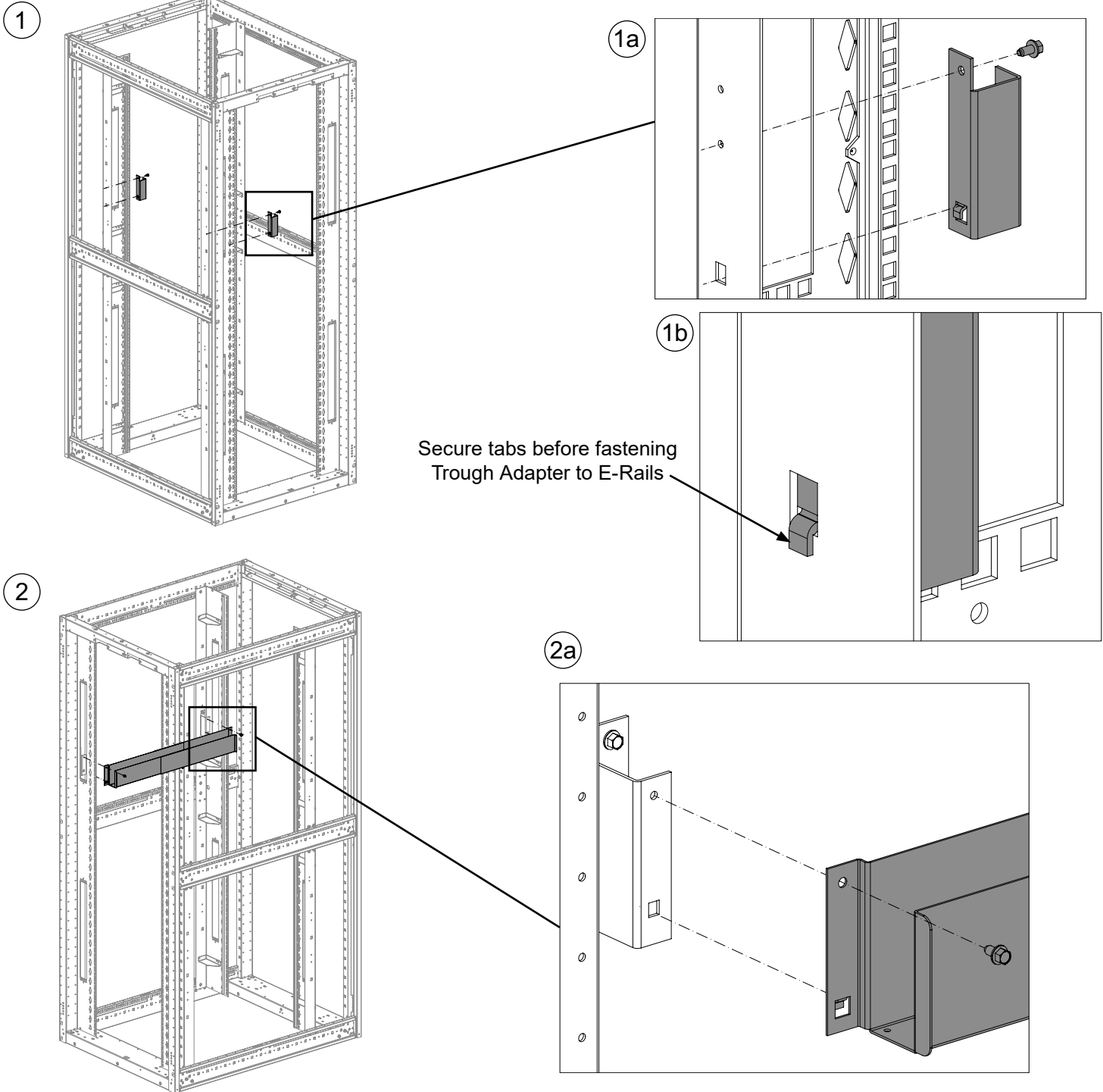
Install Front to Back Cable Manager on 700mm Cabinet

- Hand tighten outer channel to inner channel using (1) 10-32 wing flange nut. Leave the wing flange nut loose to allow for adjustability while installing Cable Trough on Cabinet.
- Install assembled Cable Trough to E-Rail making sure tab is secured before fastening Cable Trough using (2) M5x0.8 x 10mm Hex Head Screw
- Tighten the (1) 10-32 Wing Flange Nut securing the outer channel to the inner channel.



Install Front to Back Cable Manager on 800mm Cabinet

- Hand tighten outer channel to inner channel using (1) 10-32 wing flange nut. Leave the wing flange nut loose to allow for adjustability while installing Cable Trough on Cabinet.
- Install 800mm Trough adapter to E-Rail making sure tab is secured before fastening Trough adapter using (2) M5x0.8 x 10mm Hex Head Screw
- Install assembled Cable Trough to 800mm TroughE-Rail making sure tab is secured before fastening Cable Trough using (2) M5x0.8 x 10mm Hex Head Screw
- Tighten the (1) 10-32 Wing Flange Nut securing the outer channel to the inner channel.



For Instructions in Local Languages
and Technical Support:

www.panduit.com/resources/install_maintain.asp

PANDUIT
www.panduit.com

E-mail:
techsupport@panduit.com

Phone:
866-405-6654