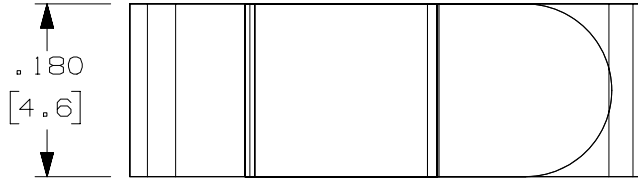
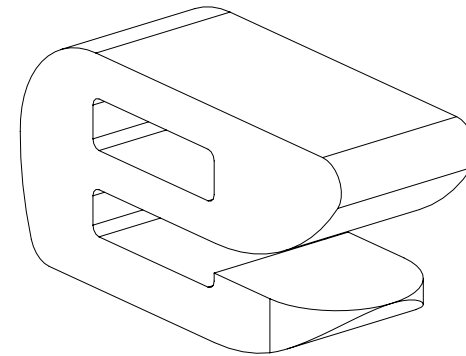
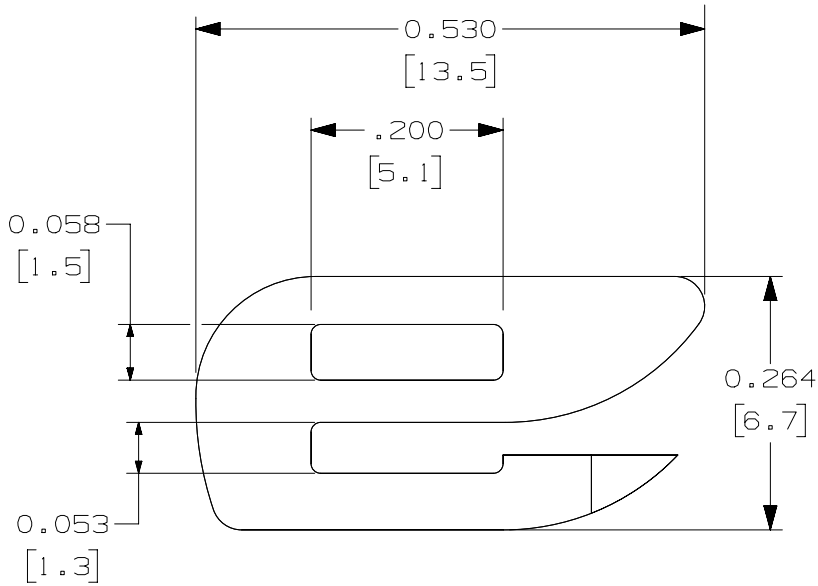


THIS COPY IS PROVIDED ON A RESTRICTED BASIS AND IS NOT TO BE USED IN ANY WAY DETRIMENTAL TO THE INTERESTS OF PANDUIT CORP.



PANDUIT PART NO.	WEIGHT lbs 100 (g) pcs	USE WITH ANY OF THESE CABLE TIE CROSS-SECTIONS
CROS- <u>  </u>	0.06 (27.22)	M, I, S



REV	DATE	BY	CHK	APR	DESCRIPTION	ECN
02A	12/7/2021	RVU	RMHI	JADE	REBUILD MODEL TO MATCH PHYSICAL PART.	GAECN04223
1	4/14/03	JAD			REDRAWN, CAD FILE LOST.	GB0239EI

TITLE <b>CROS OPEN CONNECTOR RING</b>		CUSTOMER DRAWING	
ITEM REVISION NAME G03597EW/02		<b>PANDUIT</b>	
DATASET FILE NAME G03597EW_DC/02A GB0239EI r02A CUST DWG			
UNLESS OTHERWISE SPECIFIED, DIMENSIONAL TOLERANCES ARE: IN (mm)		MATERIAL: <b>NYLON 6/6</b>	
.x ± .05 [1.3]      .xxx ± .010 [0.25]		DRAWING NUMBER: GB0239EI	
.xx ± .02 [0.5]      ANGLES ± 5°			
 THIRD ANGLE PROJECTION		SCALE NONE	
DRAWN BY JAD	DATE 4/14/03	CHK JHAC	SIZE A
SHT 1 OF 1			