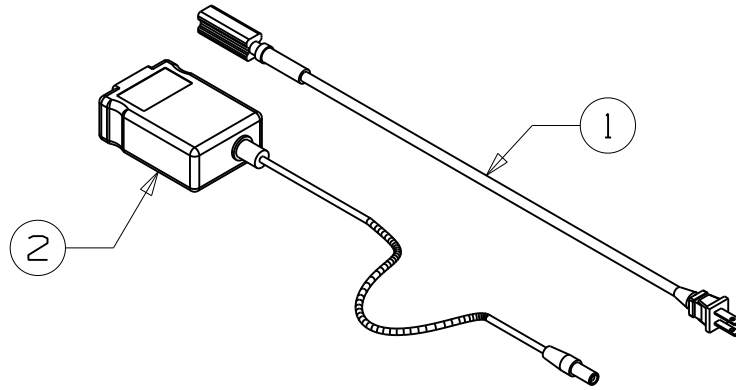
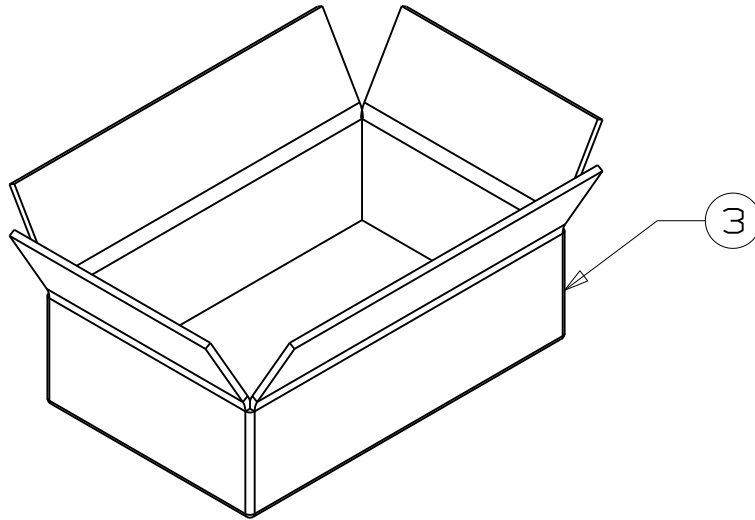


THIS COPY IS PROVIDED ON A RESTRICTED BASIS AND IS NOT TO BE USED IN ANY WAY DETRIMENTAL TO THE INTERESTS OF PANDUIT CORP.



ITEM NO.	DESCRIPTION	QTY.
1	North American Power Supply Cord	1
2	AC Adapter	1
3	PC-45 Package	1



CAD FILENAME/LAYERS 100318LW_DC_C10713/00A

PANDUIT CORP. TINLEY PARK, ILLINOIS

LS8E-ACS SUPPLIES

UNLESS OTHERWISE SPECIFIED,
DIMENSIONAL TOLERANCES ARE:
(.X) ± .1 (XXX) ± .010
(.XX) ± .050 ANGLES ±

UNLESS OTHERWISE SPECIFIED,
ALL DIMENSIONS ARE GIVEN
IN INCHES, THIRD ANGLE PROJECTION.

DRAWN BY
RVU

MAT'L:

SCALE

DATE
7/10/08

N/A

DRAWING NO.

C10713

DWG

A

SIZE

REV	DATE	BY	CHK	DESCRIPTION	ECN	R	CUST	SUP
0	8/5/08	RVU		DRAWING RELEASE.	5502	R		