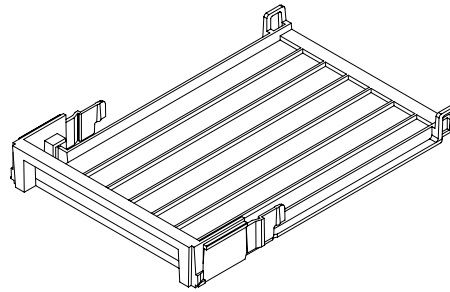
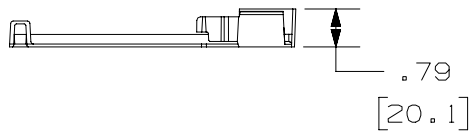
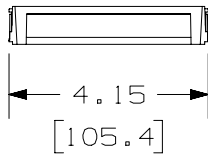
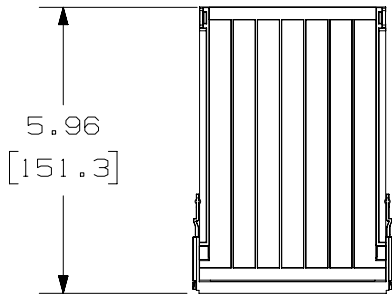


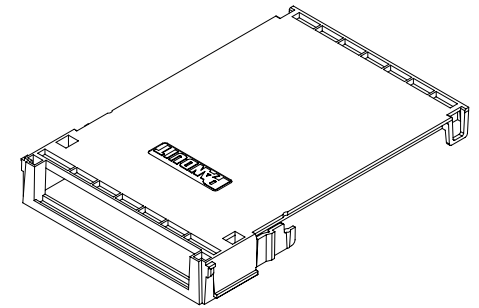
THIS COPY IS PROVIDED ON A RESTRICTED BASIS AND IS NOT TO BE USED IN ANY WAY DETRIMENTAL TO THE INTERESTS OF PANDUIT CORP.

NOTES:

1. VISIT OUR ON-LINE CATALOG AT WWW.PANDUIT.COM FOR APPLICABLE INSTALLATION INSTRUCTIONS.
2. DIMENSIONS IN [] ARE METRIC.
3. ALL MATERIALS AND COMPONENTS USED MEET THE MATERIAL RESTRICTIONS OF RoHS (EUROPEAN DIRECTIVE 2011/65/EU ON THE RESTRICTION OF HAZARDOUS SUBSTANCES) AS PROPOSED BY THE RoHS TECHNICAL ADAPTATION COMMITTEE.
4. COLOR: BLACK
5. FLEX-SFQ IS NOT COMPATIBLE WITH ANGLED QUICKNET SFQ PATCH PANELS



FLEX-SFQ IN CORRECT ORIENTATION FOR INSTALLATION



FLEX-SFQ IN UPSIDE DOWN ORIENTATION (CANNOT BE INSTALLED THIS WAY)

PART NUMBER		FLEX-SFQ		
TITLE				
HD FLEX CASSETTE ADAPTER FOR QUICKNET PATCH PANELS				
CUSTOMER DRAWING				
ITEM REVISION NAME		00381EAA/03		
DATASET FILE NAME		00381EAA_DC/03A		
		THIRD ANGLE PROJECTION		
MATERIAL		POLYCARBONATE		
DRAWING NUMBER		00381EAA-DC		
REV	DATE	BY	CHK	SCALE
03A	01-17-19	SAT	BJBE	NONE
DESCRIPTION		SHEET 1 OF 1		
ECN		A		

03A	01-17-19	SAT	BJBE	EJH	INITIAL RELEASE	00381EAA-DC
REV	DATE	BY	CHK	APR	DESCRIPTION	ECN

2

1

2

1

A-SIZE CUSTOMER

B

B

A

A