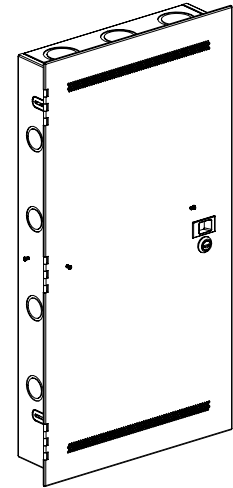
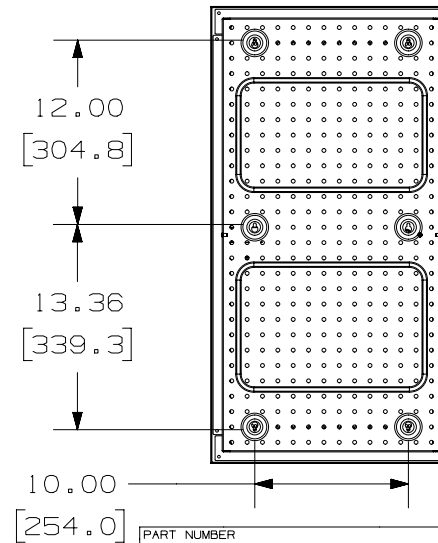
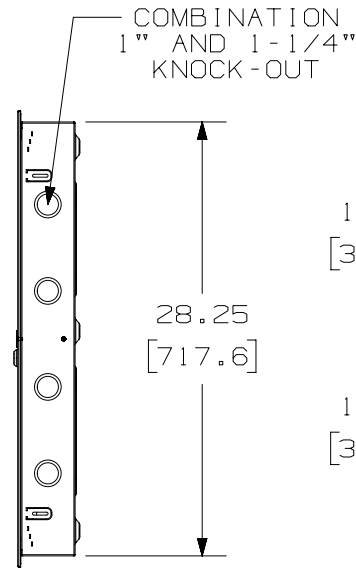
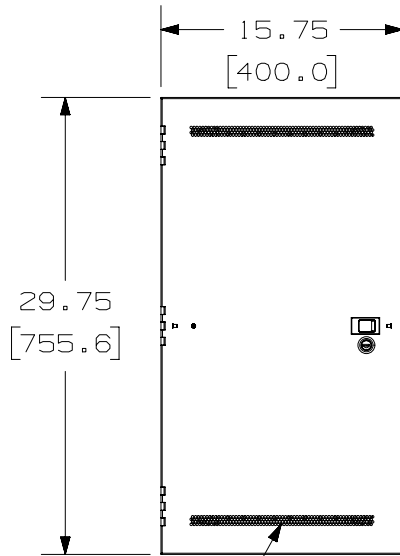
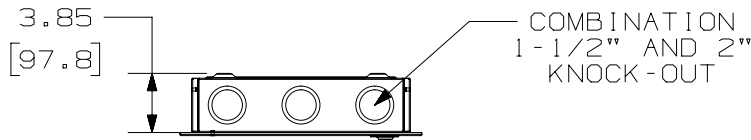


THIS COPY IS PROVIDED ON A RESTRICTED BASIS AND IS NOT TO BE USED IN ANY WAY DETRIMENTAL TO THE INTERESTS OF PANDUIT CORP.

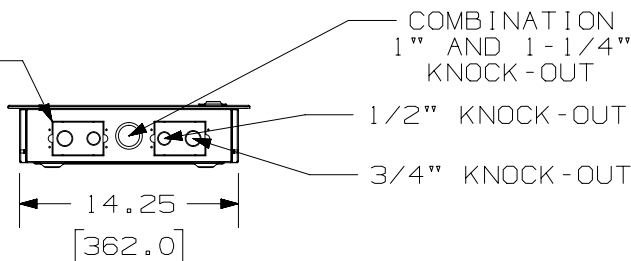
NOTES:

1. VISIT OUR ON-LINE CATALOG AT WWW.PANDUIT.COM FOR A LIST OF CURRENT PARTS APPLICABLE FOR USE WITH THIS PRODUCT.
2. DIMENSIONS IN [ ] ARE METRIC.
3. ALL MATERIALS AND COMPONENTS USED MEET THE MATERIAL RESTRICTIONS OF RoHS (EUROPEAN DIRECTIVE 2011/65/EU ON THE RESTRICTION OF HAZARDOUS SUBSTANCES) AS PROPOSED BY THE RoHS TECHNICAL ADAPTATION COMMITTEE.
4. WEIGHT: 19.3 lbs [ 8.75 kg ]
5. FINISH: WHITE POWDER COAT
6. LOAD RATING: 35 lbs [ 16 kg ]
7. PART INCLUDES:
  - (1) - WALL ENCLOSURE W/ DOOR AND LOCK
  - (1) - LOCK WITH (2) KEYS
  - (1) - ROLL OF GROMMET EDGING
  - (1) - PAINT/MUD GUARD



PERFORATED VENT

1-GANG OUTLET BOX KNOCK-OUT



PART NUMBER		<b>MS28EHDS</b>		
TITLE				
<b>28" MULTI-PURPOSE WALL MOUNTABLE ENCLOSURE WITH VENTED HINGED DOOR</b>				
CUSTOMER DRAWING				
ITEM REVISION NAME		01055EFU/03		
DATASET FILE NAME		01055EFU_DC/03A		
		THIRD ANGLE PROJECTION		
MATERIAL		18-GA STEEL		
DRAWING NUMBER		01055EFU-DC		
03A	8-3-23	TWV	KZU	TAM
RELEASED TO PRODUCTION				
M09000PC/08				
REV	DATE	BY	CHK	APR
DESCRIPTION				
ECN				
DRAWN BY	DATE	CHK	SCALE	SIZE
TWV	8-3-23	KZU	NONE	A
SHEET 1 OF 1				

A-SIZE CUSTOMER

2

1

2

1