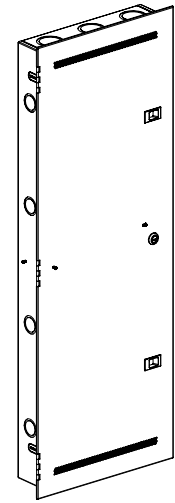
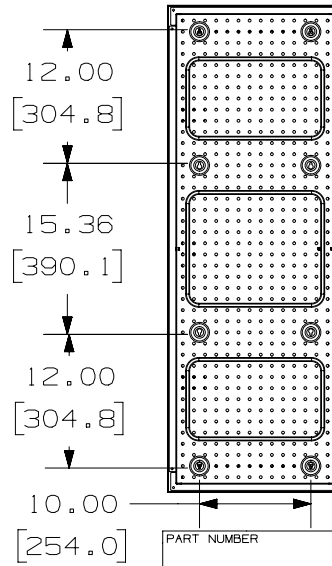
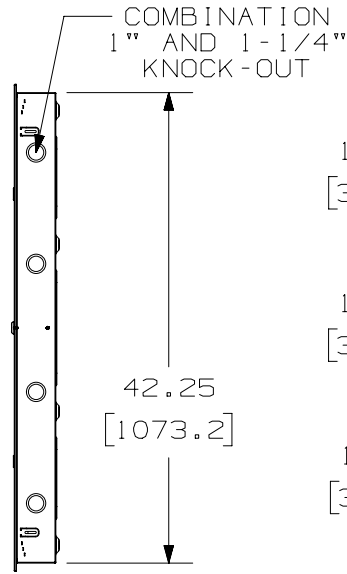
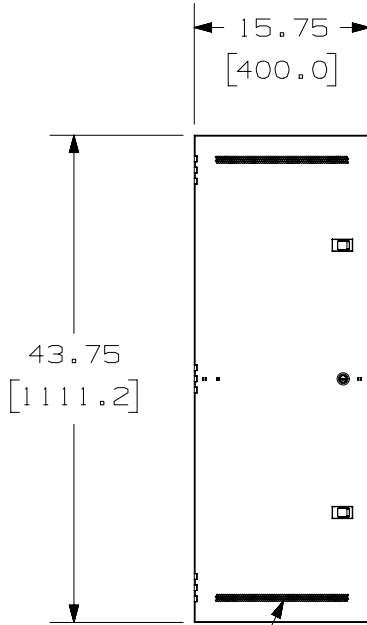
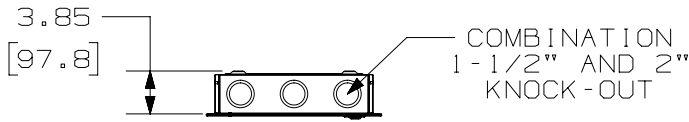


THIS COPY IS PROVIDED ON A RESTRICTED BASIS AND IS NOT TO BE USED IN ANY WAY DETRIMENTAL TO THE INTERESTS OF PANDUIT CORP.

NOTES:

1. VISIT OUR ON-LINE CATALOG AT [WWW.PANDUIT.COM](http://WWW.PANDUIT.COM) FOR A LIST OF CURRENT PARTS APPLICABLE FOR USE WITH THIS PRODUCT.
2. DIMENSIONS IN [ ] ARE METRIC.
3. ALL MATERIALS AND COMPONENTS USED MEET THE MATERIAL RESTRICTIONS OF RoHS (EUROPEAN DIRECTIVE 2011/65/EU ON THE RESTRICTION OF HAZARDOUS SUBSTANCES) AS PROPOSED BY THE RoHS TECHNICAL ADAPTATION COMMITTEE.
4. WEIGHT: 26.8 lbs [ 12.16 kg ]
5. FINISH: WHITE POWDER COAT
6. LOAD RATING: 35 lbs [ 16 kg ]
7. PART INCLUDES:

- (1) - WALL ENCLOSURE W/ DOOR AND LOCK
- (1) - LOCK WITH (2) KEYS
- (1) - ROLL OF GROMMET EDGING
- (1) - PAINT/MUD GUARD



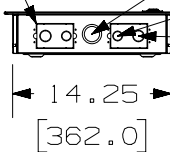
PERFORATED VENT

1-GANG OUTLET BOX KNOCK-OUT

COMBINATION 1" AND 1-1/4" KNOCK-OUT

1/2" KNOCK-OUT

3/4" KNOCK-OUT



PART NUMBER		<b>MS42EHDS</b>		
TITLE				
<b>42" MULTI-PURPOSE WALL MOUNTABLE ENCLOSURE WITH VENTED HINGED DOOR</b>				
CUSTOMER DRAWING				
ITEM REVISION NAME		01055EFV/03		
DATASET FILE NAME		01055EFV_DC/03A		
		<b>PANDUIT</b>		
MATERIAL		18-GA STEEL		
DRAWING NUMBER		01055EFV-DC		
REV	DATE	BY	CHK	SCALE
03A	8-3-23	TWV	KZU	NONE
DESCRIPTION		SHEET 1 OF 1		SIZE
RELEASED TO PRODUCTION		A		

03A	8-3-23	TWV	KZU	TAM	RELEASED TO PRODUCTION	M09000PC/08
REV	DATE	BY	CHK	APR	DESCRIPTION	ECN