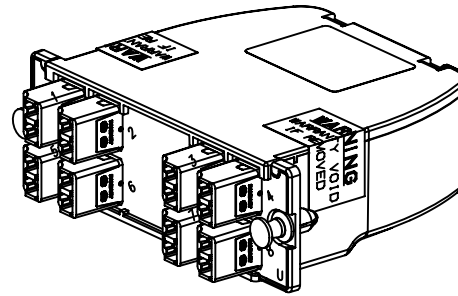
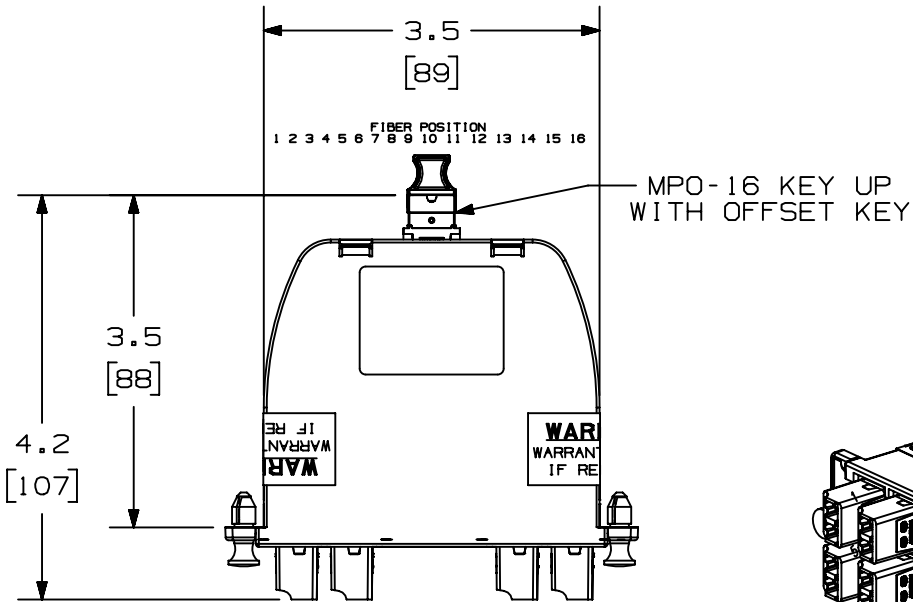
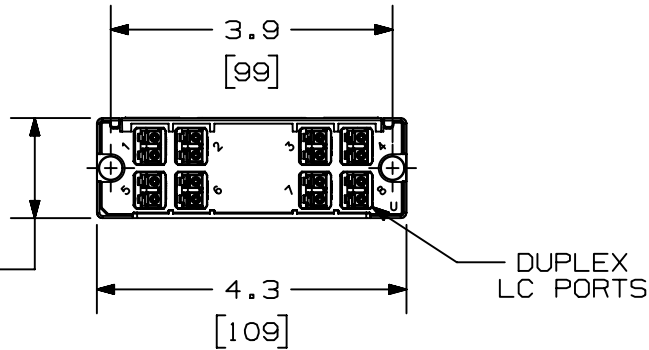


THIS COPY IS PROVIDED ON A RESTRICTED BASIS AND IS NOT TO BE USED IN ANY WAY DETRIMENTAL TO THE INTERESTS OF PANDUIT CORP.



- NOTES:
1. VISIT OUR ON-LINE CATALOG AT WWW.PANDUIT.COM FOR A LIST OF CURRENT PARTS APPLICABLE FOR USE WITH THIS PRODUCT.
 2. DIMENSIONS IN [] ARE METRIC.
 3. ALL MATERIALS AND COMPONENTS USED MEET THE MATERIAL RESTRICTIONS OF RoHS (EUROPEAN DIRECTIVE 2011/65/EU ON THE RESTRICTION OF HAZARDOUS SUBSTANCES) AS PROPOSED BY THE RoHS TECHNICAL ADAPTATION COMMITTEE.
 4. WEIGHT: 4.5oz (118g)



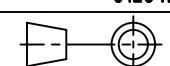
FIBER POSITION FROM LC END TO MPO END								
METHOD U MPO-16 CASSETTE (U)								
LC PORT NUMBER	1	2	3	4	5	6	7	8
MPO-16 #1	16	15	14	13	12	11	10	9
	1	2	3	4	5	6	7	8
METHOD U2 MPO-16 CASSETTE (U2)								
LC PORT NUMBER	1	2	3	4	5	6	7	8
MPO-16 #1	1	2	3	4	5	6	7	8
	16	15	14	13	12	11	10	9

PART NUMBER		SEE CHART	
TITLE			
OPTICOM MP016 - LC CASSETTE, UNIVERSAL			
CUSTOMER DRAWING			
ITEM REVISION NAME		01204NAA/01	
DATASET FILE NAME		01204NAA_DC/01B	
		THIRD ANGLE PROJECTION	
MATERIAL		DRAWING NUMBER	
		01204NAA-DC	
DRAWN BY	DATE	CHK	SCALE
SSP	09-26-23	PJI	NONE
SHEET 1 OF 2			SIZE
			A

REV	DATE	BY	CHK	APR	DESCRIPTION	ECN
01B	03-11-24	SSP	BJBE	MMN	REVISE GENERAL NOTES ADD FIBER POSITION CHART AND ADDITIONAL NOTES	V09002UC/07
01A	09-26-23	SSP	PJI	EJH	INITIAL RELEASE	V09002UC/03

THIS COPY IS PROVIDED ON A RESTRICTED BASIS AND IS NOT TO BE USED IN ANY WAY DETRIMENTAL TO THE INTERESTS OF PANDUIT CORP.

CASSETTE PART NUMBER	DESCRIPTION
FC3ZO-16M-10U	OM4 OPTICOM CASSETTE; 8-PORT DUPLEX LC TO (1) MPO16; OPTIMIZED LOSS; MALE MPO16; U CONNECTIVITY
FC3ZO-16M-10U2	OM4 OPTICOM CASSETTE; 8-PORT DUPLEX LC TO (1) MPO16; OPTIMIZED LOSS; MALE MPO16; U2 CONNECTIVITY
FC3SO-16M-10U	OM4+ OPTICOM CASSETTE; 8-PORT DUPLEX LC TO (1) MPO16; OPTIMIZED LOSS; MALE MPO16; U CONNECTIVITY
FC3SO-16M-10U2	OM4+ OPTICOM CASSETTE; 8-PORT DUPLEX LC TO (1) MPO16; OPTIMIZED LOSS; MALE MPO16; U2 CONNECTIVITY
FC39N-16M-10U	OS2 OPTICOM CASSETTE; 8-PORT DUPLEX LC TO (1) MPO16; STANDARD LOSS; MALE MPO16; U CONNECTIVITY
FC39N-16M-10U2	OS2 OPTICOM CASSETTE; 8-PORT DUPLEX LC TO (1) MPO16; STANDARD LOSS; MALE MPO16; U2 CONNECTIVITY
FC3WO-16M-10U	OM5 OPTICOM CASSETTE; 8-PORT DUPLEX LC TO (1) MPO16; OPTIMIZED LOSS; MALE MPO16; U CONNECTIVITY
FC3WO-16M-10U2	OM5 OPTICOM CASSETTE; 8-PORT DUPLEX LC TO (1) MPO16; OPTIMIZED LOSS; MALE MPO16; U2 CONNECTIVITY

PART NUMBER		SEE CHART	
TITLE			
OPTICOM MPO16 - LC CASSETTE, UNIVERSAL		CUSTOMER DRAWING	
ITEM REVISION NAME		01204NAA/01	
DATASET FILE NAME		01204NAA_DC/01B	
		THIRD ANGLE PROJECTION	
MATERIAL		DRAWING NUMBER	
		01204NAA-DC	
DRAWN BY	DATE	CHK	SCALE
SSP	09-26-23	PJI	NONE
REV		DATE	
BY		CHK	
APR		DESCRIPTION	
ECN		SHEET 2 OF 2	
		A	

SEE SHEET 1 FOR REVISIONS

B

B

A

A

A-SIZE CUSTOMER