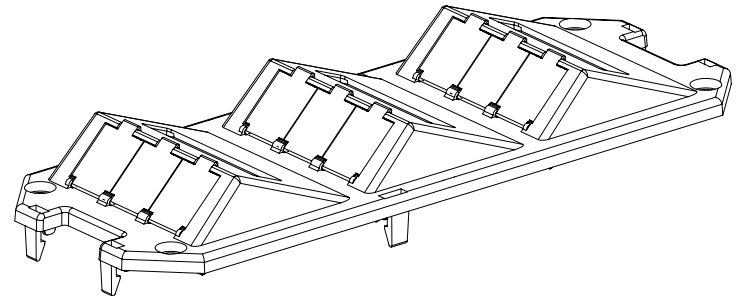


THIS COPY IS PROVIDED ON A RESTRICTED BASIS AND IS NOT TO BE USED IN ANY WAY DETRIMENTAL TO THE INTERESTS OF PANDUIT CORP.

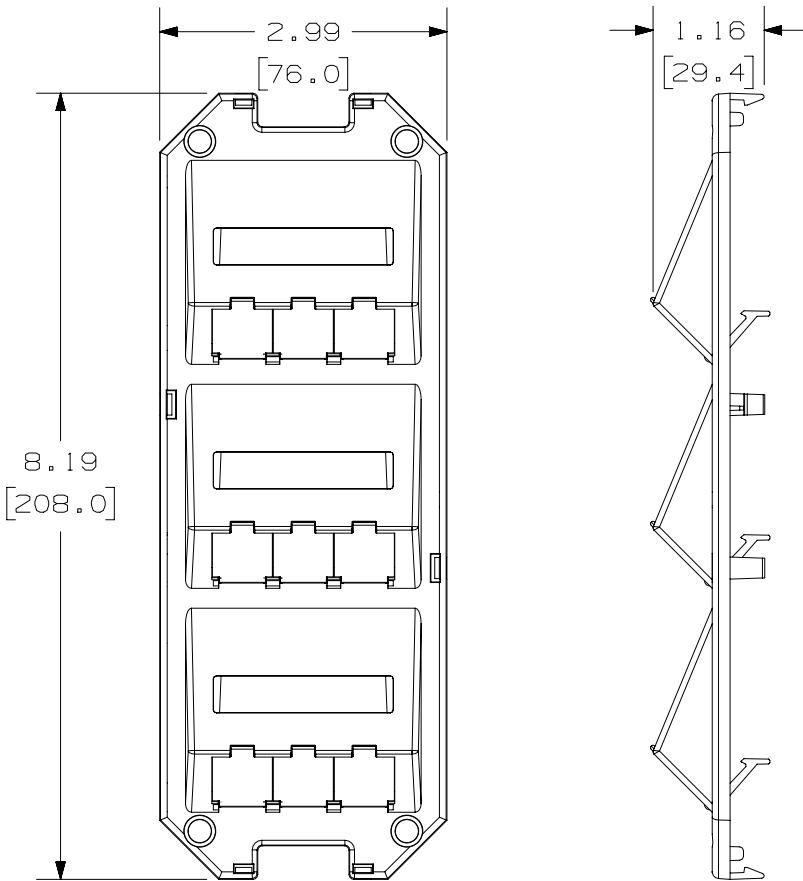
PANDUIT P/N	WEIGHT
CFPGEB9SBL	1.22 LB/10 PCS (554.4 g/10 PCS)

NOTES:

1. SEE CURRENT CATALOG FOR ADDITIONAL PART NUMBER SUFFIXES TO INDICATE COLOR AND OR PACKAGE QUANTITY.
2. SEE CATALOG FOR COMPLETE LIST OF PARTS APPLICABLE FOR USE WITH THIS PART.
3. DIMENSIONS IN PARENTHESES ARE IN METRIC.
4. PART INCLUDES:  
3- LABEL/LABEL COVER  
1- 9 POSITION FACEPLATE  
9- SHUTTER DOOR (ASSEMBLED TO FACEPLATE)
5. USE WITH OBO BETTERMANN UT4 UNIVERSAL SUPPORT, WITHOUT COVER PLATE SYSTEM  
ITEM # 7408725



\*NOTE: UT4 WITH NO COVER USED IN GES9 SERVICE OUTLETS BOTH OFFERED BY OBO BETTERMANN HOLDING GmbH & cO KG.



PART NUMBER		CFPGEB9SBL	
TITLE			
MINI-COM 9 POSITION SLOPED SHUTTERED FACEPLATE FOR UT4* UNIVERSAL SUPPORT			
CUSTOMER DRAWING			
ITEM REVISION NAME		M02162AA/01	
DATASET FILE NAME		M02162AA_DC/01A	
UNLESS OTHERWISE SPECIFIED, DIMENSIONAL TOLERANCES ARE: IN (mm)		MATERIAL:	
.x ± .xxx ± .010 (.3)		ABS	
.xx ± .03 (.8) ANGLES ±		DRAWING NUMBER:	
THIRD ANGLE PROJECTION		02162-02	
DRAWN BY	DATE	CHK	SCALE
JSP	2-9-05	MJD	NONE
SHT 1 OF 1			SIZE
			A

REV	DATE	BY	CHK	APR	DESCRIPTION	ECN
01A	5-20-24	MDJR	ROJC	JESA	B. UPDATED MODEL, PART NUMBER, NOTES AND DESCRIPTION.	02162-02
1	4/8/14	JSP	REFR	MMR	A. REVISED DRAWING TITLE BLOCK.	02162-02
R	2-9-05	JSP	MJD	MJD	RELEASED TO PRODUCTION	02162-02

D10100DA/14