

- SPECIFICATION**
- STANDARD:
 - UNIT TYPE: MI
 - ORIENTATION: VERTICAL, 0U FULL
 - OUTLET QTY & TYPE: (24)C13/C15, (24)C13/C15/C19/C21
 - INPUT VOLTAGE: 200-240/346-415VAC
 - INPUT CURRENT: 60A (48A DERATED) / 63A
 - BREAKER QTY & TYPE: (12) 20AMP, SINGLE-POLE
 - INPUT PHASE: 3 PHASE WYE, L-N
 - RATED POWER: DUAL-RATED: 34.6 / 43.5 KVA
 - INPUT PLUG: IEC 60309 3P+N+E 6h 60/63A (IP44)
 - REGULATORY STANDARD: RoHS COMPLIANT
 - ADDITIONAL:
 - CORD TYPE: 5W 6AWG SOOW & 16MM²H07RN-F
 - ACCESSORIES:
 - PRODUCT SAFETY WARNING SHEET

- NOTES**
- PRIMARY DIMENSIONS ARE IN MILLIMETERS, SECONDARY DIMENSIONS IN [INCHES]
 - FOR FULL PRODUCT FUNCTIONLTY REFER TO THE USER MANUAL.

TOOLLESS MOUNTING
BUTTON LOCATIONS
4 PL

18.5 DIA
[.728]
2 PL

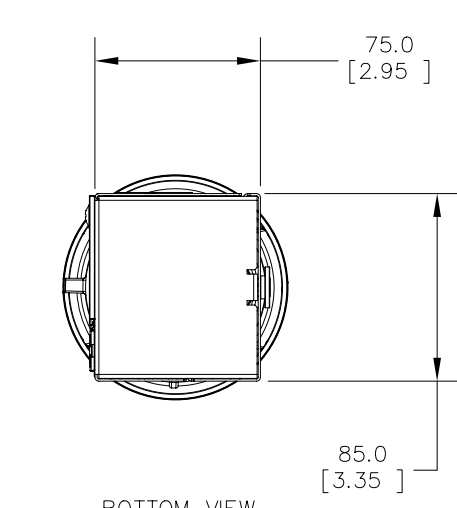
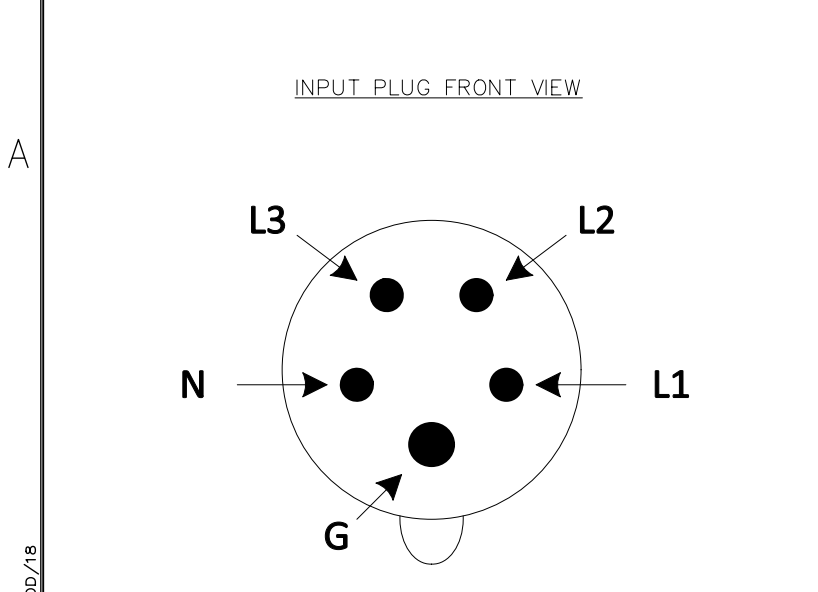
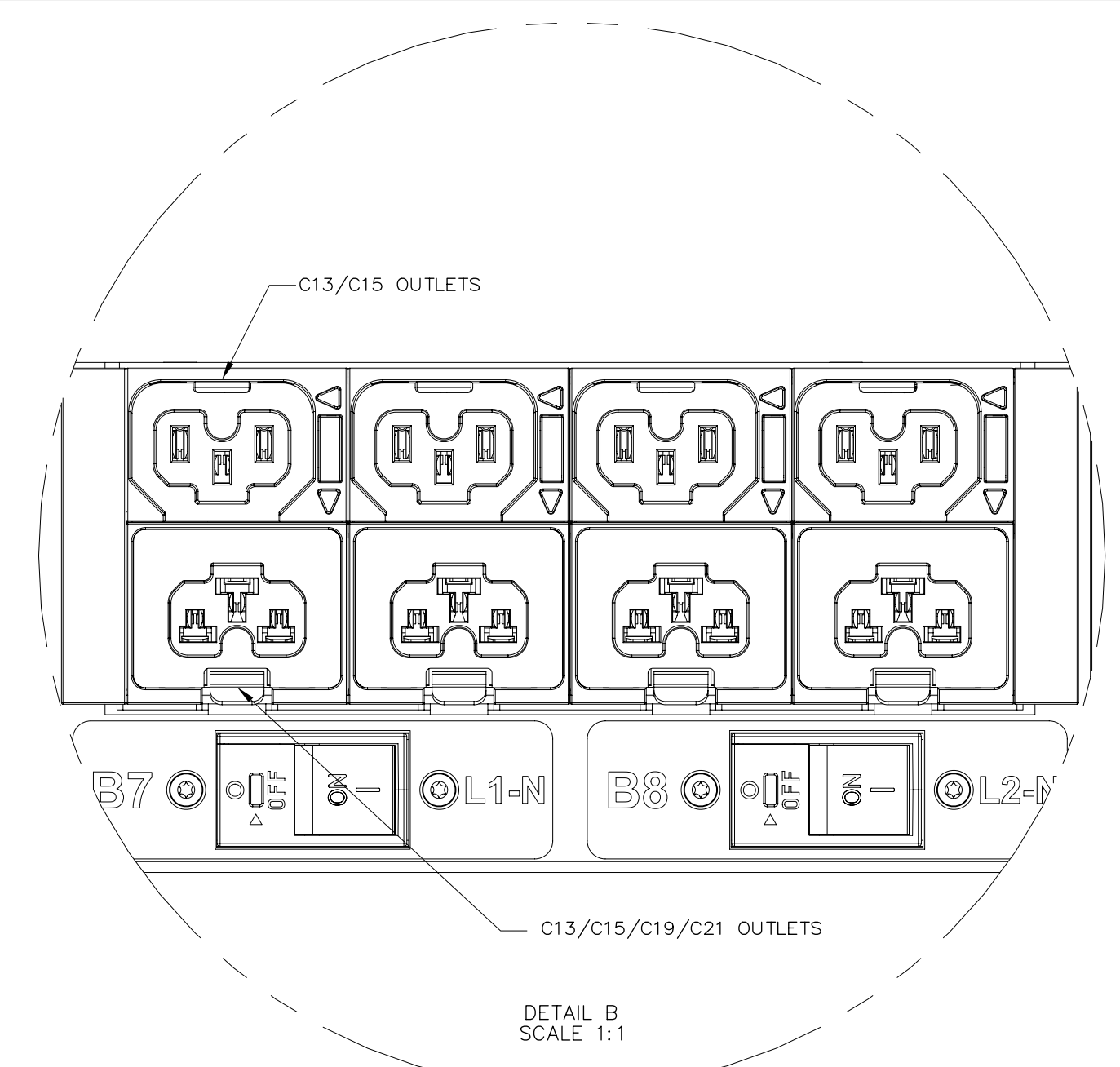
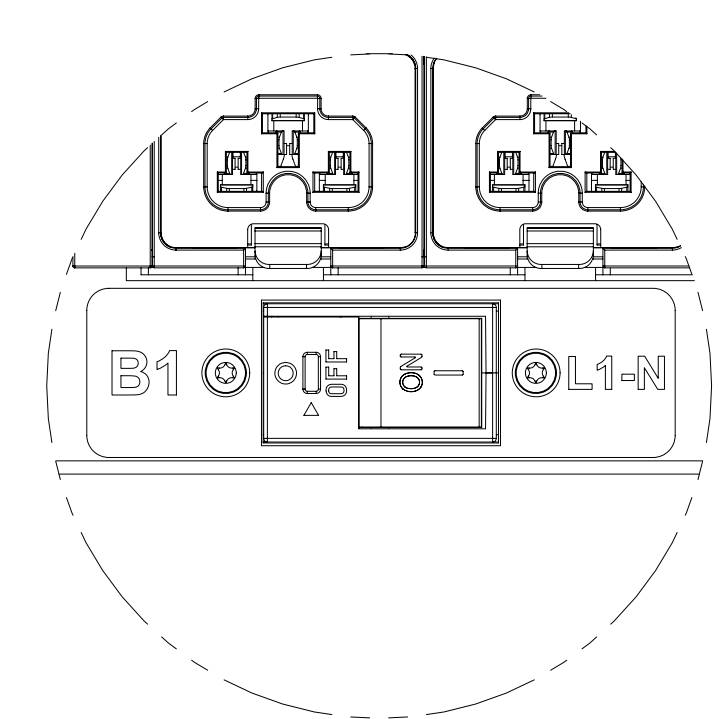


TABLE 1

PART NUMBER	DESCRIPTION	DIM A	COLOR (-XX)	SHIPPING WEIGHT (KG)
E48D31L	EL2P MI PDU, 60/63AMP, (24)C13/C15, (24)C13/C15/C19/C21, IEC 60309 3P+N+E 6h 60A/63A (IP44)	3000 +254/-127 [118.1 +10/-5]	BLACK (RAL 9005)	15.7



PANDUIT
18900 Panduit Drive, 60487, USA
www.panduit.com

Power Distribution Unit

SKU #: E48D31L-BLSC
Model #: E2Y063C0(EU)/E2Y048C0(NA)
INPUT: 200-240/346-415VAC, WYE, 3Ø, 50/60Hz, 63A(EU), OR 200-240/346-415VAC, WYE, 3Ø, 50/60Hz, 48A(NA)
OUTPUT: C13: 200-240VAC, 16A per outlet
C19: 200-240VAC, 16A per outlet
63A Total(EU) OR 48A Total(NA)

NOM NYCE FC CE

62368-1 CAN ICES-003(A)/NMB-003(A)

SKU: E48D31L-BLSC
SN: XXXXXXXXXXXX
MAC: XXXXXXXXXXXX
Made in China

REV	DATE	BY	CHK	APR	DESCRIPTION	ECN	FILE
00A	02/06/2025	LLJ	GLM	MJD	RELEASE TO PRODUCTION	E48D31L	E48D31L

ITEM REVISION NAME		E48D31L/00	
DATASET FILE NAME		E48D31L-DC/00A	
UNLESS OTHERWISE SPECIFIED, DIMENSIONAL TOLERANCES ARE: mm [IN]		MATERIAL	
DRAWING NUMBER: E48D31L-DC		NOT APPLICABLE	
DRAWN BY	DATE	CHK	SCALE
LLJ	02/06/2025	GLM	3:10
SHT 1 OF 1		D	