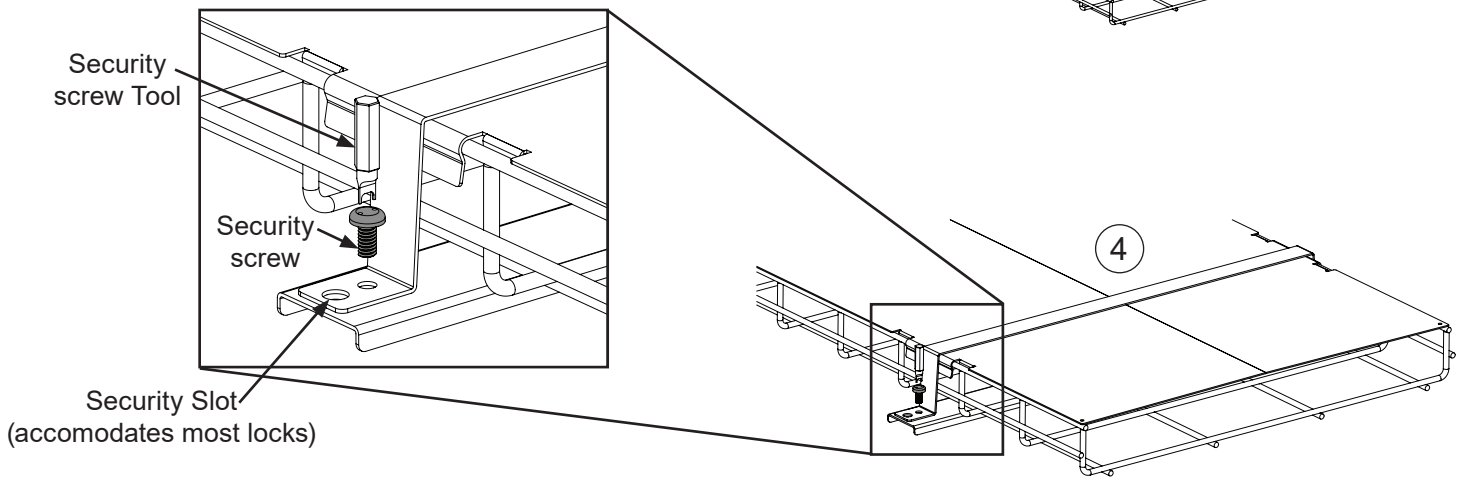
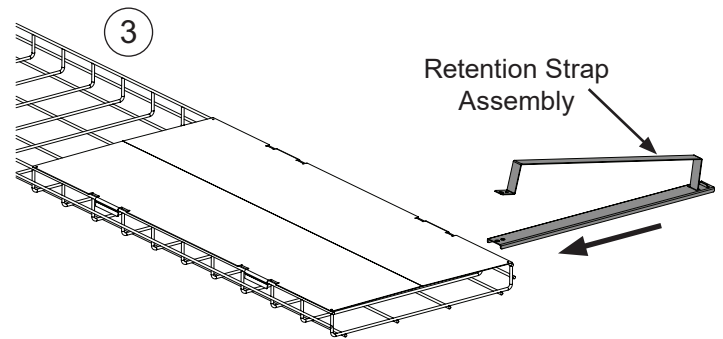
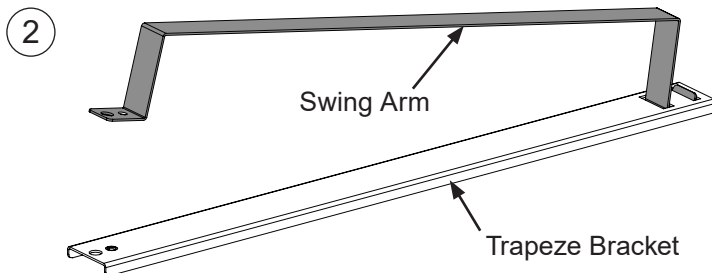
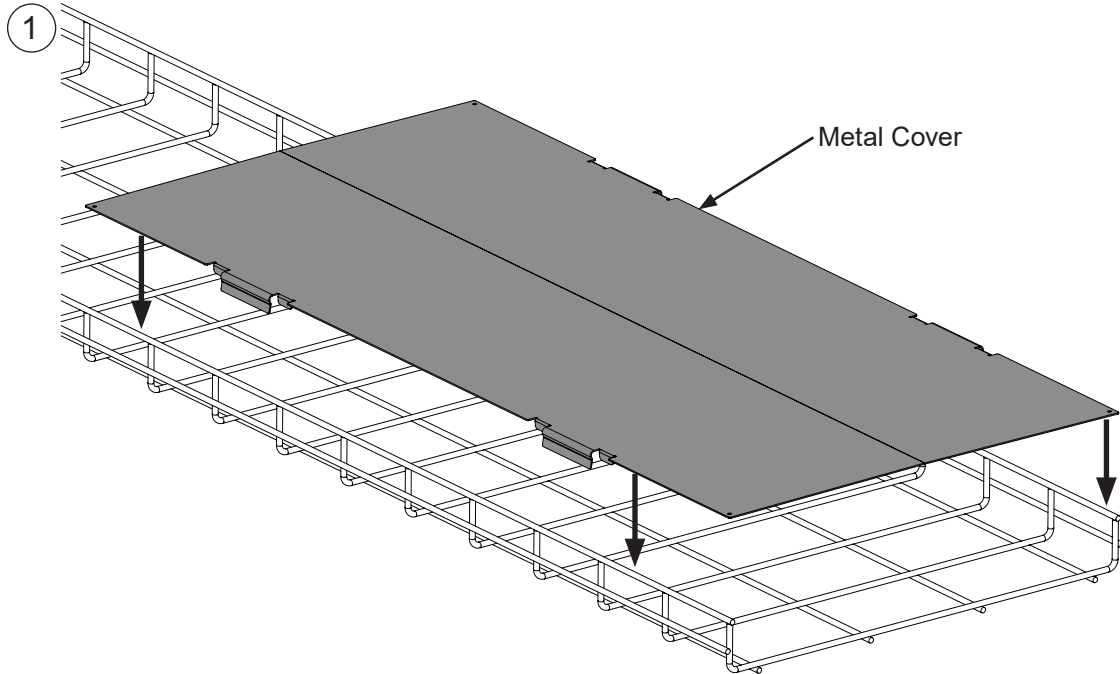


Installing Wire Basket Metal Cover with Retention Strap

- ① Insert Metal Cover onto Wire Basket
- ② Assemble Swing Arm to Trapeze Bracket
- ③ Slide Retention Strap Assembly over Metal Cover
- ④ Secure Metal Cover to Wire Basket using Security Screw and Security Screw Tool provided.
Repeat Steps 2, 3 & 4 for remaining Retention Strap Assembly (Each Metal Cover should have two Retention Strap Assemblies)



For Instructions in Local Languages
and Technical Support:

www.panduit.com

PANDUIT
www.panduit.com

E-mail:
techsupport@panduit.com

Phone:
866-405-6654