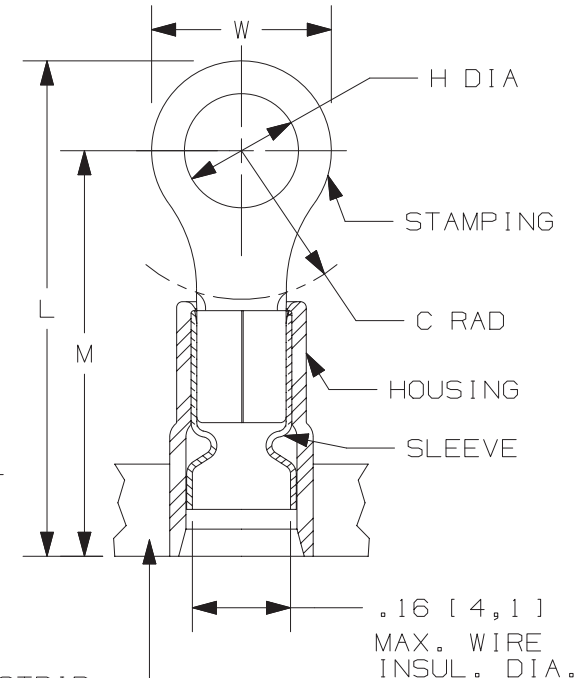


THIS COPY IS PROVIDED ON A RESTRICTED BASIS AND IS NOT TO BE USED IN ANY WAY DETRIMENTAL TO THE INTERESTS OF PANDUIT CORP.

PANDUIT PART #	STUD SIZE		DIMENSIONS in. [mm]					CA9 SERIES CRIMP DIE	CA-800(EZ) SERIES CRIMP DIE
	ENGLISH	METRIC	L ± .03 [0,8]	W ± .01 [0,3]	C ± .02 [0,5]	M ± .03 [0,8]	H ± .01 [0,3]		
PMNF2-3R-3K	--	M3	.76 [19,3]	.23 [5,8]	.20 [5,1]	.65 [16,5]	.13 [3,3]	CD9-2A	CD-800-2
PNF14-6R-3K	#6	M3,5	.87 [22,1]	.31 [7,9]	.24 [6,1]	.71 [18,0]	.15 [3,8]		
PNF14-6RN-3K	#6	M3,5	.78 [19,8]	.25 [6,4]	.18 [4,6]	.63 [16,0]	.15 [3,8]		
PNF14-8R-3K	#8	M4	.87 [22,1]	.31 [7,9]	.25 [6,4]	.71 [18,0]	.17 [4,3]		
PNF14-10R-3K	#10	--	.85 [21,6]	.31 [7,9]	.29 [7,4]	.71 [18,0]	.20 [5,1]		
PNF14-14R-3K	1/4"	M6	1.06 [27,0]	.46 [11,7]	.40 [10,2]	.85 [21,6]	.27 [6,9]		



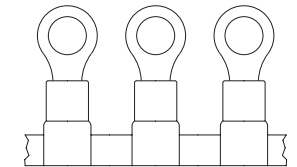
PRESS/APPLICATOR COMPATIBILITY CHART

PRESS	CP-871	CP-861
APPLICATOR	CA9 CA-800EZ	CA-800

NOTES:

- VISIT OUR ON-LINE CATALOG AT WWW.PANDUIT.COM FOR A LIST OF CURRENT PARTS APPLICABLE FOR USE WITH THIS PRODUCT.
- DIMENSIONS IN [ ] ARE METRIC.
- WEIGHT: .0033 - .0040 lb.
- PART INCLUDES:
  - A. STAMPING: .03" [0,8] THK COPPER, TIN PLATED
  - B. HOUSING: NYLON, BLUE
  - C. SLEEVE: BRASS, TIN PLATED
- cULus LISTED FOR:
  - A. #16-14 AWG [1,5-2,5 mm<sup>2</sup>] SOLID OR STRANDED COPPER WIRE
  - B. 221°F [105°C] MAX. OPERATING TEMPERATURE
  - C. 600 V. MAX. VOLTAGE RATING
- WIRE STRIP LENGTH: 1/4" <sup>+1/32</sup> [6,4<sup>+0,8</sup>]

CARRIER STRIP (CONFIGURATION MAY VARY)



PART NUMBER		SEE TABLE		
TITLE				
RING TERMINALS, 3 PC. NYLON FUNNEL INSULATED, #16-14, CONTINUOUS REEL				
CUSTOMER DRAWING				
ITEM REVISION NAME		N41144BA/11		
DATASET FILE NAME		N41144BA-DS r11A		
THIRD ANGLE PROJECTION				
MATERIAL		SEE NOTES		
DRAWING NUMBER		A41144		
REV	DATE	BY	CHK	APR
09	10-27-25	ANVM	DPOI	JSUN
08	07-14	MBY	JHNU	RGB
DESCRIPTION		ECN		
REMOVED USE UP PNF14-4R-3K AND OBSOLETE PMNF2-5R-3K		024455/00		
REMOVED MILITARY PART # AND CLASS COLUMN				
UPDATED NOTES AND TITLE BLOCK				
REVISED NOTES, MOVED TOOLS TO TABLE, REVISED CERTIFICATION		N41144BA-A41144		
DRAWN BY	DATE	CHK	SCALE	SIZE
FES	09-12-12	FS	NONE	A
SHEET 1 OF 1				

A-SIZE CUSTOMER