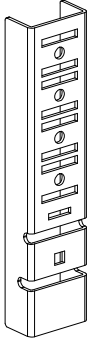
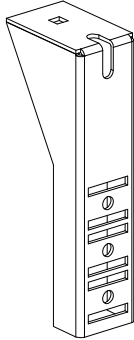


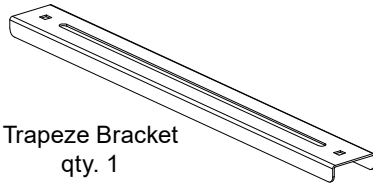
Components included:



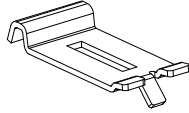
Direct Attach
Bracket
qty. 2



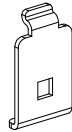
Adjustable Bracket
qty. 2



Trapeze Bracket
qty. 1



FiberRunner
Mount Clip
qty. 2



Bracket Clip
qty. 2

Hardware included:



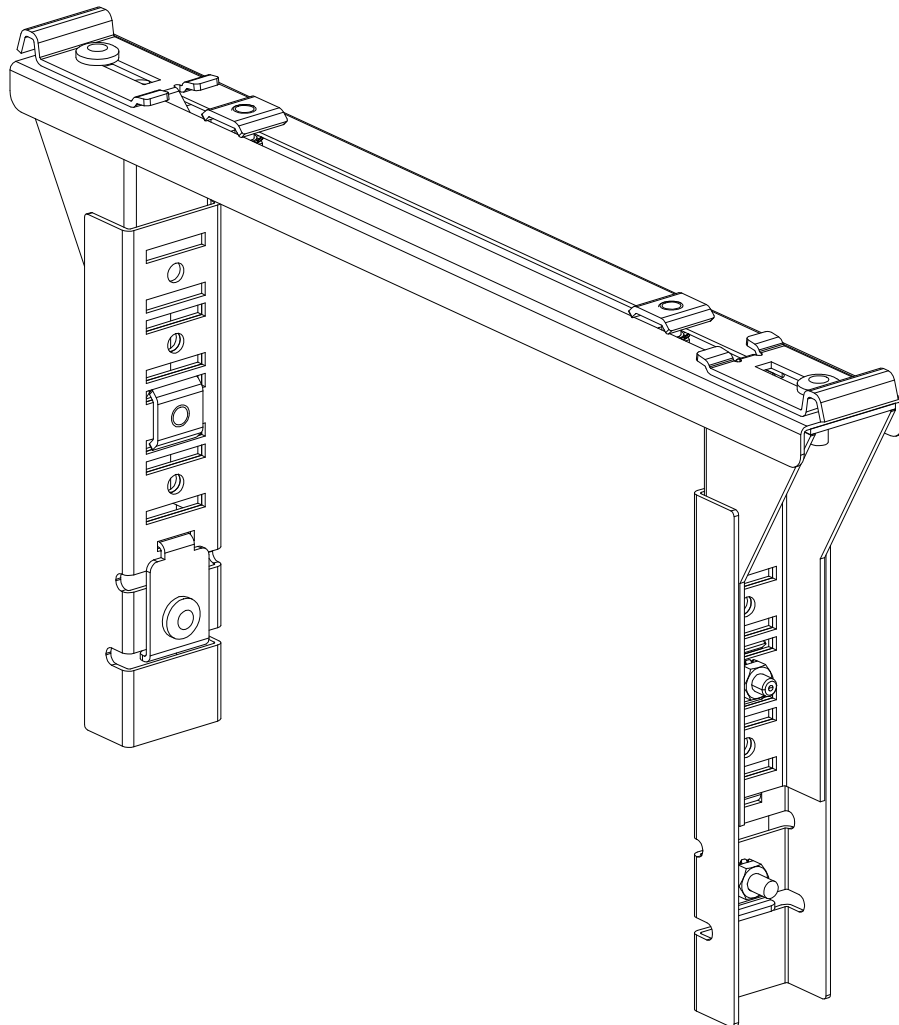
Carriage Bolt
qty. 6



Keps Nut
qty. 10

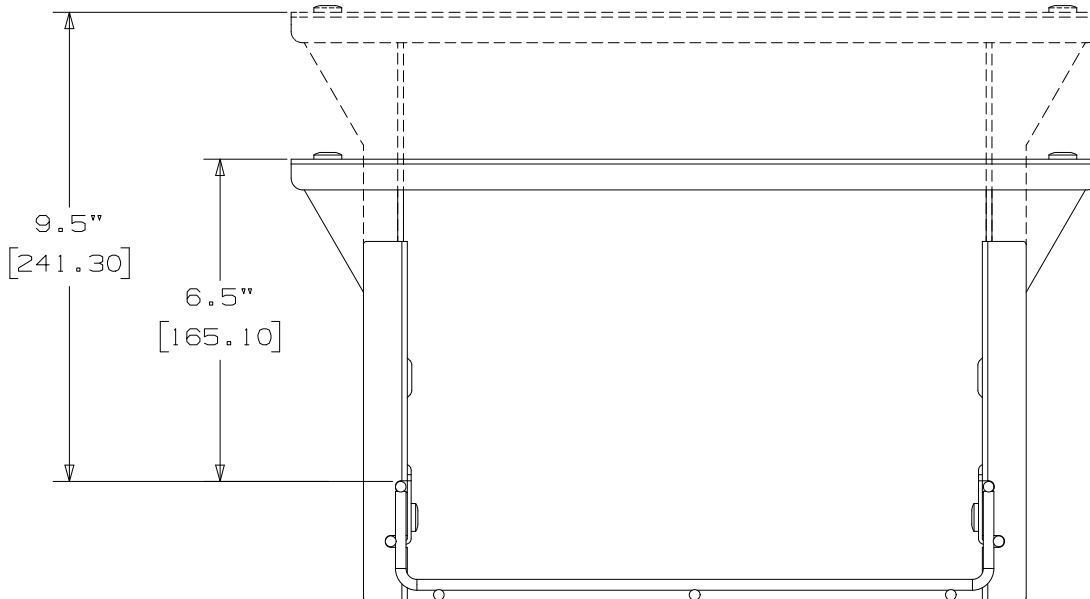
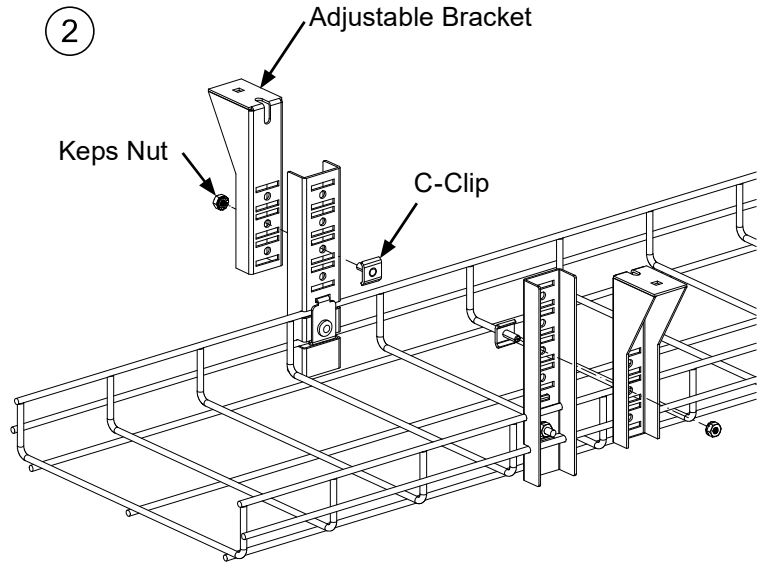
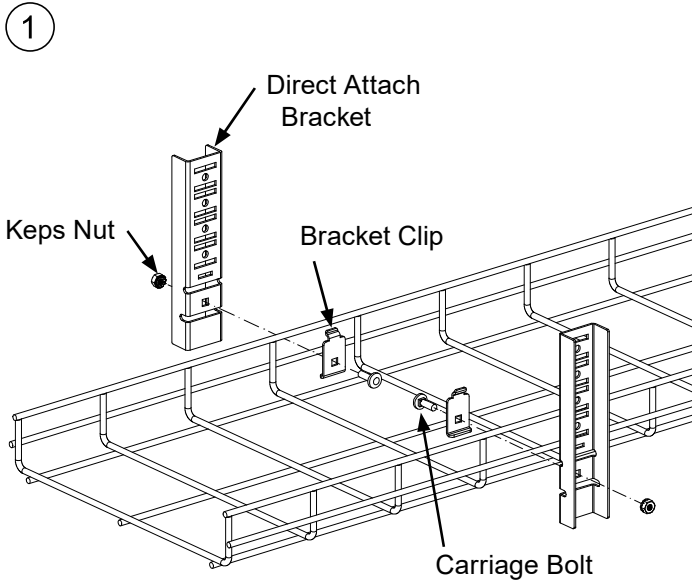


C-Clip
qty. 4



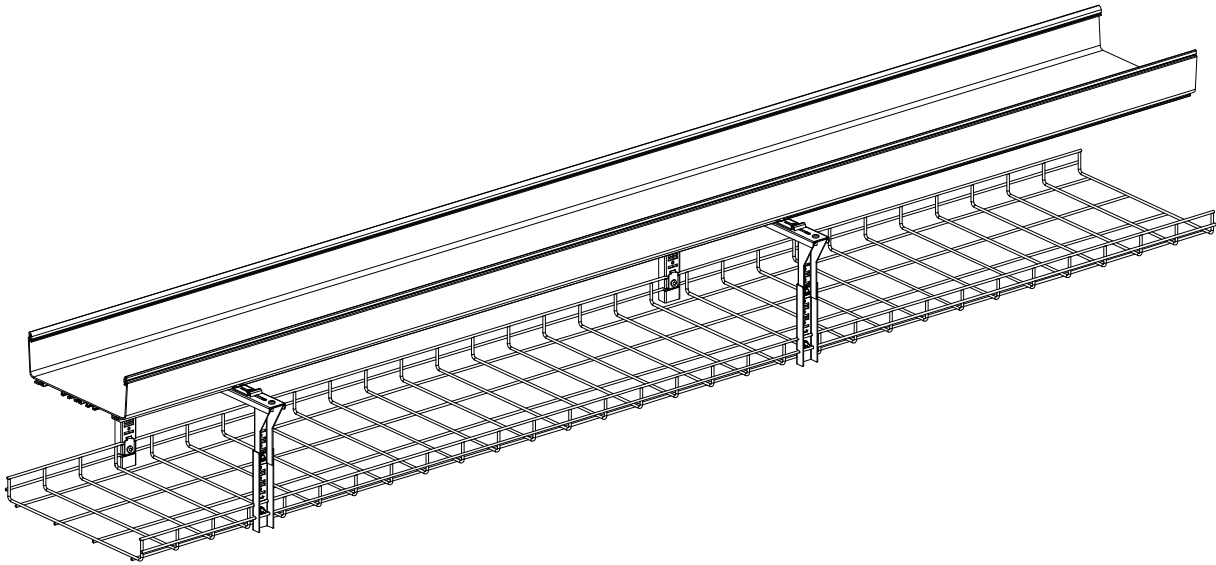
Installing Brackets to Wire Basket Side Wall

- Secure Direct Attach Bracket to Wire Basket Side Wall using (2) Carriage Bolts, (2) Bracket Clips and (2) Keps Nuts
- Secure Adjustable Bracket to Direct Attach Bracket using (2) C-Clips and (2) Keps Nuts



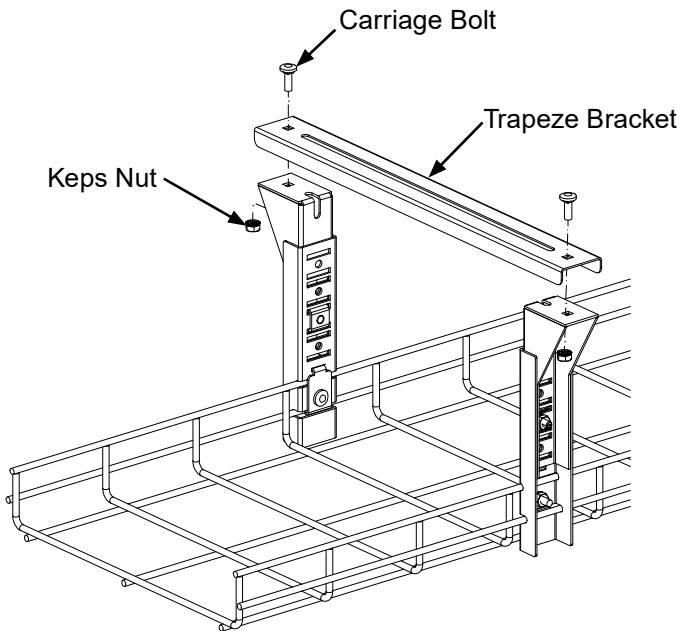
Method 1

Smaller width FiberRunner over Panduit Wire Basket



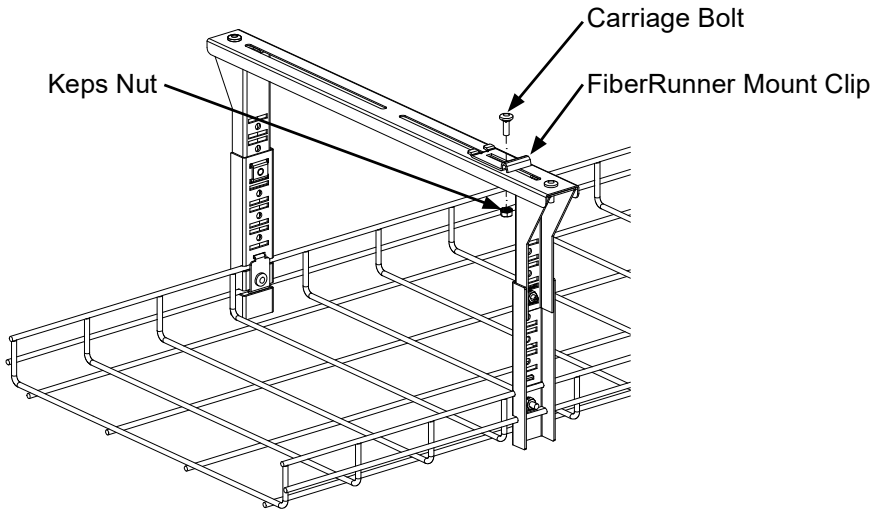
Installing Trapeze Bracket to Adjustable Brackets

- Secure Trapeze Bracket to Adjustable Brackets using (2) Keps Nuts and (2) Carriage Bolts



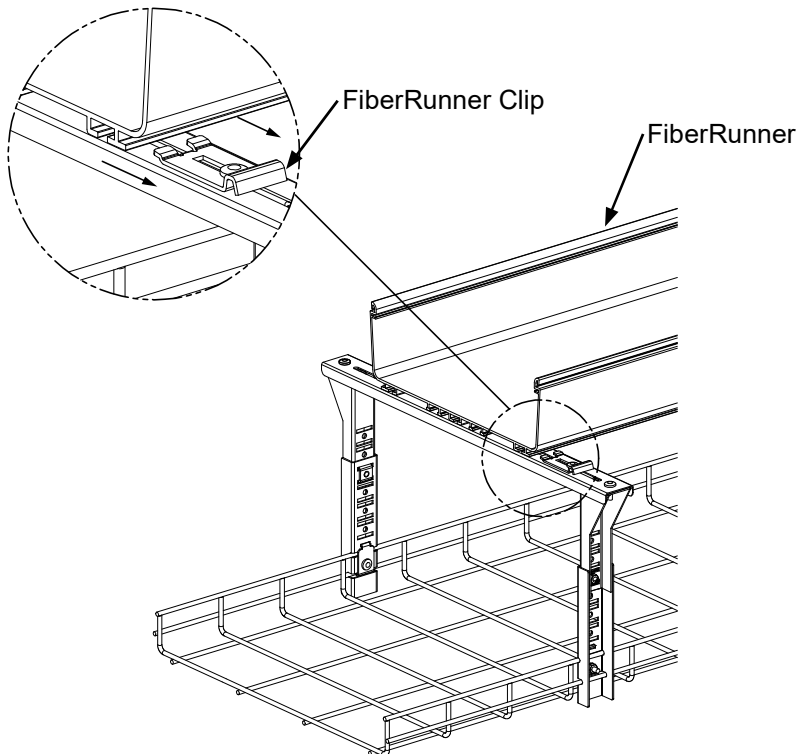
Installing FiberRunner Mount Clip to Trapeze Bracket

- Secure FiberRunner Mount Clip to Trapeze Bracket using (1) Keps Nut and (1) Carriage Bolt



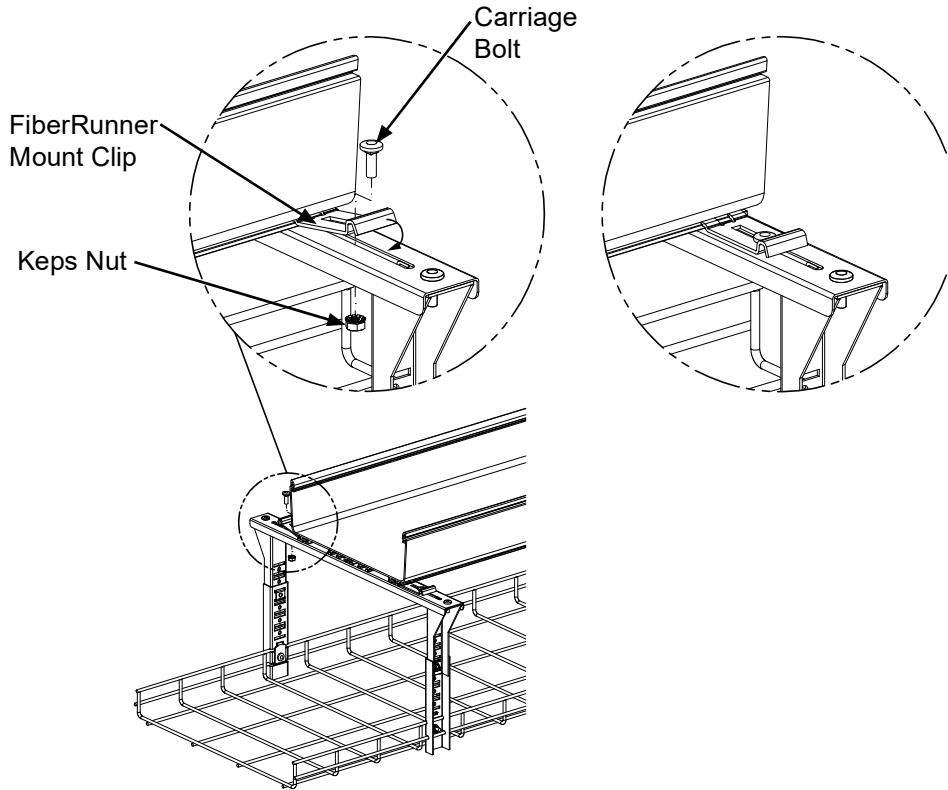
Installing FiberRunner to Trapeze Bracket

- Insert FiberRunner into FiberRunner Clip as shown below



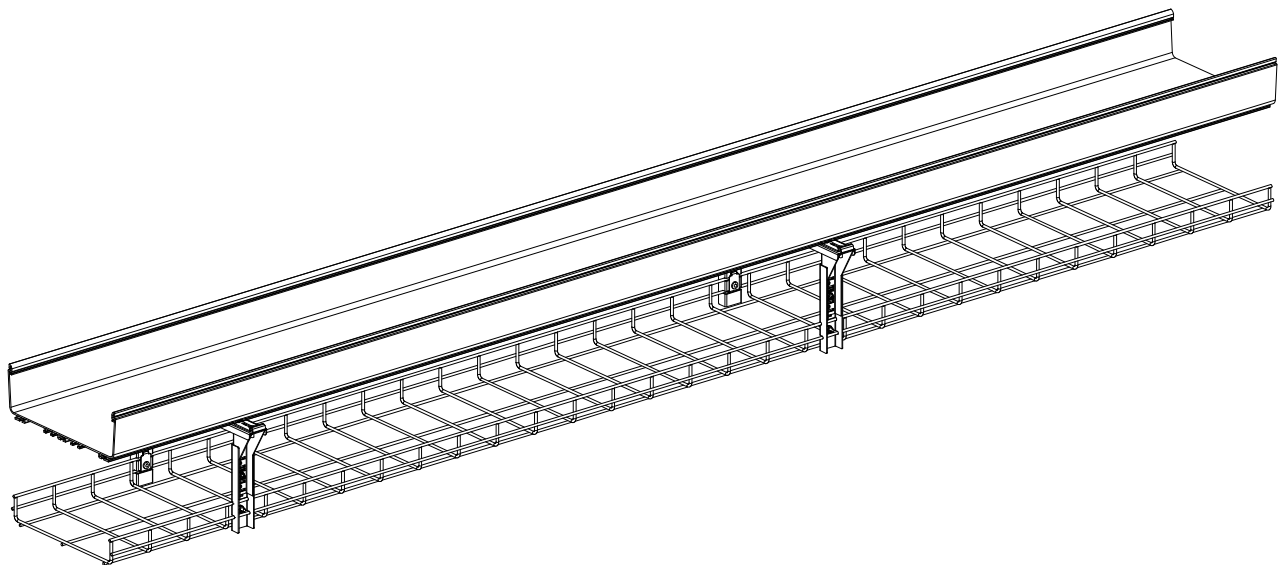
Installing FiberRunner to Trapeze Bracket

- Secure FiberRunner to Trapeze Bracket using (1) Carriage Bolts, (1) FiberRunner Mount Clips and (1) Keps Nuts



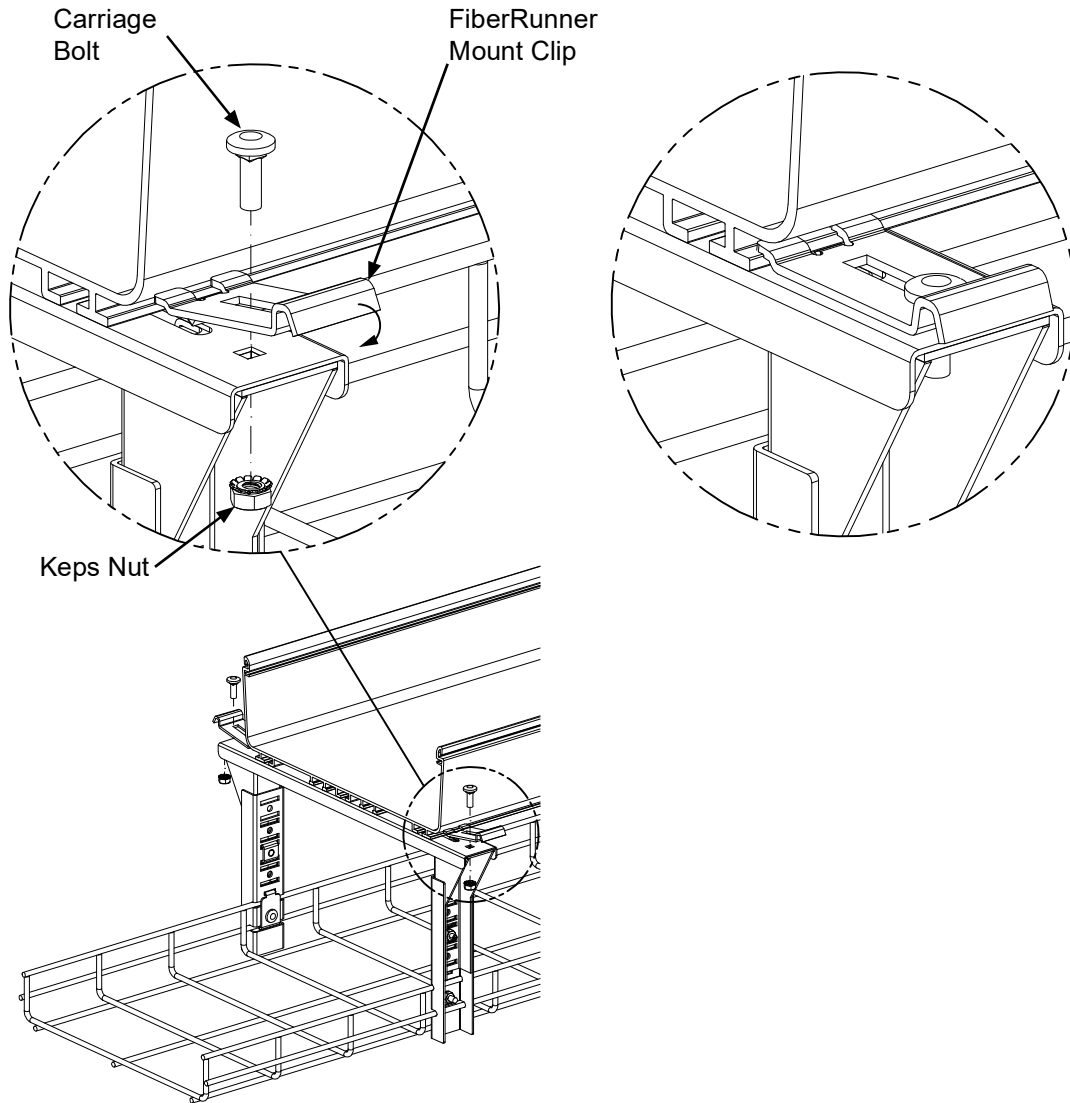
Method 2

Same size FiberRunner over Panduit Wire Basket



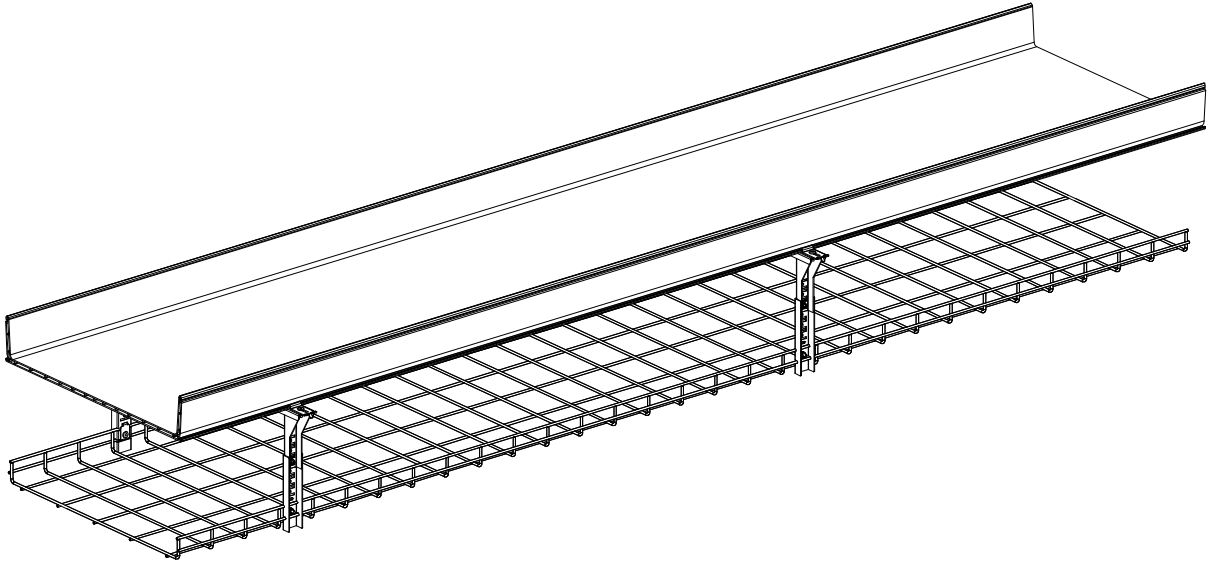
Installing FiberRunner to Trapeze Bracket

- Secure FiberRunner to Trapeze Bracket using (2) Carriage Bolts, (2) FiberRunner Mount Clips and (2) Keps Nuts



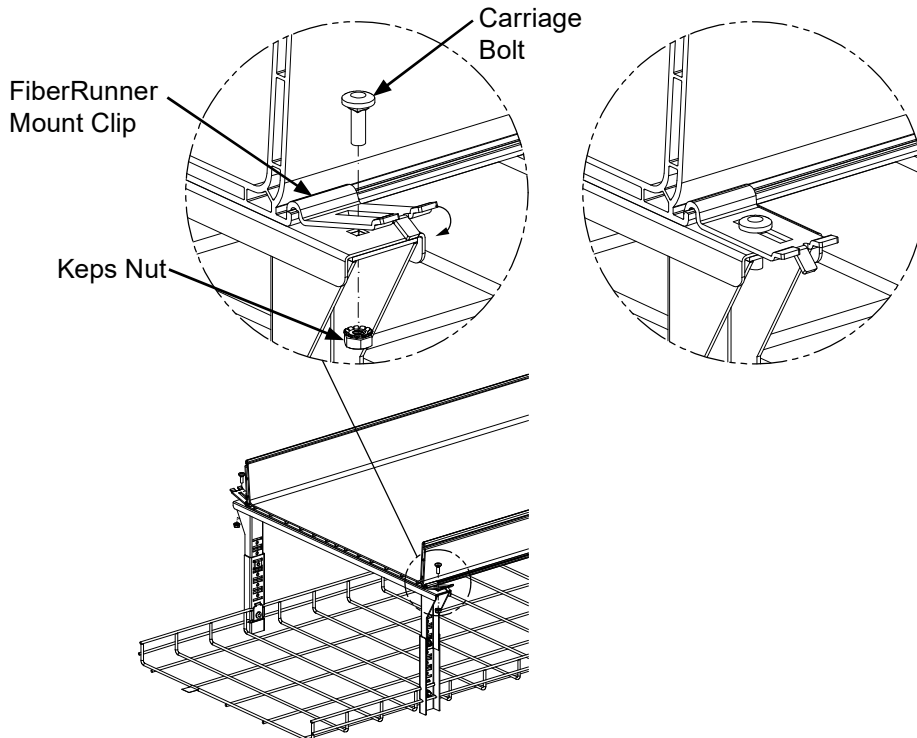
Method 3A

24" FiberRunner over 24" Panduit Wire Basket



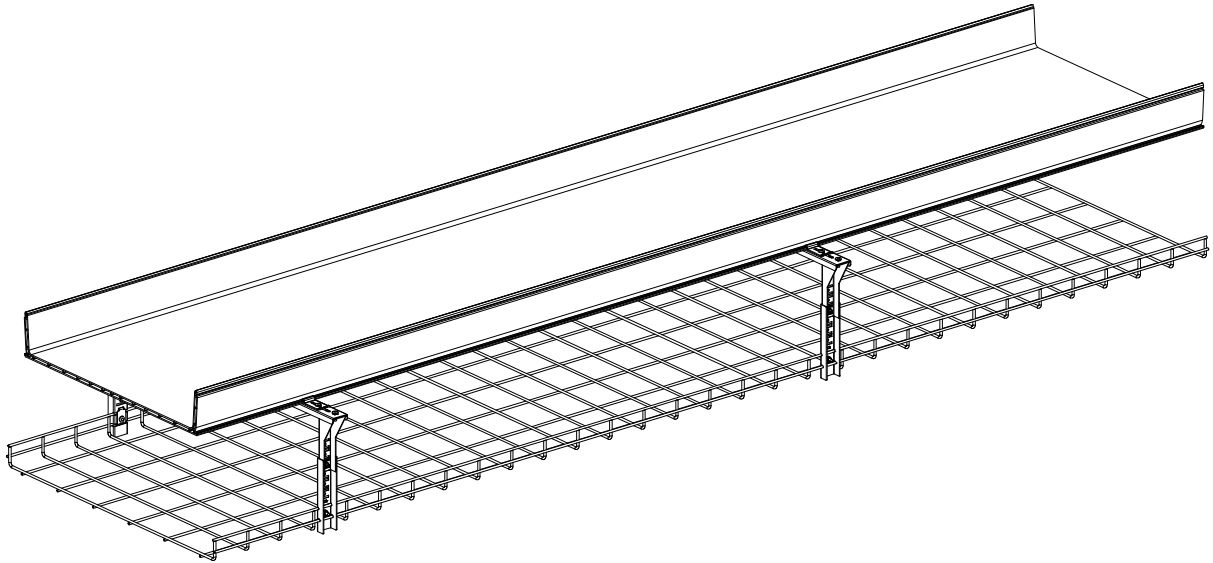
Installing FiberRunner to Trapeze Bracket

- Secure FiberRunner to Trapeze Bracket using (2) Carriage Bolts, (2) FiberRunner Mount Clips and (2) Keps Nuts



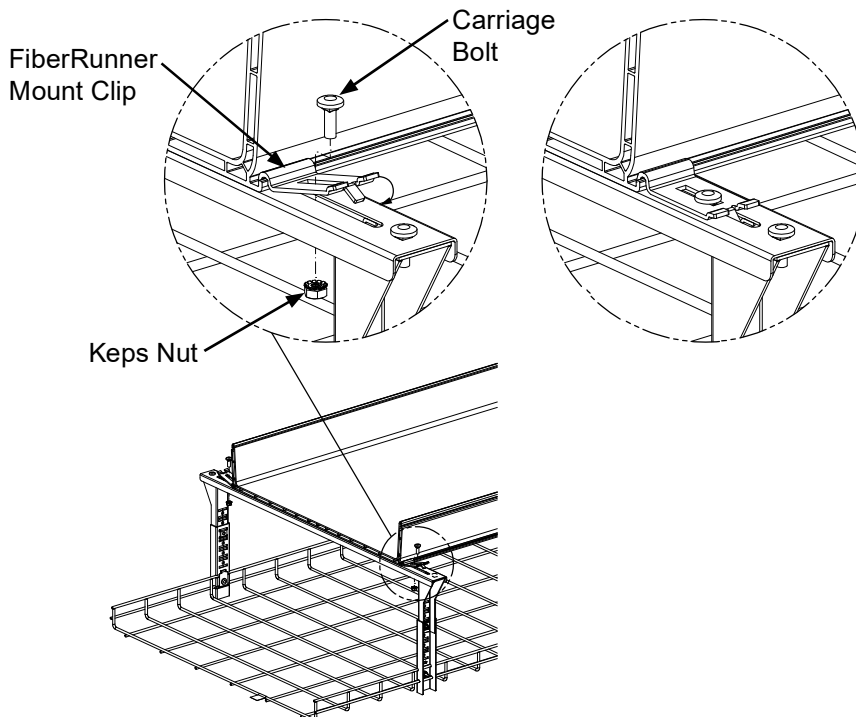
Method 3B

24" FiberRunner on larger Panduit Wire Basket



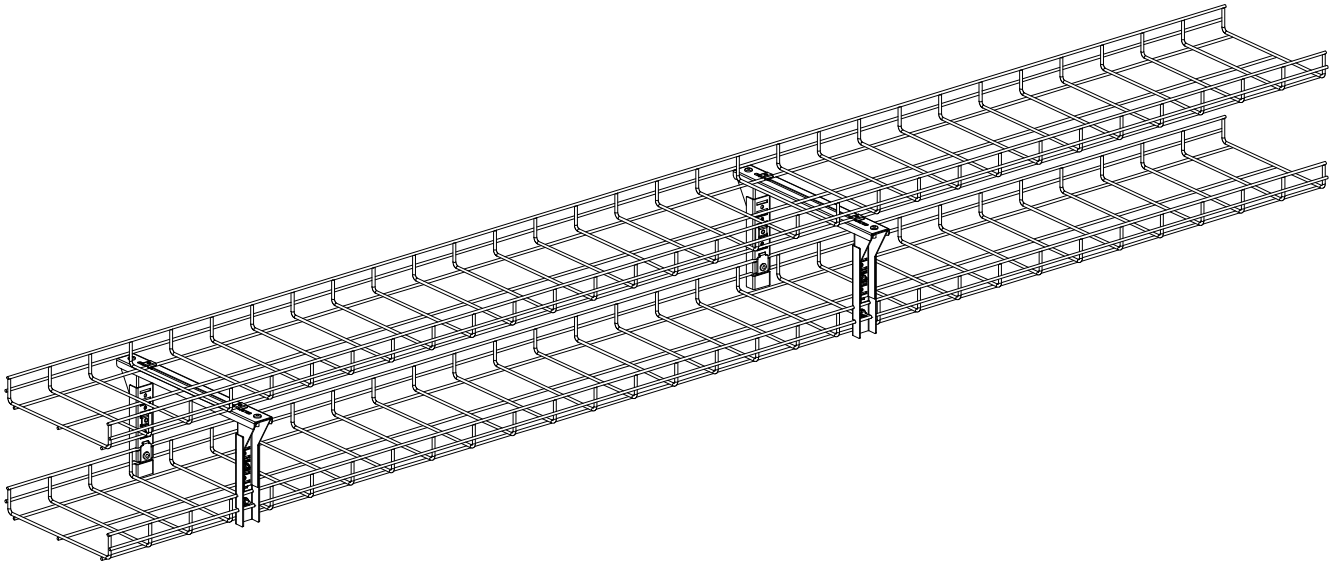
Installing FiberRunner to Trapeze Bracket

- Secure Trapeze Bracket to Adjustable Brackets using (2) Keps Nuts and (2) Carriage Bolts
- Secure FiberRunner to Trapeze Bracket using (2) Carriage Bolts, (2) FiberRunner Mount Clips and (2) Keps Nuts



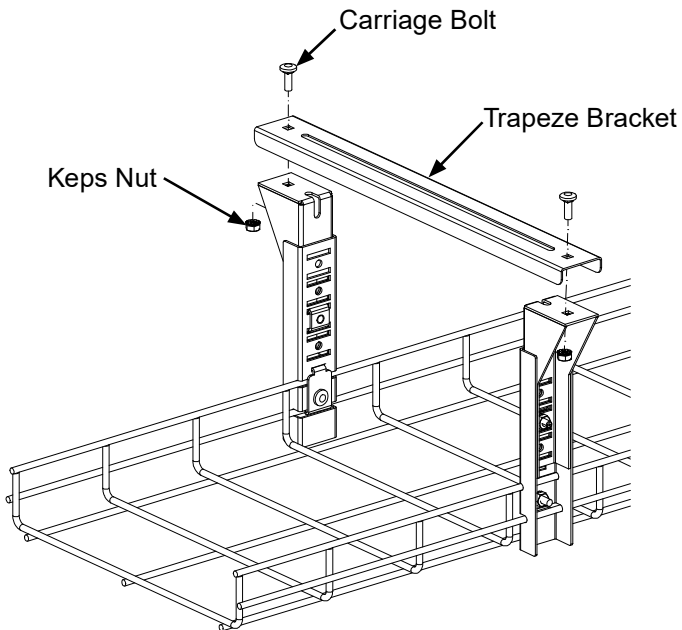
Method 4

Panduit Wire Basket over Panduit Wire Basket



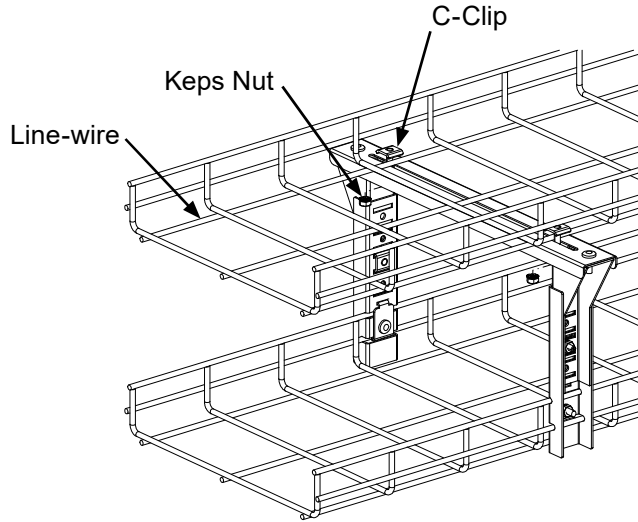
Installing Trapeze Bracket to Adjustable Brackets

- Secure Trapeze Bracket to Adjustable Brackets using (2) Keps Nuts and (2) Carriage Bolts



Installing Wire Basket to Trapeze Bracket

- Secure Wire Basket to Trapeze Bracket using (2) C-Clips and (2) Keps Nuts



Wire Basket Load Capacity

- Cable capacity subject to Safe Working Load of bottom tier Wire Basket.
Ex. If Top Tier 50% filled, Bottom Tier can't exceed 50% of fill capacity.

SWL (Safe Working Loads) in Lbs/Foot					
Part Number	4' Span	5' Span	6' Span	7' Span	8' Span
PWB2X12**	54	49	45	32	23
PWB2X18**	96	75	55	42	29
PWB2X24**	99	73	48	37	27
PWB2X30**	69	55	50	75	46
PWB4X12**	102	84	75	57	46
PWB4X18**	97	85	72	58	46
PWB4X24**	128	101	74	59	42
PWB4X30**	83	70	67	61	55
PWB6X12**	114	103	85	65	55
PWB6X18**	110	97	85	67	51
PWB6X24**	134	110	85	69	56
PWB6X30**	95	75	62	53	44

For Instructions in Local Languages
and Technical Support:

www.panduit.com/resources/install_maintain.asp

PANDUIT

www.panduit.com

E-mail:
techsupport@panduit.com

Phone:
866-405-6654