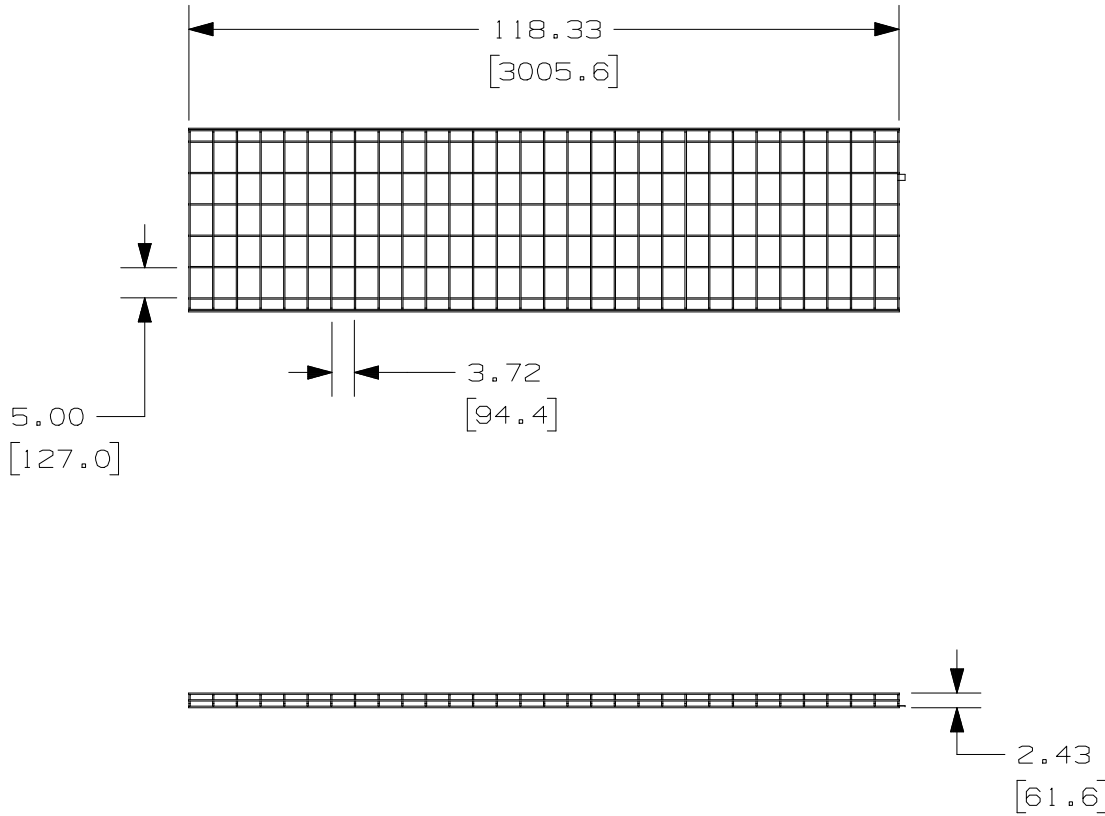


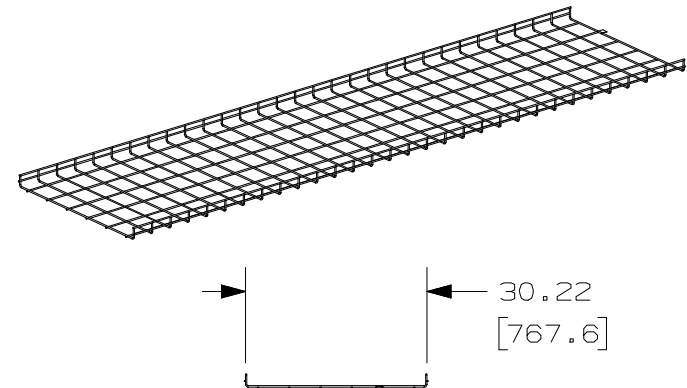
THIS COPY IS PROVIDED ON A RESTRICTED BASIS AND IS NOT TO BE USED IN ANY WAY DETRIMENTAL TO THE INTERESTS OF PANDUIT CORP.



PANDUIT PART NUMBER	WEIGHT
PWB2X30**	19.7 LB/EACH 8936 g/EACH

NOTES:

1. SEE CURRENT CATALOG FOR ADDITIONAL PART SUFFIXES TO INDICATE PART FINISH AND/OR PACKAGING QUANTITY.
2. DIMENSIONS IN PARENTHESIS ARE METRIC.



REV	DATE	BY	CHK	APR	DESCRIPTION	ECN
00A	11/15/2024	MES	JSP	JAWI	INITIAL RELEASE	V09003BZ/00

TITLE PANDUIT WIRE BASKET 2" (50mm) SIDEWALL X 30" (750mm) WIDE STRAIGHT SECTION 10' LONG CUSTOMER DRAWING					
ITEM REVISION NAME 03154NAJ/00	<b>PANDUIT</b>				
DATASET FILE NAME 03154NAJ_DC/00A					
UNLESS OTHERWISE SPECIFIED, DIMENSIONAL TOLERANCES ARE: IN [ mm ] .X ± .19 [ 4.83 ]      .XXX ± .XX ± .19 [ 4.83 ]      ANGLES ±	MATERIAL: SEE NOTES ABOVE				
THIRD ANGLE PROJECTION	DRAWING NUMBER: 03154NAJ-DC				
DRAWN BY MES	DATE 11/15/2024	CHK JSP	SCALE NONE	SHT 1 OF 1	SIZE A

D101000DA/15