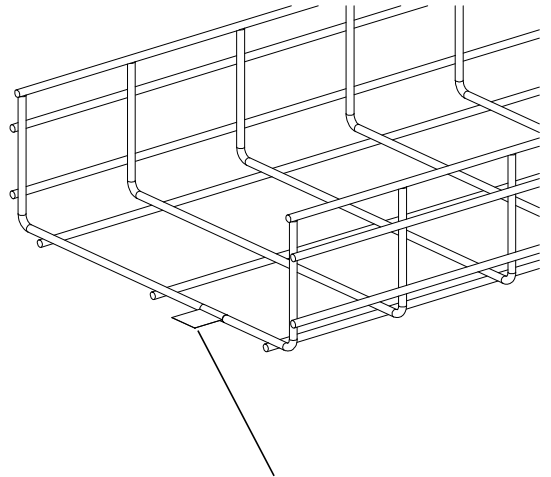
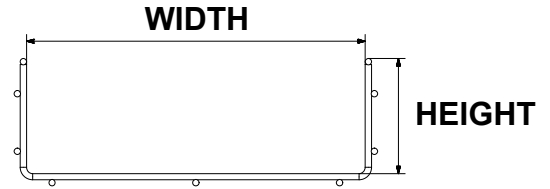


SWL (Safe Working Loads) in Lbs/Foot Bolted Splice					
Part Number	4' Span	5' Span	6' Span	7' Span	8' Span
PWB2X4**	27	22	18	17	15
PWB2X6**	45	40	32	24	21
PWB2X8**	64	52	33	25	21
PWB2X12**	54	49	45	32	23
PWB2X16**^	85	70	55	!	!
PWB2X18**	96	75	55	42	29
PWB2X20**^	100	80	60	!	!
PWB2X24**	99	73	48	37	27
PWB2X30**	69	55	50	75	46
PWB2X36**	65	50	40	40	40
PWB4X4**	36	34	31	29	21
PWB4X6**	45	41	38	30	24
PWB4X8**	71	59	46	43	40
PWB4X12**	102	84	75	57	46
PWB4X16**^	110	95	80	!	!
PWB4X18**	97	85	72	58	46
PWB4X20**^	107	94	82	!	!
PWB4X24**	128	101	74	59	42
PWB4X30**	83	70	67	61	55
PWB4X36**	78	65	76	76	55
PWB6X6**	85	75	67	49	33
PWB6X8**	101	91	79	63	47
PWB6X12**	114	103	85	65	55
PWB6X16**^	115	103	92	!	!
PWB6X18**	110	97	85	67	51
PWB6X20**^	145	120	95	!	!
PWB6X24**	134	110	85	69	56
PWB6X30**	95	75	62	53	44
PWB6X36**	89	65	47	41	35



**REMOVE TAPE FOR GROUNDING CONNECTION WHEN GROUNDING IS DESIRED**

See notes in next page for further details.

**SEE PANDUIT WIRE BASKET SPECIFICATION SHEET FOR A FULL LINE OF ACCESSORIES**

**^ Only sold in Asia-Pacific region  
! Consult Manufacturer**

**SEE FACTORY FOR SWL LOAD FOR BASKETS NOT LISTED ABOVE.**

For Technical Support: [www.panduit.com/resources/install\\_maintain.asp](http://www.panduit.com/resources/install_maintain.asp)

**IMPORTANTE NOTES:**

- For grounding connections, make sure the wire baskets line up properly so bolt splices will bond in the grounding locations where the tape was removed.
- When using a wire basket non-factory end (no bonding tape to remove) the grounding locations should be made by the customer.
- Cable tray shall be installed in accordance with NEMA BI 50016, Panduit Installation Instructions and Panduit Application Guide.
- Specific applications or load conditions can vary and may require additional supports or placement adjustments to accommodate actual installation needs.

For Instructions in Local Languages  
and Technical Support:

[http://www.panduit.com/resources/install\\_maintain.asp](http://www.panduit.com/resources/install_maintain.asp)

**PANDUIT**  
www.panduit.com

E-mail:  
techsupport@panduit.com

Phone:  
866-405-6654