

THIS COPY IS PROVIDED ON A RESTRICTED BASIS AND IS NOT TO BE USED IN ANY WAY DETRIMENTAL TO THE INTERESTS OF PANDUIT CORP.

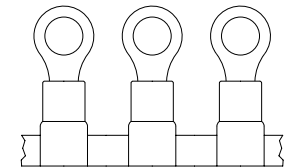
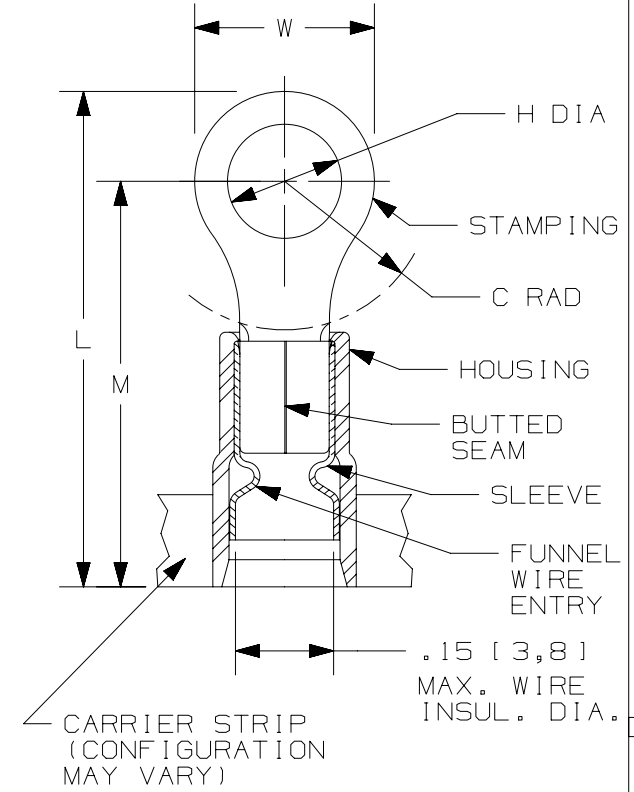
PANDUIT PART #	STUD SIZE		DIMENSIONS in. [mm]					CA9 SERIES CRIMP DIE	CA-800(EZ) SERIES CRIMP DIE
	ENGLISH	METRIC	L ± .03 [0,8]	W ± .01 [0,3]	C ± .02 [0,5]	M ± .03 [0,8]	H ± .01 [0,3]		
PNF18-6R-3K	#6	M3,5	.70 [17,8]	.25 [6,4]	.21 [5,3]	.65 [16,5]	.15 [3,8]	CD9-1A	CD-800-1
PNF18-6RN-3K	#6	M3,5	.74 [18,8]	.22 [5,6]	.16 [4,0]	.63 [16,0]	.15 [3,8]		
PNF18-8R-3K	#8	M4	.86 [21,8]	.31 [7,9]	.25 [6,4]	.70 [17,8]	.17 [4,3]		
PNF18-10R-3K	#10	--	.86 [21,8]	.31 [7,9]	.25 [6,4]	.70 [17,8]	.20 [5,1]		
PNF18-14R-3K	1/4"	M6	1.06 [27,0]	.46 [11,7]	.38 [9,7]	.84 [21,3]	.27 [6,9]		

PRESS/APPLICATOR COMPATIBILITY CHART

PRESS	CP-871	CP-861
APPLICATOR	CA9 CA-800EZ	CA-800

NOTES:

- VISIT OUR ON-LINE CATALOG AT WWW.PANDUIT.COM FOR A LIST OF CURRENT PARTS APPLICABLE FOR USE WITH THIS PRODUCT.
- DIMENSIONS IN [ ] ARE METRIC.
- WEIGHT: .0026 - .0037 LB.
- PART INCLUDES:
  - A. STAMPING: .03" [0,8] THK COPPER, TIN PLATED
  - B. HOUSING: NYLON, RED
  - C. SLEEVE: BRASS, TIN PLATED
- cULus LISTED FOR:
  - A. #22-18 AWG [0,5-1,0 mm<sup>2</sup>] SOLID OR STRANDED COPPER WIRE
  - B. 221°F [105°C] MAX. OPERATING TEMPERATURE
  - C. 600 V. MAX. VOLTAGE RATING
- WIRE STRIP LENGTH: 1/4" <sup>+1/32</sup><sub>-0</sub> [6,4<sup>+0,8</sup><sub>-0</sub>]



PART NUMBER	SEE TABLE		
TITLE	RING TERMINALS, 3 PC. NYLON FUNNEL INSULATED, #22-18, CONTINUOUS REEL		
ITEM REVISION NAME	CUSTOMER DRAWING		
DATASET FILE NAME	N41145BA/10	<b>PANDUIT</b>	
	N41145BA_DC/10A		
	THIRD ANGLE PROJECTION	DRAWING NUMBER	
MATERIAL	SEE NOTES	A41145	
DRAWN BY	DATE	CHK	SCALE
FES	-	FS	NONE
SHEET 1 OF 1			SIZE
			A

REV	DATE	BY	CHK	APR	DESCRIPTION	ECN
10	10-30-25	ANVM	ANVM	JSUN	REMOVED MILITARY CLASS COLUMN FROM TABLE. UPDATED TITLE BLOCK AND NOTES. REMOVED OBSOLETE PNs: PNF18-4R-3K, PNF18-4RN-3K, PMNF1-3R-3K AND PMNF1-5R-3K	026832/00
09	07-14	MBY	JHNU	RGB	REVISED NOTES. MOVED TOOLS TO TABLE, REVISED CERTIFICATION	N41145-A41145
08	09-13-12	JBN	LCA	VMB	ADDED METRIC EQUIVALENT. REVISED NOTES. UPDATED DRAWING TO CURRENT STANDARDS.	A41145

A-SIZE CUSTOMER