

specifications

Category 6A/Class E_A, 8-position keyed UTP jack modules shall terminate unshielded twisted 4-pair, 22-24 AWG, 100 ohm cable without the use of a punchdown tool. The jack module shall be mechanically keyed with color-specific positive and negative keying features to prevent unintentional mating with unlike keyed or non-keyed modular plugs. The forward motion termination method shall optimize performance by maintaining cable pair geometry and eliminating conductor untwist. The blue termination cap shall be color-coded for T568A and T568B wiring schemes.



technical information

Category 6A/ Class E_A channel and component performance: Certified channel performance in a 4-connector configuration up to 100 meters and exceeds the requirements of ANSI/TIA/EIA-568-B.2-10 Category 6A and ISO 11801 Class E_A standards for supporting 10GBASE-T transmission over twisted-pair cabling systems as part of the PANDUIT[®] TX6A™ 10Gig™ UTP Copper Cabling System

Certified component performance to the ANSI/TIA/EIA-568-B.2-10 Category 6A and ISO 11801 Class E_A standards for supporting 10GABSE-T transmission over twisted-pair cabling systems

FCC compliance: Meets ANSI/TIA-968-A; contacts plated with 50 microinches of gold for superior performance

IEC compliance: Meets IEC 60603-7

PoE compliance: Meets IEEE 802.3af and draft requirements of IEEE 802.3at for PoE Plus

UL rated: No. 1863

Conductor termination range: Accepts primary conductor O.D. between 0.037 in. to 0.062 in.

key features and benefits

Color-specific keys with positive and negative keying features Mechanically and visually distinguish connections to prevent unintentional insertion into unlike keyed or non-keyed ports, all network design flexibility and versatility, and accommodate more discrete networks

100% performance tested Confidence that each jack module will deliver the critical electrical performance requirements

Utilizes Flex technology Shortens the tuning length of the jack module enabling higher performance

Utilizes enhanced GIGA-TX™ Technology Wire cap optimizes performance by eliminating conductor untwist and reduces installation time and expense; simplifies termination and maintains conductor twists for reliable and consistent terminations

True strain relief Controls cable bend radius for long term installed performance

Modular Jack modules snap in and out of MINI-COM[®] Faceplates, Modular Patch Panels, and Surface Mount Boxes for easy moves, adds, and changes

Individually serialized Marked with quality control number for future traceability

Integrated block out feature Prevents standard RJ11 modular plugs from mating with keyed jack modules

applications

The TX6A™ 10Gig™ Keyed UTP Jack Modules are a component of the PANDUIT[®] TX6A™ 10Gig™ UTP Copper Cabling System. Keyed connectivity enables a level of visual and mechanical differentiation, and physical layer security that conventional cabling systems cannot provide. This end-to-end system provides a cost-effective medium for ensuring that network bandwidth needs are easily met today and tomorrow. Usage of the TX6A™ 10Gig™ UTP Copper Cabling System includes high bandwidth applications within data centers and connections to high-end workstations. Key applications include:

- 10GBASE-T Ethernet
- Data center server virtualization
- Backbone aggregation
- Data center I/O consolidation
- Consolidation of network interconnects
- Parallel processing and high speed computing

TX6A™ 10Gig™ Keyed UTP Copper Cabling System

MINI-COM[®] TX6A™ 10Gig™ Keyed UTP Jack Modules

Keyed A (black):	CJK6X88TGBL
Keyed B (red):	CJK6X88TGRD
Keyed C (green):	CJK6X88TGGR
Keyed D (yellow):	CJK6X88TGYL
Keyed E (orange):	CJK6X88TGOR
Keyed F (blue):	CJK6X88TGBU

TX6A™ 10Gig™ Keyed UTP Patch Cords

Keyed A (black):	UTPK6A*BL
Keyed B (red):	UTPK6A*RD
Keyed C (green):	UTPK6A*GR
Keyed D (yellow):	UTPK6A*YL
Keyed E (orange):	UTPK6A*OR
Keyed F (blue):	UTPK6A*BU

TX6A™ 10Gig™ UTP Copper Cable

Plenum:	PUP6A04**-UY
Riser:	PUP6A04**-UY

MINI-COM[®] Angled Flush Mount Modular Patch Panels

24-port, 1RU:	CPPA24FMWBLY
48-port, 2RU:	CPPA48FMWBLY

MINI-COM[®] Flat Flush Mount Modular Patch Panels

24-port, 1RU:	CPP24FMWBLY
48-port, 2RU:	CPP48FMWBLY
72-port, 2RU:	CPP72FMWBLY

For additional modular patch panels reference www.panduit.com

Tools and Accessories

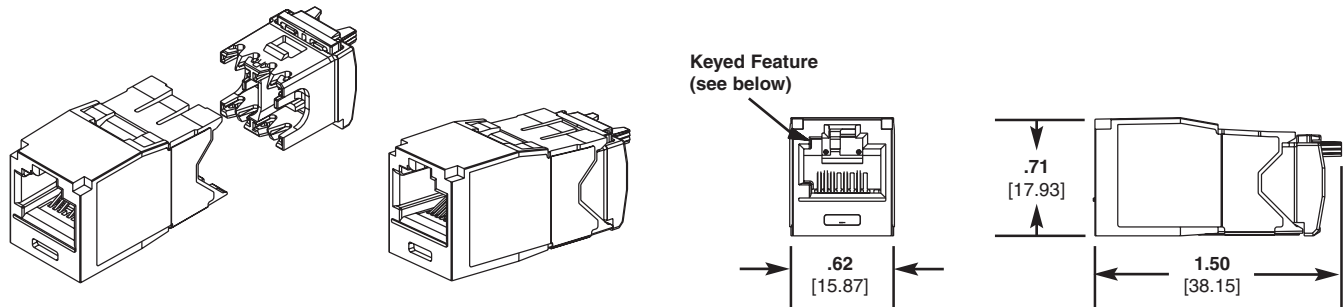
Termination tools:	TGJT or EGJT
Wire snipping tool:	CWST
Wire stripping tool:	CJAST
Clear dust cap:	MDC-C

*Substitute for length in feet: 3, 5, 7, 10 or 14 feet. Contact customer service for universal reference patch cords.

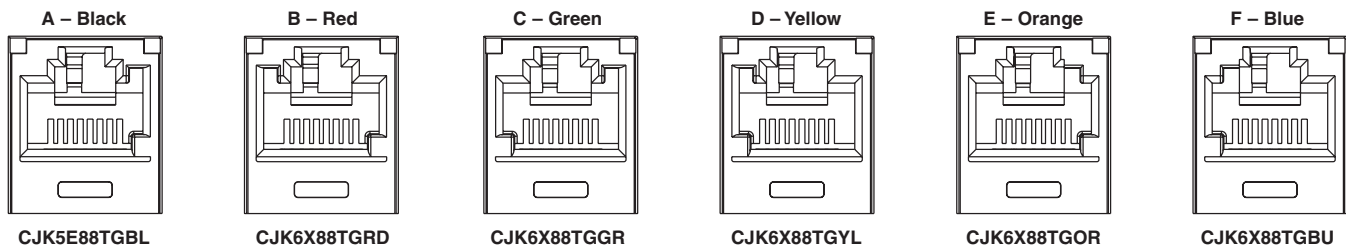
**To designate color, add suffix BU (Blue), WH (White), YL (Yellow) or IG (International Gray). For additional cable colors, contact customer service.

Reliability Tests

Mechanical Test	Test Method	Measurement	Typical Test Results
Normal Force	—	Load (grams)	> 100
Vibration	IEC 512-6d	Circuit Resistance (mOhms)	< 40
Shock	IEC 512-6c	Contact Disturbance (microsecond)	< 5
Durability	IEC 512-9a	Circuit Resistance (mOhms)	< 40
Mating/Un-Mating	IEC 512-13b	Mating Force (N)	< 20
		Un-Mating Force (N)	< 20
Termination Cycles	IEC 352	Number of Cycles	< 20
Electrical Test	Test Method	Measurement	Typical Test Results
Low Level Circuit Resistance	IEC 512-2a	Resistance (mOhms)	< 20
Dielectric Withstand Voltage	IEC 512-4a	1000 V, 1 minute	Passed
Insulation Resistance	IEC 512-3a	Resistance (MOhms)	> 500
Environmental	Test Method	Measurement	Typical Test Results
Temperature Life	IEC 512-9b	Circuit Resistance (mOhms)	< 40
Humidity	IEC 512-11c	Circuit Resistance (mOhms)	< 40
Thermal Shock	IEC 512-11d	Circuit Resistance (mOhms)	< 40
Climatic Sequence	IEC 512-11a	Circuit Resistance (mOhms)	< 40
Flowing Mixed Gas Corrosion	IEC 512-11g	Circuit Resistance (mOhms)	< 40



UTP Jack Color/Key Code and Part Number



Dimensions are in inches. [Dimensions in brackets are metric].

WORLDWIDE SUBSIDIARIES AND SALES OFFICES

PANDUIT CANADA
Markham, Ontario
cs-cdn@panduit.com
Phone: 800.777.3300

PANDUIT EUROPE LTD.
London, UK
cs-emea@panduit.com
Phone: 44.20.8601.7200

PANDUIT SINGAPORE PTE. LTD.
Republic of Singapore
cs-ap@panduit.com
Phone: 65.6305.7575

PANDUIT JAPAN
Tokyo, Japan
cs-japan@panduit.com
Phone: 81.3.6863.6000

PANDUIT LATIN AMERICA
Jalisco, Mexico
cs-la@panduit.com
Phone: 52.333.777.6000

PANDUIT AUSTRALIA PTY. LTD.
Victoria, Australia
cs-aus@panduit.com
Phone: 61.3.9794.9020

For a copy of PANDUIT product warranties, log on to www.panduit.com/warranty



For more information
Visit us at www.panduit.com
Contact Customer Service by email: cs@panduit.com
or by phone: 800-777-3300 and reference COSP157

© 2009 PANDUIT Corp.
ALL RIGHTS RESERVED.
WW-COSP157
3/2009