

### specifications

Category 6/Class E, 8-position keyed UTP jack modules shall terminate unshielded twisted 4-pair, 22-26 AWG, 100 ohm cable without the use of a punchdown tool. The jack module shall be mechanically keyed with color-specific positive and negative keying features to prevent unintentional mating with unlike keyed or non-keyed adapters. The forward motion termination method shall optimize performance by maintaining cable pair geometry and eliminating conductor untwist. The white termination cap shall be color-coded for T568A and T568B wiring schemes.



### technical information

<b>Category 6/ Class E channel and component performance:</b>	Certified channel performance in a 4-connector configuration up to 100 meters and exceeds the requirements of ANSI/TIA/EIA-568-B.2-1 Category 6 and ISO 11801 Class E standards
	Certified component performance to the ANSI/TIA/EIA-568-B.2-1 Category 6 and ISO 11801 Class E standards
<b>FCC compliance:</b>	Meets ANSI/TIA-968-A; contacts plated with 50 microinches of gold for superior performance
<b>IEC compliance:</b>	Meets IEC 60603-7
<b>PoE compliance:</b>	Meets IEEE 802.3af and draft requirements of IEEE 802.3at for PoE Plus
<b>UL rated:</b>	No. 1863

### key features and benefits

<b>Color-specific keys with positive and negative keying features</b>	Mechanically and visually distinguish connections to prevent unintentional insertion into unlike keyed or non-keyed ports, all network design flexibility and versatility, and accommodate more discrete networks
<b>100% performance tested</b>	Confidence that each jack module will deliver the critical electrical performance requirements
<b>Utilizes Flex technology</b>	Shortens the tuning length of the jack module enabling higher performance
<b>Utilizes enhanced GIGA-TX™ Technology</b>	Wire cap optimizes performance by eliminating conductor untwist and reduces installation time and expense; simplifies termination and maintains conductor twists for reliable and consistent terminations
<b>True strain relief</b>	Controls cable bend radius for long term installed performance
<b>Modular</b>	Jack modules snap in and out of MINI-COM® Faceplates, Modular Patch Panels, and Surface Mount Boxes for easy moves, adds, and changes
<b>Individually serialized</b>	Marked with quality control number for future traceability
<b>Integrated block out feature</b>	Prevents standard RJ11 modular plugs from mating with keyed jack modules

### applications

The TX6™ PLUS Keyed UTP Jack Modules are part of the PANDUIT® TX6™ PLUS UTP Copper Cabling System. Keyed connectivity enables a level of visual and mechanical differentiation, and physical layer security that conventional cabling systems cannot provide. Key applications include:

- Ethernet 10BASE-T, 100BASE-T (Fast Ethernet), 1000BASE-T (Gigabit Ethernet), 10GBASE-T (limited distances as specified in the industry standards)
- 155 Mb/s ATM, 622 Mb/s ATM, 1.2 Gb/s ATM
- Token Ring 4/16

#### TX6™ PLUS Keyed UTP Copper Cabling System

#### MINI-COM® TX6™ PLUS Keyed UTP Jack Modules

<b>Keyed A (black):</b>	CJK688TGBL
<b>Keyed B (red):</b>	CJK688TGRD
<b>Keyed C (green):</b>	CJK688TGGR
<b>Keyed D (yellow):</b>	CJK688TGYL
<b>Keyed E (orange):</b>	CJK688TGOR
<b>Keyed F (blue):</b>	CJK688TGBU

#### TX6™ PLUS Keyed UTP Patch Cords

<b>Keyed A (black):</b>	UTPKSP*BL
<b>Keyed B (red):</b>	UTPKSP*RD
<b>Keyed C (green):</b>	UTPKSP*GR
<b>Keyed D (yellow):</b>	UTPKSP*YL
<b>Keyed E (orange):</b>	UTPKSP*OR
<b>Keyed F (blue):</b>	UTPKSP*BU

#### TX6000™ UTP Copper Cable

<b>Plenum:</b>	PUP6004**-UY
<b>Riser:</b>	PUP6004**-UY
<b>LSZH:</b>	PUL6004**-EY

#### MINI-COM® Angled Flush Mount Modular Patch Panels

<b>24-port, 1RU:</b>	CPPA24FMWBLY
<b>48-port, 2RU:</b>	CPPA48FMWBLY

#### MINI-COM® Flat Flush Mount Modular Patch Panels

<b>24-port, 1RU:</b>	CPP24FMWBLY
<b>48-port, 2RU:</b>	CPP48FMWBLY
<b>72-port, 2RU:</b>	CPP72FMWBLY

For additional modular patch panels reference [www.panduit.com](http://www.panduit.com)

#### Tools and Accessories

<b>Termination tools:</b>	TGJT or EGJT
<b>Wire stripping tool:</b>	CWST
<b>Wire stripping tool:</b>	CJAST
<b>Clear dust cap:</b>	MDC-C

\*Substitute for length in feet: 3, 5, 7, 10 or 14 feet. Contact customer service for universal reference patch cords.

\*\*To designate color, add suffix BU (Blue), WH (White), YL (Yellow) or IG (International Gray). For additional cable colors, contact customer service.

# MINI-COM<sup>®</sup> TX6<sup>™</sup> PLUS Keyed UTP Jack Modules

## Reliability Tests

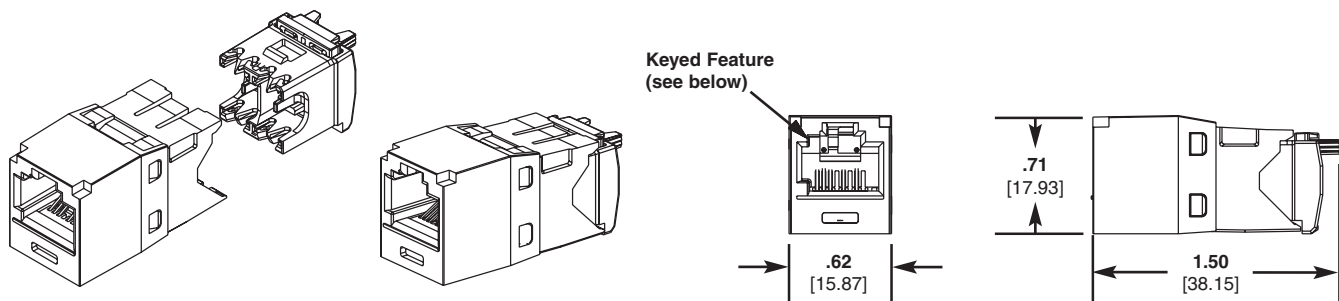
Mechanical Test	Test Method	Measurement	Typical Test Results
<b>Normal Force</b>	—	Load (grams)	> 100
<b>Vibration</b>	IEC 512-6d	Circuit Resistance (mOhms)	< 40
<b>Shock</b>	IEC 512-6c	Contact Disturbance (microsecond)	< 5
<b>Durability</b>	IEC 512-9a	Circuit Resistance (mOhms)	< 40
<b>Mating/Un-Mating</b>	IEC 512-13b	Mating Force (N)	< 20
		Un-Mating Force (N)	< 20
<b>Termination Cycles</b>	IEC 352	Number of Cycles	< 20

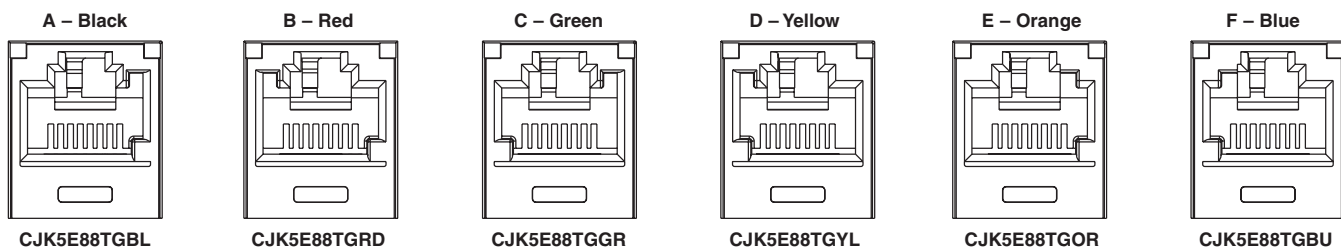
Electrical Test	Test Method	Measurement	Typical Test Results
<b>Low Level Circuit Resistance</b>	IEC 512-2a	Resistance (mOhms)	< 20
<b>Dielectric Withstand Voltage</b>	IEC 512-4a	1000 V, 1 minute	Passed
<b>Insulation Resistance</b>	IEC 512-3a	Resistance (MOhms)	> 500

Environmental	Test Method	Measurement	Typical Test Results
<b>Temperature Life</b>	IEC 512-9b	Circuit Resistance (mOhms)	< 40
<b>Humidity</b>	IEC 512-11c	Circuit Resistance (mOhms)	< 40
<b>Thermal Shock</b>	IEC 512-11d	Circuit Resistance (mOhms)	< 40
<b>Climatic Sequence</b>	IEC 512-11a	Circuit Resistance (mOhms)	< 40
<b>Flowing Mixed Gas Corrosion</b>	IEC 512-11g	Circuit Resistance (mOhms)	< 40



## UTP Jack Color/Key Code and Part Number



Dimensions are in inches. [Dimensions in brackets are metric].

### WORLDWIDE SUBSIDIARIES AND SALES OFFICES

**PANDUIT CANADA**  
Markham, Ontario  
cs-cdn@panduit.com  
Phone: 800.777.3300

**PANDUIT EUROPE LTD.**  
London, UK  
cs-emea@panduit.com  
Phone: 44.20.8601.7200

**PANDUIT SINGAPORE PTE. LTD.**  
Republic of Singapore  
cs-ap@panduit.com  
Phone: 65.6305.7575

**PANDUIT JAPAN**  
Tokyo, Japan  
cs-japan@panduit.com  
Phone: 81.3.6863.6000

**PANDUIT LATIN AMERICA**  
Jalisco, Mexico  
cs-la@panduit.com  
Phone: 52.333.777.6000

**PANDUIT AUSTRALIA PTY. LTD.**  
Victoria, Australia  
cs-aus@panduit.com  
Phone: 61.3.9794.9020

For a copy of **PANDUIT** product warranties, log on to [www.panduit.com/warranty](http://www.panduit.com/warranty)



For more information  
**Visit us at [www.panduit.com](http://www.panduit.com)**  
Contact Customer Service by email: [cs@panduit.com](mailto:cs@panduit.com)  
or by phone: 800-777-3300 and reference COSP156

© 2009 **PANDUIT** Corp.  
ALL RIGHTS RESERVED.  
**WW-COSP156**  
3/2009