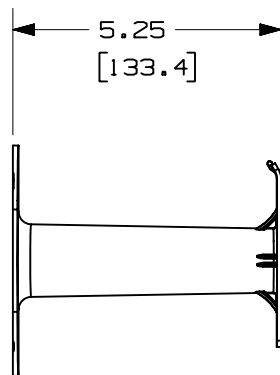
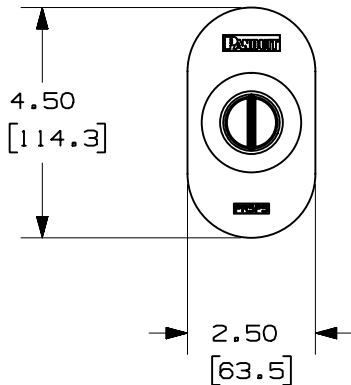
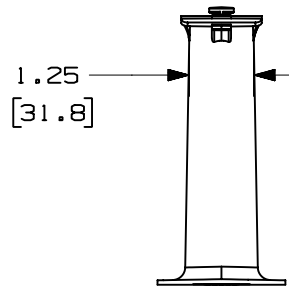


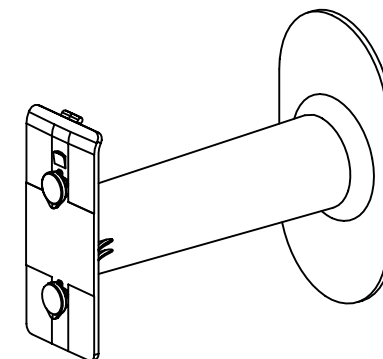
THIS COPY IS PROVIDED ON A RESTRICTED BASIS AND IS NOT TO BE USED IN ANY WAY DETRIMENTAL TO THE INTERESTS OF PANDUIT CORP.



PANDUIT PART NO.	WEIGHT
PRSP5	.14 LBS/EACH 63.5 g/EACH

NOTES:

- VISIT OUR ON-LINE CATALOG AT WWW.PANDUIT.COM FOR A CURRENT LIST OF PRODUCTS APPLICABLE FOR USE WITH THIS PART.
- DIMENSIONS IN PARENTHESIS ARE METRIC.



MODEL FILENAME V10197BA_PR_SPL_5_01.PRT

CAD FILENAME/LAYERS V10197BA_DC_01A.PRT

PANDUIT CORP. TINLEY PARK, ILLINOIS

5" LONG PATCHRUNNER SPOOL
CUSTOMER DRAWING

UNLESS OTHERWISE SPECIFIED, DIMENSIONAL TOLERANCES ARE:
 INCHES +/- 0.03 [METRIC - MILLIMETER] ANGLE
 X.X +/- 0.015 X.X +/- 0.4 +/- 1°
 X.XXX +/- 0.005 X.XX +/- 0.13

UNLESS OTHERWISE SPECIFIED,
 ALL DIMENSIONS ARE GIVEN
 IN INCHES, THIRD ANGLE PROJECTION.

DRAWN BY JDWE

MAT'L:

SCALE NONE

R	5-18-04	JDWE		RELEASED TO PRODUCTION	10197-03					
REV	DATE	BY	CHK	DESCRIPTION	ECN - R	CUST	SUP	OTH	CHK'D	

DATE 5-18-04

POLYCARBONATE

DRAWING NO.

10197-03

DWG
A
SIZE