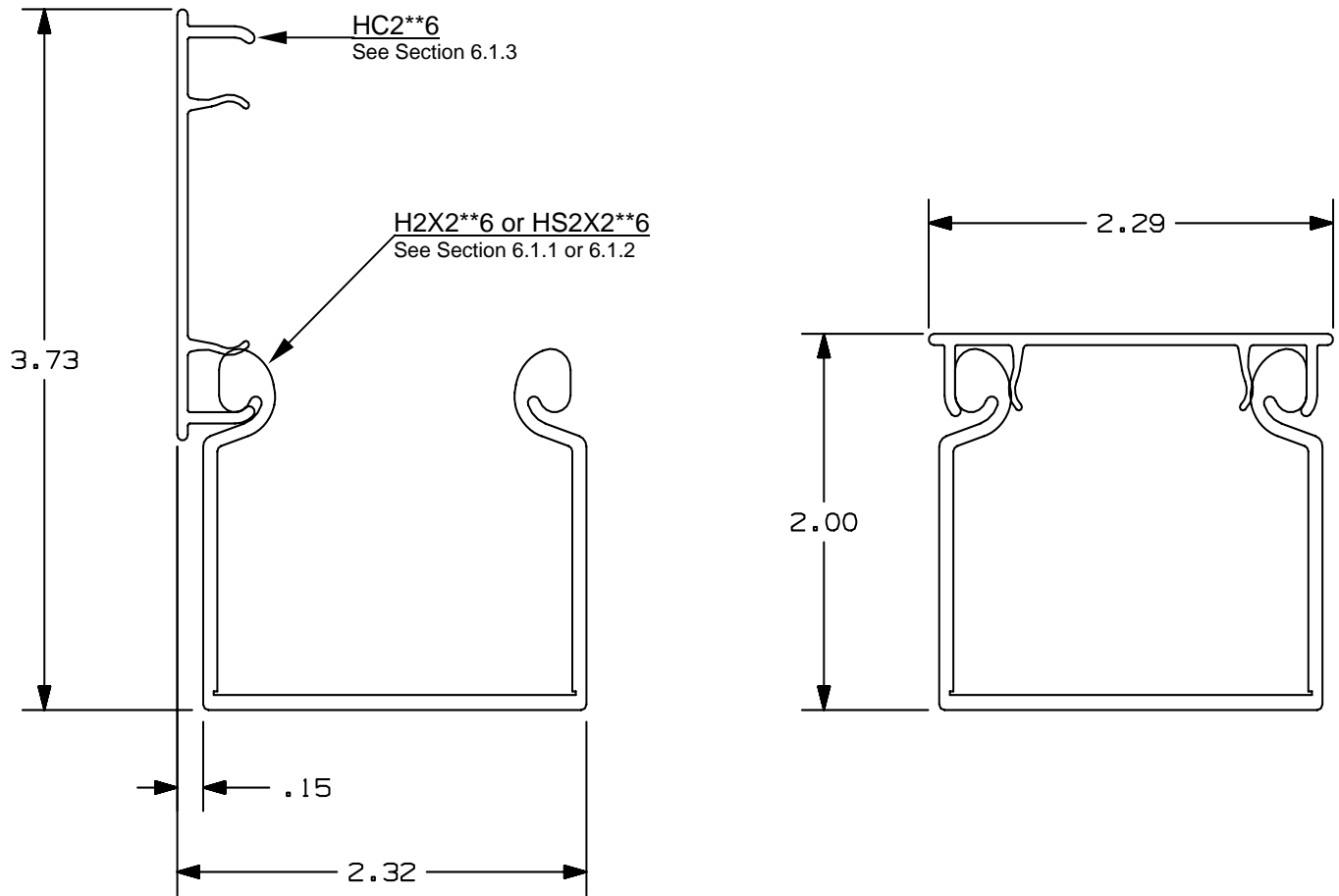
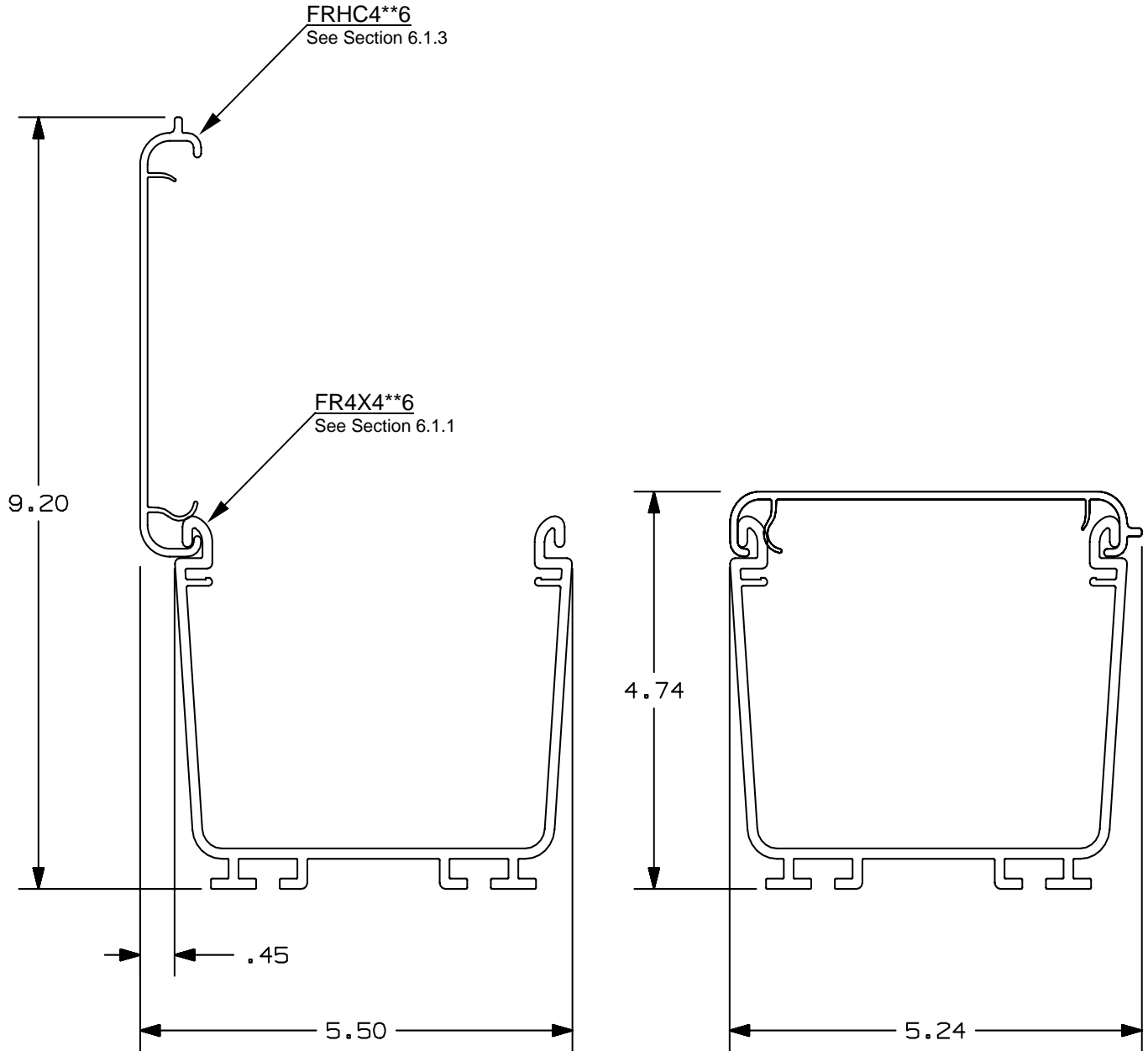


2.6 Hinged and/or Hinged Slotted Channel and Hinged Cover



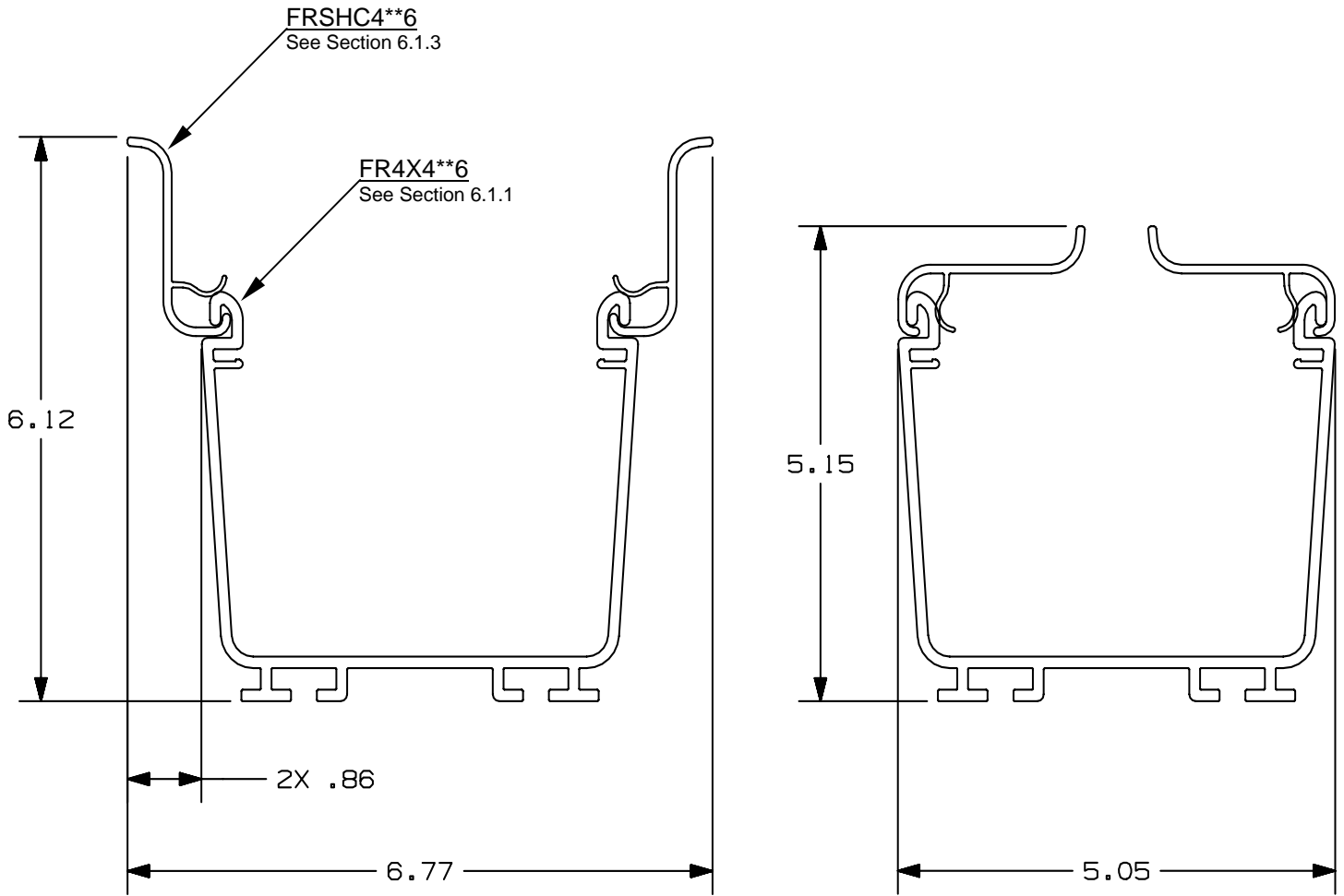
When ordering, replace ** in the part number with YL for Yellow, OR for Orange or BL for Black

3.8 Channel and Snap-On Hinged Cover



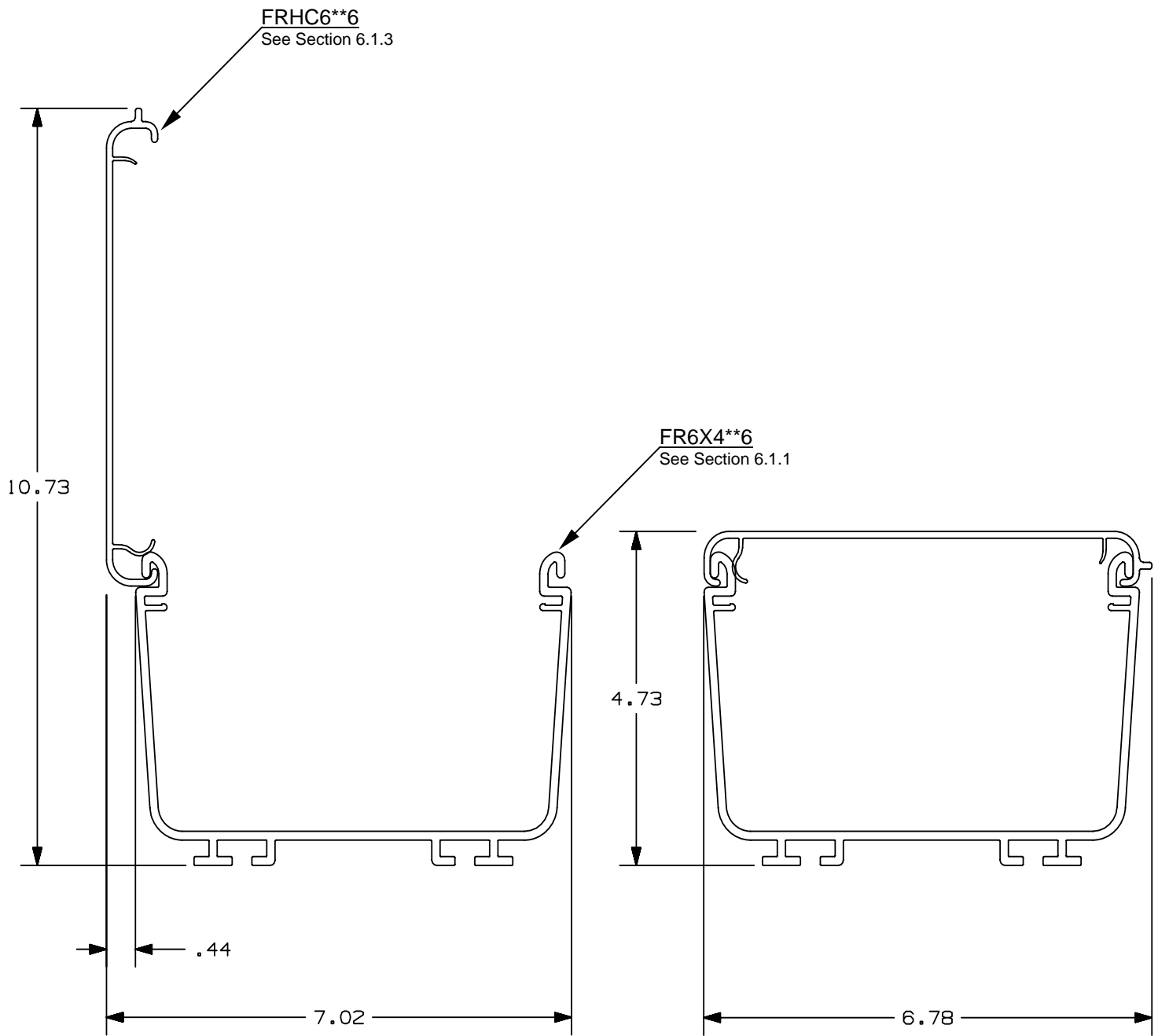
When ordering, replace ** in the part number with YL for Yellow, OR for Orange or BL for Black

3.9 Channel and Split Hinged Cover



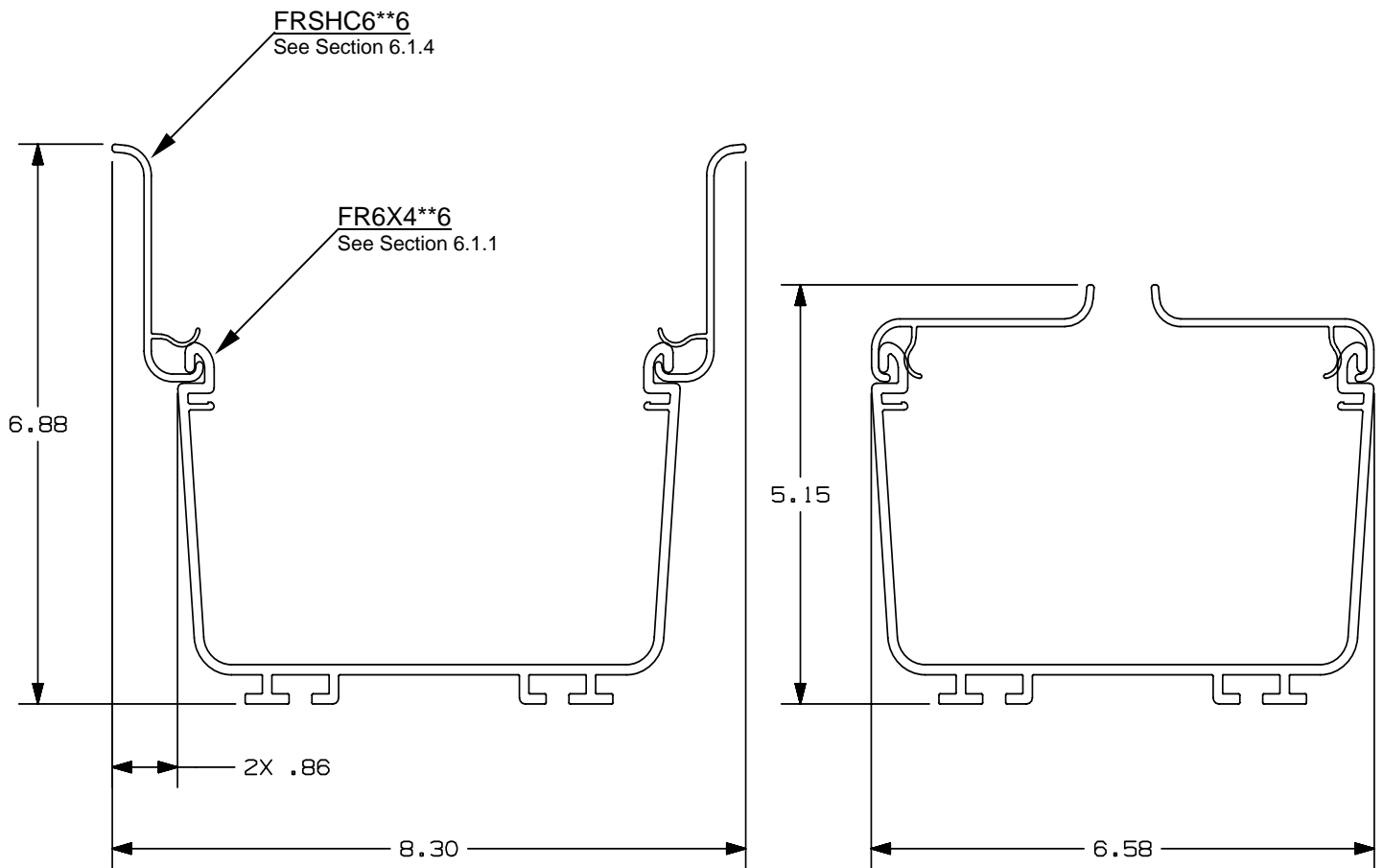
When ordering, replace ** in the part number with YL for Yellow, OR for Orange or BL for Black

4.8 Channel and Snap-On Hinged Cover



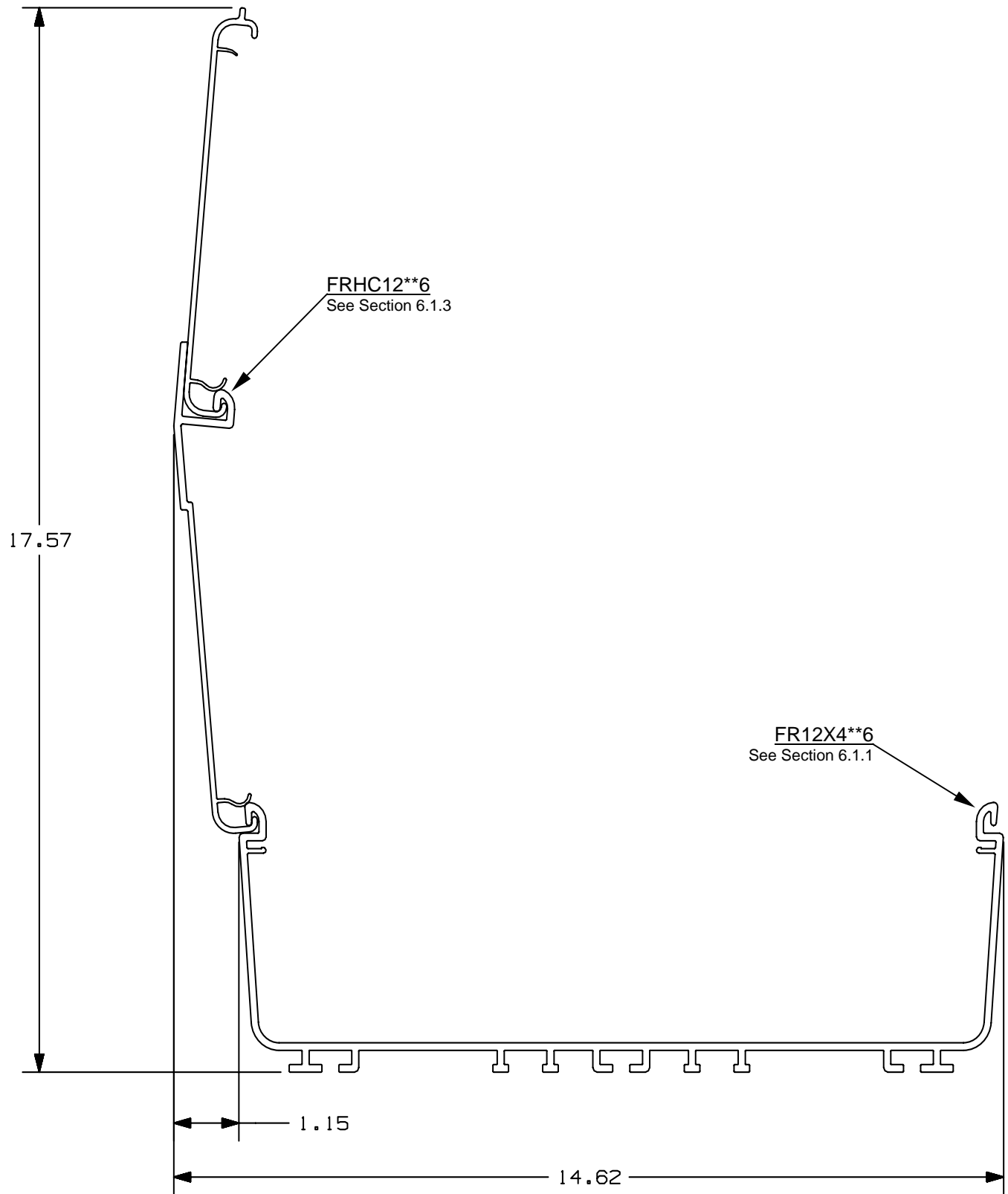
When ordering, replace ** in the part number with YL for Yellow, OR for Orange or BL for Black

4.9 Channel and Split Hinged Cover



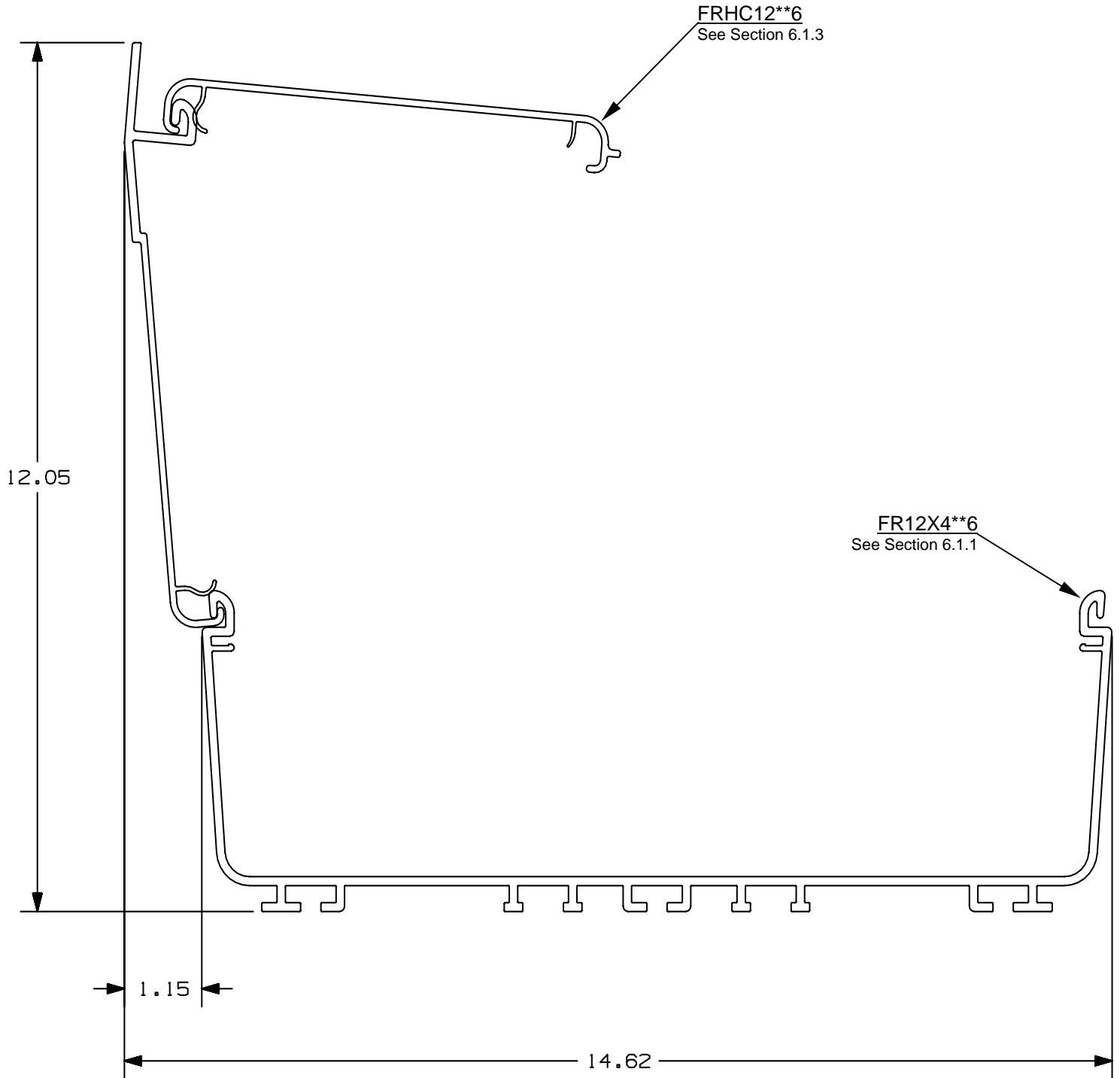
When ordering, replace ** in the part number with YL for Yellow, OR for Orange or BL for Black

5.4 Channel and Snap-On Hinged Cover – Open (Full)



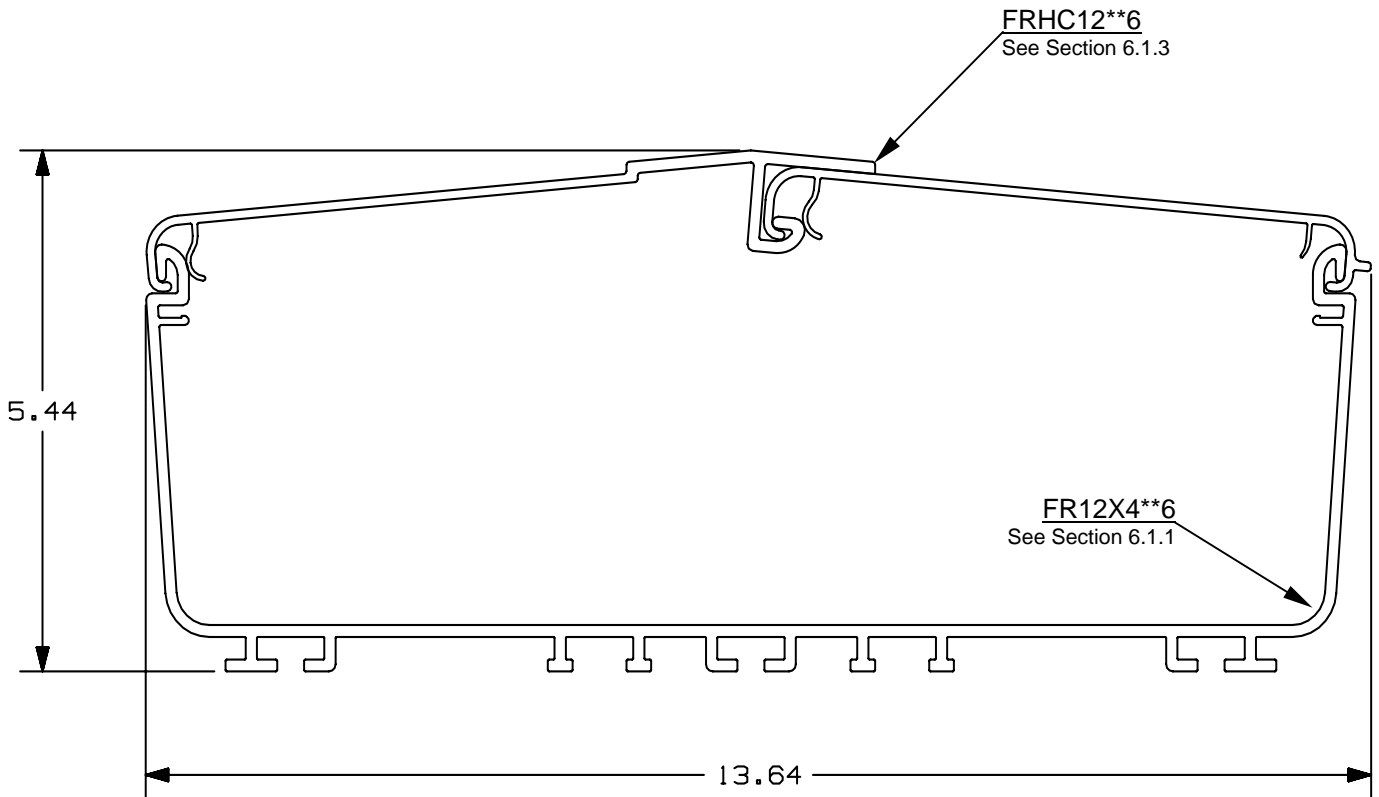
When ordering, replace ** in the part number with YL for Yellow, OR for Orange or BL for Black

5.5 Channel and Snap-On Hinged Cover – Open (Half)



When ordering, replace ** in the part number with YL for Yellow, OR for Orange or BL for Black

5.6 Channel and Snap-On Hinged Cover – Closed



When ordering, replace ** in the part number with YL for Yellow, OR for Orange or BL for Black