



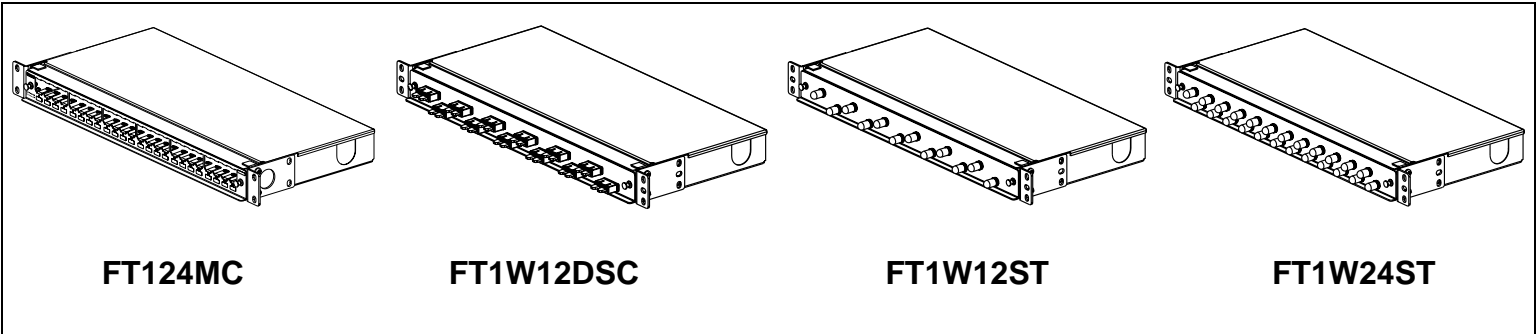
# International Fiber Optic Connector Enclosure

Part Number: FT124MC, FT1W12DSC, FT1W12ST, FT1W24ST

## CM262 INSTALLATION INSTRUCTIONS

© Panduit Corp. 2002

Printed in U.S.A.

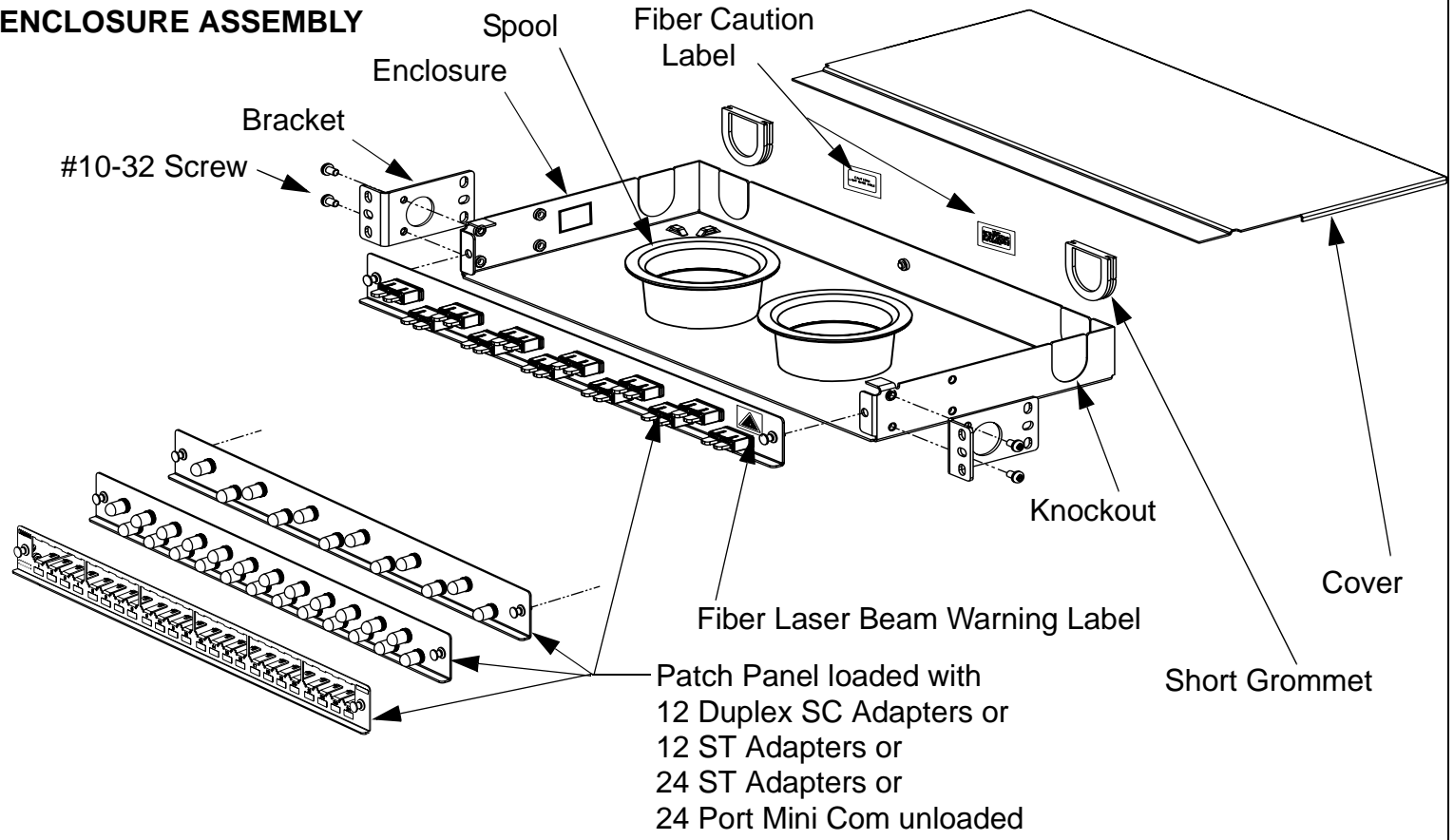


<b>PARTS LIST</b>			
1-Enclosure	1-Fiber Laser Beam Warning Label	2-Short Grommet	
1-Patch Panel loaded with Duplex SC or ST Adapters or 24 Port Mini Com unloaded	1-Fiber Caution Label	2-Brackets	
	2-Fiber Management Spool	4- #12-24 Screws	
	4-PLT2S Cable Tie	8- #10-32 Screws	
		4 - M6 Screws	

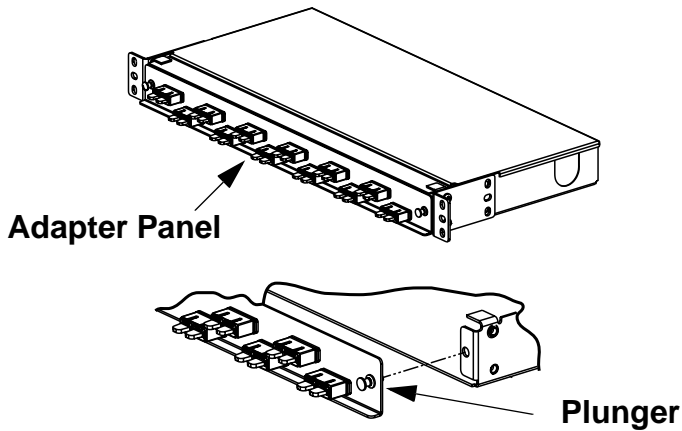
### Cautions

1. Fiber optic cable is sensitive to excessive pulling, bending and crushing forces. Consult the manufacturer's cable specification sheet for the specific cable in use.
2. Follow TIA/EIA 568-A, 569, 606, and 607 installation guidelines where applicable.
3. **DANGER: UNMATED CONNECTORS MAY EMIT INVISIBLE LASER RADIATION. DO NOT LOOK DIRECTLY INTO THE END OF THE CONNECTOR, DO NOT INSPECT WITH MAGNIFYING DEVICES. MAINTAIN CAP ON UNMATED CONNECTORS.**

### ENCLOSURE ASSEMBLY



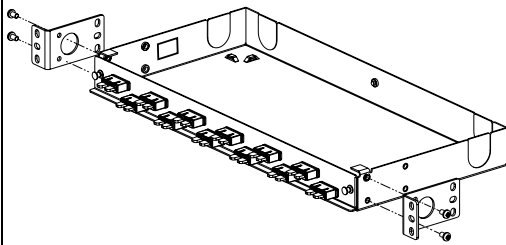
**FOR TECHNICAL SUPPORT CALL: 866-405-6654**



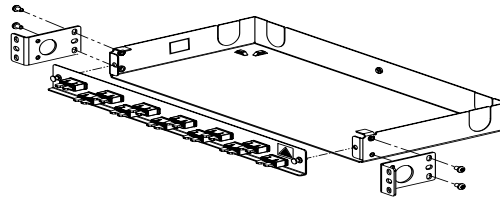
\*Enclosure comes loaded with adapters. Remove the adapter panel by pulling out the plungers.

\*Exception: FT124MC

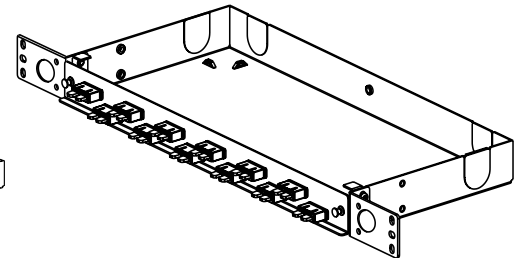
Attach the brackets to the enclosure with the #10-32 screws provided.



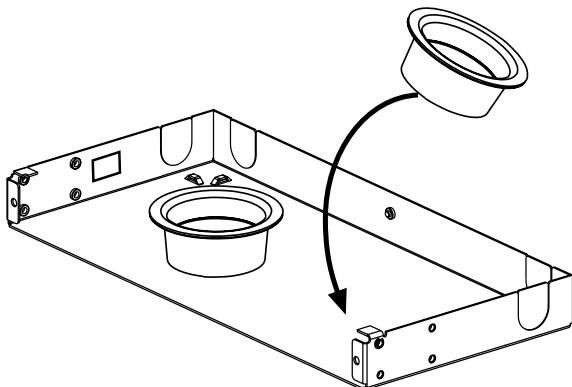
Bracket installation for 19" Rack



Recessed Bracket Installation for 19" Rack



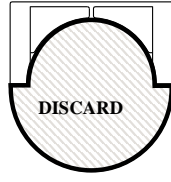
Bracket Installation for 23" Rack



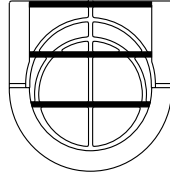
Determine where the spools will be located. Remove the liner from the tape on each spool and place them inside the enclosure.



Cut the small circle for 1" diameter innerduct

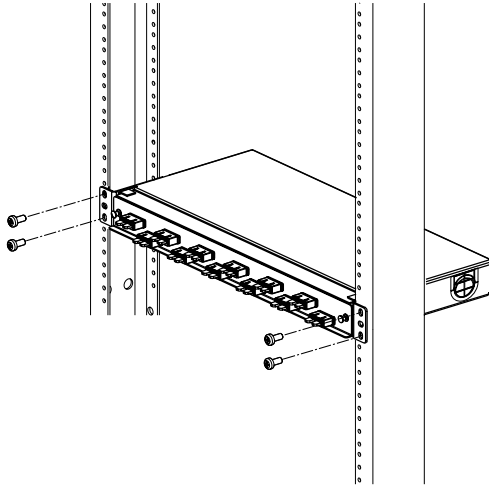


Cut the large circle for the 1-1/2" diameter innerduct

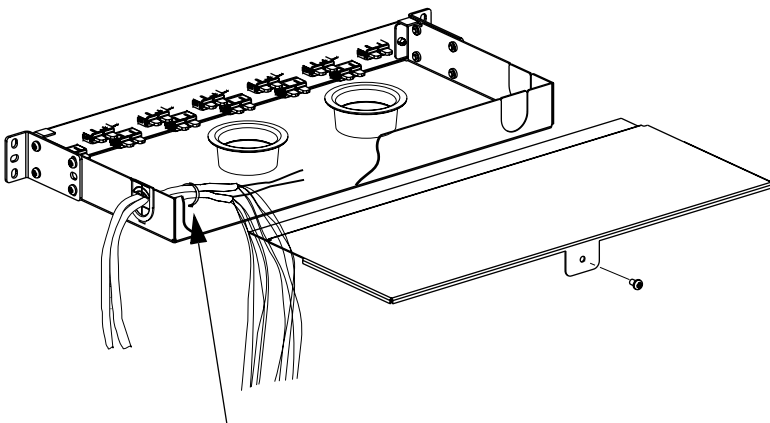


Cut the straight lines when not using any innerduct

**Determine which grommet(s) locations will be used to bring the cable into the enclosure. Pry out the knockouts with pliers. Follow the grommet diagram for cutting directions. Insert grommet in appropriate knockout location.**

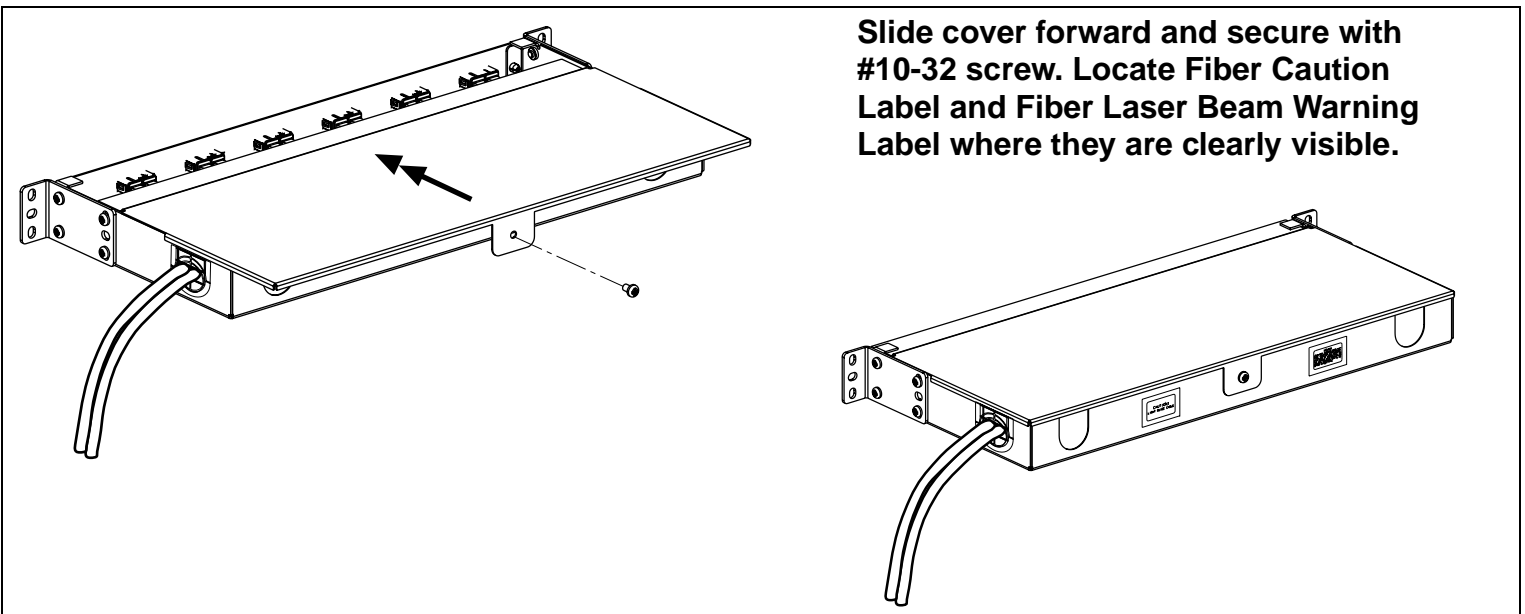
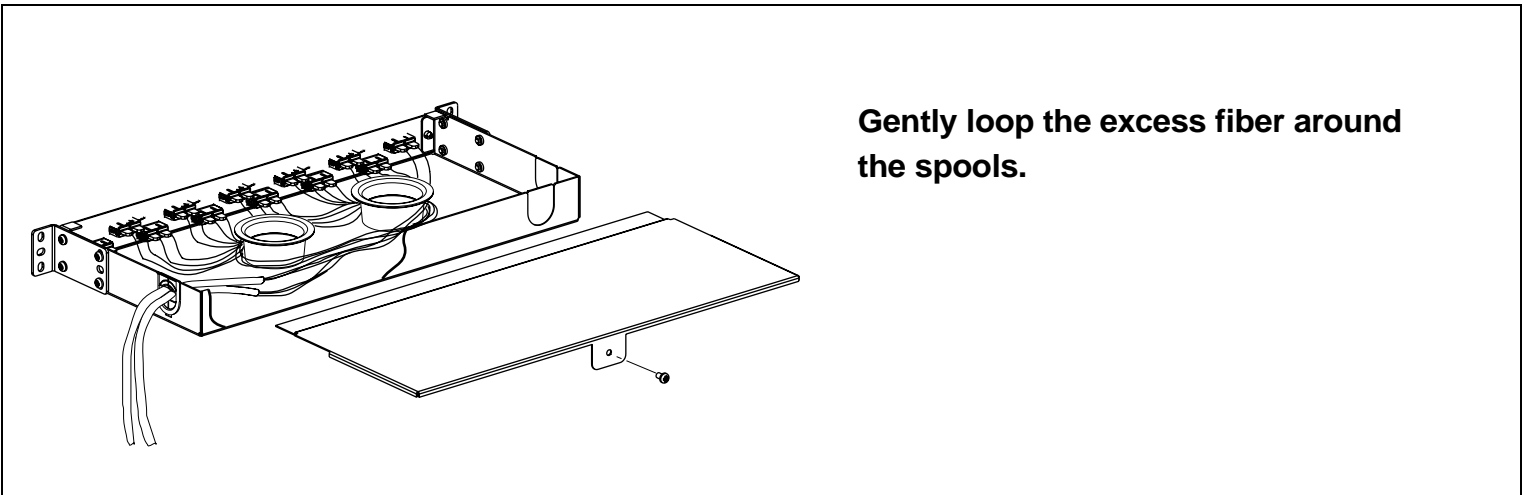
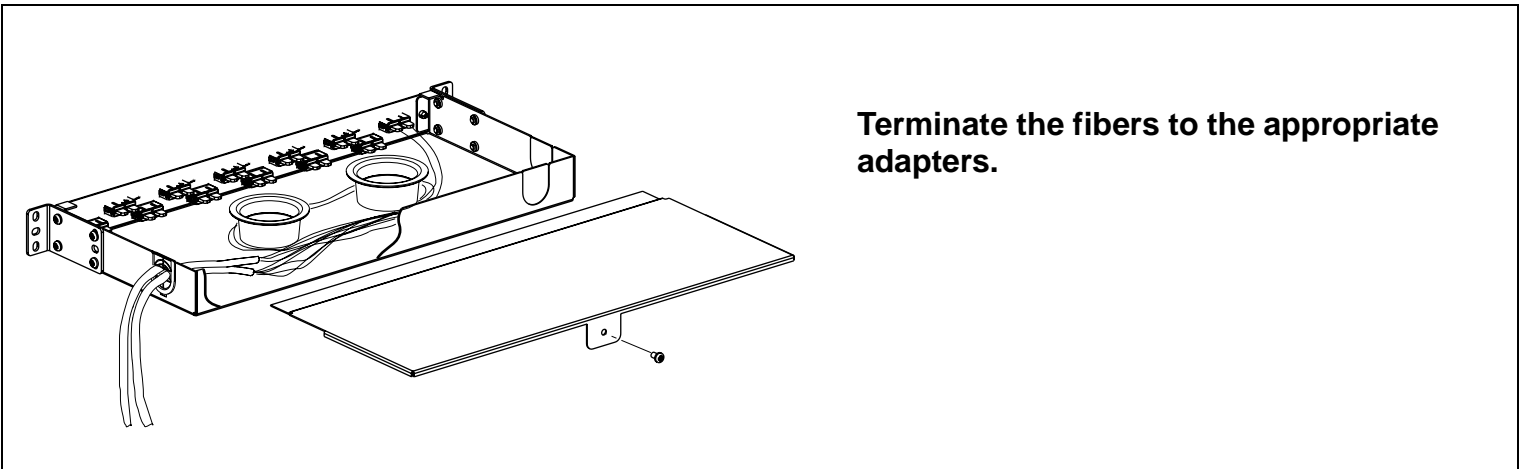


**Enclosure mounts to rack with #12-24 screws or M6 screws.**



**Insert cable through appropriate entry location. Strip one meter of jacket from the end of the cable. Secure the jacketed cable to the integral attachment points using the supplied cable ties.**

Cable tie and integral attachment point



WORLDWIDE SUBSIDIARIES AND SALES OFFICES



NETWORK CONNECTIVITY GROUP

412 Rockwell Court  
Burr Ridge, Illinois 60521

Technical Support: 866-405-6654  
Fax: 708-444-6993

E-mail: [netconnsupport@panduit.com](mailto:netconnsupport@panduit.com)  
Web site: [www.panduit.com/ncg](http://www.panduit.com/ncg)