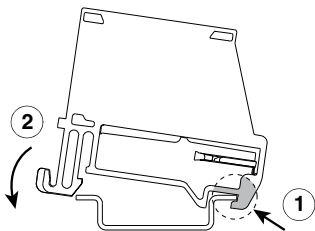
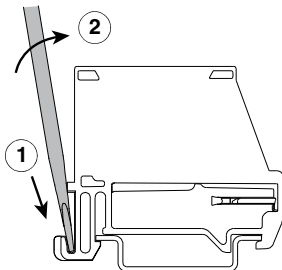


Adapter Installation and Removal

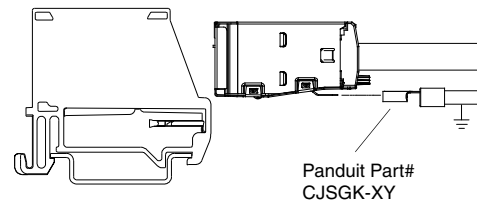
1.



2.

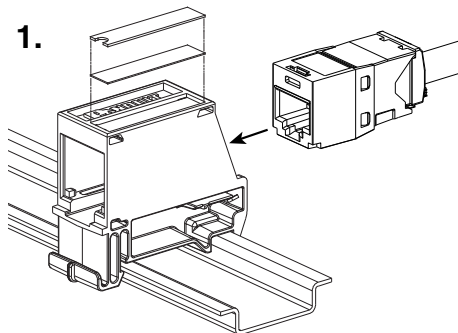


When Used With Shielded Jack Module

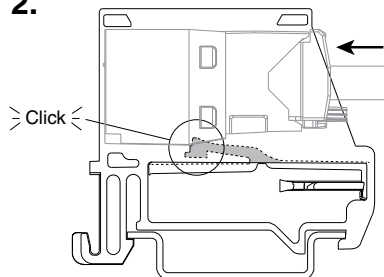


Module / Label / Label Cover Installation

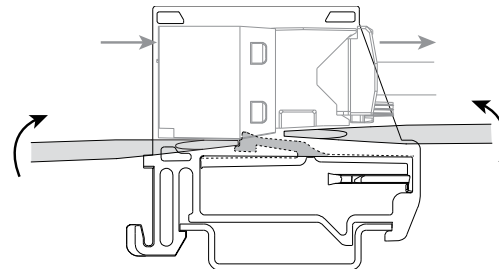
1.



2.



Module Removal



Release latch can be depressed from either side using screwdriver