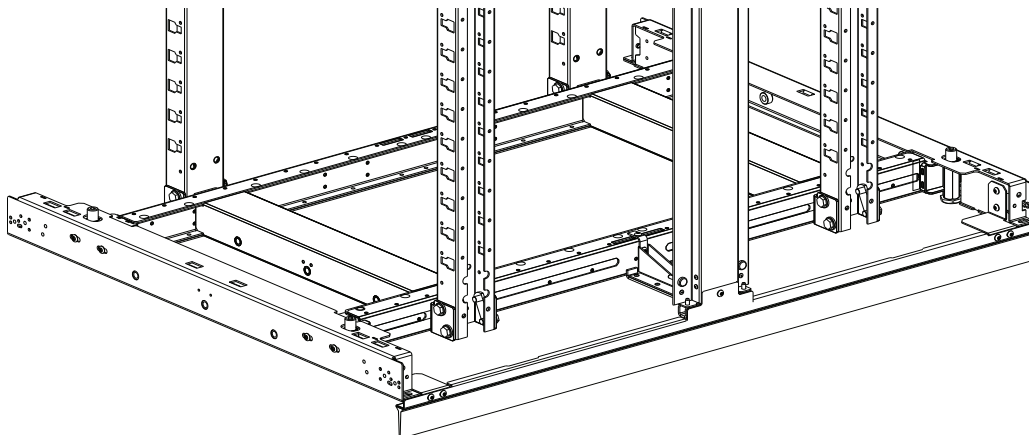
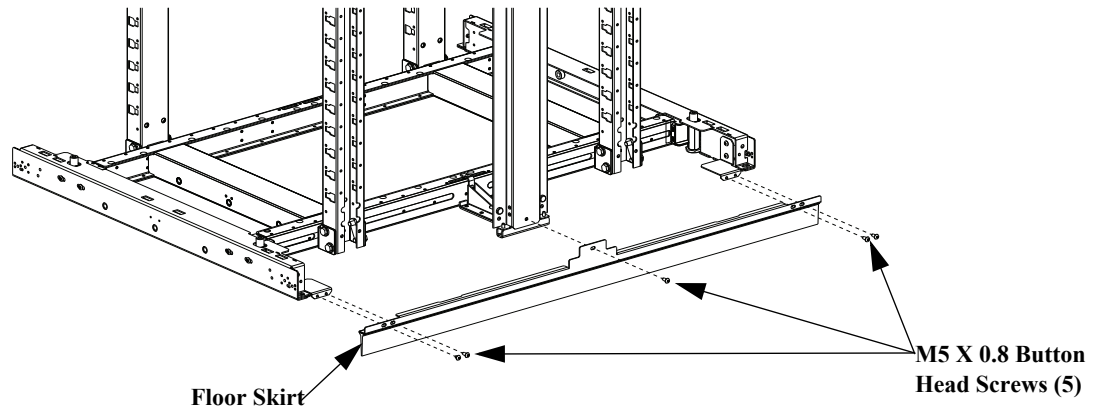
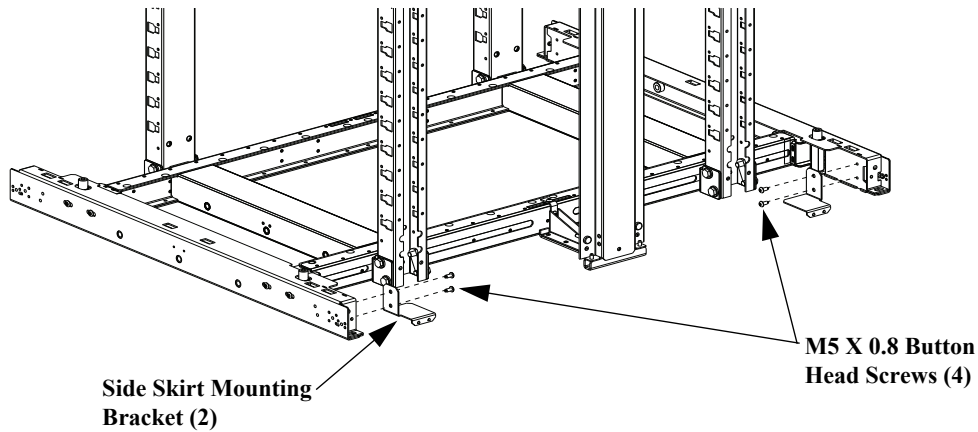


INSTRUCTIONS CM638A

© Panduit Corp. 2013

End of Row Floor Seal Installation With End of Row Side Panel

1. Attach Side Skirt Mounting Brackets to the back of the side to side beams of the frame (front and rear) using (4) M5 x 0.8 Button Head Torx Screws.
2. Attach Floor Skirt to Side Panel Vertical Beam and mounting brackets using (5) M5 x 0.8 Button Head Torx Screws, as shown below.



End of Row Floor Seal Installation With Standard Side Panel

1. Attach (2) Foam Seals to the bottom of the side panel beam, as shown below.
2. Attach (2) Side Skirt Mounting Brackets using (4) M5 x 0.8 Button Head Torx Screws.
3. Attach Floor Skirt to Side Panel Cross Beam and mounting brackets using (5) M5 x 0.8 Button Head Torx Screws.

