






THIS COPY IS PROVIDED ON A RESTRICTED BASIS AND IS NOT TO BE USED IN ANY WAY DETRIMENTAL TO THE INTERESTS OF PANDUIT CORP.

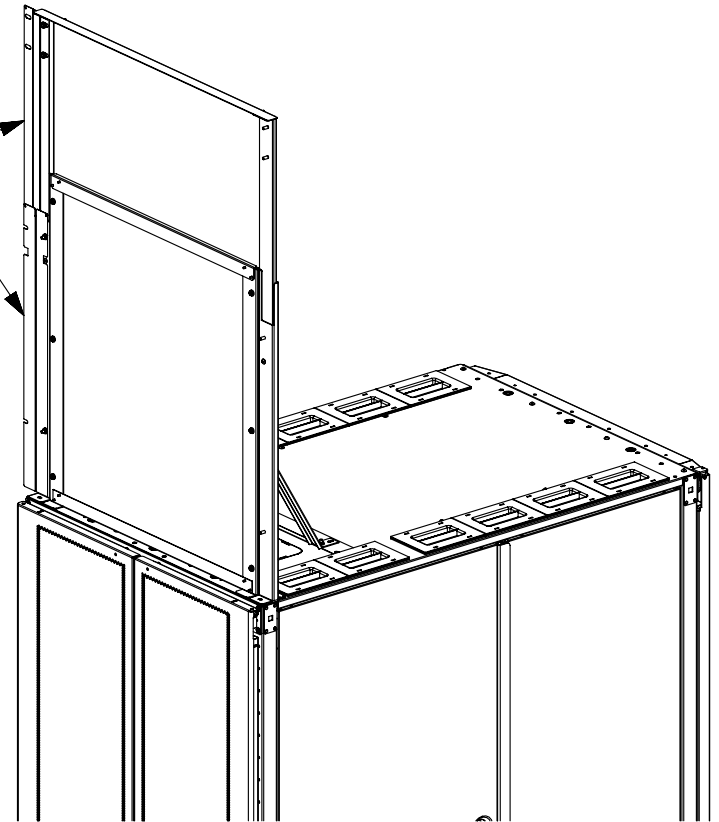
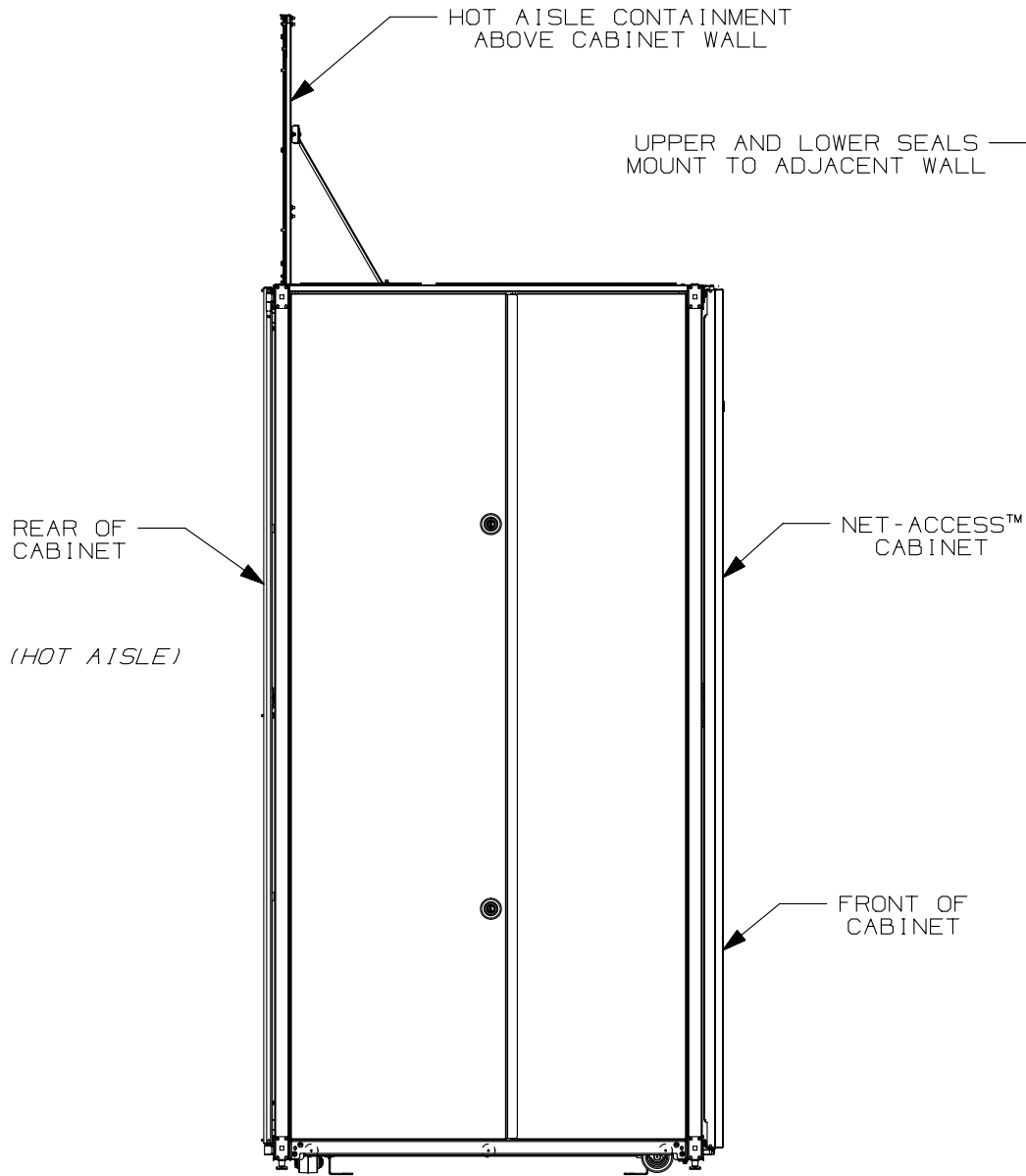
| PANDUIT PART NO. | WIDTH         | WEIGHT                 |
|------------------|---------------|------------------------|
| C2HAC06I1626XX   | 591mm (23.3") | 4.9 Kg (10.8 LBS) EA.  |
| C2HAC06I2638XX   | 591mm (23.3") | 6.5 Kg (14.3 LBS) EA.  |
| C2HAC06I3866XX   | 591mm (23.3") | 9.2 Kg (20.3 LBS) EA.  |
| C2HAC07I1626XX   | 691mm (27.2") | 5.2 Kg (11.5 LBS) EA.  |
| C2HAC07I2638XX   | 691mm (27.2") | 6.8 Kg (15.0 LBS) EA.  |
| C2HAC07I3866XX   | 691mm (27.2") | 9.6 Kg (21.2 LBS) EA.  |
| C2HAC08I1626XX   | 791mm (31.1") | 5.4 Kg (11.9 LBS) EA.  |
| C2HAC08I2638XX   | 791mm (31.1") | 7.0 Kg (15.4 LBS) EA.  |
| C2HAC08I3866XX   | 791mm (31.1") | 9.9 Kg (21.8 LBS) EA.  |
| C2HAC10I1626XX   | 991mm (39.0") | 6.8 Kg (15.0 LBS) EA.  |
| C2HAC10I2638XX   | 991mm (39.0") | 8.4 Kg (18.5 LBS) EA.  |
| C2HAC10I2866XX   | 991mm (39.0") | 11.3 Kg (24.9 LBS) EA. |

\*XX = COLOR  
 B1 = BLACK  
 W1 = WHITE

| REV | DATE | BY | CHK | APR | DESCRIPTION                    | ECN      |
|-----|------|----|-----|-----|--------------------------------|----------|
| --  | ---  | -- | --  | --  | SEE SHEET 1 OF 4 FOR REVISIONS | 12V284MA |

|   |                  |     |   |            |                             |
|---|------------------|-----|---|------------|-----------------------------|
| TITLE<br><b>NET-CONTAIN™ HOT AISLE CONTAINMENT<br/>                 ABOVE CABINET WALL FOR N OR S TYPE CABINETS</b><br>CUSTOMER DRAWING |                  |     |   |            |                             |
| ITEM REVISION NAME<br>12V284MA/00   |                  |     |  |            |                             |
| DATASET FILE NAME<br>12V284MA_DC/00A  |                  |     |   |            |                             |
| MATERIAL:<br>N/A  |                  |     |   |            | DRAWING NUMBER:<br>12V284MA |
| DRAWN BY<br>ERK   | DATE<br>09/04/13 | CHK | SCALE<br>N/A  | SHT 3 OF 4 | SIZE<br>A                   |

THIS COPY IS PROVIDED ON A RESTRICTED BASIS AND IS NOT TO BE USED IN ANY WAY DETRIMENTAL TO THE INTERESTS OF PANDUIT CORP.



|                                |          |   |       |
|--------------------------------|----------|---|-------|
| TITLE                          |          | NET-CONTAIN™ HOT AISLE CONTAINMENT<br>ABOVE CABINET WALL FOR N OR S TYPE CABINETS |       |
| ITEM REVISION NAME             |          | CUSTOMER DRAWING  |       |
| 12V284MA/00                    |          | <b>PANDUIT</b>  |       |
| DATASET FILE NAME              |          |   |       |
| 12V284MA_DC/00A                |          | MATERIAL:   |       |
|                                |          | N/A   |       |
|                                |          | DRAWING NUMBER:   |       |
|                                |          | 12V284MA  |       |
| DRAWN BY                       | DATE     | CHK   | SCALE |
| ERK                            | 09/04/13 |   | N/A   |
| SEE SHEET 1 OF 4 FOR REVISIONS |          | DRAWING NUMBER:   |       |
| 12V284MA                       |          | SHT 4 OF 4  |       |
| REV                            | DATE     | BY  | CHK   |
| ---                            |          |   |       |
| APR                            |          |   |       |
| DESCRIPTION                    |          | ECN   | SIZE  |
|                                |          |   | A     |

2

1