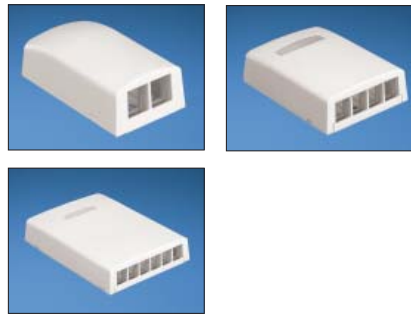


NetKey™ Surface Mount Boxes

Surface mount boxes shall have a low profile design and shall be available in a variety of port densities. Boxes shall accept all NetKey™ Keystone Modules for fiber, copper, and audio/video applications. The boxes shall mount with screws, adhesive, or optional magnets and shall include breakouts for use with surface raceway. Cable tie slots shall be included to provide strain relief on incoming cables.



NetKey™ Surface Mount Boxes*

2-port:	NK2BXIW-A
4-port:	NK4BXIW-AY
6-port:	NK6BXIW-AY

Accessories

Screw cover:	CSC*-X
Label/label cover kit:	CSGLLC-L
Magnet:	CBM-X

technical information

Mounting options:	Mounts easily with screws, adhesive tape, or optional magnet
Material:	Box is made of ABS

key features and benefits

Modular	Accepts all NetKey™ Keystone Modules which snap in and out for easy moves, adds, and changes
Low profile design	Presents a more discreet or inconspicuous look
Raceway breakouts	Compatible with specific surface raceway, conceals cable entering the box
Cover screw	Select boxes provide a screw that secures the cover to the base
Labels and label covers	Select boxes include a label pocket to meet TIA/EIA-606B labeling standards
Magnet pockets	Accept magnets for mounting on metal surfaces; NK2BX*-A, NK4BX*-AY

Part Number	Compatible Raceway	No. of Adhesive Strips	No. of Cable Ties	Label/Label Cover Included	Mounting Screws Included	Magnet Pockets
NK2BX	LD3, LDP3, LD5, LDP5	1	1	No	Yes	1
NK4BX	LD3, LDP3, LD5, LDP5, LD10, LDP10	2	2	Yes	Yes	2
NK6BX	LD3, LDP3, LD5, LDP5, LD10, LDP10	2	2	Yes	Yes	None

applications

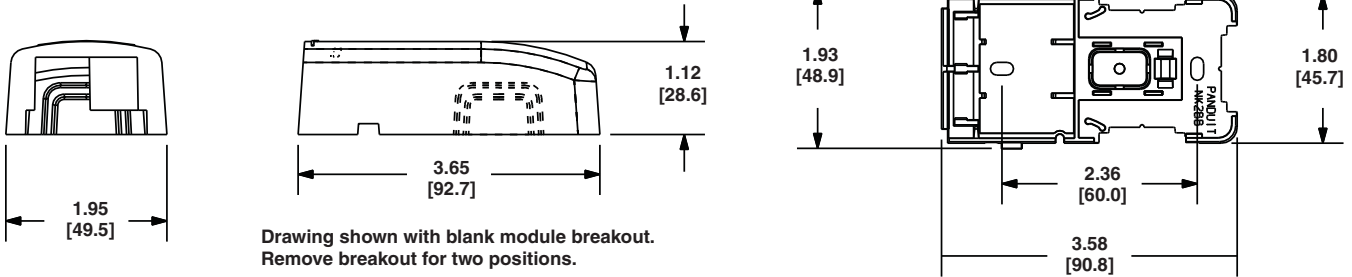
NetKey™ Surface Mount Boxes offer a variety of mounting options, allowing NetKey™ Keystone Modules to be mounted on a variety of surfaces, such as standard walls, metal surfaces, office furniture, etc. Surface mount

boxes include breakouts compatible with Panduit's Surface Raceway system to conceal and allow cable to run into the box providing a point of connection for voice, video, and data applications.

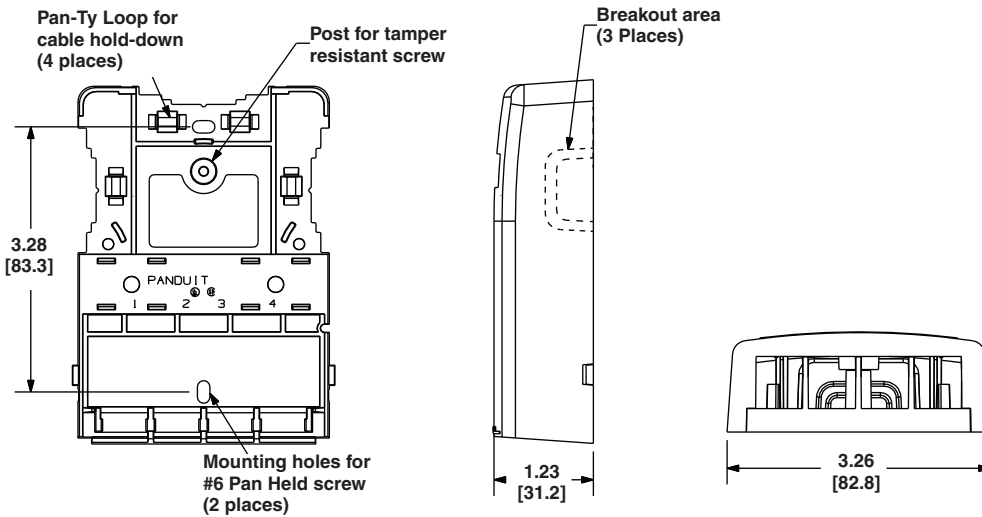
*For standard colors other than IW (Off White), replace suffix with EI (Electric Ivory), WH (White), IG (International Gray), or BL (Black).

NetKey™ Surface Mount Boxes

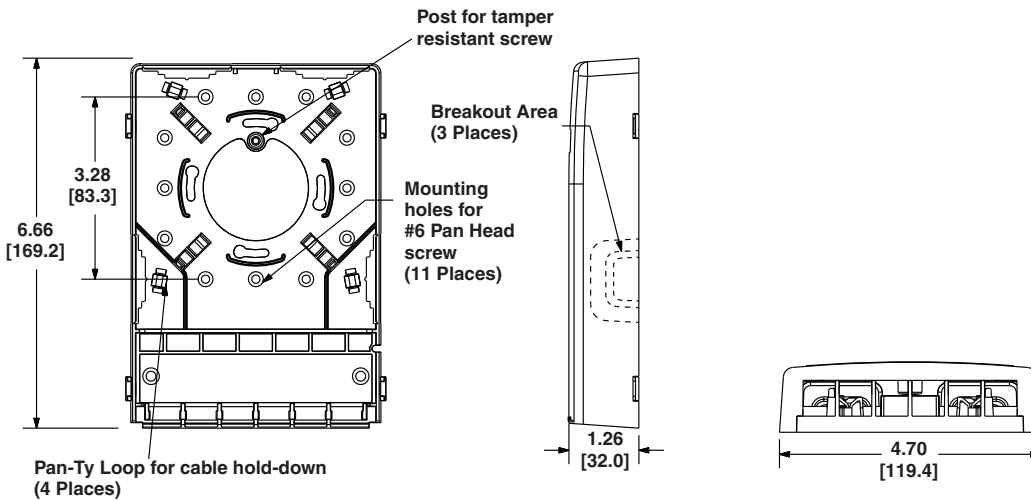
2-Port Surface Mount Box NK2BXIW-A



4-Port Surface Mount Box NK4BXIW-AY



6-Port Surface Mount Box NK6BXIW-AY



Dimensions are in inches. [Dimensions in brackets are metric].

WORLDWIDE SUBSIDIARIES AND SALES OFFICES

PANDUIT CANADA
Markham, Ontario
cs-cdn@panduit.com
Phone: 800.777.3300

PANDUIT EUROPE LTD.
London, UK
cs-emea@panduit.com
Phone: 44.20.8601.7200

PANDUIT SINGAPORE PTE. LTD.
Republic of Singapore
cs-ap@panduit.com
Phone: 65.6305.7575

PANDUIT JAPAN
Tokyo, Japan
cs-japan@panduit.com
Phone: 81.3.6863.6000

PANDUIT LATIN AMERICA
Guadalajara, Mexico
cs-la@panduit.com
Phone: 52.33.3777.6000

PANDUIT AUSTRALIA PTY. LTD.
Victoria, Australia
cs-aus@panduit.com
Phone: 61.3.9794.9020

For a copy of Panduit product warranties, log on to www.panduit.com/warranty

For more information

Visit us at www.panduit.com

Contact Customer Service by email: cs@panduit.com
or by phone: 800.777.3300 and reference

PANDUIT®

©2014 Panduit Corp.
ALL RIGHTS RESERVED
NKDS45--WW-ENG
3/2014