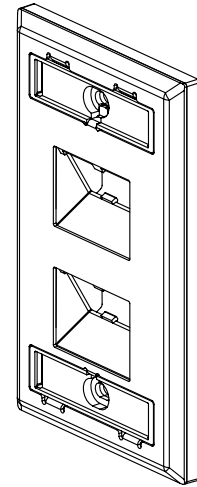
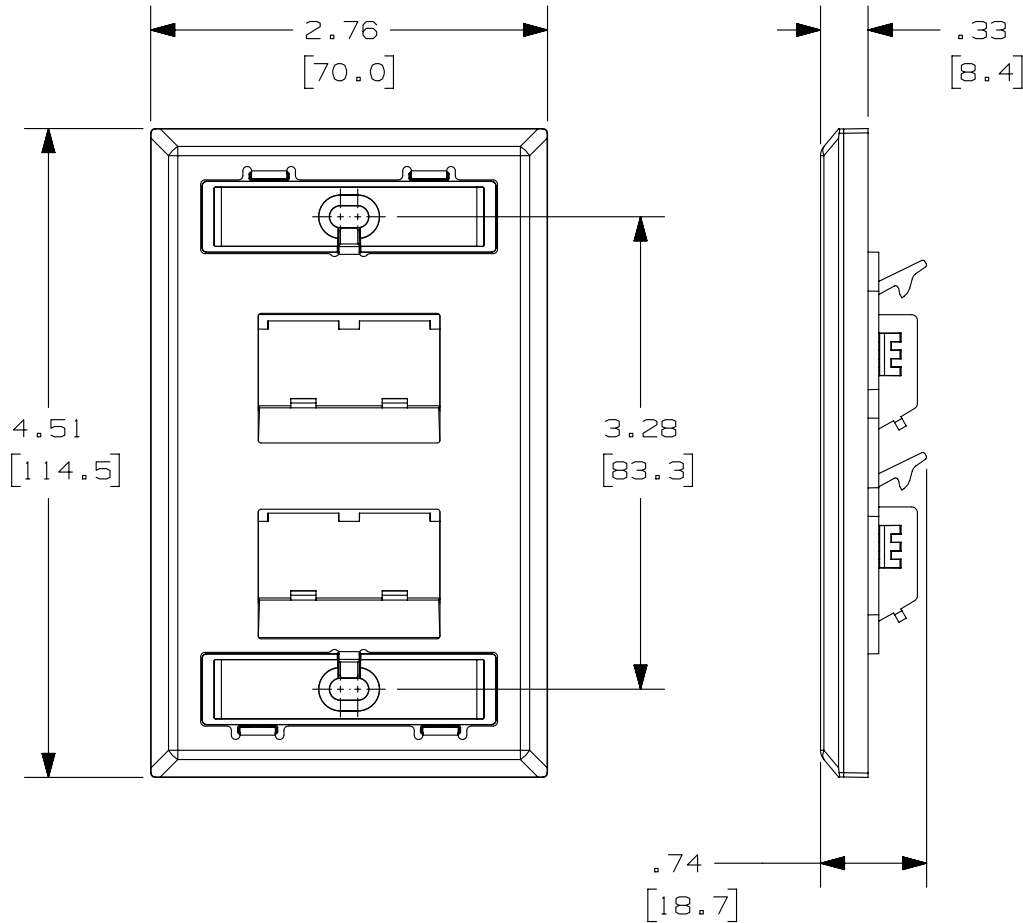


THIS COPY IS PROVIDED ON A RESTRICTED BASIS AND IS NOT TO BE USED IN ANY WAY DETRIMENTAL TO THE INTERESTS OF PANDUIT CORP.

PANDUIT P/N	WEIGHT
CFPSL4S	.92 LB/10 PCS (417.3g/10PCS)

NOTES:

1. SEE CURRENT CATALOG FOR ADDITIONAL PART NUMBER SUFFIXES TO INDICATE COLOR AND/OR PACKAGE QUANTITY.
2. SEE CATALOG FOR COMPLETE LIST OF PARTS APPLICABLE FOR USW WITH THIS PART.
3. DIMENSIONS IN PARENTHESES ARE IN METRIC.
4. PART INCLUDES:
 - 1- FACEPLATE
 - 2- #6-32 MOUNTING SCREWS
 - 2- LABEL
 - 2- LABEL COVER



PART NUMBER		CFPSL4S	
TITLE			
MINI-COM 4 POSITION STAINLESS STEEL SLOPED RECESSED FACEPLATE WITH LABEL COVER CUSTOMER DRAWING			
ITEM REVISION NAME		M02093CA/01	
DATASET FILE NAME		M02093CA_DC02/01A	
UNLESS OTHERWISE SPECIFIED, DIMENSIONAL TOLERANCES ARE: IN (mm)		MATERIAL:	
.x ± .xxx ± .010 [.3] .xx ± .03 [.8] ANGLES ±		FACEPLATE-304 S.S. BACKING-ABS	
DRAWN BY		DRAWING NUMBER:	
BJN		02093CA-02	
DATE		THIRD ANGLE PROJECTION	
8-25-14		SHT 1 OF 1 A	
CHK		SCALE	
JSP		NNOE	

REV	DATE	BY	CHK	APR	DESCRIPTION	ECN
R	8-25-14	BJN	JSP	MMR	RELEASED TO PRODUCTION	02093CA-02

D10100DA/14