



Catalogue | June 2017

# Plastic and metal trunking systems



# Summary

<a href="#">Introduction</a>	<b>1</b>
<a href="#">Applications</a>	<b>2</b>
<a href="#">Mini-trunking</a>	<b>3</b>
<a href="#">Feeder and cable trunking</a>	<b>4</b>
<a href="#">Skirting, dado and floor trunking</a>	<b>5</b>
<a href="#">Wiring ducts</a>	<b>6</b>
<a href="#">Industrial cable tray</a>	<b>7</b>
<a href="#">Support systems for industrial trunking</a>	<b>8</b>
<a href="#">Technical details and assembly instructions</a>	<b>9</b>
<a href="#">Overall dimensions</a>	<b>10</b>
<a href="#">Code list</a>	<b>11</b>



# Introduction

Trunking Systems for Residential and Commercial Installations	1/2
Wiring Ducts: The More Comprehensive the Offer, the More Effective the Work	1/4
Advantages in Daily Jobs	1/5
Halogen Free Thermoplastic Trunking for Maximum Safety	1/6
Metal Closed Base and Perforated Base Cable Trunking: Extended Range for Industrial Applications	1/7
Steel Wire Cable Trays for a flexible, quick, and safe fitting	1/8
Cable Ladders for Maritime Use: High performance and safety for the most difficult applications	1/9
Brief Outline	1/10

# Trunking Systems for Residential and Commercial Installations

1

ABB's plastic and metal trunking systems include several different product types designed to provide more and more specific installation solutions.

ABB's offer for distribution applications includes devices and equipment for managing electricity end-users and optimizing safety and comfort at home, in offices, shops, etc. Now ABB's product range is even more comprehensive and allows to design "state-of-the-art" technology solutions. In this respect, wiring and trunking products are fundamental instruments to ensure high safety standards and meet certain exterior design requirements for installations.

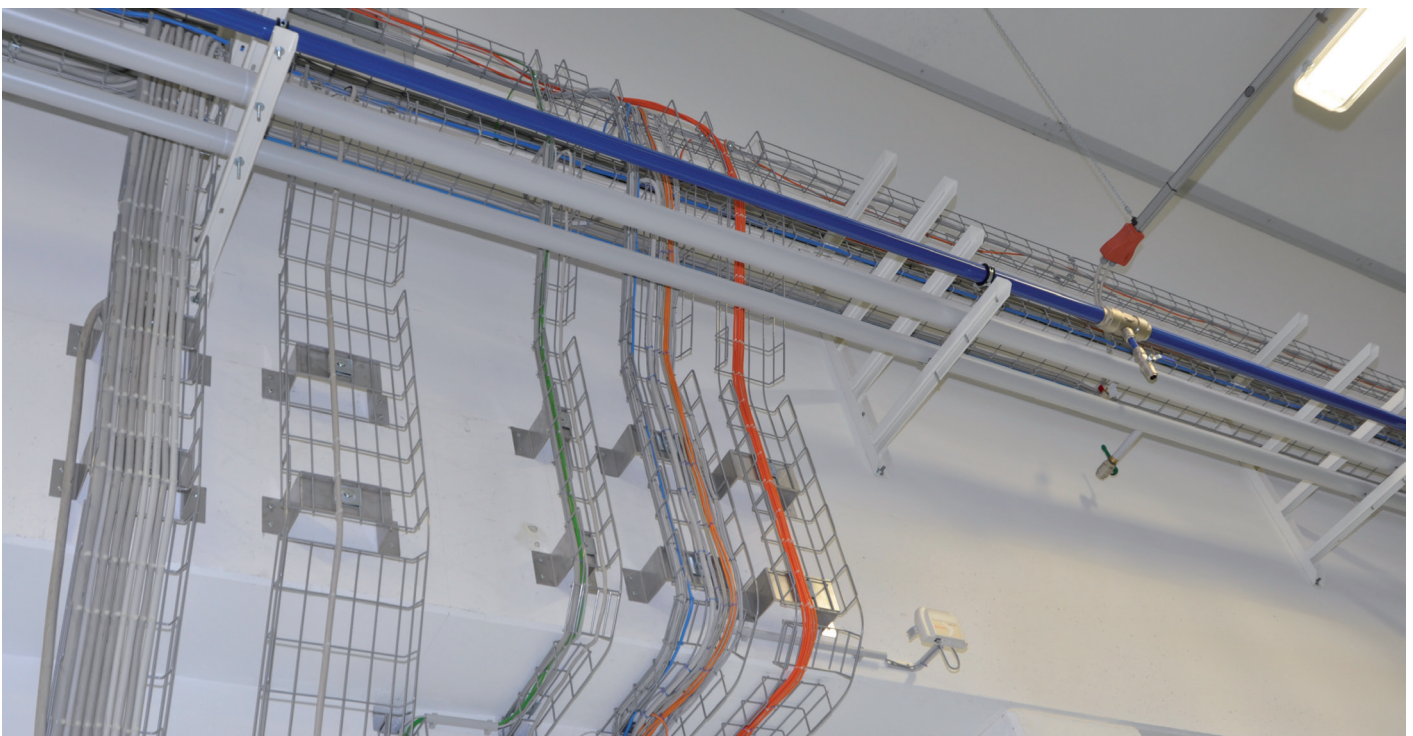
This category includes different product families with different technical details, construction materials, and intended use.

**Self-adhesive mini-trunking** is available in two versions: Without cover, to connect single press-cables for antenna, phone, and electric circuits; With hinged cover, to facilitate cable routing during installation.

**Equipped mini-trunking**, available both with standard cover and with adhering cover (removable with the help of a tool), this product can be used as both cable retainer and equipment retainer (switch/socket boxes, cell phone towers, etc.) and can be wall- or ceiling-mounted.

**Cable and equipment retainer** made of thermoplastic material. Several different models available for a wide range of applications. You can choose the type of trunking that best fits your application. Wide range of accessories available. All the trunking in this product line can be wall- or ceiling-mounted using anchors. Cable and equipment retainer trunking versions available, which can be equipped with separators to isolate the various circuits in telephone, computer, and emergency installations, etc.

**Skirting and Dado trunking** includes three compartments for separate hosting of antenna, power, and telephone cables.



**Equipped floor trunking**, equipped with three compartments, is specifically designed to resist to crushing.

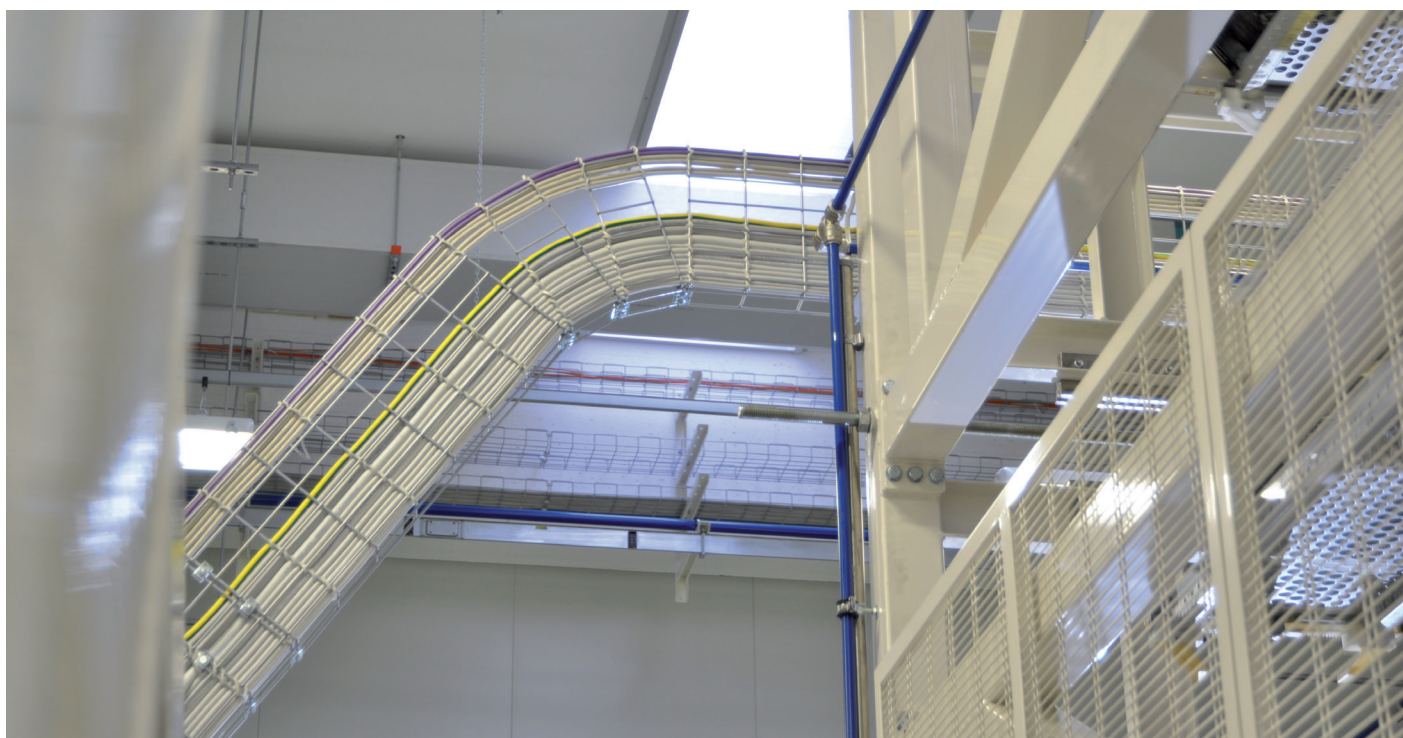
**Plastic trunking and trays for industrial use** are specifically designed for use in industrial environments and in all those installation environments where maximum cable ventilation is a requirement. You can choose the closed base or the perforated base versions, in six different sizes, and both types are equipped with the same closing cover.

**Wiring ducts** are made of HALOGEN-FREE thermoplastic material. They allow fast and simple wiring and are extremely space-efficient.

**Metal trunking and trays for industrial use** include trunking made of Galvanized metal and hot dip metal Galvanized after fabrication according to CEI 7.6 and BS 729 and cable ladders for maritime applications. This product line includes all necessary accessories for the most complex in-plant applications, in addition to a comprehensive and versatile solutions for trunking suspension

**Steel wire cable trays**, for industrial use are an innovative and reliable solution for power distribution. They are particularly fit for industrial, maritime, and commercial applications requiring a fast and flexible installation of trunking systems. The trays are made of robust but light and easy-to-handle steel wire. They can be quickly and safely cut, bent, curved and assembled into different configurations even after installation.

ABB's comprehensive experience in designing and manufacturing trunking systems for plastic and metal cables and ducts allows us to offer a full product line able to meet any specific needs of designers and installers. High production and quality control standards ensure full compliance to even the most stringent functional and visual appearance requirements. ABB's trunking systems can be used for residential and commercial applications, such as the renovation and extension of existing buildings.



# Wiring ducts: a comprehensive offer, an efficient the job

1

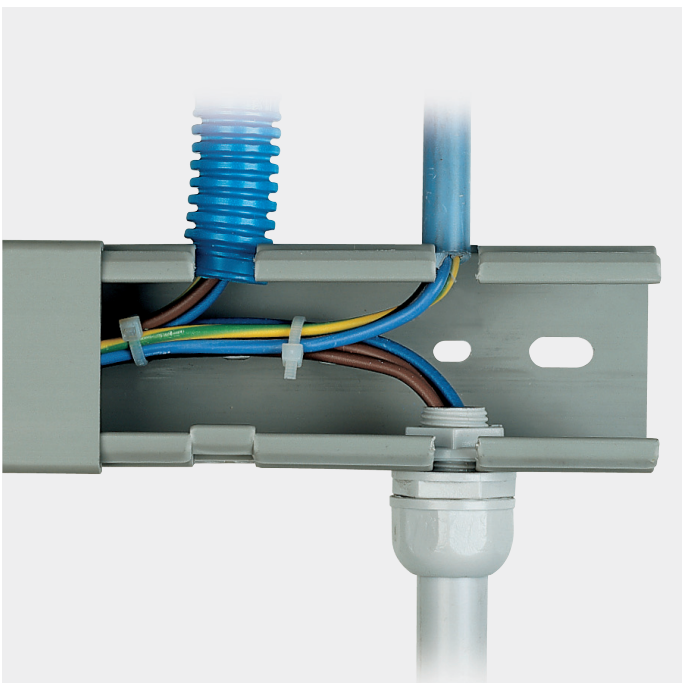
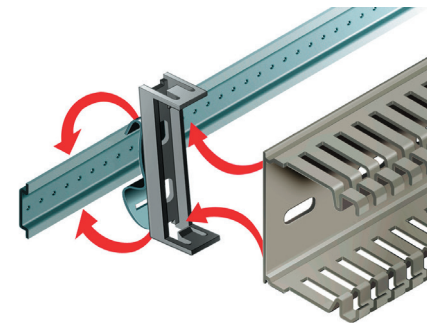
The totally new range of ABB wiring ducts also includes products for specific applications.

The top profile of the ribs of all the wiring ducts has been redesigned to make the cover easier to open and close and to make sure that it snaps on even more safely thanks to its new rounded shape that makes wiring operations easier. If you need more room for cables, six new 100-mm high ducts are now available on 25, 40, 60, 80, 100 and 150-mm bases, in addition to the traditional ones with heights from between 17 and 80 mm.

The new wiring ducts with standard measurements of 50 x 50 mm and 100 x 60 mm with circular lateral knockouts, on the other hand, have been designed for the branch connection of rigid and corrugated conduits in specific applications, such as in the lift sector.

The best solution for connecting panels and doors with compass opening mechanisms, and in general, for all applications where cables are subject to bending and twisting, is the new flexible duct in thermoplastic material available in seven sizes, that can be bent or twisted without breaking. Made in thermoplastic, ABB SACE wiring ducts are used in electrical consumer units, in applications with a rated voltage of up to 1000 V in alternating current and 1500 V in direct current.

In all installation contexts, they stand out for their high installation speed as they can be snapped onto the Fix-O-rapid – the accessory specially designed for fastening onto DIN rails and mounting plates.





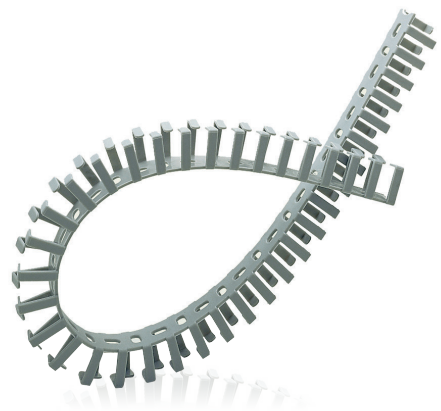
# Advantages in daily jobs

ABB's cable trunking systems combine strength and versatility, thus ensuring perfect tightness and streamlining wiring operations.

The different sizes and resistance of the ribs in ABB wiring ducts ensure repeated splaying during wiring while still making it possible to eliminate the rib, breaking it cleanly and neatly using the special knockout. The knockouts on the base of the walls also make it possible to cut the edge itself when creating branch connections.

Controlled splaying of the sides of the wiring duct also ensures that the cover is sealed perfectly even in vertical sections and in high temperatures. In particular in the 80 and 100-mm high versions, special cable holder mouldings located halfway along the straight section of the ribs further reinforce the structure.

The out of phase, slightly inward-angled design of the ribs, in the flexible wiring ducts, makes it easy to insert and extract cables, while the fact that there is no cover makes it possible to monitor their position constantly. These wiring ducts can be fastened with screws and rivets or with pre-mounted bi-adhesive tape that sticks strongly to steel.



# Halogen free thermoplastic trunking for maximum safety

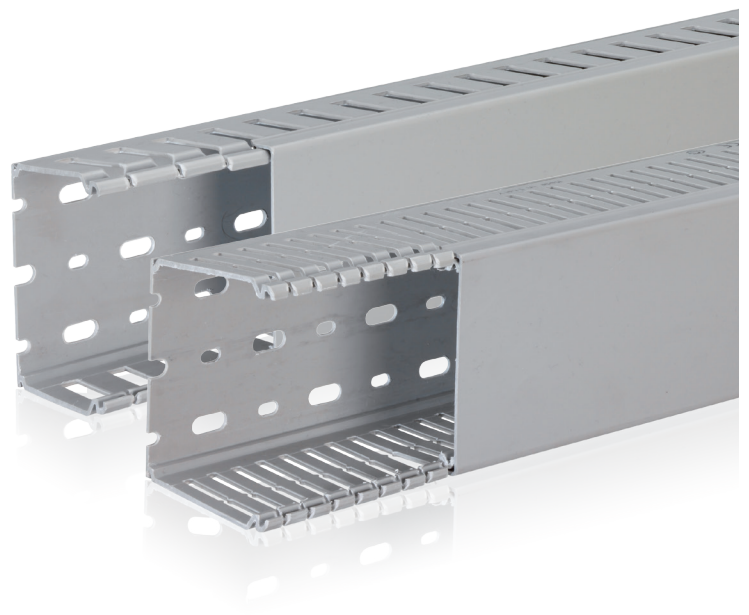
1

ABB has produced a new version of its trunking to satisfy higher safety standards, including in the range its new wiring ducts in halogen free thermoplastic in compliance with VDE 0472 Part 815 Standard.

ABB has always attached maximum importance to safety and we aim at enhancing our offer to include more and more solutions that help construct protected plants and environments. To be able to meet even the most stringent safety standards, ABB trunking product line includes a number of products particularly fit for the wiring needs in dangerous areas, such as areas at risk of fire. We are referring to halogen-free thermoplastic wiring ducts, which can be considered as the optimum solution for all those environments where safety is an absolute "must".

These products are made of HALOGEN-FREE thermoplastic material compliant with VDE 0472, Part 815. The material is insulating, anti-shock and self-extinguishing (according to UL 94 V0). It can also resist to extreme temperatures and flame up to 850 °C (glow wire test) according to IEC 695-2-1. Available in Color Grey RAL 7035 with 8/2 mm and 4/6 mm guides. The halogen free thermoplastic wiring ducts have the same strength and ease of use of the others products in this line, but offer extended advantages in terms of structural features.

For example, their material is ideal in case of fire: during the first four minutes from a fire outbreak it is dramatically important that the opacity of fumes is as low as possible to allow the involved persons to leave the hazardous areas. This HALOGEN-FREE material, in addition to preventing fire propagations, releases almost fully non-toxic gases e low-opacity fumes, thus facilitating the evacuation. HALOGEN-FREE thermoplastic cable ducts are ideal for use in a wide range of environments and conditions. For instance, in malls, movie theaters, theaters, schools, congress centers, areas with special safety requirements (such as underground zones, subway stations, bank vaults), various types of industrial plants (petrochemical, off-shore platforms, power plants) and, more generally, in applications involving switchboards.



# Metal cable trunking

The metal cable trunking manufactured by ABB solve a variety of commercial and industrial wiring needs regardless of the environment.

1

Manufactured from carbon steel, hot dip Galvanized after fabrication the cable trunking is resistant to harsh solid and performant environments. The trays are rated IP40 and IP20 respectively.

The particular profile moulding and the very thick plate used also give excellent mechanical properties. For these reasons they are ideal for all types of industrial applications, even in special conditions: for example, where there are high concentrations of humidity or salinity, where acids are used or when very thick or large quantities of cables are required (such as in the petrochemical and iron and steel industries, power stations and underground or maritime installations). Easy to mount, practical, safe and equipped with snap-on covers, the new cable trays can be fastened to the ceiling or to the wall, making it possible, thanks to the wide range of trunking, corners, reducers and accessories, to satisfy all trunking requirements without any problems.

Closed/punched base cable trays, together with cable ladders and trunking systems in sendzimir, hot dip Galvanized after production, make ABB SACE metal trunking systems the answer to all requirements, in any kind of application context.

ABB's metal trays are strong and perfectly fit for the most complex applications. They are ideal for all types of industrial applications, even in special conditions: for example, where there are high concentrations of humidity or salinity, where acids are used or when very thick (Red Thickness) cables or large quantities of cables are required (such as in the petrochemical and iron and steel industries, power stations and underground or maritime installations). ABB's metal trays are designed to streamline installers' daily work and they meet all the technical and safety requirements to this purpose. Easy to mount, practical, safe and equipped with snap-on covers, the new cable trays can be fastened to the ceiling or to the wall, making it possible, thanks to the wide range of trunking, corners, reducers, and accessories, to meet all trunking requirements without any problems.

As already outlined above, this category also includes Sendzimir trunking, available in two versions: 50 mm standard height and six different base sizes, with closed base or perforated base, and in color Galvanized; 75 mm standard Height and seven base sizes, closed base or perforated base and in color Bright Blue, RAL 7035 Grey e Galvanized. (This category also includes 17-micron carbon steel electrogalvanized ladders, 45 mm height, specifically designed for maritime use).



# Steel wire cable trays for a flexible, quick and safe fitting

1

ABB's steel wire cable trays have special structural features that facilitate cable routing and make them particularly fit for installations in extreme operation conditions.

ABB's steel wire cable trays are a reliable solution for power distribution, particularly for installation environments where cable routing requires flexibility and quickness.

Thanks to their structural features, ABB's steel wire cable trays are particularly fit for industrial, maritime, and commercial applications, particularly under extreme operating conditions.

ABB's steel wire trays are available in three different lengths - 35 mm, 50 mm, 75 mm, and 100 mm - and can be equipped with covers and couplers which allow maximum flexibility in cable routing, thus avoiding rigid detailing during the cabling design stage. For cable routing you just need few tools and accessories and you can adapt cable routing paths to your specific real-time needs. ABB's steel wire trays also streamline your accounts. Indeed, their versatility simplifies estimate preparation, ordering, and inventorying, for which you just need to calculate the overall number of linear meters for the straight elements and add the quantity of coupling elements. ABB's steel wire trays offer enormous advantages in terms of ease of installation. They prevent cable overheating and dirt build-up, thus preserving the optimum conditions for cable routing. Easy access to the cabling ducts allows you to insert couplers at any point of the cable route and facilitates inspection activities. ABB's steel wire trays are made of a robust but light and easy-to-handle steel wire. The special properties of this material facilitate cable routing and ensure maximum flexibility, so that you can design innumerable cabling configurations, which can be easily modified at any subsequent point in time after installation. The high quality and special characteristics of the material of which the trays are made make them fit for use in extreme operating environments. In particular, the 75-micron lining of the painted version increases their resistance to saline fog by up to 300% as against any similar products of the competition. During cable routing you can equip the trays with all the necessary couplers, corners, shelves and other products of the ABB metal trunking range to create the cabling configuration you have in mind.

## Finishing Features

### V = Painted

The 75-micron lining obtained with thermosetting, epoxy-polyester powder ensures an accurate finishing, which is perfectly fit for indoor applications.

### GAC = Hot dip galvanized after fabrication

Hot dip Galvanization ensures a finishing fit for outdoor applications and/or applications in aggressive environments.



ELECTRO-  
GALVANIZATION

PAINTED  
GALVANIZATION

# Cable ladders for Marine use: high performance and safety for the most difficult applications

ABB's cable ladders for maritime use perfectly meet the stringent requirements of maritime applications and of many other applications in extreme operating environments.

ABB's activity in the maritime industry is quite meaningful and our leadership is based on knowledge and experience acquired over many years of technology innovation.

The term "maritime applications" refers to ships' on-board applications (from mini-yachts to huge cruisers), but also to off-shore platform applications.

ABB offers a wide range of installation solutions for on-board power distribution systems, which perfectly meet all the requirements of this very specialized market.

The installation of electrical components in special environments, such as ships, ferries and other vessels, require specific technical details. Environmental conditions on board of ships are normally very critical. The marine environment is characterized by high levels of humidity and harsh installation conditions mainly due to want of space, and temperatures that often increase well beyond the normal threshold.

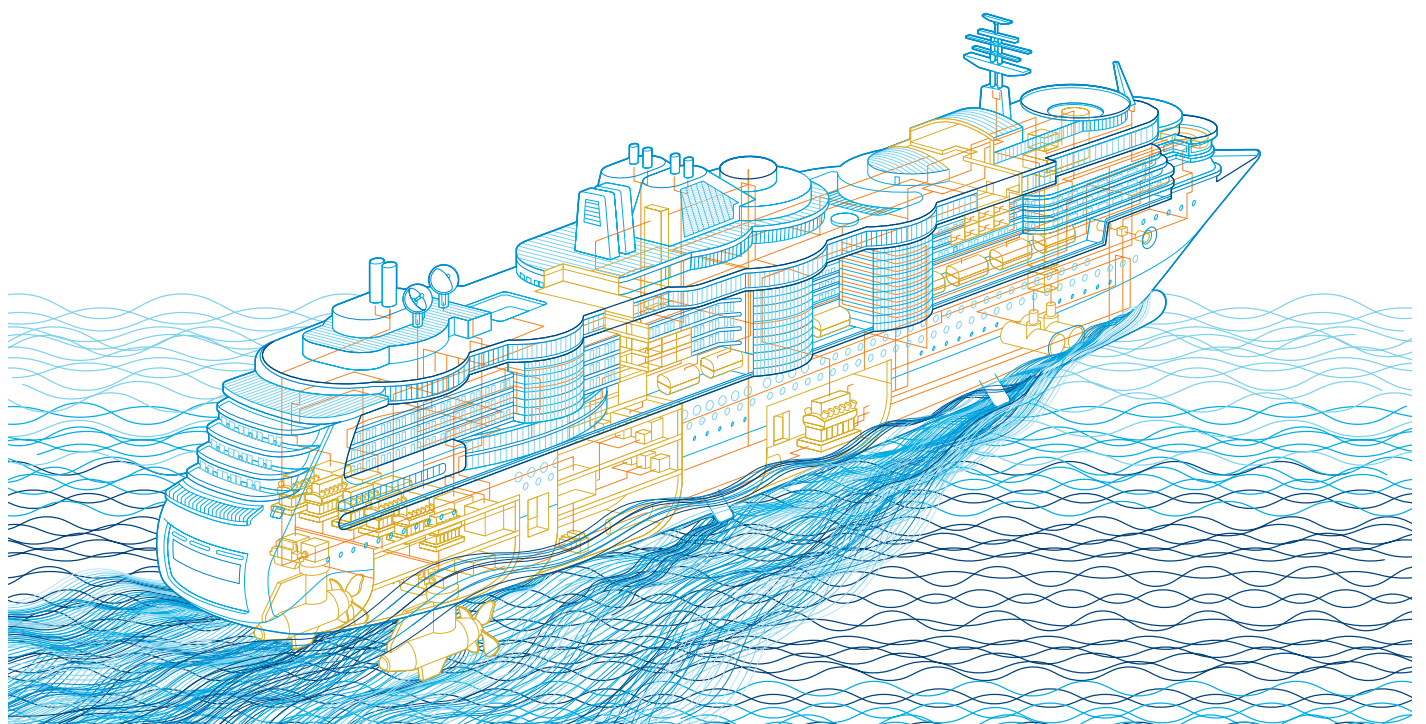
Moreover, these environments are often exposed to mechanical stresses, such as vibration produced by the ship's movement or engines.

All these factors contribute to creating an extremely critical and complex environment that requires the use of particularly robust materials.

ABB's 45-mm-height cable ladders, fabricated in electrogalvanized carbon steel with 17-micron zinc lining, meet all these challenging needs. Their fitness for use in the maritime industry is guaranteed by their full compliance to UNAV standards.

ABB's range of cable ladders, available in base lengths 150 mm to 600 mm, includes straight elements 3 meters long, 90° flat corners, several models of flanged sheet-metal profiles, flat punched profiles, corner profiles with side slots, "U" profiles, ribbons, buckles, bars, rods, joints and other accessories allowing the creation of the most complex trunking configurations.

While the natural application field for this product line is the maritime industry, ABB's cable ladders can also be used for all kinds of installations where special needs require special solutions.

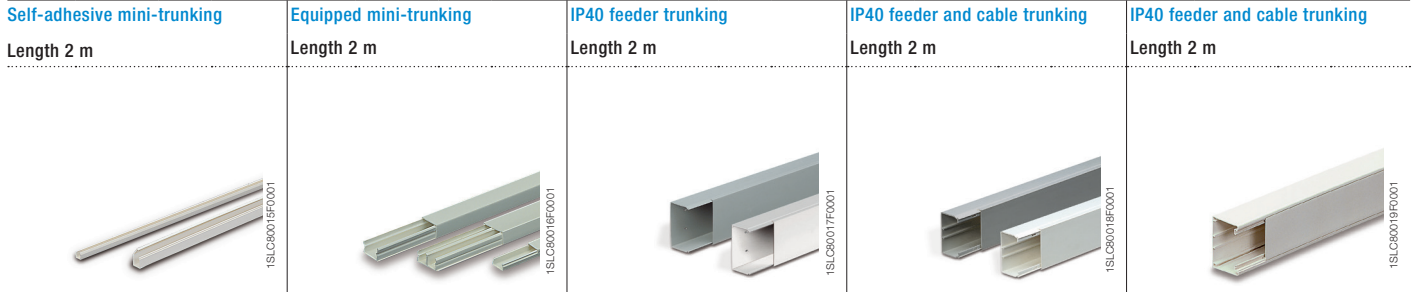


# Introduction

## Brief outline

### 1 Plastic trunking

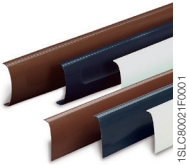





#### Type



#### Color, code, dimensions

Color	Code	Base (mm)	Height (mm)	Color	Code	Base (mm)	Height (mm)	Color	Code	Base (mm)	Height (mm)	Color	Code	Base (mm)	Height (mm)	Color	Code	Base (mm)	Height (mm)	
<b>Without cover</b>				<b>With standard cover</b>				(B)	43 002	40	40	(B)	43 085	100	68	(B)	44 010	50	68	68
(B)	41 010	7,5	7	(B)	41 080	20	(E)	03 042		(B)		03 115	40	(B)			44 012	100		
	41 015	10	9	(B)	41 081		(B)	43 003	60		(B)	43 086	120			44 014	150			
	41 020	12	11	(B)	41 083	30	(E)	03 043			(E)	03 116				44 016	200			
<b>With hinged cover</b>				<b>With adhering cover</b>				(B)	43 004	80	60	(B)	43 095	100	80					
(B)	41 040	4,5	9	(B)	41 110		(E)	03 044		(B)		03 125								
	41 045	7		(C)	01 160	15	(B)	43 005	100		(B)	43 096	120							
	41 050	12,5	12	(D)	01 180		(E)	03 045	120		(E)	03 126	60							
	41 055	17	17	(B)	41 091	30	(B)	43 006	120		(B)	43 097	150							
				(B)	41 092	40	(E)	03 045			(E)	03 127								
				(B)	41 093	60	(B)	43 013	60		(B)	43 098	200							
				(B)	41 117	25	(E)	03 053	60		(E)	03 128								
				(B)	41 119	40	(E)	43 014	80		(B)	43 105	150							
				<b>With adhering cover</b>				(E)	03 054			(E)	03 137							
				(B)	41 101		(B)	43 015	100	60	(B)	43 106	200							
				(C)	01 151	20	(E)	03 055			(B)	43 106								
				(D)	01 171		(B)	43 016	120		(E)	03 138								
				(B)	41 103	30	(E)	03 056	120											
				(B)	41 104		(B)	43 017	150											
				(B)	41 106	40	(E)	03 057	150											
				(B)	41 111	15	(B)	43 018	200											
				(B)	41 113		(E)	03 058	200											
				(B)	41 114		(B)	43 025	100	80										
				(C)	01 163	30	(E)	03 065			(B)	43 026	120							
				(D)	01 183		(E)	03 066			(E)	03 066	120							
				(B)	41 115	40	(B)	43 027	150		(E)	03 067	150							
				(B)	41 116	60	(E)	03 067			(B)	43 028	200							
				(B)		60	(E)	03 068	200											

<b>Color</b>	(B) RAL 9016 white	(B) RAL 9016 white (C) RAL 7035 grey (D) RAL 8014 brown	(B) RAL 9016 white (E) RAL 7030 grey	(B) RAL 9016 white (E) RAL 7030 grey
<b>Quality mark</b>	-	IMQ	IMQ	IMQ
<b>Field of application</b>	Residential	Residential	Residential and commercial	Residential and commercial
<b>Branch connection accessories</b>	No	Yes	Yes	Si
<b>Accessories for equipment</b>	No	Yes, external	Yes, external	Yes, external
<b>Reference</b>	Page 3/2	Page 3/4	Page 4/2	Page 4/4-4/17

Type	Halogen free thermoplastic wiring ducts	Wiring ducts with vertical slots 8/12	Wiring ducts with vertical slots 4/6	Flexible thermoplastic wiring ducts	Wiring ducts with circular knockouts
Skirting, dado and floor trunking	Length 2 m	Length 2 m	Length 2 m	Length 50 cm	Length 2 m
					

**Color, Code, dimensions**

Color	Code	Base (mm)	Height (mm)	Color	Code	Base (mm)	Height (mm)	Color	Code	Base (mm)	Height (mm)	Color	Code	Base (mm)	Height (mm)	Color	Code	Base (mm)	Height (mm)	Color	Code	Base (mm)	Height (mm)	
<b>Base for skirting and dado</b>				<b>8/12 mm slots</b>																				
(B)	42 010	85	21,7		1SL9019A00	15	17		05 019	15	17		05 119	15	17		05 400	12,5	12,5	(E)	05 330	50	50	
(L)	02 011				1SL9033A00	25			05 033	25			05 133	25			05 402	16	16	(E)	05 331	100	60	
<b>Cover for skirting</b>					1SL9035A00	40	30		05 035	40	30		05 135	40	30		05 405	20	20					
(B)	42 015				1SL9037A00	60			05 037	60			05 137	60		(F)	05 410	25	25					
(L)	02 016	85	21,7		1SL9043A00	25			05 043	25			05 143	25			05 415	30	30					
(D)	02 017				1SL9045A00	40			05 045	40			05 145	40			05 420	40	40					
<b>Cover for dado</b>					1SL9047A00	60	40		05 047	60	40		05 147	60	40		05 425	50	50					
(B)	42 012				1SL9049A00	80			05 049	80			05 149	80										
(L)	02 013	85	21,7		1SL9051A00	100			05 051	100			05 151	100										
(D)	02 017				1SL9053A00	120			05 053	120			05 153	120										
				(G)	1SL9063A00	25			05 063	25			05 163	25										
					1SL9065A00	40			05 065	40			05 165	40										
					1SL9067A00	60	60	(G)	05 067	60	60	(G)	05 167	60	60									
					1SL9069A00	80			05 069	80			05 169	80										
					1SL9071A00	100			05 071	100			05 171	100										
					1SL9073A00	120			05 073	120			05 173	120										
					1SL9083A00	25			05 083	25			05 183	25										
					1SL9085A00	40			05 085	40			05 185	40										
					1SL9087A00	60	80		05 087	60	80		05 187	60	80									
					1SL9089A00	80			05 089	80			05 189	80										
					1SL9091A00	100			05 091	100			05 191	100										
					1SL9093A00	120			05 093	120			05 193	120										
					<b>4/6 mm slots</b>					05 094	25			05 194	25									
					1SL9119A00	15	17		05 095	40			05 195	40										
					1SL9133A00	25			05 096	60			05 196	60										
					1SL9135A00	40	30		05 097	80	100		05 197	80	100									
					1SL9137A00	60			05 098	100			05 198	100										
					1SL9143A00	25			05 099	150			05 199	150										
					1SL9145A00	40																		
					1SL9147A00	60	40																	
					1SL9149A00	80																		
					1SL9151A00	100																		
					1SL9153A00	120																		
				(G)	1SL9163A00	25																		
					1SL9165A00	40	60																	
					1SL9167A00	60																		
					1SL9169A00	80																		
					1SL9171A00	100																		
					1SL9173A00	120																		
					1SL9183A00	25																		
					1SL9185A00	40																		
					1SL9187A00	60	80																	
					1SL9189A00	80																		
					1SL9191A00	100																		
					1SL9193A00	120																		






(B) RAL 9016 white (L) Slate (D) RAL 8014 brown	(E) RAL 7030 grey	(G) RAL 7035 grey	(G) RAL 7030 grey	(G) RAL 7030 grey	(F) RAL 7040 grey	(E) RAL 7030 grey
IMQ	-	-	Vari	Vari	-	-
Residential and commercial	Industrial	Industrial	Industrial	Industrial	Industrial	Industrial
Si	Si	No	No	No	No	No
Yes, external	No	No	No	No	No	No
Page 5/2-5/6	Page 6/10	Page 6/2	Page 6/4	Page 6/4	Page 6/8	Page 6/10

# Introduction

## Brief outline

1

### Cable tray, wire basket and metal trunking

Type				
Steel wire cable trays H 35	Steel wire cable trays H 50	Steel wire cable trays H 75	Steel wire cable trays H 100	Sendzimir trunking H 50
				Length 3 m
				

#### Color, Code, dimensions

Color	Code	Base (mm)	Color	Code	Base (mm)	Color	Code	Base (mm)	Color	Code	Base (mm)	Color	Code	Base (mm)	Height (mm)
(V)	1SL9816A00	75	(V)	1SL9836A00	75	(V)	1SL9860A00	75	-	-	75	<b>IP 20 punched feeders trunking</b>			
(GAC)	1SL9822A00		(GAC)	1SL9844A00		(GAC)	1SL9868A00		-	-		(Z)	06 312	100	50
(V)	1SL9817A00	100	(V)	1SL9837A00	100	(V)	1SL9861A00	100	(V)	1SL9917A00	100	(Z)	06 313	150	
(GAC)	1SL9823A00		(GAC)	1SL9845A00		(GAC)	1SL9869A00		(GAC)	1SL9923A00		(Z)	06 314	200	
(V)	1SL9818A00	150	(V)	1SL9838A00	150	(V)	1SL9862A00	150	(V)	1SL9918A00	150	(Z)	06 315	300	
(GAC)	1SL9824A00		(GAC)	1SL9870A00		(GAC)	1SL9870A00		(GAC)	1SL9924A00		(Z)	06 316	400	
(V)	1SL9819A00	200	(V)	1SL9839A00	200	(V)	1SL9863A00	200	(V)	1SL9919A00	200	(Z)	06 317	500	
(GAC)	1SL9825A00		(GAC)	1SL9847A00		(GAC)	1SL9871A00		(GAC)	1SL9925A00		<b>IP 40 feeders trunking</b>			
(V)	1SL9820A00	300	(V)	1SL9840A00	300	(V)	1SL9864A00	300	(V)	1SL9920A00	300	(Z)	06 332	100	
(GAC)	1SL9826A00		(GAC)	1SL9848A00		(GAC)	1SL9872A00		(GAC)	1SL9926A00		(Z)	06 333	150	
			(V)	1SL9841A00	400	(V)	1SL9865A00	400	(V)	1SL9921A00	400	(Z)	06 334	200	
			(GAC)	1SL9849A00		(GAC)	1SL9873A00		(GAC)	1SL9927A00		(Z)	06 335	300	
			(V)	1SL9842A00	500	(V)	1SL9866A00	500	(V)	1SL9922A00	500	(Z)	06 336	400	
			(GAC)	1SL9850A00		(GAC)	1SL9874A00		(GAC)	1SL9928A00		(Z)	06 337	500	

Color	(V) Painted sendzimir (GAC) Hot dip Galvanized after fabrication	(V) Painted sendzimir (GAC) Hot dip Galvanized after fabrication	(V) Painted sendzimir (GAC) Hot dip Galvanized after fabrication	(Z) Sendzimir
Quality mark	-	-	-	IMQ
Field of application	Industrial/Commercial	Industrial/Commercial	Industrial/Commercial	Industrial
Branch connection accessories	Yes	Yes	Yes	Yes
Accessories for equipment	-	-	-	-
Reference	Page 7/2	Page 7/2	Page 8/2	Page 8/8







# Applications

Value proposition	2/2
Example of application in cellars	2/4
Example of application in fairs/galleries/exhibitions	2/5
Example of application for covered balconies/terraces	2/6
Example of application in corridors/connection spaces	2/7
Example of application for desks/benches/reading rooms	2/8
Example of applications for elements to be installed under shelves or under wall-cupboards	2/9

# Applications

## Value proposition

During the last few years residential, work and public spaces have undergone many transformations which have given them more technological features.

2

The quick evolution of new electronic and IT devices which are available on the market has highlighted the need for flexible electric networks and plants, which can easily be adapted to changes. In this new context, the systems for sight trunking of the electric plant represent the ideal solution for the various installation requirements of the “residential” sector.

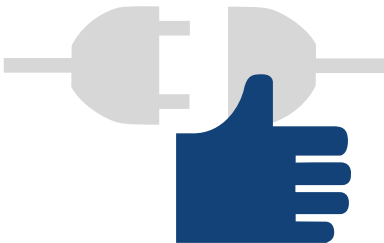
The possibility to offer a complete system that can solve all distribution-related problems is the main strength of ABB plastic trunking systems.

## ABB plastic trunking systems



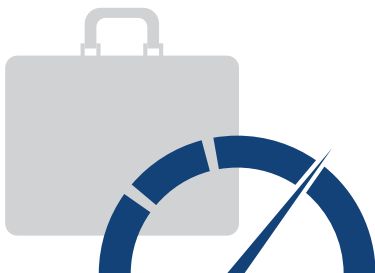
### Low cost

Trunking installation does not require building works and, as a consequence, it costs less than other installation systems for electric plants.



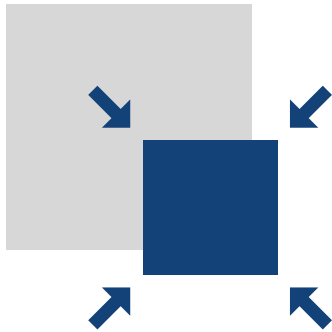
### Flexibility

The availability of many elements, which are perfectly compatible, allows you to perform an almost infinite range of possible enlargements and changes with very few activities.



### Quickness and ease of installing

The possibility for wall installation, also by means of a both sides adhesive tape, makes the installation easier and reduces the installation time.



### **Wiring possibility for electric plants and data transfer networks**

In those areas where there are cables (for energy, telematics, IT, etc.), plastic trunking allows you to install extremely versatile plants that integrate into one single element the distribution of the different networks.

### **Safety**

Due to the fact that it is used for hiding cables, trunking guarantees the adequate safety level for the electric plant.

## **Application possibilities**

ABB plastic trunking systems can have multiple applications. The idea that the electric plant is a purely technical element to be hidden does not apply any more: when some components, such as circuit-breakers, acquire an own aesthetic value, trunking themselves become elements to be inserted harmonically into the environment, as real furniture pieces. One possible use is the creation of a distribution system that uses different elements and that exploits, at a compositional level, the differences and the contrasts offered by the different types of plastic trunking.

Another possibility is represented by the use of plastic trunking as single elements harmonised with some furniture elements.

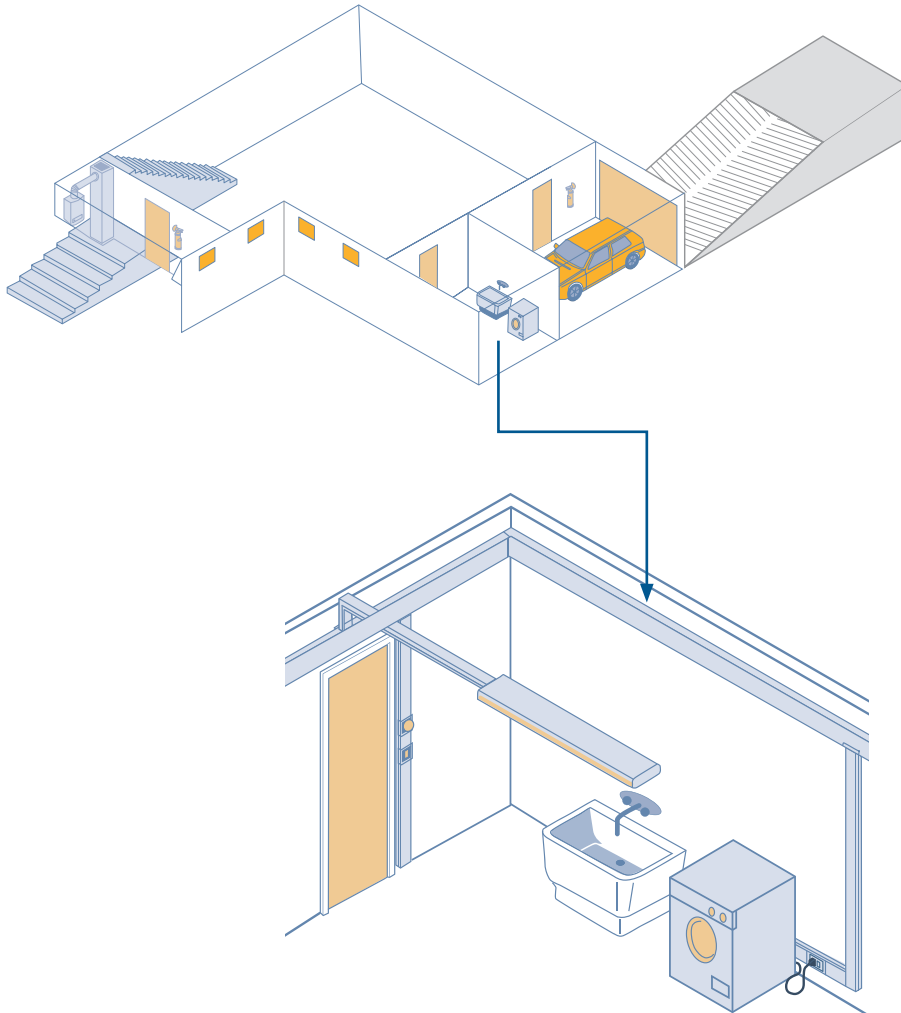
In the following pages there are some practical examples for using ABB trunking systems in different spaces and situations.

# Applications

## Plastic trunking systems with interface elements

### Example of application in cellars

2

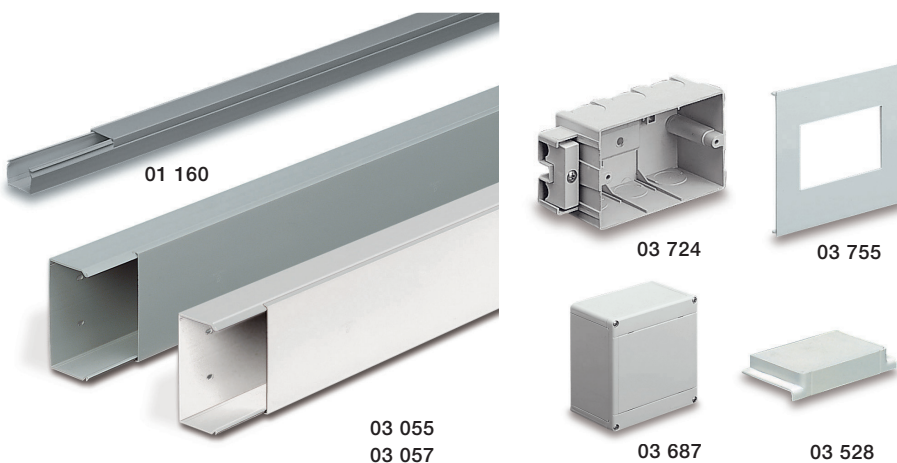


#### The problem

In cellars the electric plant distribution must take into account the different uses of these spaces and the different needs to be fulfilled. Lights, sockets, switches, sensors, emergency lights and any other type of electric devices must be installed so that they can easily be reached.

#### The solution proposed by ABB

ABB plastic trunking represent the ideal solution for this application: easy to install and economical, they offer the possibility to create a flexible and appealing distribution system of the electric plant.



#### ABB components

In the illustrated solution a grey feeder trunking 150x60 (art. 03 057) has been used as a horizontal upright; from this trunking, in vertical direction, originate grey feeder trunking 100x60 (art. 03 055) which are connected to the upright by means of a tee branch (art. 03 528). Switch-socket boxes with interaxis 83.5 mm (art. 03 724) and the relevant finishing plates (art. 03 755) are installed on the trunking. For the lighting point a grey mini-trunking 15x17 (art. 01 160) has been used, originating from a junction box (art. 03 687).

# Applications

## Plastic trunking systems with interface elements

### Example of application in fairs, galleries and exhibitions



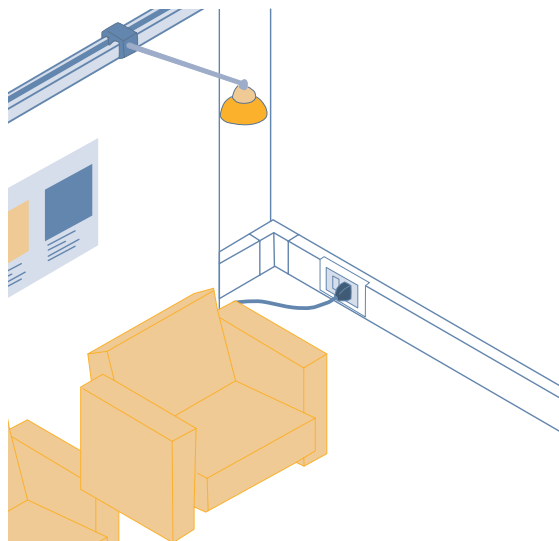
#### The problem

In those spaces where temporary outfitting is required, it is necessary to have adequate electric distribution that allows easy connection activities of mobile elements to the fixed structures.

2

#### The solution proposed by ABB

Using ABB plastic trunking, a very flexible electric distribution system can be created. The wide variety of the available elements allows for different installation solutions.



#### ABB components

In the illustrated solution the base element is a design styled cable trunking measuring 100x68 (art. 44 012); on this trunking are installed switch-socket boxes with interaxis 83.5 mm (art. 44 352; the finishing plate is included). The distribution system can also be equipped with different accessories according to the specific needs: internal corner (art. 44 132), end cap (art. 44 212), etc.



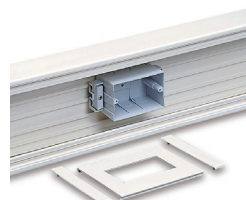
44 012



44 132



44 212

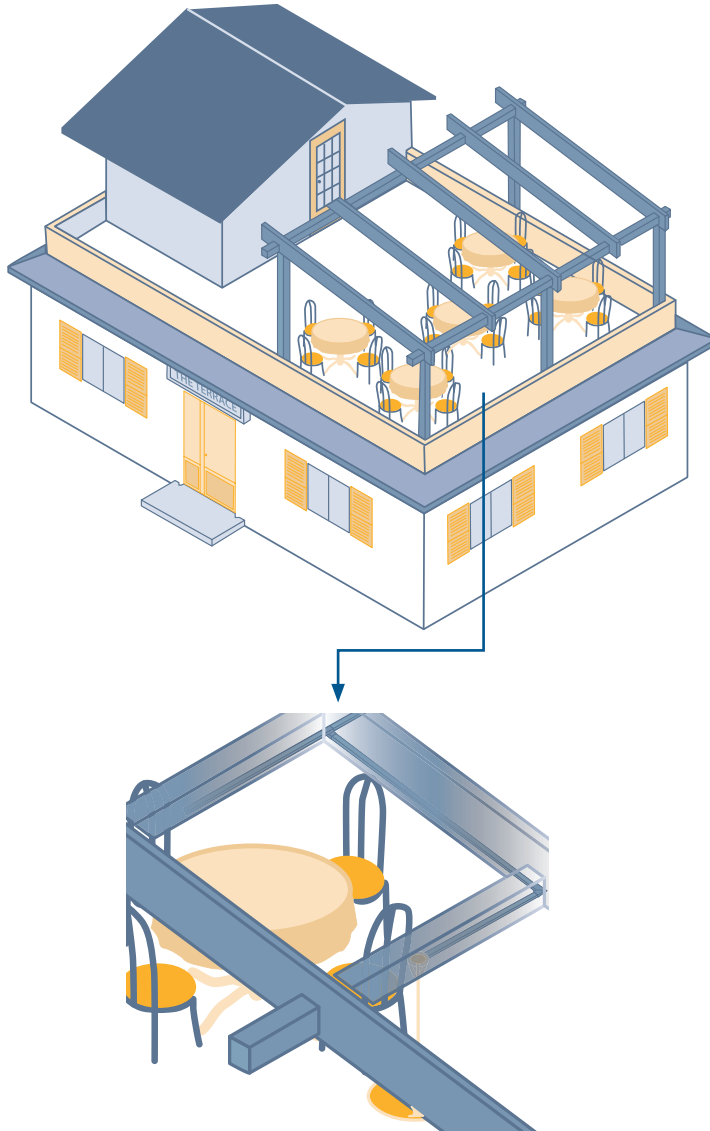


44 352

# Applications

## Plastic trunking systems with interface elements

### Example of application for covered balconies and terraces



#### The problem

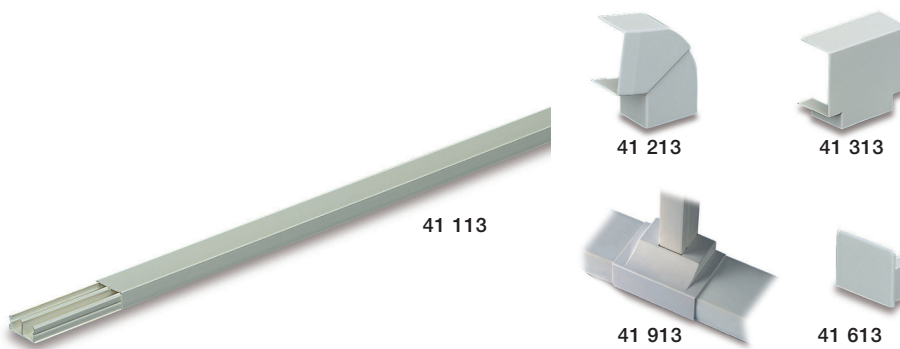
In particular environments such as covered balconies and terraces, very often there is the problem of how to install an electric distribution system that completely fulfils all installation needs and at the same time is perfectly integrated in the context.

#### The solution proposed by ABB

ABB plastic trunking represent a good solution to this problem. As many linear elements are available, it is possible to mask the double insulated cable passage and to create a complete and capillary electric distribution plant.

#### ABB components

Equipped mini-trunking with adhering cover 30x17 (art. 41 113) have been used for the cable passage. Wall elements are connected with ceiling elements by means of the suitable wall/ceiling flat tee branch (art. 41 913). Various accessories can be installed to complete the system: flat tee branch (art. 41 313); end cap (art. 41 613); adjustable flat corner (art. 41 213), etc.

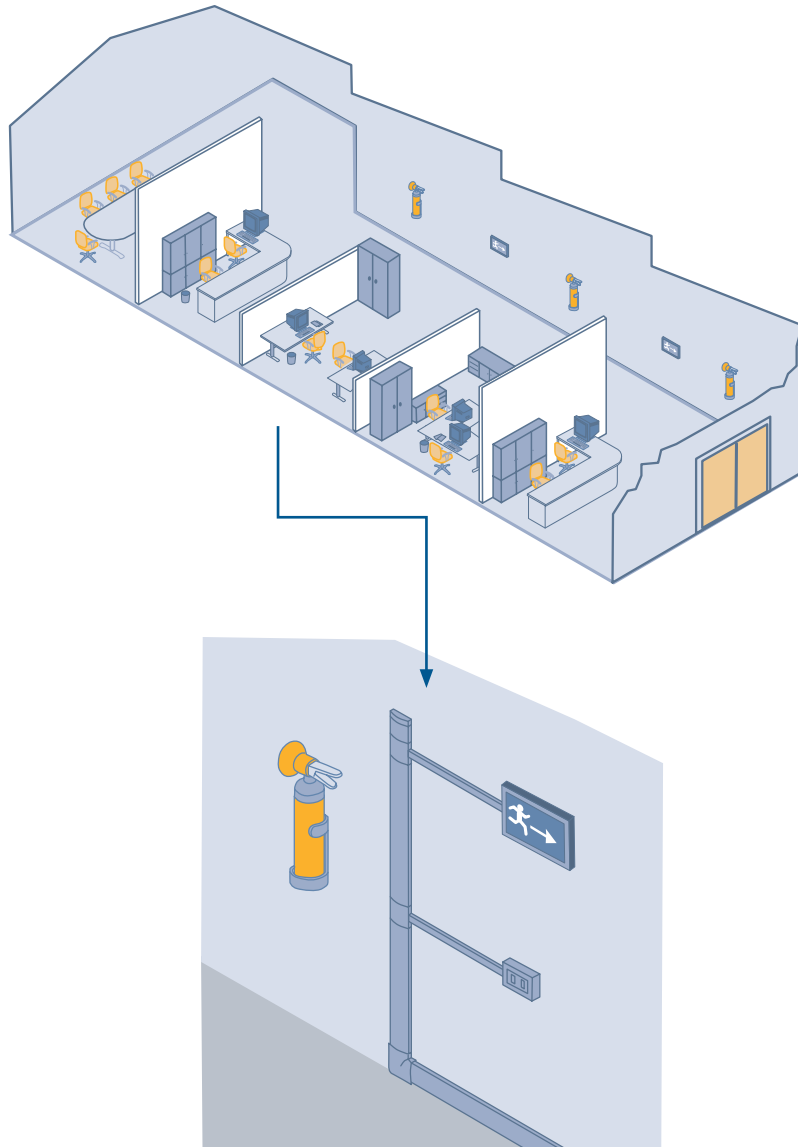




# Application sheets

## Plastic trunking systems with diversified interface elements

### Example of application in corridors and connection spaces



#### The problem

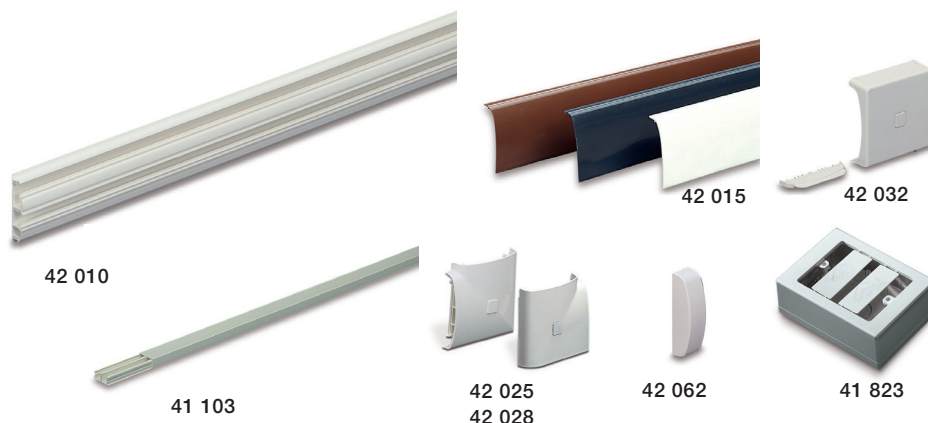
The installation of an electric distribution plant in corridors and connection spaces often presents some difficulties in relation to the possibility of harmonising the various installation requirements of these particular spaces. More specifically, it is necessary to foresee, in addition to a suitable lighting, the installation of safety devices and the presence of structural elements that fulfil the specific needs for providing information linked to the function of these spaces.

#### The solution proposed by ABB

ABB plastic trunking are a simple and functional solution for these specific situations: the different components can be used for connecting plant elements with safety devices, for linking lighting with information needs, etc. Moreover the use of a trunking system guarantees high versatility to the plant: thanks to the wide range of products it is possible to carry out any necessary changes or enlargements in any time and without difficulties.

#### ABB components

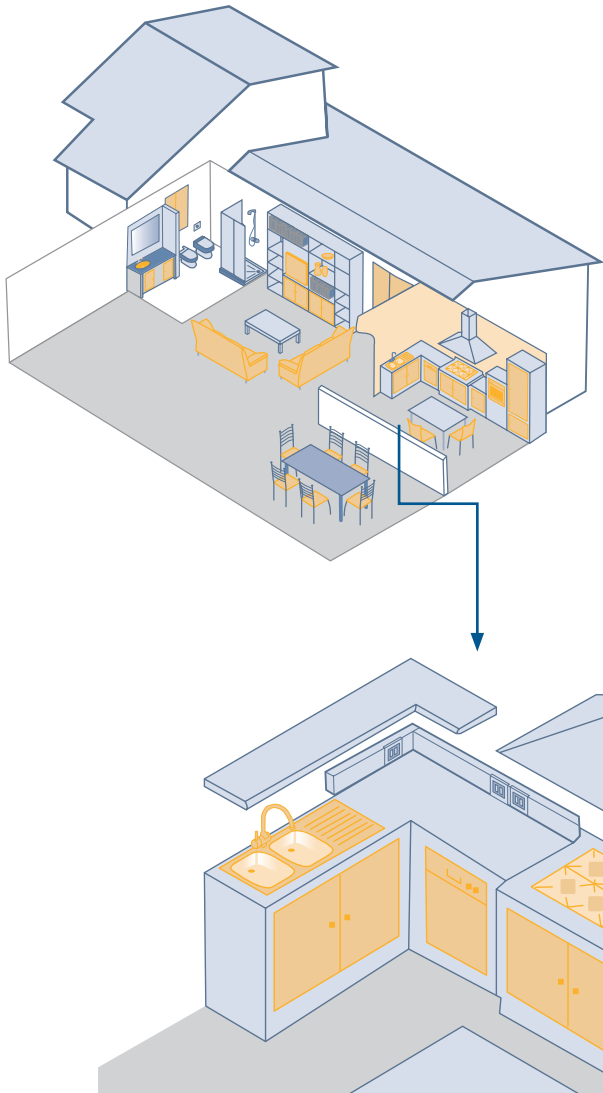
In the illustrated solution a skirting trunking resting on the floor (art. 42 010) has been used, with its relevant cover (art. 42 015), another skirting trunking (art. 42 010) with cover (art. 42 015) is connected to the first one by means of the suitable 90° flat corner (art. 42 025 or 42 028). From the vertical element originates a mini-trunking 30x10 (art. 41 103) that ends with a switch-socket box (art. 41 823). The box for flat branch connections (art. 42 032) is used for the connection between minitrunking and dado trunking.



# Applications

## Integrated plastic trunking systems

Example of application for elements to be installed under shelves or under wall-cupboards

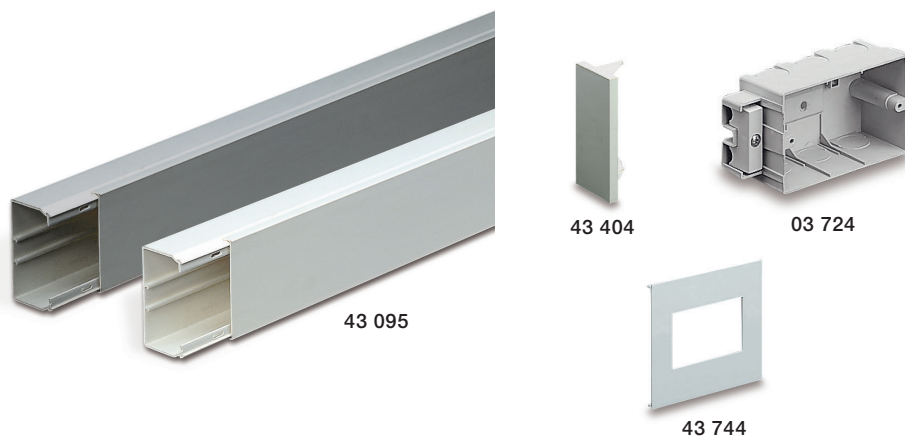


### The problem

The increasingly widespread use of household appliances and electric appliances in studies, bedrooms and kitchens implies the necessity to have an electric distribution plant that is perfectly harmonised with the environment and that can fulfil the various requirements of these spaces (not only the electric distribution, but also lighting and the possibility to be integrated with other accessories).

### The solution proposed by ABB

ABB plastic trunking solve this problem in a functional way: they can be installed under shelves or under wallcupboards and guarantee the necessary flexibility and user friendliness.



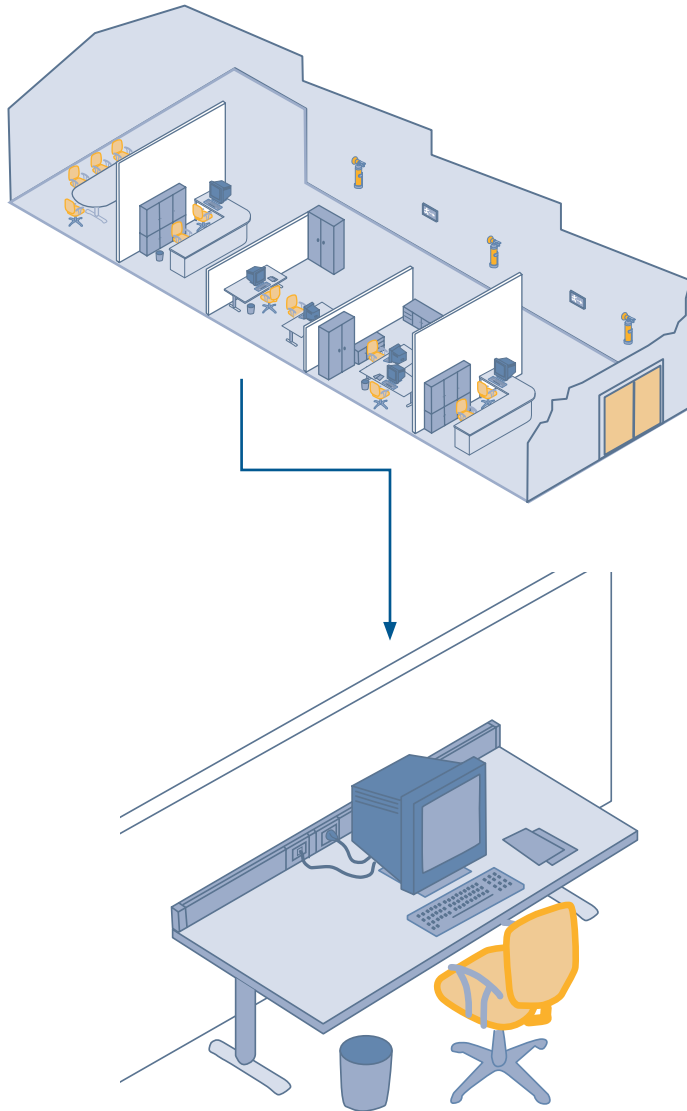
### ABB components

The drawing shows a wall-mounted cable trunking 100x60 (art. 43 095) with end caps (art. 43 404). Switch-socket boxes (art. 03 724) and finishing plates for three devices (art. 43 744) are installed on it.

# Applications

## Plastic trunking systems in workspace applications

Example of application for desks, benches and reading rooms



### The problem

The fitting of work stations in an office as well as in school laboratories or in reading rooms of libraries or museums requires that the project foresees a great number of functional enlargements; in particular it is necessary to provide for the integration of additional electronic devices (ex. new peripheral units/ laptops) without having to change the fittings on the occasion of each change in the organisation of the services that can be accessed from the same work stations.

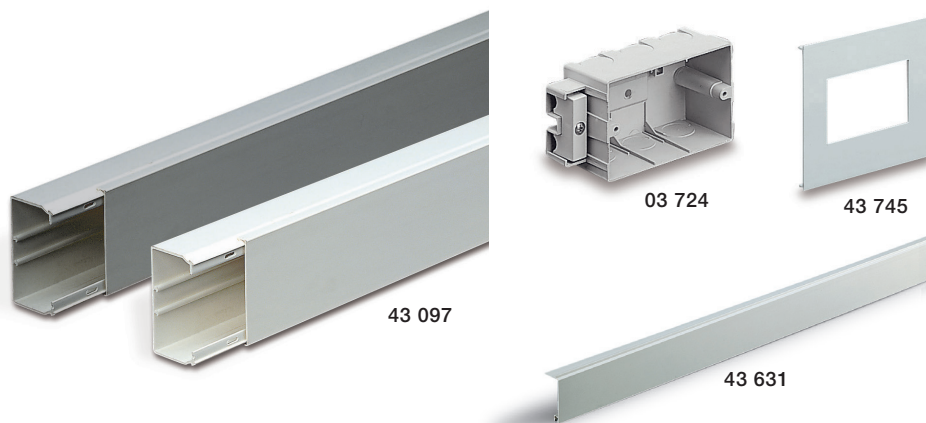
### The solution proposed by ABB

If the desk is equipped with a trunking system, it is possible, when needed, to increase the number and type of connections (electric circuits, telephone devices, data transmission, etc.) just by adding switch-socket boxes, connection boxes and other elements that increase the usage possibilities and, at the same time, respect the choices made during the planning phase.

### ABB components

In the illustrated solution a cable trunking 150x60 (art. 43 097) with separator (art. 43 631) has been installed on the wall touching the desk for dividing current and data circuits.

Then two switch-socket boxes (art. 03 724) with finishing plate (art. 43 745) have been installed, for a total of six installed devices.





# Mini-trunking

Self-adhesive mini-trunking	3/2
Equipped mini-trunking	3/4
Accessories for equipped mini-trunking	3/8

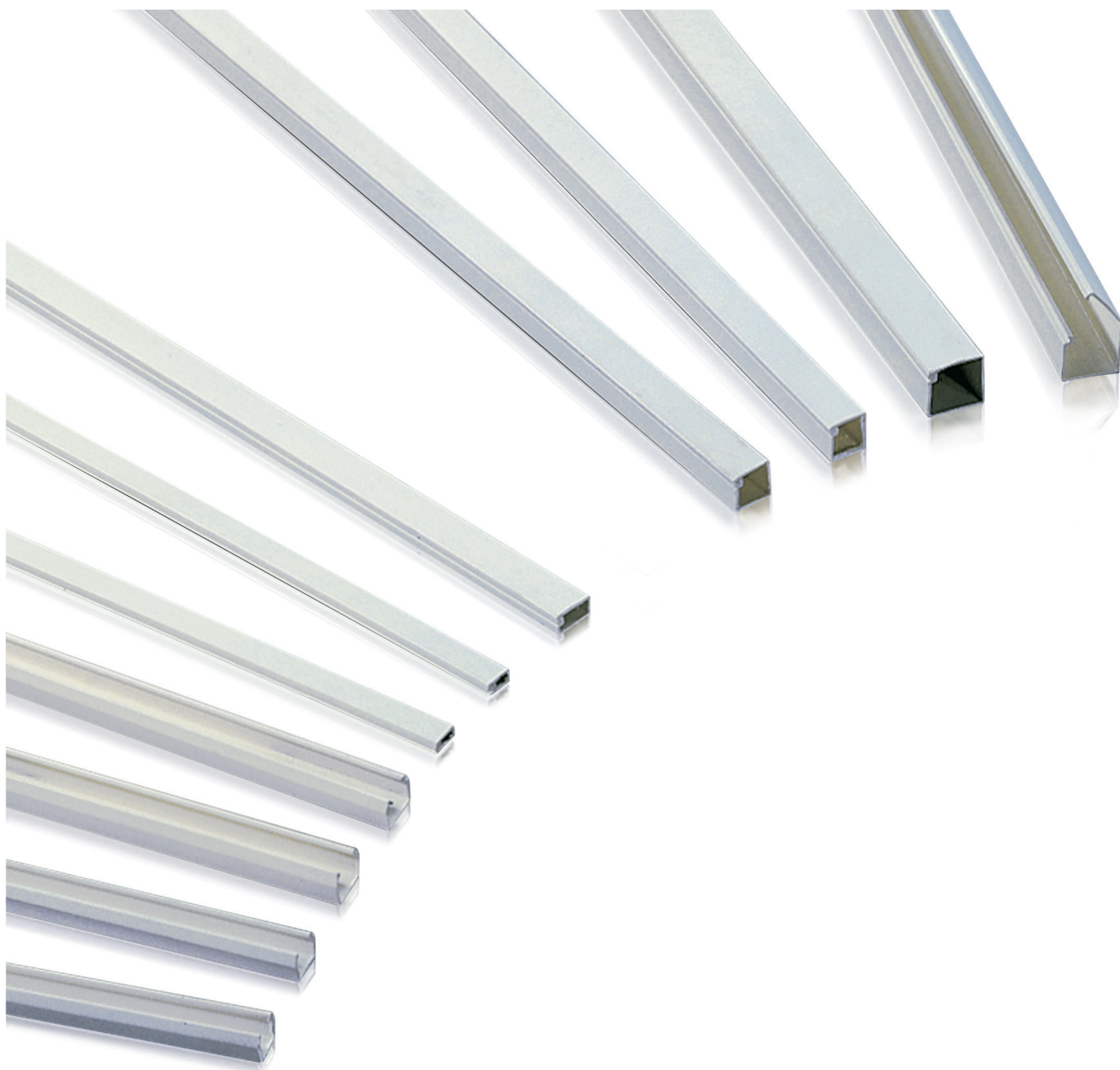
# Mini-trunking

## Self-adhesive mini-trunking

### Technical details

- available in two versions:
  - without cover, suitable for snap-on application of single cables (aerial, telephone and electric circuits)
  - with a hinged cover that makes it easier to position the cables during installation
- **Color RAL 9016 white**
- plastic, insulating, shock-proof, self-extinguishing material in compliance with UL 94 V0 Standard and resistant to abnormal heat and fire up to 960°C, 1760°F (glow wire test) in compliance with IEC 695-2-1 Standard1
- dimensional stability from -20 to +60°C, -4 to 140°F
- resistant to acids, oils, and greases
- standard 2-metre long straight sections
- easy-to-position self-adhesive base
- acrylic-base adhesive, resistant to the light and to ageing
- residential application

3



15LCH0005F0001



1SLC8003BF0001

Article	Dimensions WxH (mm)	For cables Ø (mm)	Weight kg/m	Unit/pack - m
<b>Mini-trunking without cover</b>				
41 010	7,5x7	4-5,5	0,03	176
41 015	10x9	6-8	0,04	140
41 020	12x11	8-10	0,04	104



1SLC8003F0001

Article	Dimensions WxH (mm)	For cables Ø (mm)	Weight kg/m	Unit/pack - m
<b>Mini-trunking with hinged cover</b>				
41 040	9x4,5		0,03	224
41 045	12,5x7		0,04	100
41 050	12,5x12,5		0,08	60
41 055	17x17		0,09	32



1SLC8003BF0001

Article	Description	Unit/pack - pcs
<b>Bi-adhesive tape</b>		
This is fixed onto the base of the mini-trunking or wiring ducts to make installation easier (50-metre roll).		
05 930	50-metre roll, H 6 mm	10
05 932	50-metre roll, H 9 mm	10



1SLC8003BF0001

Article	Description	Unit/pack - pcs
<b>Duct shears</b>		
05 920	45° or 90° duct – max wiring duct 40x17 mm	1



1SLC8003BF0001

Article	Description	Unit/pack - pcs
<b>Glue</b>		
05 940	Tube of glue for gun	1/16

# Mini-trunking

## Equipped mini-trunking

### Specifications

- colors:
  - **RAL 9016 white**
  - RAL 7035 grey
  - RAL 8014 brown
- straight elements made of plastic, insulating, shock-proof, self-extinguishing material in compliance with UL 94 V0 Standard and resistant to abnormal heat and fire up to 960°C (glow wire test) in compliance with IEC 60695-2-11 Standard
- resistant to acids, oils, and greases
- wall and ceiling mounting, fastening with dowels
- suitable as feeder and cable trunking (external)
- 2 types of covers: standard and adhering
- **mounted cover** (except in H 30)
- accessories common to both types of covers
- standard 2-metre straight lengths complete with cover
- ready-made holes on the base for fastening to the wall
- residential application

- resistance to impacts: 5 joules
- minimum storage and transport temperature: - 15 °C
- minimum installation and usage temperature: -15 °C
- maximum usage temperature: 60 °C
- flame-retarding trunking system
- trunking system without electrical continuity
- trunking system with electrical insulating properties
- degree of protection of the case in compliance with EN 60529: IP40 Standard
- cover can be opened without having to use a special tool
- trunking system can be mounted protruding from the wall or the ceiling
- installation system
- nominal voltage 500V

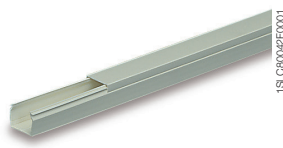


IMQ mark in compliance with  
EN 50085-1 + EN 50085-2-1 Standard



15LC80041F0001





1SLC8004FP001

Article	Dimensions WxH (mm)	Compartments	Color	Unit/pack - m
<b>Mini-trunking with standard cover</b>				
41 080	20x10 [IMQ]	1	White	96
41 081	20x10 [IMQ]	2	White	96
41 083	30x10 [IMQ]	1	White	64
41 084	30x10 [IMQ]	2	White	64
41 110	15x17 [IMQ]	1	White	92
41 091	30x17 [IMQ]	1	White	72
41 092	40x17 [IMQ]	2	White	48
41 093	60x17 [IMQ]	3	White	36
41 117	25x30 [IMQ]	1	White	60
41 119	40x30 [IMQ]	1	White	40
01 160	15x17 [IMQ]	1	Grey	92
01 180	15x17 [IMQ]	1	Brown	92



1SLC8004FP001

Article	Dimensions WxH (mm)	Compartments	Color	Unit/pack - m
<b>Mini-trunking with adhering cover*</b>				
41 101	20x10 [IMQ]	1	White	96
41 102	20x10 [IMQ]	2	White	96
41 103	30x10 [IMQ]	1	White	64
41 104	30x10 [IMQ]	2	White	64
41 106	40x10 [IMQ]	2	White	48
41 111	15x17 [IMQ]	1	White	92
41 113	30x17 [IMQ]	1	White	72
41 114	30x17 [IMQ]	2	White	72
41 115	40x17 [IMQ]	2	White	48
41 116	60x17 [IMQ]	3	White	36
41 120	60x30 [IMQ]	3	White	34
01 151	20x10 [IMQ]	1	Grey	96
01 163	30x17 [IMQ]	1	Grey	72
01 171	20x10 [IMQ]	1	Brown	96
01 183	30x17 [IMQ]	1	Brown	72

\* Special tool required for removing covers



1SLC8004FP001

Article	Trunking dimensions WxH (mm)	Color	Unit/pack - pcs
<b>Adjustable flat corner</b>			
41 202	20x10 [IMQ]	White	40
41 204	30x10 [IMQ]	White	40
41 206	40x10 [IMQ]	White	40
41 210	15x17 [IMQ]	White	40
41 213	30x17 [IMQ]	White	40
41 215	40x17 [IMQ]	White	40
41 216	60x17 [IMQ]	White	20
41 217	25x30 [IMQ]	White	40
41 219	40x30 [IMQ]	White	20
41 220	60x30 [IMQ]	White	10
01 252	20x10 [IMQ]	Grey	40
01 260	15x17 [IMQ]	Grey	40
01 263	30x17 [IMQ]	Grey	40
01 272	20x10 [IMQ]	Brown	40
01 280	15x17 [IMQ]	Brown	40
01 283	30x17 [IMQ]	Brown	40

# Mini-trunking

## Equipped mini-trunking

3



1SLC80045F0001

Article	Trunking dimensions WxH (mm)	Color	Unit/pack - pcs
<b>Flat tee branch</b>			
41 302	20x10 [IMQ]	White	40
41 304	30x10 [IMQ]	White	40
41 306	40x10 [IMQ]	White	40
41 310	15x17 [IMQ]	White	40
41 313	30x17 [IMQ]	White	40
41 315	40x17 [IMQ]	White	40
41 316	60x17 [IMQ]	White	40
41 317	25x30 [IMQ]	White	40
41 319	40x30 [IMQ]	White	40
41 320	60x30 [IMQ]	White	20
01 352	20x10 [IMQ]	Grey	40
01 360	15x17 [IMQ]	Grey	40
01 363	30x17 [IMQ]	Grey	40
01 372	20x10 [IMQ]	Brown	40
01 380	15x17 [IMQ]	Brown	40
01 383	30x17 [IMQ]	Brown	40



1SLC80046F0001

Article	Trunking dimensions WxH (mm)	Color	Unit/pack - pcs
<b>Adjustable internal corner</b>			
41 402	20x10 [IMQ]	White	40
41 404	30x10 [IMQ]	White	40
41 406	40x10 [IMQ]	White	40
41 410	15x17 [IMQ]	White	40
41 413	30x17 [IMQ]	White	40
41 415	40x17 [IMQ]	White	40
41 416	60x17 [IMQ]	White	40
41 417	25x30 [IMQ]	White	40
41 419	40x30 [IMQ]	White	20
41 420	60x30 [IMQ]	White	20
01 452	20x10 [IMQ]	Grey	40
01 460	15x17 [IMQ]	Grey	40
01 463	30x17 [IMQ]	Grey	40
01 472	20x10 [IMQ]	Brown	40
01 480	15x17 [IMQ]	Brown	40
01 483	30x17 [IMQ]	Brown	40



1SLC80047F0001

Article	Trunking dimensions WxH (mm)	Color	Unit/pack - pcs
<b>Adjustable external corner</b>			
41 502	20x10 [IMQ]	White	40
41 504	30x10 [IMQ]	White	40
41 506	40x10 [IMQ]	White	40
41 510	15x17 [IMQ]	White	40
41 513	30x17 [IMQ]	White	40
41 515	40x17 [IMQ]	White	40
41 516	60x17 [IMQ]	White	40
41 517	25x30 [IMQ]	White	40
41 519	40x30 [IMQ]	White	20
41 520	60x30 [IMQ]	White	20
01 552	20x10 [IMQ]	Grey	40
01 560	15x17 [IMQ]	Grey	40
01 563	30x17 [IMQ]	Grey	40
01 572	20x10 [IMQ]	Brown	40
01 580	15x17 [IMQ]	Brown	40
01 583	30x17 [IMQ]	Brown	40

Overall dimensions ..... pages 10/2 - 10/6



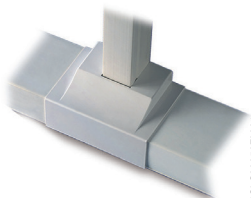
1SLC8049F0001

Article	Trunking dimensions WxH (mm)	Color	Unit/pack - pcs
<b>End cap</b>			
41 602	20x10 [IMQ]	White	40
41 604	30x10 [IMQ]	White	40
41 606	40x10 [IMQ]	White	40
41 610	15x17 [IMQ]	White	40
41 613	30x17 [IMQ]	White	40
41 615	40x17 [IMQ]	White	40
41 616	60x17 [IMQ]	White	40
41 617	25x30 [IMQ]	White	40
41 619	40x30 [IMQ]	White	40
41 620	60x30 [IMQ]	White	40
01 652	20x10 [IMQ]	Grey	40
01 660	15x17 [IMQ]	Grey	40
01 663	30x17 [IMQ]	Grey	40
01 672	20x10 [IMQ]	Brown	40
01 680	15x17 [IMQ]	Brown	40
01 683	30x17 [IMQ]	Brown	40



1SLC8049F0001

Article	Trunking dimensions WxH (mm)	Color	Unit/pack - pcs
<b>Flat joint</b>			
41 702	20x10 [IMQ]	White	40
41 704	30x10 [IMQ]	White	40
41 706	40x10 [IMQ]	White	40
41 710	15x17 [IMQ]	White	40
41 713	30x17 [IMQ]	White	40
41 715	40x17 [IMQ]	White	40
41 716	60x17 [IMQ]	White	40
41 717	25x30 [IMQ]	White	40
41 719	40x30 [IMQ]	White	40
41 720	60x30 [IMQ]	White	40
01 752	20x10 [IMQ]	Grey	40
01 760	15x17 [IMQ]	Grey	40
01 763	30x17 [IMQ]	Grey	40
01 772	20x10 [IMQ]	Brown	40
01 780	15x17 [IMQ]	Brown	40
01 783	30x17 [IMQ]	Brown	40



1SLC8049F0001

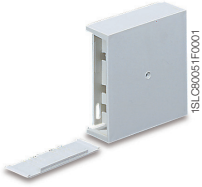
Article	Trunking dimensions WxH (mm)	Color	Unit/pack - pcs
<b>Wall/ceiling tee branch connection</b>			
41 902	20x10 [IMQ]	White	20
41 904	30x10 [IMQ]	White	10
41 906	40x10 [IMQ]	White	10
41 910	15x17 [IMQ]	White	20
41 913	30x17 [IMQ]	White	10
41 915	40x17 [IMQ]	White	10
41 916	60x17 [IMQ]	White	10
41 917	25x30 [IMQ]	White	10
41 919	40x30 [IMQ]	White	10
41 920	60x30 [IMQ]	White	10
01 930	20x10 [IMQ]	Grey	20
01 932	15x17 [IMQ]	Grey	20
01 934	30x17 [IMQ]	Grey	10
01 940	20x10 [IMQ]	Brown	20
01 942	15x17 [IMQ]	Brown	20
01 944	30x17 [IMQ]	Brown	10

Overall dimensions ..... pages 10/2 - 10/6

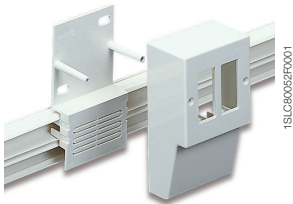
# Mini-trunking

## Accessories for equipped mini-trunking

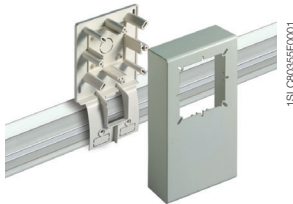
3



Article	Trunking height (mm)	Color	Unit/pack - pcs
<b>Box for flat branch connections</b> Complete with circuit separator			
41 800	10 – 17 [IMQ]	White	1/60
41 803	10 – 17 – 30 [IMQ]	White	1/40
01 802	10 – 17 [IMQ]	Grey	1/60
01 804	10 – 17 – 30 [IMQ]	Grey	1/40
01 801	10 – 17 [IMQ]	Brown	1/60
01 805	10 – 17 – 30 [IMQ]	Brown	1/40

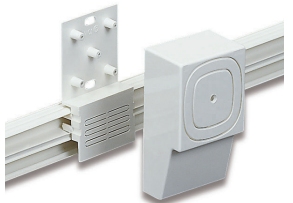


Article	Description	Color	Unit/pack - pcs
<b>Italian standard switch-socket floor box</b> For 2 Vimar 8000 series or Bticino Magic devices with supplied adapter. Side trimmings for H 10 and H 17 mini-trunking (except for 60x17).			
41 806	2 devices [IMQ]	White	1/60
01 808	2 devices [IMQ]	Grey	1/60
01 810	2 devices [IMQ]	Brown	1/60
41 818	Inter. 60 mm [IMQ]	White	1/20
01 820	Inter. 60 mm [IMQ]	Grey	1/20
01 821	Inter. 60 mm [IMQ]	Brown	1/20

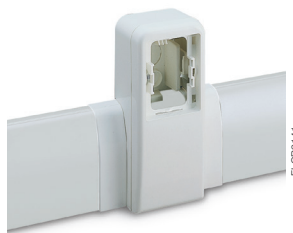


Article	Description	Color	Unit/pack - pcs
<b>Italian standard telephone socket box</b> For fitting a unified telephone socket. Side trimmings for H 10 and H 17 mini-trunking (except for 60x17).			
41 812	Telephone socket [IMQ]	White	1/60
01 814	Telephone socket [IMQ]	Grey	1/60
01 816	Telephone socket [IMQ]	Brown	1/60

Switch-socket floor boxes and telephone socket boxes must be installed at a minimum height of 175 mm from the axis at which the socket is inserted at floor level, in compliance with CEI 64-8 Standard



Article	Device	Modules	Mounting	Color	Unit/pack - pcs
<b>French standard switch-socket box</b> For 1/2 Galion and Mosaic type devices. Side trimmings for H 10, H 17 and H 30 mini-trunking.					
41 840	Galion	1	Horizontal	White	1/60
41 842	Galion	1	Vertical	White	1/60
41 844	Galion	2	Horizontal	White	1/60
41 846	Mosaic	2	Horizontal/Vertical	White	1/60



Article	Device	Modules	Mounting	Color	Unit/pack - pcs
<b>Spanish standard switch-socket box</b> For 2 and 4 Stylo type devices. Side trimmings for H 10, H 17 and H 30 mini-trunking.					
41 850	Stylo	2	Horizontal/Vertical	White	1/16
41 854	Stylo	4	Horizontal	White	1/60

Overall dimensions ..... pages 10/2 - 10/6



Article	Description	Color	Unit/pack - pcs
<b>Frame for flush-mounting box</b>			
For branch connection with H 10 mm mini-trunking. Attached onto flush-mounting switch-socket box using 2 screws (supplied).			
41 829	Inter-axis 83,5 mm	White	1/10



Article	Description	Color	Unit/pack - pcs
<b>Switch-socket box</b>			
Side trimmings for H 10, 17 and 30 mini-trunking.			
For fitting a telephone socket on box with 83.5 interaxis use cover supplied separately (art. 42112).			
<b>Box for 2 devices (or fasteners)</b>			
42 096	Inter. 60/67 mm [IMQ]	White	1/30
02 099	Inter. 60/67 mm [IMQ]	Grey	1/30
02 098	Inter. 60/67 mm [IMQ]	Brown	1/30
<b>Box for 3 devices depth 43 mm</b>			
41 823	Inter. 83,5 mm [IMQ]	White	1/28
01 826	Inter. 83,5 mm [IMQ]	Grey	1/28
01 828	Inter. 83,5 mm [IMQ]	Brown	1/28
<b>Box for 3 devices depth 53 mm</b>			
41 822	Inter. 83,5 mm [IMQ]	White	1/24
01 825	Inter. 83,5 mm [IMQ]	Grey	1/24
01 827	Inter. 83,5 mm [IMQ]	Brown	1/24
<b>Box for 4 devices</b>			
41 830	Inter. 108 mm [IMQ]	White	1/20
01 831	Inter. 108 mm [IMQ]	Grey	1/20
01 832	Inter. 108 mm [IMQ]	Brown	1/20



Article	Description	Color	Unit/pack - pcs
<b>Cover- interaxis 83.5 mm</b>			
Attached onto switch-socket box with 2 screws.			
42 112	Telephone socket [IMQ]	White	20
00 059	Plain cover [IMQ]	White	20



Article	Description	Color	Unit/pack - pcs
<b>Coupler for mini-trunking</b>			
In self-extinguishing thermoplastic.			
Used with watertight equipment and boxes (see catalogue 1SLC001001D0902).			
Degree of protection IP40.			
45 965	With Ø 20 mm - 15x17 mm [IMQ]	White	20
45 966	With Ø 25 mm - 15x17-25x30 mm [IMQ]	White	20
45 967	With Ø 32 mm - 15x17-25x30-40x30 mm [IMQ]	White	20
45 968	With Ø 20 mm - 20x10-30x10 mm [IMQ]	White	20
45 969	With Ø 25 mm - 30x10-40x10 mm [IMQ]	White	20
05 960	With Ø 20 mm - 15x17 mm [IMQ]	Grey	20
05 963	With Ø 20 mm - 20x10-30x10 mm [IMQ]	Grey	20



# Feeder and cable trunking

Feeder and cable trunking	4/2
Accessories for feeder and cable trunking	4/9
Design styled cable trunking	4/16
Accessories for design styled cable trunking	4/19

# Feeder and cable trunking

## Specifications

- available in two versions:
  - feeder trunking
  - cable trunking
- colors:
  - **RAL 9016 white**
  - RAL 7030 grey
- straight elements made of plastic, insulating, shock-proof, self-extinguishing material in compliance with UL 94 V0 Standard and resistant to abnormal heat and fire up to 960°C (glow wire test) in compliance with IEC 60695-2-11 Standard
- resistant to acids, oils and greases
- standard 2-metre straight lengths complete with cover
- wall and ceiling mounting, fastening with dowels
- ready-made holes on the base for fastening to the wall
- residential and commercial applications

- resistance to impacts: 5 joules
- minimum storage and transport temperature: -15 °C
- minimum installation and usage temperature: -15 °C
- maximum usage temperature: 60 °C
- flame-retarding trunking system
- trunking system without electrical continuity
- trunking system with electrical insulating properties
- degree of protection of the case in compliance with EN 60529: IP40 Standard
- cover can be opened without having to use a special tool
- trunking system can be mounted protruding from the wall or the ceiling
- installation system
- nominal voltage 500V

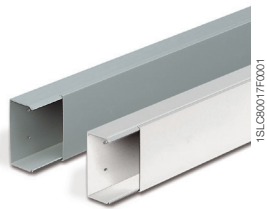


IMQ mark in compliance with  
EN 50085-1 + EN 50085-2-1 Standard



1SLC20055F001





1SLC8007/F0001

Article	Dimensions W (mm)	Color	Pack-metres
<b>Feeder trunking IP40</b>			
<b>H 40</b>			
43 002	40 [IMQ]	White	60
43 003	60 [IMQ]	White	40
43 004	80 [IMQ]	White	32
43 005	100 [IMQ]	White	24
43 006	120 [IMQ]	White	20
03 042	40 [IMQ]	Grey	60
03 043	60 [IMQ]	Grey	40
03 044	80 [IMQ]	Grey	32
03 045	100 [IMQ]	Grey	24
03 046	120 [IMQ]	Grey	20
<b>H 60</b>			
43 013	60 [IMQ]	White	32
43 014	80 [IMQ]	White	24
43 015	100 [IMQ]	White	18
43 016	120 [IMQ]	White	14
43 017	150 [IMQ]	White	12
43 018	200 [IMQ]	White	8
03 053	60 [IMQ]	Grey	32
03 054	80 [IMQ]	Grey	24
03 055	100 [IMQ]	Grey	18
03 056	120 [IMQ]	Grey	14
03 057	150 [IMQ]	Grey	12
03 058	200 [IMQ]	Grey	8
<b>H 80</b>			
43 025	100 [IMQ]	White	16
43 026	120 [IMQ]	White	12
43 027	150 [IMQ]	White	8
43 028	200 [IMQ]	White	8
03 065	100 [IMQ]	Grey	16
03 066	120 [IMQ]	Grey	12
03 067	150 [IMQ]	Grey	8
03 068	200 [IMQ]	Grey	8

# Feeder and cable trunking



4

Article	Dimensions W (mm)	N° of installable separators	Color	Pack-metres
<b>Cable trunking IP40</b>				
<b>H 40</b>				
43 085*	100 [IMQ]	2	White	24
43 086*	120 [IMQ]	4	White	20
03 115*	100 [IMQ]	2	Grey	24
03 116*	120[IMQ]	4	Grey	20
<b>H 60</b>				
43 095*	100 [IMQ]	2	White	18
43 096*	120 [IMQ]	4	White	14
43 097*	150 [IMQ]	4	White	12
43 098*	200 [IMQ]	6	White	8
03 125*	100 [IMQ]	2	Grey	18
03 126*	120 [IMQ]	4	Grey	14
03 127*	150 [IMQ]	4	Grey	12
03 128*	200 [IMQ]	6	Grey	8
<b>H 80</b>				
43 105*	150 [IMQ]	4	White	8
43 106*	200 [IMQ]	6	White	8
03 137*	150 [IMQ]	4	Grey	8
03 138*	200 [IMQ]	6	Grey	8

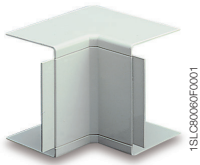
\* Each 2-metre bar comes complete with 3 cable retainers

Overall dimensions ..... pages 10/7 - 10/11



Article	Trunking dimensions WxH (mm)	Color	Unit/pack-pieces
<b>Flat 90° corner, IP40</b>			
43 152	40x40 [IMQ]	White	10/120
43 153	60x40 [IMQ]	White	10/60
43 154	80x40 [IMQ]	White	10/30
43 155	100x40 [IMQ]	White	1/40
43 156	120x40 [IMQ]	White	1/30
43 163	60x60 [IMQ]	White	10/40
43 164	80x60 [IMQ]	White	10/20
43 165	100x60 [IMQ]	White	1/20
43 166	120x60 [IMQ]	White	1/20
43 167	150x60 [IMQ]	White	1/12
43 168	200x60 [IMQ]	White	1/8
43 175	100x80 [IMQ]	White	10/20
43 176	120x80 [IMQ]	White	1/10
43 177	150x80 [IMQ]	White	1/9
43 178	200x80 [IMQ]	White	1/6
03 192	40x40 [IMQ]	Grey	10/120
03 193	60x40 [IMQ]	Grey	10/60
03 194	80x40 [IMQ]	Grey	10/30
03 195	100x40 [IMQ]	Grey	1/40
03 196	120x40 [IMQ]	Grey	1/30
03 203	60x60 [IMQ]	Grey	10/40
03 204	80x60 [IMQ]	Grey	10/20
03 205	100x60 [IMQ]	Grey	1/20
03 206	120x60 [IMQ]	Grey	1/20
03 207	150x60 [IMQ]	Grey	1/12
03 208	200x60 [IMQ]	Grey	1/8
03 215	100x80 [IMQ]	Grey	10/20
03 216	120x80 [IMQ]	Grey	1/10
03 217	150x80 [IMQ]	Grey	1/9
03 218	200x80 [IMQ]	Grey	1/6

# Feeder and cable trunking



4

Article	Trunking dimensions WxH (mm)	Color	Unit/pack-pieces
<b>Internal corner IP40</b>			
43 232	40x40 [IMQ]	White	10/60
43 233	60x40 [IMQ]	White	10/60
43 234	80x40 [IMQ]	White	10/60
43 235	100x40 [IMQ]	White	10/30
43 236	120x40 [IMQ]	White	10/30
43 243	60x60 [IMQ]	White	10/40
43 244	80x60 [IMQ]	White	10/30
43 245	100x60 [IMQ]	White	10/30
43 246	120x60 [IMQ]	White	10/20
43 247	150x60 [IMQ]	White	1/8
43 248	200x60 [IMQ]	White	1/6
43 255	100x80 [IMQ]	White	10/20
43 256	120x80 [IMQ]	White	10/20
43 257	150x80 [IMQ]	White	1/6
43 258	200x80 [IMQ]	White	1/4
03 272	40x40 [IMQ]	Grey	10/60
03 273	60x40 [IMQ]	Grey	10/60
03 274	80x40 [IMQ]	Grey	10/60
03 275	100x40 [IMQ]	Grey	10/30
03 276	120x40 [IMQ]	Grey	10/30
03 283	60x60 [IMQ]	Grey	10/40
03 284	80x60 [IMQ]	Grey	10/30
03 285	100x60 [IMQ]	Grey	10/30
03 286	120x60 [IMQ]	Grey	10/20
03 287	150x60 [IMQ]	Grey	1/8
03 288	200x60 [IMQ]	Grey	1/6
03 295	100x80 [IMQ]	Grey	10/20
03 296	120x80 [IMQ]	Grey	10/20
03 297	150x80 [IMQ]	Grey	1/6
03 298	200x80 [IMQ]	Grey	1/4

Overall dimensions ..... pages 10/7 - 10/11



Article	Trunking dimensions WxH (mm)	Color	Unit/pack-pieces
<b>External corner IP40</b>			
43 312	40x40 [IMQ]	White	10/60
43 313	60x40 [IMQ]	White	10/40
43 314	80x40 [IMQ]	White	10/30
43 315	100x40 [IMQ]	White	8/16
43 316	120x40 [IMQ]	White	8/16
43 323	60x60 [IMQ]	White	10/40
43 324	80x60 [IMQ]	White	10/30
43 325	100x60 [IMQ]	White	8/16
43 326	120x60 [IMQ]	White	8/16
43 327	150x60 [IMQ]	White	1/6
43 328	200x60 [IMQ]	White	1/6
43 335	100x80 [IMQ]	White	8/16
43 336	120x80 [IMQ]	White	8/16
43 337	150x80 [IMQ]	White	1/6
43 338	200x80 [IMQ]	White	1/4
03 352	40x40 [IMQ]	Grey	10/60
03 353	60x40 [IMQ]	Grey	10/40
03 354	80x40 [IMQ]	Grey	10/30
03 355	100x40 [IMQ]	Grey	8/16
03 356	120x40 [IMQ]	Grey	8/16
03 363	60x60 [IMQ]	Grey	10/40
03 364	80x60 [IMQ]	Grey	10/30
03 365	100x60 [IMQ]	Grey	8/16
03 366	120x60 [IMQ]	Grey	8/16
03 367	150x60 [IMQ]	Grey	1/6
03 368	200x60 [IMQ]	Grey	1/6
03 375	100x80 [IMQ]	Grey	8/16
03 376	120x80 [IMQ]	Grey	8/16
03 377	150x80 [IMQ]	Grey	1/6
03 378	200x80 [IMQ]	Grey	1/4

# Feeder and cable trunking



4

Article	Trunking dimensions WxH (mm)	Color	Unit/pack-pieces
<b>End cap IP40</b>			
43 392	40x40 [IMQ]	White	20
43 393	60x40 [IMQ]	White	20
43 394	80x40 [IMQ]	White	20
43 395	100x40 [IMQ]	White	20
43 396	120x40 [IMQ]	White	20
43 403	60x60 [IMQ]	White	20
43 404	80x60 [IMQ]	White	20
43 405	100x60 [IMQ]	White	20
43 406	120x60 [IMQ]	White	20
43 407	150x60 [IMQ]	White	20
43 408	200x60 [IMQ]	White	20
43 415	100x80 [IMQ]	White	20
43 416	120x80 [IMQ]	White	20
43 417	150x80 [IMQ]	White	20
43 418	200x80 [IMQ]	White	20
03 432	40x40 [IMQ]	Grey	20
03 433	60x40 [IMQ]	Grey	20
03 434	80x40 [IMQ]	Grey	20
03 435	100x40 [IMQ]	Grey	20
03 436	120x40 [IMQ]	Grey	20
03 443	60x60 [IMQ]	Grey	20
03 444	80x60 [IMQ]	Grey	20
03 445	100x60 [IMQ]	Grey	20
03 446	120x60 [IMQ]	Grey	20
03 447	150x60 [IMQ]	Grey	20
03 448	200x60 [IMQ]	Grey	20
03 455	100x80 [IMQ]	Grey	20
03 456	120x80 [IMQ]	Grey	20
03 457	150x80 [IMQ]	Grey	20
03 458	200x80 [IMQ]	Grey	20

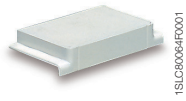


Article	Trunking base (mm)	Color	Unit/pack-pieces
<b>Joint cover</b>			
43 552	40 [IMQ]	White	20
43 553	60 [IMQ]	White	20
43 554	80 [IMQ]	White	20
43 555	100 [IMQ]	White	20
43 556	120 [IMQ]	White	20
43 565	150 [IMQ]	White	20
43 566	200 [IMQ]	White	20
03 572	40 [IMQ]	Grey	20
03 573	60 [IMQ]	Grey	20
03 574	80 [IMQ]	Grey	20
03 575	100 [IMQ]	Grey	20
03 576	120 [IMQ]	Grey	20
03 585	150 [IMQ]	Grey	20
03 586	200 [IMQ]	Grey	20

Overall dimensions ..... pages 10/7 - 10/11

# Feeder and cable trunking

## Accessories for feeder and cable trunking



1SLC8006#F001

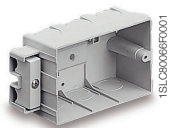
Article	Trunking dimensions WxH (mm)	Color	Unit/pack-pieces
<b>Tee</b>			
43 475	40/100 x 40/60 [IMQ]	White	20
43 488	40/200 x 40/60 [IMQ]	White	10
43 498	40/200 x 40/60/80 [IMQ]	White	10
03 515	40/100 x 40/60 [IMQ]	Grey	20
03 528	40/200 x 40/60 [IMQ]	Grey	10
03 538	40/200 x 40/60/80 [IMQ]	Grey	10



1SLC8006#F001

Article	Trunking dimensions WxH (mm)	Color	Unit/pack-pieces
<b>Junction box*</b>			
43 681	40/100 x 40/60 [IMQ]	White	1/10
43 682	120/200 x 40/80 [IMQ]	White	1/4
03 686	40/100 x 40/60 [IMQ]	Grey	1/10
03 687	120/200 x 40/80 [IMQ]	Grey	1/4

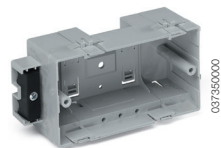
\* Switch-socket floor boxes and switch-socket boxes must be installed at a minimum height of 175 mm from the axis at which the socket is inserted at floor level, in compliance with IEC 64-8 standard



1SLC8006#F001

Article	Trunking dimensions WxH (mm)	Color	Unit/pack-pieces
<b>Switch-socket box interaxis 83.5 mm (3 places)*</b> For H 60/80			
03 724	Trunking base 80÷200 [IMQ]	Grey	1/20

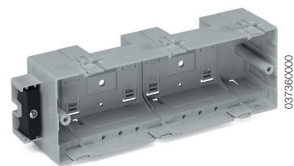
\* Switch-socket floor boxes and switch-socket boxes must be installed at a minimum height of 175 mm from the axis at which the socket is inserted at floor level, in compliance with IEC 64-8 standard



037350000

Article	Trunking dimensions WxH (mm)	Color	Unit/pack-pieces
<b>Switch-socket box interaxis 108 mm (4 places)*</b> For H 60/80			
03 735	Trunking base 100÷200	Grey	1/10

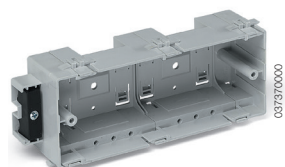
\* Switch-socket floor boxes and switch-socket boxes must be installed at a minimum height of 175 mm from the axis at which the socket is inserted at floor level, in compliance with IEC 64-8 standard



037350000

Article	Trunking dimensions WxH (mm)	Color	Unit/pack-pieces
<b>Switch-socket box interaxis 100 mm (6 places)*</b> For H 60/80			
03 736	Trunking base 100÷200	Grey	1/10

\* Switch-socket floor boxes and switch-socket boxes must be installed at a minimum height of 175 mm from the axis at which the socket is inserted at floor level, in compliance with IEC 64-8 standard



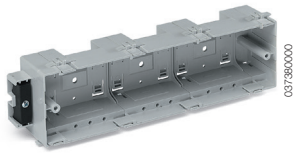
037370000

Article	Trunking dimensions WxH (mm)	Color	Unit/pack-pieces
<b>Switch-socket box German standard (2 places)*</b> For H 60/80			
03 737	Trunking base 100÷200	Grey	1/10

\* Switch-socket floor boxes and switch-socket boxes must be installed at a minimum height of 175 mm from the axis at which the socket is inserted at floor level, in compliance with IEC 64-8 standard

# Feeder and cable trunking

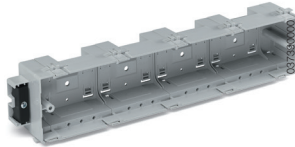
## Accessories for feeder and cable trunking



03736000

Article	Trunking dimensions WxH (mm)	Color	Unit/pack-pieces
<b>Switch-socket box German standard (3 places)*</b> For H 60/80			
03 738	Trunking base 100÷200	Grey	1/5

\* Switch-socket floor boxes and switch-socket boxes must be installed at a minimum height of 175 mm from the axis at which the socket is inserted at floor level, in compliance with IEC 64-8 standard



03736000

Article	Trunking dimensions WxH (mm)	Color	Unit/pack-pieces
<b>Switch-socket box German standard (4 places)*</b> For H 60/80			
03 739	Trunking base 100÷200	Grey	1/5

\* Switch-socket floor boxes and switch-socket boxes must be installed at a minimum height of 175 mm from the axis at which the socket is inserted at floor level, in compliance with IEC 64-8 standard



1SLC90087F0001

Article	Trunking dimensions WxH (mm)	Color	Unit/pack-pieces
<b>Switch-socket box interaxis 60 mm*</b> For H 60/80			
03 726	Trunking base 80÷200 [IMQ]	Grey	1/30

\* Switch-socket floor boxes and switch-socket boxes must be installed at a minimum height of 175 mm from the axis at which the socket is inserted at floor level, in compliance with IEC 64-8 standard



1SLC90089F0001

Article	Trunking dimensions WxH (mm)	Color	Unit/pack-pieces
<b>Box for telephone sockets*</b> For H 60/80			
03 730	Trunking base 80÷200 [IMQ] <small>For H 60/80</small>	Grey	1/30

\* Switch-socket floor boxes and switch-socket boxes must be installed at a minimum height of 175 mm from the axis at which the socket is inserted at floor level, in compliance with IEC 64-8 standard



1SLC90089F0001

Article	Trunking dimensions WxH (mm)	Color	Unit/pack-pieces
<b>Box for IEC plugs*</b> For H 60/80			
03 734	Trunking base 150/200	Grey	1/30

\* Switch-socket floor boxes and switch-socket boxes must be installed at a minimum height of 175 mm from the axis at which the socket is inserted at floor level, in compliance with IEC 64-8 standard



1SLC90079F0001

Article	Trunking base (mm)	Color	Unit/pack-pieces
<b>Equipment support</b>			
03 720	80÷100 [IMQ]	Grey	10/120



1SLC90079F0001

Article	Trunking base (mm)	Color	Unit/pack-pieces
<b>Equipment support retainer</b>			
03 711	100 [IMQ]	Grey	20/120
03 712	120 [IMQ]	Grey	20/120
03 713	150 [IMQ]	Grey	20/120

Overall dimensions ..... pages 10/7 - 10/11





Article	Trunking base (mm)	Color	Unit/pack-pieces
<b>Separator 2000 mm length</b>			
43 630	Trunking height 40 [IMQ]	White	metres 100
43 631	Trunking height 60 [IMQ]	White	metres 72



Article	Trunking base (mm)	Color	Unit/pack-pieces
<b>MCBs enclosure (WxH)</b>			
43 691	40/100x40/60 [IMQ]	White	1/10
43 692	120/200x40/80 [IMQ]	White	1/9
03 696	40/100x40/60 [IMQ]	Grey	1/10
03 697	120/200x40/80 [IMQ]	Grey	1/9



Article	Trunking base (mm)	Color	Unit/pack-pieces
<b>Plate for boxes interaxis 83.5 mm</b>			
43 744	80 [IMQ]	White	20/120
43 745	100 [IMQ]	White	15/90
43 746	120 [IMQ]	White	15/90
43 747	150 [IMQ]	White	15/90
43 748	200 [IMQ]	White	10/40
03 754	80 [IMQ]	Grey	20/120
03 755	100 [IMQ]	Grey	15/90
03 756	120 [IMQ]	Grey	15/90
03 757	150 [IMQ]	Grey	15/90
03 758	200 [IMQ]	Grey	10/40



Article	Trunking base (mm)	Color	Unit/pack-pieces
<b>Plate for boxes interaxis 108 mm (4 places)</b>			
43 950	100	White	1/10
43 951	120	White	1/10
43 952	150	White	1/10
43 953	200	White	1/10



Article	Trunking base (mm)	Color	Unit/pack-pieces
<b>Plate for boxes interaxis 100 mm (6 places)</b>			
43 955	100	White	1/10
43 956	120	White	1/10
43 957	150	White	1/10
43 958	200	White	1/10



Article	Trunking base (mm)	Color	Unit/pack-pieces
<b>Plate for boxes German standard (2 places)</b>			
43 960	100	White	1/10
43 961	120	White	1/10
43 962	150	White	1/10
43 963	200	White	1/10

# Feeder and cable trunking

## Accessories for feeder and cable trunking



Article	Trunking base (mm)	Color	Unit/pack-pieces
<b>Plate for boxes German standard (3 places)</b>			
43 965	100	White	1/10
43 966	120	White	1/10
43 967	150	White	1/10
43 968	200	White	1/10

4



Article	Trunking base (mm)	Color	Unit/pack-pieces
<b>Plate for boxes German standard (4 places)</b>			
43 970	100	White	1/10
43 971	120	White	1/10
43 972	150	White	1/10
43 973	200	White	1/10



Article	Trunking base (mm)	Color	Unit/pack-pieces
<b>Plate for telephone boxes interaxis 60 mm</b>			
43 764	80 [IMQ]	White	20/120
43 765	100 [IMQ]	White	15/90
43 766	120 [IMQ]	White	15/90
43 767	150 [IMQ]	White	15/90
43 768	200 [IMQ]	White	10/40
03 774	80 [IMQ]	Grey	20/120
03 775	100 [IMQ]	Grey	15/90
03 776	120 [IMQ]	Grey	15/90
03 777	150 [IMQ]	Grey	15/90
03 778	200 [IMQ]	Grey	10/40



Article	Trunking base (mm)	Color	Unit/pack-pieces
<b>Plate for 16 A CEE plugs</b>			
43 784	80 [IMQ]	White	20
43 785	100 [IMQ]	White	15
43 786	120 [IMQ]	White	15
43 787	150 [IMQ]	White	15
43 788	200 [IMQ]	White	10
03 794	80 [IMQ]	Grey	20
03 795	100 [IMQ]	Grey	15
03 796	120 [IMQ]	Grey	15
03 797	150 [IMQ]	Grey	15
03 798	200 [IMQ]	Grey	10

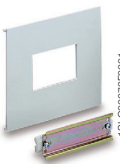


Article	Trunking base (mm)	Color	Unit/pack-pieces
<b>Plate for 16/32 A CEE plugs</b>			
43 806	120 [IMQ]	White	15
43 807	150 [IMQ]	White	15
43 808	200 [IMQ]	White	10
03 816	120 [IMQ]	Grey	15
03 817	150 [IMQ]	Grey	15
03 818	200 [IMQ]	Grey	10

Overall dimensions ..... pages 10/7 - 10/11



Article	Trunking base (mm)	Color	Unit/pack-pieces
<b>Plate for 32 A CEE plugs</b>			
43 826	120 [IMQ]	White	15/90
43 827	150 [IMQ]	White	15/90
43 828	200 [IMQ]	White	10/40
03 836	120 [IMQ]	Grey	15/90
03 837	150 [IMQ]	Grey	15/90
03 838	200 [IMQ]	Grey	10/40



Article	Trunking base (mm)	Color	Unit/pack-pieces
<b>Plate for MCBs (6 DIN modules)</b>			
43 846	120 [IMQ]	White	10/60
43 847	150 [IMQ]	White	10/60
43 848	200 [IMQ]	White	10/40
03 856	120 [IMQ]	Grey	10/60
03 857	150 [IMQ]	Grey	10/60
03 858	200 [IMQ]	Grey	10/40

# Feeder and cable trunking

## Accessories for feeder and cable trunking



Article	Trunking base (mm)	N° separatori installabili	Color	Unit/pack-pieces
<b>Fixing element (for feeder trunking)</b>				
03 653	60	2	Grey	20
03 654	80	2	Grey	20
03 655	100	2	Grey	20
03 656	120	4	Grey	20
03 657	150	4	Grey	20

4



Article	Trunking base (mm)	Color	Unit/pack-pieces
<b>Cable retainers</b>			
For cable trunking			
Using one of these every 0.5 metres means that the cover can be removed only by using a special tool.			
03 665	100 [IMQ]	Grey	20
03 666	120 [IMQ]	Grey	20
03 667	150 [IMQ]	Grey	20
03 668	200 [IMQ]	Grey	20

Horizontal joint for trunking



Article	Trunking dimensions WxH (mm)	Color	Unit/pack-pieces
<b>Collar cable retainers</b>			
03 675	100x60 [IMQ]	Grey	10/120
03 676	120x60 [IMQ]	Grey	10/120
03 678	100x80 [IMQ]	Grey	10/120
03 679	120x80 [IMQ]	Grey	10/60



Article	Trunking base (mm)	Color	Unit/pack-pieces
<b>Cable retaining bar</b>			
<b>For cable retainer</b>			
Using it every 0.5 m makes the cover removable only with the help of a tool.			
03 642	40 [IMQ]	Galvanized	20
03 643	60 [IMQ]	Galvanized	20
03 644	80 [IMQ]	Galvanized	20
03 645	100 [IMQ]	Galvanized	20
03 646	120 [IMQ]	Galvanized	20
03 647	150 [IMQ]	Galvanized	20
03 648	200 [IMQ]	Galvanized	20

Overall dimensions ..... pages 10/7 - 10/11



1SLC80084F0001

Article	Trunking height (mm)	Color	Unit/pack-pieces
<b>Flat joint for trunking</b>			
43 622	40 [IMQ]	White	20
43 623	60 [IMQ]	White	20
43 624	80 [IMQ]	White	20
03 626	40 [IMQ]	Grey	20
03 627	60 [IMQ]	Grey	20
03 628	80 [IMQ]	Grey	20



1SLC80085F0001

Article	Trunking height (mm)	Color	Unit/pack-pieces
<b>Straight joint</b>			
03 871	60/80 [IMQ]	Grey	10



1SLC80086F0001

Article	Trunking height (mm)	Color	Unit/pack-pieces
<b>Adjustable joint</b>			
03 873	60/80 [IMQ]	Grey	10



1SLC80087F0001

Article	Trunking height (mm)	Color	Unit/pack-pieces
<b>Wall bracket</b>			
03 865	40/100 [IMQ]	Grey	20/80
03 867	120/200 [IMQ]	Grey	1/20

# Feeder and cable trunking

## Design styled feeder and cable trunking

### Specifications

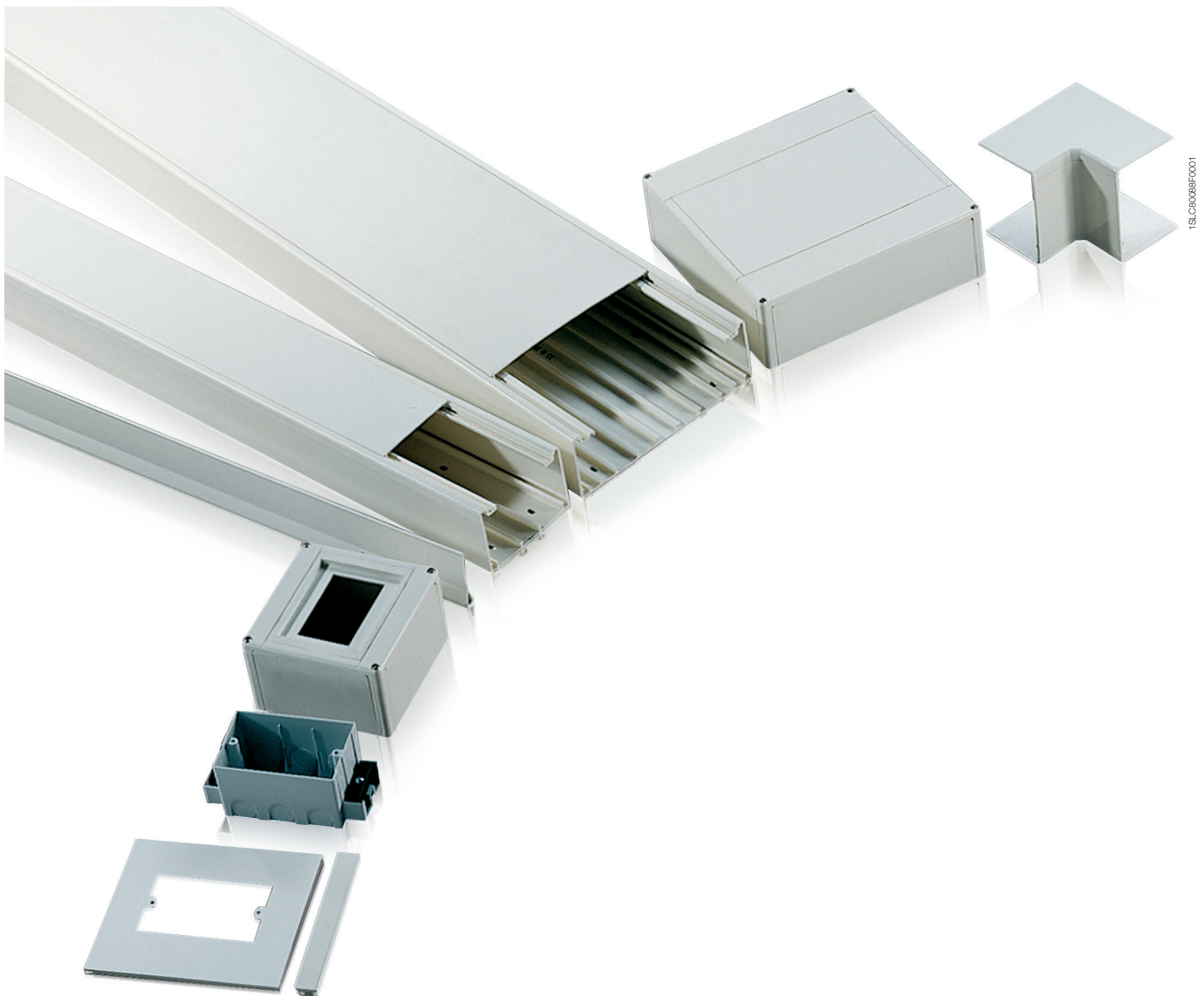
#### – color RAL 9016 white

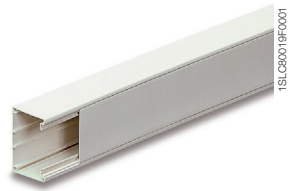
- straight elements made of plastic, insulating, shock-proof, self-extinguishing material in compliance with UL 94 V0 Standard and resistant to abnormal heat and fire up to 960°C (glow wire test) in compliance with IEC 60695-2-11 Standard
- resistant to acids, oils and greases
- standard 2-metre straight lengths complete with cover
- wall and ceiling mounting, fastening with dowels
- ready-made holes on the base for fastening to the wall
- residential and commercial applications
- resistance to impacts: 5 joules
- minimum storage and transport temperature: -15 °C
- minimum installation and usage temperature: -15 °C

- maximum usage temperature: 60 °C
- flame-retarding trunking system
- trunking system without electrical continuity
- trunking system with electrical insulating properties
- degree of protection of the case in compliance with EN 60529: IP40 Standard
- cover can be opened with specific tool
- trunking system can be mounted protruding from the wall or the ceiling
- installation system
- nominal voltage 500V



IMQ mark in compliance with  
EN 50085-1 + EN 50085-2-1 Standard





Article	Dimensions WxH (mm)	Color	Confezione
<b>Cable trunking IP40</b>			
44 010*	50x68 [IMQ]	White	28
44 012	100x68 [IMQ]	White	14
44 014	150x68 [IMQ]	White	10
44 016	200x68 [IMQ]	White	8

\* Cable trunking feeders for electric circuits

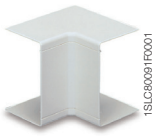


Article	Trunking base (mm)	Color	Unit/pack-pieces
<b>90° flat corner, IP40</b>			
44 050	50 [IMQ]	White	10/30
44 052	100 [IMQ]	White	8/16
44 054	150 [IMQ]	White	1/10

For 200-mm flat branch connections use art. 44 092



Article	Trunking base (mm)	Color	Unit/pack-pieces
<b>Junction box IP40</b>			
For cable trunking and branch connections with skirting and H 10, 17, 30 mini-trunking. Complete with separator.			
44 090	50/100 [IMQ]	White	1/10
44 092	150/200 [IMQ]	White	1/4



Article	Trunking base (mm)	Color	Unit/pack-pieces
<b>Internal corner IP40</b>			
44 130	50 [IMQ]	White	10/20
44 132	100 [IMQ]	White	1/20
44 134	150 [IMQ]	White	1/10
44 136	200 [IMQ]	White	1/10



Article	Trunking base (mm)	Color	Unit/pack-pieces
<b>External corner IP40</b>			
44 170	50 [IMQ]	White	10/20
44 172	100 [IMQ]	White	1/20
44 174	150 [IMQ]	White	1/10
44 176	200 [IMQ]	White	1/8



Article	Trunking height (mm)	Color	Confezione
<b>End cap IP40</b>			
44 210	50 [IMQ]	White	20
44 212	100 [IMQ]	White	20
44 214	150 [IMQ]	White	20
44 216	200 [IMQ]	White	15

Overall dimensions ..... pages 10/12 - 10/15

# Feeder and cable trunking

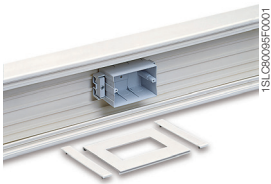
## Design styled cable trunking

4



1SLC80098F0001

Article	Length (mm)	Color	Confezione
<b>Divider</b> Snaps onto the base of all design styled cable trunking feeders.			
44 040	2000 [IMQ]	White	52



1SLC80098F0001

Article	Trunking base (mm)	Color	Unit/pack-pieces
<b>Switch-socket base interaxis 83.5 mm</b> To install 3 modular devices.			
44 352	100 [IMQ]	White	1/20
44 354	150 [IMQ]	White	1/10
44 356	200 [IMQ]	White	1/10



1SLC80098F0001

Article	Trunking base (mm)	Color	Unit/pack-pieces
<b>Box for telephone socket</b> To install a unified telephone socket.			
44 434	150 [IMQ]	White	1/10
44 436	200 [IMQ]	White	1/10



1SLC80097F0001

Article	Trunking base (mm)	Color	Unit/pack-pieces
<b>Box interaxis 60/67 mm</b> To install 2 modular or fastener devices.			
44 452	100 [IMQ]	White	1/20
44 454	150 [IMQ]	White	1/10
44 456	200 [IMQ]	White	1/10



1SLC80098F0001

Article	Trunking base (mm)	Color	Unit/pack-pieces
<b>Universal adjustable box</b> For IEC 16 and 32 A plugs.			
44 514	150 [IMQ]	White	1/10
44 516	200 [IMQ]	White	1/10



1SLC80098F0001

Article	Trunking base (mm)	Color	Unit/pack-pieces
<b>Blank box 73x73 mm</b>			
44 554	150 [IMQ]	White	1/10
44 556	200 [IMQ]	White	1/10

### Technical details

- Boxes snap onto the base of the trunking
- Boxes come complete with plate and two flat joints for the cover
- Cable clamps for safely anchoring cables  
Minimum installation height of 175 mm from the axis at which the socket is inserted at floor level, in compliance with CEI 64-8 Standard secondo Norma CEI 64-8.

Overall dimensions ..... pages 10/12 - 10/15



# Feeder and cable trunking

## Accessories for design styled cable trunking



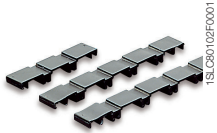
1SLC80102F0001

Article	Trunking base (mm)	Color	Unit/pack-pieces
<b>Cover joint</b>			
44 250	50 [IMQ]	White	20
44 252	100 [IMQ]	White	20
44 254	150 [IMQ]	White	20
44 256	200 [IMQ]	White	20



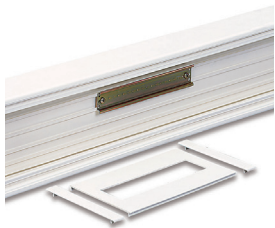
1SLC80101F0001

Article	Trunking base (mm)	Color	Unit/pack-pieces
<b>Flat joint for trunking</b>			
44 291	Universale [IMQ]	White	20



1SLC80102F0001

Article	Trunking base (mm)	Color	Unit/pack-pieces
<b>Cable retainer</b>			
04 322	100 [IMQ]	Nero	20
04 324	150 [IMQ]	Nero	20
04 326	200 [IMQ]	Nero	20



1SLC80102F0001

Article	Trunking height (mm)	Color	Unit/pack-pieces
<b>MCBs kit</b>			
To fasten any kind of 17.5x45 mm modular device.			
<b>Four modules</b>			
44 634	150 [IMQ]	White	10/40
44 636	200 [IMQ]	White	5/20
<b>Ten modules</b>			
44 654	150 [IMQ]	White	10/40
44 656	200 [IMQ]	White	5/20



1SLC80104F0001

Article	Trunking height (mm)	Color	Unit/pack-pieces
<b>MCBs enclosure 17.5x45 mm</b>			
<b>Four modules</b>			
44 680	50/100 [IMQ]	White	1/10
<b>Ten modules</b>			
44 682	150/200 [IMQ]	White	1/4



# Skirting, dado and floor trunking

Skirting and dado trunking	5/2
Floor trunking	5/6

# Skirting, dado and floor trunking

## Skirting and dado trunking

### Specifications

- colors:
  - **RAL 9016 white**
  - RAL 7021 dark grey
  - RAL 8014 brown
- straight elements made of plastic, insulating, shock-proof, self-extinguishing material in compliance with UL 94 V0 Standard and resistant to abnormal heat and fire up to 960°C (glow wire test) in compliance with IEC 60695-2-11 Standard
- resistant to acids, oils and greases
- standard 2-metre-long base and covers, coated in scratchproof protective film
- ready-made holes on the base for fastening to the wall
- equipped with three compartments (one of which has a built-in compartment cover) for storage of electric, telephone and aerial cables separately
- covers snap onto the base
- residential application

- resistance to impacts: 5 joules
- minimum storage and transport temperature: - 15 °C
- minimum installation and usage temperature: -15 °C
- maximum usage temperature: 60 °C
- flame-retarding trunking system
- trunking system without electrical continuity
- trunking system with electrical insulating properties
- degree of protection of the case in compliance with EN 60529: IP40 Standard
- cover can be opened with specific tool
- trunking system can be mounted protruding from the wall or the ceiling
- installation system
- nominal voltage 500V

5



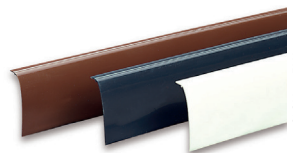
IMQ mark in compliance with  
EN 50085-1 + EN 50085-2-1 Standard



15LC00112F0001



Article	Dimensions WxHxL (mm)	Color	Unit/pack-metres
<b>Base for skirting and dado</b>			
42 010	85x21.7x2000 [IMQ]	White	48
02 011	85x21.7x2000 [IMQ]	Dark grey	48



Article	Length (mm)	Color	Unit/pack-metres
<b>Skirting cover</b>			
42 015	2000 [IMQ]	White	48
02 016	2000 [IMQ]	Dark grey	48
02 017*	2000 [IMQ]	Brown	48

\* Article 02 017 must be used with base 02 011



Article	Length (mm)	Color	Unit/pack-metres
<b>Dado cover</b>			
42 012	2000 [IMQ]	White	48
02 013	2000 [IMQ]	Dark grey	48
02 014*	2000 [IMQ]	Brown	48

\* Article 02 014 must be used with base 02 011



Article	Description	Color	Unit/pack-pieces
<b>90° flat corner</b>			
42 022	Dado [IMQ]	White	1/80
02 023	Dado [IMQ]	Dark grey	1/80
02 024	Dado [IMQ]	Brown	1/80
42 025	Right skirting [IMQ]	White	1/80
02 026	Right skirting [IMQ]	Dark grey	1/80
02 027	Right skirting [IMQ]	Brown	1/80
42 028	Left skirting [IMQ]	White	1/80
02 029	Left skirting [IMQ]	Dark grey	1/80
02 030	Left skirting [IMQ]	Brown	1/80



Article	Description	Color	Unit/pack-pieces
<b>Box for flat branch connections</b>			
Side trimmings. Complete with circuit separator.			
42 032	Dado/Skirting [IMQ]	White	1/40
02 033	Dado/Skirting [IMQ]	Dark grey	1/40
02 034	Dado/Skirting [IMQ]	Brown	1/40

When used together with the 4-device box, these articles form a switch-socket floor box

# Skirting, dado and floor trunking

## Skirting and dado trunking



Article	Description	Color	Unit/pack-pieces
<b>Internal corner</b>			
42 042	Adjustable dado [IMQ]	White	1/60
02 043	Adjustable dado [IMQ]	Dark grey	1/60
02 044	Adjustable dado [IMQ]	Brown	1/60
42 046	Fixed dado [IMQ]	White	1/60
02 047	Fixed dado [IMQ]	Dark grey	1/60
02 048	Fixed dado [IMQ]	Brown	1/60
42 049	Fixed skirting [IMQ]	White	1/60
02 050	Fixed skirting [IMQ]	Dark grey	1/60
02 051	Fixed skirting [IMQ]	Brown	1/60

5



Article	Description	Color	Unit/pack-pieces
<b>External corner</b>			
42 052	Adjustable dado [IMQ]	White	1/60
02 053	Adjustable dado [IMQ]	Dark grey	1/60
02 054	Adjustable dado [IMQ]	Brown	1/60
42 056	Fixed dado [IMQ]	White	1/60
02 057	Fixed dado [IMQ]	Dark grey	1/60
02 058	Fixed dado [IMQ]	Brown	1/60
42 059	Fixed skirting [IMQ]	White	1/60
02 060	Fixed skirting [IMQ]	Dark grey	1/60
02 061	Fixed skirting [IMQ]	Brown	1/60

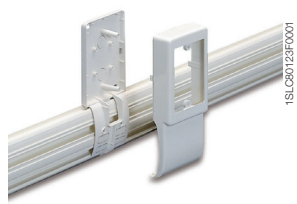


Article	Description	Color	Unit/pack-pieces
<b>Compartment cover</b>			
Snaps onto special housing on the base of the skirting. Easy to insert and holds cables inside compartment. RAL 3000 red. Standard 1-meter length.			
02 018	[IMQ]	Red	metri 100



Article	Description	Color	Unit/pack-pieces
<b>Switch-socket box</b>			
<b>Box for 2 devices (or fasteners)</b>			
42 096	Inter. 60/67 mm [IMQ]	White	1/30
02 097	Inter. 60/67 mm [IMQ]	Dark grey	1/30
02 098	Inter. 60/67 mm [IMQ]	Brown	1/30
<b>Box for 3 devices</b>			
42 092	Inter. 83,5 mm [IMQ]	White	1/30
02 093	Inter. 83,5 mm [IMQ]	Dark grey	1/30
02 094	Inter. 83,5 mm [IMQ]	Brown	1/30
<b>Box for 4 devices</b>			
41 830	Inter. 108 mm [IMQ]	White	1/20
01 832	Inter. 108 mm [IMQ]	Brown	1/20
01 833	Inter. 108 mm [IMQ]	Dark grey	1/20

Overall dimensions ..... pages 10/14 - 10/18



Article	Description	Color	Unit/pack-pieces
---------	-------------	-------	------------------

**Switch-socket box**

**3-device floor box for trunking in vertical position (dado)**

42 102	Inter. 83,5 mm [IMQ]	White	1/20
02 103	Inter. 83,5 mm [IMQ]	Dark grey	1/20
02 104	Inter. 83,5 mm [IMQ]	Brown	1/20

**3-device floor box for trunking in horizontal position (dado/skirting)**

42 105	Inter. 83,5 mm [IMQ]	White	1/14
02 109	Inter. 83,5 mm [IMQ]	Dark grey	1/14
02 110	Inter. 83,5 mm [IMQ]	Brown	1/14

**2-device floor box (or fasteners)**

42 106	Inter. 60/67 mm [IMQ]	White	1/20
02 107	Inter. 60/67 mm [IMQ]	Dark grey	1/20
02 108	Inter. 60/67 mm [IMQ]	Brown	1/20

Article	Device	Modules	Mounting	Color	Unit/pack-pieces
---------	--------	---------	----------	-------	------------------

**French standard switch-socket box**

For 1/2 Galion and Mosaic type devices.

42 600	Galion	1	Horizontal	White	1/16
42 601	Galion	1	Vertical	White	1/16
42 606	Mosaic	2	Horizontal/Vertical	White	1/16

Article	Device	Modules	Mounting	Color	Unit/pack-pieces
---------	--------	---------	----------	-------	------------------

**Spanish standard switch-socket box**

For 2 Stylo and Simon type devices.

42 605	Stylo	2	Horizontal/Vertical	White	1/16
42 607	Simon	2	Horizontal/Vertical	White	1/16

Article	Description	Color	Unit/pack-pieces
---------	-------------	-------	------------------

**Cover interaxis 83.5 mm**

Fastened with 2 screws on box or floor box..

42 112	Telephone socket [IMQ]	White	20
00 059	Plain cover [IMQ]	White	20

Article	Description	Color	Unit/pack-pieces
---------	-------------	-------	------------------

**End cap**

42 062	Dado [IMQ]	White	40
02 063	Dado [IMQ]	Dark grey	40
02 064	Dado [IMQ]	Brown	40
42 065	Right skirting [IMQ]	White	40
02 066	Right skirting [IMQ]	Dark grey	40
02 067	Right skirting [IMQ]	Brown	40
42 068	Left skirting [IMQ]	White	40
02 069	Left skirting [IMQ]	Dark grey	40
02 070	Left skirting [IMQ]	Brown	40

Article	Description	Color	Unit/pack-pieces
---------	-------------	-------	------------------

**Flat joint for cover**

42 072	Dado [IMQ]	White	40
02 073	Dado [IMQ]	Dark grey	40
02 074	Dado [IMQ]	Brown	40
42 075	Skirting [IMQ]	White	40
02 076	Skirting [IMQ]	Dark grey	40
02 077	Skirting [IMQ]	Brown	40

# Skirting, dado and floor trunking

## Floor trunking

### Technical details

– degree of protection IP40

– Colors:

- RAL 9016 white

- RAL 7021 dark grey

- RAL 8014 brown

- RAL 7030 grey

– plastic, insulating, shock-proof, self-extinguishing material in compliance with UL 94 V0 Standard and resistant to abnormal heat and fire up to 960 °C, 1760°F (glow wire test) in compliance with IEC 695-2-1 Standard

- dimensional stability from -20 to +60 °C, -4 to 140°F
- resistant to acids, oils, and greases
- special design giving high resistance to crushing
- standard 2-metre long base complete with cover
- bars fitted with three compartments to house electric, telephone and data transmission cables separately
- residential and commercial applications



1SLC00129C001





1SLC80129F0001

Article	Dimensions WxHxL (mm)	Color	Unit/pack-metres
<b>Floor trunking</b>			
42 512	75x18x2000	White	20
02 513	75x18x2000	Dark grey	20
02 514	75x18x2000	Brown	20
02 515	75x18x2000	Grey	20



1SLC80130F0001

Article	Description	Color	Unit/pack-pieces
<b>Skirting box</b> With dividers to separate different circuits.			
42 522	Dado/Skirting	White	1/40
02 523	Dado/Skirting	Dark grey	1/40
02 524	Dado/Skirting	Brown	1/40



1SLC80131F0001

Article	Description	Color	Unit/pack-pieces
<b>Floor junction box</b> With dividers to separate different circuits.			
42 532		White	1/30
02 533		Dark grey	1/30
02 534		Brown	1/30
02 535		Grey	1/30



1SLC80132F0001

Article	Description	Color	Unit/pack-pieces
<b>Switch-socket floor box interaxis 83.5 mm</b> With dividers to separate different circuits.			
42 542	3+3 devices	White	1/5
02 543	3+3 devices	Dark grey	1/5
02 544	3+3 devices	Brown	1/5
02 545	3+3 devices	Grey	1/5

Two-sided version – each side can be fitted with 3 of any of the modular devices on the market or a unified telephone socket using the appropriate cover (art. 42 112)



1SLC80125F0001

Article	Dimensions WxHxL (mm)	Color	Unit/pack-pieces
<b>Cover interaxis 83.5 mm</b> Fastened onto floor box with 2 screws.			
42 112	Telephone socket	White	20
00 059	Plain	White	20



# Wiring ducts

Halogen free wiring ducts with vertical slots	<b>6/2</b>
Thermoplastic wiring ducts with vertical slots	<b>6/4</b>
Flexible thermoplastic wiring ducts	<b>6/8</b>
Thermoplastic wiring ducts with circular knockouts	<b>6/10</b>

# Wiring ducts

## Halogen free wiring ducts with vertical slots

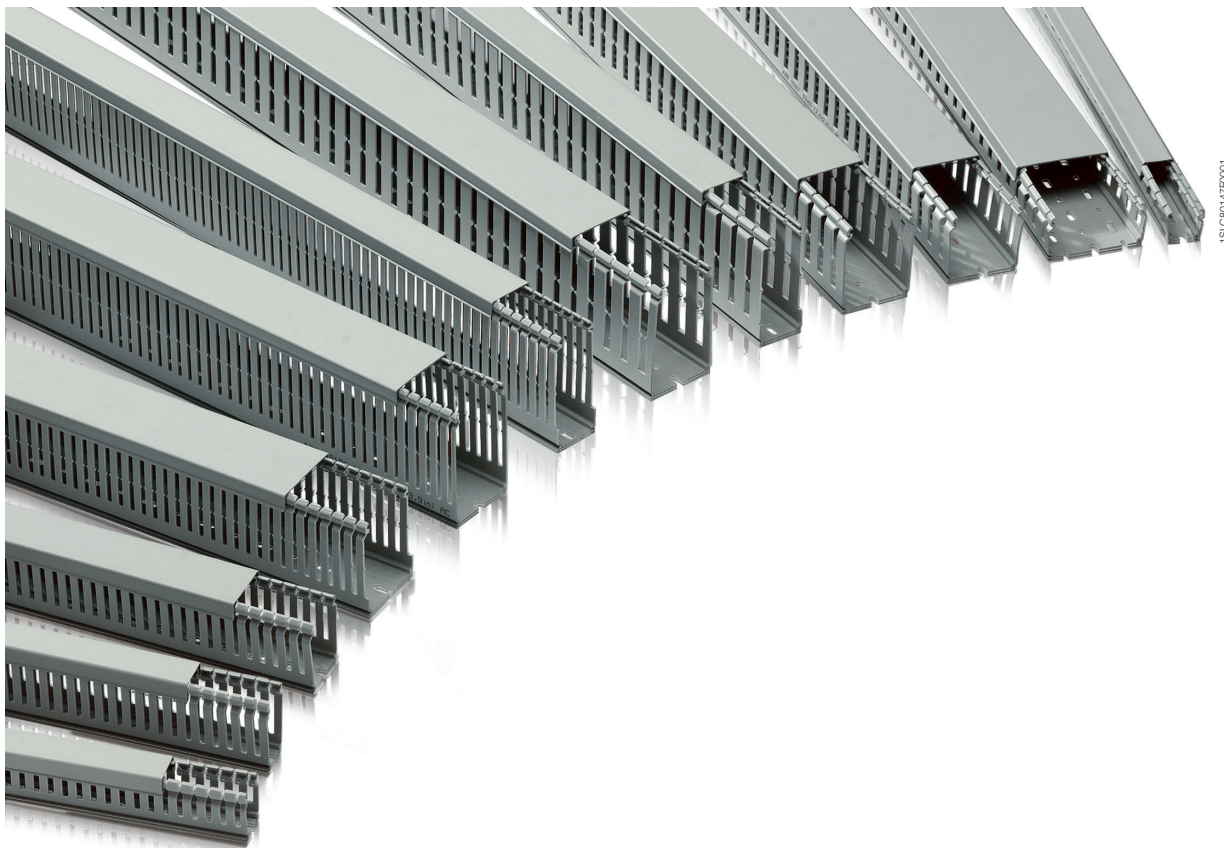


### Technical details

- **Color RAL 7035 grey**
- halogen-free thermoplastic material in compliance with VDE 0472 Part 815 Standard: Br + Cl < 0.2 %, F < 0.1 %
- smoke toxicity index: 25.78 according to NF X70-100 and NF F16-101 Standards
- smoke opacity index\*:
  - Dm 352.2 (2 mm)
  - VOF4 475.8 (2 mm) in compliance with NF X10-702 Standard (reference NF F16-101)
- \* in the event of fire, it is extremely important for the smoke opacity level to be as low as possible during the first 4 minutes in order to allow people to move away from the areas of risk
- on the basis of the values obtained during the smoke opacity and toxicity tests, the material falls within class F2 (in compliance with NF F16-101 Standard)
- insulating, shock-proof, self-extinguishing material in compliance with UL 94 V0 Standard and resistant to abnormal heat and fire up to 850°C (glow wire test) in compliance with IEC 695-2-1 Standard
- dimensional stability from -40 to +100 °C
- resistant to acids, oils, and greases
- absence of burrs, rounded internal edges
- dimensions and resilience of ribs guarantee repeated splaying during the wiring phase

- controlled splaying of sides for guaranteeing a perfect seal of the cover in vertical sections and in the case of high temperatures
- two prearranged trimming lines: one line at the basis of ribs in order to remove them by bending them towards the outside direction and another line at the basis of the wall in order to cut the edge when two connection ducts are used
- cable holder mouldings halfway along the straight section of the ribs in 80 mm high ducts
- standard 2-metre length
- **trunking comply with the EN 50085-2-3 European Standard**
- fields of application: residential, industrial and commercial
- RoHS Directive compliant
- EN45545-2-compliant trunking: 2013 risk class HL3 requirement R22-R23

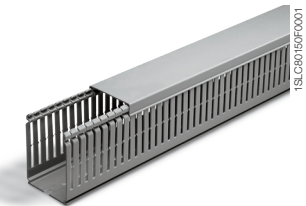
6



1S/C60147F001



1SLC9024F0001



1SLC9019F0001



1SLC9104F0001

Article	Dimensions WxH (mm)	Unit/pack-metres
<b>Ducts with 8/12 mm slots</b>		
1SL9019A00	15x17	46
1SL9033A00	25x30	58
1SL9035A00	40x30	38
1SL9037A00	60x30	52
1SL9043A00	25x40	48
1SL9045A00	40x40	30
1SL9047A00	60x40	40
1SL9049A00	80x40	32
1SL9051A00	100x40	24
1SL9053A00	120x40	20
1SL9063A00	25x60	34
1SL9065A00	40x60	22
1SL9067A00	60x60	32
1SL9069A00	80x60	24
1SL9071A00	100x60	20
1SL9073A00	120x60	14
1SL9083A00	25x80	28
1SL9085A00	40x80	36
1SL9087A00	60x80	24
1SL9089A00	80x80	16
1SL9091A00	100x80	16
1SL9093A00	120x80	12
1SL9095A00	40x100	28
1SL9096A00	60x100	20
1SL9097A00	80x100	14
1SL9098A00	100x100	8
<b>Ducts with 4/6 mm slots</b>		
1SL9119A00	15x17	46
1SL9133A00	25x30	58
1SL9135A00	40x30	38
1SL9137A00	60x30	52
1SL9143A00	25x40	48
1SL9145A00	40x40	30
1SL9147A00	60x40	40
1SL9149A00	80x40	32
1SL9151A00	100x40	24
1SL9153A00	120x40	20
1SL9163A00	25x60	34
1SL9165A00	40x60	22
1SL9167A00	60x60	32
1SL9169A00	80x60	24
1SL9171A00	100x60	20
1SL9173A00	120x60	14
1SL9183A00	25x80	28
1SL9185A00	40x80	36
1SL9187A00	60x80	24
1SL9189A00	80x80	16
1SL9191A00	100x80	16
1SL9193A00	120x80	12
<b>Spare covers</b>		
Article	Description	Unit/pack-metres
1SL5316A00	Trunking base 15 mm	2/200
1SL5317A00	Trunking base 25 mm	2/60
1SL5318A00	Trunking base 40 mm	2/40
1SL5319A00	Trunking base 60 mm	2/24
1SL5320A00	Trunking base 80 mm	2/16
1SL5321A00	Trunking base 100 mm	2/48
1SL5322A00	Trunking base 120 mm	2/36

Overall dimensions ..... pages 10/22 - 10/25

# Wiring ducts

## Thermoplastic wiring ducts with vertical slots



### Technical details

- **Color RAL 7030 grey**
- plastic, insulating, shock-proof, self-extinguishing material in compliance with UL 94 V0 Standard and resistant to abnormal heat and fire up to 960 °C (glow wire test) in compliance with IEC 695-2-1 Standard
- minimum storage/transport temperature -5 °C
- minimum installation and usage temperature -15 °C
- maximum usage temperature +60 °C
- resistant to acids, oils, and greases
- no burr, rounded-off inner edges
- new rib profile makes it easy to open and close the cover and guarantees that it clips on more safely
- designed to snap onto the Fix-O-rapid special accessory, suitable to be fastened both to DIN rail and base plate
- the ribs are cut using a special pressing process (rounding of the edges) producing wiring ducts completely free of burr and rough edges
- the dimensions and resilience of the ribs ensure repeated splaying during cabling

- controlled splaying of sides to ensure a perfect seal of the cover in the vertical sections and at high temperatures
- double trimming line, one at the base of the ribs so that they can be removed by bending them outwards and one at the base of the lateral sides so that the edge can be cut when two wiring ducts are branched
- cable holder mouldings half-way up the straight section of the ribs in 80 and 100-mm high wiring ducts
- cover can be opened without having to use a special tool
- can be mounted on horizontal or vertical surfaces even when the cover is on the bottom
- standard 2-metre length
- industrial application
- RoHS-Directive compliant
- trunking compliant with the new European Standard EN 50085-2-3

6



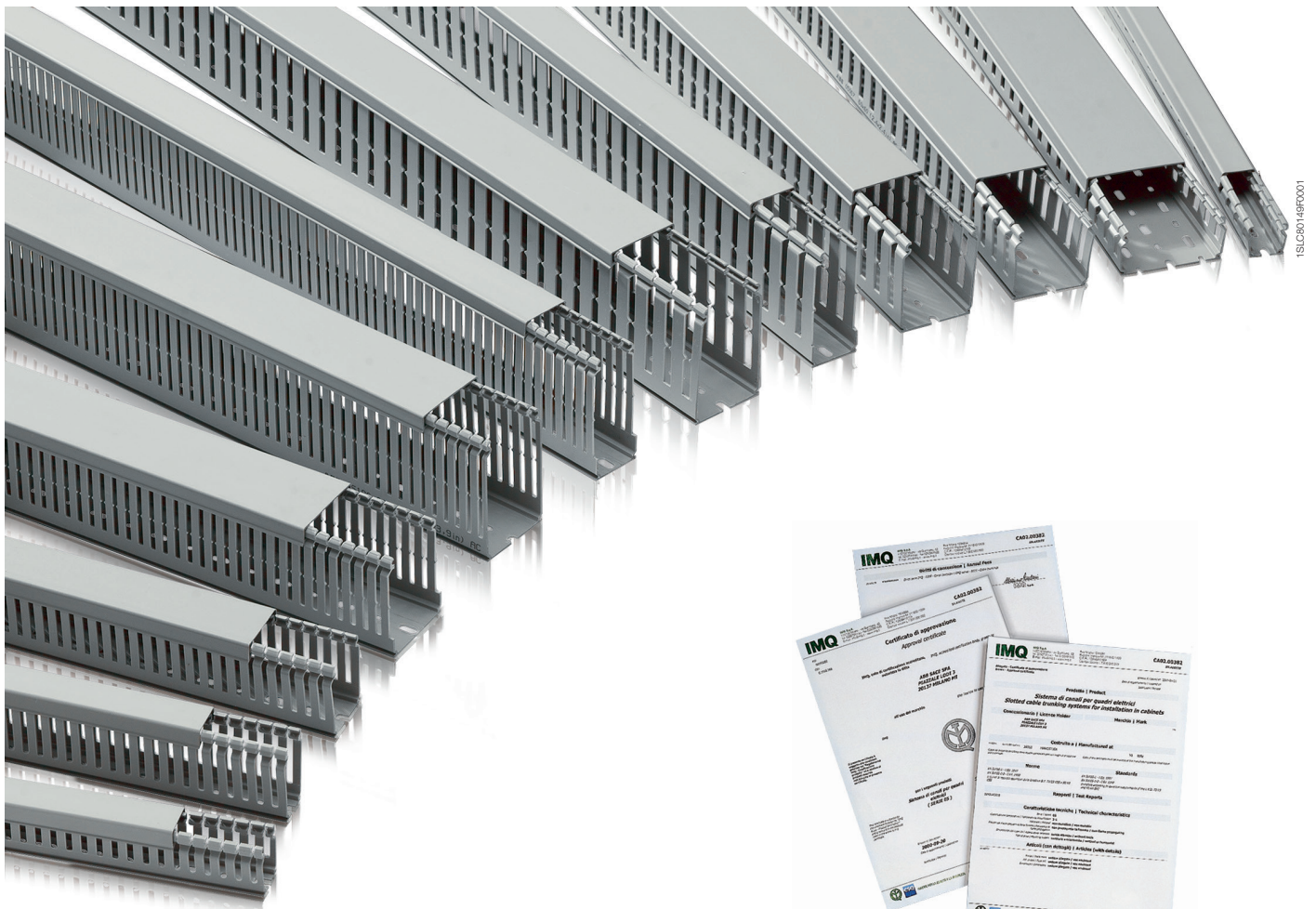
IMQ mark in compliance with EN 50085-2-3 Standard



RINA Approved Declaration N°5/16391



Approved by Canadian Standards Association



1SLC90149P0001



Article	Dimensions WxH (mm)	Weight (kg/m)	Unit/pack-metres
<b>Wiring duct with 8/12 mm slots</b>			
05 019	15x17	0,06	46
05 033	25x30	0,21	58
05 035	40x30	0,27	38
05 037	60x30	0,38	52
05 043	25x40	0,25	48
05 045	40x40	0,31	30
05 047	60x40	0,46	40
05 049	80x40	0,47	32
05 051	100x40	0,55	24
05 053	120x40	0,65	20
05 063	25x60	0,24	34
05 065	40x60	0,34	22
05 067	60x60	0,47	32
05 069	80x60	0,52	24
05 071	100x60	0,59	20
05 073	120x60	0,73	14
05 083	25x80	0,29	28
05 085	40x80	0,38	36
05 087	60x80	0,50	24
05 089	80x80	0,59	16
05 091	100x80	0,68	16
05 093	120x80	0,89	12
05 094	25x100	0,46	20
05 095	40x100	0,53	28
05 096	60x100	0,73	20
05 097	80x100	0,91	14
05 098	100x100	1,06	8
05 099	150x100	1,37	8
<b>Wiring duct with 4/6 mm slots</b>			
05 119	15x17	0,06	46
05 133	25x30	0,21	58
05 135	40x30	0,27	38
05 137	60x30	0,38	52
05 143	25x40	0,25	48
05 145	40x40	0,31	30
05 147	60x40	0,46	40
05 149	80x40	0,47	32
05 151	100x40	0,55	24
05 153	120x40	0,65	20
05 163	25x60	0,24	34
05 165	40x60	0,34	22
05 167	60x60	0,47	32
05 169	80x60	0,52	24
05 171	100x60	0,59	20
05 173	120x60	0,73	14
05 183	25x80	0,29	28
05 185	40x80	0,38	36
05 187	60x80	0,50	24
05 189	80x80	0,59	16
05 191	100x80	0,68	16
05 193	120x80	0,89	12
05 194	25x100	0,46	20
05 195	40x100	0,53	28
05 196	60x100	0,73	20
05 197	80x100	0,91	14
05 198	100x100	1,06	8
05 199	150x100	1,37	8



Overall dimensions ..... pages 10/22 - 10/25

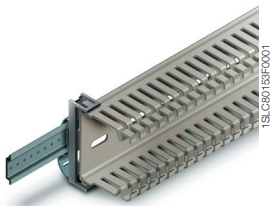
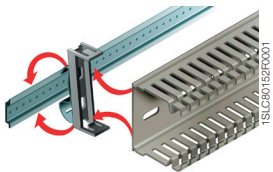
# Wiring ducts

## Thermoplastic wiring ducts with vertical slots



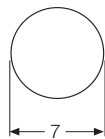
Article	Description	Unit/pack-pieces
<b>Spare covers</b>		
05 300	Trunking base 15	2/200
05 302	Trunking base 25	2/60
05 304	Trunking base 40	2/40
05 306	Trunking base 60	2/24
05 308	Trunking base 80	2/16
05 310	Trunking base 100	2/48
05 312	Trunking base 120	2/36
05 314	Trunking base 150	2/28

6



Article	Description (mm)	Unit/pack-pieces
<b>Fix-O-rapid</b>		
<b>Rapid clip for DIN rail</b>		
05 250	Trunking base 25	20/600
05 252	Trunking base 40	20/600
05 254	Trunking base 60	20/600
05 256	Trunking base 80	20/240
05 258	Trunking base 100	20/240
05 260	Trunking base 120	20/240
05 262	Trunking base 150	20/240
<b>Rapid clip for base plate</b>		
05 270	Trunking base 25	20/600
05 272	Trunking base 40	20/600
05 274	Trunking base 60	20/600
05 276	Trunking base 80	20/240
05 278	Trunking base 100	20/240
05 280	Trunking base 120	20/240
05 282	Trunking base 150	20/240

Can be snapped onto holes as shown:



Overall dimensions ..... pages 10/22 - 10/25



# Wiring ducts

## Thermoplastic wiring ducts with vertical slots



1SLC80169F0001

Article	Description (mm)	Unit/pack-pieces
<b>Duct shears</b>		
05 265		1



FLC0 9009 Ver.08

Article	Description (mm)	Unit/pack-pieces
<b>Rivet fastener</b>		
05 266	For ø 4 and 6mm rivets (Black Color)	1/12
05 268	For ø 4mm rivets (Green Color)	1/12



1SLC80169F0001

Article	Description (mm)	Unit/pack-pieces
<b>Plastic rivet</b>		
05 214	ø 4 mm	100
05 216	ø 6 mm	100



1SLC80169F0001

Article	Description (mm)	Unit/pack-pieces
<b>Plastic cable retainer</b>		
05 224	Trunking base 40	100
05 226	Trunking base 60	100
05 228	Trunking base 80	100
05 230	Trunking base 100/120	100



1SLC80160F0001

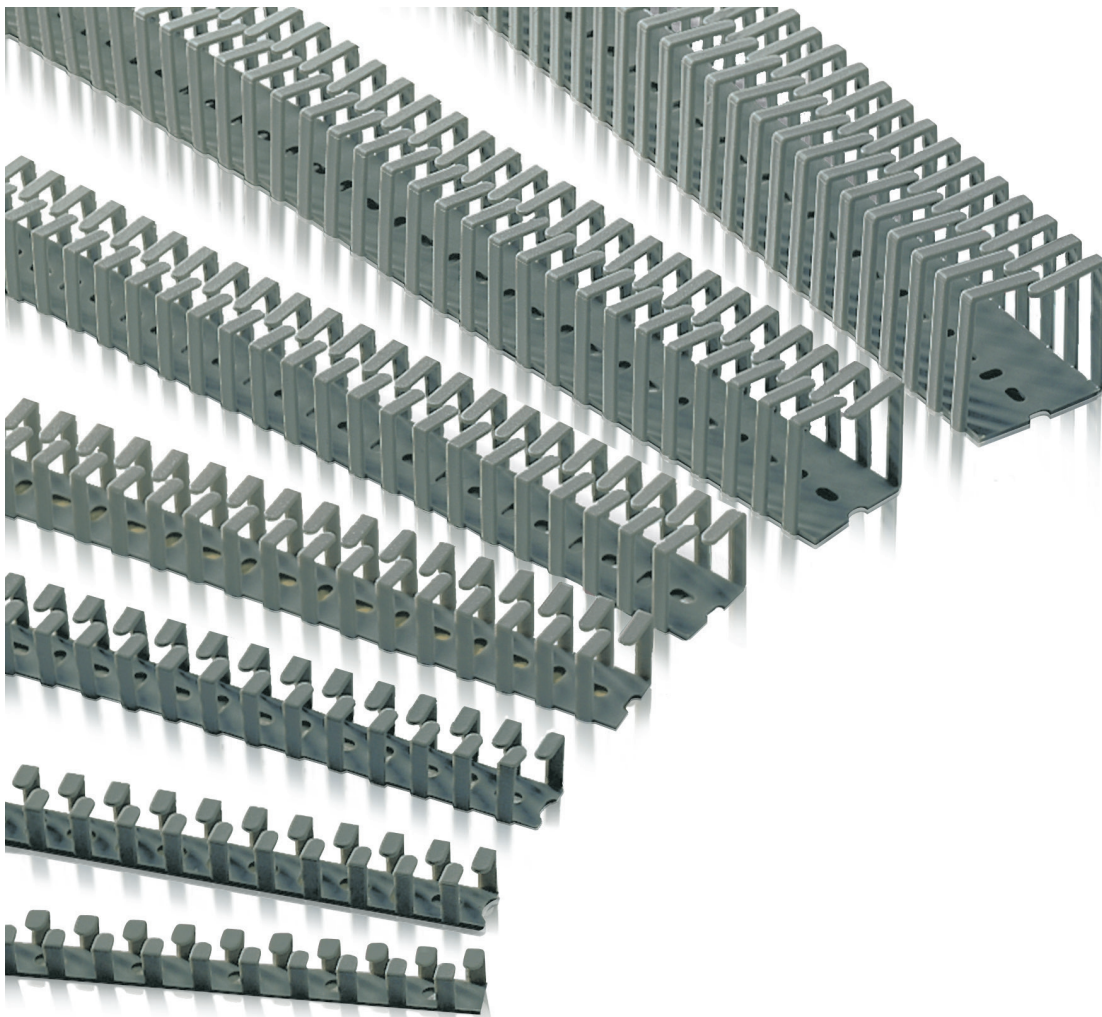
Article	Description (mm)	Unit/pack-pieces
<b>Plastic label tag</b>		
Suitable for wiring ducts with 8/12 mm slots only.		
05 240		100

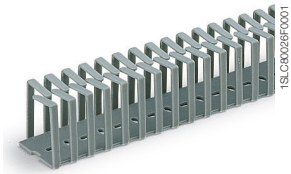
# Wiring ducts

## Flexible thermoplastic wiring duct

### Technical details

- **Color RAL 7040 grey**
- plastic, insulating, shock-proof, self-extinguishing material in compliance with UL 94 V2 Standard and resistant to permanent temperature of 80 °C and peaks up to 110 °C in compliance with IEC 216 Standards
- resistant to acids, oils, and greases
- ribs alternate and angle slightly inwards to make it easier to insert and extract cables
- no covers so that cables can be constantly monitored
- possibility of fastening using screws and rivets or bi-adhesive tape which sticks strongly to the steel (pre-mounted)
- suitable for connecting panels and doors with compass opening mechanisms and in general for applications where cabling is subject to bending and twisting
- **standard 500-mm length**
- industrial applications





Article	Dimensions WxH (mm)	Weight (kg/piece)	Unit/pack-pieces
<b>Flexible wiring duct</b>			
Slot pitch 7,5/5.			
Standard length 500 mm.			
05 400	12,5x12,5	0,011	112
05 402	16x16	0,014	84
05 405	20x20	0,024	112
05 410	25x25	0,033	70
05 415	30x30	0,044	50
05 420	40x40	0,066	50
05 425	50x50	0,100	32

# Wiring ducts

## Thermoplastic wiring duct with circular knockouts

### Technical details

- Color **RAL 7030 grey**
- plastic, insulating, shock-proof, self-extinguishing material in compliance with UL 94 V0 Standard and resistant to high heat and fire up to 960 °C (glow wire test) in compliance with IEC 695-2-1 Standard
- dimensional stability from -20 to +60 °C
- resistant to acids, oils, and greases
- circular knockouts on sides with alternate diameters of 18 and 23 mm and interaxis of 50 mm
- ideal solution for branch connection of rigid or corrugated conduits
- specially designed for specific applications, such as elevators
- standard 2-metre length
- industrial applications





Article	Dimensions WxH (mm)	Weight (kg/m)	Unit/pack-metres
<b>Wiring duct with round holes</b>			
Standard 2-metre length.			
05 330	50x50	0,603	36
05 331	100x60	0,952	18



# Industrial cable tray

## Steel wire cable trays

Steel wire cable trays H 35	7/3
Steel wire cable trays H 50	7/3
Steel wire cable trays H 75	7/4
Steel wire cable trays H 100	7/4

## Sendzimir trunking

Sendzimir trunking H 50	7/8
Sendzimir trunking H 75	7/18

## Cable ladders and trays - hot dip Galvanized after fabrication

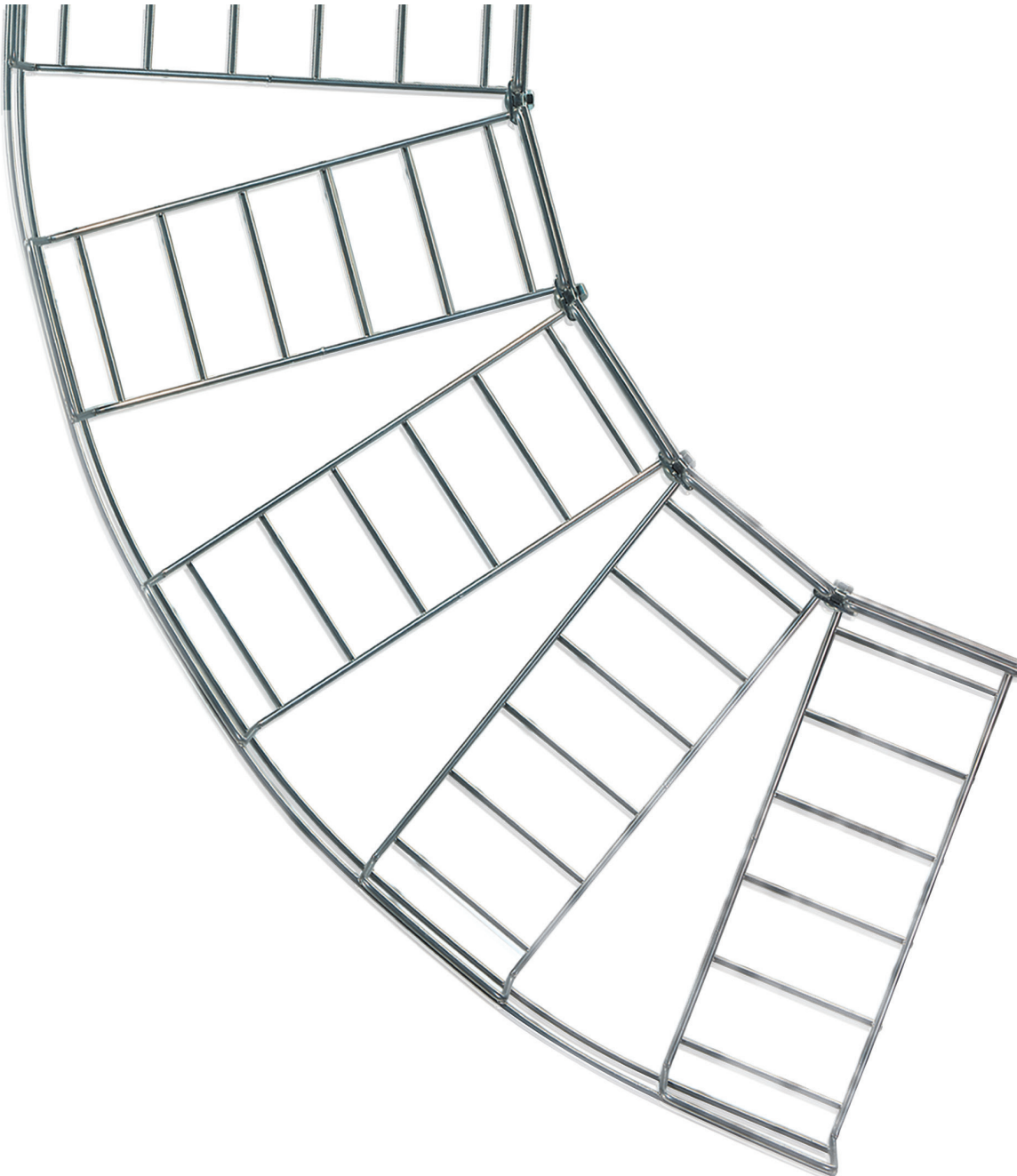
Cable ladders H 60	7/48
Cable ladders H 100	7/56
Cable ladders H 130	7/64
Closed/punched base cable trays H 60	7/72
Closed/punched base cable trays H 100	7/80
Closed/punched base cable trays H 130	7/88

# Industrial cable tray

## Steel wire cable tray

### Technical details

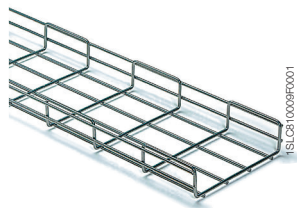
- mechanical protection against impacts I<sub>k</sub> 10 (up to 20 J)
- classified in "D" class as for the drilling index >30% and in "Z" class as for free base index >90%, in compliance with EN 61537 Standard
- available in three different heights and with resistant finish:
  - **painted galvanization (mica-colors grey)**
  - hot dip galvanization after fabrication
- the universal joint guarantees electrical continuity even in the painted sendzimir finish
- painted with thermosetting, epoxy-polyester powder; average thickness 60 micron
- cable trays can be equipped with couplers, corners, shelves and other products of the ABB metal trunking range
- applications: industrial, commercial, and marine



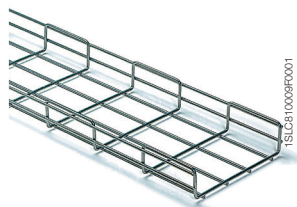
1SLC00024RX001

See assembly instructions on pages 9/4 - 9/15





Article	Description	Finish	Unit/pack-metres
<b>Steel wire cable trays H 35 mm</b>			
1SL9816A00	Straight element B 75 x H 35 x L 3000 mm	V	24
1SL9817A00	Straight element B 100 x H 35 x L 3000 mm	V	24
1SL9818A00	Straight element B 150 x H 35 x L 3000 mm	V	24
1SL9819A00	Straight element B 200 x H 35 x L 3000 mm	V	12
1SL9820A00	Straight element B 300 x H 35 x L 3000 mm	V	12
1SL9822A00	Straight element B 75 x H 35 x L 3000 mm	GAC	24
1SL9823A00	Straight element B 100 x H 35 x L 3000 mm	GAC	24
1SL9824A00	Straight element B 150 x H 35 x L 3000 mm	GAC	24
1SL9825A00	Straight element B 200 x H 35 x L 3000 mm	GAC	12
1SL9826A00	Straight element B 300 x H 35 x L 3000 mm	GAC	12



Article	Description	Finish	Unit/pack-metres
<b>Steel wire cable trays H 50 mm</b>			
1SL9836A00	Straight element B 75 x H 50 x L 3000 mm	V	24
1SL9837A00	Straight element B 100 x H 50 x L 3000 mm	V	24
1SL9838A00	Straight element B 150 x H 50 x L 3000 mm	V	24
1SL9839A00	Straight element B 200 x H 50 x L 3000 mm	V	12
1SL9840A00	Straight element B 300 x H 50 x L 3000 mm	V	12
1SL9841A00	Straight element B 400 x H 50 x L 3000 mm	V	6
1SL9842A00	Straight element B 500 x H 50 x L 3000 mm	V	6
1SL9844A00	Straight element B 75 x H 50 x L 3000 mm	GAC	24
1SL9845A00	Straight element B 100 x H 50 x L 3000 mm	GAC	24
1SL9846A00	Straight element B 150 x H 50 x L 3000 mm	GAC	24
1SL9847A00	Straight element B 200 x H 50 x L 3000 mm	GAC	12
1SL9848A00	Straight element B 300 x H 50 x L 3000 mm	GAC	12
1SL9849A00	Straight element B 400 x H 50 x L 3000 mm	GAC	6
1SL9850A00	Straight element B 500 x H 50 x L 3000 mm	GAC	6

V = painted  
GAC = hot dip Galvanized after fabrication

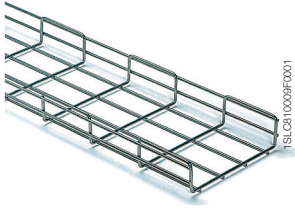
# Industrial cable tray

## Steel wire cable tray



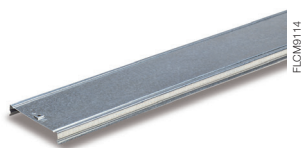
Article	Description	Finish	Unit/pack-metres
<b>Steel wire cable trays H 75 mm</b>			
1SL9860A00	Straight element B 75 x H 75 x L 3000 mm	V	24
1SL9861A00	Straight element B 100 x H 75 x L 3000 mm	V	24
1SL9862A00	Straight element B 150 x H 75 x L 3000 mm	V	12
1SL9863A00	Straight element B 200 x H 75 x L 3000 mm	V	12
1SL9864A00	Straight element B 300 x H 75 x L 3000 mm	V	6
1SL9865A00	Straight element B 400 x H 75 x L 3000 mm	V	6
1SL9866A00	Straight element B 500 x H 75 x L 3000 mm	V	6
1SL9868A00	Straight element B 75 x H 75 x L 3000 mm	GAC	24
1SL9869A00	Straight element B 100 x H 75 x L 3000 mm	GAC	24
1SL9870A00	Straight element B 150 x H 75 x L 3000 mm	GAC	12
1SL9871A00	Straight element B 200 x H 75 x L 3000 mm	GAC	12
1SL9872A00	Straight element B 300 x H 75 x L 3000 mm	GAC	6
1SL9873A00	Straight element B 400 x H 75 x L 3000 mm	GAC	6
1SL9874A00	Straight element B 500 x H 75 x L 3000 mm	GAC	6

7



Article	Description	Finish	Unit/pack-metres
<b>Steel wire cable trays H 100 mm</b>			
1SL9917A00	Straight element B 100 x H 100 x L 3000 mm	V	24
1SL9918A00	Straight element B 150 x H 100 x L 3000 mm	V	24
1SL9919A00	Straight element B 200 x H 100 x L 3000 mm	V	24
1SL9920A00	Straight element B 300 x H 100 x L 3000 mm	V	12
1SL9921A00	Straight element B 400 x H 100 x L 3000 mm	V	12
1SL9922A00	Straight element B 500 x H 100 x L 3000 mm	V	6
1SL9923A00	Straight element B 100 x H 100 x L 3000 mm	GAC	24
1SL9924A00	Straight element B 150 x H 100 x L 3000 mm	GAC	24
1SL9925A00	Straight element B 200 x H 100 x L 3000 mm	GAC	12
1SL9926A00	Straight element B 300 x H 100 x L 3000 mm	GAC	12
1SL9927A00	Straight element B 400 x H 100 x L 3000 mm	GAC	6
1SL9928A00	Straight element B 500 x H 100 x L 3000 mm	GAC	6

V = painted  
GAC = hot dip Galvanized after fabrication



Article	Description	Finish	Unit/pack-metres
<b>Covers</b>			
07 241	Straight cover B 75 x L 3000 mm	Z	48
07 242	Straight cover B 100 x L 3000 mm	Z	48
07 243	Straight cover B 150 x L 3000 mm	Z	48
07 244	Straight cover B 200 x L 3000 mm	Z	36
07 245	Straight cover B 300 x L 3000 mm	Z	36
07 246	Straight cover B 400 x L 3000 mm	Z	30
07 247	Straight cover B 500 x L 3000 mm	Z	24



Article	Description	Finish	Unit/pack-metres
<b>Straight dividers</b>			
1SL9904A00	Divider L 2000 mm for cable trays H 35 mm	Z	20
06 652	Divider L 2000 mm for cable trays H 50 mm	Z	20
07 855	Divider L 2000 mm for cable trays H 75 mm	Z	20
M078550002	Divider L 2000 mm for cable trays H 100 mm	Z	20
1SL9876A00	Divider L 2000 mm for cable trays H 35 mm	GAC	20
1SL9877A00	Divider L 2000 mm for cable trays H 50 mm	GAC	20
1SL9878A00	Divider L 2000 mm for cable trays H 75 mm	GAC	20
1SL9878A01	Divider L 2000 mm for cable trays H 100 mm	GAC	20

Z = sendzimir  
GAC = hot dip Galvanized after fabrication

# Industrial cable tray

## Steel wire cable tray



1SL9879A00



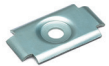
1SL9880A00



1SL9881A00



1SL9882A00



1SL9883A00



1SL9884A00



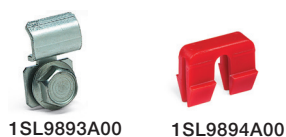
1SL9888A00



1SL9888A00 -1SL9889A00

Article	Description	Finish	Unit/pack-pieces
<b>Joints</b>			
1SL9879A00	Universal joint with screws	EZ	10
1SL9880A00	Straight joint	Z	2
1SL9881A00	Joint for curves with screws	Z	2
1SL9882A00	"T" joint for cable trays B 75 mm	Z	2
1SL9883A00	Suspension plate	Z	2
1SL9884A00	Connection plate with screws	EZ	10
1SL9888A00	Adapter joint H 50 mm for coupler with sendzimir ducts H 50 mm with screws	Z	2
1SL9889A00	Adapter joint H 75 mm for coupler with sendzimir ducts H 75 mm with screws	Z	2

Z = sendzimir  
EZ = electrogalvanization



1SL9893A00

1SL9894A00



FLCM9148d



1SLC810018F0001



1SLC810019F0001



1SLC810020F0001



1SLC810024F0001



1SLC810044F0001

Article	Description	Finish	Unit/pack-pieces
<b>Accessories for shelves</b>			
1SL9893A00	Fixing element for shelves, with screws	EZ	10
1SL9894A00	Fixing element for shelves with rapid mounting device	Plastic	10

Article	Description	Finish	Unit/pack-pieces
<b>Cross-sections for floor/wall/ceiling fixing</b>			
1SL9910A00	Cross-section L 150 mm for cable trays B 75-100 mm	Z	10
1SL9911A00	Cross-section L 200 mm for cable traye B 150 mm	Z	10
1SL9912A00	Cross-section L 250 mm for cable trays B 200 mm	Z	10
1SL9913A00	Cross-section L 350 mm for cable trays B 300 mm	Z	10
1SL9914A00	Cross-section L 450 mm for cable trays B 400 mm	Z	10
1SL9915A00	Cross-section L 550 mm for cable trays B 500 mm	Z	10
1SL9916A00	Cross-section L 650 mm	Z	10

Article	Description	Finish	Unit/pack-pieces
<b>Accessori</b>			
1SL9890A00	Sliding plate for cable exit	Z	1
1SL9891A00	Support for connection boxes	Z	1
1SL9892A00	Support for corrugated pipes	Z	1
1SL9902A00	Shears	-	1
1SL9903A00	Identification plate	Plastic	10

Z = sendzimir  
EZ = electrogalvanization

# Industrial cable tray

## Sendzimir trunking H 50

### Technical details

- degree of protection IP20 (punched) and IP40 (degree of protection refers to trunking with mounted cover)
- produced in hot dip Galvanized sendzimir steel plate EN 10147 S250GD + Z200 MAC
- standard height 50 mm
- special method used to punch the trunking totally eliminates burr, guaranteeing maximum safety for the cables and the operator

- all corners and branch connections have a wide curving angle (125 mm)
- accessories are assembled using a mechanical system that requires no welding
- a mechanical joint system guarantees electrical continuity
- industrial applications
- suspension systems: page 9/1.



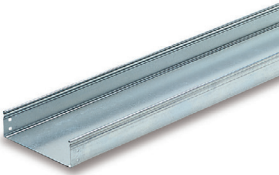
IMQ mark  
in compliance with CEI 23-31+V1 Standard



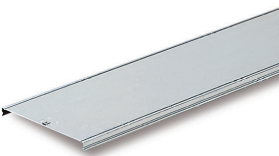
1SLC60197C001



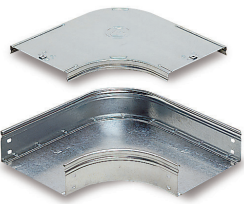
1SLC860199F0001



1SLC860199F0001



1SLC860200F0001



1SLC86201F0001

Article	Trunking base (mm)	Length (mm)	Finish	Unit/pack-metres
<b>Punched cable trunking IP20*</b>				
06 312	100	3000	Galvanized	36
06 313	150	3000	Galvanized	36
06 314	200	3000	Galvanized	18
06 315	300	3000	Galvanized	18
06 316	400	3000	Galvanized	18
06 317	500	3000	Galvanized	18
<b>Cable trunking IP40*</b>				
06 332	100	3000	Galvanized	36
06 333	150	3000	Galvanized	36
06 334	200	3000	Galvanized	18
06 335	300	3000	Galvanized	18
06 336	400	3000	Galvanized	18
06 337	500	3000	Galvanized	18
<b>Cover for cable trunking IP20 and IP40</b>				
07 242	100	3000	Galvanized	48
07 243	150	3000	Galvanized	48
07 244	200	3000	Galvanized	36
07 245	300	3000	Galvanized	36
07 246	400	3000	Galvanized	30
07 247	500	3000	Galvanized	24

\* Degree of protection refers to feeders with mounted cover

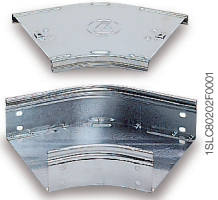
Article	For trunking base (mm)	Finish	Unit/pack-metres
<b>90° flat corner</b>			
<b>Base</b>			
06 352	100	Galvanized	8
06 353	150	Galvanized	8
06 354	200	Galvanized	4
06 355	300	Galvanized	4
06 356	400	Galvanized	2
06 357	500	Galvanized	2
<b>Cover</b>			
06 362	100	Galvanized	8
06 363	150	Galvanized	8
06 364	200	Galvanized	4
06 365	300	Galvanized	4
06 366	400	Galvanized	2
06 367	500	Galvanized	2

Except in specifically indicated cases, the accessories cover must be ordered separately. Tranne nei casi specificamente indicati, il Cover degli accessori deve essere ordinato a parte.

Overall dimensions ..... pages 10/28 - 10/33

# Industrial cable tray

## Sendzimir trunking H 50



Article	For trunking base (mm)	Finish	Unit/pack-pieces
<b>45° horizontal corner</b>			
<b>Base</b>			
06 372	100	Galvanized	8
06 373	150	Galvanized	4
06 374	200	Galvanized	4
06 375	300	Galvanized	4
06 376	400	Galvanized	2
06 377	500	Galvanized	2
<b>Cover</b>			
06 382	100	Galvanized	8
06 383	150	Galvanized	4
06 384	200	Galvanized	4
06 385	300	Galvanized	4
06 386	400	Galvanized	2
06 387	500	Galvanized	2

7



Article	For trunking base (mm)	Finish	Unit/pack-pieces
<b>Horizontal tee</b>			
<b>Base</b>			
06 392	100	Galvanized	4
06 393	150	Galvanized	4
06 394	200	Galvanized	4
06 395	300	Galvanized	2
06 396	400	Galvanized	2
06 397	500	Galvanized	2
<b>Cover</b>			
06 402	100	Galvanized	4
06 403	150	Galvanized	4
06 404	200	Galvanized	4
06 405	300	Galvanized	2
06 406	400	Galvanized	2
06 407	500	Galvanized	2

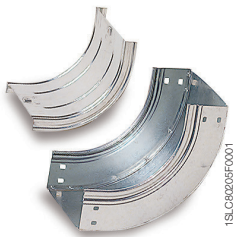
Except in specifically indicated cases, the accessories cover must be ordered separately.

Overall dimensions ..... pages 10/28 - 10/33





Article	For trunking base (mm)	Finish	Unit/pack-pieces
<b>Horizontal cross</b>			
<b>Base</b>			
06 412	100	Galvanized	4
06 413	150	Galvanized	4
06 414	200	Galvanized	2
06 415	300	Galvanized	2
06 416	400	Galvanized	2
06 417	500	Galvanized	2
<b>Cover</b>			
06 422	100	Galvanized	4
06 423	150	Galvanized	4
06 424	200	Galvanized	2
06 425	300	Galvanized	2
06 426	400	Galvanized	2
06 427	500	Galvanized	2



Article	For trunking base (mm)	Finish	Unit/pack-pieces
<b>90° vertical inside bend</b>			
<b>Base</b>			
06 462	100	Galvanized	6
06 463	150	Galvanized	4
06 464	200	Galvanized	4
06 465	300	Galvanized	2
06 466	400	Galvanized	2
06 467	500	Galvanized	2
<b>Cover</b>			
06 472	100	Galvanized	6
06 473	150	Galvanized	4
06 474	200	Galvanized	4
06 475	300	Galvanized	2
06 476	400	Galvanized	2
06 477	500	Galvanized	2

Tranne nei casi specificamente indicati, il Cover degli accessori deve essere ordinato a parte.

# Industrial cable tray

## Sendzimir trunking H 50



Article	For trunking base (mm)	Finish	Unit/pack-pieces
<b>45° vertical inside bend</b>			
<b>Base</b>			
06 482	100	Galvanized	6
06 483	150	Galvanized	4
06 484	200	Galvanized	3
06 485	300	Galvanized	2
06 486	400	Galvanized	2
06 487	500	Galvanized	2
<b>Cover</b>			
06 492	100	Galvanized	6
06 493	150	Galvanized	4
06 494	200	Galvanized	3
06 495	300	Galvanized	2
06 496	400	Galvanized	2
06 497	500	Galvanized	2

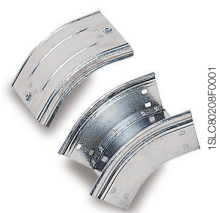
7



Article	For trunking base (mm)	Finish	Unit/pack-pieces
<b>90° vertical outside bend</b>			
<b>Base</b>			
06 502	100	Galvanized	6
06 503	150	Galvanized	4
06 504	200	Galvanized	4
06 505	300	Galvanized	2
06 506	400	Galvanized	2
06 507	500	Galvanized	2
<b>Cover</b>			
06 512	100	Galvanized	6
06 513	150	Galvanized	4
06 514	200	Galvanized	4
06 515	300	Galvanized	2
06 516	400	Galvanized	2
06 517	500	Galvanized	2

Except in specifically indicated cases, the accessories cover must be ordered separately.

Overall dimensions ..... pages 10/28 - 10/33



Article	For trunking base (mm)	Finish	Unit/pack-pieces
<b>45° vertical outside bend</b>			
<b>Base</b>			
06 522	100	Galvanized	6
06 523	150	Galvanized	4
06 524	200	Galvanized	3
06 525	300	Galvanized	2
06 526	400	Galvanized	2
06 527	500	Galvanized	2
<b>Cover</b>			
06 532	100	Galvanized	6
06 533	150	Galvanized	4
06 534	200	Galvanized	3
06 535	300	Galvanized	2
06 536	400	Galvanized	2
06 537	500	Galvanized	2



Article	For trunking base (mm)	Finish	Unit/pack-pieces
<b>End cap</b>			
06 542	100	Galvanized	4
06 543	150	Galvanized	4
06 544	200	Galvanized	4
06 545	300	Galvanized	4
06 546	400	Galvanized	4
06 547	500	Galvanized	4



Article	For trunking base (mm)	Finish	Unit/pack-pieces
<b>Left 90° vertical outside bend</b>			
Complete with cover.			
06 562	100	Galvanized	2
06 563	150	Galvanized	2
06 564	200	Galvanized	2
06 565	300	Galvanized	2
06 566	400	Galvanized	1
06 567	500	Galvanized	1

Except in specifically indicated cases, the accessories cover must be ordered separately.

# Industrial cable tray

## Sendzimir trunking H 50



TSLC90211F0001

Article	For trunking base (mm)	Finish	Unit/pack-pieces
<b>Right 90° vertical outside bend</b>			
Complete with base.			
06 572	100	Galvanized	2
06 573	150	Galvanized	2
06 574	200	Galvanized	2
06 575	300	Galvanized	2
06 576	400	Galvanized	1
06 577	500	Galvanized	1



TSLC90212F0001

Article	For trunking base (mm)	Finish	Unit/pack-pieces
<b>Vertical tee corner with level gradient</b>			
Complete with base.			
06 582	100	Galvanized	3
06 583	150	Galvanized	2
06 584	200	Galvanized	2
06 585	300	Galvanized	2
06 586	400	Galvanized	1
06 587	500	Galvanized	1



1SLC80213F0001



1SLC80213F0001



1SLC80214F0001

Article	Reduction from (mm)	Finish	Unit/pack-pieces
<b>Left reducer</b>			
06 602	50	Galvanized	4
06 603	100	Galvanized	4
06 604	150	Galvanized	4
06 605	200	Galvanized	4
<b>Right reducer</b>			
06 612	50	Galvanized	4
06 613	100	Galvanized	4
06 614	150	Galvanized	4
06 615	200	Galvanized	4

Article	For trunking base (mm)	Finish	Unit/pack-pieces
<b>Integral mechanical joint</b>			
Guarantees electric continuity. Complete with screws and nuts.			
06 632	100	Galvanized	48
06 633	150	Galvanized	36
06 634	200	Galvanized	24
06 635	300	Galvanized	24
06 636	400	Galvanized	8
06 637	500	Galvanized	8

# Industrial cable tray

## Sendzimir trunking H 50



Article	Length (mm)	Finish	Unit/pack-pieces
<b>Mechanical joint for trunking</b>			
Guarantees electric continuity. Every joint supplied with 2 plates, screws and nuts.			
06 642	180		30



Article	Length (mm)	Finish	Unit/pack-pieces
<b>Mechanical joint for accessories</b>			
Guarantees electric continuity. Every joint supplied with 2 plates, screws and nuts.			
06 643	80		30



Article	Length (mm)	Finish	Unit/pack-pieces
<b>Adjustable vertical joint</b>			
Guarantees electric continuity. Every joint supplied with 2 plates, screws and nuts.			
06 644			10



Article	Length (mm)	Finish	Unit/pack-pieces
<b>Flange for fastening to switchboard</b>			
Supplied with 2 plates, screws and nuts.			
06 646		Galvanized	25



Article	Length (mm)	Finish	Unit/pack-pieces
<b>Galvanized divider profile</b>			
06 652	2000	Galvanized	20

Overall dimensions ..... pages 10/28 - 10/33



Article	Description	Unit/pack-pieces
<b>Screw and nut</b>		
07 848	Round-headed M6x10 screw with nut	100



Article	Description	Unit/pack-pieces
<b>Earth staple</b>		
07 850	Staple complete with 2 M6x10 screws	50

# Industrial cable tray

## Sendzimir trunking H 75

### Technical details

- degree of protection IP20 (punched) and IP40( solid); using special accessories the degree of protection of the IP40 trunking can be increased to IP44 (the degree of protection refers to trunking with mounted cover)
- Colors:
  - Galvanized
  - RAL 7035 grey
  - bright blue
- fabricated in hot dip Galvanized sendzimir steel plate EN 10147 S250GD + Z200 MAC
- painted with thermosetting, epoxy-polyester powders; average thickness 70-80 micron, after fabrication in hot dip sendzimir galvanized plate
- standard height 75 mm
- special method used to punch the trunking totally eliminates burrs, guaranteeing maximum safety for the cables and the operator
- all corners and branch connections have a wide curving angle (125 mm)

- accessories are assembled using a mechanical system that requires no welding
- a mechanical joint system guarantees electrical continuity
- in the version with cover all accessories are supplied in the following Colors:
  - galvanized
  - RAL 7035 grey
  - bright blue
- accessories without cover are available in the Galvanized version
- on request galvanized trunking and accessories can be supplied varnished
- industrial application
- suspension systems: Page 9/1



IMQ mark  
in compliance with CEI 23-31+V1 Standard







1SL09222F0001

Article	Base (mm)	Length (mm)	Finish	Unit/pack-metres
<b>Galvanized metal trunking H 75 – IP40*</b>				
07 111	75	1000	Galvanized	8
07 112	100	1000	Galvanized	8
07 113	150	1000	Galvanized	8
07 114	200	1000	Galvanized	6
07 115	300	1000	Galvanized	6
07 121	75	2000	Galvanized	16
07 122	100	2000	Galvanized	16
07 123	150	2000	Galvanized	16
07 124	200	2000	Galvanized	12
07 125	300	2000	Galvanized	12
07 126	400	2000	Galvanized	12
07 127	500	2000	Galvanized	8
07 131	75	3000	Galvanized	24
07 132	100	3000	Galvanized	24
07 133	150	3000	Galvanized	24
07 134	200	3000	Galvanized	18
07 135	300	3000	Galvanized	18
07 136	400	3000	Galvanized	18
07 137	500	3000	Galvanized	12

\* Degree of protection IP40 refers to trunking with mounted cover



1SL09222F0001

Article	Base (mm)	Length (mm)	Finish	Unit/pack-metres
<b>Metal trunking painted in RAL 7035 grey H 75 – IP40*</b>				
1SL7141A00	75	1000	RAL 7035 grey	4
1SL7142A00	100	1000	RAL 7035 grey	4
1SL7143A00	150	1000	RAL 7035 grey	4
1SL7144A00	200	1000	RAL 7035 grey	2
1SL7145A00	300	1000	RAL 7035 grey	2
1SL7151A00	75	2000	RAL 7035 grey	8
1SL7152A00	100	2000	RAL 7035 grey	8
1SL7153A00	150	2000	RAL 7035 grey	8
1SL7154A00	200	2000	RAL 7035 grey	4
1SL7155A00	300	2000	RAL 7035 grey	4
1SL7161A00	75	3000	RAL 7035 grey	12
1SL7162A00	100	3000	RAL 7035 grey	12
1SL7163A00	150	3000	RAL 7035 grey	12
1SL7164A00	200	3000	RAL 7035 grey	6
1SL7165A00	300	3000	RAL 7035 grey	6

\* Degree of protection IP40 refers to trunking with mounted cover

# Industrial cable tray

## Sendzimir trunking H 75



1SLC80224F0001

Article	Base (mm)	Length (mm)	Finish	Unit/pack-metres
<b>Canali in metallo Painted sendzimir Bright blue H 75 – IP40*</b>				
08 401	75	1000	Bright blue	4
08 402	100	1000	Bright blue	4
08 403	150	1000	Bright blue	4
08 404	200	1000	Bright blue	2
08 405	300	1000	Bright blue	2
08 411	75	2000	Bright blue	8
08 412	100	2000	Bright blue	8
08 413	150	2000	Bright blue	8
08 414	200	2000	Bright blue	4
08 415	300	2000	Bright blue	4
08 421	75	3000	Bright blue	12
08 422	100	3000	Bright blue	12
08 423	150	3000	Bright blue	12
08 424	200	3000	Bright blue	6
08 425	300	3000	Bright blue	6

\* Degree of protection IP40 refers to trunking with mounted cover

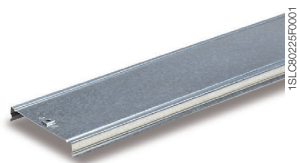
7



1SLC8031F0001

Article	Base (mm)	Length (mm)	Finish	Unit/pack-metres
<b>Canali forati in Galvanized metal H 75 – IP20*</b>				
07 171	75	2000	Galvanized	16
07 172	100	2000	Galvanized	16
07 173	150	2000	Galvanized	16
07 174	200	2000	Galvanized	12
07 175	300	2000	Galvanized	12
07 176	400	2000	Galvanized	12
07 177	500	2000	Galvanized	8
07 181	75	3000	Galvanized	24
07 182	100	3000	Galvanized	24
07 183	150	3000	Galvanized	24
07 184	200	3000	Galvanized	18
07 185	300	3000	Galvanized	18
07 186	400	3000	Galvanized	18
07 187	500	3000	Galvanized	12

\* Degree of protection IP40 refers to trunking with mounted cover



1SLC80225F0001

Article	Base (mm)	Length (mm)	Finish	Unit/pack-metres
<b>Cover Galvanized per canali IP40/IP20</b>				
07 221	75	1000	Galvanized	16
07 222	100	1000	Galvanized	16
07 223	150	1000	Galvanized	16
07 224	200	1000	Galvanized	12
07 225	300	1000	Galvanized	12
07 231	75	2000	Galvanized	32
07 232	100	2000	Galvanized	32
07 233	150	2000	Galvanized	32
07 234	200	2000	Galvanized	24
07 235	300	2000	Galvanized	24
07 236	400	2000	Galvanized	20
07 237	500	2000	Galvanized	16
07 241	75	3000	Galvanized	48
07 242	100	3000	Galvanized	48
07 243	150	3000	Galvanized	48
07 244	200	3000	Galvanized	36
07 245	300	3000	Galvanized	36
07 246	400	3000	Galvanized	30
07 247	500	3000	Galvanized	24

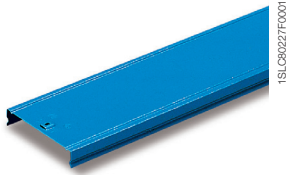


1SLC80225F0001

Article	Base (mm)	Length (mm)	Finish	Unit/pack-metres
<b>Cover Painted sendzimir RAL 7035 grey per canali IP40</b>				
1SL7261A00	75	1000	RAL 7035 grey	12
1SL7262A00	100	1000	RAL 7035 grey	12
1SL7263A00	150	1000	RAL 7035 grey	12
1SL7264A00	200	1000	RAL 7035 grey	6
1SL7265A00	300	1000	RAL 7035 grey	6
1SL7271A00	75	2000	RAL 7035 grey	24
1SL7272A00	100	2000	RAL 7035 grey	24
1SL7273A00	150	2000	RAL 7035 grey	24
1SL7274A00	200	2000	RAL 7035 grey	12
1SL7275A00	300	2000	RAL 7035 grey	12
1SL7281A00	75	3000	RAL 7035 grey	36
1SL7282A00	100	3000	RAL 7035 grey	36
1SL7283A00	150	3000	RAL 7035 grey	36
1SL7284A00	200	3000	RAL 7035 grey	18
1SL7285A00	300	3000	RAL 7035 grey	18

# Industrial cable tray

## Sendzimir trunking H 75



1S.LC8022ZF0001

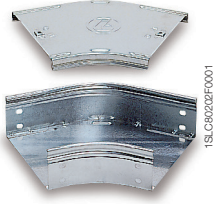
Article	Base (mm)	Length (mm)	Finish	Unit/pack-metres
<b>Metal trunking painted in bright blue H 75 – IP40*</b>				
08 431	75	1000	Bright blue	12
08 432	100	1000	Bright blue	12
08 433	150	1000	Bright blue	12
08 434	200	1000	Bright blue	6
08 435	300	1000	Bright blue	6
08 441	75	2000	Bright blue	24
08 442	100	2000	Bright blue	24
08 443	150	2000	Bright blue	24
08 444	200	2000	Bright blue	12
08 445	300	2000	Bright blue	12
08 451	75	3000	Bright blue	36
08 452	100	3000	Bright blue	36
08 453	150	3000	Bright blue	36
08 454	200	3000	Bright blue	18
08 455	300	3000	Bright blue	18

7



1S.LC80228F0001

Article	Unit/pack-pieces
<b>Plastic hinge for cover</b>	
07 854	20



Article	For trunking base (mm)	Finish	Unit/pack-pieces
<b>D45° horizontal bend complete with cover</b>			
Complete with cover earth wiring accessories.			
07 311	75	Galvanized	8
07 312	100	Galvanized	8
07 313	150	Galvanized	4
07 314	200	Galvanized	4
07 315	300	Galvanized	4
07 316	400	Galvanized	2
07 317	500	Galvanized	2
1SL7321A00	75	RAL 7035 grey	8
1SL7322A00	100	RAL 7035 grey	8
1SL7323A00	150	RAL 7035 grey	4
1SL7324A00	200	RAL 7035 grey	4
1SL7325A00	300	RAL 7035 grey	4
08 501	75	Bright blue	8
08 502	100	Bright blue	8
08 503	150	Bright blue	4
08 504	200	Bright blue	4
08 505	300	Bright blue	4



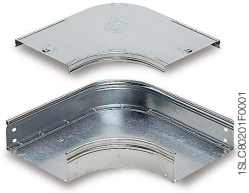
Article	For trunking base (mm)	Finish	Unit/pack-pieces
<b>45° horizontal bend without cover</b>			
17 311	75	Galvanized	8
17 312	100	Galvanized	8
17 313	150	Galvanized	4
17 314	200	Galvanized	4
17 315	300	Galvanized	4
17 316	400	Galvanized	2
17 317	500	Galvanized	2



Article	For trunking base (mm)	Finish	Unit/pack-pieces
<b>Cover for 45° horizontal bend</b>			
06 381	75	Galvanized	8
06 382	100	Galvanized	8
06 383	150	Galvanized	8
06 384	200	Galvanized	4
06 385	300	Galvanized	4
06 386	400	Galvanized	2
06 387	500	Galvanized	2

# Industrial cable tray

## Sendzimir trunking H 75



1SLC8201F0001

Article	For trunking base (mm)	Finish	Unit/pack-pieces
<b>90° horizontal bend complete with cover</b>			
Complete with cover earth wiring accessories.			
07 291	75	Galvanized	8
07 292	100	Galvanized	8
07 293	150	Galvanized	8
07 294	200	Galvanized	4
07 295	300	Galvanized	4
07 296	400	Galvanized	2
07 297	500	Galvanized	2
1SL7301A00	75	RAL 7035 grey	8
1SL7302A00	100	RAL 7035 grey	8
1SL7303A00	150	RAL 7035 grey	8
1SL7304A00	200	RAL 7035 grey	4
1SL7305A00	300	RAL 7035 grey	4
08 511	75	Bright blue	8
08 512	100	Bright blue	8
08 513	150	Bright blue	8
08 514	200	Bright blue	4
08 515	300	Bright blue	4

7



1SLC8201F0001

Article	For trunking base (mm)	Finish	Unit/pack-pieces
<b>90° horizontal bend without cover</b>			
17 291	75	Galvanized	8
17 292	100	Galvanized	8
17 293	150	Galvanized	8
17 294	200	Galvanized	4
17 295	300	Galvanized	4
17 296	400	Galvanized	2
17 297	500	Galvanized	2



1SLC8201F0001

Article	For trunking base (mm)	Finish	Unit/pack-pieces
<b>Cover for 90° horizontal bend</b>			
06 361	75	Galvanized	8
06 362	100	Galvanized	8
06 363	150	Galvanized	4
06 364	200	Galvanized	4
06 365	300	Galvanized	4
06 366	400	Galvanized	2
06 367	500	Galvanized	2



Article	For trunking base (mm)	Finish	Unit/pack-pieces
<b>Horizontal tee corner complete with cover</b>			
Complete di accessori di messa a terra Cover.			
07 351	75	Galvanized	4
07 352	100	Galvanized	4
07 353	150	Galvanized	4
07 354	200	Galvanized	4
07 355	300	Galvanized	2
07 356	400	Galvanized	2
07 357	500	Galvanized	2
1SL7361A00	75	RAL 7035 grey	4
1SL7362A00	100	RAL 7035 grey	4
1SL7363A00	150	RAL 7035 grey	4
1SL7364A00	200	RAL 7035 grey	4
1SL7365A00	300	RAL 7035 grey	2
08 521	75	Bright blue	4
08 522	100	Bright blue	4
08 523	150	Bright blue	4
08 524	200	Bright blue	4
08 525	300	Bright blue	2



Article	For trunking base (mm)	Finish	Unit/pack-pieces
<b>Horizontal tee corner without cover</b>			
17 351	75	Galvanized	4
17 352	100	Galvanized	4
17 353	150	Galvanized	4
17 354	200	Galvanized	4
17 355	300	Galvanized	2
17 356	400	Galvanized	2
17 357	500	Galvanized	2



Article	For trunking base (mm)	Finish	Unit/pack-pieces
<b>Cover for horizontal tee corner</b>			
06 401	75	Galvanized	4
06 402	100	Galvanized	4
06 403	150	Galvanized	4
06 404	200	Galvanized	4
06 405	300	Galvanized	2
06 406	400	Galvanized	2
06 407	500	Galvanized	2

# Industrial cable tray

## Sendzimir trunking H 75



Article	For trunking base (mm)	Finish	Unit/pack-pieces
<b>Horizontal tee corner with reducer and cover</b>			
Complete with cover earth wiring accessories.			
07 710	100/75	Galvanized	4
07 711	150/75	Galvanized	4
07 712	150/100	Galvanized	4
07 713	200/75	Galvanized	4
07 714	200/100	Galvanized	4
07 715	200/150	Galvanized	4
07 716	300/75	Galvanized	2
07 717	300/100	Galvanized	2
07 718	300/150	Galvanized	2
07 719	300/200	Galvanized	2
1SL7720A00	100/75	RAL 7035 grey	4
1SL7721A00	150/75	RAL 7035 grey	4
1SL7722A00	150/100	RAL 7035 grey	4
1SL7723A00	200/75	RAL 7035 grey	4
1SL7724A00	200/100	RAL 7035 grey	4
1SL7725A00	200/150	RAL 7035 grey	4
1SL7726A00	300/75	RAL 7035 grey	2
1SL7727A00	300/100	RAL 7035 grey	2
1SL7728A00	300/150	RAL 7035 grey	2
1SL7729A00	300/200	RAL 7035 grey	2
08 660	100/75	Bright blue	4
08 661	150/75	Bright blue	4
08 662	150/100	Bright blue	4
08 663	200/75	Bright blue	4
08 664	200/100	Bright blue	4
08 665	200/150	Bright blue	4
08 666	300/75	Bright blue	2
08 667	300/100	Bright blue	2
08 668	300/150	Bright blue	2
08 669	300/200	Bright blue	2





1SLC8623CF001

Article	For trunking base (mm)	Finish	Unit/pack-pieces
<b>Horizontal tee corner with reducer without cover</b>			
17 710	100/75	Galvanized	4
17 711	150/75	Galvanized	4
17 712	150/100	Galvanized	4
17 713	200/75	Galvanized	4
17 714	200/100	Galvanized	4
17 715	200/150	Galvanized	4
17 716	300/75	Galvanized	2
17 717	300/100	Galvanized	2
17 718	300/150	Galvanized	2
17 719	300/200	Galvanized	2



1SLC8623CF001

Article	For trunking base (mm)	Finish	Unit/pack-pieces
<b>Cover for horizontal tee corner with reducer</b>			
27 710	100/75	Galvanized	4
27 711	150/75	Galvanized	4
27 712	150/100	Galvanized	4
27 713	200/75	Galvanized	4
27 714	200/100	Galvanized	4
27 715	200/150	Galvanized	4
27 716	300/75	Galvanized	2
27 717	300/100	Galvanized	2
27 718	300/150	Galvanized	2
27 719	300/200	Galvanized	2

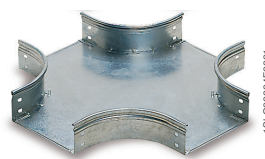
# Industrial cable tray

## Sendzimir trunking H 75



Article	For trunking base (mm)	Finish	Unit/pack-pieces
<b>Horizontal cross complete with cover</b>			
Complete with cover earth wiring accessories.			
07 371	75	Galvanized	4
07 372	100	Galvanized	4
07 373	150	Galvanized	4
07 374	200	Galvanized	2
07 375	300	Galvanized	2
07 376	400	Galvanized	2
07 377	500	Galvanized	2
1SL7381A00	75	RAL 7035 grey	4
1SL7382A00	100	RAL 7035 grey	4
1SL7383A00	150	RAL 7035 grey	4
1SL7384A00	200	RAL 7035 grey	2
1SL7385A00	300	RAL 7035 grey	2
08 531	75	Bright blue	4
08 532	100	Bright blue	4
08 533	150	Bright blue	4
08 534	200	Bright blue	2
08 535	300	Bright blue	2

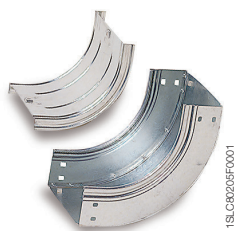
7



Article	For trunking base (mm)	Finish	Unit/pack-pieces
<b>Horizontal cross without cover</b>			
17 371	75	Galvanized	4
17 372	100	Galvanized	4
17 373	150	Galvanized	4
17 374	200	Galvanized	2
17 375	300	Galvanized	2
17 376	400	Galvanized	2
17 377	500	Galvanized	2



Article	For trunking base (mm)	Finish	Unit/pack-pieces
<b>Cover for horizontal cross</b>			
06 421	75	Galvanized	4
06 422	100	Galvanized	4
06 423	150	Galvanized	4
06 424	200	Galvanized	2
06 425	300	Galvanized	2
06 426	400	Galvanized	2
06 427	500	Galvanized	2



1SLC80205FF001

Article	For trunking base (mm)	Finish	Unit/pack-pieces
<b>90° vertical inside bend complete with cover</b>			
Complete with cover earth wiring accessories.			
07 391	75	Galvanized	8
07 392	100	Galvanized	6
07 393	150	Galvanized	4
07 394	200	Galvanized	4
07 395	300	Galvanized	2
07 396	400	Galvanized	2
07 397	500	Galvanized	2
1SL7401A00	75	RAL 7035 grey	8
1SL7402A00	100	RAL 7035 grey	6
1SL7403A00	150	RAL 7035 grey	4
1SL7404A00	200	RAL 7035 grey	4
1SL7405A00	300	RAL 7035 grey	2
08 541	75	Bright blue	8
08 542	100	Bright blue	6
08 543	150	Bright blue	4
08 544	200	Bright blue	4
08 545	300	Bright blue	2



1SLC80228FF001

Article	For trunking base (mm)	Finish	Unit/pack-pieces
<b>90° vertical inside bend without cover</b>			
17 391	75	Galvanized	8
17 392	100	Galvanized	6
17 393	150	Galvanized	4
17 394	200	Galvanized	4
17 395	300	Galvanized	2
17 396	400	Galvanized	2
17 397	500	Galvanized	2

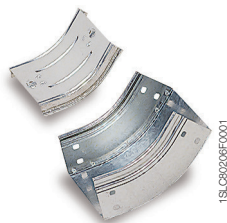


1SLC80205FF001

Article	For trunking base (mm)	Finish	Unit/pack-pieces
<b>Cover for 90° vertical inside bend</b>			
06 471	75	Galvanized	8
06 472	100	Galvanized	6
06 473	150	Galvanized	4
06 474	200	Galvanized	4
06 475	300	Galvanized	2
06 476	400	Galvanized	2
06 477	500	Galvanized	2

# Industrial cable tray

## Sendzimir trunking H 75



1SLC26023FF001

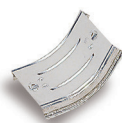
Article	For trunking base (mm)	Finish	Unit/pack-pieces
<b>45° vertical inside bend complete with cover</b>			
Complete with cover earth wiring accessories.			
07 411	75	Galvanized	8
07 412	100	Galvanized	6
07 413	150	Galvanized	4
07 414	200	Galvanized	4
07 415	300	Galvanized	2
07 416	400	Galvanized	2
07 417	500	Galvanized	2
1SL7421A00	75	RAL 7035 grey	8
1SL7422A00	100	RAL 7035 grey	6
1SL7423A00	150	RAL 7035 grey	4
1SL7424A00	200	RAL 7035 grey	4
1SL7425A00	300	RAL 7035 grey	2
08 551	75	Bright blue	8
08 552	100	Bright blue	6
08 553	150	Bright blue	4
08 554	200	Bright blue	4
08 555	300	Bright blue	2

7



1SLC26023FF001

Article	For trunking base (mm)	Finish	Unit/pack-pieces
<b>45° vertical inside bend without cover</b>			
17 411	75	Galvanized	8
17 412	100	Galvanized	6
17 413	150	Galvanized	4
17 414	200	Galvanized	4
17 415	300	Galvanized	2
17 416	400	Galvanized	2
17 417	500	Galvanized	2



1SLC26023FF001

Article	For trunking base (mm)	Finish	Unit/pack-pieces
<b>Cover for 45° vertical inside bend</b>			
06 491	75	Galvanized	8
06 492	100	Galvanized	6
06 493	150	Galvanized	4
06 494	200	Galvanized	4
06 495	300	Galvanized	2
06 496	400	Galvanized	2
06 497	500	Galvanized	2



1SLC80207F0001

Article	For trunking base (mm)	Finish	Unit/pack-pieces
<b>90° vertical outside bend complete with cover</b>			
Complete with cover earth wiring accessories.			
07 451	75	Galvanized	8
07 452	100	Galvanized	6
07 453	150	Galvanized	4
07 454	200	Galvanized	4
07 455	300	Galvanized	2
07 456	400	Galvanized	2
07 457	500	Galvanized	2
1SL7461A00	75	RAL 7035 grey	8
1SL7462A00	100	RAL 7035 grey	6
1SL7463A00	150	RAL 7035 grey	4
1SL7464A00	200	RAL 7035 grey	4
1SL7465A00	300	RAL 7035 grey	2
08 561	75	Bright blue	8
08 562	100	Bright blue	6
08 563	150	Bright blue	4
08 564	200	Bright blue	4
08 565	300	Bright blue	2



1SLC802033F0001

Article	For trunking base (mm)	Finish	Unit/pack-pieces
<b>90° vertical outside bend without cover</b>			
17 451	75	Galvanized	8
17 452	100	Galvanized	6
17 453	150	Galvanized	4
17 454	200	Galvanized	4
17 455	300	Galvanized	2
17 456	400	Galvanized	2
17 457	500	Galvanized	2



1SLC80234F0001

Article	For trunking base (mm)	Finish	Unit/pack-pieces
<b>Cover for 90° vertical outside bend</b>			
06 511	75	Galvanized	8
06 512	100	Galvanized	6
06 513	150	Galvanized	4
06 514	200	Galvanized	4
06 515	300	Galvanized	2
06 516	400	Galvanized	2
06 517	500	Galvanized	2

# Industrial cable tray

## Sendzimir trunking H 75



1SLC8228F0001

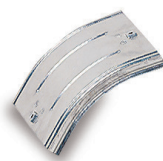
Article	For trunking base (mm)	Finish	Unit/pack-pieces
<b>45° vertical outside bend complete with cover</b>			
Complete with cover earth wiring accessories.			
07 471	75	Galvanized	8
07 472	100	Galvanized	6
07 473	150	Galvanized	4
07 474	200	Galvanized	4
07 475	300	Galvanized	2
07 476	400	Galvanized	2
07 477	500	Galvanized	2
1SL7481A00	75	RAL 7035 grey	8
1SL7482A00	100	RAL 7035 grey	6
1SL7483A00	150	RAL 7035 grey	4
1SL7484A00	200	RAL 7035 grey	4
1SL7485A00	300	RAL 7035 grey	2
08 571	75	Bright blue	8
08 572	100	Bright blue	6
08 573	150	Bright blue	4
08 574	200	Bright blue	4
08 575	300	Bright blue	2

7



1SLC8239F0001

Article	For trunking base (mm)	Finish	Unit/pack-pieces
<b>45° vertical outside bend without cover</b>			
17 471	75	Galvanized	8
17 472	100	Galvanized	6
17 473	150	Galvanized	4
17 474	200	Galvanized	4
17 475	300	Galvanized	2
17 476	400	Galvanized	2
17 477	500	Galvanized	2



1SLC8228F0001

Article	For trunking base (mm)	Finish	Unit/pack-pieces
<b>Cover for 45° vertical outside bend</b>			
06 531	75	Galvanized	8
06 532	100	Galvanized	6
06 533	150	Galvanized	4
06 534	200	Galvanized	4
06 535	300	Galvanized	2
06 536	400	Galvanized	2
06 537	500	Galvanized	2



1SLC80237F0001

Article	For trunking base (mm)	Finish	Unit/pack-pieces
<b>End cap</b>			
07 571	75	Galvanized	4
07 572	100	Galvanized	4
07 573	150	Galvanized	4
07 574	200	Galvanized	4
07 575	300	Galvanized	4
07 576	400	Galvanized	4
07 577	500	Galvanized	4
1SL7581A00	75	RAL 7035 grey	4
1SL7582A00	100	RAL 7035 grey	4
1SL7583A00	150	RAL 7035 grey	4
1SL7584A00	200	RAL 7035 grey	4
1SL7585A00	300	RAL 7035 grey	4
08 701	75	Bright blue	4
08 702	100	Bright blue	4
08 703	150	Bright blue	4
08 704	200	Bright blue	4
08 705	300	Bright blue	4



1SLC80238F0001

Article	For trunking base (mm)	Finish	Unit/pack-pieces
<b>Left 90° vertical outside bend complete with cover</b>			
Complete with cover earth wiring accessories.			
07 591	75	Galvanized	4
07 592	100	Galvanized	3
07 593	150	Galvanized	2
07 594	200	Galvanized	2
07 595	300	Galvanized	2
07 596	400	Galvanized	1
07 597	500	Galvanized	1
1SL7601A00	75	RAL 7035 grey	4
1SL7602A00	100	RAL 7035 grey	3
1SL7603A00	150	RAL 7035 grey	2
1SL7604A00	200	RAL 7035 grey	2
1SL7605A00	300	RAL 7035 grey	2
08 611	75	Bright blue	4
08 612	100	Bright blue	3
08 613	150	Bright blue	2
08 614	200	Bright blue	2
08 615	300	Bright blue	2

# Industrial cable tray

## Sendzimir trunking H 75



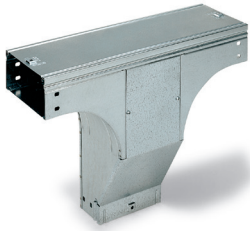
Article	For trunking base (mm)	Finish	Unit/pack-metres
<b>Right 90° vertical outside bend complete with cover</b>			
Complete with cover earth wiring accessories.			
07 611	75	Galvanized	4
07 612	100	Galvanized	3
07 613	150	Galvanized	2
07 614	200	Galvanized	2
07 615	300	Galvanized	2
07 616	400	Galvanized	1
07 617	500	Galvanized	1
1SL7621A00	75	RAL 7035 grey	4
1SL7622A00	100	RAL 7035 grey	3
1SL7623A00	150	RAL 7035 grey	2
1SL7624A00	200	RAL 7035 grey	2
1SL7625A00	300	RAL 7035 grey	2
08 621	75	Bright blue	4
08 622	100	Bright blue	3
08 623	150	Bright blue	2
08 624	200	Bright blue	2
08 625	300	Bright blue	2

7



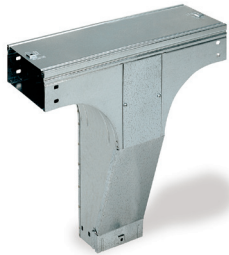
Article	For trunking base (mm)	Finish	Unit/pack-pieces
<b>Vertical tee branch connection without level gradient complete with cover</b>			
Complete with cover earth wiring accessories.			
07 651	75	Galvanized	4
07 652	100	Galvanized	3
07 653	150	Galvanized	2
07 654	200	Galvanized	2
07 655	300	Galvanized	2
07 656	400	Galvanized	1
07 657	500	Galvanized	1
1SL7661A00	75	RAL 7035 grey	4
1SL7662A00	100	RAL 7035 grey	3
1SL7663A00	150	RAL 7035 grey	2
1SL7664A00	200	RAL 7035 grey	2
1SL7665A00	300	RAL 7035 grey	2
08 631	75	Bright blue	4
08 632	100	Bright blue	3
08 633	150	Bright blue	2
08 634	200	Bright blue	2
08 635	300	Bright blue	2





1SLC6241F0001

Article	For trunking base (mm)	Finish	Unit/pack-pieces
<b>Vertical tee branch connection with level gradient complete with cover</b>			
Complete with cover earth wiring accessories.			
07 691	75	Galvanized	4
07 692	100	Galvanized	3
07 693	150	Galvanized	2
07 694	200	Galvanized	2
07 695	300	Galvanized	2
07 696	400	Galvanized	1
07 697	500	Galvanized	1
1SL7701A00	75	RAL 7035 grey	4
1SL7702A00	100	RAL 7035 grey	3
1SL7703A00	150	RAL 7035 grey	2
1SL7704A00	200	RAL 7035 grey	2
1SL7705A00	300	RAL 7035 grey	2
08 641	75	Bright blue	4
08 642	100	Bright blue	3
08 643	150	Bright blue	2
08 644	200	Bright blue	2
08 645	300	Bright blue	2

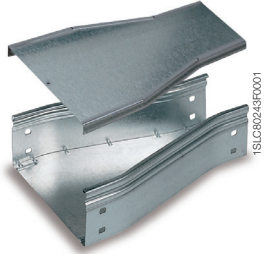


1SLC6242F0001

Article	For trunking base (mm)	Finish	Unit/pack-pieces
<b>Vertical tee branch connection with reducer and level gradient complete with cover</b>			
Complete with cover earth wiring accessories.			
07 630	100/75	Galvanized	3
07 631	150/75	Galvanized	2
07 632	150/100	Galvanized	2
07 633	200/75	Galvanized	2
07 634	200/100	Galvanized	2
07 635	200/150	Galvanized	2
07 636	300/75	Galvanized	2
07 637	300/100	Galvanized	2
07 638	300/150	Galvanized	2
07 639	300/200	Galvanized	2
1SL7640A00	100/75	RAL 7035 grey	3
1SL7641A00	150/75	RAL 7035 grey	2
1SL7642A00	150/100	RAL 7035 grey	2
1SL7643A00	200/75	RAL 7035 grey	2
1SL7644A00	200/100	RAL 7035 grey	2
1SL7645A00	200/150	RAL 7035 grey	2
1SL7646A00	300/75	RAL 7035 grey	2
1SL7647A00	300/100	RAL 7035 grey	2
1SL7648A00	300/150	RAL 7035 grey	2
1SL7649A00	300/200	RAL 7035 grey	2
08 650	100/75	Bright blue	3
08 651	150/75	Bright blue	2
08 652	150/100	Bright blue	2
08 653	200/75	Bright blue	2
08 654	200/100	Bright blue	2
08 655	200/150	Bright blue	2
08 656	300/75	Bright blue	2
08 657	300/100	Bright blue	2
08 658	300/150	Bright blue	2
08 659	300/200	Bright blue	2

# Industrial cable tray

## Sendzimir trunking H 75



1SLC80243F001

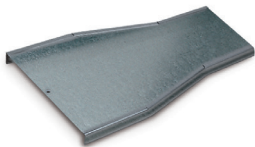
Article	For trunking base (mm)	Finish	Unit/pack-pieces
<b>Straight reducer complete with cover</b>			
Complete with cover earth wiring accessories.			
07 512	100/75	Galvanized	6
07 513	150/75	Galvanized	6
07 514	150/100	Galvanized	6
07 516	200/75	Galvanized	3
07 517	200/100	Galvanized	3
07 518	200/150	Galvanized	3
07 519	300/200	Galvanized	3
07 520	400/300	Galvanized	2
07 521	500/400	Galvanized	2
1SL7522A00	100/75	RAL 7035 grey	6
1SL7523A00	150/75	RAL 7035 grey	6
1SL7524A00	150/100	RAL 7035 grey	6
1SL7526A00	200/75	RAL 7035 grey	3
1SL7527A00	200/100	RAL 7035 grey	3
1SL7528A00	200/150	RAL 7035 grey	3
1SL7529A00	300/200	RAL 7035 grey	3
08 581	100/75	Bright blue	6
08 582	150/75	Bright blue	6
08 583	150/100	Bright blue	6
08 584	200/75	Bright blue	3
08 585	200/100	Bright blue	3
08 586	200/150	Bright blue	3
08 587	300/200	Bright blue	3

7



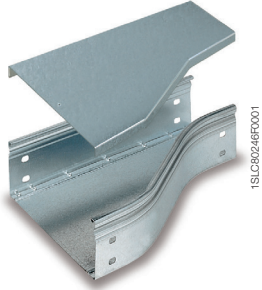
1SLC80244F001

Article	For trunking base (mm)	Finish	Unit/pack-pieces
<b>Straight reducer without cover</b>			
17 512	100/75	Galvanized	6
17 513	150/75	Galvanized	6
17 514	150/100	Galvanized	6
17 516	200/75	Galvanized	3
17 517	200/100	Galvanized	3
17 518	200/150	Galvanized	3
17 519	300/200	Galvanized	3
17 520	400/300	Galvanized	2
17 521	500/400	Galvanized	2



1SLC80245F001

Article	For trunking base (mm)	Finish	Unit/pack-pieces
<b>Cover for straight reducer</b>			
27 512	100/75	Galvanized	6
27 513	150/75	Galvanized	6
27 514	150/100	Galvanized	6
27 516	200/75	Galvanized	3
27 517	200/100	Galvanized	3
27 518	200/150	Galvanized	3
27 519	300/200	Galvanized	3
27 520	400/300	Galvanized	2
27 521	500/400	Galvanized	2



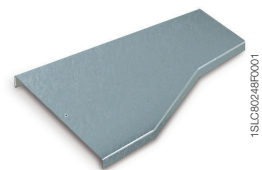
1SLC92248F0001

Article	For trunking base (mm)	Finish	Unit/pack-pieces
<b>Left reducer complete with cover</b>			
Complete with cover earth wiring accessories.			
07 532	100/75	Galvanized	6
07 533	150/75	Galvanized	6
07 534	150/100	Galvanized	6
07 536	200/75	Galvanized	3
07 537	200/100	Galvanized	3
07 538	200/150	Galvanized	3
07 539	300/200	Galvanized	3
07 540	400/300	Galvanized	2
07 541	500/400	Galvanized	2
1SL7542A00	100/75	RAL 7035 grey	6
1SL7543A00	150/75	RAL 7035 grey	6
1SL7544A00	150/100	RAL 7035 grey	6
1SL7546A00	200/75	RAL 7035 grey	3
1SL7547A00	200/100	RAL 7035 grey	3
1SL7548A00	200/150	RAL 7035 grey	3
1SL7549A00	300/200	RAL 7035 grey	3
08 591	100/75	Bright blue	6
08 592	150/75	Bright blue	6
08 593	150/100	Bright blue	6
08 594	200/75	Bright blue	3
08 595	200/100	Bright blue	3
08 596	200/150	Bright blue	3
08 597	300/200	Bright blue	3



1SLC92247F0001

Article	For trunking base (mm)	Finish	Unit/pack-pieces
<b>Left reducer without cover</b>			
17 532	100/75	Galvanized	6
17 533	150/75	Galvanized	6
17 534	150/100	Galvanized	6
17 536	200/75	Galvanized	3
17 537	200/100	Galvanized	3
17 538	200/150	Galvanized	3
17 539	300/200	Galvanized	3
17 540	400/300	Galvanized	2
17 541	500/400	Galvanized	2

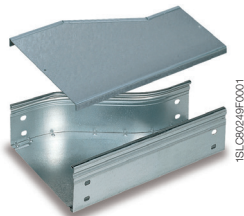


1SLC92248F0001

Article	For trunking base (mm)	Finish	Unit/pack-pieces
<b>Cover for left reducer</b>			
27 532	100/75	Galvanized	6
27 533	150/75	Galvanized	6
27 534	150/100	Galvanized	6
27 536	200/75	Galvanized	3
27 537	200/100	Galvanized	3
27 538	200/150	Galvanized	3
27 539	300/200	Galvanized	3
27 540	400/300	Galvanized	2
27 541	500/400	Galvanized	2

# Industrial cable tray

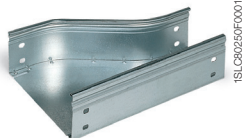
## Sendzimir trunking H 75



1SLC80249F0001

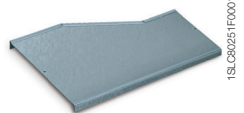
Article	For trunking base (mm)	Finish	Unit/pack-pieces
<b>Right reducer complete with cover</b>			
07 552	100/75	Galvanized	6
07 553	150/75	Galvanized	6
07 554	150/100	Galvanized	6
07 556	200/75	Galvanized	3
07 557	200/100	Galvanized	3
07 558	200/150	Galvanized	3
07 559	300/200	Galvanized	3
07 560	400/300	Galvanized	2
07 561	500/400	Galvanized	2
1SL7562A00	100/75	RAL 7035 grey	6
1SL7563A00	150/75	RAL 7035 grey	6
1SL7564A00	150/100	RAL 7035 grey	6
1SL7566A00	200/75	RAL 7035 grey	3
1SL7567A00	200/100	RAL 7035 grey	3
1SL7568A00	200/150	RAL 7035 grey	3
1SL7569A00	300/200	RAL 7035 grey	3
08 601	100/75	Bright blue	6
08 602	150/75	Bright blue	6
08 603	150/100	Bright blue	6
08 604	200/75	Bright blue	3
08 605	200/100	Bright blue	3
08 606	200/150	Bright blue	3
08 607	300/200	Bright blue	3

7



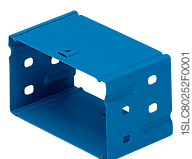
1SLC80250F0001

Article	For trunking base (mm)	Finish	Unit/pack-pieces
<b>Right reducer without cover</b>			
17 552	100/75	Galvanized	6
17 553	150/75	Galvanized	6
17 554	150/100	Galvanized	6
17 556	200/75	Galvanized	3
17 557	200/100	Galvanized	3
17 558	200/150	Galvanized	3
17 559	300/200	Galvanized	3
17 560	400/300	Galvanized	2
17 561	500/400	Galvanized	2



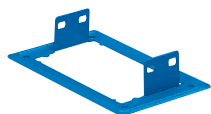
1SLC80251F0001

Article	For trunking base (mm)	Finish	Unit/pack-pieces
<b>Cover for right reducer</b>			
27 552	100/75	Galvanized	6
27 553	150/75	Galvanized	6
27 554	150/100	Galvanized	6
27 556	200/75	Galvanized	3
27 557	200/100	Galvanized	3
27 558	200/150	Galvanized	3
27 559	300/200	Galvanized	3
27 560	400/300	Galvanized	2
27 561	500/400	Galvanized	2



1SLC80253FF0001

Article	For trunking base (mm)	Finish	Unit/pack-pieces
<b>Straight inversion elements</b>			
Complete with cover earth wiring accessories.			
07 731	75	Galvanized	24
07 732	100	Galvanized	24
07 733	150	Galvanized	12
07 734	200	Galvanized	12
07 735	300	Galvanized	6
07 736	400	Galvanized	4
07 737	500	Galvanized	4
1SL7741A00	75	RAL 7035 grey	24
1SL7742A00	100	RAL 7035 grey	24
1SL7743A00	150	RAL 7035 grey	12
1SL7744A00	200	RAL 7035 grey	12
1SL7745A00	300	RAL 7035 grey	6
08 711	75	Bright blue	24
08 712	100	Bright blue	24
08 713	150	Bright blue	12
08 714	200	Bright blue	12
08 715	300	Bright blue	6



1SLC80253FF0001

Article	For trunking base (mm)	Finish	Unit/pack-pieces
<b>Coupler flange for fastening to switchboard</b>			
07 791	75	Galvanized	4
07 792	100	Galvanized	4
07 793	150	Galvanized	4
07 794	200	Galvanized	4
07 795	300	Galvanized	4
07 796	400	Galvanized	4
07 797	500	Galvanized	4
1SL7801A00	75	RAL 7035 grey	4
1SL7802A00	100	RAL 7035 grey	4
1SL7803A00	150	RAL 7035 grey	4
1SL7804A00	200	RAL 7035 grey	4
1SL7805A00	300	RAL 7035 grey	4
08 741	75	Bright blue	4
08 742	100	Bright blue	4
08 743	150	Bright blue	4
08 744	200	Bright blue	4
08 745	300	Bright blue	4

# Industrial cable tray

## Sendzimir trunking H 75



Article	For trunking base (mm)	Finish	Unit/pack-pieces
<b>Wall flange</b>			
07 811	75	Galvanized	4
07 812	100	Galvanized	4
07 813	150	Galvanized	4
07 814	200	Galvanized	4
07 815	300	Galvanized	4
07 816	400	Galvanized	4
07 817	500	Galvanized	4
1SL7821A00	75	RAL 7035 grey	4
1SL7822A00	100	RAL 7035 grey	4
1SL7823A00	150	RAL 7035 grey	4
1SL7824A00	200	RAL 7035 grey	4
1SL7825A00	300	RAL 7035 grey	4
08 751	75	Bright blue	4
08 752	100	Bright blue	4
08 753	150	Bright blue	4
08 754	200	Bright blue	4
08 755	300	Bright blue	4

7



Article	For trunking base (mm)	Finish	Unit/pack-pieces
<b>Mechanical integral joint</b>			
Guarantees electric continuity. Complete with screws and nuts. Width 80 mm.			
07 831	75	Galvanized	48
07 832	100	Galvanized	48
07 833	150	Galvanized	36
07 834	200	Galvanized	24
07 835	300	Galvanized	24
07 836	400	Galvanized	8
07 837	500	Galvanized	8

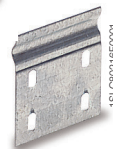


1SLC8255F0001

Article	For trunking base (mm)	Finish	Unit/pack-pieces
<b>Retainer for integral joints</b>			
Snaps onto integral joint. Width 48 mm.			
07 838	75	Galvanized	48
07 839	100	Galvanized	48
07 840	150	Galvanized	36
07 842	200	Galvanized	24
07 844	300	Galvanized	24
07 846	400	Galvanized	8
07 847	500	Galvanized	8



1SLC8216F0001



1SLC8216F0001

Article	Description	Finish	Unit/pack-pieces
<b>Mechanical joint</b>			
Guarantees electric continuity. Every joint is supplied with 2 plates complete with screws and nuts.			
07 829	width 80 mm	Galvanized	50



1SLC8255F0001

Article	Description	Finish	Unit/pack-pieces
<b>Vertical joint fixed at 90°</b>			
Every joint is supplied with 2 plates complete with screws and nuts.			
07 841		Galvanized	25



1SLC8255F0001

Article	Description	Finish	Unit/pack-pieces
<b>Vertical adjustable joint</b>			
Every joint is supplied with 2 plates complete with screws and nuts.			
07 843		Galvanized	10

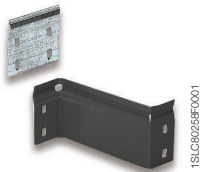
# Industrial cable tray

## Sendzimir trunking H 75



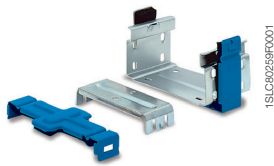
Article	For reductions of (mm)	Finish	Unit/pack-pieces
<b>Coupler for left reducer</b>			
07 750	50	Galvanized	4
07 752	100	Galvanized	4
07 753	150	Galvanized	4
07 754	200	Galvanized	4
1SL7760A00	50	RAL 7035 grey	4
1SL7762A00	100	RAL 7035 grey	4
1SL7763A00	150	RAL 7035 grey	4
1SL7764A00	200	RAL 7035 grey	4
08 721	50	Bright blue	4
08 722	100	Bright blue	4
08 723	150	Bright blue	4
08 724	200	Bright blue	4

7



Article	For reductions of (mm)	Finish	Unit/pack-pieces
<b>Coupler for right reducer</b>			
07 770	50	Galvanized	4
07 772	100	Galvanized	4
07 773	150	Galvanized	4
07 774	200	Galvanized	4
1SL7780A00	50	RAL 7035 grey	4
1SL7782A00	100	RAL 7035 grey	4
1SL7783A00	150	RAL 7035 grey	4
1SL7784A00	200	RAL 7035 grey	4
08 731	50	Bright blue	4
08 732	100	Bright blue	4
08 733	150	Bright blue	4
08 734	200	Bright blue	4





1SLC80259FX001

Article	For trunking base (mm)	Finish	Unit/pack-pieces
<b>Joint IP44</b>			
Must be used with every joint. Complete with all the elements required for mounting (see page 9/22).			
07 866	75	Galvanized	12
07 867	100	Galvanized	12
07 868	150	Galvanized	12
07 869	200	Galvanized	8
07 870	300	Galvanized	8
07 998	400	Galvanized	4
07 999	500	Galvanized	4
1SL7861A00	75	RAL 7035 grey	12
1SL7862A00	100	RAL 7035 grey	12
1SL7863A00	150	RAL 7035 grey	12
1SL7864A00	200	RAL 7035 grey	8
1SL7865A00	300	RAL 7035 grey	8
08 761	75	Bright blue	12
08 762	100	Bright blue	12
08 763	150	Bright blue	12
08 764	200	Bright blue	8
08 765	300	Bright blue	8

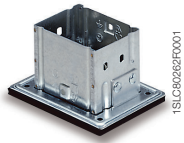


1SLC80261FC001

Article	Description	Unit/pack-pieces
<b>Clip</b>		
07 890		20
Fixed between the cover and the trunking to increase the pressure of the seal and to obtain IP44 (one clip every metre) degree of protection		

# Industrial cable tray

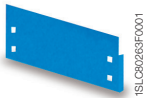
## Sendzimir trunking H 75



1SLC82283F0001

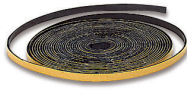
Article	For trunking base (mm)	Finish	Unit/pack-pieces
<b>Coupler flange for fastening to IP44 switchboards</b>			
07 430	75	Galvanized	24
07 431	100	Galvanized	4
07 432	150	Galvanized	4
07 433	200	Galvanized	4
07 434	300	Galvanized	4
07 435	400	Galvanized	2
07 436	500	Galvanized	2
1SL7440A00	75	RAL 7035 grey	24
1SL7441A00	100	RAL 7035 grey	24
1SL7442A00	150	RAL 7035 grey	4
1SL7443A00	200	RAL 7035 grey	4
1SL7444A00	300	RAL 7035 grey	4
08 746	75	Bright blue	24
08 747	100	Bright blue	24
08 748	150	Bright blue	12
08 749	200	Bright blue	12
08 750	300	Bright blue	6

7



1SLC82283F0001

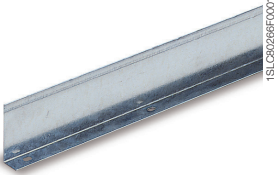
Article	For trunking base (mm)	Finish	Unit/pack-pieces
<b>End cap IP44</b>			
Complete with all elements required for mounting.			
07 886	75	Galvanized	4
07 887	100	Galvanized	4
07 889	150	Galvanized	4
07 896	200	Galvanized	4
07 897	300	Galvanized	4
07 898	400	Galvanized	4
07 899	500	Galvanized	4
1SL7881A00	75	RAL 7035 grey	4
1SL7882A00	100	RAL 7035 grey	4
1SL7883A00	150	RAL 7035 grey	4
1SL7884A00	200	RAL 7035 grey	4
1SL7885A00	300	RAL 7035 grey	4
08 781	75	Bright blue	4
08 782	100	Bright blue	4
08 783	150	Bright blue	4
08 784	200	Bright blue	4
08 785	300	Bright blue	4



1SLC82686F0001

Article	Material	Unit/pack-metres
<b>Self-adhesive seal</b>		
07 888	Neoprene	20

To attach onto the trunking cover and accessories cover (dim. 2x7 mm).



1SLC82686F0001

Article	Material	Length (mm)	Unit/pack-metres
<b>Divider</b>			
44 040	Plastic *	2000	52
07 855	Galvanized metal **	2000	20

\* Snaps on using art. 07 852

\*\* Fastens onto the base of the trunking using screws or adhesive



1SLC82687F0001

Article	Material	Unit/pack-pieces
<b>Fastening element</b>		
For plastic dividers and cable ties.		
07 852	Techno-polymer	20

Fastens onto the base of trunking or cable trays with 2 screws

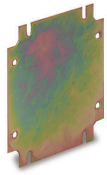
# Industrial cable tray

## Sendzimir trunking H 75



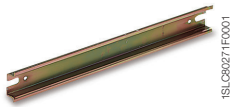
1SLC82268FC001

Article	Description	Unit/pack-pieces
<b>Branch connection coupler</b>		
Complete with seal for IP44 degree of protection.		
07 845		10
For installing consumer units or boxes to the base of trunking		



1SLC8279FC001

Article	Description	Finish	Unit/pack-pieces
<b>Inner panel</b>			
07 755	For boxes IP55	Galvanized	4
07 756	For boxes IP55	Galvanized	4
07 757	For boxes IP55	Galvanized	4
07 758	For boxes IP55	Galvanized	4



1SLC90271F0001

Article	Type	For boxes Dimensions WxHxP (mm)	Unit/pack-pieces
<b>Galvanized DIN rails for branch connection boxes</b>			
07 765	Symmetrical	200x200x120	10
07 766	Symmetrical	300x300x120	10
07 767	Symmetrical	400x400x120	10
07 768	Symmetrical	600x600x120	10
07 775	Asymmetrical	200x200x120	10
07 776	Asymmetrical	300x300x120	10
07 777	Asymmetrical	400x400x120	10
07 778	Asymmetrical	600x600x120	10



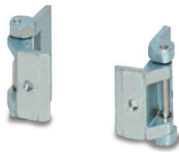
1SLC90220F0001

Article	Description	Unit/pack-pieces
<b>Screw and nut</b>		
07 848	Round-headed M6x10 screw with nut	100



1SLC90220F0001

Article	Description	Unit/pack-pieces
<b>Earth staple</b>		
07 850	Staple complete with 2 M6x10 screws	50



1SLC90272F0001

Article	Description	Unit/pack-pieces
<b>Hinges</b>		
07 779		20
To hinge the cover of branch connection boxes		



1SLC90040F0001

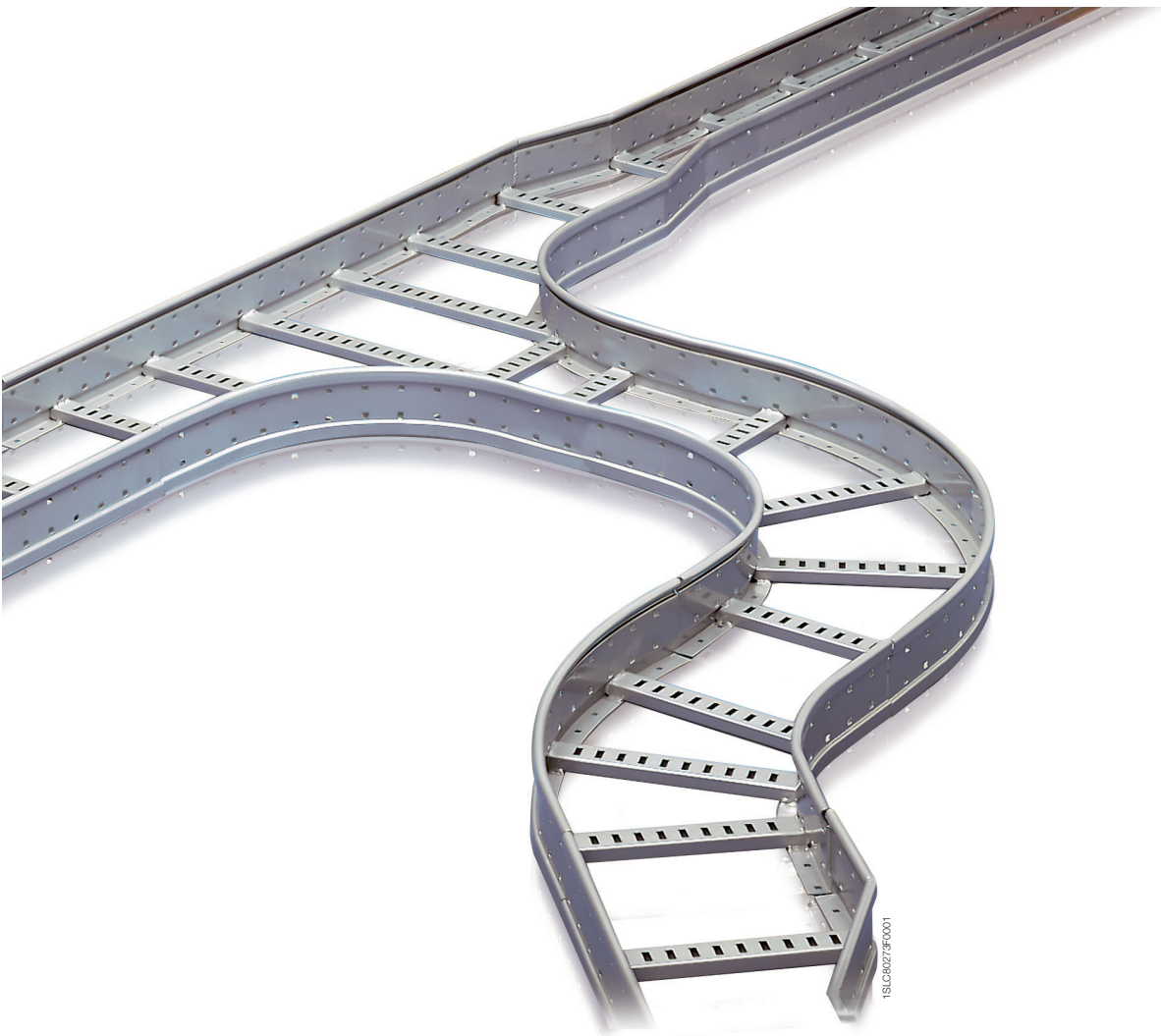
Article	Finish	Imballo (kg)
<b>Paints</b>		
1SL7856A00	RAL 7035 grey	0,5
08 799	Bright blue	0,5
06 095	RAL 9016 white	0,25

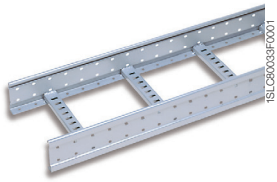
# Industrial cable tray

## Cable ladders H 60

### Technical details

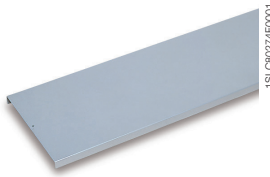
- produced in EN 10111 DD11 MAC carbon steel hot dip Galvanized after fabrication in compliance with UNI E 14.07.000.0 Standard project complying with CEI 7-6 Standard and BS 729
- standard length 3 metres
- standard height 60 mm
- standard thickness 1.5 mm and, on request, also available in 2 mm thickness
- **retainer interaxis 300 mm**
- the profile is moulded in a special way to make the cable ladder strong and resistant to bending and twisting
- all corners and branch connections have a wide curving angle (standard 300 mm)
- product manufactured on automatic CNC (Computerised Numeric Control) profiling plant; with robotic welding
- products are easy to mount, practical and safe and cables are well ventilated
- special versions of cable ladders can be supplied on request
- industrial applications





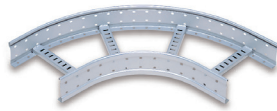
ISL080303FC001

Article	Cable ladder base (mm)	Length (mm)	Finish	Unit/pack-metres
<b>Cable ladder</b>				
09 400	100	3000	GAC	3
09 401	200	3000	GAC	3
09 402	300	3000	GAC	3
09 403	400	3000	GAC	3
09 404	500	3000	GAC	3
09 405	600	3000	GAC	3



ISL080274FR001

Article	Cable ladder base (mm)	Length (mm)	Finish	Unit/pack-metres
<b>Snap-on cover</b>				
09 430	100	1500	GAC	3
09 431	200	1500	GAC	3
09 432	300	1500	GAC	3
09 433	400	1500	GAC	3
09 434	500	1500	GAC	3
09 435	600	1500	GAC	3



ISL080275FC001

Article	Cable ladder base (mm)	Finish	Unit/pack-pieces
<b>90° horizontal corner</b>			
<b>Base</b>			
09 440	100	GAC	1
09 441	200	GAC	1
09 442	300	GAC	1
09 443	400	GAC	1
09 444	500	GAC	1
09 445	600	GAC	1



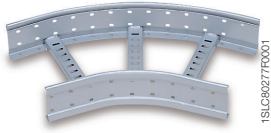
ISL080276FC001

<b>Cover</b>			
09 470	100	GAC	1
09 471	200	GAC	1
09 472	300	GAC	1
09 473	400	GAC	1
09 474	500	GAC	1
09 475	600	GAC	1

GAC = hot dip Galvanized after fabrication

# Industrial cable tray

## Cable ladders H 60

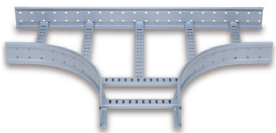


1SLC80277F0001



1SLC80278F0001

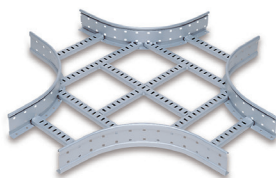
7



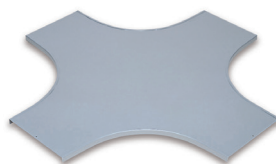
1SLC80279F0001



1SLC80280F0001



1SLC80281F0001



1SLC80282F0001

Article	Cable ladder base (mm)	Finish	Unit/pack-pieces
<b>45° horizontal corner</b>			
<b>Base</b>			
09 480	100	GAC	1
09 481	200	GAC	1
09 482	300	GAC	1
09 483	400	GAC	1
09 484	500	GAC	1
09 485	600	GAC	1
<b>Cover</b>			
09 510	100	GAC	1
09 511	200	GAC	1
09 512	300	GAC	1
09 513	400	GAC	1
09 514	500	GAC	1
09 515	600	GAC	1

Article	Cable ladder base (mm)	Finish	Unit/pack-pieces
<b>Horizontal tee</b>			
<b>Base</b>			
09 520	100	GAC	1
09 521	200	GAC	1
09 522	300	GAC	1
09 523	400	GAC	1
09 524	500	GAC	1
09 525	600	GAC	1
<b>Cover</b>			
09 550	100	GAC	1
09 551	200	GAC	1
09 552	300	GAC	1
09 553	400	GAC	1
09 554	500	GAC	1
09 555	600	GAC	1

Article	Cable ladder base (mm)	Finish	Unit/pack-pieces
<b>Horizontal cross</b>			
<b>Base</b>			
09 560	100	GAC	1
09 561	200	GAC	1
09 562	300	GAC	1
09 563	400	GAC	1
09 564	500	GAC	1
09 565	600	GAC	1
<b>Cover</b>			
09 590	100	GAC	1
09 591	200	GAC	1
09 592	300	GAC	1
09 593	400	GAC	1
09 594	500	GAC	1
09 595	600	GAC	1

GAC = hot dip Galvanized after fabrication





1SLC202835F0001

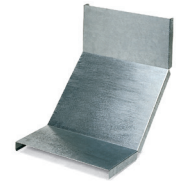
Article	Cable ladder base (mm)	Finish	Unit/pack-pieces
<b>Vertical inside and outside bend adjustable from 0° to 90°</b>			
09 600	100	GAC	1
09 601	200	GAC	1
09 602	300	GAC	1
09 603	400	GAC	1
09 604	500	GAC	1
09 605	600	GAC	1

Use straight covers for covering



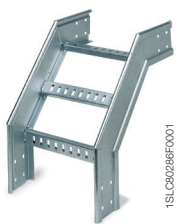
1SLC202844F0001

Article	Cable ladder base (mm)	Finish	Unit/pack-pieces
<b>90° vertical inside bend</b>			
<b>Base</b>			
09 962	100	GAC	1
09 963	200	GAC	1
09 964	300	GAC	1
09 965	400	GAC	1
09 966	500	GAC	1
09 967	600	GAC	1



1SLC202855F0001

<b>Cover</b>			
09 920	100	GAC	1
09 921	200	GAC	1
09 922	300	GAC	1
09 923	400	GAC	1
09 924	500	GAC	1
09 925	600	GAC	1



1SLC202866F0001

Article	Cable ladder base (mm)	Finish	Unit/pack-pieces
<b>90° vertical outside bend</b>			
<b>Base</b>			
09 980	100	GAC	1
09 981	200	GAC	1
09 982	300	GAC	1
09 983	400	GAC	1
09 984	500	GAC	1
09 985	600	GAC	1



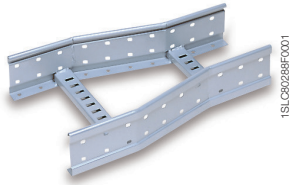
1SLC202877F0001

<b>Cover</b>			
09 941	100	GAC	1
09 942	200	GAC	1
09 943	300	GAC	1
09 944	400	GAC	1
09 945	500	GAC	1
09 946	600	GAC	1

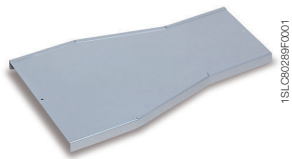
GAC = hot dip Galvanized after fabrication

# Industrial cable tray

## Cable ladders H 60



1S.LC.02.09.F0001



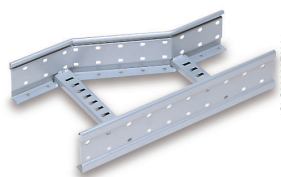
1S.LC.02.09.F0001

7

Article	Cable ladder base (mm)	Finish	Unit/pack-pieces
<b>Straight reducer</b>			
<b>Base</b>			
09 640	200/100	GAC	1
09 641	300/100	GAC	1
09 642	300/200	GAC	1
09 643	400/200	GAC	1
09 644	400/300	GAC	1
09 645	500/300	GAC	1
09 646	500/400	GAC	1
09 647	600/400	GAC	1
09 648	600/500	GAC	1
<b>Cover</b>			
09 670	200/100	GAC	1
09 671	300/100	GAC	1
09 672	300/200	GAC	1
09 673	400/200	GAC	1
09 674	400/300	GAC	1
09 675	500/300	GAC	1
09 676	500/400	GAC	1
09 677	600/400	GAC	1
09 678	600/500	GAC	1

Article	Cable ladder base (mm)	Finish	Unit/pack-pieces
<b>Left reducer</b>			
<b>Base</b>			
09 680	200/100	GAC	1
09 681	300/100	GAC	1
09 682	300/200	GAC	1
09 683	400/200	GAC	1
09 684	400/300	GAC	1
09 685	500/300	GAC	1
09 686	500/400	GAC	1
09 687	600/400	GAC	1
09 688	600/500	GAC	1
<b>Cover</b>			
09 710	200/100	GAC	1
09 711	300/100	GAC	1
09 712	300/200	GAC	1
09 713	400/200	GAC	1
09 714	400/300	GAC	1
09 715	500/300	GAC	1
09 716	500/400	GAC	1
09 717	600/400	GAC	1
09 718	600/500	GAC	1

GAC = hot dip Galvanized after fabrication



1SLCB0229F001



1SLCB0229F001

Article	Cable ladder base (mm)	Finish	Unit/pack-pieces
<b>Right reducer</b>			
<b>Base</b>			
09 720	200/100	GAC	1
09 721	300/100	GAC	1
09 722	300/200	GAC	1
09 723	400/200	GAC	1
09 724	400/300	GAC	1
09 725	500/300	GAC	1
09 726	500/400	GAC	1
09 727	600/400	GAC	1
09 728	600/500	GAC	1
<b>Cover</b>			
09 750	200/100	GAC	1
09 751	300/100	GAC	1
09 752	300/200	GAC	1
09 753	400/200	GAC	1
09 754	400/300	GAC	1
09 755	500/300	GAC	1
09 756	500/400	GAC	1
09 757	600/400	GAC	1
09 758	600/500	GAC	1

GAC = hot dip Galvanized after fabrication

# Industrial cable tray

## Cable ladders H 60



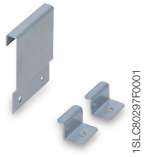
Article	Description	Finish	Unit/pack-pieces
<b>Couplers</b> Includes 2 plates complete with screws and nuts.			
09 760	Straight	GAC	1/20
09 761	Horizontal adjustable	GAC	1/20
09 762	Vertical adjustable	GAC	1/10

Article	For reductions of (mm)	Finish	Unit/pack-pieces
<b>Couplers for left and right reduction</b>			
09 800	50	GAC	1
09 801	100	GAC	1
09 802	200	GAC	1

Article	Length (mm)	Finish	Unit/pack-metres
<b>Metal divider</b>			
09 900	1500	GAC	2/10

GAC = hot dip Galvanized after fabrication





Article	Description	Finish	Unit/pack-pieces
<b>Square and cover spacer</b>			
09 903	Spacer for cover H 50 mm	GAC	1/20
09 904	Square for fastening brackets – inner	GAC	1/50
09 905	Square for fastening brackets – outer	GAC	1/50



Article	Description	Finish	Unit/pack-pieces
<b>Fastening components</b>			
07 848	Round-headed M6x10 screw with nut	GAC	100
07 818	Hexagonal-headed M8x16 screw with nut	GAC	100
07 819	Hexagonal-headed M10x20 screw with nut	GAC	100

For fastening squares and spacers and for earth connections.

Article	Length (mm)	Finish	Unit/pack-metres
<b>Earth cable</b>			
09 906	Cable with 4mm <sup>2</sup> section	GAC	20

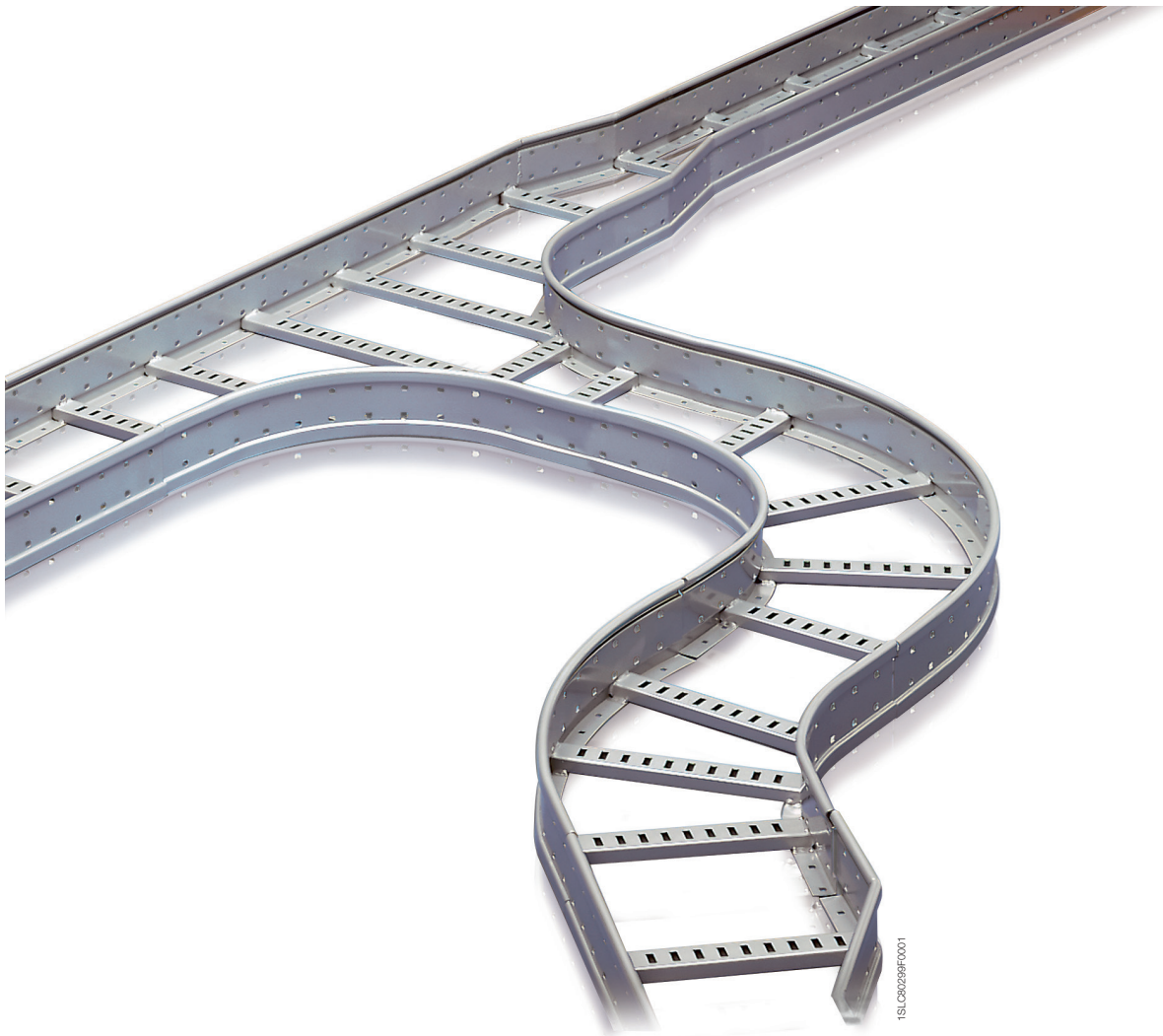
GAC = hot dip Galvanized after fabrication

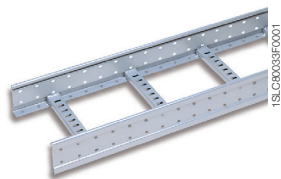
# Industrial cable tray

## Cable ladders H 100

### Technical details

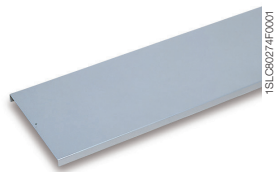
- produced in EN 10111 DD11 MAC carbon steel hot dip Galvanized after fabrication in compliance with UNI E 14.07.000.0 Standard project complying with CEI 7-6 Standard and BS 729
- standard length 3 metres
- standard height 100 mm
- standard thickness 1.5 mm and, on request, also available in 2 mm thickness
- **retainer interaxis 300 mm**
- the profile is moulded in a special way to make the cableladder strong and resistant to bending and twisting
- all corners and branch connections have a wide curving angle (standard 300 mm)
- products manufactured on automatic CNC (Computerised Numeric Control) profiling plant; with robotic welding
- products are easy to mount, practical and safe and cables are well ventilated
- special versions of cable ladders can be supplied on request
- industrial applications





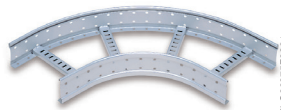
1SLC80039F0001

Article	Cable ladder base (mm)	Length (mm)	Finish	Unit/pack-metres
<b>Cable ladder</b>				
09 410	100	3000	GAC	3
09 411	200	3000	GAC	3
09 412	300	3000	GAC	3
09 413	400	3000	GAC	3
09 414	500	3000	GAC	3
09 415	600	3000	GAC	3



1SLC80274F0001

Article	Cable ladder base (mm)	Length (mm)	Finish	Unit/pack-metres
<b>Snap-on cover</b>				
09 430	100	1500	GAC	3
09 431	200	1500	GAC	3
09 432	300	1500	GAC	3
09 433	400	1500	GAC	3
09 434	500	1500	GAC	3
09 435	600	1500	GAC	3



1SLC80275F0001

Article	Cable ladder base (mm)	Finish	Unit/pack-pieces
<b>90° horizontal corner</b>			
<b>Base</b>			
09 450	100	GAC	1
09 451	200	GAC	1
09 452	300	GAC	1
09 453	400	GAC	1
09 454	500	GAC	1
09 455	600	GAC	1



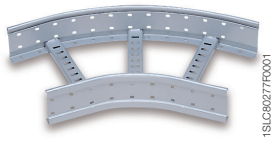
1SLC80276F0001

<b>Cover</b>			
09 470	100	GAC	1
09 471	200	GAC	1
09 472	300	GAC	1
09 473	400	GAC	1
09 474	500	GAC	1
09 475	600	GAC	1

GAC = hot dip Galvanized after fabrication

# Industrial cable tray

## Cable ladders H 100



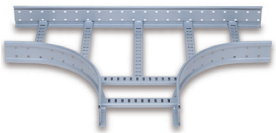
1SLC80277F0001



1SLC80278F0001

Article	Cable ladder base (mm)	Finish	Unit/pack-metres
<b>45° horizontal corner</b>			
<b>Base</b>			
09 490	100	GAC	1
09 491	200	GAC	1
09 492	300	GAC	1
09 493	400	GAC	1
09 494	500	GAC	1
09 495	600	GAC	1
<b>Cover</b>			
09 510	100	GAC	1
09 511	200	GAC	1
09 512	300	GAC	1
09 513	400	GAC	1
09 514	500	GAC	1
09 515	600	GAC	1

7

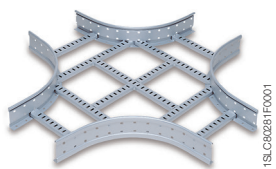


1SLC80279F0001

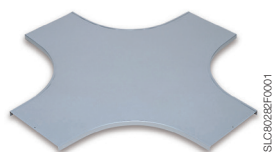


1SLC80280F0001

Article	Cable ladder base (mm)	Finish	Unit/pack-pieces
<b>Horizontal tee</b>			
<b>Base</b>			
09 530	100	GAC	1
09 531	200	GAC	1
09 532	300	GAC	1
09 533	400	GAC	1
09 534	500	GAC	1
09 535	600	GAC	1
<b>Cover</b>			
09 550	100	GAC	1
09 551	200	GAC	1
09 552	300	GAC	1
09 553	400	GAC	1
09 554	500	GAC	1
09 555	600	GAC	1



1SLC80281F0001

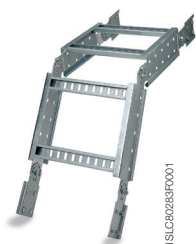


1SLC80282F0001

Article	Cable ladder base (mm)	Finish	Unit/pack-pieces
<b>Horizontal cross</b>			
<b>Base</b>			
09 570	100	GAC	1
09 571	200	GAC	1
09 572	300	GAC	1
09 573	400	GAC	1
09 574	500	GAC	1
09 575	600	GAC	1
<b>Cover</b>			
09 590	100	GAC	1
09 591	200	GAC	1
09 592	300	GAC	1
09 593	400	GAC	1
09 594	500	GAC	1
09 595	600	GAC	1

GAC = hot dip Galvanized after fabrication





1SLC090283F0001

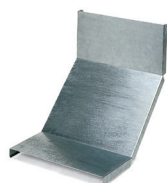
Article	Cable ladder base (mm)	Finish	Unit/pack-pieces
<b>Vertical inside and outside bend adjustable from 0° to 90°</b>			
09 610	100	GAC	1
09 611	200	GAC	1
09 612	300	GAC	1
09 613	400	GAC	1
09 614	500	GAC	1
09 615	600	GAC	1

Per la copertura usare coperchi rettilinei



1SLC090294F0001

Article	Cable ladder base (mm)	Finish	Unit/pack-pieces
<b>90° vertical inside bend</b>			
<b>Base</b>			
09 968	100	GAC	1
09 969	200	GAC	1
09 970	300	GAC	1
09 971	400	GAC	1
09 972	500	GAC	1
09 973	600	GAC	1



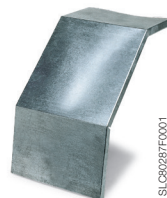
1SLC090283F0001

<b>Cover</b>			
09 927	100	GAC	1
09 928	200	GAC	1
09 929	300	GAC	1
09 930	400	GAC	1
09 931	500	GAC	1
09 932	600	GAC	1



1SLC090283F0001

Article	Cable ladder base (mm)	Finish	Unit/pack-pieces
<b>90° vertical outside bend</b>			
<b>Base</b>			
09 986	100	GAC	1
09 987	200	GAC	1
09 988	300	GAC	1
09 989	400	GAC	1
09 990	500	GAC	1
09 991	600	GAC	1



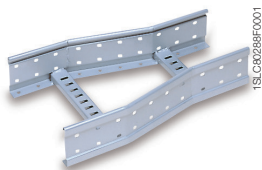
1SLC090283F0001

<b>Cover</b>			
09 948	100	GAC	1
09 949	200	GAC	1
09 950	300	GAC	1
09 951	400	GAC	1
09 952	500	GAC	1
09 953	600	GAC	1

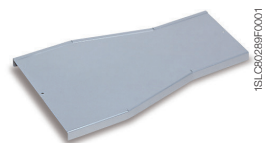
GAC = hot dip Galvanized after fabrication

# Industrial cable tray

## Cable ladders H 100



1SLC02089F0001



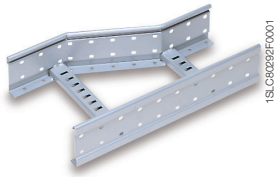
1SLC02089F0001

7

Article	Cable ladder base (mm)	Finish	Unit/pack-pieces
<b>Straight reducer</b>			
<b>Base</b>			
09 650	200/100	GAC	1
09 651	300/100	GAC	1
09 652	300/200	GAC	1
09 653	400/200	GAC	1
09 654	400/300	GAC	1
09 655	500/300	GAC	1
09 656	500/400	GAC	1
09 657	600/400	GAC	1
09 658	600/500	GAC	1
<b>Cover</b>			
09 670	200/100	GAC	1
09 671	300/100	GAC	1
09 672	300/200	GAC	1
09 673	400/200	GAC	1
09 674	400/300	GAC	1
09 675	500/300	GAC	1
09 676	500/400	GAC	1
09 677	600/400	GAC	1
09 678	600/500	GAC	1

Article	Cable ladder base (mm)	Finish	Unit/pack-pieces
<b>Left reducer</b>			
<b>Base</b>			
09 690	200/100	GAC	1
09 691	300/100	GAC	1
09 692	300/200	GAC	1
09 693	400/200	GAC	1
09 694	400/300	GAC	1
09 695	500/300	GAC	1
09 696	500/400	GAC	1
09 697	600/400	GAC	1
09 698	600/500	GAC	1
<b>Cover</b>			
09 710	200/100	GAC	1
09 711	300/100	GAC	1
09 712	300/200	GAC	1
09 713	400/200	GAC	1
09 714	400/300	GAC	1
09 715	500/300	GAC	1
09 716	500/400	GAC	1
09 717	600/400	GAC	1
09 718	600/500	GAC	1

GAC = hot dip Galvanized after fabrication



1S\_LC8022F0001



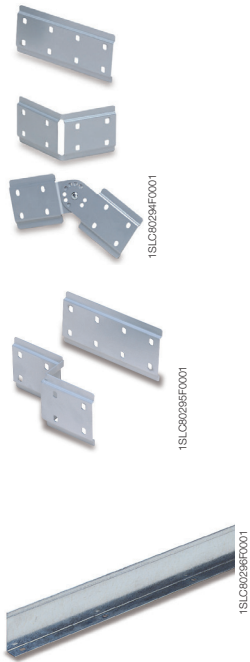
1S\_LC8023F0001

Article	Cable ladder base (mm)	Finish	Unit/pack-pieces
<b>Right reducer</b>			
<b>Base</b>			
09 730	200/100	GAC	1
09 731	300/100	GAC	1
09 732	300/200	GAC	1
09 733	400/200	GAC	1
09 734	400/300	GAC	1
09 735	500/300	GAC	1
09 736	500/400	GAC	1
09 737	600/400	GAC	1
09 738	600/500	GAC	1
<b>Cover</b>			
09 750	200/100	GAC	1
09 751	300/100	GAC	1
09 752	300/200	GAC	1
09 753	400/200	GAC	1
09 754	400/300	GAC	1
09 755	500/300	GAC	1
09 756	500/400	GAC	1
09 757	600/400	GAC	1
09 758	600/500	GAC	1

GAC = hot dip Galvanized after fabrication

# Industrial cable tray

## Cable ladders H 100



Article	Description	Finish	Unit/pack-pieces
<b>Couplers</b>			
Includes 2 plates complete with screws and nuts.			
09 763	Coupler	GAC	1/20
09 764	Horizontal adjustable coupler	GAC	1/20
09 765	Vertical adjustable coupler	GAC	1/10

Article	For reductions of (mm)	Finish	Unit/pack-pieces
<b>Couplers for left and right reduction</b>			
09 803	50	GAC	1
09 804	100	GAC	1
09 805	200	GAC	1

Article	Length (mm)	Finish	Unit/pack-metres
<b>Divider</b>			
09 901	1500	GAC	9

GAC = hot dip Galvanized after fabrication

Earth cable



1SLC829FF0001

Article	Description	Finish	Unit/pack-pieces
<b>Square and cover spacer</b>			
09 903	Spacer for cover H 50 mm	GAC	1/20
09 904	Square for fastening brackets – inner	GAC	1/50
09 905	Square for fastening brackets – outer	GAC	1/50



1SLC829FF0001

Article	Description	Finish	Unit/pack-pieces
<b>Componenti di fissaggio</b>			
07 848	Round-headed M6x10 screw with nut	GAC	100
07 818	Hexagonal-headed M8x16 screw with nut	GAC	100
07 819	Hexagonal-headed M10x20 screw with nut	GAC	100

For fastening squares and spacers and for earth connections

Article	Length (mm)	Finish	Unit/pack-metres
<b>Earth cable</b>			
09 906	Cable with 4mm <sup>2</sup> section	GAC	20

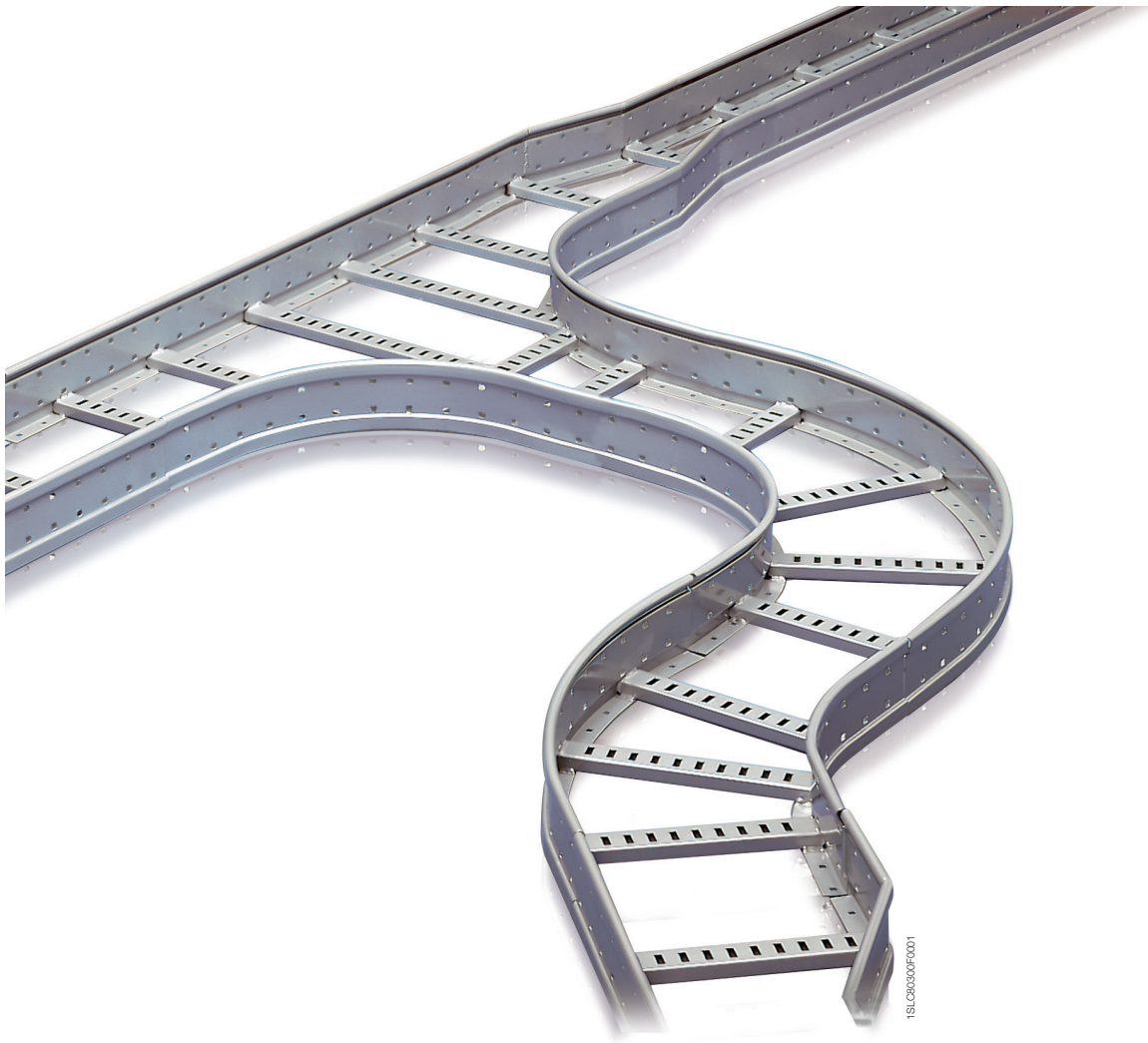
GAC = hot dip Galvanized after fabrication

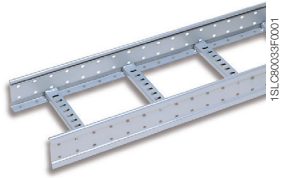
# Industrial cable tray

## Cable ladders H 130

### Technical details

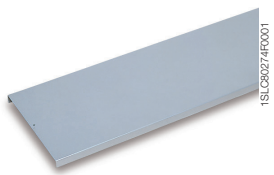
- produced in EN 10111 DD11 MAC carbon steel hot dip Galvanized after fabrication in compliance with UNI E 14.07.000.0 Standard project complying with CEI 7-6 Standard and BS 729
- standard length 3 metres
- standard height 130 mm
- standard thickness 1.5 mm and, on request, also available in 2 mm thickness
- **retainer interaxis 300 mm**
- the profile is moulded in a special way to make the cable tray strong and resistant to bending and twisting
- all corners and branch connections have a wide curving angle (standard 300 mm)
- products manufactured on automatic CNC (Computerised Numeric Control) profiling plant; with robotic welding
- products are easy to mount, practical and safe and cables are well ventilated
- special versions of cable ladders can be supplied on request
- industrial applications





1SLC80033F0001

Article	Cable ladder base (mm)	Length (mm)	Finish	Unit/pack-pieces
<b>Cable ladder</b>				
09 420	100	3000	GAC	3
09 421	200	3000	GAC	3
09 422	300	3000	GAC	3
09 423	400	3000	GAC	3
09 424	500	3000	GAC	3
09 425	600	3000	GAC	3



1SLC80274F0001

Article	Cable ladder base (mm)	Length (mm)	Finish	Unit/pack-pieces
<b>Snap-on cover</b>				
09 430	100	1500	GAC	3
09 431	200	1500	GAC	3
09 432	300	1500	GAC	3
09 433	400	1500	GAC	3
09 434	500	1500	GAC	3
09 435	600	1500	GAC	3



1SLC80275F0001

Article	Cable ladder base (mm)	Finish	Unit/pack-pieces
<b>90° horizontal corner</b>			
<b>Base</b>			
09 460	100	GAC	1
09 461	200	GAC	1
09 462	300	GAC	1
09 463	400	GAC	1
09 464	500	GAC	1
09 465	600	GAC	1



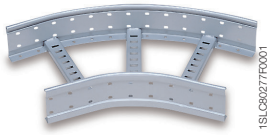
1SLC80276F0001

<b>Cover</b>			
09 470	100	GAC	1
09 471	200	GAC	1
09 472	300	GAC	1
09 473	400	GAC	1
09 474	500	GAC	1
09 475	600	GAC	1

GAC = hot dip Galvanized after fabrication

# Industrial cable tray

## Cable ladders H 130



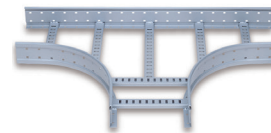
1SLC90277F0001



1SLC90278F0001

Article	Cable ladder base (mm)	Finish	Unit/pack-pieces
<b>45° horizontal corner</b>			
<b>Base</b>			
09 500	100	GAC	1
09 501	200	GAC	1
09 502	300	GAC	1
09 503	400	GAC	1
09 504	500	GAC	1
09 505	600	GAC	1
<b>Cover</b>			
09 510	100	GAC	1
09 511	200	GAC	1
09 512	300	GAC	1
09 513	400	GAC	1
09 514	500	GAC	1
09 515	600	GAC	1

7

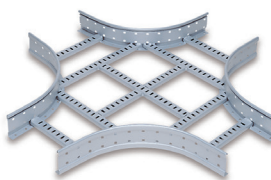


1SLC90279F0001

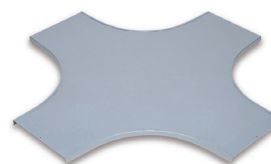


1SLC90280F0001

Article	Cable ladder base (mm)	Finish	Unit/pack-pieces
<b>Horizontal tee</b>			
<b>Base</b>			
09 540	100	GAC	1
09 541	200	GAC	1
09 542	300	GAC	1
09 543	400	GAC	1
09 544	500	GAC	1
09 545	600	GAC	1
<b>Cover</b>			
09 550	100	GAC	1
09 551	200	GAC	1
09 552	300	GAC	1
09 553	400	GAC	1
09 554	500	GAC	1
09 555	600	GAC	1



1SLC90281F0001

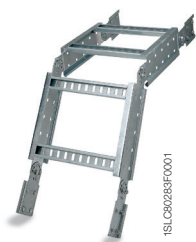


1SLC90282F0001

Article	Cable ladder base (mm)	Finish	Unit/pack-pieces
<b>Horizontal cross</b>			
<b>Base</b>			
09 580	100	GAC	1
09 581	200	GAC	1
09 582	300	GAC	1
09 583	400	GAC	1
09 584	500	GAC	1
09 585	600	GAC	1
<b>Cover</b>			
09 590	100	GAC	1
09 591	200	GAC	1
09 592	300	GAC	1
09 593	400	GAC	1
09 594	500	GAC	1
09 595	600	GAC	1

GAC = hot dip Galvanized after fabrication

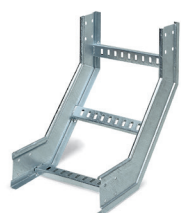




1SLC020283F0001

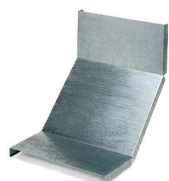
Article	Cable ladder base (mm)	Finish	Unit/pack-pieces
<b>Vertical inside and outside bend adjustable from 0° to 90°</b>			
09 620	100	GAC	1
09 621	200	GAC	1
09 622	300	GAC	1
09 623	400	GAC	1
09 624	500	GAC	1
09 625	600	GAC	1

Per la copertura usare coperchi rettilinei



1SLC020284F0001

Article	Cable ladder base (mm)	Finish	Unit/pack-pieces
<b>90° vertical inside bend</b>			
<b>Base</b>			
09 974	100	GAC	1
09 975	200	GAC	1
09 976	300	GAC	1
09 977	400	GAC	1
09 978	500	GAC	1
09 979	600	GAC	1



1SLC020285F0001

<b>Cover</b>			
09 934	100	GAC	1
09 935	200	GAC	1
09 936	300	GAC	1
09 937	400	GAC	1
09 938	500	GAC	1
09 939	600	GAC	1



1SLC020286F0001

Article	Cable ladder base (mm)	Finish	Confezione
<b>90° vertical outside bend</b>			
<b>Base</b>			
09 992	100	GAC	1
09 993	200	GAC	1
09 994	300	GAC	1
09 995	400	GAC	1
09 996	500	GAC	1
09 997	600	GAC	1



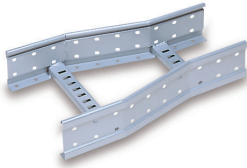
1SLC020287F0001

<b>Cover</b>			
09 955	100	GAC	1
09 956	200	GAC	1
09 957	300	GAC	1
09 958	400	GAC	1
09 959	500	GAC	1
09 960	600	GAC	1

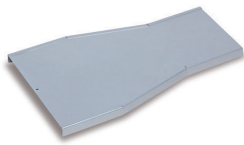
GAC = hot dip Galvanized after fabrication

# Industrial cable tray

## Cable ladders H 130



1SLC82829F0001



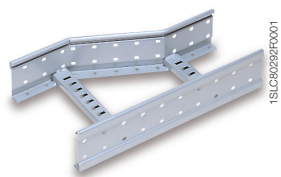
1SLC82829F0001

7

Article	Cable ladder base (mm)	Finish	Unit/pack-pieces
<b>Straight reducer</b>			
<b>Base</b>			
09 660	200/100	GAC	1
09 661	300/100	GAC	1
09 662	300/200	GAC	1
09 663	400/200	GAC	1
09 664	400/300	GAC	1
09 665	500/300	GAC	1
09 666	500/400	GAC	1
09 667	600/400	GAC	1
09 668	600/500	GAC	1
<b>Cover</b>			
09 670	200/100	GAC	1
09 671	300/100	GAC	1
09 672	300/200	GAC	1
09 673	400/200	GAC	1
09 674	400/300	GAC	1
09 675	500/300	GAC	1
09 676	500/400	GAC	1
09 677	600/400	GAC	1
09 678	600/500	GAC	1

Article	Cable ladder base (mm)	Finish	Unit/pack-pieces
<b>Left reducer</b>			
<b>Base</b>			
09 700	200/100	GAC	1
09 701	300/100	GAC	1
09 702	300/200	GAC	1
09 703	400/200	GAC	1
09 704	400/300	GAC	1
09 705	500/300	GAC	1
09 706	500/400	GAC	1
09 707	600/400	GAC	1
09 708	600/500	GAC	1
<b>Cover</b>			
09 710	200/100	GAC	1
09 711	300/100	GAC	1
09 712	300/200	GAC	1
09 713	400/200	GAC	1
09 714	400/300	GAC	1
09 715	500/300	GAC	1
09 716	500/400	GAC	1
09 717	600/400	GAC	1
09 718	600/500	GAC	1

GAC = hot dip Galvanized after fabrication



1SLC090292F001



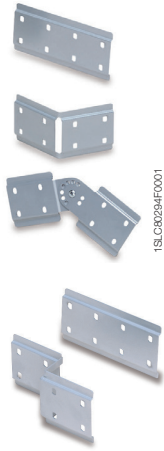
1SLC090292F001

Article	Cable ladder base (mm)	Finish	Unit/pack-pieces
<b>Right reducer</b>			
<b>Base</b>			
09 740	200/100	GAC	1
09 741	300/100	GAC	1
09 742	300/200	GAC	1
09 743	400/200	GAC	1
09 744	400/300	GAC	1
09 745	500/300	GAC	1
09 746	500/400	GAC	1
09 747	600/400	GAC	1
09 748	600/500	GAC	1
<b>Cover</b>			
09 750	200/100	GAC	1
09 751	300/100	GAC	1
09 752	300/200	GAC	1
09 753	400/200	GAC	1
09 754	400/300	GAC	1
09 755	500/300	GAC	1
09 756	500/400	GAC	1
09 757	600/400	GAC	1
09 758	600/500	GAC	1

GAC = hot dip Galvanized after fabrication

# Industrial cable tray

## Cable ladders H 130



Article	Description	Finish	Unit/pack-pieces
<b>Coupler</b> Includes 2 plates complete with screws and nuts.			
09 766	Coupler	GAC	1/20
09 767	Horizontal adjustable	GAC	1/20
09 768	Vertical adjustable	GAC	1/10

Article	For reductions of (mm)	Finish	Unit/pack-pieces
<b>Couplers for left and right reduction</b>			
09 806	50	GAC	1
09 807	100	GAC	1
09 808	200	GAC	1

Article	Length (mm)	Finish	Unit/pack-metres
<b>Divider</b>			
09 902	1500	GAC	2/10

GAC = hot dip Galvanized after fabrication





Article	Description	Finish	Unit/pack-pieces
<b>Square and cover spacer</b>			
09 903	Spacer for cover H 50 mm	GAC	1/20
09 904	Square for fastening brackets – inner	GAC	1/50
09 905	Square for fastening brackets – outer	GAC	1/50



Article	Description	Finish	Unit/pack-pieces
<b>Fastening components</b>			
07 848	Round-headed M6x10 screw with nut	GAC	100
07 818	Hexagonal-headed M8x16 screw with nut	GAC	100
07 819	Hexagonal-headed M10x20 screw with nut	GAC	100

For fastening squares and spacers and for earth connections

Article	Length (mm)	Finish	Unit/pack-metres
<b>Earth cable</b>			
09 906	Cable with 4mm <sup>2</sup> section	GAC	20

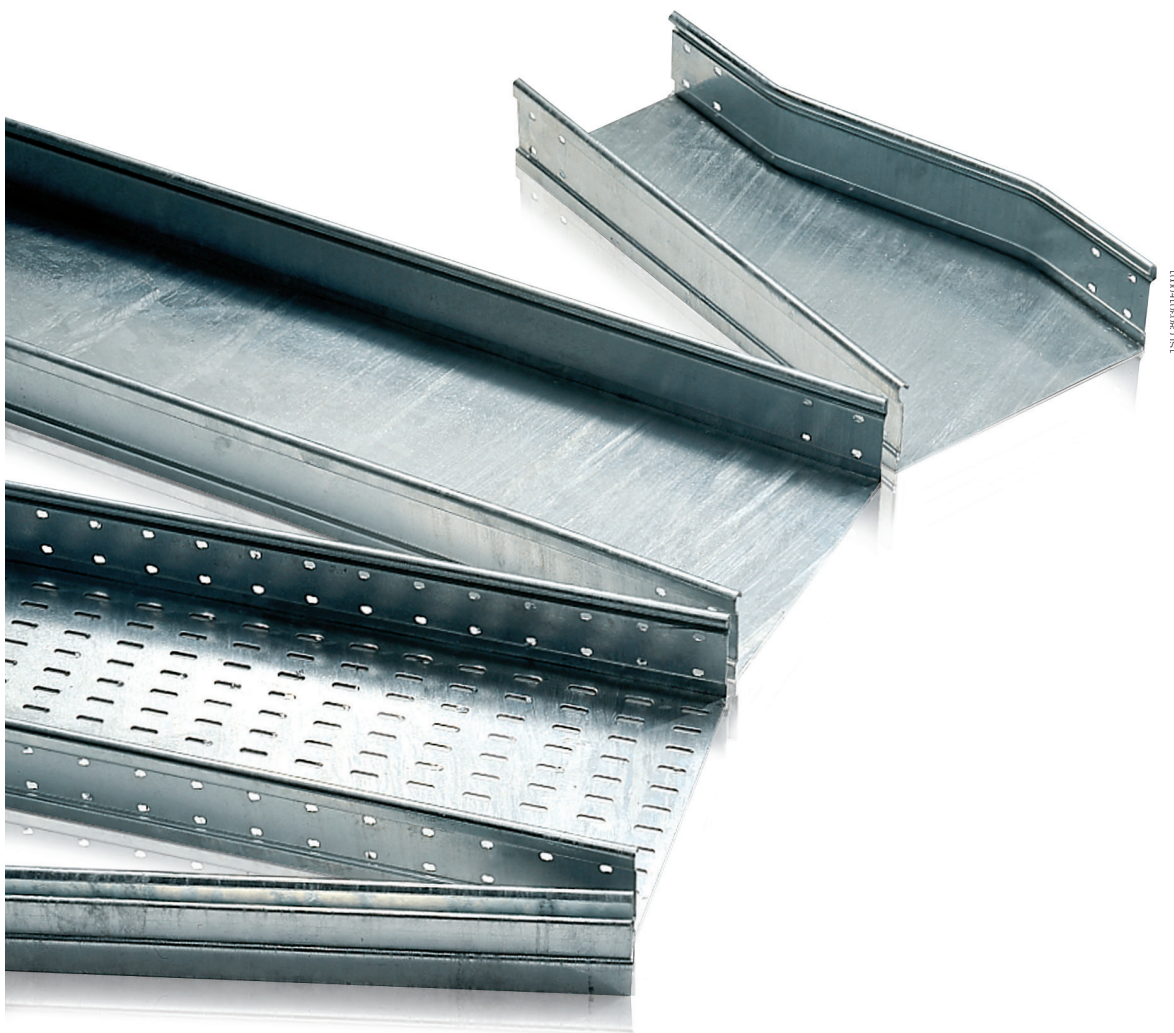
GAC = hot dip Galvanized after fabrication

# Industrial cable tray

## Closed/punched base cable trays H 60

### Technical details

- IP40 degree of protection with closed base and IP20 with punched base (the grade of protection refers to trays with mounted cover)
- produced in EN 10111 DD11 MAC carbon steel hot dip Galvanized after fabrication in compliance with UNI E 14.07.000.0 Standard project complying with CEI 7-6 Standard and BS 729
- standard length 3 metres
- standard height 60 mm
- standard thickness 1.2 mm and, on request, also available in 1.5 and 2 mm thickness
- resistance to atmospheric and chemical (water, saline solutions, acids and mineral and oil bases) agents
- considerable mechanical capacity thanks to the special moulding of the profile
- all corners and branch connections have a wide curving angle (standard 300 mm) and different curvatures are available on request
- products are easy to mount, practical and safe
- industrial applications





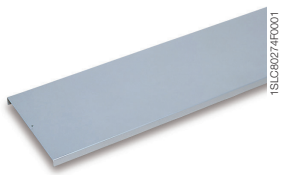
1SLC80302F0001

Article	Cable ladder base (mm)	Length (mm)	Finish	Unit/pack-metres
<b>Solid bottom cable tray</b>				
06 800	100	3000	GAC	3
06 801	200	3000	GAC	3
06 802	300	3000	GAC	3
06 803	400	3000	GAC	3
06 804	500	3000	GAC	3
06 805	600	3000	GAC	3



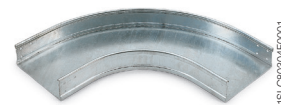
1SLC80303F0001

Article	Cable ladder base (mm)	Length (mm)	Finish	Unit/pack-metres
<b>Punched base cable tray</b>				
06 824	100	3000	GAC	3
06 825	200	3000	GAC	3
06 826	300	3000	GAC	3
06 827	400	3000	GAC	3
06 828	500	3000	GAC	3
06 829	600	3000	GAC	3



1SLC80274F0001

Article	Cable ladder base (mm)	Length (mm)	Finish	Unit/pack-metres
<b>Snap-on cover</b>				
09 430	100	1500	GAC	3
09 431	200	1500	GAC	3
09 432	300	1500	GAC	3
09 433	400	1500	GAC	3
09 434	500	1500	GAC	3
09 435	600	1500	GAC	3



1SLC80304F0001

Article	Cable ladder base (mm)	Finish	Unit/pack-pieces
<b>90° horizontal corner</b>			
<b>Base</b>			
06 850	100	GAC	1
06 851	200	GAC	1
06 852	300	GAC	1
06 853	400	GAC	1
06 854	500	GAC	1
06 855	600	GAC	1



1SLC80305F0001

<b>Cover</b>			
09 470	100	GAC	1
09 471	200	GAC	1
09 472	300	GAC	1
09 473	400	GAC	1
09 474	500	GAC	1
09 475	600	GAC	1

GAC = hot dip Galvanized after fabrication

# Industrial cable tray

## Closed/punched base cable trays H 60



1SLC80309F0001



1SLC80307F0001

Article	Cable ladder base (mm)	Finish	Unit/pack-pieces
<b>45° horizontal corner</b>			
<b>Base</b>			
06 874	100	GAC	1
06 875	200	GAC	1
06 876	300	GAC	1
06 877	400	GAC	1
06 878	500	GAC	1
06 879	600	GAC	1
<b>Cover</b>			
09 510	100	GAC	1
09 511	200	GAC	1
09 512	300	GAC	1
09 513	400	GAC	1
09 514	500	GAC	1
09 515	600	GAC	1

7

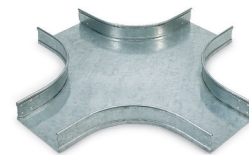


1SLC80308F0001



1SLC80306F0001

Article	Cable ladder base (mm)	Finish	Unit/pack-pieces
<b>Horizontal tee</b>			
<b>Base</b>			
06 896	100	GAC	1
06 897	200	GAC	1
06 898	300	GAC	1
06 999	400	GAC	1
07 000	500	GAC	1
07 001	600	GAC	1
<b>Cover</b>			
09 550	100	GAC	1
09 551	200	GAC	1
09 552	300	GAC	1
09 553	400	GAC	1
09 554	500	GAC	1
09 555	600	GAC	1



1SLC80310F0001



1SLC80311F0001

Article	Cable ladder base (mm)	Finish	Unit/pack-pieces
<b>Horizontal cross</b>			
<b>Base</b>			
07 021	100	GAC	1
07 022	200	GAC	1
07 023	300	GAC	1
07 024	400	GAC	1
07 025	500	GAC	1
07 026	600	GAC	1
<b>Cover</b>			
09 590	100	GAC	1
09 591	200	GAC	1
09 592	300	GAC	1
09 593	400	GAC	1
09 594	500	GAC	1
09 595	600	GAC	1

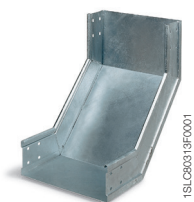
GAC = hot dip Galvanized after fabrication



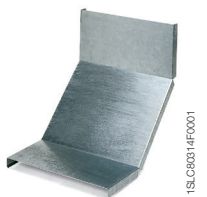


Article	Cable ladder base (mm)	Finish	Unit/pack-pieces
<b>Vertical inside and outside bend adjustable from 0° to 90°</b>			
07 046	100	GAC	1
07 047	200	GAC	1
07 048	300	GAC	1
07 049	400	GAC	1
07 050	500	GAC	1
07 051	600	GAC	1

Use straight covers for covering



Article	Cable ladder base (mm)	Finish	Unit/pack-pieces
<b>90° vertical inside bend</b>			
<b>Base</b>			
06 900	100	GAC	1
06 901	200	GAC	1
06 902	300	GAC	1
06 903	400	GAC	1
06 904	500	GAC	1
06 905	600	GAC	1



Article	Cable ladder base (mm)	Finish	Unit/pack-pieces
<b>Cover</b>			
09 920	100	GAC	1
09 921	200	GAC	1
09 922	300	GAC	1
09 923	400	GAC	1
09 924	500	GAC	1
09 925	600	GAC	1



Article	Cable ladder base (mm)	Finish	Unit/pack-pieces
<b>90° vertical outside bend</b>			
<b>Base</b>			
06 924	100	GAC	1
06 925	200	GAC	1
06 926	300	GAC	1
06 927	400	GAC	1
06 928	500	GAC	1
06 929	600	GAC	1



Article	Cable ladder base (mm)	Finish	Unit/pack-pieces
<b>Cover</b>			
09 941	100	GAC	1
09 942	200	GAC	1
09 943	300	GAC	1
09 944	400	GAC	1
09 945	500	GAC	1
09 946	600	GAC	1

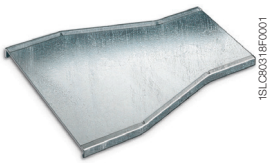
GAC = hot dip Galvanized after fabrication

# Industrial cable tray

## Closed/punched base cable trays H 60



1SLC060317F0001



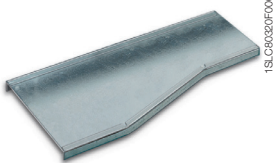
1SLC090318F0001

7

Article	Cable ladder base (mm)	Finish	Unit/pack-pieces
<b>Straight reducer</b>			
<b>Base</b>			
06 700	200/100	GAC	1
06 701	300/100	GAC	1
06 702	300/200	GAC	1
06 703	400/200	GAC	1
06 704	400/300	GAC	1
06 705	500/300	GAC	1
06 706	500/400	GAC	1
06 707	600/400	GAC	1
06 708	600/500	GAC	1
<b>Cover</b>			
09 670	200/100	GAC	1
09 671	300/100	GAC	1
09 672	300/200	GAC	1
09 673	400/200	GAC	1
09 674	400/300	GAC	1
09 675	500/300	GAC	1
09 676	500/400	GAC	1
09 677	600/400	GAC	1
09 678	600/500	GAC	1



1SLC060319F0001



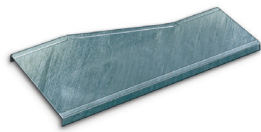
1SLC090320F0001

Article	Cable ladder base (mm)	Finish	Unit/pack-pieces
<b>Left reducer</b>			
<b>Base</b>			
06 730	200/100	GAC	1
06 731	300/100	GAC	1
06 732	300/200	GAC	1
06 733	400/200	GAC	1
06 734	400/300	GAC	1
06 735	500/300	GAC	1
06 736	500/400	GAC	1
06 737	600/400	GAC	1
06 738	600/500	GAC	1
<b>Cover</b>			
09 710	200/100	GAC	1
09 711	300/100	GAC	1
09 712	300/200	GAC	1
09 713	400/200	GAC	1
09 714	400/300	GAC	1
09 715	500/300	GAC	1
09 716	500/400	GAC	1
09 717	600/400	GAC	1
09 718	600/500	GAC	1

GAC = hot dip Galvanized after fabrication



1SLCB032/F0001



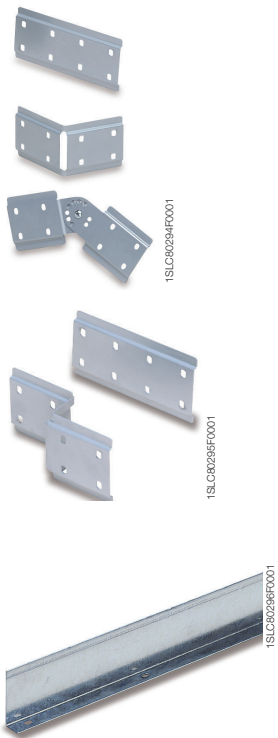
1SLCB032/F0001

Article	Cable ladder base (mm)	Finish	Unit/pack-pieces
<b>Right reducer</b>			
<b>Base</b>			
06 760	200/100	GAC	1
06 761	300/100	GAC	1
06 762	300/200	GAC	1
06 763	400/200	GAC	1
06 764	400/300	GAC	1
06 765	500/300	GAC	1
06 766	500/400	GAC	1
06 767	600/400	GAC	1
06 768	600/500	GAC	1
<b>Cover</b>			
09 750	200/100	GAC	1
09 751	300/100	GAC	1
09 752	300/200	GAC	1
09 753	400/200	GAC	1
09 754	400/300	GAC	1
09 755	500/300	GAC	1
09 756	500/400	GAC	1
09 757	600/400	GAC	1
09 758	600/500	GAC	1

GAC = hot dip Galvanized after fabrication

# Industrial cable tray

## Closed/punched base cable trays H 60



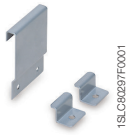
7

Article	Description	Finish	Unit/pack-pieces
<b>Coupler</b> Includes 2 plates complete with screws and nuts.			
09 760	Coupler	GAC	1/20
09 761	Horizontal adjustable joint	GAC	1/20
09 762	Vertical adjustable joint	GAC	1/10

Article	For reductions of (mm)	Finish	Unit/pack-pieces
<b>Coupler for left and right reduction</b>			
09 800	50	GAC	1
09 801	100	GAC	1
09 802	200	GAC	1

Article	Length (mm)	Finish	Unit/pack-metres
<b>Divider</b>			
09 910	1500	GAC	9

GAC = hot dip Galvanized after fabrication



1SLC0297F001



1SLC00298F001

Article	Description (mm)	Finish	Unit/pack-pieces
<b>Square and cover spacer</b>			
09 903	Spacer for cover H 50 mm	GAC	1/20
09 905	Square for fastening brackets – outer	GAC	1/50

Article	Description (mm)	Finish	Unit/pack-pieces
<b>Fastening components</b>			
07 848	Round-headed M6x10 screw with nut	GAC	100
07 818	Hexagonal-headed M8x16 screw with nut	GAC	100

Article	Description (mm)	Finish	Unit/pack-metres
<b>Earth cable</b>			
09 906	Cable with 4mm <sup>2</sup> section	GAC	20

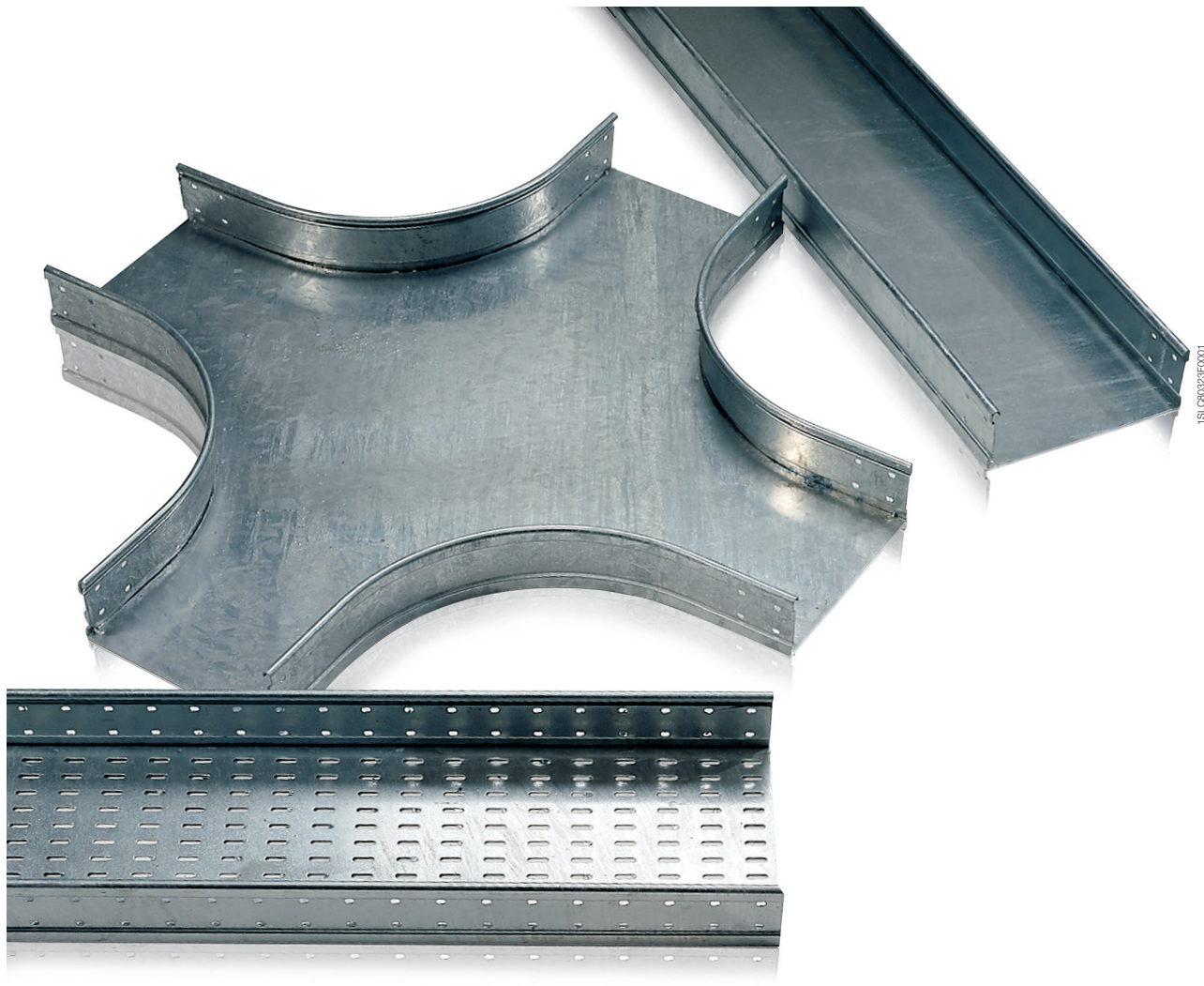
GAC = hot dip Galvanized after fabrication

# Industrial cable tray

## Closed/punched base cable trays H 100

### Technical details

- IP40 degree of protection with closed base and IP20 with punched base
- produced in EN 10111 DD11 MAC carbon steel hot dip Galvanized after fabrication in compliance with UNI E 14.07.000.0 Standard project complying with CEI 7-6 Standard and BS 729
- standard length 3 metres
- standard height 100 mm
- standard thickness 1.2 mm and, upon request, also available in 1.5 and 2 mm thickness
- resistance to atmospheric and chemical (water, saline solutions, acids and mineral and oil bases) agents
- all corners and branch connections have a wide curving angle (standard 300 mm) and variations are available on request
- products are easy to mount, practical, and safe
- industrial applications





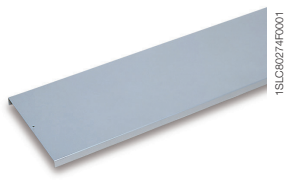
1SLC80302FF001

Article	Cable ladder base (mm)	Length (mm)	Finish	Unit/pack-metres
<b>Closed base cable tray</b>				
06 808	100	3000	GAC	3
06 809	200	3000	GAC	3
06 810	300	3000	GAC	3
06 811	400	3000	GAC	3
06 812	500	3000	GAC	3
06 813	600	3000	GAC	3



1SLC80303FF001

Article	Cable ladder base (mm)	Length (mm)	Finish	Unit/pack-metres
<b>Punched base cable tray</b>				
06 830	100	3000	GAC	3
06 831	200	3000	GAC	3
06 832	300	3000	GAC	3
06 833	400	3000	GAC	3
06 834	500	3000	GAC	3
06 835	600	3000	GAC	3



1SLC80274FF001

Article	Cable ladder base (mm)	Length (mm)	Finish	Unit/pack-metres
<b>Snap-on cover</b>				
09 430	100	1500	GAC	3
09 431	200	1500	GAC	3
09 432	300	1500	GAC	3
09 433	400	1500	GAC	3
09 434	500	1500	GAC	3
09 435	600	1500	GAC	3



1SLC80304FF001

Article	Cable ladder base (mm)	Finish	Unit/pack-pieces
<b>90° horizontal corner</b>			
<b>Base</b>			
06 858	100	GAC	1
06 859	200	GAC	1
06 860	300	GAC	1
06 861	400	GAC	1
06 862	500	GAC	1
06 863	600	GAC	1



1SLC80305FF001

<b>Cover</b>			
09 470	100	GAC	1
09 471	200	GAC	1
09 472	300	GAC	1
09 473	400	GAC	1
09 474	500	GAC	1
09 475	600	GAC	1

GAC = hot dip Galvanized after fabrication

# Industrial cable tray

## Closed/punched base cable trays H 100



1SLC80609F0001



1SLC80307F0001

Article	Cable ladder base (mm)	Finish	Unit/pack-pieces
<b>45° horizontal corner</b>			
<b>Base</b>			
06 882	100	GAC	1
06 883	200	GAC	1
06 884	300	GAC	1
06 885	400	GAC	1
06 886	500	GAC	1
06 887	600	GAC	1
<b>Cover</b>			
09 510	100	GAC	1
09 511	200	GAC	1
09 512	300	GAC	1
09 513	400	GAC	1
09 514	500	GAC	1
09 515	600	GAC	1

7

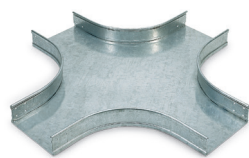


1SLC80308F0001



1SLC80309F0001

Article	Cable ladder base (mm)	Finish	Unit/pack-pieces
<b>Horizontal tee</b>			
<b>Base</b>			
07 005	100	GAC	1
07 006	200	GAC	1
07 007	300	GAC	1
07 008	400	GAC	1
07 009	500	GAC	1
07 010	600	GAC	1
<b>Cover</b>			
09 550	100	GAC	1
09 551	200	GAC	1
09 552	300	GAC	1
09 553	400	GAC	1
09 554	500	GAC	1
09 555	600	GAC	1



1SLC80310F0001



1SLC80311F0001

Article	Cable ladder base (mm)	Finish	Unit/pack-pieces
<b>Horizontal cross</b>			
<b>Base</b>			
07 030	100	GAC	1
07 031	200	GAC	1
07 032	300	GAC	1
07 033	400	GAC	1
07 034	500	GAC	1
07 035	600	GAC	1
<b>Cover</b>			
09 590	100	GAC	1
09 591	200	GAC	1
09 592	300	GAC	1
09 593	400	GAC	1
09 594	500	GAC	1
09 595	600	GAC	1

GAC = hot dip Galvanized after fabrication

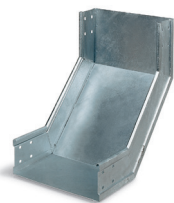




1SLC90312F0001

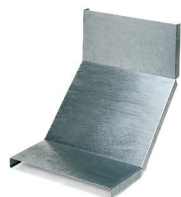
Article	Cable ladder base (mm)	Finish	Confezione
<b>Vertical inside and outside bend adjustable from 0° to 90°</b>			
07 055	100	GAC	1
07 056	200	GAC	1
07 057	300	GAC	1
07 058	400	GAC	1
07 059	500	GAC	1
07 060	600	GAC	1

Use straight covers for covering



1SLC90313F0001

Article	Cable ladder base (mm)	Finish	Confezione
<b>90° vertical inside bend</b>			
<b>Base</b>			
06 908	100	GAC	1
06 909	200	GAC	1
06 910	300	GAC	1
06 911	400	GAC	1
06 912	500	GAC	1
06 913	600	GAC	1



1SLC90314F0001

Article	Cable ladder base (mm)	Finish	Confezione
<b>Cover</b>			
09 927	100	GAC	1
09 928	200	GAC	1
09 929	300	GAC	1
09 930	400	GAC	1
09 931	500	GAC	1
09 932	600	GAC	1



1SLC90315F0001

Article	Cable ladder base (mm)	Finish	Unit/pack-pieces
<b>90° vertical outside bend</b>			
<b>Base</b>			
06 932	100	GAC	1
06 933	200	GAC	1
06 934	300	GAC	1
06 935	400	GAC	1
06 936	500	GAC	1
06 937	600	GAC	1



1SLC90316F0001

Article	Cable ladder base (mm)	Finish	Unit/pack-pieces
<b>Cover</b>			
09 948	100	GAC	1
09 949	200	GAC	1
09 950	300	GAC	1
09 951	400	GAC	1
09 952	500	GAC	1
09 953	600	GAC	1

GAC = hot dip Galvanized after fabrication

# Industrial cable tray

## Closed/punched base cable trays H 100



1SLC80317F0001



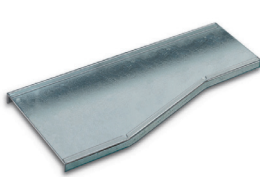
1SLC80318F0001

7

Article	Cable ladder base (mm)	Finish	Unit/pack-pieces
<b>Straight reducer</b>			
<b>Base</b>			
06 709	200/100	GAC	1
06 710	300/100	GAC	1
06 711	300/200	GAC	1
06 712	400/200	GAC	1
06 713	400/300	GAC	1
06 714	500/300	GAC	1
06 715	500/400	GAC	1
06 716	600/400	GAC	1
06 717	600/500	GAC	1
<b>Cover</b>			
09 670	200/100	GAC	1
09 671	300/100	GAC	1
09 672	300/200	GAC	1
09 673	400/200	GAC	1
09 674	400/300	GAC	1
09 675	500/300	GAC	1
09 676	500/400	GAC	1
09 677	600/400	GAC	1
09 678	600/500	GAC	1



1SLC80319F0001



1SLC80320F0001

Article	Cable ladder base (mm)	Finish	Unit/pack-pieces
<b>Left reducer</b>			
<b>Base</b>			
06 739	200/100	GAC	1
06 740	300/100	GAC	1
06 741	300/200	GAC	1
06 742	400/200	GAC	1
06 743	400/300	GAC	1
06 744	500/300	GAC	1
06 745	500/400	GAC	1
06 746	600/400	GAC	1
06 747	600/500	GAC	1
<b>Cover</b>			
09 710	200/100	GAC	1
09 711	300/100	GAC	1
09 712	300/200	GAC	1
09 713	400/200	GAC	1
09 714	400/300	GAC	1
09 715	500/300	GAC	1
09 716	500/400	GAC	1
09 717	600/400	GAC	1
09 718	600/500	GAC	1

GAC = hot dip Galvanized after fabrication



1S.LC8022F0001



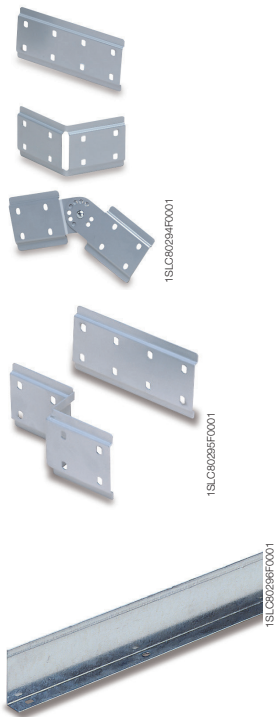
1S.LC8022F0001

Article	Cable ladder base (mm)	Finish	Unit/pack-pieces
<b>Right reducer</b>			
<b>Base</b>			
06 769	200/100	GAC	1
06 770	300/100	GAC	1
06 771	300/200	GAC	1
06 772	400/200	GAC	1
06 773	400/300	GAC	1
06 774	500/300	GAC	1
06 775	500/400	GAC	1
06 776	600/400	GAC	1
06 777	600/500	GAC	1
<b>Cover</b>			
09 750	200/100	GAC	1
09 751	300/100	GAC	1
09 752	300/200	GAC	1
09 753	400/200	GAC	1
09 754	400/300	GAC	1
09 755	500/300	GAC	1
09 756	500/400	GAC	1
09 757	600/400	GAC	1
09 758	600/500	GAC	1

GAC = hot dip Galvanized after fabrication

# Industrial cable tray

## Closed/punched base cable trays H 100



Article	Description	Finish	Unit/pack-pieces
<b>Coupler</b> Includes 2 plates complete with screws and nuts.			
09 763	Coupler	GAC	20
09 764	Horizontal adjustable	GAC	20
09 765	Vertical adjustable	GAC	10

Article	For reductions of (mm)	Finish	Unit/pack-pieces
<b>Couplers for left and right reducer</b>			
09 803	50	GAC	1
09 804	100	GAC	1
09 805	200	GAC	1

GAC = hot dip Galvanized after fabrication

Article	Length (mm)	Finish	Unit/pack-metres
<b>Divider</b>			
09 911	1500		9



1SLC0297F0001



1SLC0298F0001

Article	Description	Finish	Unit/pack-pieces
<b>Square and cover spacer</b>			
09 903	Spacer for cover H 50 mm	GAC	20
09 905	Square for fastening brackets – outer	GAC	50

Article	Description	Finish	Unit/pack-pieces
<b>Fastening components</b>			
07 848	Round-headed M6x10 screw with nut	GAC	100
07 818	Hexagonal-headed M8x16 screw with nut	GAC	100

Article	For reductions of (mm)	Finish	Unit/pack-metres
<b>Earth cable</b>			
09 906	Cable with 4mm <sup>2</sup> section	GAC	20

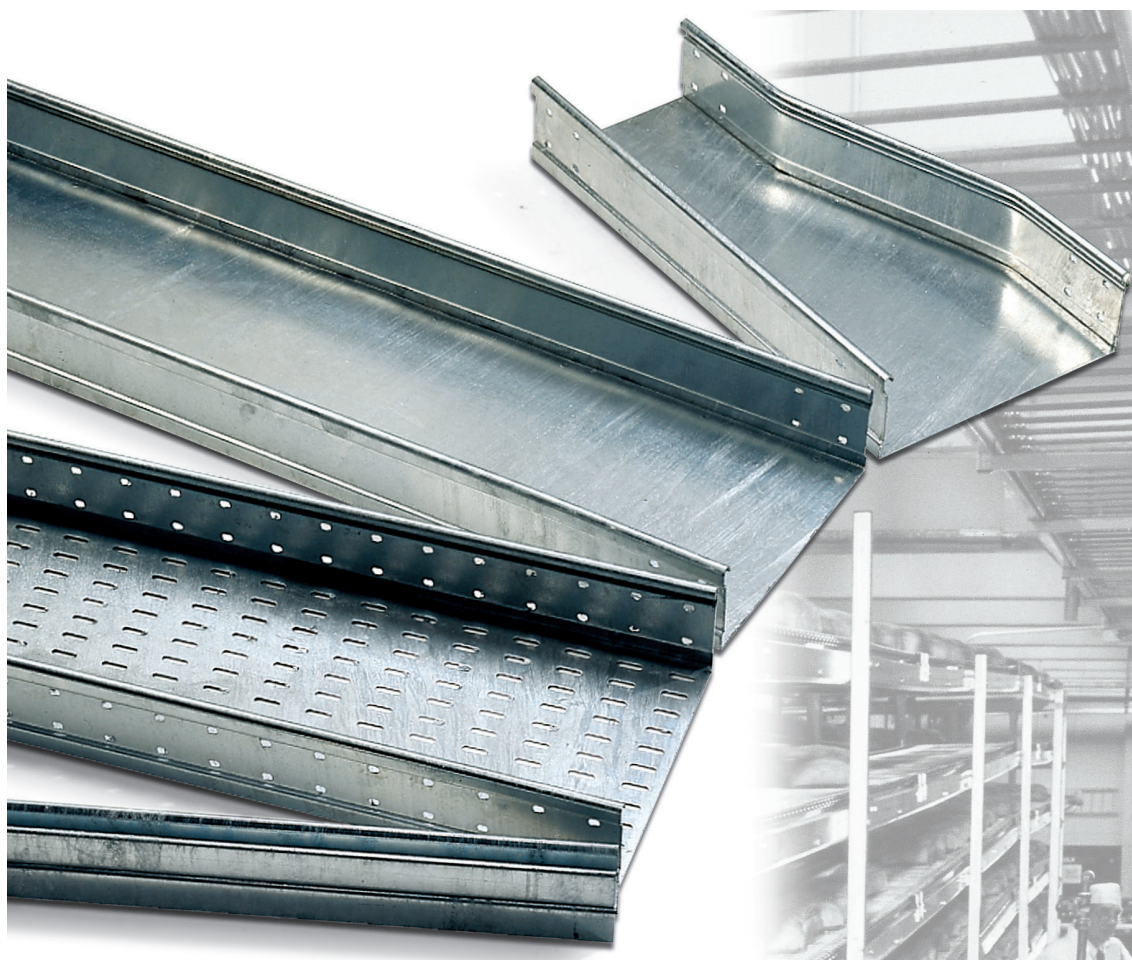
GAC = hot dip Galvanized after fabrication

# Industrial cable tray

## Closed/punched base cable trays H 130

### Technical details

- IP40 degree of protection with closed base and IP20 with punched base (the grade of protection refers to trays with mounted cover)
- produced in EN 10111 DD11 MAC carbon steel hot dip Galvanized after fabrication in compliance with UNI E 14.07.000.0 Standard project complying with CEI 7-6 Standard and BS 729
- standard length 3 metres
- standard height 130 mm
- standard thickness 1.2 mm and, on request, also available in 1.5 and 2 mm thickness
- resistance to atmospheric and chemical (water, saline solutions, acids and mineral, and oil bases) agents
- considerable mechanical capacity thanks to the special moulding of the profile
- other dimensions available upon request
- products are easy to mount, practical and safe
- industrial applications





1SLC80302F0001

Article	Cable ladder base (mm)	Length (mm)	Finish	Unit/pack-metres
<b>Solid bottom cable tray</b>				
06 816	100	3000	GAC	3
06 817	200	3000	GAC	3
06 818	300	3000	GAC	3
06 819	400	3000	GAC	3
06 820	500	3000	GAC	3
06 821	600	3000	GAC	3



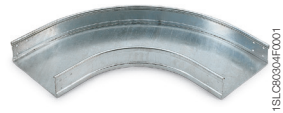
1SLC80303F0001

Article	Cable ladder base (mm)	Length (mm)	Finish	Unit/pack-metres
<b>Punched base cable tray</b>				
06 838	100	3000	GAC	3
06 839	200	3000	GAC	3
06 840	300	3000	GAC	3
06 841	400	3000	GAC	3
06 842	500	3000	GAC	3
06 843	600	3000	GAC	3



1SLC80274F0001

Article	Cable ladder base (mm)	Length (mm)	Finish	Unit/pack-metres
<b>Snap-on cover</b>				
09 430	100	1500	GAC	3
09 431	200	1500	GAC	3
09 432	300	1500	GAC	3
09 433	400	1500	GAC	3
09 434	500	1500	GAC	3
09 435	600	1500	GAC	3



1SLC80304F0001

Article	Cable ladder base (mm)	Finish	Unit/pack-pieces
<b>90° horizontal corner</b>			
<b>Base</b>			
06 866	100	GAC	1
06 867	200	GAC	1
06 868	300	GAC	1
06 869	400	GAC	1
06 870	500	GAC	1
06 871	600	GAC	1



1SLC80305F0001

<b>Cover</b>			
09 470	100	GAC	1
09 471	200	GAC	1
09 472	300	GAC	1
09 473	400	GAC	1
09 474	500	GAC	1
09 475	600	GAC	1

GAC = hot dip Galvanized after fabrication

# Industrial cable tray

## Closed/punched base cable trays H 130



1SLC80309F0001



1SLC80307F0001



1SLC80309F0001



1SLC80309F0001



1SLC80310F0001



1SLC80311F0001

Article	Cable ladder base (mm)	Finish	Unit/pack-pieces
<b>45° horizontal corner</b>			
<b>Base</b>			
06 890	100	GAC	1
06 891	200	GAC	1
06 892	300	GAC	1
06 893	400	GAC	1
06 894	500	GAC	1
06 895	600	GAC	1
<b>Cover</b>			
09 510	100	GAC	1
09 511	200	GAC	1
09 512	300	GAC	1
09 513	400	GAC	1
09 514	500	GAC	1
09 515	600	GAC	1

Article	Cable ladder base (mm)	Finish	Unit/pack-pieces
<b>Horizontal tee</b>			
<b>Base</b>			
07 013	100	GAC	1
07 014	200	GAC	1
07 015	300	GAC	1
07 016	400	GAC	1
07 017	500	GAC	1
07 018	600	GAC	1
<b>Cover</b>			
09 550	100	GAC	1
09 551	200	GAC	1
09 552	300	GAC	1
09 553	400	GAC	1
09 554	500	GAC	1
09 555	600	GAC	1

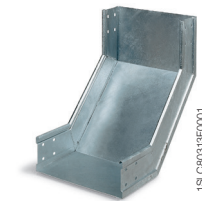
Article	Cable ladder base (mm)	Finish	Unit/pack-pieces
<b>Horizontal cross</b>			
<b>Base</b>			
07 038	100	GAC	1
07 039	200	GAC	1
07 040	300	GAC	1
07 041	400	GAC	1
07 042	500	GAC	1
07 043	600	GAC	1
<b>Cover</b>			
09 590	100	GAC	1
09 591	200	GAC	1
09 592	300	GAC	1
09 593	400	GAC	1
09 594	500	GAC	1
09 595	600	GAC	1

GAC = hot dip Galvanized after fabrication

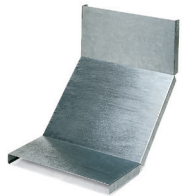




1SLC80312F0001



1SLC80318F0001



1SLC80314F0001



1SLC80319F0001



1SLC80316F0001

Article	Cable ladder base (mm)	Finish	Unit/pack-pieces
<b>Vertical inside and outside bend adjustable from 0° to 90°</b>			
07 063	100	GAC	1
07 064	200	GAC	1
07 065	300	GAC	1
07 066	400	GAC	1
07 067	500	GAC	1
07 068	600	GAC	1

Per la copertura usare coperchi rettilinei.

Article	Cable ladder base (mm)	Finish	Unit/pack-pieces
<b>90° vertical inside bend</b>			
<b>Base</b>			
06 916	100	GAC	1
06 917	200	GAC	1
06 918	300	GAC	1
06 919	400	GAC	1
06 920	500	GAC	1
06 921	600	GAC	1

Article	Cable ladder base (mm)	Finish	Unit/pack-pieces
<b>Cover</b>			
09 934	100	GAC	1
09 935	200	GAC	1
09 936	300	GAC	1
09 937	400	GAC	1
09 938	500	GAC	1
09 939	600	GAC	1

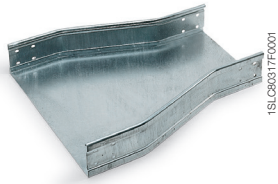
Article	Cable ladder base (mm)	Finish	Unit/pack-pieces
<b>90° vertical outside bend</b>			
<b>Base</b>			
06 940	100	GAC	1
06 941	200	GAC	1
06 942	300	GAC	1
06 943	400	GAC	1
06 944	500	GAC	1
06 945	600	GAC	1

Article	Cable ladder base (mm)	Finish	Unit/pack-pieces
<b>Cover</b>			
09 955	100	GAC	1
09 956	200	GAC	1
09 957	300	GAC	1
09 958	400	GAC	1
09 959	500	GAC	1
09 960	600	GAC	1

GAC = hot dip Galvanized after fabrication

# Industrial cable tray

## Closed/punched base cable trays H 130



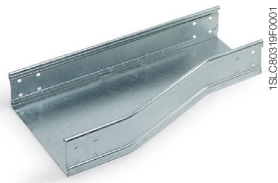
1SLC8311F0001



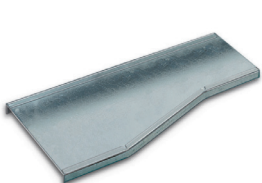
1SLC8318F0001

7

Article	Cable ladder base (mm)	Finish	Unit/pack-pieces
<b>Straight reducer</b>			
<b>Base</b>			
06 718	200/100	GAC	1
06 719	300/100	GAC	1
06 720	300/200	GAC	1
06 721	400/200	GAC	1
06 722	400/300	GAC	1
06 723	500/300	GAC	1
06 724	500/400	GAC	1
06 725	600/400	GAC	1
06 726	600/500	GAC	1
<b>Cover</b>			
09 670	200/100	GAC	1
09 671	300/100	GAC	1
09 672	300/200	GAC	1
09 673	400/200	GAC	1
09 674	400/300	GAC	1
09 675	500/300	GAC	1
09 676	500/400	GAC	1
09 677	600/400	GAC	1
09 678	600/500	GAC	1



1SLC8318F0001



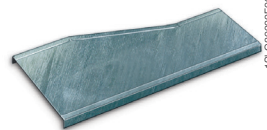
1SLC8320F0001

Article	Cable ladder base (mm)	Finish	Unit/pack-pieces
<b>Left reducer</b>			
<b>Base</b>			
06 748	200/100	GAC	1
06 749	300/100	GAC	1
06 750	300/200	GAC	1
06 751	400/200	GAC	1
06 752	400/300	GAC	1
06 753	500/300	GAC	1
06 754	500/400	GAC	1
06 755	600/400	GAC	1
06 756	600/500	GAC	1
<b>Cover</b>			
09 710	200/100	GAC	1
09 711	300/100	GAC	1
09 712	300/200	GAC	1
09 713	400/200	GAC	1
09 714	400/300	GAC	1
09 715	500/300	GAC	1
09 716	500/400	GAC	1
09 717	600/400	GAC	1
09 718	600/500	GAC	1

GAC = hot dip Galvanized after fabrication



ISL03021F0001



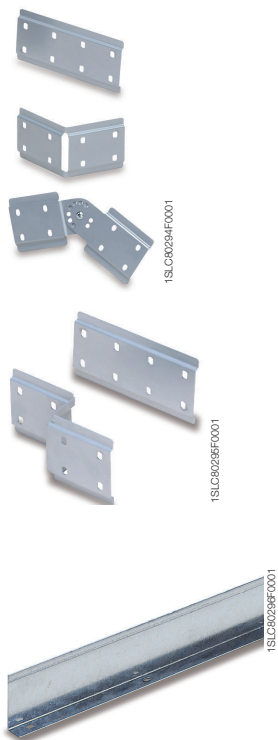
ISL03022F0001

Article	Cable ladder base (mm)	Finish	Unit/pack-pieces
<b>Right reducer</b>			
<b>Base</b>			
06 778	200/100	GAC	1
06 779	300/100	GAC	1
06 780	300/200	GAC	1
06 781	400/200	GAC	1
06 782	400/300	GAC	1
06 783	500/300	GAC	1
06 784	500/400	GAC	1
06 785	600/400	GAC	1
06 786	600/500	GAC	1
<b>Cover</b>			
09 750	200/100	GAC	1
09 751	300/100	GAC	1
09 752	300/200	GAC	1
09 753	400/200	GAC	1
09 754	400/300	GAC	1
09 755	500/300	GAC	1
09 756	500/400	GAC	1
09 757	600/400	GAC	1
09 758	600/500	GAC	1

GAC = hot dip Galvanized after fabrication

# Industrial cable tray

## Closed/punched base cable trays H 130



7

Article	Description	Finish	Unit/pack-pieces
<b>Coupler</b> Includes 2 plates complete with screws and nuts.			
09 766	Coupler	GAC	1/20
09 767	Horizontal adjustable joint	GAC	1/20
09 768	Vertical adjustable joint	GAC	1/10

Article	For reductions of (mm)	Finish	Unit/pack-pieces
<b>Couplers for left and right reduction</b>			
09 806	50	GAC	1
09 807	100	GAC	1
09 808	200	GAC	1

Article	Length (mm)	Finish	Unit/pack-metres
<b>Divider</b>			
09 912	1500	GAC	2/10

GAC = hot dip Galvanized after fabrication



Article	Description	Finish	Unit/pack-pieces
<b>Square and cover spacer</b>			
09 903	Spacer for cover H 50 mm	GAC	20
09 905	Square for fastening brackets – outer	GAC	50



Article	Description	Finish	Unit/pack-pieces
<b>Fastening components</b>			
07 848	Round-headed M6x10 screw with nut	GAC	100
07 818	Hexagonal-headed M8x16 screw with nut	GAC	100

Article	For reductions of (mm)	Finish	Unit/pack-metres
<b>Earth cable</b>			
09 906	Cable with 4 mm <sup>2</sup> section	GAC	20

GAC = hot dip Galvanized after fabrication



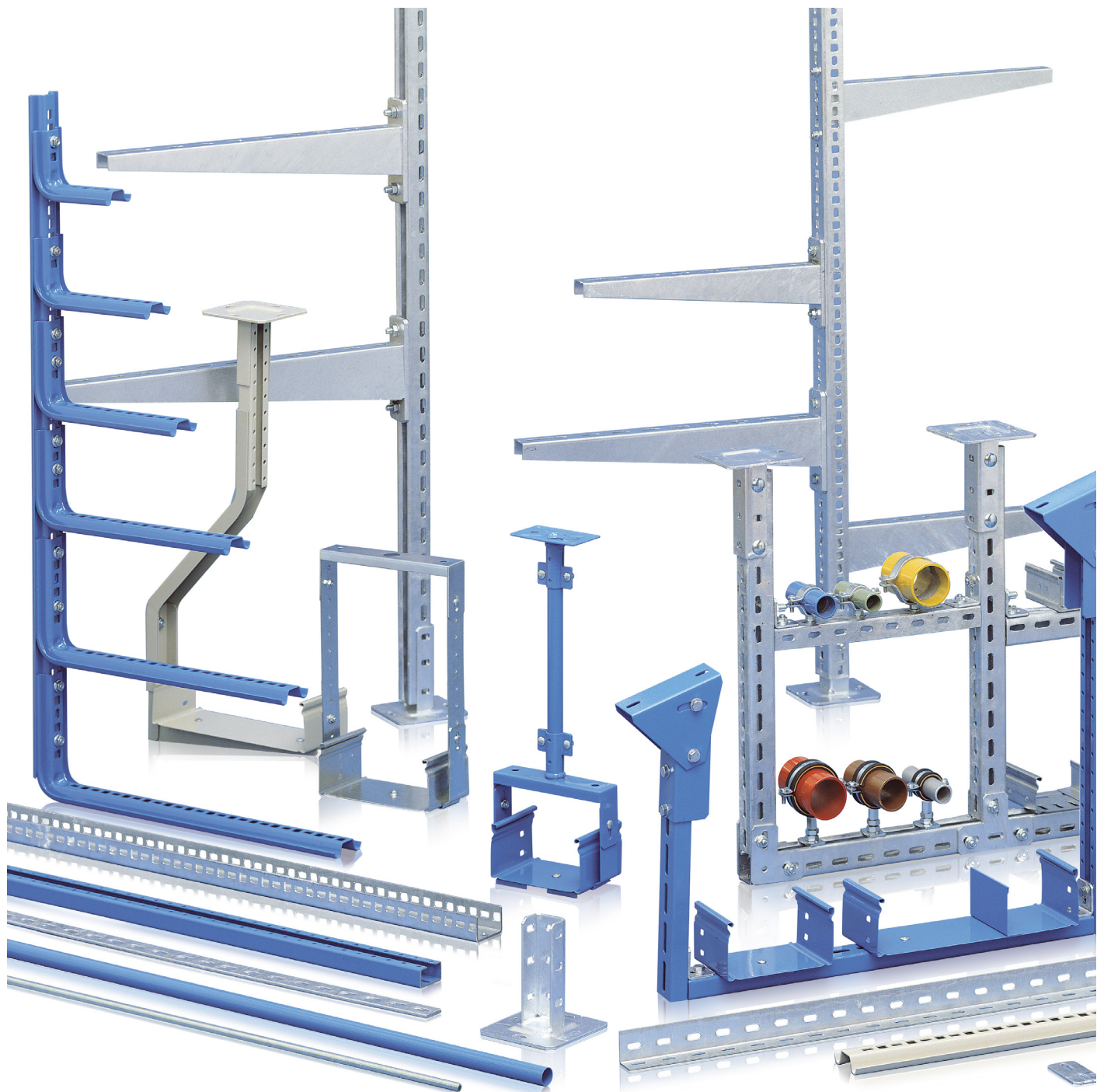
# Support systems for industrial trunking

# Support systems for industrial trunking

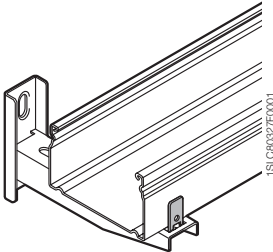
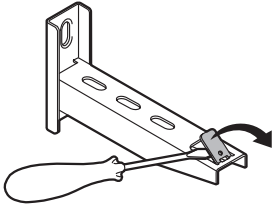
## Support elements

### Technical details

- Colors:
  - Galvanized
  - RAL 7035 grey
  - bright blue
- produced in hot dip Galvanized sendzimir steel plate and in hot dip Galvanized after fabrication steel plate, in compliance with UNI E 14.07.000.0 Standard
- painted with thermosetting, epoxy-polyester powders; average thickness 70-80 micron, after fabrication on hot dip Galvanized plate
- complete range of accessories for suspension and anchorage specially designed to be modular and highly versatile
- industrial application







Article	Trunking base (mm)	Finish	Capacity (N)	Unit/pack-pieces
<b>Galvanized bracket</b>				
Can be fixed directly to the wall or on the "C" profile art. 07 992, 07 993 and 08 861 using plate art. 07 995.				
07 901	75	Sendzimir Galvanized	600	40
07 902	100	Sendzimir Galvanized	600	30
07 903	150	Sendzimir Galvanized	600	30
07 904	200	Sendzimir Galvanized	650	20
07 905	300	Sendzimir Galvanized	650	20
07 906	400	Hot dip Galvanized after fabrication	900	10
07 907	500	Hot dip Galvanized after fabrication	1100	10
1SL7911A00	75	RAL 7035 grey	600	40
1SL7912A00	100	RAL 7035 grey	600	30
1SL7913A00	150	RAL 7035 grey	600	30
1SL7914A00	200	RAL 7035 grey	650	20
1SL7915A00	300	RAL 7035 grey	650	20
1SL7916A00	400	RAL 7035 grey	900	10
1SL7917A00	500	RAL 7035 grey	1100	10
08 801	75	Bright blue	600	40
08 802	100	Bright blue	600	30
08 803	150	Bright blue	600	30
08 804	200	Bright blue	650	20
08 805	300	Bright blue	650	20
08 806	400	Bright blue	900	10
08 807	500	Bright blue	1100	10

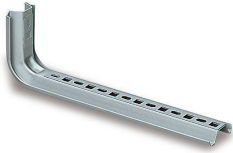
N.B.: You can position the trunking without dropping it using the tongue



Article	Trunking base (mm)	Finish	Capacity (N)	Unit/pack-pieces
<b>Chair bracket</b>				
Can be used with "C" profile art. 07 992, 07 993 or 08 861.				
07 908	75/100/150	Galvanized	600	10
07 909	200/300	Galvanized	650	10
1SL7918A00	75/100/150	RAL 7035 grey	600	10
1SL7919A00	200/300	RAL 7035 grey	650	10
08 811	75/100/150	Bright blue	600	10
08 812	200/300	Bright blue	650	10

# Support systems for industrial trunking

## Support elements



1SLC8029F0001

Article	Trunking base (mm)	Finish	Capacity (N)	Unit/pack-pieces
<b>Light pressed bracket (sendzimir Galvanized)</b>				
Can be used with profile art. 07 960.				
07 671	75	Galvanized	1000	10
07 672	100	Galvanized	1000	10
07 673	150	Galvanized	750	10
07 674	200	Galvanized	600	10
07 675	300	Galvanized	450	10
07 676	400	Galvanized	400	5
07 677	500	Galvanized	300	5
1SL7681A00	75	RAL 7035 grey	1000	10
1SL7682A00	100	RAL 7035 grey	1000	10
1SL7683A00	150	RAL 7035 grey	750	10
1SL7684A00	200	RAL 7035 grey	600	10
1SL7685A00	300	RAL 7035 grey	450	10
1SL7686A00	400	RAL 7035 grey	400	5
1SL7687A00	500	RAL 7035 grey	300	5
08 881	75	Bright blue	1000	10
08 882	100	Bright blue	1000	10
08 883	150	Bright blue	750	10
08 884	200	Bright blue	600	10
08 885	300	Bright blue	450	10
08 886	400	Bright blue	400	5
08 887	500	Bright blue	300	5

8



1SLC8030F0001

Article	Trunking base (mm)	Finish	Capacity (N)	Unit/pack-pieces
<b>Heavy bracket (hot dip Galvanized after fabrication)</b>				
Can be used directly to the wall or with profile art. 07 956 and anchoring screws art. 07 851.				
07 785	75/100/150	GAC	1800	30
07 786	200	GAC	1800	20
07 787	300	GAC	1800	20
07 788	400	GAC	2000	10
07 789	500	GAC	2000	10
07 790	600	GAC	2000	10



1SLC8031F0001

Article	Trunking base (mm)	Finish	Capacity (N)	Unit/pack-pieces
<b>Alfen profile bracket (hot dip Galvanized after fabrication)</b>				
Can be used with profile art. 07 956 and anchorage screws art. 07 851.				
09 770	150	GAC	2000	1
09 771	250	GAC	1700	1
09 772	350	GAC	1500	1
09 773	450	GAC	1300	1
09 774*	550	GAC	2500	1
09 775*	650	GAC	2200	1
09 776*	750	GAC	2500	1
09 777*	850	GAC	2400	1
09 778*	950	GAC	2300	1
09 779*	1050	GAC	2200	1

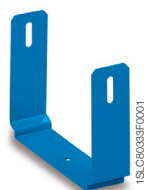
\* Reinforced bracket

GAC = hot dip Galvanized after fabrication

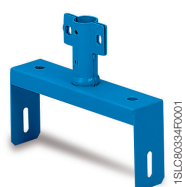
Overall dimensions ..... pages 10/46 - 10/51



Article	Trunking base (mm)	Finish	Unit/pack-pieces
<b>Cross piece for fastening to the ceiling</b>			
07 941	75	Galvanized	40
07 942	100	Galvanized	30
07 943	150	Galvanized	30
07 944	200	Galvanized	20
07 945	300	Galvanized	20
1SL7951A00	75	RAL 7035 grey	40
1SL7952A00	100	RAL 7035 grey	30
1SL7953A00	150	RAL 7035 grey	30
1SL7954A00	200	RAL 7035 grey	20
1SL7955A00	300	RAL 7035 grey	20
08 831	75	Bright blue	40
08 832	100	Bright blue	30
08 833	150	Bright blue	30
08 834	200	Bright blue	20
08 835	300	Bright blue	20



Article	Trunking base (mm)	Finish	Unit/pack-pieces
<b>Support for suspension</b>			
07 961	75	Galvanized	40
07 962	100	Galvanized	30
07 963	150	Galvanized	30
07 964	200	Galvanized	20
07 965	300	Galvanized	20
1SL7971A00	75	RAL 7035 grey	40
1SL7972A00	100	RAL 7035 grey	30
1SL7973A00	150	RAL 7035 grey	30
1SL7974A00	200	RAL 7035 grey	20
1SL7975A00	300	RAL 7035 grey	20
08 841	75	Bright blue	40
08 842	100	Bright blue	30
08 843	150	Bright blue	30
08 844	200	Bright blue	20
08 845	300	Bright blue	20

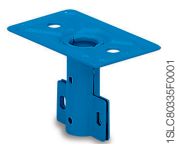


Article	Trunking base (mm)	Finish	Unit/pack-pieces
<b>Cross piece with conduit-tightening collar Ø 22 mm</b>			
07 921	75	Galvanized	40
07 922	100	Galvanized	30
07 923	150	Galvanized	30
07 924	200	Galvanized	20
07 925	300	Galvanized	20
1SL7931A00	75	RAL 7035 grey	40
1SL7932A00	100	RAL 7035 grey	30
1SL7933A00	150	RAL 7035 grey	30
1SL7934A00	200	RAL 7035 grey	20
1SL7935A00	300	RAL 7035 grey	20
08 821	75	Bright blue	40
08 822	100	Bright blue	30
08 823	150	Bright blue	30
08 824	200	Bright blue	20
08 825	300	Bright blue	20

Overall dimensions ..... pages 10/46 - 10/51

# Support systems for industrial trunking

## Support elements



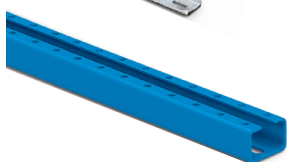
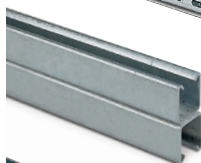
1SLC80338F0001

Article	Trunking base (mm)	Finish	Unit/pack-pieces
<b>Plate with conduit-tightening collar Ø 22 mm</b>			
Suitable for ceiling suspension and branch connection.			
07 978	For conduit with ø 22 mm	Galvanized	40
1SL7979A00	For conduit with ø 22 mm	RAL 7035 grey	40
08 854	For conduit with ø 22 mm	Bright blue	40



1SLC80338F0001

Article	Description	Finish	Unit/pack-pieces
<b>Conduit ø 22 mm</b>			
For suspension or branch connection: 3-metre bars.			
07 982	Conduit ø 22 mm	Galvanized	10 bars
1SL7983A00	Conduit ø 22 mm	RAL 7035 grey	10 bars
08 862	Conduit ø 22 mm	Bright blue	10 bars



1SLC80337F0001

Article	Dimensions (mm)	Length	Description	Finish	Unit/pack-pieces
<b>Profile for suspensions</b>					
1SL9895A00	41x41x2,5	3000 mm	Anchor screw profile 41X41X3000 MM PERFORATED	Sendzimir	6
07956	41x41x2,5	2000 mm	Anchor screw profile 41X41X2000 MM PERFORATED	Hot dip galvanized	4
1SL9896A00	41x41x2,5	3000 mm	Anchor screw profile 41X41X3000 MM PERFORATED	Hot dip galvanized	6
07926	41x41x2,5	2000 mm	Anchor screw profile 41X41X2000 MM Plain cover	Hot dip galvanized	4
1SL9897A00	41x41x2,5	3000 mm	Anchor screw profile 41X41X3000 MM Plain cover	Hot dip galvanized	6
07927	82x41x2,5	2000 mm	Anchor screw profile 82X41X2000 MM Plain cover	Hot dip galvanized	2
07957	40x28x2	2000 mm	"L" punched profile 40X28X2000	Sendzimir	10
1SL7947A00	40x28x2	2000 mm	"L" punched profile 40X28X2000	RAL 7035 grey	10
08863	40x28x2	2000 mm	"L" punched profile 40X28X2000	Bright blue	10
07958	40x28x2	2000 mm	"U" punched profile 40X28X2000	Sendzimir	4
1SL7948A00	40x28x2	2000 mm	"U" punched profile 40X28X2000	RAL 7035 grey	4
08864	40x28x2	2000 mm	"U" punched profile 40X28X2000	Bright blue	4
07959	56x36x3	2000 mm	"U" punched profile 56X36X2000	Hot dip galvanized	4
07992*	44x25x2	2000 mm	"C" punched profile 44x25x2000	Sendzimir	4
1SL7993A00*	44x25x2	2000 mm	"C" punched profile 44x25x2000	RAL 7035 grey	4
08861*	44x25x2	2000 mm	"C" punched profile 44x25x200	Bright blue	4





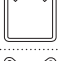
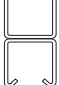



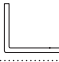






\* Use plate art. 07995 for fastening brackets



1SLC80338F0001

Article	Dimensions (mm)	Description	Finish	Conf./lmb.-N pezzi
<b>Light pressed bracket profile</b>				
Length 1000 mm.				
07 960	60x20x2	Light bracket profile	Galvanized	10

Overall dimensions ..... pages 10/46 - 10/51

Article	Description	Type	Shape	Blocking
1SL9895A00	Anchor screw profile 41X41X3000 MM PERFORATED SENDZIMIR	Z		Anchor
07956	Anchor screw profile 41X41X2000 MM PERFORATED Hot dip galvanized	GAC		Anchor
1SL9896A00	Anchor screw profile 41X41X3000 MM PERFORATED Hot dip galvanized	GAC		Anchor
07926	Anchor screw profile 41X41X2000 MM Plain cover Hot dip galvanized	GAC		Anchor
1SL9897A00	Anchor screw profile 41X41X3000 MM Plain cover Hot dip galvanized	GAC		Anchor
07927	Anchor screw double profile 82X41X2000 MM Plain cover Hot dip galvanized	GAC		Anchor
07957	"L" punched profile 40X28X2000 SENDZIMIR	Z		Profile screw
1SL7947A00	"L" punched profile 40X28X2000 RAL 7035 grey	RAL 7035		Profile screw
08863	"L" punched profile 40X28X2000 Bright blue	BLU		Profile screw
07958	"U" punched profile 40X28X2000 SENDZIMIR	Z		Profile screw
1SL7948A00	"U" punched profile 40X28X2000 RAL 7035 grey	RAL 7035		Profile screw
08864	"U" punched profile 40X28X2000 Bright blue	BLU		Profile screw
07959	"U" punched profile 56X36X2000 Hot dip galvanized	GAC		Profile screw
07992	"C" punched profile 44x25x2000 SENDZIMIR	Z		Blocking plate
1SL7993A00	"C" punched profile 44x25x2000 RAL 7035 grey	RAL 7035		Blocking plate
08861	"C" punched profile 44x25x2000 Bright blue	BLU		Blocking plate

**Legend:**

Z= Galvanized  
GAC = Hot dip galvanized after fabrication  
BLU = Bright blue  
RAL 7035 = Grey RAL 7035  
EZ = Electro Galvanized

# Support systems for industrial trunking

## Support elements



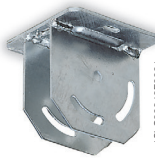
1SLC80340F0001



1SLC80340F0001



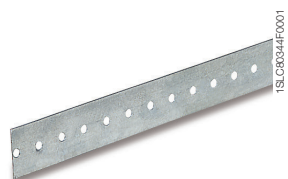
1SLC80341F0001



1SLC80343F0001

Article	Description	Color	Unit/pack-pieces
<b>Ceiling anchorage plate</b>			
07986	Single plate 44x25x2 a C Hot dip galvanized	GAC	20
1SL7987A00	Single plate 44x25x2 a C RAL 7035	RAL 7035	20
08851	Single plate 44x25x2 a C blu	BLU	20
07988	Double plate 44x25x2 a C Hot dip galvanized	GAC	10
1SL7989A00	Double plate 44x25x2 a C RAL 7035	RAL 7035	10
08852	Double plate 44x25x2 a C blu	BLU	10
07984	Single plate 41x41x2,5 Galvanized	GAC	20
07949	Double plate 41x41x2,5 Galvanized	GAC	20
07990	Adjustable plate 44x25x2 a C Galvanized	Z	20
1SL7991A00	Adjustable plate 44x25x2 a C RAL 7035	RAL 7035	20
08853	Adjustable plate 44x25x2 a C blu	BLU	20
07985	Adjustable heavy plate 41x41x2,5 Galvanized	GAC	10

GAC = hot dip Galvanized after fabrication



Article	Dimensions BxD (mm)	Color	Unit/pack - m
<b>Punched bar</b>			
In 20-metre roll.			
07 996	40x1,2	Hot dip galvanized	20
07 997	20x1	Hot dip galvanized	20

Article	Dimensions BxD (mm)	Color	Unit/pack - m
<b>Flat punched profile</b>			
Length 2 m.			
07 966	30x3	Hot dip galvanized	20

Article	Description	Length (mm)	Color	Unit/pack-pieces
<b>Horizontal punched fastening plate</b>				
Thickness 4 mm.				
07 437	Plate with 1 hole	40	Hot dip galvanized	25
07 967	Plate with 2 holes	75	Hot dip galvanized	25
07 976	Plate with 3 holes	115	Hot dip galvanized	10
07 968	Plate with 4 holes	155	Hot dip galvanized	10

Article	Description	Color	Unit/pack-pieces
<b>90° punched fastening square</b>			
Thickness 4 mm.			
07 969	Plate with 2 holes	Hot dip galvanized	25
07 977	Plate with 3 holes	Hot dip galvanized	10
07 970	Plate with 4 holes	Hot dip galvanized	10

# Support systems for industrial trunking

## Support elements



1SLC80349F0001

Article	Description	Color	Unit/pack-pieces
<b>Horizontal 90°, tee and cross punched fastening plate</b> Thickness 4 mm.			
07 980	90° plate	Hot dip galvanized	10
07 981	tee plate	Hot dip galvanized	10
07 438	cross plate	Hot dip galvanized	10



1SLC80349F0001

Article	Description	Color	Unit/pack-pieces
<b>Fastening screws</b>			
07 849	Round-headed M8x16 screw complete with nut and washer	Electrolytic Galvanized	100
07 818	Hexagonal-headed M8x16 screw complete with nut and washer	Electrolytic Galvanized	100
07 819	Hexagonal-headed M10x20 screw complete with nut and washer	Electrolytic Galvanized	100
07 439	M6 nut in cage	Electrolytic Galvanized	100
07 853	M8 nut in cage	Electrolytic Galvanized	100



1SLC80350F0001

Article	Description	Color	Unit/pack-pieces
<b>Anchor screws</b>			
07 448	M8x30 male screw with nut	Electrolytic Galvanized	50
07 851	M10x30 male screw with nut	Electrolytic Galvanized	50
07 826	M8 female screw	Electrolytic Galvanized	50
07 827	M10 female screw	Electrolytic Galvanized	50
07 828	M8 female screw with spring	Electrolytic Galvanized	50
07 830	M10 female screw with spring	Electrolytic Galvanized	50



1SLC80338F0001

Article	Description	Finish	Unit/pack-pieces
<b>Fixing Elements</b>			
07 995*	Blocking plate	Electro galvanized (EZ)	50

\* Blocking plate to be used within the "C" punched profile (art. 07992, 07993 e 08861) for shelf fixing



1SLC80351F0001

Article	Description	Color	Unit/pack-pieces
<b>Thread rod (ATR)</b> 1-metre length.			
07 806	M8 bar	Electrolytic Galvanized	10
07 807	M10 bar	Electrolytic Galvanized	10



1SLC80352F0001

Article	Description	Color	Unit/pack-pieces
<b>Coupler</b>			
07 808	M8 sleeve	Electrolytic Galvanized	50
07 809	M10 sleeve	Electrolytic Galvanized	50

Overall dimensions ..... pages 10/46 - 10/51



# Technical details and assembly instructions

Technical information	9/2
Assembly instructions for steel wire cable trays	9/4
Mounting examples	9/15
Guide to selecting suspension systems for industrial trunking	9/23

# Technical details and assembly instructions

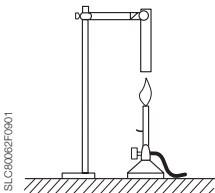
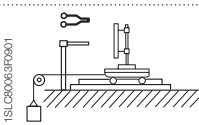
## IK degrees of protection and self-extinguishing tests

### Degrees of mechanical shock protection IK conforming to CEI EN 50102 Standard

IK	Shock energy (Joule)	IK	Shock energy (Joule)
00	not protected	06	1 Joule
01	0,15 Joules	07	2 Joules
02	0,2 Joules	08	5 Joules
03	0,35 Joules	09	10 Joules
04	0,5 Joules	10	20 Joules
05	0,7 Joules		

Note: text equipment used includes a spring hammer, a pendulum hammer and a vertical hammer.

### Self-extinguishing degrees of protection

Test	Test equipment	Compliance to standards	Purpose of the test	Results of the test	Test conditions		
					Heat source	Duration of test	Characteristic elements
UL (UNDERWRITERS' LABORATORIES)	 1SLC60062F0901	<b>UL 94</b>	A classification is given to the various types of behaviour that the materials may have following contact with the Bunsen flame	V0 if the test specimen burns for less than 5 seconds before going out. V1 if it burns for less than 25 seconds V2 if it burns for less than 25 seconds, dripping glowing material HB if it burns for more than 25 seconds (horizontal test specimen with a maximum burning speed of 38 mm per minute) Can be assimilated with ASTM D-635	Bunsen burner flame	Flame applied for 10 seconds and for two consecutive times	Duration of combustion
GLOW-WIRE TEST	 1SLC60063F0901	<b>IEC 60695-2-11</b>	Simulates the types of thermal stress that may be produced by the sources of heat or ignition (glowing elements or overcharged resistors for short periods) in order to assess the danger of fire using this simulation	Any manifestation of a flame must stop within 30 seconds of removing the glow-wire.  TEST TEMPERATURES 650 °C 750 °C 850 °C 960 °C	Glow-wire 4 mm in diameter	Wire applied for 30 seconds	Time it takes the flame to extinguish

## Protection against the penetration of solid bodies

1 <sup>st</sup> digit	Brief description	Full description
0	Unprotected	No particular protection is provided
1	Protected against solid bodies larger than 50 mm	It must be impossible for a large surface area, for example, the hand, to penetrate (voluntary protection is not provided, however) or solid bodies larger than 50 mm in diameter
2	Protected against solid bodies larger than 12 mm	It must be impossible for the fingers or similar objects with a maximum length of 80 mm or solid bodies with a diameter greater than 12 mm to penetrate
3	Protected against solid bodies larger than 2.5 mm	It must be impossible for tools, wires, etc. with a diameter or thickness greater than 2.5 mm or solid bodies with a diameter greater than 2.5 mm to penetrate
4	Protected against solid bodies larger than 1.0 mm	It must not be possible for wires or plates with a thickness greater than 1.0 mm or solid bodies with a diameter greater than 1.0 mm to penetrate
5	Dust proof	Not totally dust proof, but the quantity that penetrates is not such to prevent the material from functioning well
6	Totally dust proof	No dust can penetrate

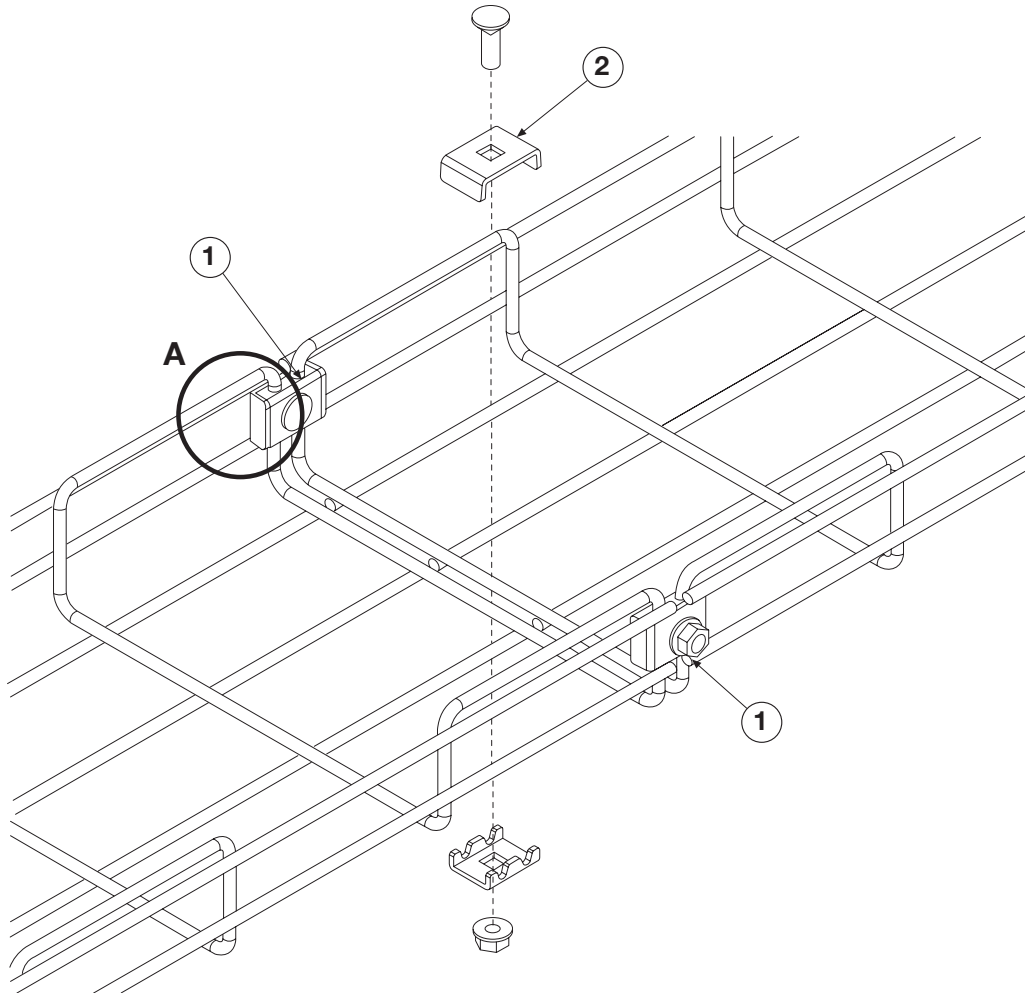
## Protection against water penetration

2 <sup>nd</sup> digit	Brief description	Full description
0	Unprotected	No particular protection is provided
1	Protected against drops of water	Vertically-falling drops of water must not cause damage
2	Protected against drops of water falling with a maximum angle of 15°	Vertically-falling drops of water will not cause damage when angled at a maximum of 15° from vertical
3	Rain proof	Rain water falling from a direction creating a maximum angle of 60° from vertical must not cause damage
4	Protected against sprays of water	Water sprayed onto the covering from any direction must not cause damage
5	Protected against jets of water	Water projected with a nozzle from any direction must not cause damage
6	Protected against waves	In the case of waves or powerful water jets must not penetrate the covering in harmful quantities
7	Protected against the effects of temporary immersion	Harmful quantities of water must not penetrate inside the immersed covering in specific conditions of pressure or duration
8	Protected against the effect of continuous immersion	The material is suitable to remain constantly immersed in water in the conditions specified by the manufacturer

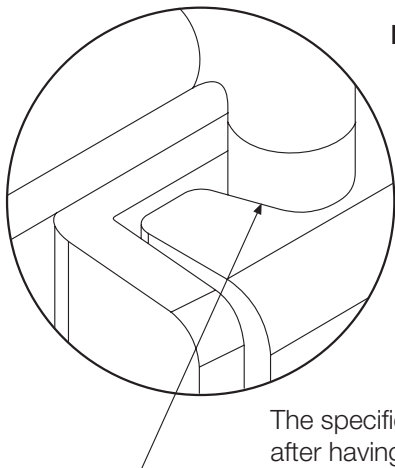
# Technical details and assembly instructions

## Assembly instructions for steel wire cable trays

### Straight sections with hardware



9



**Detail A**

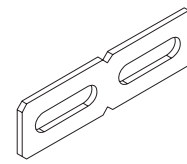
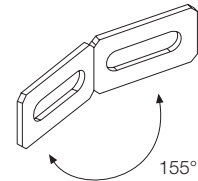
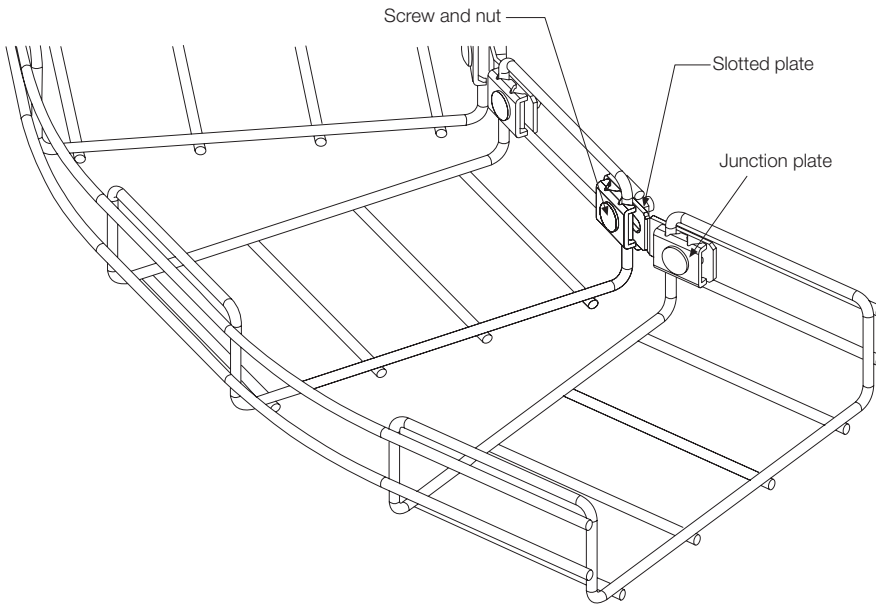
The specific profile of the staple allows, after having tightened the screws to have earth continuity without using earthing terminals. To ensure this it is necessary that the minimum torque to be applied is of 6 N m.

Q.ty art. 1SL9879A00

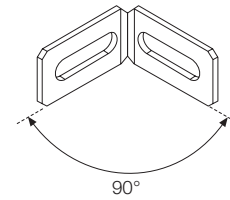
Bridge (mm)	position 1	position 2
75	2	0
100	2	0
150	2	0
200	2	1
300	2	1
400	2	2
500	2	2

1SL9879A00

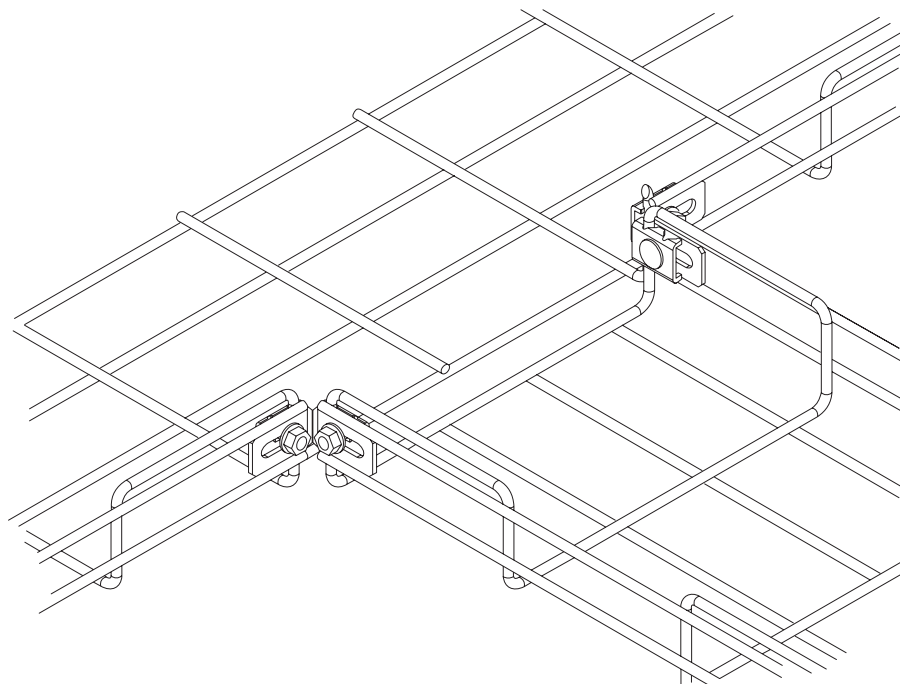
## Assembly instructions for bends and T-fittings



If you straighten the joint, it can be used for reductions (see relevant examples)



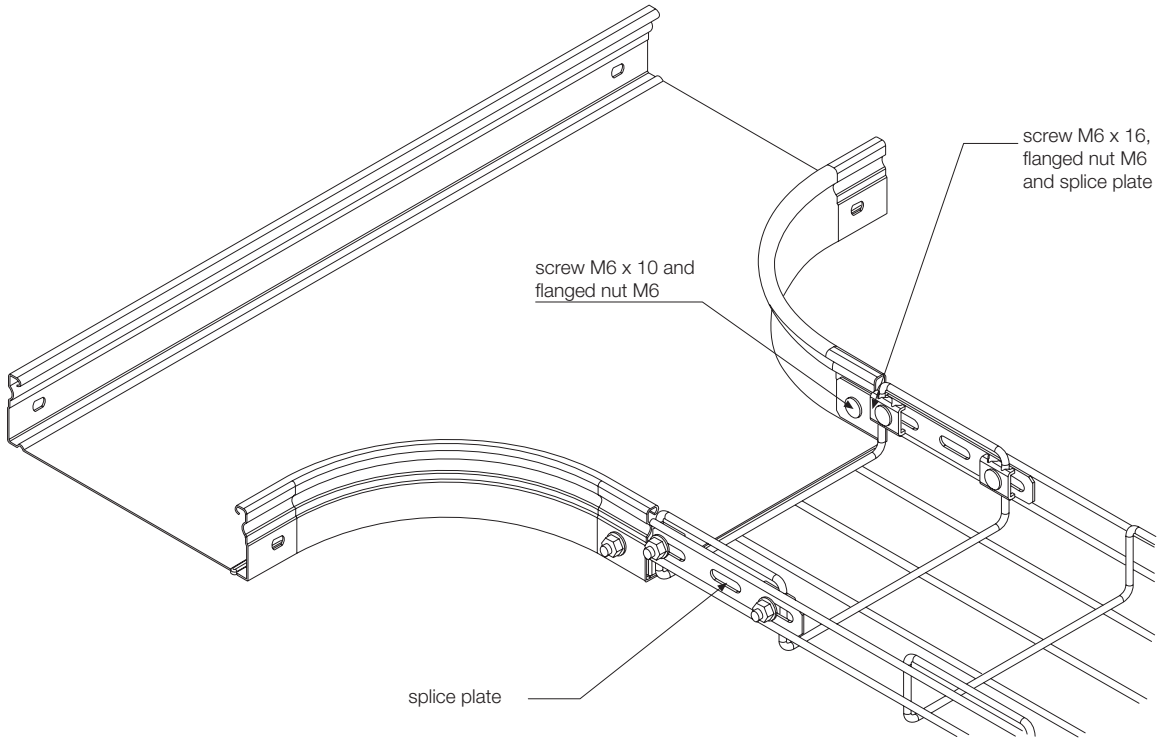
If you bend the joint by 90° it can be used for "T" branch connections at 90° on trunking measure P=100-200-300-400-500 mm



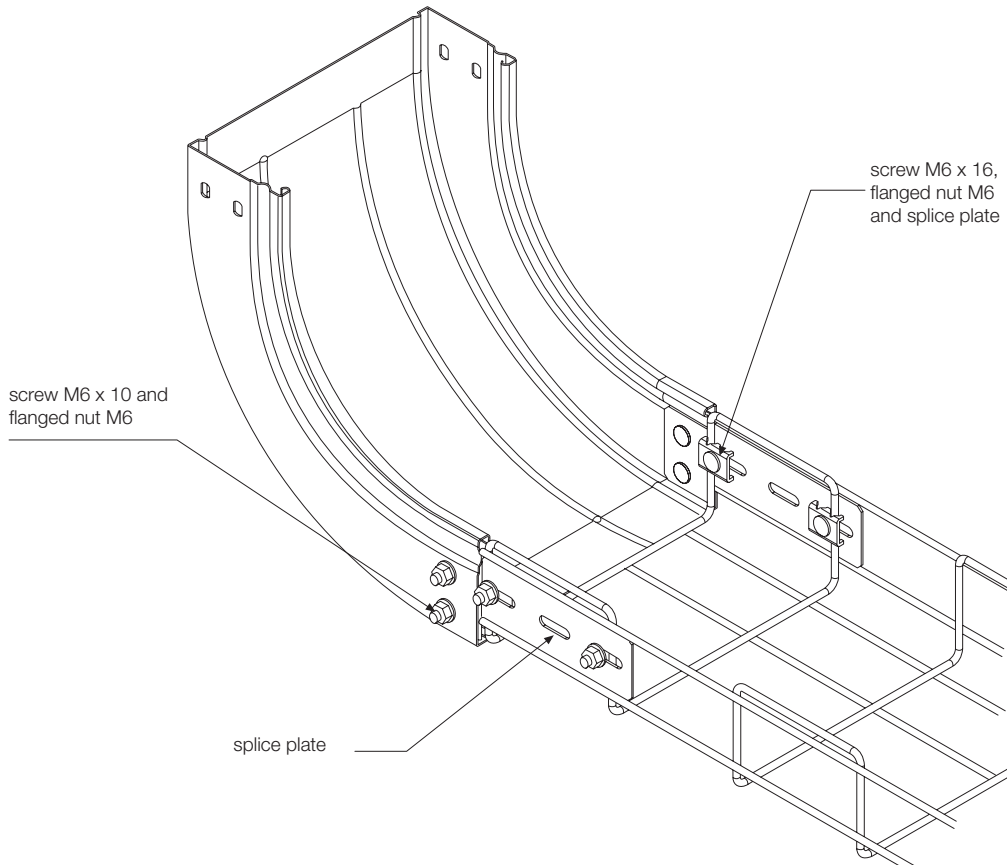
# Technical details and assembly instructions

## Assembly instructions for steel wire cable trays

### Adapter joints for sendzimir accessories 1SL9888A00 - 1SL9889A00



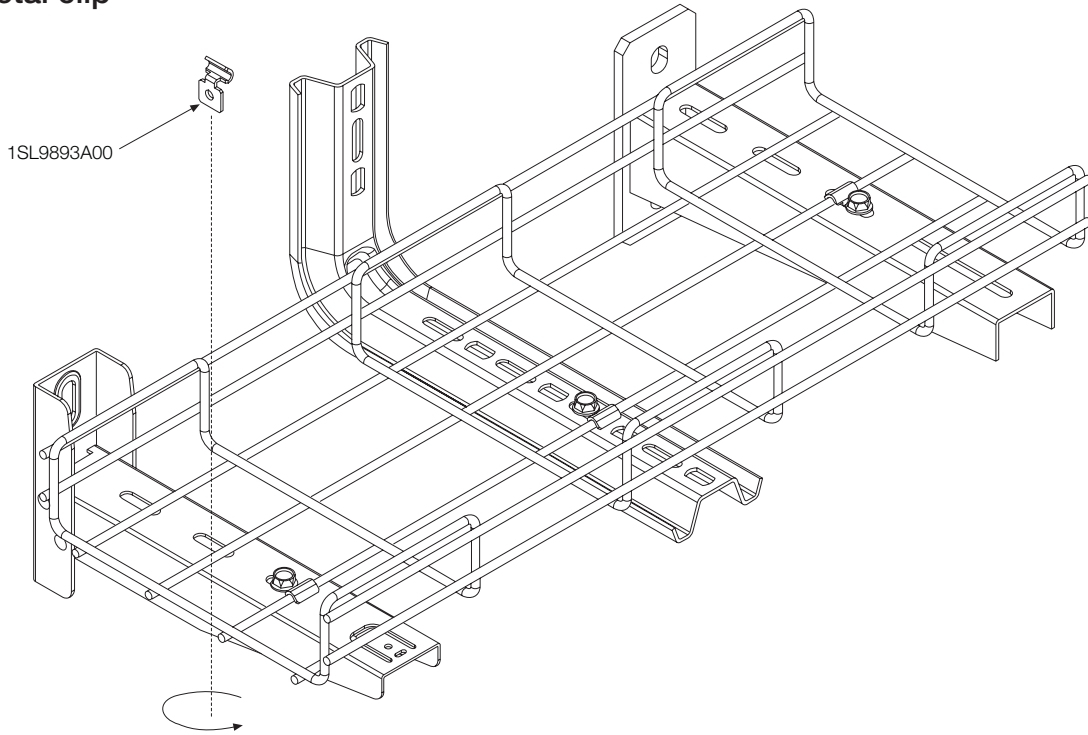
9



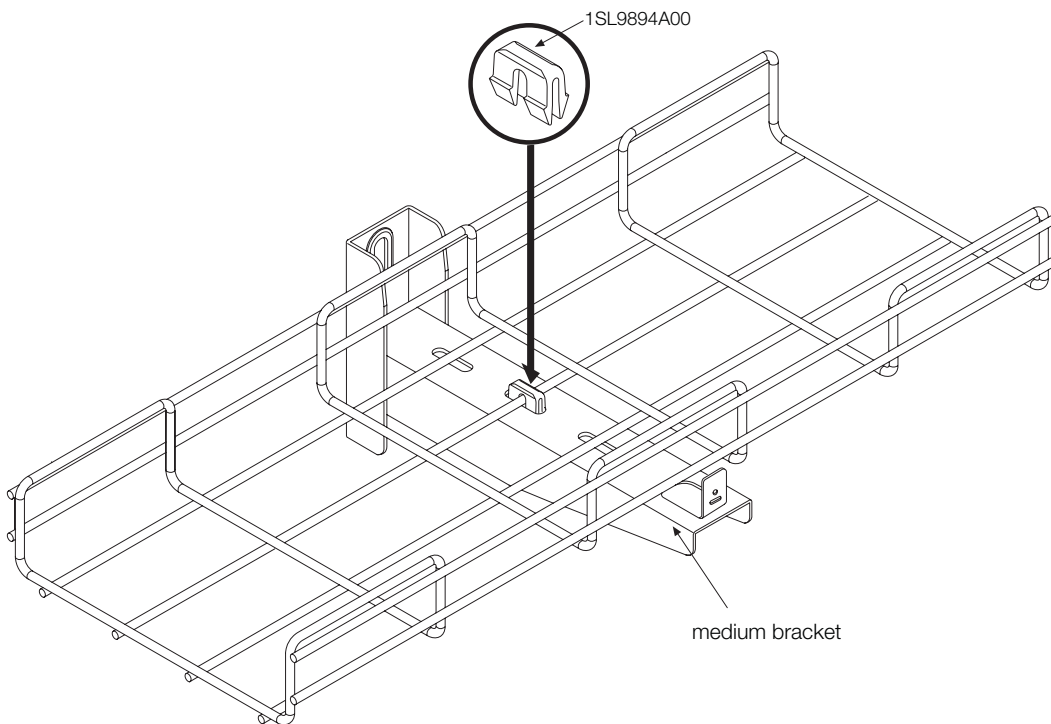
1SL9889A00

## Fastening clips

### Metal clip



### Plastic rapid clip



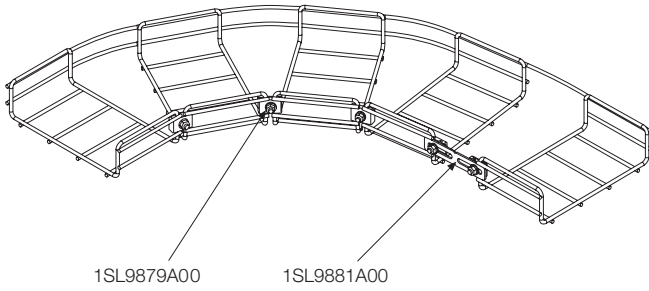
# Technical details and assembly instructions

## Assembly instructions for steel wire cable trays

### Large-radius bends with constant pitch

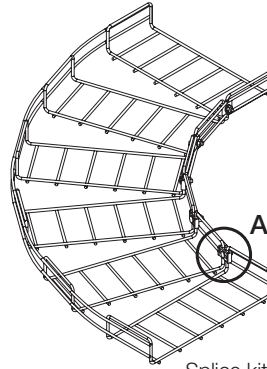
For cable trays B = 75-100-150-200-400-500 mm

For cable trays B = 300 mm



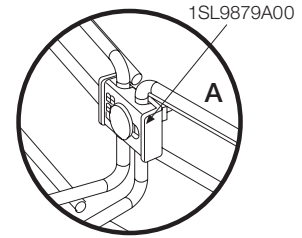
Splice kits for forming a bend

B (mm)	1SL9879A00	1SL9881A00
75	--	2
100	1	1
150	2	1
200	3	1
300	See table on the right	
400	6	1
500	7	1



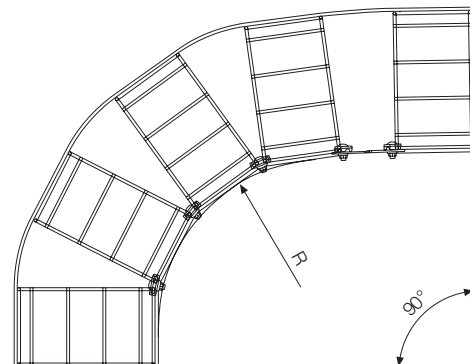
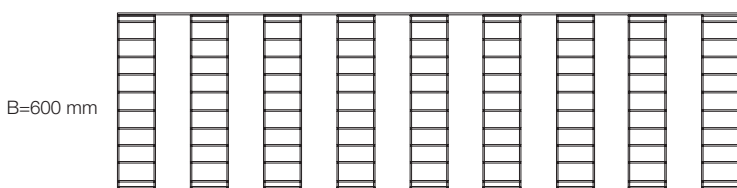
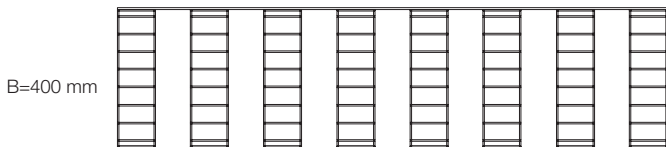
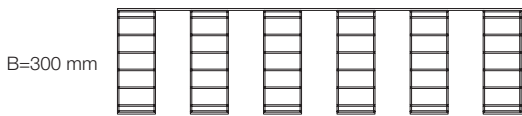
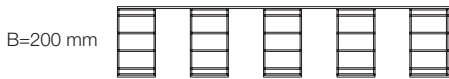
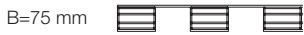
Splice kits for forming a bend

B (mm)	1SL9879A00
300	5



## 9

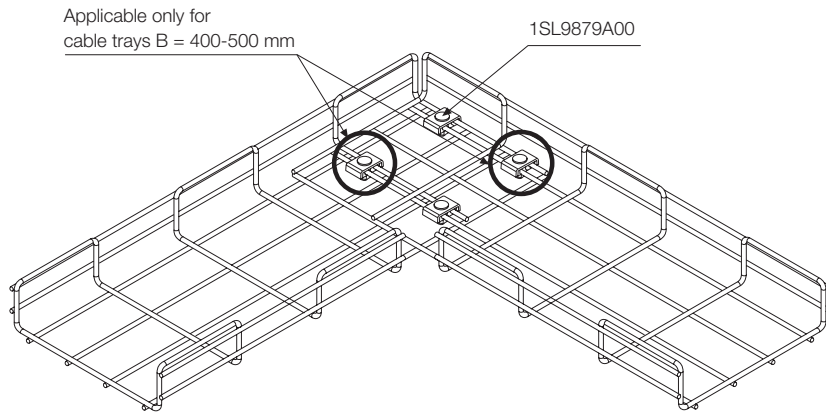
### Cutting schemes for the preparation of bends



B (mm)	Minimum R (mm)
75	182
100	125
150	157
200	232
300	355
400	483
500	607

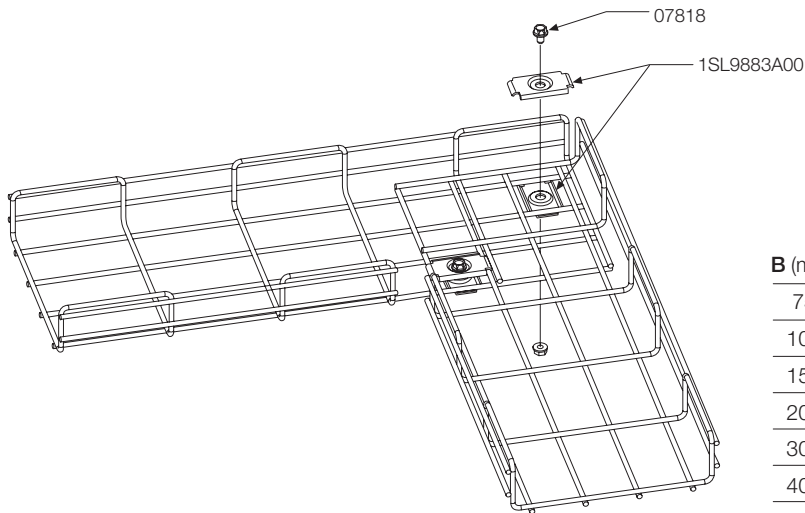


## 90° bends



Splice kits for bend

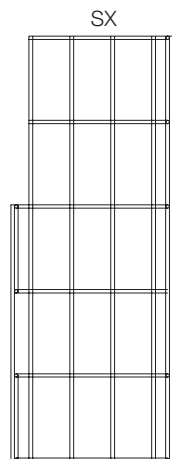
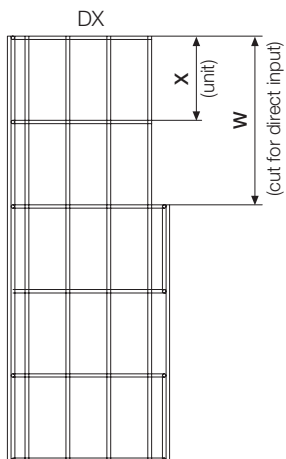
B (mm)	1SL9879A00
75	1
100	2
150	2
200	2
300	3
400	4
500	4



Splice kits for bend

B (mm)	1SL9883A00	07818
75	2	1
100	2	1
150	2	1
200	4	2
300	4	2
400	6	3
500	6	3

## Cuts required by fitting type and wire basket dimensions



No. of "X" units to be cut

B (mm)	W
75	1
100	1
150	2
200	2
300	3
400	4
500	5

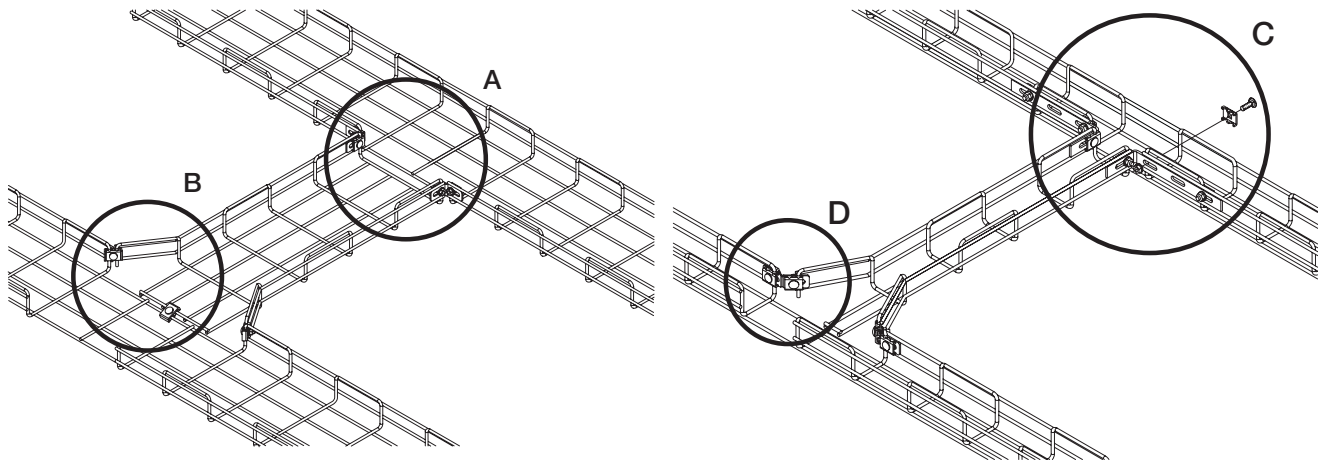
# Technical details and assembly instructions

## Assembly instructions for steel wire cable trays

### T-Fitting with straight fitting or reducing fitting

For cable trays B = 100-200-300-400-500 mm

For cable trays B = 75-150 mm



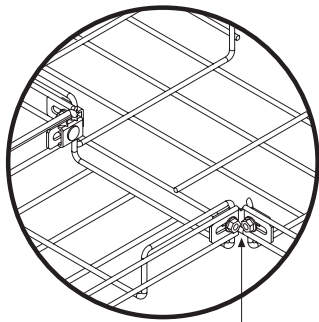
#### Fitting types

A - Straight fitting

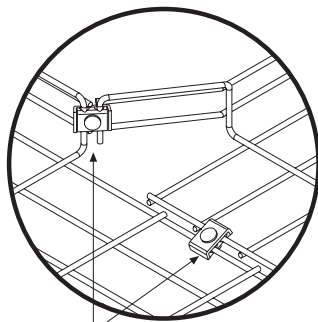
B - Reducer

C - Straight fitting  
B = 75 mm

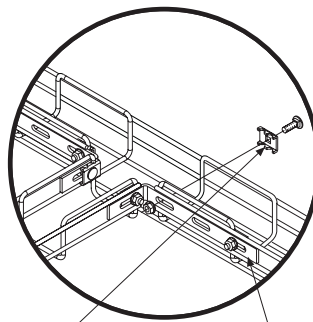
D - Reducer for  
B = 75 mm



1SL9881A00  
90° bent

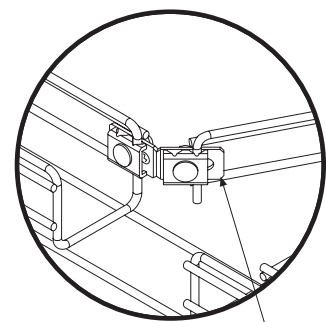


1SL9879A00



1SL9884A00

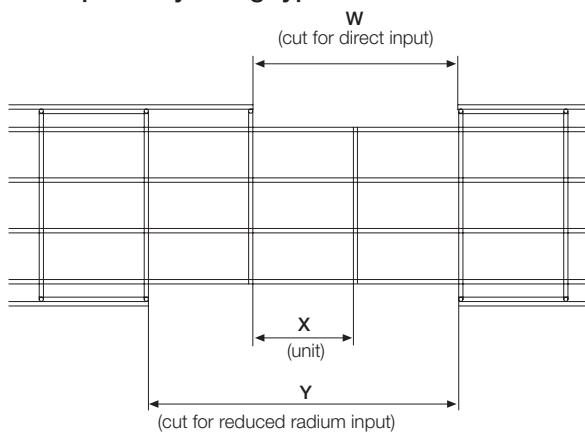
1SL9882A00



1SL9881A00

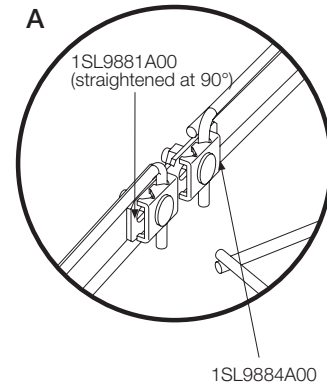
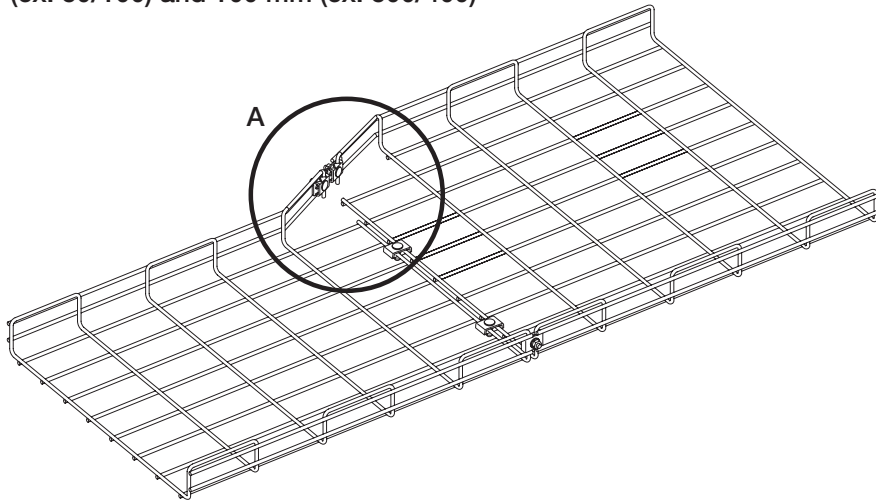
9

#### Cuts required by fitting type and wire basket dimensions

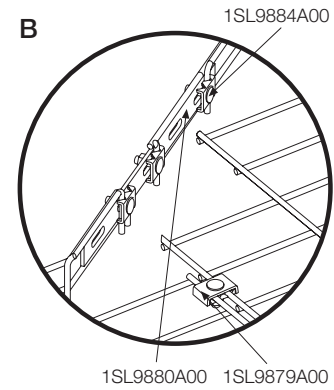
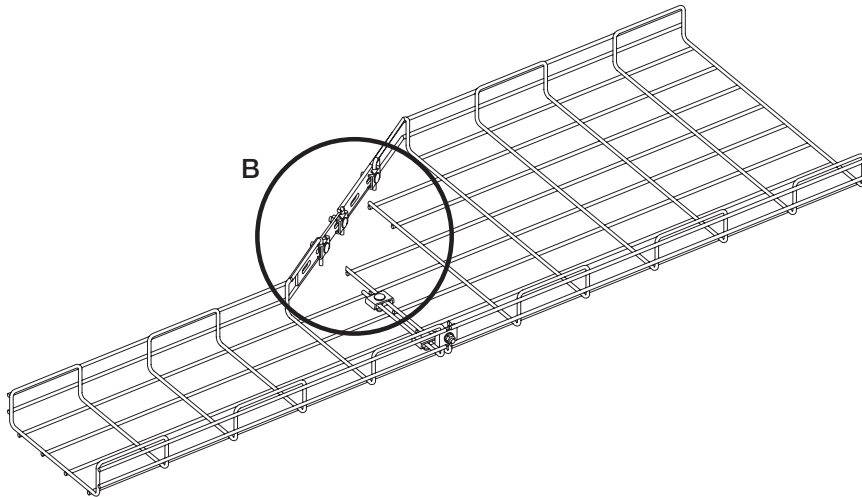


B (mm)	N° of "X" units to be cut	
	W	Y
75	1	2
100	1	2
150	2	3
200	2	3
300	3	4
400	4	5
500	5	6

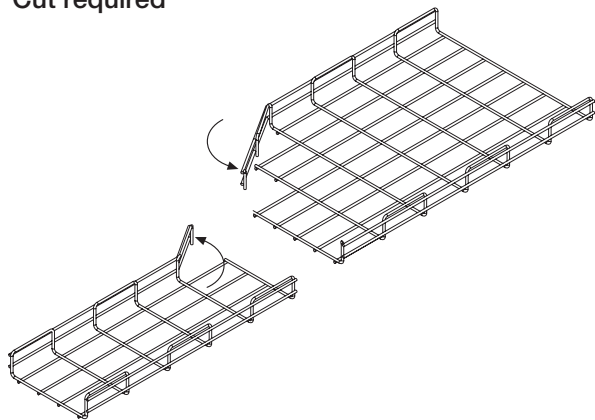
For 50 mm reducers  
(ex. 50/100) and 100 mm (ex. 500/400)



For 75 mm reducers  
(ex. 150/75), 150 mm (ex. 300/150) and 200 mm (ex. 400/200)



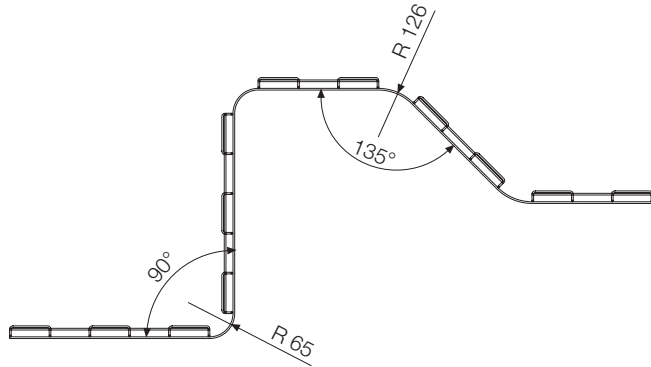
Cut required



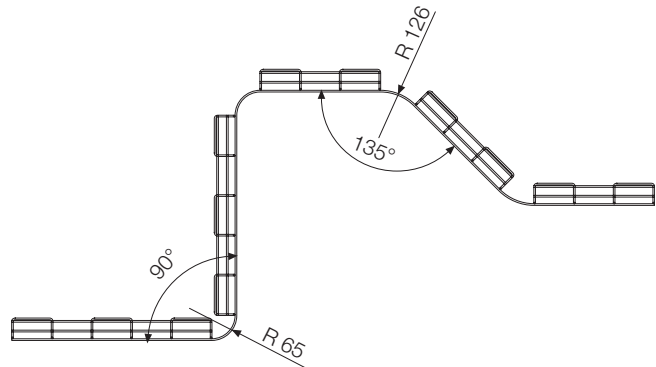
# Technical details and assembly instructions

## Assembly instructions for steel wire cable trays

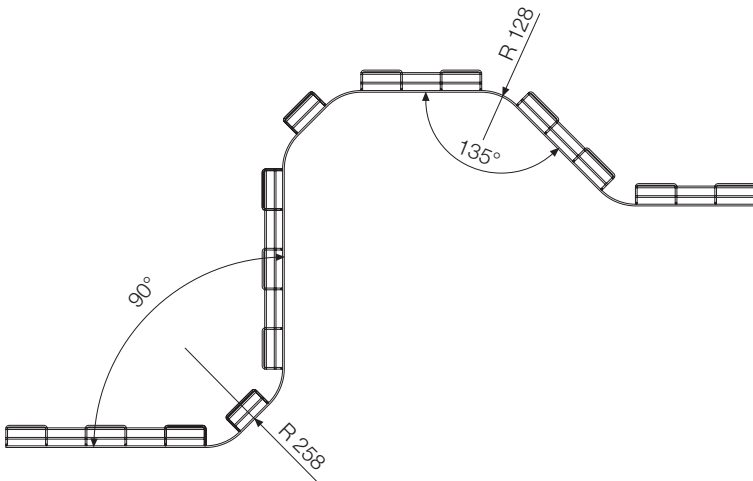
Wire Basket H 35 mm



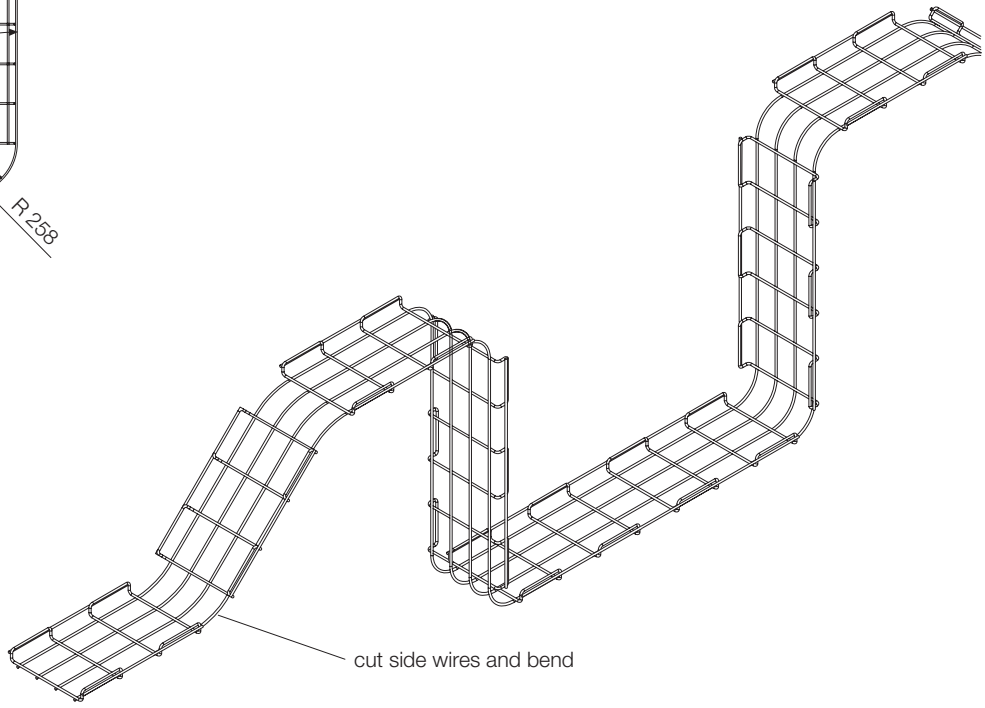
Wire Basket H 50 mm



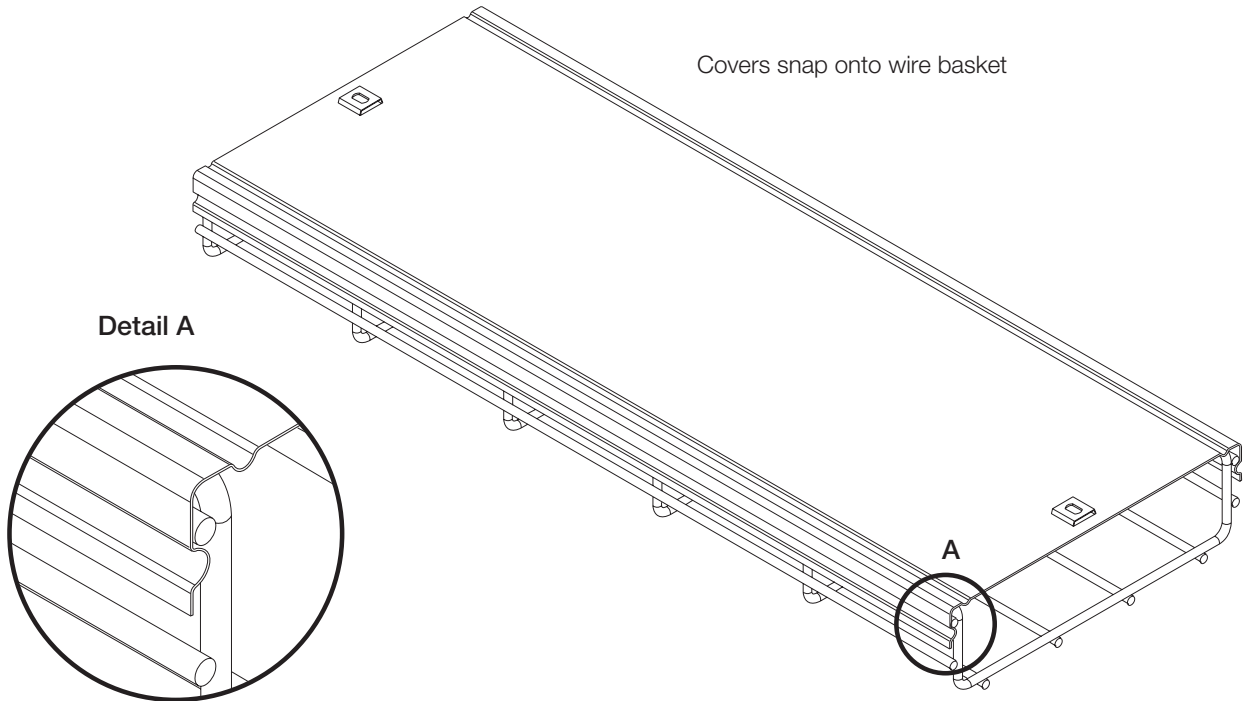
Wire Basket H 75 mm



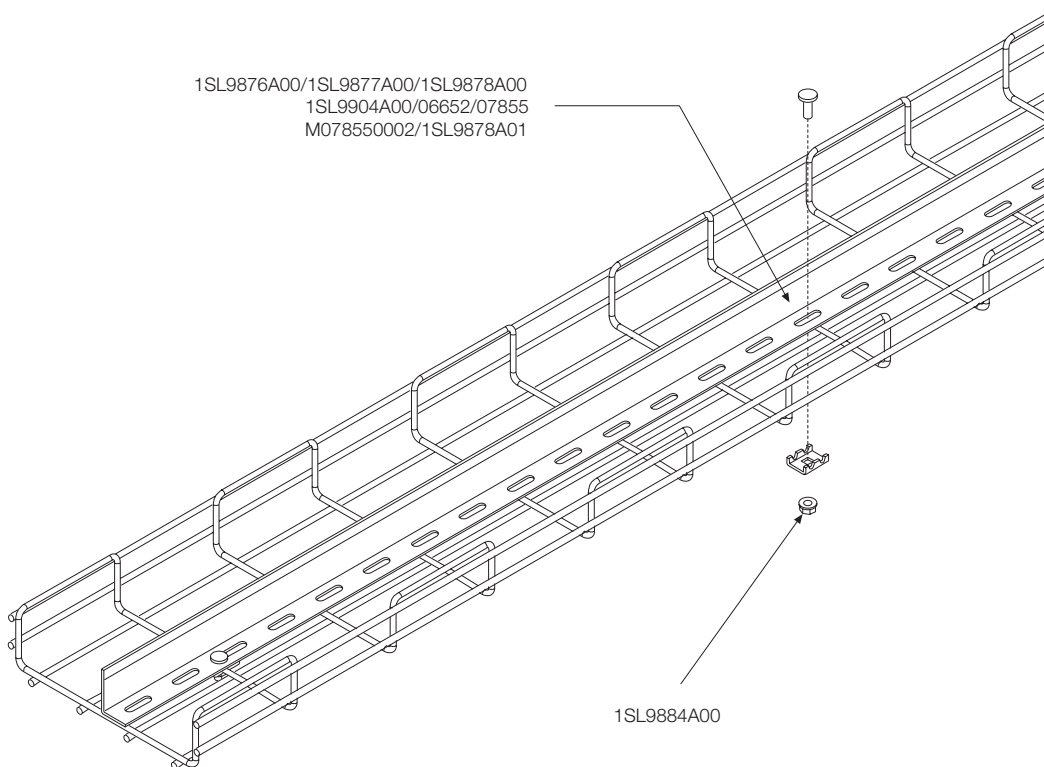
9



## Covers

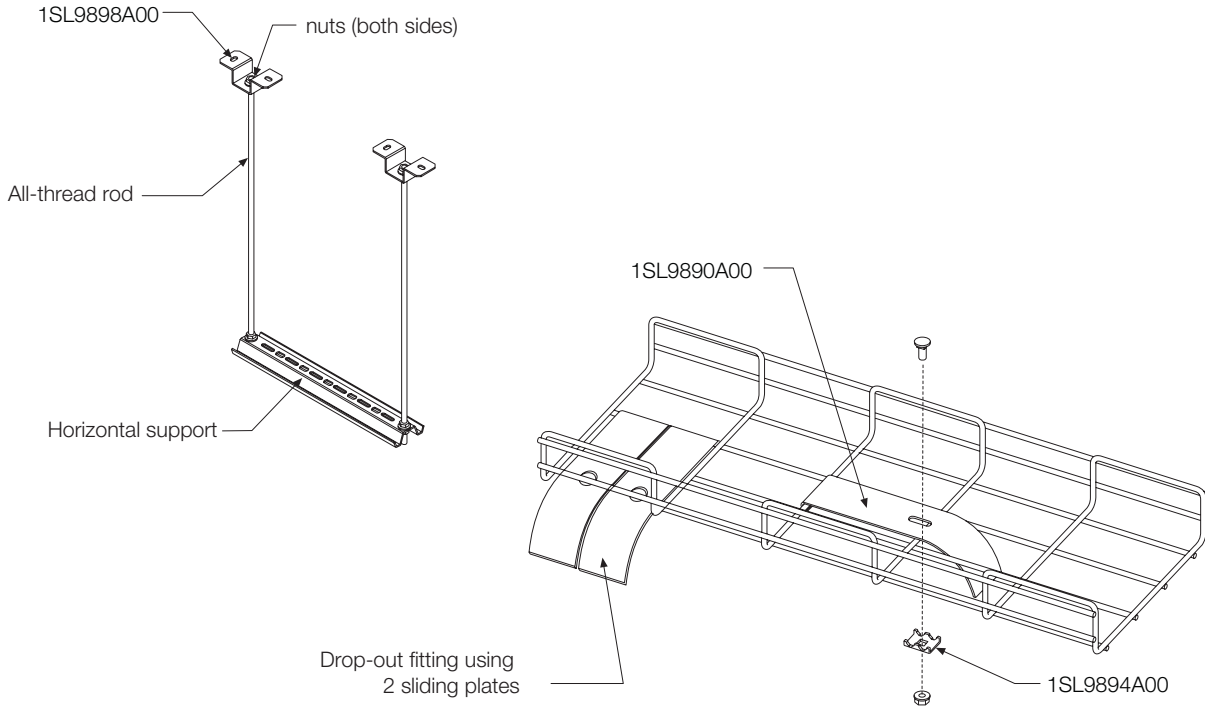


## Dividers

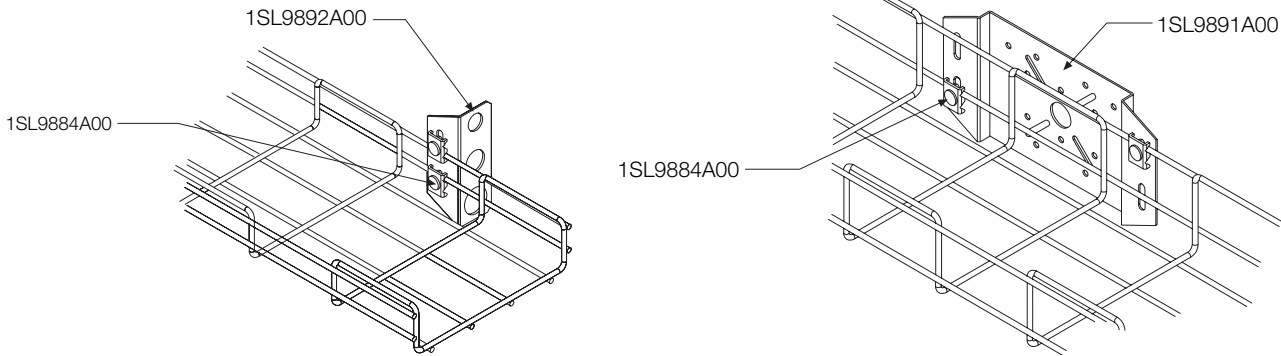


# Technical details and assembly instructions

## Assembly instructions for steel wire cable trays



9



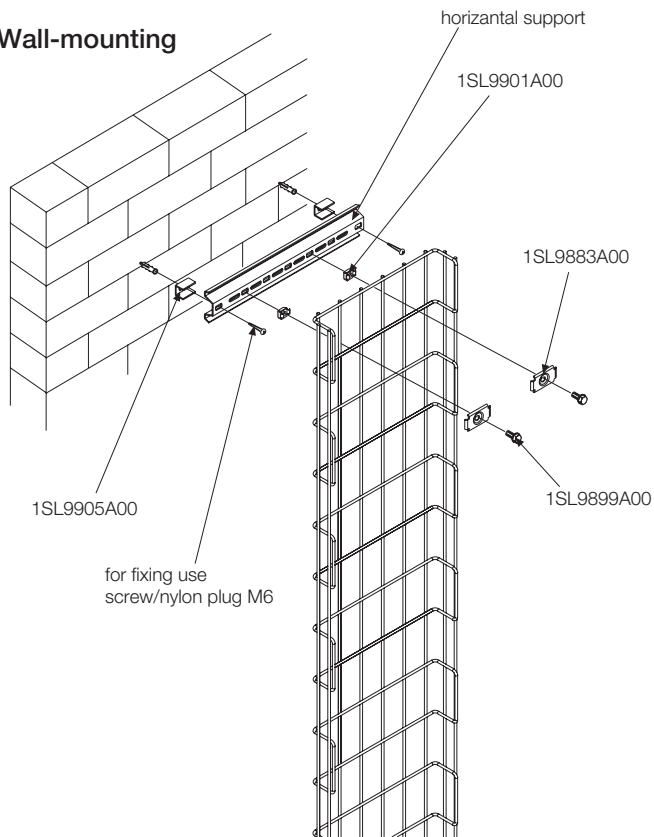
# Technical details and assembly instructions

## Mounting examples

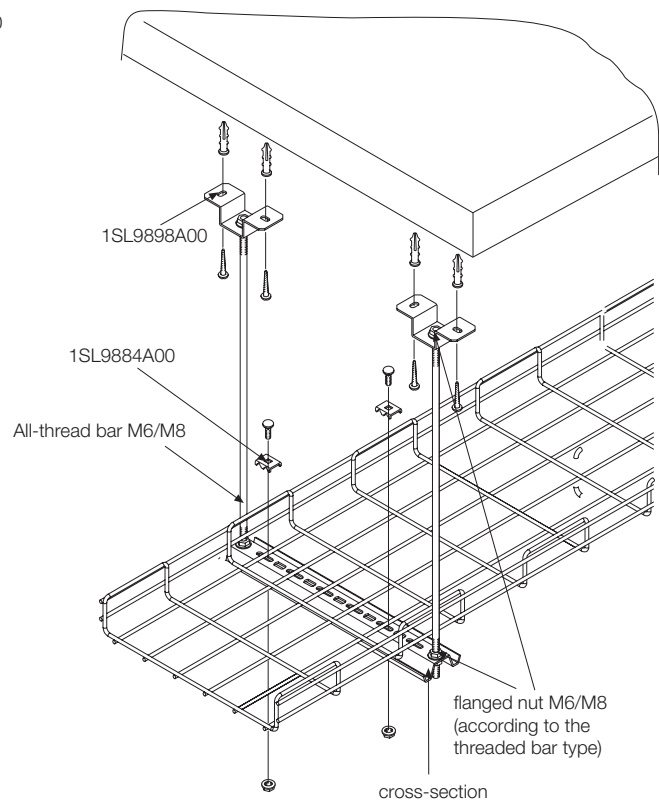
### Suspension systems for steel wire basket

#### Installation with cross-sections

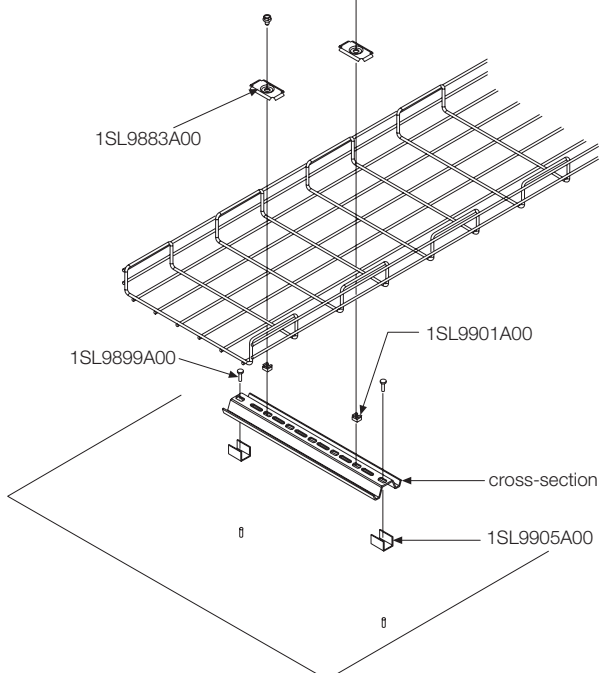
##### Wall-mounting



##### Ceiling-mounting



##### Floor-mounting



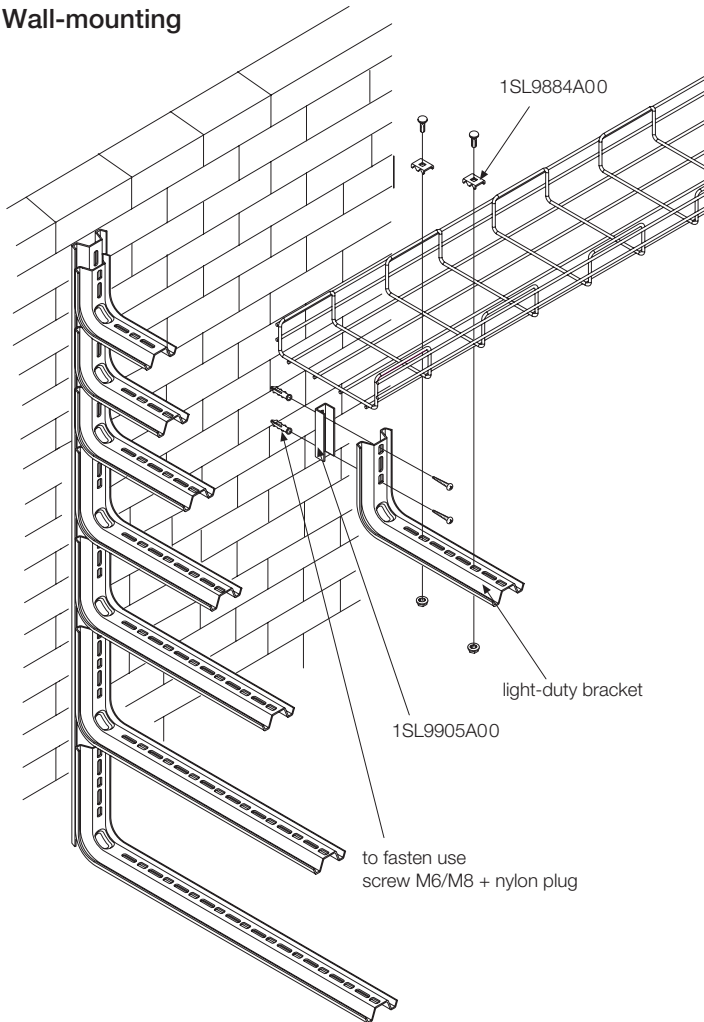
# Technical details and assembly instructions

## Mounting examples

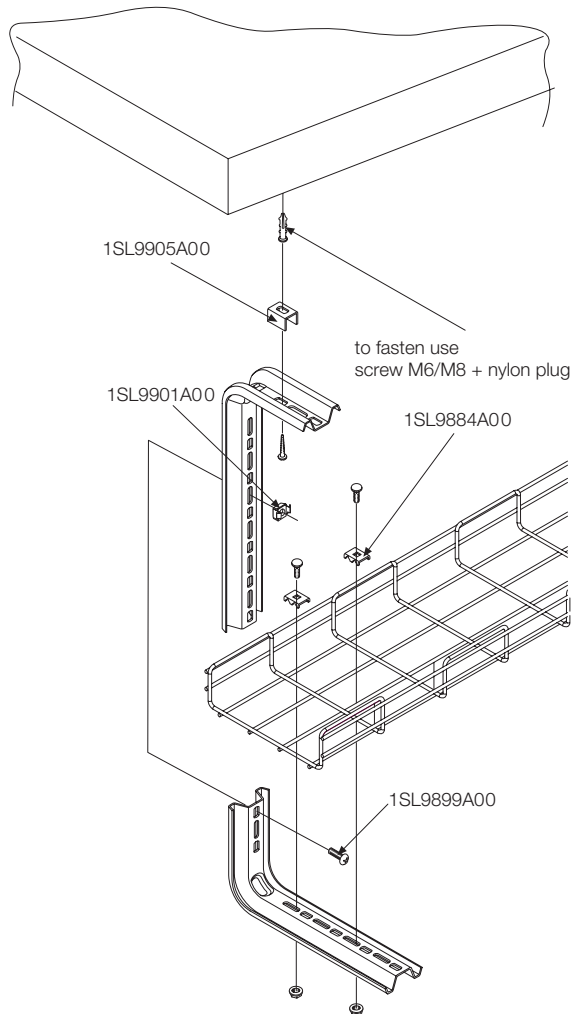
### Suspension systems for steel wire basket

#### Installation with light-duty brackets

##### Wall-mounting



##### Ceiling-mounting



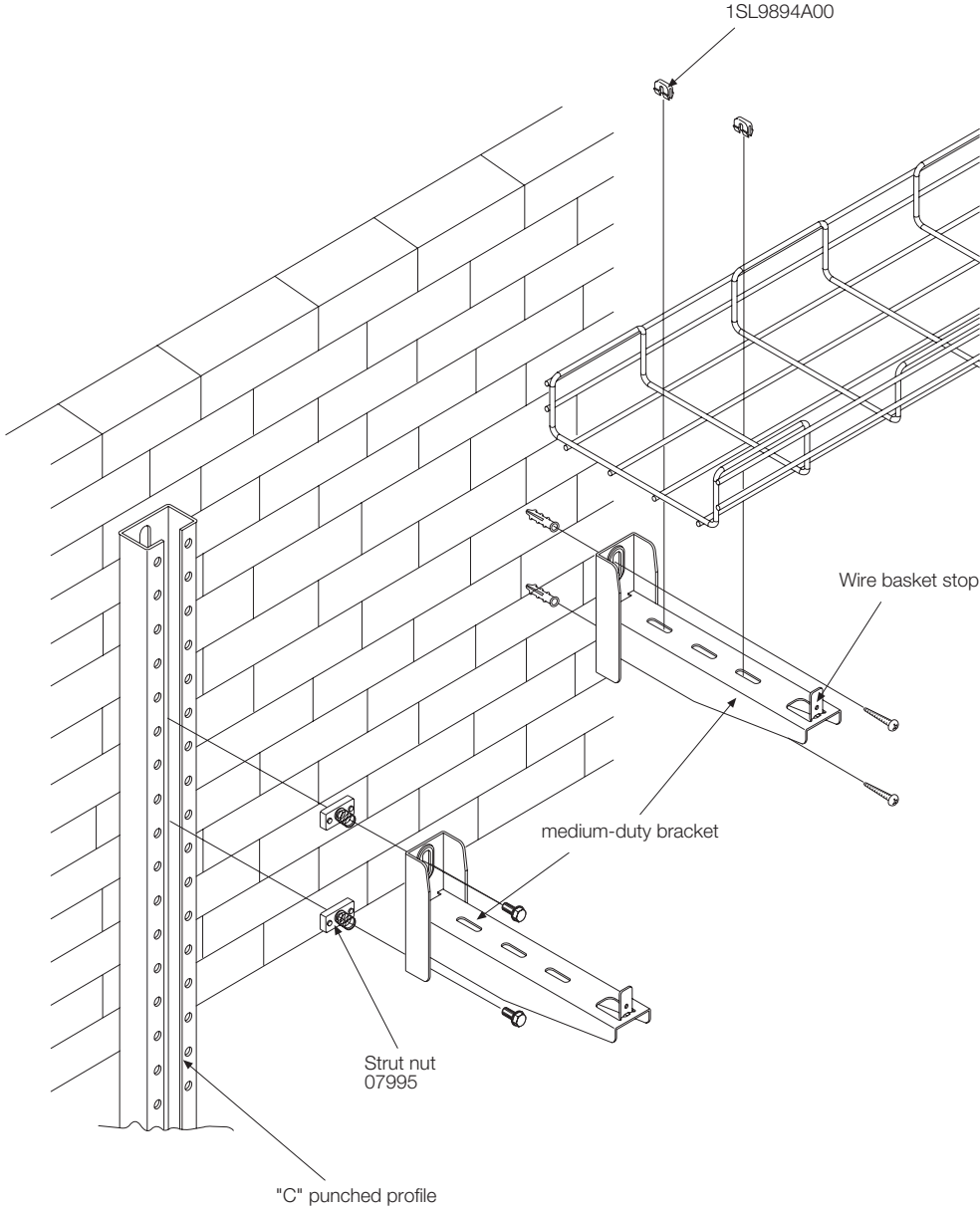
Note. Suggested installation only.



# Suspension systems for steel wire basket

## Installation with medium-duty brackets

### Wall-mounting



**Note.** Suggested installation only.

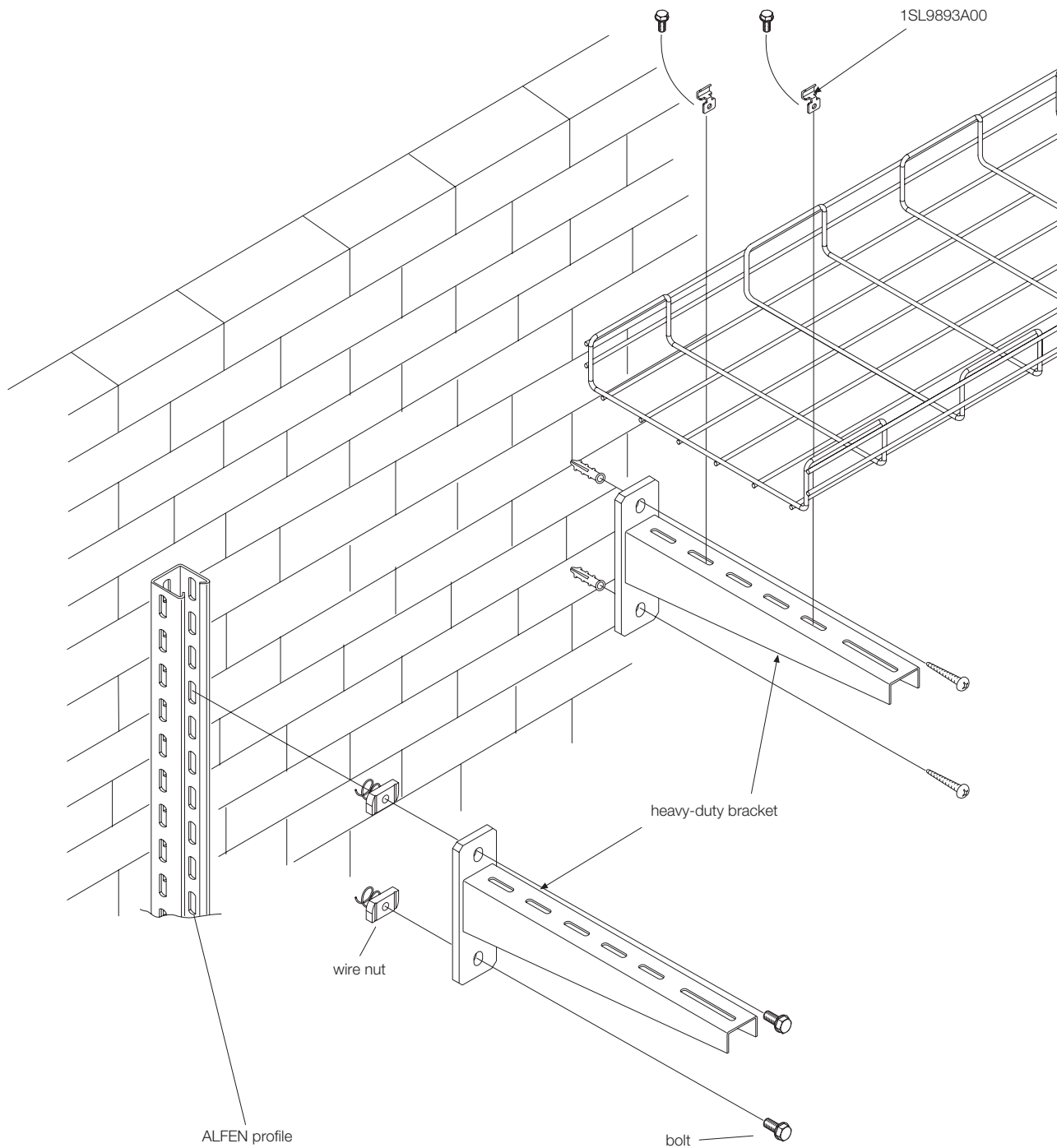
# Technical details and assembly instructions

## Mounting examples

### Suspension systems for steel wire basket

#### Installation with heavy-duty brackets

##### Wall-mounting



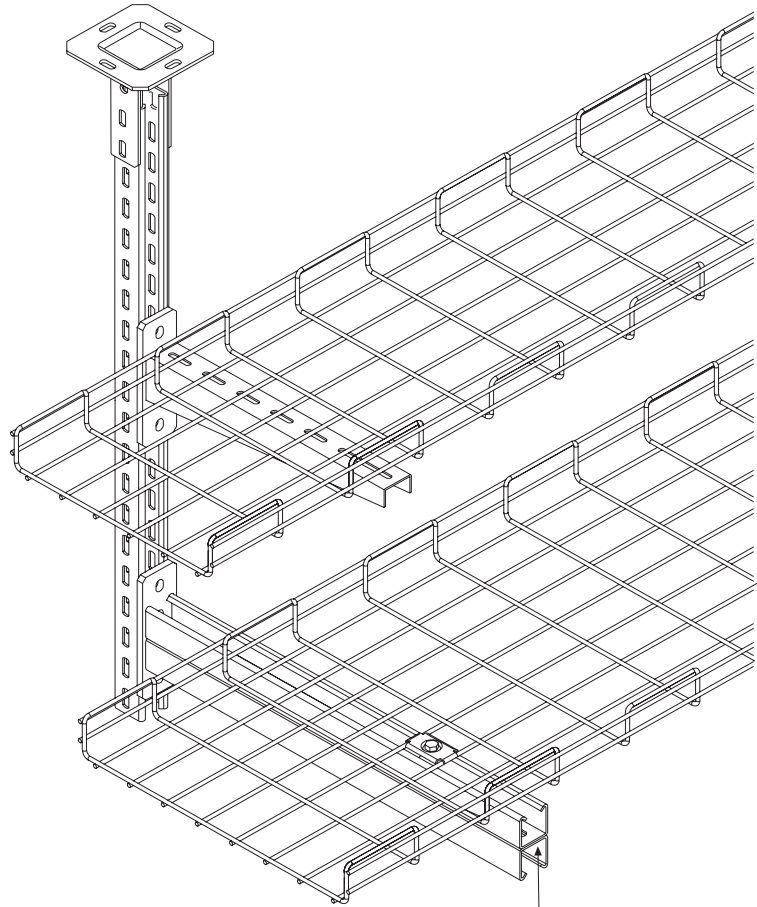
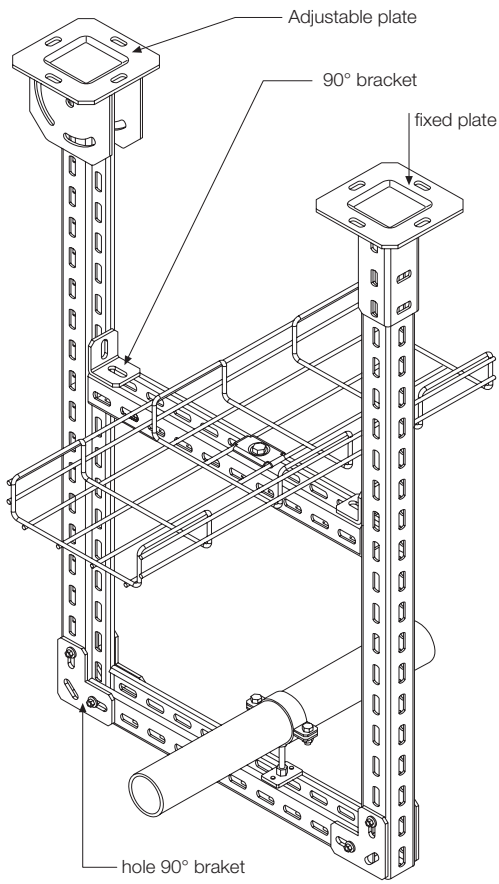
9

**Note.** Suggested installation only.

1SLC2810010F6901

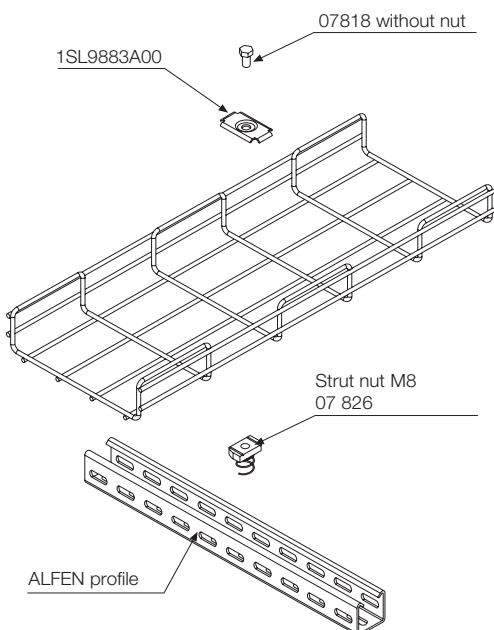
## Suspension systems for steel wire basket

### Preparation of a heavy-duty system



heavy-duty bracket with double ALFEN profile

### Cable tray fixing on ALFEN profile

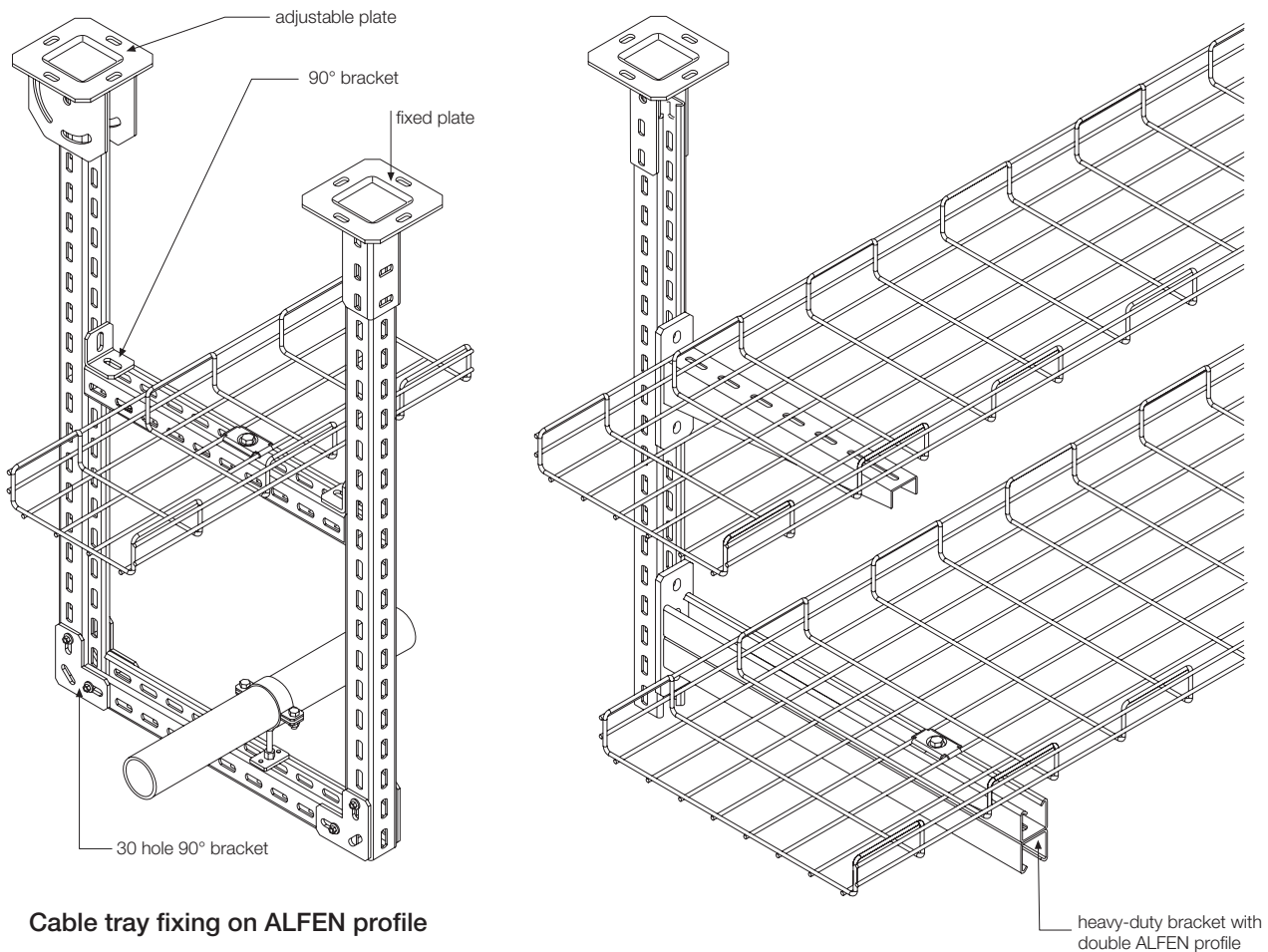


# Technical details and assembly instructions

## Mounting examples

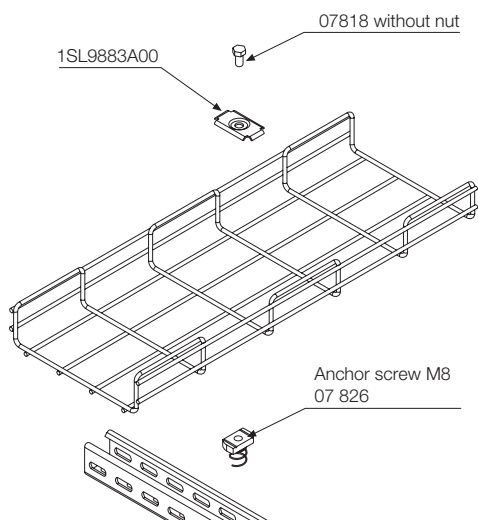
### Suspension systems for steel wire W.B.

#### Preparation of a heavy-duty system



9

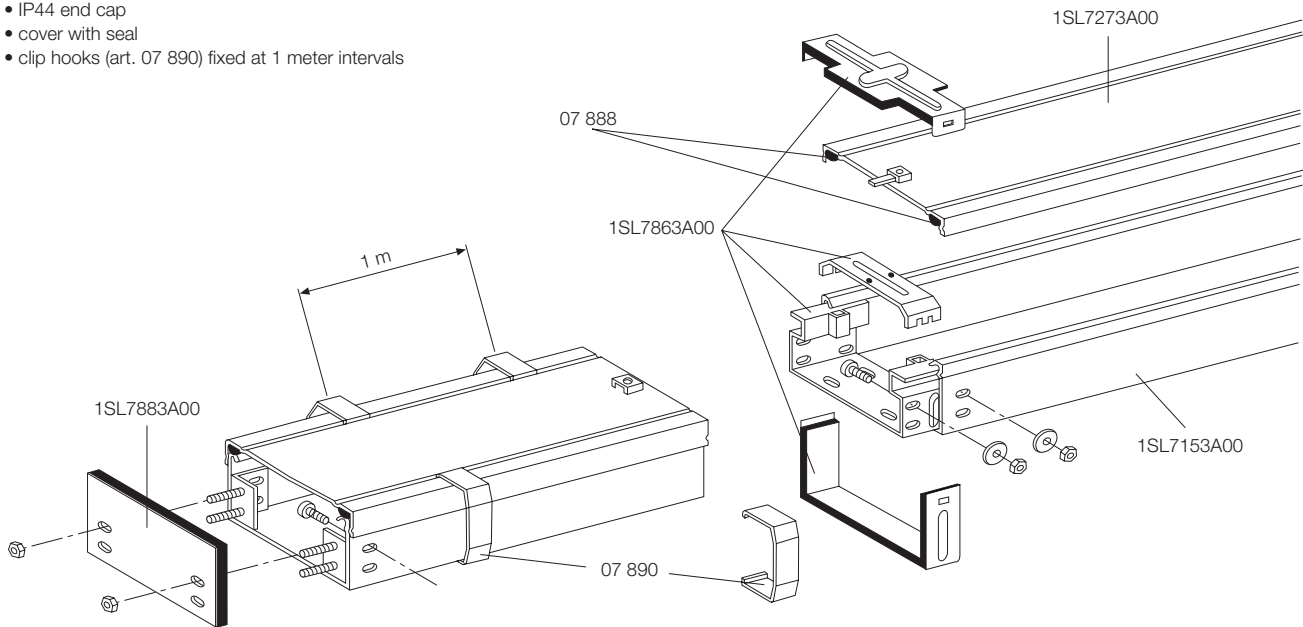
#### Cable tray fixing on ALFEN profile



## Sendzimir trunkings H 75

### Mounting system for IP44 trunking

- IP44 joint
- IP44 end cap
- cover with seal
- clip hooks (art. 07 890) fixed at 1 meter intervals

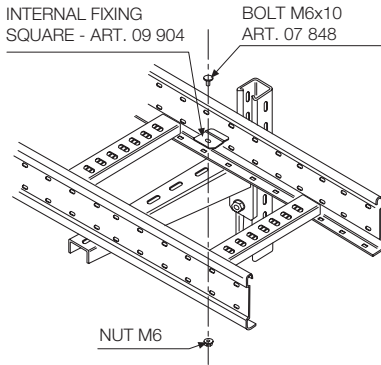


# Technical details and assembly instructions

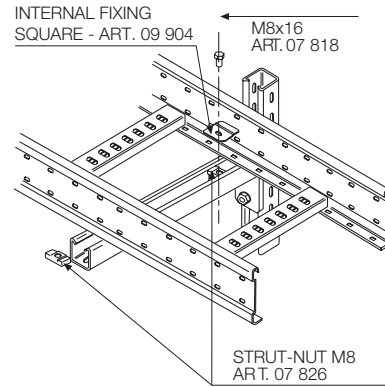
## Mounting examples

### Hot dip galvanised after production cable trays

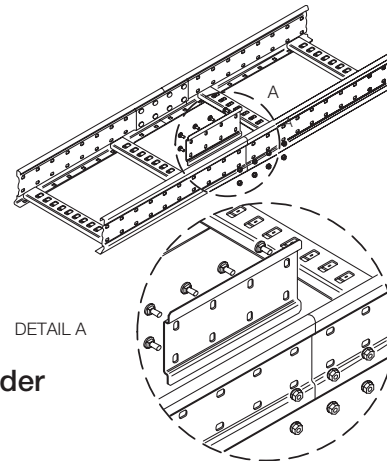
#### Mounting a cable ladder on heavy brackets



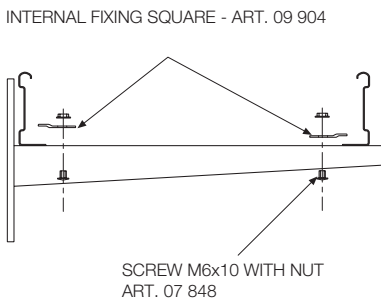
#### Mounting a cable ladder on Alfien brackets



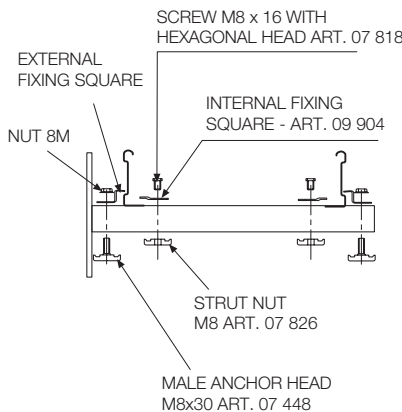
#### Straight joint of a cable ladder and closed/punched base art. 09 760-09 763-09 766



#### Scheme for fixing a cable ladder on heavy brackets

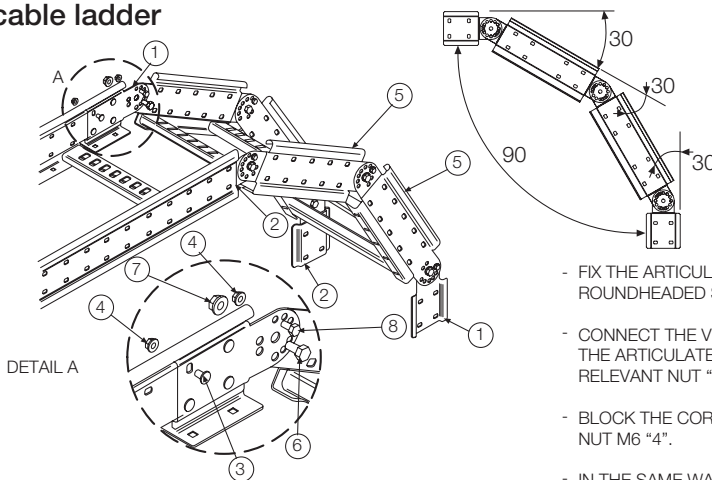


#### Scheme for fixing a cable ladder on Alfien profile brackets



9

### Instructions for mounting vertical inside/vertical outside rider articulated corner of cable ladder



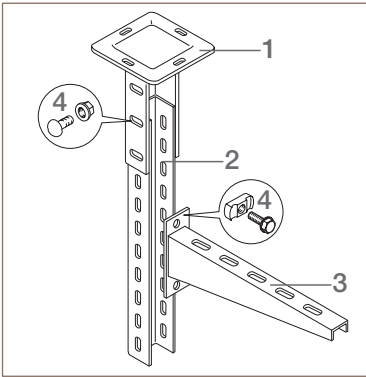
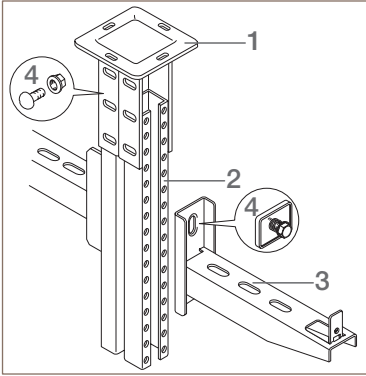
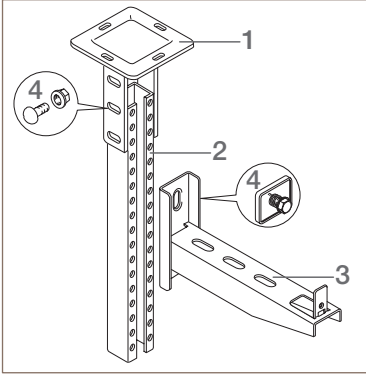
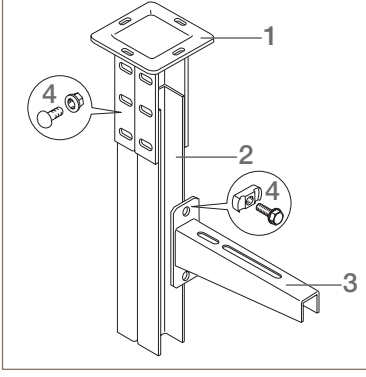
- FIX THE ARTICULATE JOINTS "1" - "2" TO THE CABLE LADDER WITH THE APPROPRIATE ROUNDHEADED SCREWS "3" AND NUTS "4".
- CONNECT THE VERTICAL INSIDE/VERTICAL OUTSIDE RIDER ARTICULATED CORNER "5" TO THE ARTICULATED JOINT USING, AS A PIN, HEXAGONAL HEAD SCREWS M8x16 "6" AND THE RELEVANT NUT "7".
- BLOCK THE CORNER TO THE JOINT WITH THE HEXAGONAL HEAD SCREWS M6x12 "8" AND NUT M6 "4".
- IN THE SAME WAY CONNECT THE TWO VERTICAL INSIDE/VERTICAL OUTSIDE RIDER ARTICULATED CORNERS "5" ONE TO THE OTHER

1SLC00050F0001

# Technical details and assembly instructions

## Guide to selecting suspension systems for industrial trunking

### Guide to selecting suspension systems for trunkings and cable trays

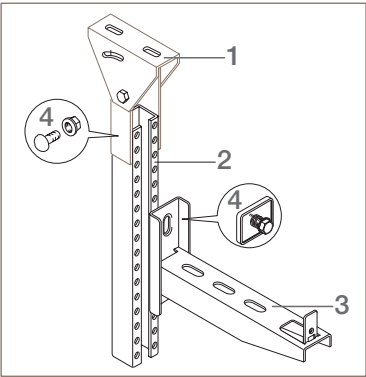
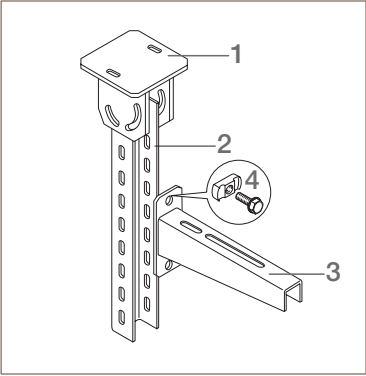
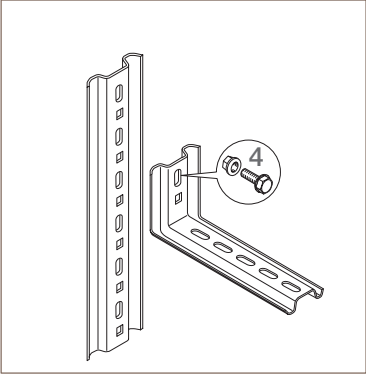
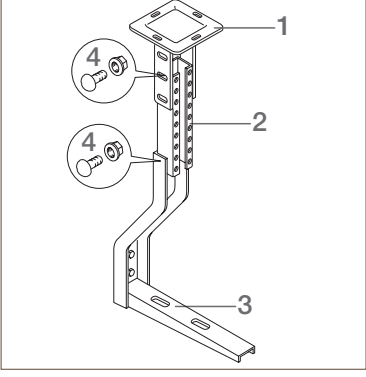
Mounting example	1 Base plates	2 Profiles	3 Brackets	4 Fastening components
	07 984	"U" punched 07 956 07 926 1SL9895A00 1SL9896A00 1SL9897A00	07 785 - 07 786 - 07 787 07 788 - 07 789 - 07 790 09 770 - 09 771 - 09 772 09 773 - 09 774 - 09 775 09 776 - 09 777 - 09 778 09 779	plates - profiles Screw 07 849 with nut Screw 07 818 with nut Screw 07 448 with nut  brackets - profiles Screw 07 851 with anchorage nut
	07 988 - 1SL7989A00 08 852	"C" 07 992 - 1SL7993A00 08 861	07 901 - 07 902 - 07 903 07 904 - 07 905 - 07 906 07 907 - 1SL7911A00 1SL7912A00 - 1SL7912A00 1SL7914A00 - 1SL7915A00 1SL7916A00 - 1SL7917A00  08 901 - 08 902 - 08 903 08 904 - 08 905 - 08 906 08 907	plates - profiles Screw 07 849 with nut Screw 07 818 with nut  brackets - profiles Blocking plate 07 995
	07 986 - 1SL7987A00 08 851	"C " 07 992 - 1SL7993A00 08 861	07 901 - 07 902 - 07 903 07 904 - 07 905 - 07 906 07 907 - 1SL7911A00 1SL7912A00 - 1SL7912A00 1SL7914A00 - 1SL7915A00 1SL7916A00 - 1SL7917A00  08 901 - 08 902 - 08 903 08 904 - 08 905 - 08 906 08 907	plates - profiles Screw 07 849 with nut Screw 07 818 with nut  brackets - profiles Blocking plate 07 995
	07 949 With bolts for attaching profile	"U" punched 07 927	07 785 - 07 786 - 07 787 07 788 - 07 789 - 07 790 09 770 - 09 771 - 09 772 09 773 - 09 774 - 09 775 09 776 - 09 777 - 09 778 09 779	plates - profiles -  mensole - pr ofili Screw 07 851 with anchorage nut

1SLC8064F0301

# Technical details and assembly instructions

## Guide to selecting suspension systems for industrial trunking

### Guide to selecting suspension systems for trunkings and cable trays

Mounting example	1 Base plates	2 Profiles	3 Brackets	4 Fastening components
	07 990 - 1SL7991A00 - 08 853 With bolts for attaching profile	"C" 07 992 - 1SL7993A00 - 08 861	07 901 - 07 902 - 07 903 07 904 - 07 905 - 07 906 07 907 - 1SL7911A00 1SL7912A00 - 1SL7913A00 1SL7914A00 - 1SL7915A00 1SL7916A00 - 1SL7917A00  08 901 - 08 902 - 08 903 08 904 - 08 905 - 08 906 08 907	plates - profiles -  brackets - profiles Blocking plate 07 995
	07 985 With bolts for attaching profile	"U" punched 07 956 1SL9895A00 1SL9896A00	07 785 - 07 786 - 07 787 07 788 - 07 789 - 07 790 09 770 - 09 771 - 09 772 09 773 - 09 774 - 09 775 09 776 - 09 777 - 09 778 09 779	plates - profiles -  brackets - profiles Screw 07 851 with anchorage nut
	-	light-duty 07 960	07 671 - 07 672 - 07 673 07 674 - 07 675 - 07 676 07 677 - 1SL7681A00 1SL7682A00 - 1SL7683A00 1SL7684A00 - 1SL7685A00 1SL7686A00 - 1SL7687A00  08 881 - 08 882 - 08 883 08 884 - 08 885 - 08 886 08 887	plates - profiles -  brackets - profiles Screw 07 818 with nut Screw 07 849 with nut
	07 986 - 1SL7987A00 - 08851	"C" 07 992 - 1SL7993A00 - 08 861	07 908 - 07 909 - 1SL7918A00 1SL7919A00 - 08 811 - 08 812	plates - profiles Screw 07 849 with nut Screw 07 818 with nut  mensole - profiles Screw 07 849 with nut Screw 07 818 with nut



# Overall dimensions

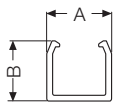
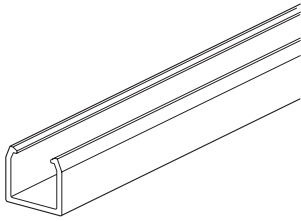
Mini-trunking	<b>10/2</b>
Feeder and cable trunking	<b>10/7</b>
Design styled cable trunking	<b>10/12</b>
Skirting and dado trunking	<b>10/16</b>
Floor trunking	<b>10/20</b>
Halogen free wiring ducts	<b>10/22</b>
Thermoplastic wiring ducts	<b>10/24</b>
Passerelle in filo d'acciaio	<b>10/26</b>
Steel wire cable trays	<b>10/28</b>
Sendzimir trunking H 50	<b>10/30</b>
Sendzimir trunking H 75	<b>10/34</b>
Cable trays - hot dip Galvanized after fabrication	<b>10/41</b>
Suspension systems for industrial trunking	<b>10/46</b>

# Overall dimensions

## Mini-trunking

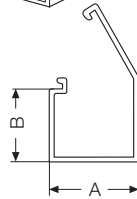
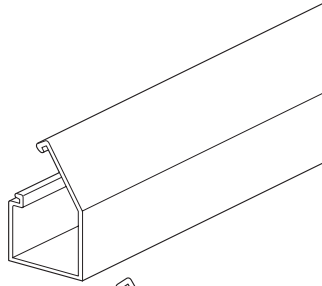
### Self-adhesive mini-trunking

Mini-trunking without cover



article	A	B
41 010	7,5	7
41 015	10	9
41 020	12	11

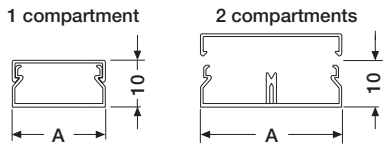
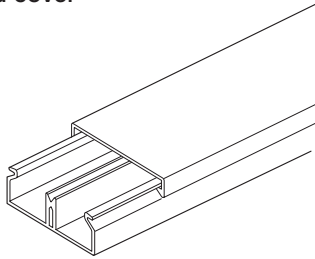
Mini-trunking with hinged cover



article	A	B
41 040	9	4,5
41 045	12,5	7
41 050	12,5	12,5
41 055	17	17

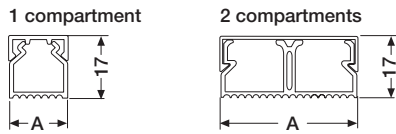
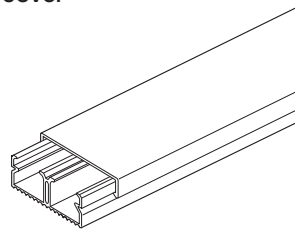
## Mini-trunking

Mini-trunking H 10 with standard cover



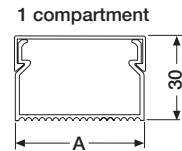
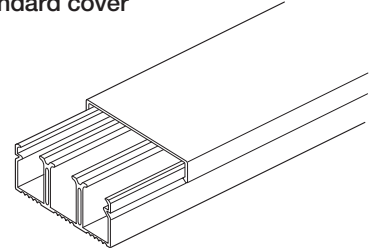
article	compartment	A
41 080	1	20
41 081	2	20
41 083	1	30
41 084	2	30

Mini-trunking H 17 with standard cover



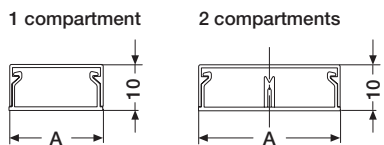
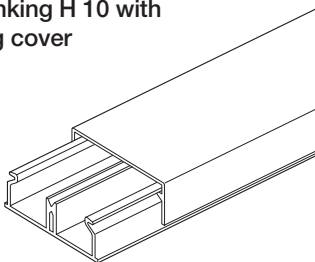
article	compartment	A
41 110 - 01 160 - 01 180	1	15
41 091	1	30
41 092	2	40
41 093	3	60

Mini-trunking H 30 with standard cover



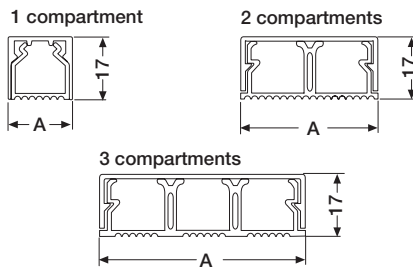
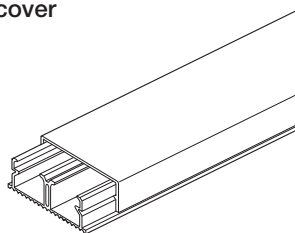
article	compartment	A
01 117	1	25
01 119	1	40

Mini-trunking H 10 with adhering cover



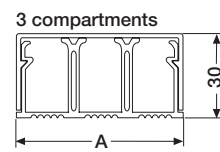
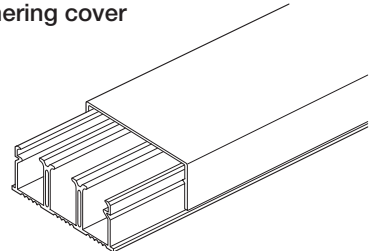
article	compartment	A
41 101 - 01 151 - 01 171	1	20
01 102	2	20
01 103	1	30
01 104	2	30
01 106	2	40

Mini-trunking H 17 with adhering cover



article	compartment	A
41 111	1	15
41 113 - 01 163 - 01 183	1	30
41 114	2	30
41 115	2	40
41 116	3	60

Mini-trunking H 30 with adhering cover



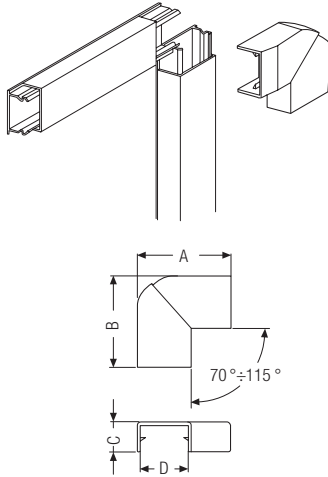
article	compartment	A
41 120	3	60

1SLC8002F0001

# Overall dimensions

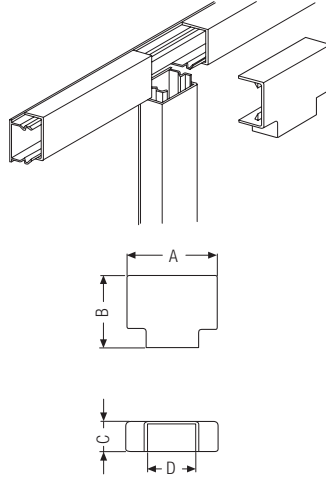
## Mini-trunking

### Adjustable flat corner



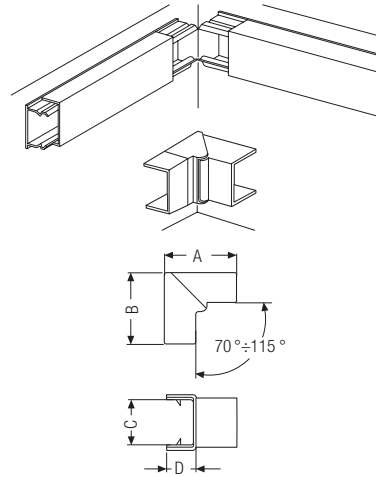
article	A	B	C	D
41 202 - 01 252 - 01 272	36	36	12	20
41 204	56	56	12	30
41 206	66	66	12	40
41 210 - 01 260 - 01 280	31	31	19	15
41 213 - 01 263 - 01 283	56	56	19	30
41 215	66	66	19	40
41 216	86	86	19	60
41 217	51	51	32	25
41 219	66	66	32	40
41 220	86	86	30	60

### Flat tee



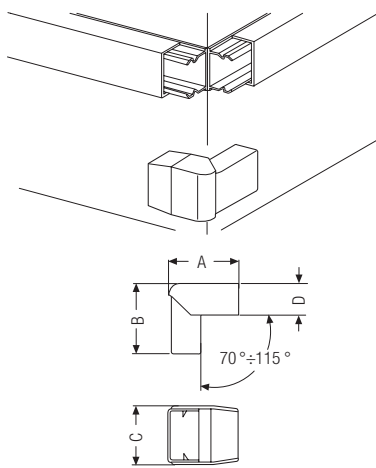
article	A	B	C	D
41 302 - 01 352 - 01 372	45	34	10	20
41 304	55	44	10	30
41 306	65	54	10	40
41 310 - 01 360 - 01 380	40	29	17	15
41 313 - 01 363 - 01 383	55	44	17	30
41 315	65	54	17	40
41 316	85	74	17	60
41 317	50	39	30	25
41 319	65	54	30	40
41 320	85	74	30	60

### Adjustable inside corner



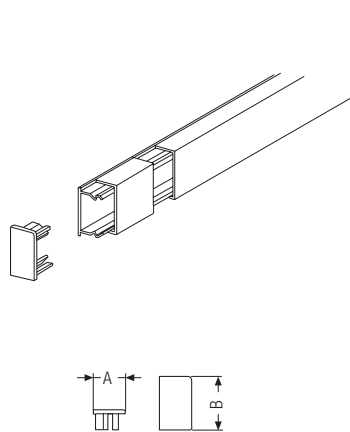
article	A	B	C	D
41 402 - 01 452 - 01 472	36	36	20	10
41 404	36	36	30	10
41 406	36	36	40	10
41 410 - 01 460 - 01 480	43	43	15	17
41 413 - 01 463 - 01 483	43	43	30	17
41 415	43	43	40	17
41 416	43	43	60	17
41 417	55	55	25	30
41 419	55	55	40	30
41 420	55	55	60	30

### Adjustable outside corner



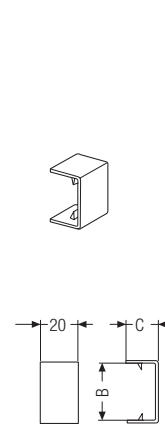
article	A	B	C	D
41 502 - 01 552 - 01 572	37	37	20	10
41 504	37	37	30	10
41 506	37	37	40	10
41 510 - 01 560 - 01 580	43	43	15	17
41 513 - 01 563 - 01 583	43	43	30	17
41 515	43	43	40	17
41 516	43	43	60	17
41 517	55	55	25	30
41 519	55	55	40	30
41 520	55	55	60	30

### End cap



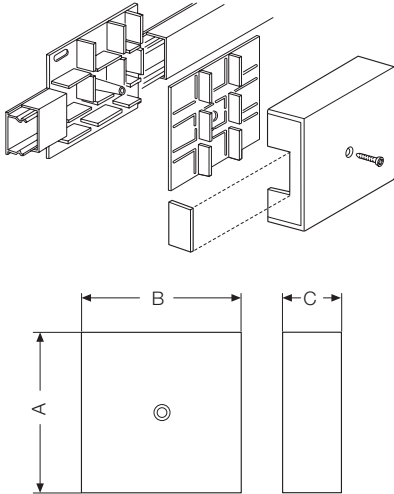
article	A	B
41 602 - 01 652 - 01 672	11	23
41 604	11	33
41 606	11	43
41 610 - 01 660 - 01 680	17	15
41 613 - 01 663 - 01 683	17	30
41 615	17	40
41 616	17	60
41 617	30	25
41 619	30	40
41 620	30	60

### Flat joint



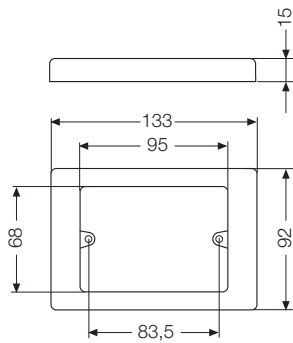
article	A	B
41 702 - 01 752 - 01 772	10	20
41 704	10	30
41 706	10	40
41 710 - 01 760 - 01 780	17	15
41 713 - 01 763 - 01 783	17	30
41 715	17	40
41 716	17	60
41 717	30	25
41 719	30	40
41 720	30	60

### Box for flat branch connections



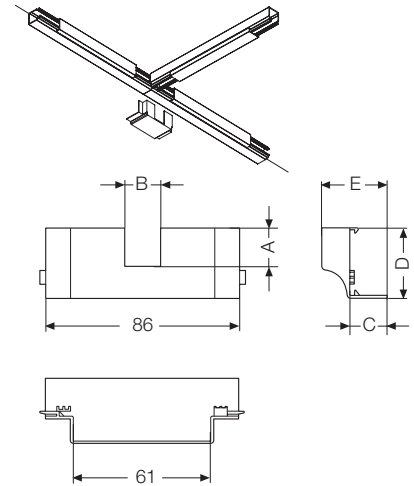
article	A	B	C
41 800 - 01 802 - 01 801	85	85	26
41 803 - 01 804 - 01 805	99	99	33

### Frame for flush-mounting box



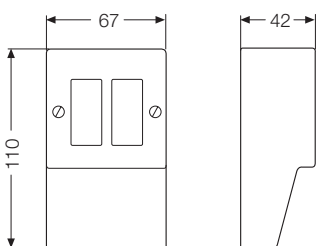
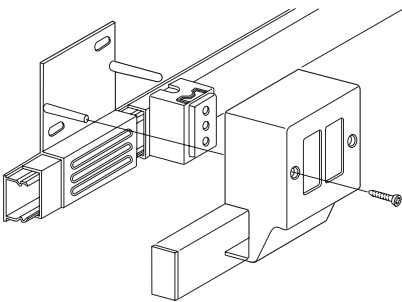
article
41 829

### Wall/ceiling tee branch connection



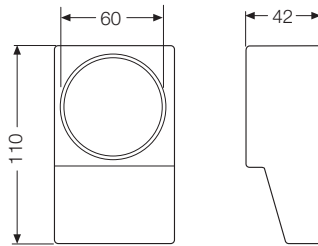
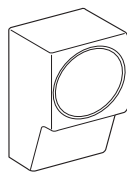
article	trunking dimensions	A	B	C	D	E
41 902	20X10	10	20	10	20	22
41 904	30X10	10	20	10	30	22
41 906	40X10	10	20	10	40	22
41 910	15X17	17	15	17	15	29
41 913	30X17	17	15	17	30	29
41 915	40X17	17	15	17	40	29
41 916	60X17	17	15	17	60	29
41 917	25X30	30	25	30	25	42
41 919	40X30	30	25	30	40	42
41 920	60X30	30	25	30	60	42

### Switch-socket floor box (2 devices)



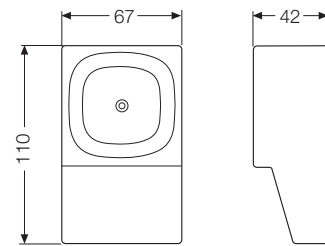
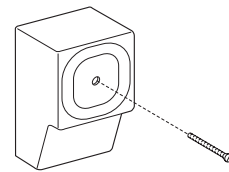
article
41 806 - 01 808 - 01 810

### Switch-socket floor box ø 60



article
41 818 - 01 820 - 01 821

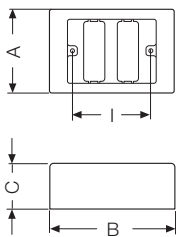
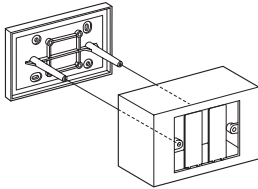
### Telephone socket box



article
41 812 - 01 814 - 01 816

# Overall dimensions Mini-trunking

## Switch-socket box



article	A	B	C	I
41 823 - 01 826 - 01 828	92	133	43	83.5
41 822 - 01 825 - 01 827	92	133	53	83.5
41 830 - 01 831 - 01 832	86	155	59	108

10

## Mini-trunking sections and number of devices that can be inserted

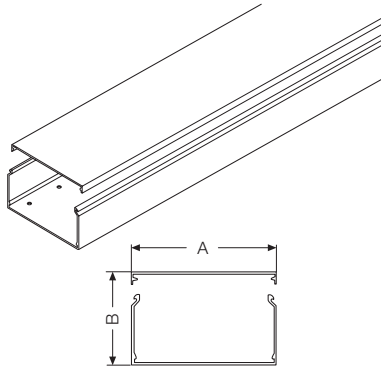
Mini-trunking				Mini-trunking Max. no of H07V-K single-pole wires with reduction coefficient = 50% under CEI 64-8						
1 compart.	2 compart.	3 compart.	article	Geometric section of compart. cm <sup>2</sup>	Section 1.5 mm <sup>2</sup>	Section 2.5 mm <sup>2</sup>	Section 4 mm <sup>2</sup>	Section 6 mm <sup>2</sup>	Max. compatible H07V-K cable for the system Section mm <sup>2</sup>	Cross-sections to be used with cables mm <sup>2</sup>
	20x10		41 081-41 102	0.45+0.45	2+2	2+2	1+1	1+1	1.5	22.5+22.5
20x10			41 080 41 101 01 151 01 171	1.16	5	4	4	3	1.5	58
30x10			41 083-41 103	1.95	15	10	8	5	1.5	97.5
	30x10		41 084-41 104	0.90+0.90	4+4	3,3	3+3	2+2	1.5	45+45
	40x10		41 106	1.31+1.31	6+6	5+5	4+4	3+3	1.5	65.5+65.5
15x17			41 110 41 111 01 160 01 180	1.70	8	6	5	4	6	85
30x17			41 091 41 113 01 163 01 183	3,70	17	14	12	9	6	185
	40x17		41 092-41 115	2.33+2.33	10+10	9+9	8+8	6+6	6	116,5+116,5
	60x17		41 093-41 116	2.4+2.2+2.4	12+10+12	8+7+8	7+6+7	4+3+4	6	120+110+120
25x30			41 117	5.12	23	19	17	13	16	256
40x30			41 119	9.13	42	35	30	23	16	465.5
	60x30		41 120	4.6+4.2+4.6	23+21+23	16+15+16	12+11+12	7+6+7	16	230+210+230

1SLC60002F0301

# Overall dimensions

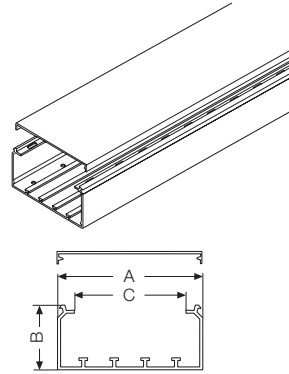
## Feeder and cable trunking

### Feeder trunking



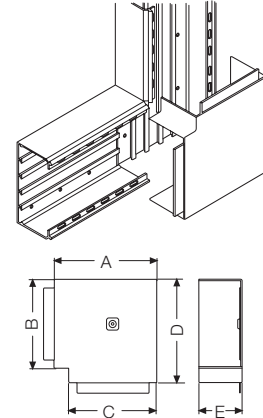
Part Number	A	B
43 002 - 03 042	40	40
43 003 - 03 043	60	40
43 004 - 03 044	80	40
43 005 - 03 045	100	40
43 006 - 03 046	120	40
43 013 - 03 053	60	60
43 014 - 03 054	80	60
43 015 - 03 055	100	60
43 016 - 03 056	120	60
43 017 - 03 057	150	60
43 018 - 03 058	200	60
43 025 - 03 065	100	80
43 026 - 03 066	120	80
43 027 - 03 067	150	80
43 028 - 03 068	200	80

### Cable trunking



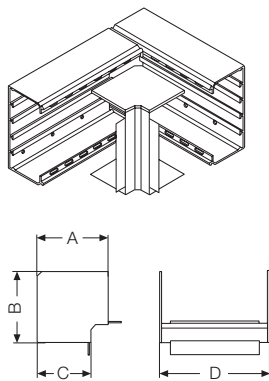
Part Number	A	B	C
43 085 - 03 115	100	40	72
43 086 - 03 116	120	40	92
43 095 - 03 125	100	60	72
43 096 - 03 126	120	60	92
43 097 - 03 127	150	60	122
43 098 - 03 128	200	60	172
43 105 - 03 137	150	80	122
43 106 - 03 138	200	80	172

### 90° flat corner



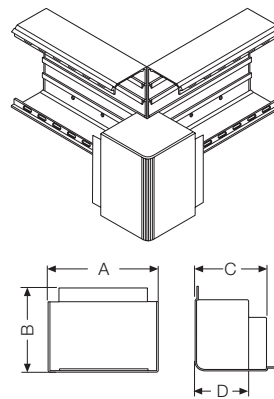
Part Number	A	B	C	D	E
43 152 - 03 192	63	44	44	63	40
43 153 - 03 193	83	64	64	83	40
43 154 - 03 194	103	84	84	103	40
43 155 - 03 195	123	104	104	123	40
43 156 - 03 196	143	124	124	143	40
43 163 - 03 203	83	64	64	83	60
43 164 - 03 204	103	84	84	103	60
43 165 - 03 205	123	104	104	123	60
43 166 - 03 206	143	124	124	143	60
43 167 - 03 207	225	150	150	225	60
43 168 - 03 208	275	200	200	275	60
43 175 - 03 215	123	104	104	123	80
43 176 - 03 216	143	124	124	143	80
43 177 - 03 217	225	150	150	225	80
43 178 - 03 218	275	200	200	275	80

### Inside corner



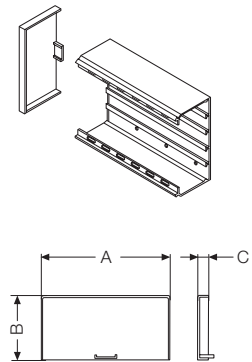
Part Number	A	B	C	D
43 232 - 03 272	60	60	40	44
43 233 - 03 273	60	60	40	64
43 234 - 03 274	60	60	40	84
43 235 - 03 275	60	60	40	104
43 236 - 03 276	60	60	40	124
43 243 - 03 283	80	80	60	64
43 244 - 03 284	80	80	60	84
43 245 - 03 285	80	80	60	104
43 246 - 03 286	80	80	60	124
43 247 - 03 287	195	195	60	150
43 248 - 03 288	195	195	60	200
43 255 - 03 288	100	100	80	104
43 256 - 03 286	100	100	80	124
43 257 - 03 297	220	220	80	150
43 258 - 03 298	220	220	80	200

### Outside corner



Part Number	A	B	C	D
43 312 - 03 352	44	75	60	40
43 313 - 03 353	64	95	80	40
43 314 - 03 354	84	95	80	40
43 315 - 03 355	104	115	100	40
43 316 - 03 356	124	115	120	40
43 323 - 03 363	64	95	80	60
43 324 - 03 364	84	95	80	60
43 325 - 03 365	104	115	100	60
43 326 - 03 366	124	115	100	60
43 327 - 03 367	150	200	200	60
43 328 - 03 368	200	200	200	60
43 335 - 03 375	104	115	100	80
43 336 - 03 376	124	115	100	80
43 337 - 03 377	150	220	220	80
43 338 - 03 378	200	220	220	80

### End cap



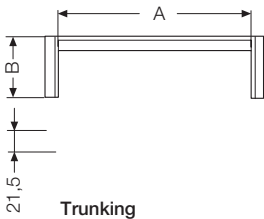
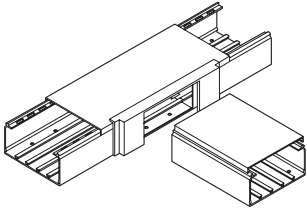
Part Number	A	B	C
43 392 - 03 432	44	42	10
43 393 - 03 433	64	42	10
43 394 - 03 434	84	42	10
43 395 - 03 435	104	42	10
43 396 - 03 436	124	42	10
43 403 - 03 443	64	62	10
43 404 - 03 444	84	62	10
43 405 - 03 445	104	62	10
43 406 - 03 446	124	62	10
43 407 - 03 447	154	62	10
43 408 - 03 448	204	62	10
43 415 - 03 455	104	82	10
43 416 - 03 456	124	82	10
43 417 - 03 457	154	82	10
43 418 - 03 458	200	80	2

1-SC000009001

# Overall dimensions

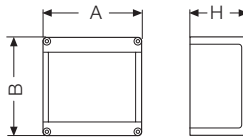
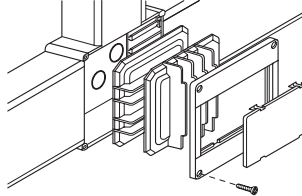
## Feeder and cable trunking

### Tee



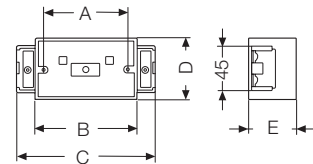
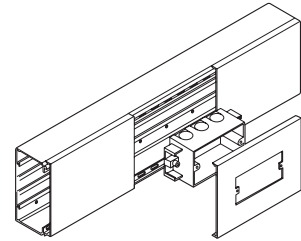
Part Number	Trunking height	A	B
43475-03515	40	40/60/80/100	64
43488-03528	60	60/80/100/120/150/200	64
43498-03538	80	100/120/150/200	84

### Box for flat branch connections



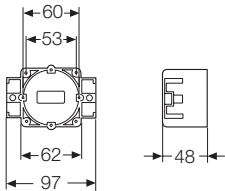
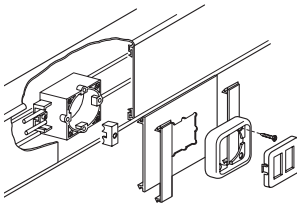
Part Number	Trunking height	A	B	H
43 681 - 03 686	40	121	121	68
43 682 - 03 687	60	221	221	85

### Switch-socket box



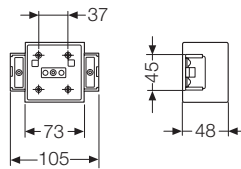
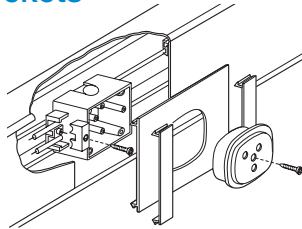
Part Number	Trunking height	A	B	C	D	E
03 724	60/80	83.5	97	129	60.5	50
03 735	60/80	108	124	155	69	52.5

### Switch-socket box interaxis 60 mm

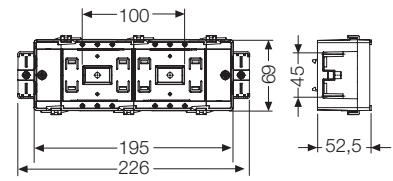


Part Number
03 726

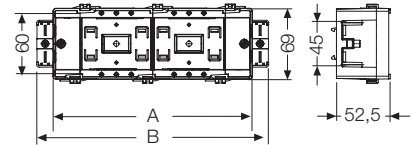
### Box for telephone sockets



Part Number
03 730

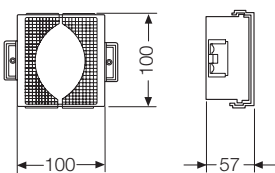
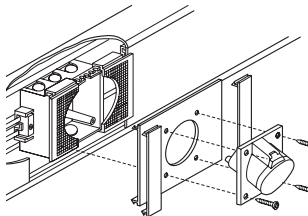


Part Number	Trunking height
03 736	60/80



Part Number	Trunking height	A	B
03 737	60/80	178	208
03 738	60/80	248	278
03 739	60/80	318	348

### Box for IEC plugs



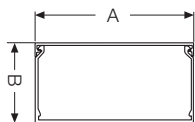
Part Number
03 734



## Trunking sections and number of cables that can be inserted

Max. no of H07V-K unipolar wires with reduction coefficient = 50% under CEI 64-8

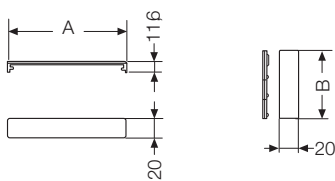
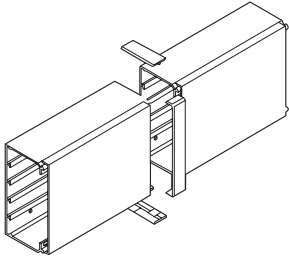
Type of trunking		Geometric section of compart. cm <sup>2</sup>	Max. no of H07V-K unipolar wires with reduction coefficient = 50% under CEI 64-8							Cross-sections to be used with cables mm <sup>2</sup>
A	B		Sec. 1.5 mm <sup>2</sup>	Sec. 2.5 mm <sup>2</sup>	Sec. 4 mm <sup>2</sup>	Sec. 6 mm <sup>2</sup>	Sec. 10 mm <sup>2</sup>	Sec. 16 mm <sup>2</sup>	Sec. 25 mm <sup>2</sup>	
40	40	14.2	74	51	39	23	16	12	7	710
60	40	20.4	105	74	56	33	23	17	11	1020
80	40	27.5	143	99	76	44	30	23	14	1375
100	40	34.4	179	124	95	55	38	28	18	1720
120	40	41.1	214	148	114	66	45	34	22	2055
60	60	32	166	115	88	51	35	26	17	1600
80	60	42.4	220	153	117	68	47	35	22	2120
100	60	53.6	279	194	148	86	59	44	28	2680
120	60	62.9	327	227	174	101	69	52	33	3145
150	60	79.5	413	287	220	128	88	65	42	3975
200	60	106.8	555	386	295	171	118	88	56	5340
100	80	72.8	379	263	201	117	80	60	38	3640
120	80	86.6	450	313	239	139	95	71	46	4330
150	80	108.8	566	393	301	175	120	89	57	5440
200	80	149.7	758	526	403	234	161	120	77	7485



# Overall dimensions

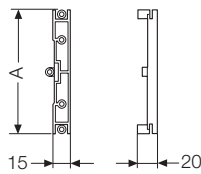
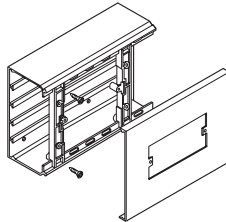
## Feeder and cable trunking

### Flat joint and cover



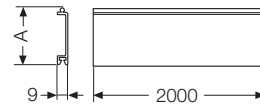
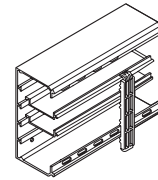
for trunking base	A	for trunking height	B
40	44	40	30
60	64	60	50
80	84	80	70
100	104		
120	124		
150	154		
200	204		

### Equipment support retainer



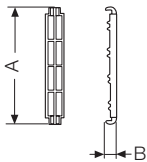
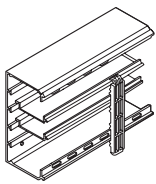
Part Number	for trunking base	A
03 711	100	86
03 712	120	116
03 713	130	136

### Divider



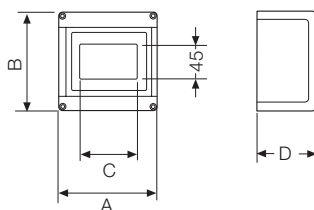
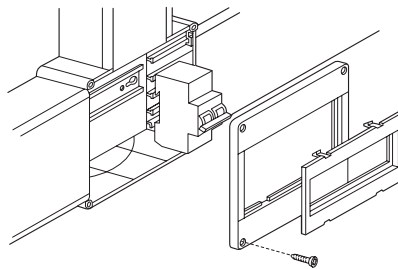
Part Number	for trunking height	A
03 630	40	30
03 631	60/80	50

## 10 Cable retainer



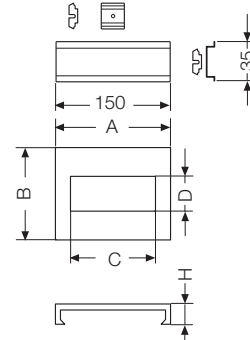
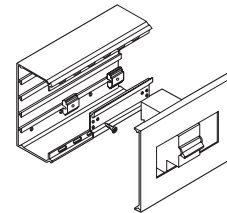
Part Number	for trunking base	A	B
03 665	100	80	10
03 666	120	100	10
03 667	150	130	10
03 668	200	180	10

## Consumer unit for MCBs



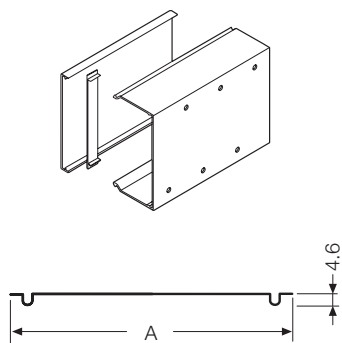
Part Number	for trunking height	A	B	C	D
43 692-03 696	50/100	120	120	71	67
03 691-03 697	150/200	220	220	175	87

## Plate for MCBs (6 DIN modules)



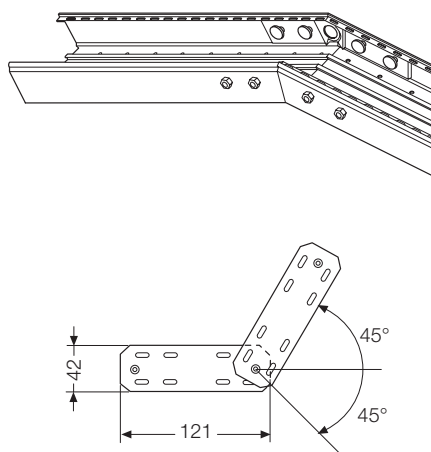
Part Number	A	B	C	D	H
43 846-03 856	150	120	105	45	10
43 847-03 857	150	150	105	45	10
43 848-03 858	150	200	105	45	10

## Cable retaining bar



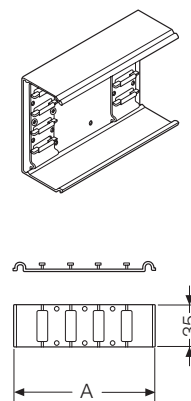
Part Number	For trunking base	A
03 642	40	38
03 643	60	58
03 644	80	78
03 645	100	98
03 646	120	118
03 647	150	148
03 648	200	198

## Adjustable joint



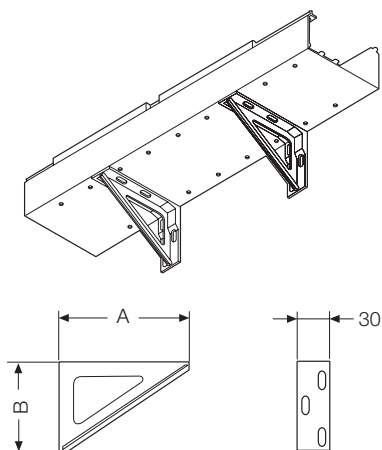
Part Number
03 873

## Base component clip



Part Number	For trunking base	No. of installable separators	A
03 653	60	2	56
03 654	80	2	76
03 655	100	2	96
03 656	120	4	116
03 657	150	4	146

## Wall bracket



Part Number	for trunking base	A
03 865	122	82
03 867	202	184

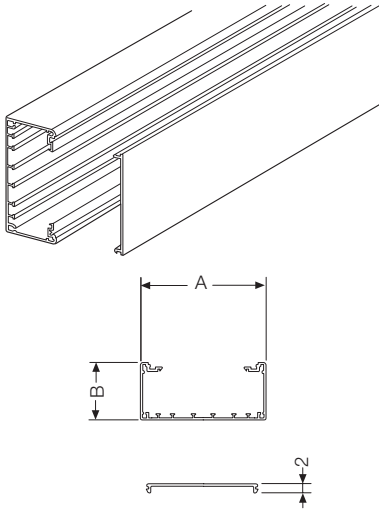
## Trunking section in cm<sup>2</sup> with boxes installed

A	Trunking type B	Trunking section cm <sup>2</sup>	Box interaxis 83.5 cm <sup>2</sup>	Box interaxis 60 cm <sup>2</sup>	Telephone socket box cm <sup>2</sup>	Box for IEC plugs cm <sup>2</sup>
80	60	42.6	8	7	0.3	
100	60	53.6	19	18	11	
120	60	62.9	28	27	21	
150	60	79.5	45	44	37	
200	60	106.8	72	71	64	
100	80	72.8	38	37	31	
120	80	86.6	52	51	44	
150	80	108.8	74	73	66	27
200	80	145.7	111	110	103	64

# Overall dimensions

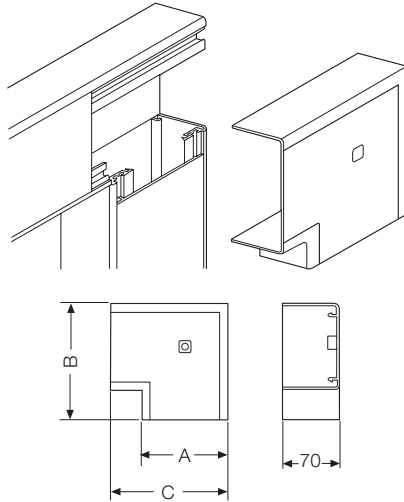
## Design styled cable trunking

### Cable trunking



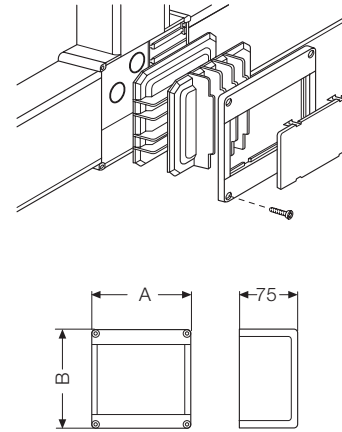
Part Number	A	B
44 010	50	68
44 012	100	68
44 014	150	68
44 016	200	68

### 90° flat corner



Part Number	A	B	C
44 050	54	95	95
44 052	104	145	145
44 054	154	195	195

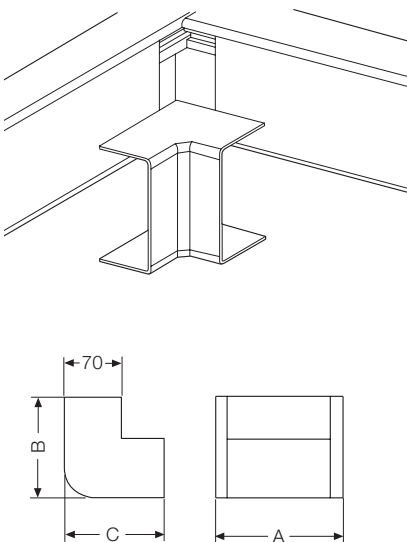
### Box for flat branch connections



Part Number	For trunking	A	B
44 090	50/100	120	120
44 092	150/200	220	220

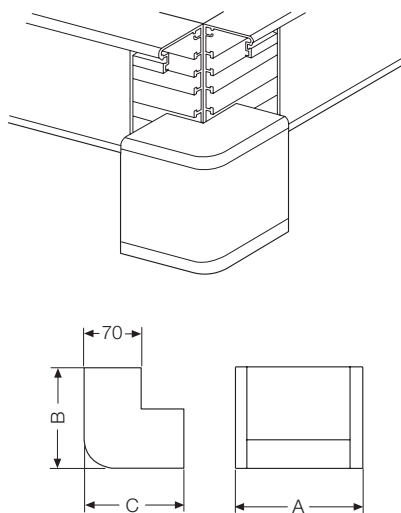
10

### Inside corner



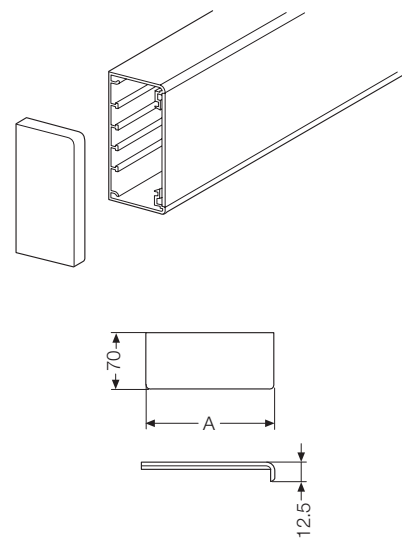
Part Number	A	B	C
44 130	54	120	120
44 132	104	120	120
44 134	154	120	120
44 136	204	120	120

### Outside corner



Part Number	A	B	C
44 170	54	120	120
44 172	104	120	120
44 174	104	120	120
44 176	204	120	120

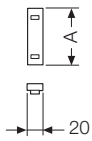
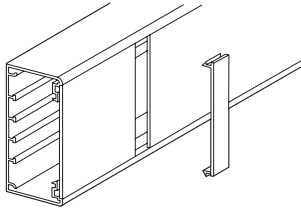
### End cap



Part Number	A
44 210	55
44 212	105
44 214	155
44 216	205

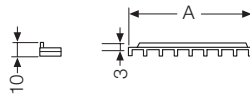
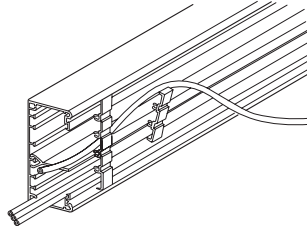
1SL09011F0901

### Flat joint for cover



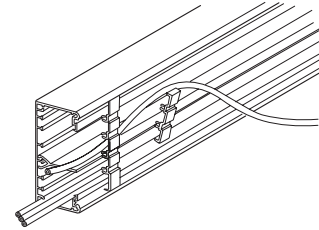
Part Number	A
44 250	32
44 252	82
44 254	132
44 256	182

### Cable retainer



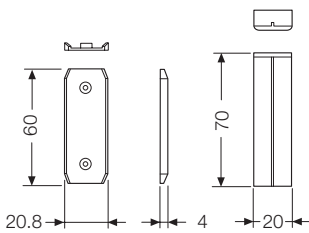
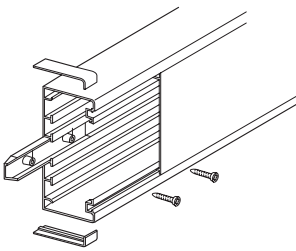
Part Number	for trunking base	A
04 322	100	70
04 324	150	120
04 326	200	170

### Divider



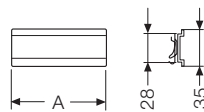
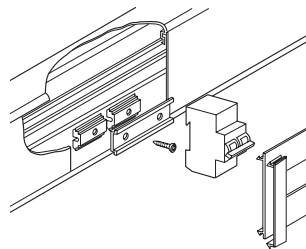
Part Number
44 040

### Flat joint for trunkings



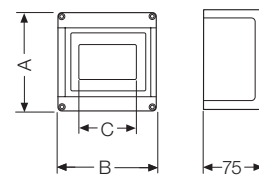
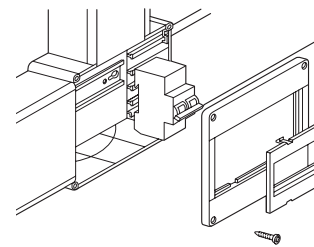
Part Number
44 291

### MCBs kit



Part Number	for trunking base	n° modules	A
44 634	150	6	100
44 636	200	6	100
44 654	150	10	200
44 656	200	10	200

### Consumer unit for 17.5x45 mm MCBs

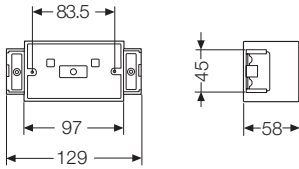
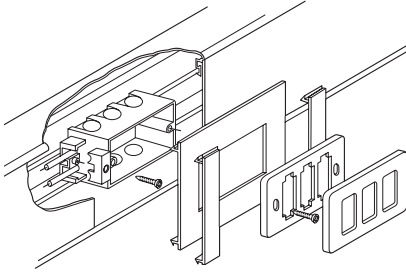


Part Number	for trunking base	A	B	C
44 680	50/100	120	120	71
44 682	150/200	220	220	175

# Overall dimensions

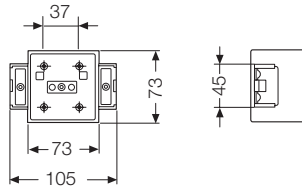
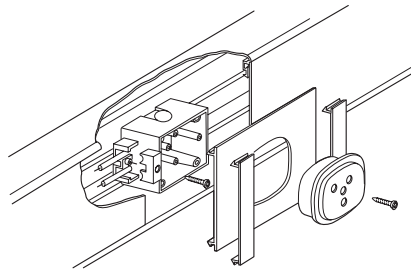
## Design styled cable trunking

**Switch-socket box  
interaxis 83.5 mm**



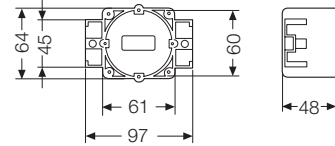
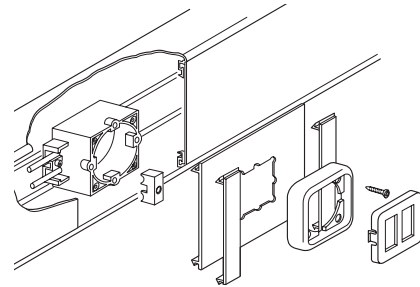
Part Number	for trunking base
44 352	100
44 354	150
44 356	200

**Box for telephone  
socket**



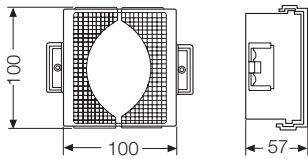
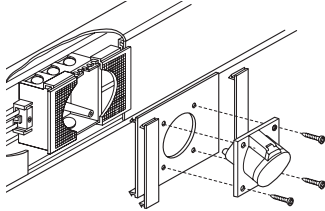
Part Number	for trunking base
44 434	150
44 436	200

**Box interaxis 60 mm**



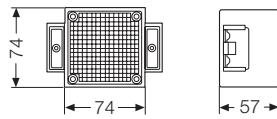
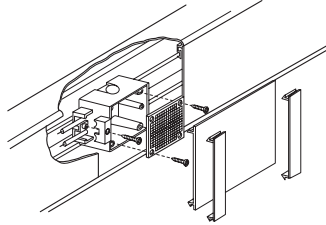
Part Number	for trunking base
44 452	100
44 454	150
44 456	200

## Adjustable universal box



Part Number	for trunking base
44 514	150
44 516	200

## Blank box 73x73 mm



Part Number	for trunking base
44 554	150
44 556	200

## Trunking section in cm<sup>2</sup> with boxes installed

types of boxes	for trunking base		
	100		
Interaxis 83.5	195	45	72
Telephone socket	-	40	66.6
Interaxis 60/67	19	47	75
Adjustable universal	-	38	55
Blind 73x73	-	40	66.6

## Trunking sections and number of cables

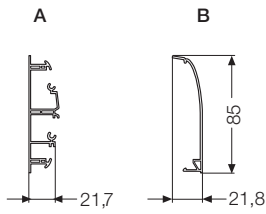
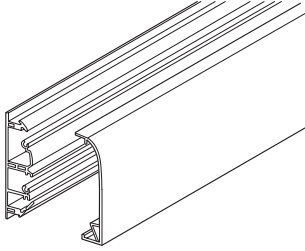
Trunking dimensions	Geometric section of compart. cm <sup>2</sup>	Max. number of H07V-K unipolar wires with reduction coefficient = 50% under CEI 64-8											Max. compatible H07V-K cable for the system sec.mm <sup>2</sup>	Cross-sections to be used with cables mm <sup>2</sup>		
		Sec. 6 mm <sup>2</sup>	Sec. 10 mm <sup>2</sup>	Sec. 16 mm <sup>2</sup>	Sec. 25 mm <sup>2</sup>	Sec. 35 mm <sup>2</sup>	Sec. 50 mm <sup>2</sup>	Sec. 70 mm <sup>2</sup>	Sec. 95 mm <sup>2</sup>	Sec. 120 mm <sup>2</sup>	Sec. 150 mm <sup>2</sup>	Sec. 185 mm <sup>2</sup>				
	156	163	112	83	53	41	30	22	18	14	12	10	185			
Type of trunking	Geometric section of compart. cm <sup>2</sup>	Sec. 1.5 mm <sup>2</sup>	Sec. 2.5 mm <sup>2</sup>	Sec. 4 mm <sup>2</sup>	Sec. 6 mm <sup>2</sup>	Sec. 10 mm <sup>2</sup>	Sec. 16 mm <sup>2</sup>	Sec. 25 mm <sup>2</sup>	Sec. 35 mm <sup>2</sup>	Sec. 50 mm <sup>2</sup>	Sec. 70 mm <sup>2</sup>	Sec. 95 mm <sup>2</sup>	Sec. 120 mm <sup>2</sup>	Sec. 150 mm <sup>2</sup>	Max. compatible H07V-K cable for the system sec.mm <sup>2</sup>	Cross-sections to be used with cables mm <sup>2</sup>
	21.85	113	78	60	35	24	18	11						21.85	150	1092.5
	<b>A</b>	19.4	98	68	52	30	21	15	10					56.4	150	2820
	<b>B</b>	12.53	65	45	34	20	14	10	6					56.4	150	
	<b>C</b>	19.4	98	68	52	30	21	15	10					56.4	150	
	<b>D</b>	10.43	54	37	28	16	11	8	5					88.26	150	4413
	<b>E</b>	9.17	47	33	25	14	10	7	4					88.26	150	
	<b>F</b>	13.65	70	49	37	21	15	11	7					88.26	150	
	<b>G</b>	12.53	65	33	34	20	14	10	6					88.26	150	
	<b>H</b>	13.65	70	37	37	21	15	11	7					88.26	150	
	<b>K</b>	9.17	47	38	25	14	10	7	4					88.26	150	
	<b>I</b>	10.43	54	35	28	16	11	8	5					88.26	150	
	<b>L</b>	10.56	54	48	29	17	11	9	5					119.16	150	
	<b>M</b>	9.69	50	50	26	15	10	8	5					119.16	150	5958
	<b>N</b>	13.33	69	46	37	21	14	12	7					119.16	150	
	<b>O</b>	13.9	72	50	38	22	15	11	7					119.16	150	
	<b>P</b>	12.76	66	46	35	20	14	10	6					119.16	150	
	<b>Q</b>	13.9	72	50	38	22	15	11	7					119.16	150	
	<b>R</b>	13.33	69	48	37	21	14	12	7					119.16	150	
	<b>S</b>	9.69	50	35	26	15	10	8	5					119.16	150	
	<b>T</b>	10.56	54	38	29	17	11	9	5					119.16	150	

1SLC2601-FF0901

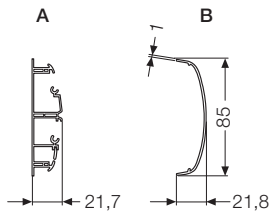
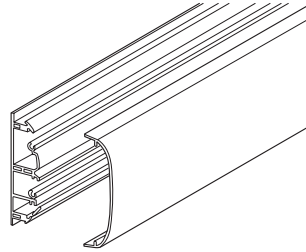
# Overall dimensions

## Skirting and dado trunking

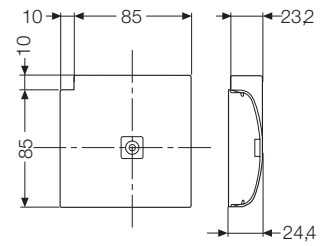
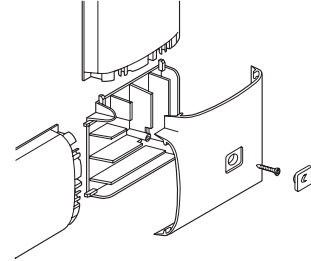
### Skirting cover



### Nut cover



### 90° flat corner



drawing article

A	42 010 - 02 011
B	42 015 - 02 016 - 02 017

drawing article

A	42 010 - 02 011
B	42 012 - 02 013 - 02 014

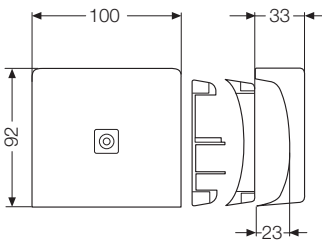
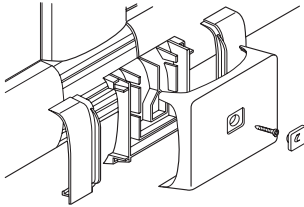
article

42 022 - 02 023 - 02 024
42 025 - 02 026 - 02 027
42 028 - 02 029 - 02 030

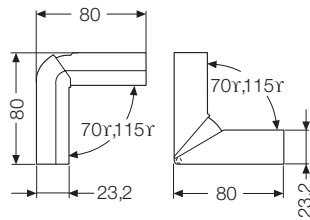
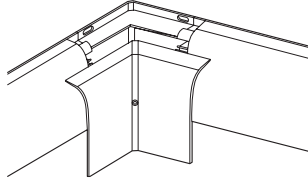
1SLC930015FC901



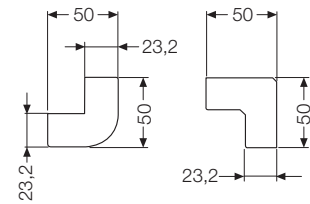
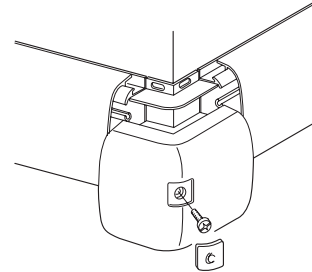
## Box for flat branch connections



## Inside corner



## Outside corner



1SLC60018FD001  
**article**  
 42 032 - 02 033 - 02 034

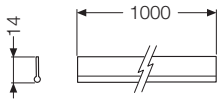
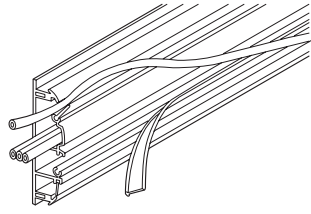
**article**  
 42 042 - 02 043 - 02 044  
 42 046 - 02 047 - 02 048  
 42 049 - 02 050 - 02 051

**article**  
 42 052 - 02 053 - 02 054  
 42 056 - 02 057 - 02 058  
 42 059 - 02 060 - 02 061

# Overall dimensions

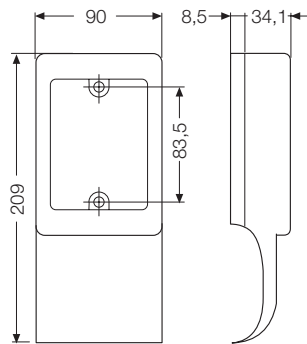
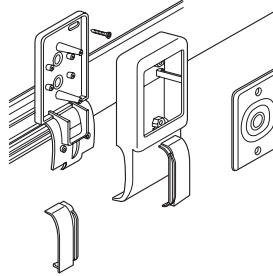
## Skirting and dado trunking

### Compartment cover



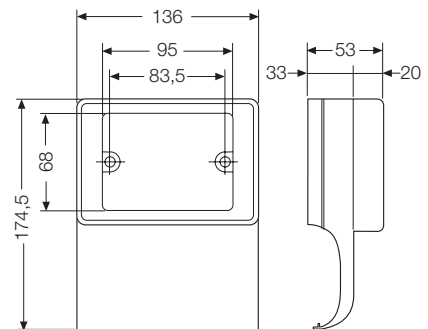
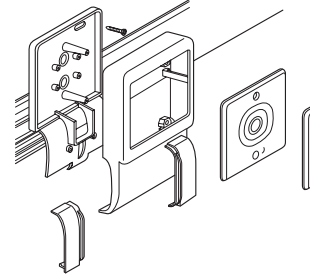
article  
02 018

### Vertical switchsocket box



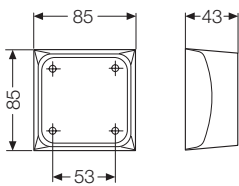
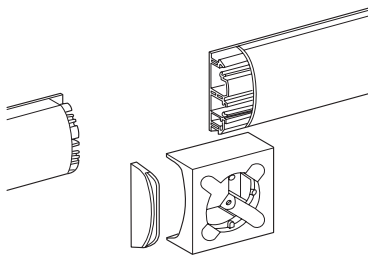
article  
42 102 - 02 103 - 02 104

### Horizontal switch-socket box



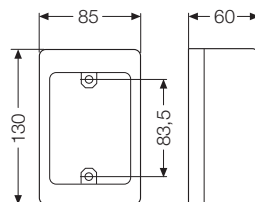
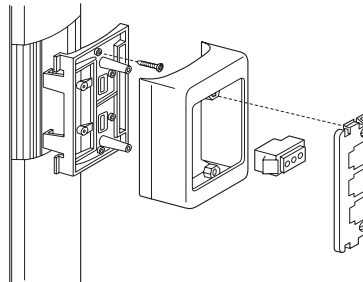
article  
42 105 - 02 109 - 02 110

### 10 Switch-socket box interaxis 60/67 mm



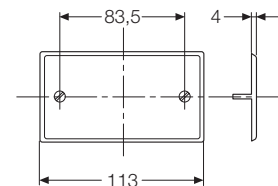
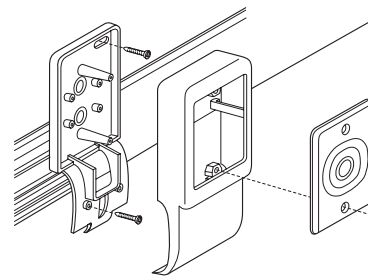
article  
42 096 - 02 097 - 02 098

### Switch-socket box interaxis 83.5 mm



article  
42 092 - 02 093 - 02 094

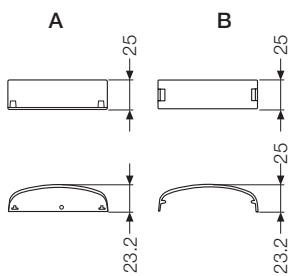
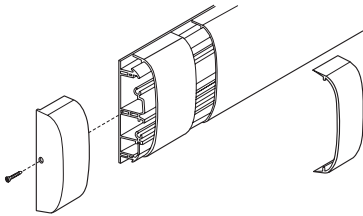
### Cover interaxis 83.5 mm



article  
42 112 - 00 059

ISL030017F0901

## End cap and flat joint for cover



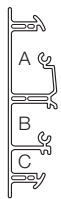
### drawing article

A	42 062 - 02 063 - 02 064
A	42 065 - 02 066 - 02 067
A	42 068 - 02 069 - 02 070
B	42 072 - 02 073 - 02 074
B	42 075 - 02 076 - 02 077

## Trunking sections and number of cables that can be inserted

### Skirting and dado trunkings

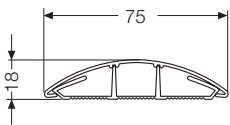
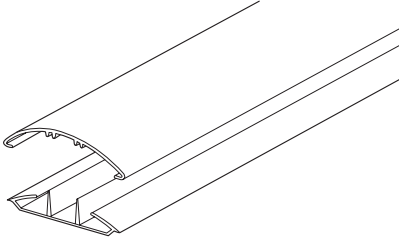
Max. number of H07V-K unipolar wires with reduction coefficient = 50% under CEI 64-8



Compartments	Geometric section of compart. cm <sup>2</sup>	Max. number of H07V-K unipolar wires with reduction coefficient = 50% under CEI 64-8				Max. compatible H07V-K cable for the system sec. mm <sup>2</sup>	Cross-sections to be used with cables mm <sup>2</sup>
		Section 1,5 mm <sup>2</sup>	Section 2,5 mm <sup>2</sup>	Section 4 mm <sup>2</sup>	Section 6 mm <sup>2</sup>		
A	4.33	20	16	14	11	10	462
B	3.01	14	11	10	7	10	
C	1.90	9	7	6	5	10	

# Overall dimensions Floor trunking

## Floor trunking

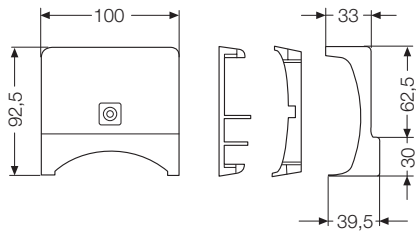
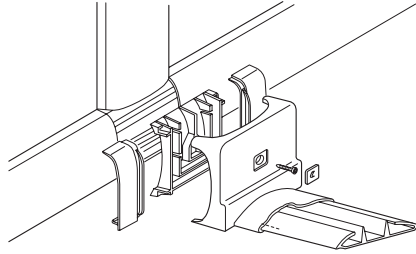


1SLC03019F0601

article

42 512 - 02 513 - 02 514 - 02 515

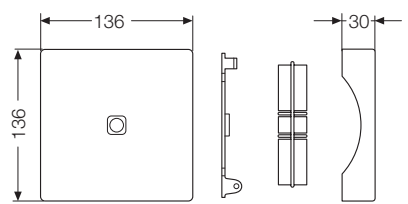
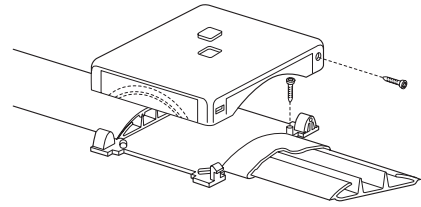
## Skirting branch connection



article

42 522 - 02 523 - 02 524

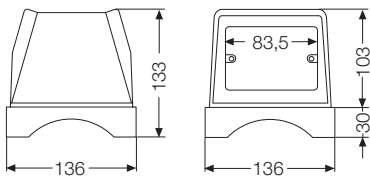
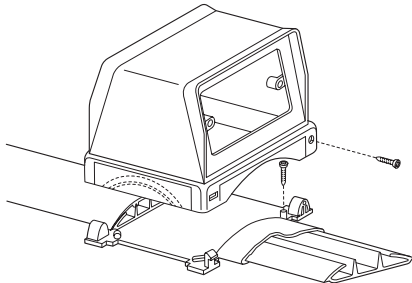
## Box for branch connection



article

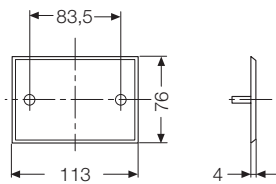
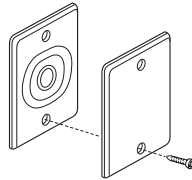
42 532 - 02 533 - 02 534 - 02 535

**Switch-socket box  
interaxis 83.5 mm**



article  
42 542 - 02 543 - 02 544 - 02 545

**Cover  
interaxis 83.5 mm**



article  
42 112 - 00 059

**Trunking sections and number of cables that can be inserted**

**Floor trunking**

Max. number of H07V-K unipolar wires with reduction  
coefficient = 50% under CEI 64-8



Compartments	Geometric section of compartment, cm <sup>2</sup>	Section 1,5 mm <sup>2</sup>	Section 2,5 mm <sup>2</sup>	Section 4 mm <sup>2</sup>	Section 6 mm <sup>2</sup>	Max. compatible H07V-K cable for the system sec. mm <sup>2</sup>
D	4,46	20	16	12	7	6
E	4,9	22	17	13	8	6
F	4,46	20	16	12	7	6

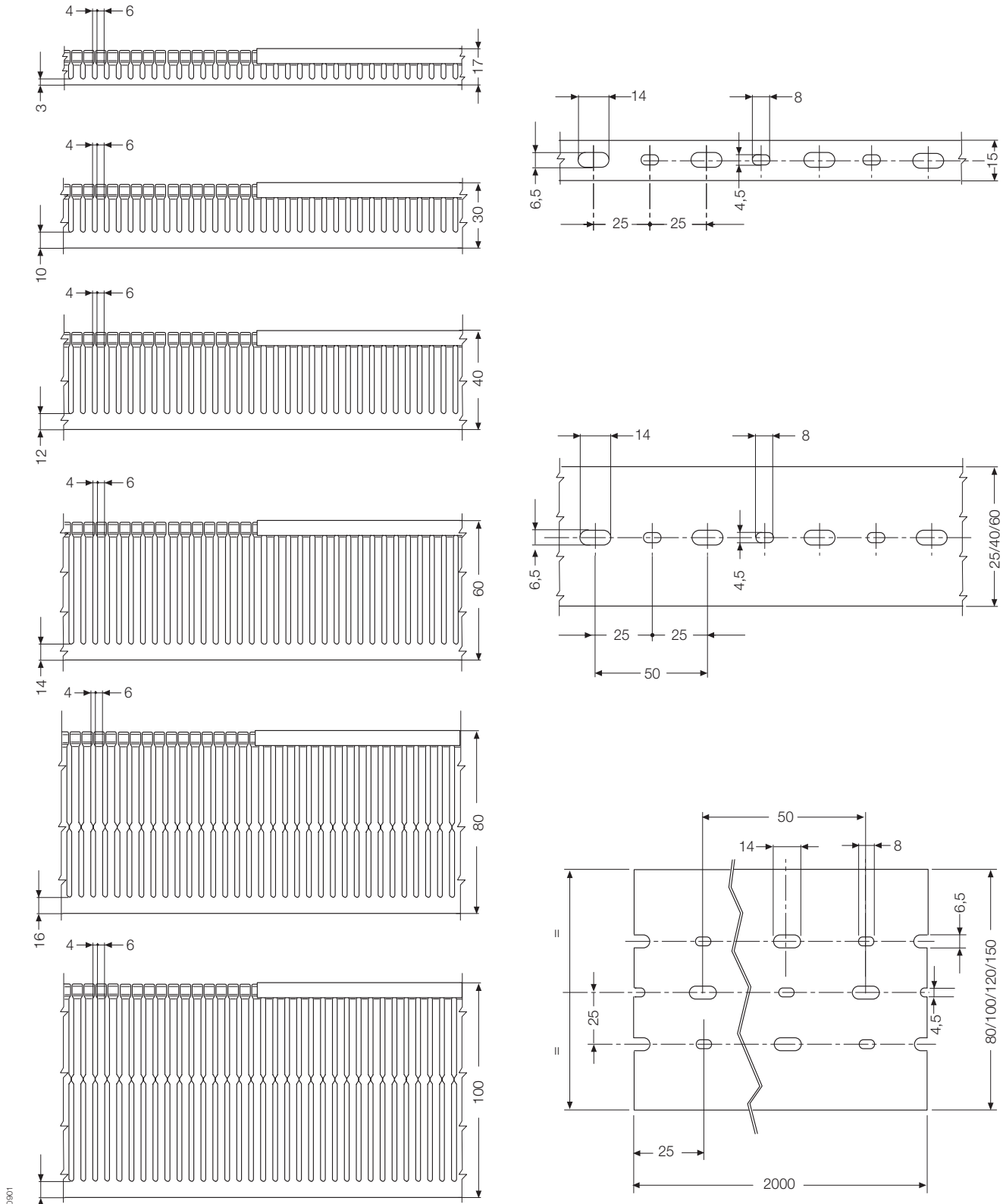
1SLC80019F03601

# Overall dimensions

## Thermoplastic and halogen free wiring ducts

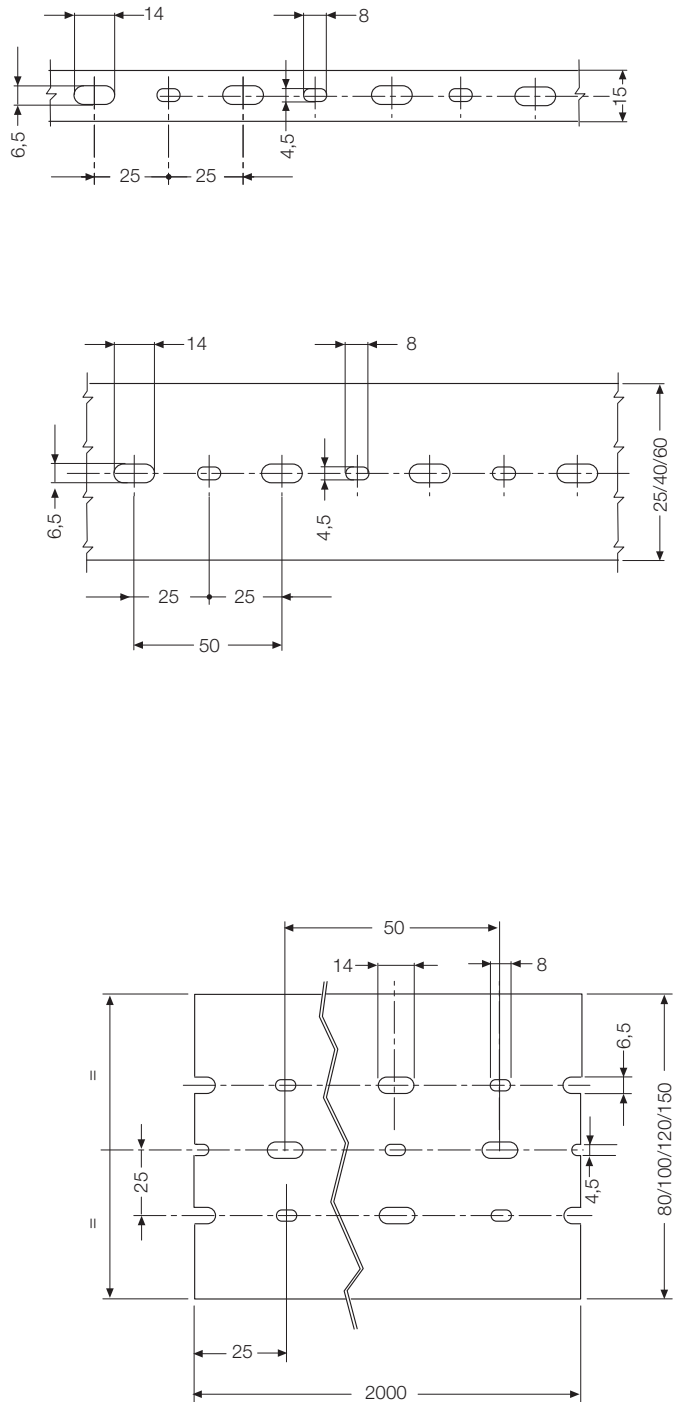
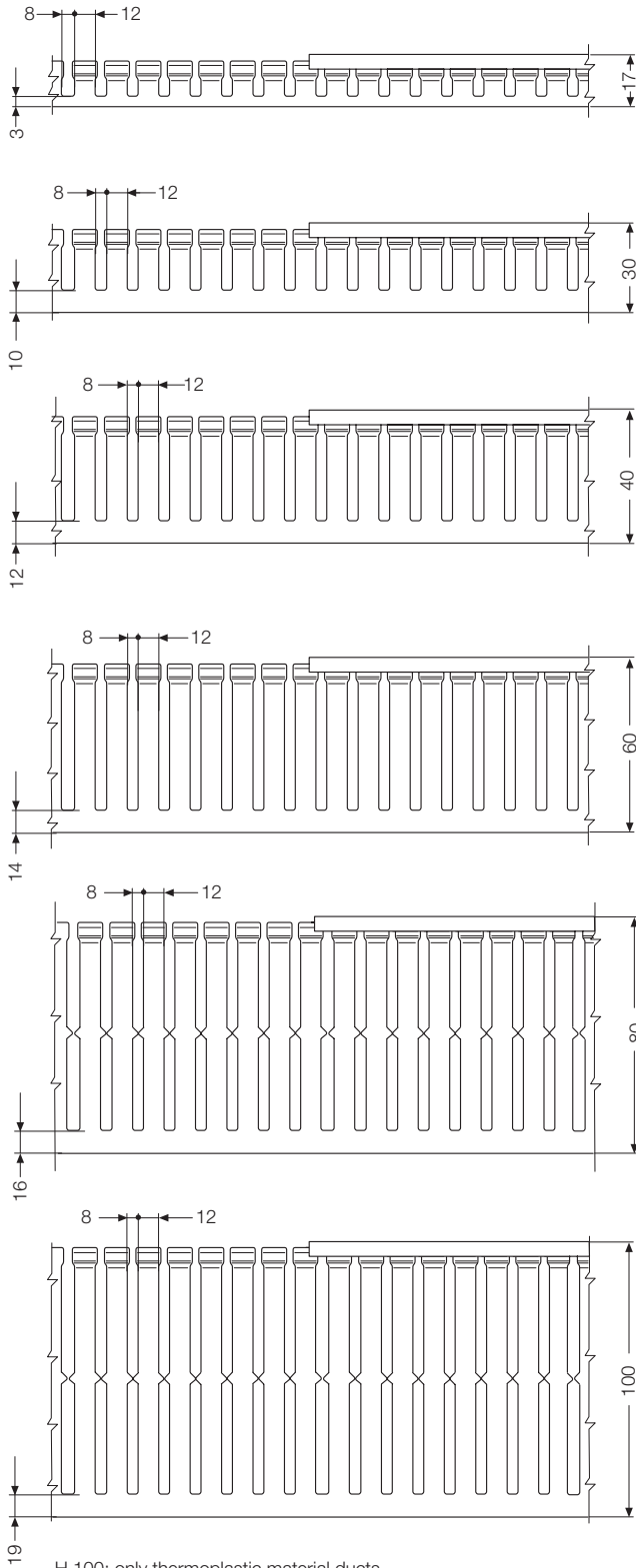
### Thermoplastic and halogen free wiring ducts with 4/6 mm slots

CEI 23-22 Standard applies to plastic wiring ducts and their accessories to be used in the mechanical protection and support of cables in switchboards, in application with a maximum rated voltage of 1000 V in alternate current and 1500 V in direct current. Thermoplastic wiring ducts have obtained the IMQ certification.



## Thermoplastic and halogen free wiring ducts with 8/12 mm slots

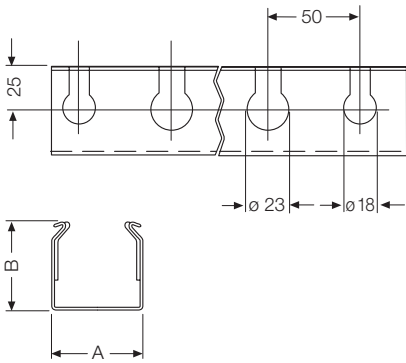
CEI 23-22 Standard applies to plastic wiring ducts and their accessories to be used in the mechanical protection and support of cables in switchboards, in application with a maximum rated voltage of 1000 V in alternate current and 1500 V in direct current. Thermoplastic wiring ducts have obtained the IMQ certification.



# Overall dimensions

## Thermoplastic wiring ducts

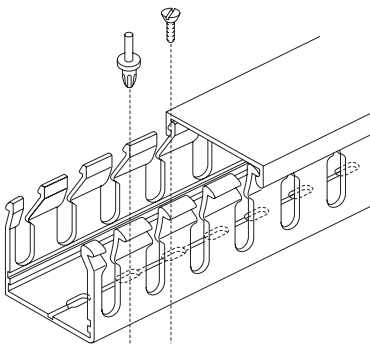
### Ducts with round holes



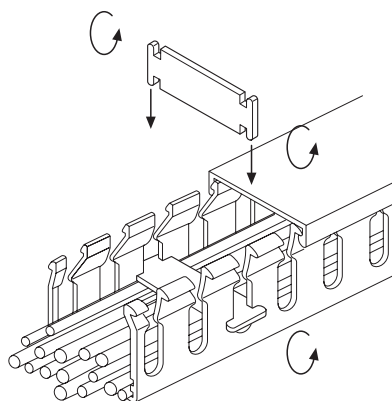
article	A	B
05 330	50	50
05 331	100	60

10

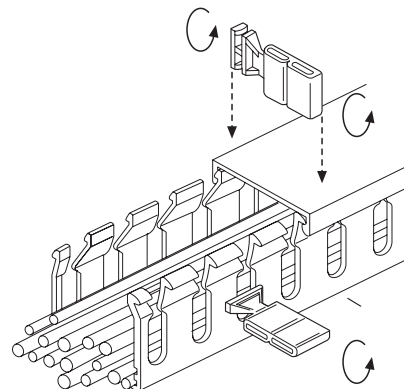
### Plastic rivets and wiring duct bases



### Plastic cable retainers



### Plastic label tag



1SLC8025F0901

article  
05 214 - 05 216 - 05 210

article  
05 224 - 05 226 - 05 228 - 05 230

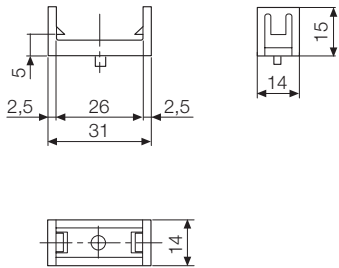
article  
05 240



# Overall dimensions

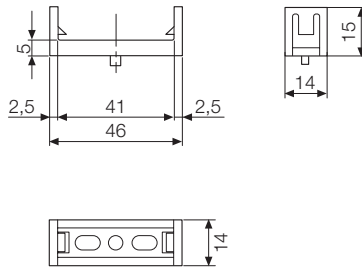
## Accessories for wiring ducts

### Clip for wiring ducts base 25



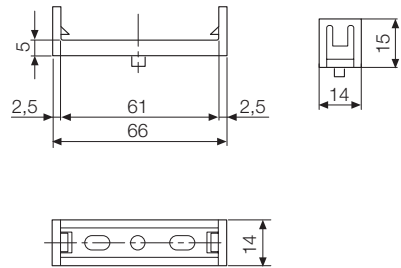
article  
**05 250** for DIN rail  
**05 270** for base plate

### Clip for wiring ducts base 40



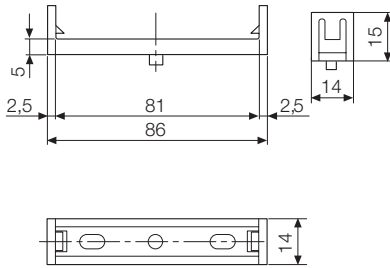
article  
**05 252** for DIN rail  
**05 272** for base plate

### Clip for wiring ducts base 60



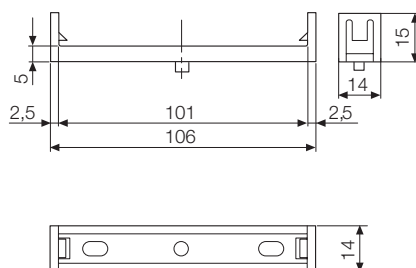
article  
**05 254** for DIN rail  
**05 274** for base plate

### Clip for wiring ducts base 80



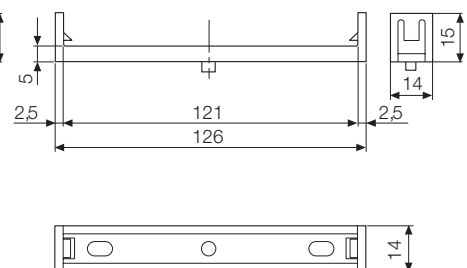
article  
**05 256** for DIN rail  
**05 276** for base plate

### Clip for wiring ducts base 100



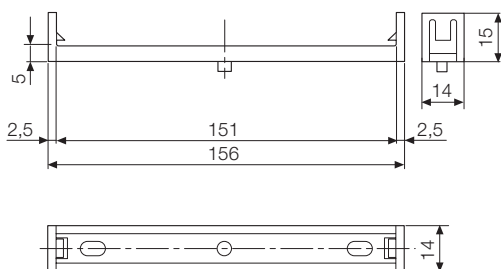
article  
**05 258** for DIN rail  
**05 278** for base plate

### Clip for wiring ducts base 120

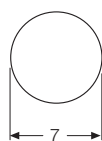


article  
**05 260** for DIN rail  
**05 280** for base plate

### Clip for wiring ducts base 150



article  
**05 262** for DIN rail  
**05 282** for base plate



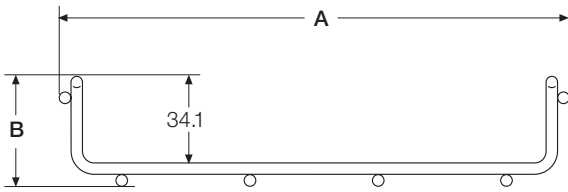
The FIX-O-RAPID for base plate can be snap-on inserted on punching as shown in the drawing.

1SLC0202EFC001

# Overall dimensions

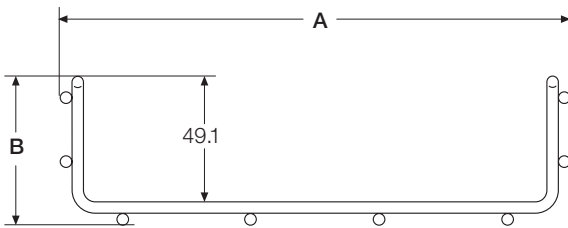
## Steel wire cable trays

### H 35 mm



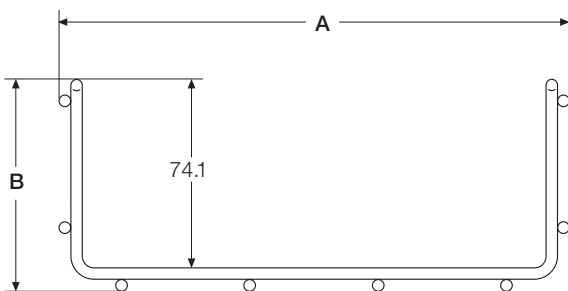
Rated dimension	A (mm)	B (mm)	Length (mm)	Weight (kg/m)	Usable section (mm <sup>2</sup> )
75x35	73.3	42.9	3000	0.626	1890.7
100x35	98.3	42.9	3000	0.657	2743.2
150x35	148.3	42.9	3000	0.798	4448.2
200x35	198.3	42.9	3000	0.948	6153.2
300x35	298.3	42.9	3000	1.612	9563.2

### H 50 mm



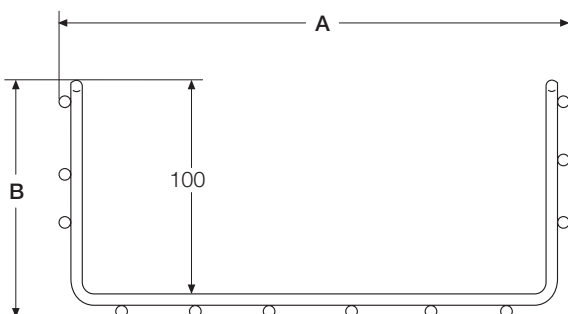
Rated dimension	A (mm)	B (mm)	Length (mm)	Weight (kg/m)	Usable section (mm <sup>2</sup> )
75x50	73.3	57.9	3000	0.857	2726.2
100x50	98.3	57.9	3000	0.881	3953.7
150x50	148.3	57.9	3000	1.029	6408.7
200x50	198.3	57.9	3000	1.178	8863.7
300x50	298.3	57.9	3000	1.909	13773.7
400x50	399.1	58.3	3000	2.292	18683.7
500x50	499.1	58.3	3000	2.675	23593.7

### H 75 mm

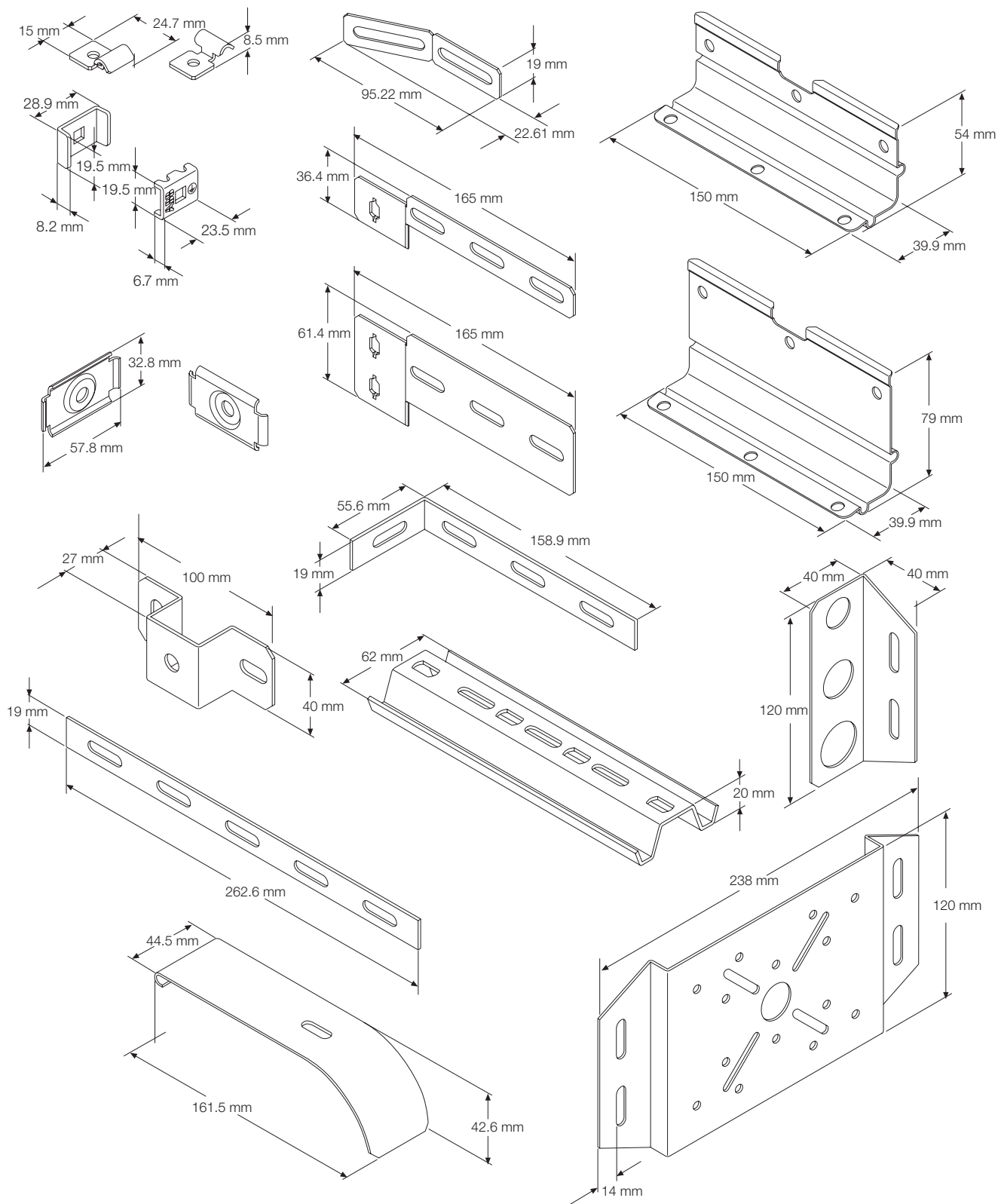


Rated dimension	A (mm)	B (mm)	Length (mm)	Weight (kg/m)	Usable section (mm <sup>2</sup> )
75x75	73.3	82.9	3000	0.906	4118.7
100x75	98.3	82.9	3000	0.931	5971.2
150x75	148.3	82.9	3000	1.079	9676.2
200x75	198.3	82.9	3000	1.227	13381.2
300x75	298.3	82.9	3000	1.958	20791.2
400x75	399.1	83.3	3000	2.341	28201.2
500x75	499.1	83.3	3000	2.724	35611.2

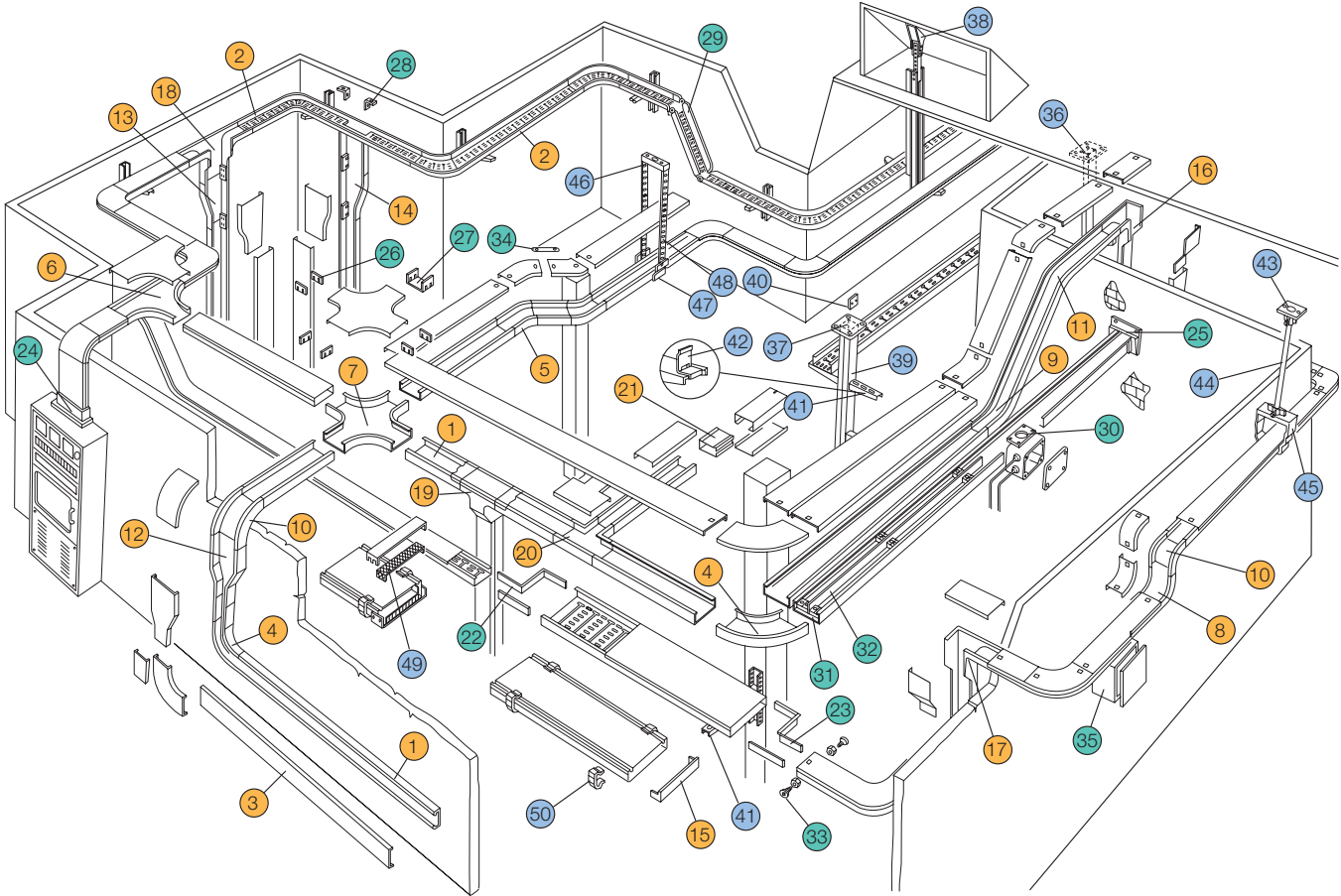
### H 100 mm


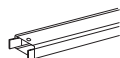
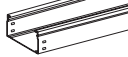
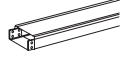













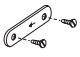


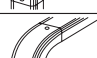
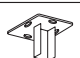





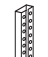


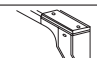
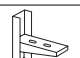

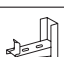





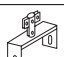

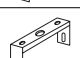

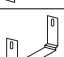








Rated dimension	A (mm)	B (mm)	Length (mm)	Weight (kg/m)	Usable section (mm <sup>2</sup> )
100x100	98.6	108.8	3000	1.525	8100
150x100	148.6	108.8	3000	1.715	13100
200x100	198.6	108.8	3000	1.908	18100
300x100	298.6	108.8	3000	2.292	28100
400x100	398.6	108.8	3000	2.675	38100
500x100	498.6	108.8	3000	3.058	48100



# Overall dimensions Sendzimir trunking



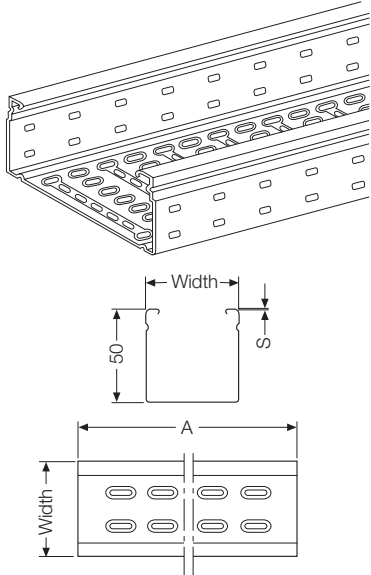
1		IP40 trunking	26		Straight joint
2		IP20 trunking	27		Integral joint
3		Cover	28		Vertical joint fixed at 90°
4		90° horizontal corner	29		Adjustable joint
5		45° horizontal corner	30		Branch connection coupler
6		Horizontal tee	31		Fastening element for separator
7		Horizontal cross	32		Divider
8		90° vertical inside fitting	33		Screw and nut
9		45° vertical inside fitting	34		Earth connection
10		90° vertical outside fitting	35		Branch connection box
11		45° vertical outside fitting	36		Single anchorage plate
12		Straight reducer	37		Double anchorage plate
13		Left reducer	38		Adjustable anchor plate
14		Right reducer	39		"C" profile
15		End cap	40		Blocking plate
16		Left 90° vertical outside fitting	41		Bracket
17		Right 90° vertical outside fitting	42		Trunking retainer spring
18		Vertical horizontal tee	43		Plate with conduit-tightener collar
19		Vertical tee with reduction	44		Conduit for suspensions
20		Horizontal tee with reduction	45		Cross piece with conduit-tightening collar
21		Straight inversion element	46		Cross piece for fastening to the ceiling
22		Left reducing fitting	47		Support for suspensions
23		Right reducing fitting	48		Punched bar
24		Coupler flange for fastening to switchboards	49		Integral sealed joint
25		Wall support	50		Clip

15L3R022F0901

# Overall dimensions

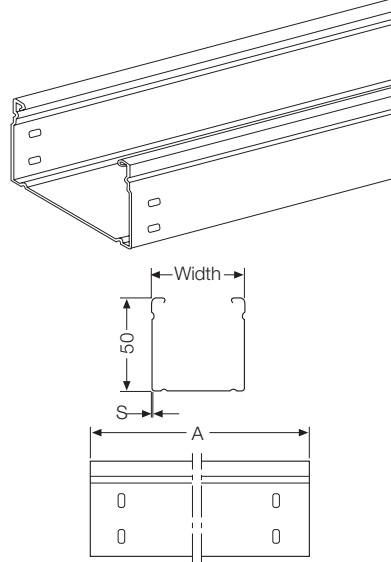
## Sendzimir trunking H 50

**Punched base cable trunking IP20**



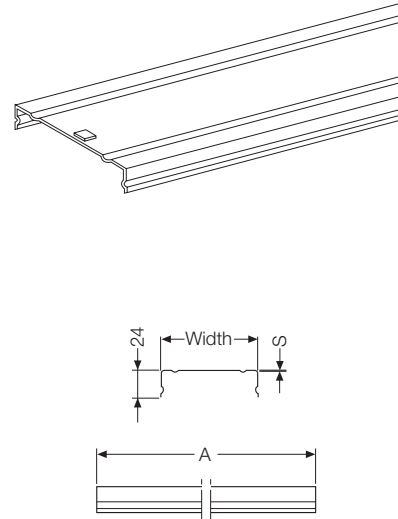
Width	A	S	Weight (kg/m)
100	3000	0.8	1.32
150	3000	0.8	1.61
200	3000	1.0	2.37
300	3000	1.0	3.12
400	3000	1.2	4.64
500	3000	1.2	5.53

**Cable trunking IP40**



Width	A	S	Weight (kg/m)
100	3000	0.8	1.39
150	3000	0.8	1.70
200	3000	1.0	2.50
300	3000	1.0	3.29
400	3000	1.2	4.89
500	3000	1.2	5.82

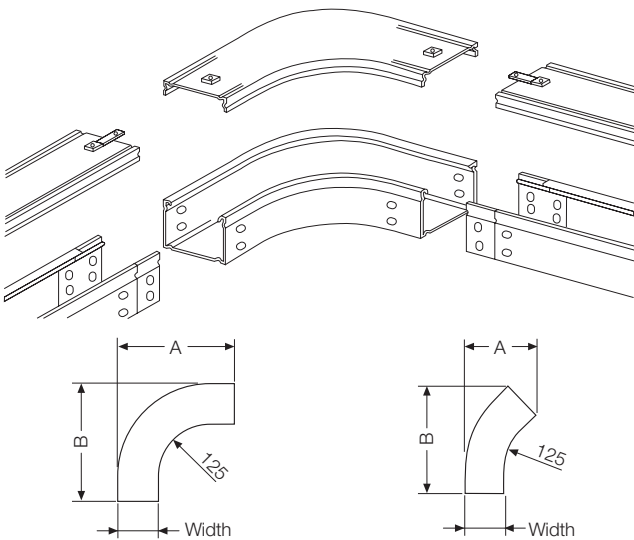
**Cover for cable trunking IP20 and IP40**



Width	A	S	Weight (kg/m)
100	3000	0.6	0.69
150	3000	0.6	0.92
200	3000	0.6	1.16
300	3000	0.6	2.16
400	3000	0.8	2.79
500	3000	0.8	3.48

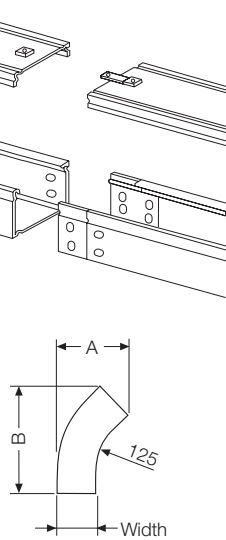
10

**90° horizontal corner**



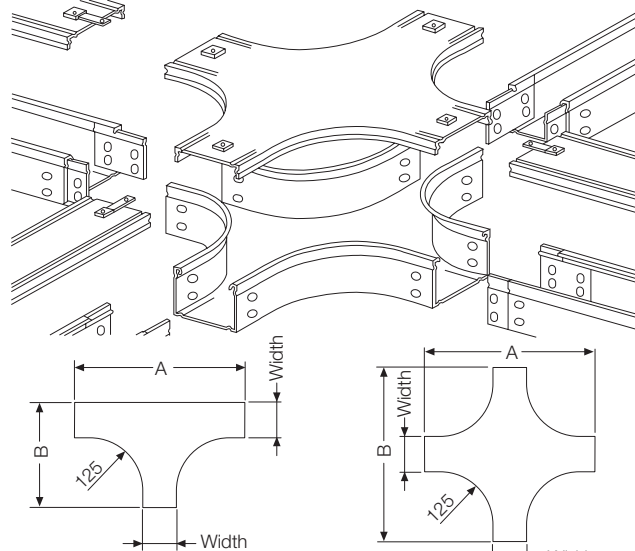
Width	A	B
100	265	265
150	315	315
200	365	365
300	465	465
400	565	565
500	665	665

**45° horizontal corner**



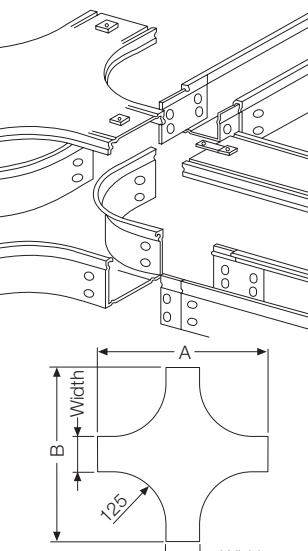
Width	A	B
100	165	227
150	216	263
200	265	298
300	365	369
400	465	440
500	565	510

**Horizontal tee**



Width	A	B
100	430	265
150	480	315
200	510	365
300	630	465
400	730	565
500	830	665

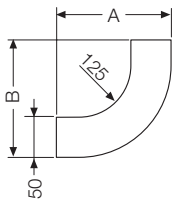
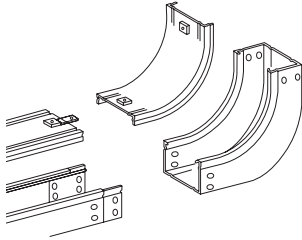
**Horizontal cross**



Width	A	B
100	430	430
150	480	480
200	530	530
300	630	630
400	730	730
500	830	830

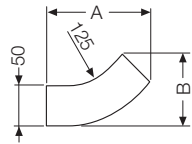
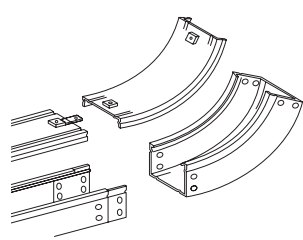
1SLC100009F001

**90° vertical inside fitting**



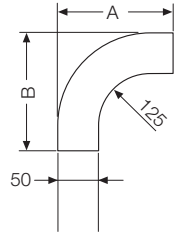
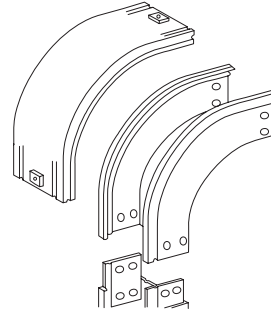
Width	A	B
100	240	240
150	240	240
200	240	240
300	240	240
400	240	240
500	240	240

**45° vertical inside fitting**



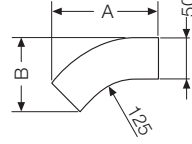
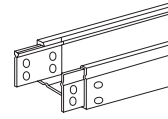
Width	A	B
100	210	140
150	210	140
200	210	140
300	210	140
400	210	140
500	210	140

**90° vertical outside fitting**



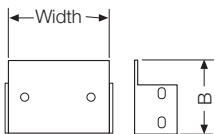
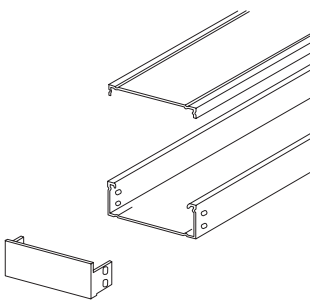
Width	A	B
100	240	240
150	240	240
200	240	240
300	240	240
400	240	240
500	240	240

**45° vertical outside fitting**



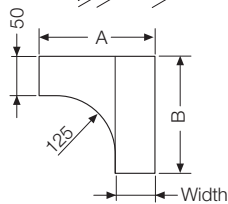
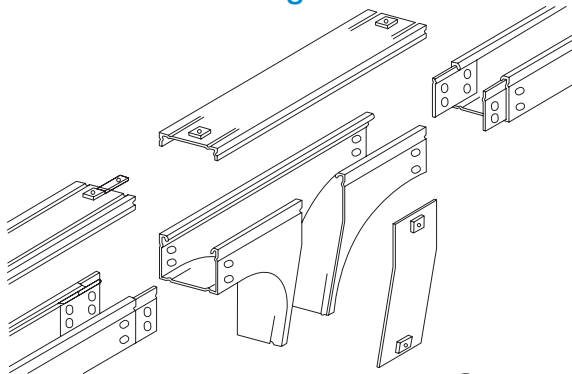
Width	A	B
100	210	140
150	210	140
200	210	140
300	210	140
400	210	140
500	210	140

**End cap**



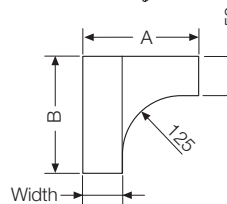
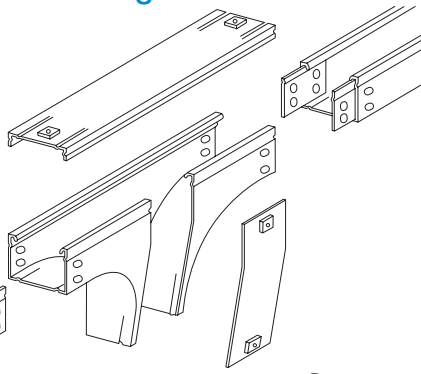
Width	B
100	50
150	50
200	50
300	50
400	50
500	50

**Left 90° outside fitting**



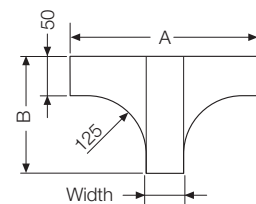
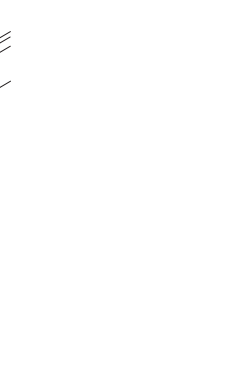
Width	A	B
100	265	370
150	315	370
200	365	370
300	465	370
400	565	370
500	655	370

**Right 90° outside fitting**



Width	A	B
100	265	370
150	315	370
200	365	370
300	465	370
400	565	370
500	655	370

**Vertical tee fitting**



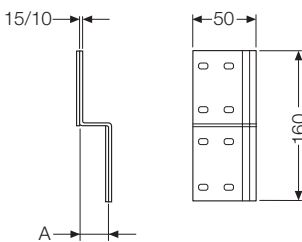
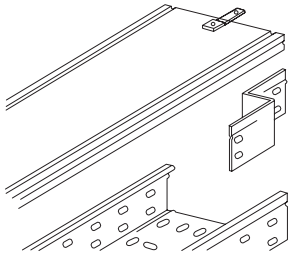
Width	A	B
100	430	370
150	470	370
200	530	370
300	630	370
400	730	370
500	830	370

15L026037F6901

# Overall dimensions

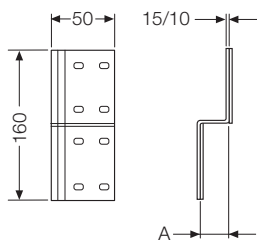
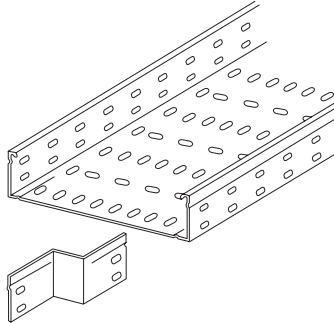
## Sendzimir trunking H 50

Left reducer



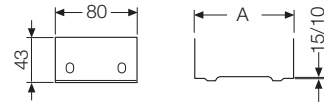
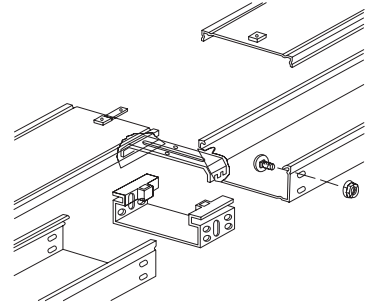
A
50
100
150
200

Right reducer



A
50
100
150
200

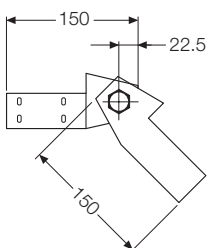
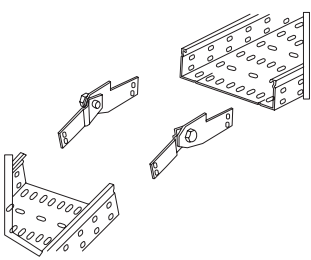
Integral splice plate coupler



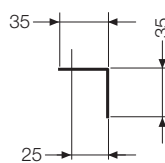
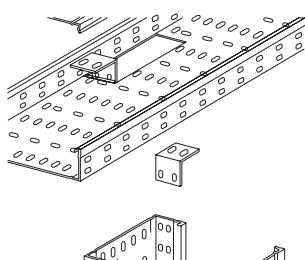
Width	A
100	98.4
150	148.4
200	198
300	298
400	397.6
500	497.6

10

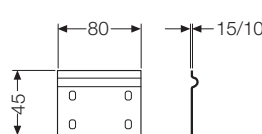
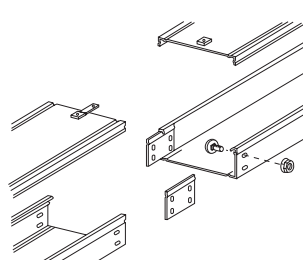
Adjustable coupler



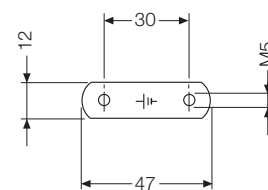
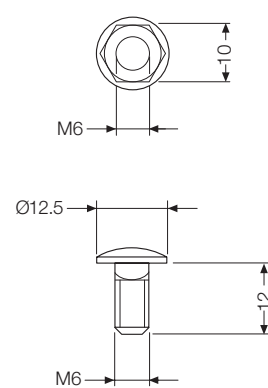
Flange for fastening to switchboards



Splice plate coupler for trunkings



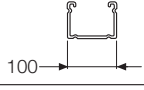
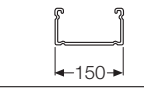
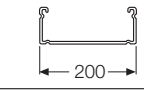
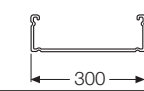
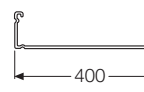
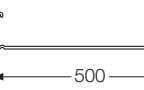
Screw, nut and earth staple



1SLC00038F0901

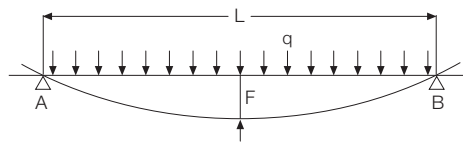
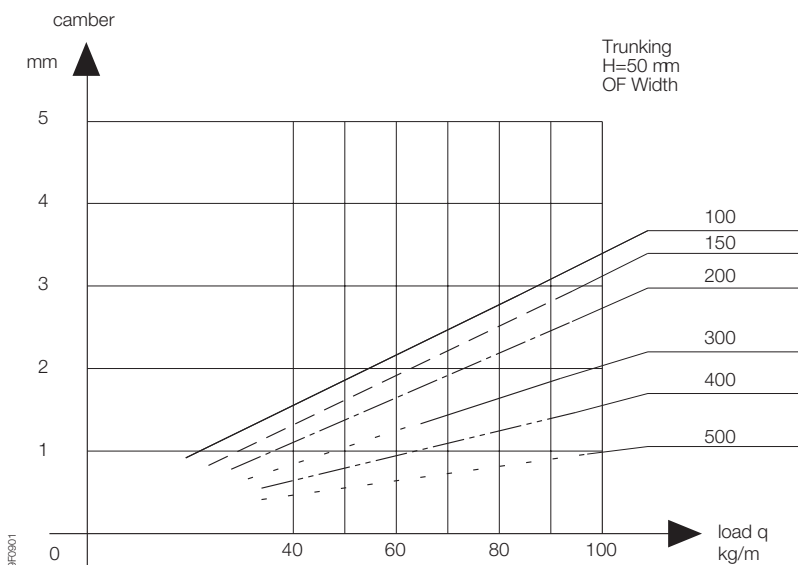


## Trunking sections and number of cables that can be insert

Trunking dimensions	Geometric section of compart. cm <sup>2</sup>	Max. number of H07V-K unipolar wires with reduction coefficient = 50% under CEI 64-8												Max. compatible H07V-K cable for the system sec.mm <sup>2</sup>
		Sec. 6 mm <sup>2</sup>	Sec. 10 mm <sup>2</sup>	Sec. 16 mm <sup>2</sup>	Sec. 25 mm <sup>2</sup>	Sec. 35 mm <sup>2</sup>	Sec. 50 mm <sup>2</sup>	Sec. 70 mm <sup>2</sup>	Sec. 95 mm <sup>2</sup>	Sec. 120 mm <sup>2</sup>	Sec. 150 mm <sup>2</sup>	Sec. 185 mm <sup>2</sup>	Sec. 240 mm <sup>2</sup>	
 100	62	99	69	50	32	24	19	13	10	8	7	5	4	240
 150	100	151	103	76	49	38	28	20	16	13	10	8	7	240
 200	126	202	224	102	65	51	37	27	22	17	14	12	8	240
 300	189	305	244	154	99	76	57	41	33	27	21	17	13	240
 400	253	408	281	207	132	103	76	55	44	36	29	23	17	240
 500	317	510	352	259	166	128	96	69	55	46	36	29	23	240

## Diagrams of maximum loads for metal trunkings H 50

- evenly distributed load (q)
- trunkings/cable trays resting on two single constraints (A, B)
- span 2000 mm (L)
- maximum camber considered at the middle of span (F)
- ambient temperature 20° C

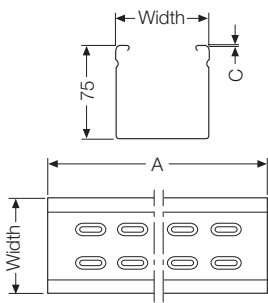
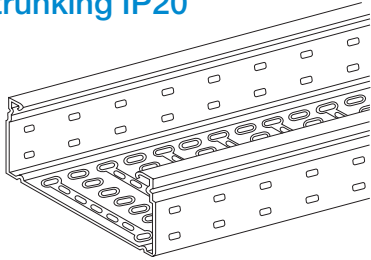


1SLC60039F0601

# Overall dimensions

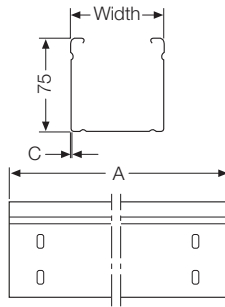
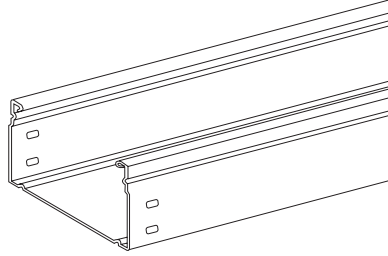
## Sendzimir trunking H 75

### Punched base cable trunking IP20



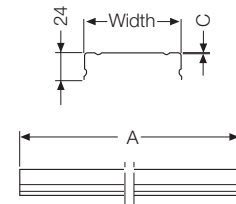
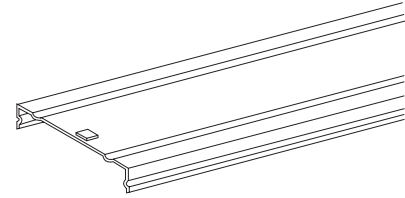
Width	A	C	weight kg/m
75	1000/2000/3000	0.6	1.10
100	1000/2000/3000	0.6	1.22
150	1000/2000/3000	0.6	1.46
200	1000/2000/3000	0.8	2.08
300	1000/2000/3000	1.0	3.40
400	1000/2000/3000	1.2	4.84
500	1000/2000/3000	1.2	5.69

### Cable trunking IP40



Width	A	C	weight kg/m
75	1000/2000/3000	0.6	1.17
100	1000/2000/3000	0.6	1.30
150	1000/2000/3000	0.6	1.55
200	1000/2000/3000	0.8	2.32
300	1000/2000/3000	1.0	3.76
400	1000/2000/3000	1.2	5.37
500	1000/2000/3000	1.2	6.31

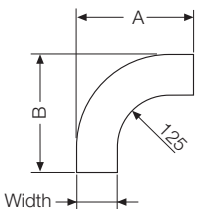
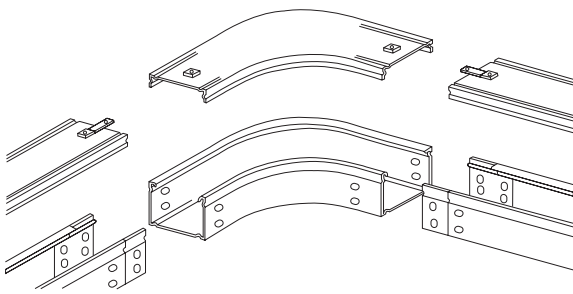
### Cover for cable trunking IP20 and IP40



Width	A	C	weight kg/m
75	1000/2000/3000	0.5	0.48
100	1000/2000/3000	0.5	0.57
150	1000/2000/3000	0.5	0.77
200	1000/2000/3000	0.5	0.96
300	1000/2000/3000	0.5	1.35
400	1000/2000/3000	0.8	2.79
500	1000/2000/3000	0.8	3.48

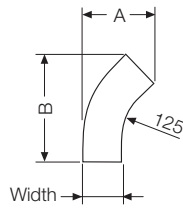
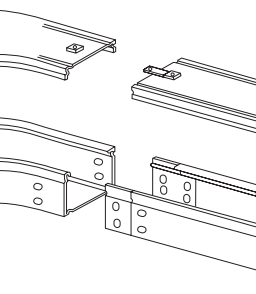
10

### 90° horizontal corner



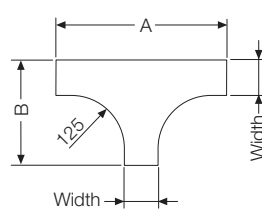
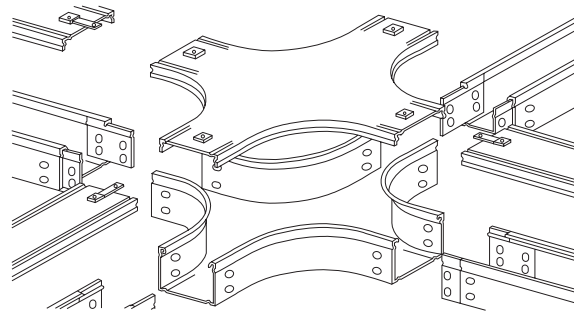
Width	A	B	weight kg
75	240	240	0.94
100	265	265	1.14
150	315	315	1.48
200	365	365	1.86
300	465	465	2.73
400	565	565	3.76
500	665	665	4.95

### 45° horizontal corner



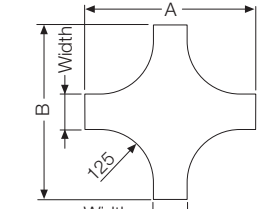
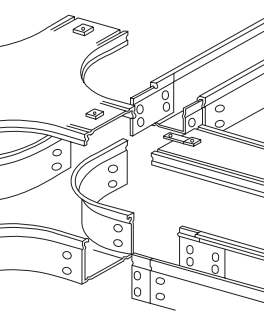
Width	A	B	weight kg
75	140	210	0.53
100	165	227	0.65
150	215	263	0.82
200	265	298	1.00
300	365	369	1.41
400	465	440	1.78
500	565	510	2.40

### Horizontal tee



Width	A	B	weight kg
75	405	240	1.22
100	430	265	1.45
150	480	315	1.83
200	530	365	2.24
300	630	465	3.18
400	730	565	4.28
500	830	665	5.54

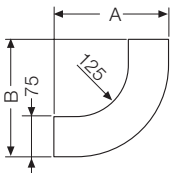
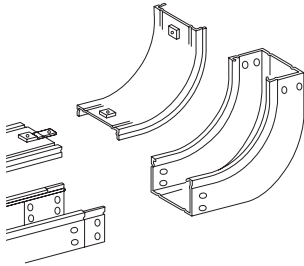
### Horizontal cross



Width	A	B	weight kg
75	405	405	1.20
100	430	430	2.00
150	480	480	2.41
200	530	530	2.86
300	630	630	3.87
400	730	730	5.04
500	830	830	6.37

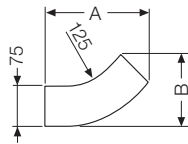
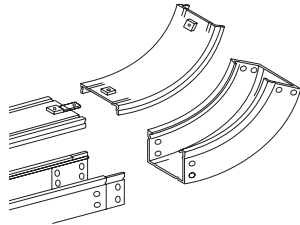
1SL000404F0001

### 90° vertical inside fitting



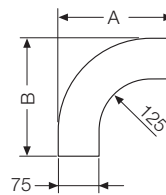
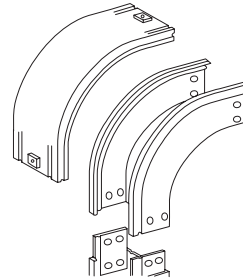
Width	A	B	weight kg
75	240	240	0.82
100	240	240	1.07
150	240	240	1.26
200	240	240	1.44
300	240	240	1.83
400	240	240	2.19
500	240	240	2.56

### 45° vertical inside fitting



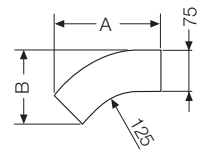
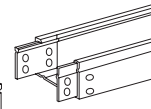
Width	A	B	weight kg
75	210	140	0.84
100	210	140	0.96
150	210	140	0.76
200	210	140	0.87
300	210	140	1.11
400	210	140	1.32
500	210	140	1.55

### 90° vertical outside fitting



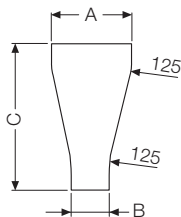
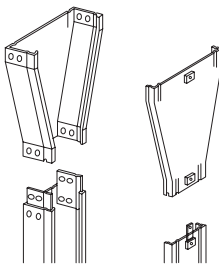
base	A	B	weight kg
75	240	240	0.84
100	240	240	0.96
150	240	240	1.09
200	240	240	1.22
300	240	240	1.48
400	240	240	1.75
500	240	240	2.05

### 45° vertical outside fitting



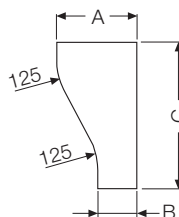
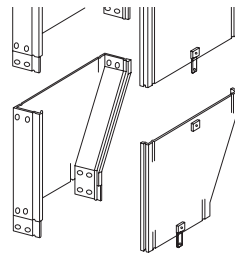
Width	A	B	weight kg
75	210	140	0.50
100	210	140	0.65
150	210	140	0.76
200	210	140	0.87
300	210	140	1.11
400	210	140	1.32
500	210	140	1.55

### Straight reducer

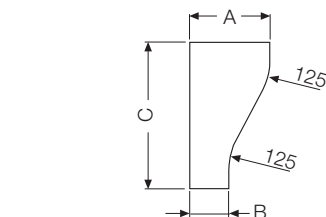


A	B	C	weight kg
100	75	300	1.20
150	75	300	1.25
150	100	300	1.30
200	75	300	1.45
200	100	300	1.51
200	150	300	1.61
300	200	300	2.15
400	300	300	2.55
500	400	300	3.01

### Left and right reducer



A	B	C	weight kg
100	75	300	1.00
150	75	300	1.23
150	100	300	1.27
200	75	300	1.42
200	100	300	1.49
200	150	300	1.57
300	200	300	1.90
400	300	300	2.58
500	400	300	3.05



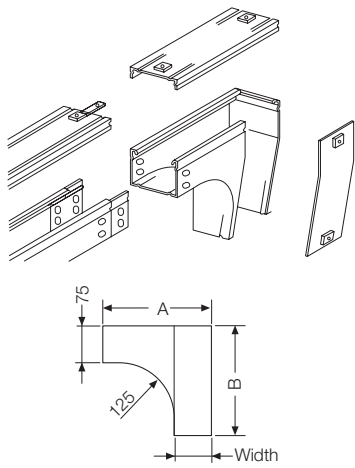
A	B	C	weight kg
100	75	300	1.00
150	75	300	1.23
150	100	300	1.27
200	75	300	1.42
200	100	300	1.49
200	150	300	1.57
300	200	300	1.90
400	300	300	2.58
500	400	300	3.05

1SLCB0041F0901

# Overall dimensions

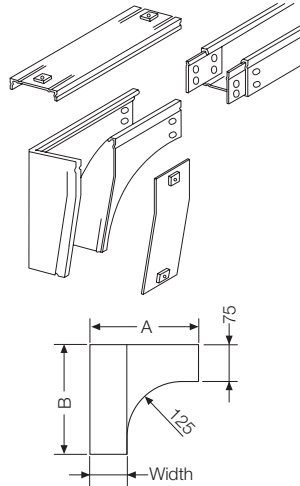
## Sendzimir trunking H 75

### Left 90° outside fitting

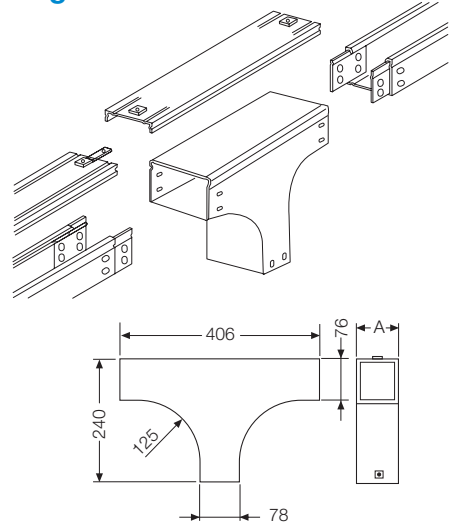


Width	A	B	weight kg
75	240	370	1.25
100	265	370	1.48
150	315	370	1.78
200	365	370	2.67
300	465	370	3.20
400	565	370	6.90
500	665	370	9.30

### Right 90° outside fitting

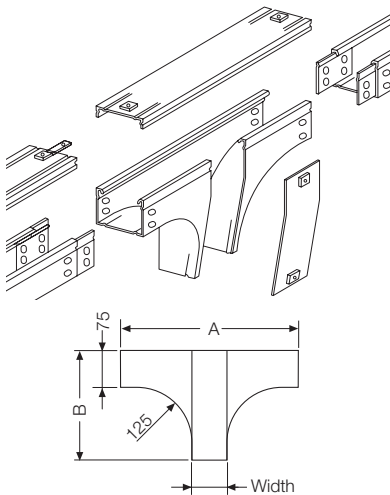


### Vertical tee without level gradient



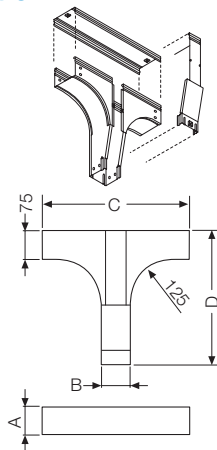
A	weight kg
75	1.50
100	1.75
150	2.11
200	2.37
300	3.02
400	3.74
500	4.47

### Vertical tee with level gradient



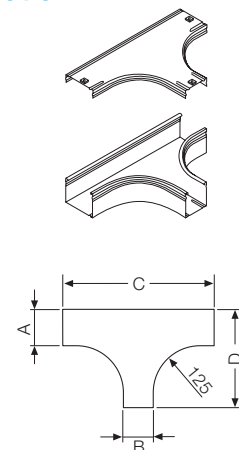
Width	A	B	weight kg
75	405	370	2.75
100	430	370	2.85
150	480	370	3.25
200	530	370	3.60
300	630	370	4.40
400	730	370	7.43
500	830	370	10.33

### Horizontal tee with reduction



A	B	C	D	weight kg
100	75	405	370	2.13
150	75	405	370	2.53
150	100	430	370	2.66
200	75	405	370	2.9
200	100	430	370	3.09
200	150	480	370	3.45
300	75	405	370	3.69
300	100	430	370	3.9
300	150	480	370	4.32
300	200	530	370	4.8

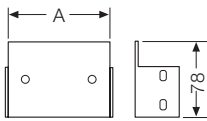
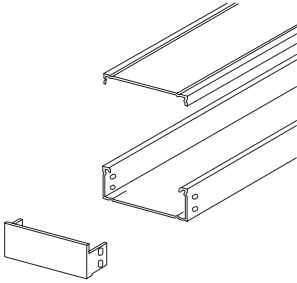
### Horizontal tee with reduction



A	B	C	D	weight kg
100	75	407	266	1.7
150	75	407	316	1.97
150	100	432	316	2.08
200	75	407	366	2.26
200	100	432	366	2.40
200	150	482	366	2.69
300	75	407	466	2.80
300	100	432	466	2.96
300	150	482	466	3.40
300	200	532	466	3.76

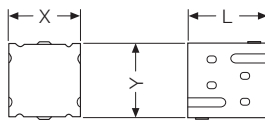
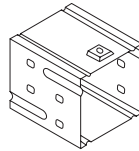
15LCS0042F0001

## End cap



A	weight kg
75	0.085
100	0.100
150	0.135
200	0.170
300	0.240
400	0.310
500	0.380

## Straight inversion element

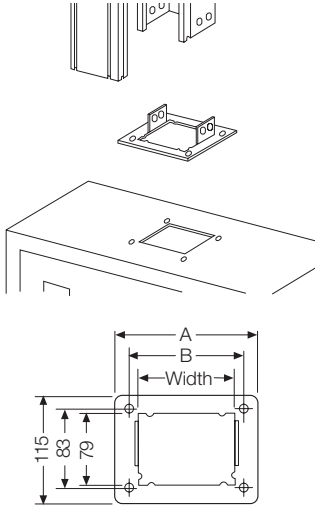


Base	X	Y	L
75	75	78.5	85
100	100	78.5	85
150	150	78.5	85
200	200	78.5	85
300	300	78.5	85
400	400	78.5	85
500	500	78.5	85

# Overall dimensions

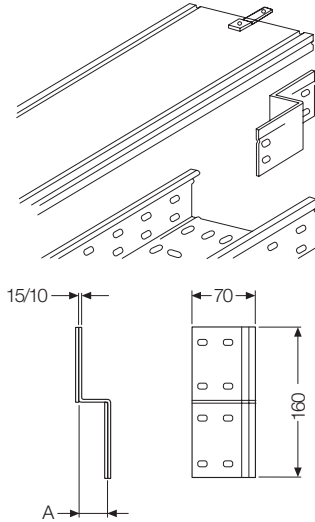
## Sendzimir trunking H 75

### Coupler flange for fastening to switchboards



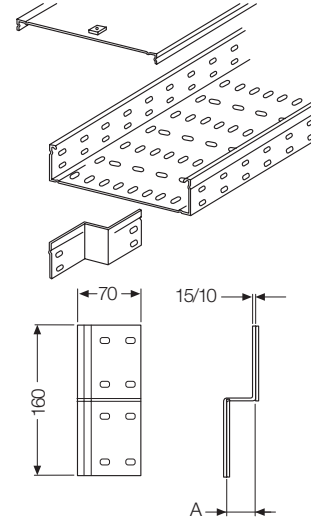
Width	A	B	weight kg
75	125	93	0.14
100	150	118	0.16
150	200	168	0.18
200	250	218	0.20
300	350	318	0.25
400	450	418	0.32
500	550	518	0.38

### Left reducer



A	weight kg
50	0.13
100	0.16
150	0.20
200	0.23

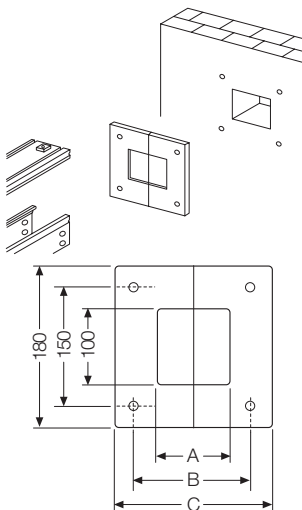
### Right reducer



A	weight kg
50	0.13
100	0.16
150	0.20
200	0.23

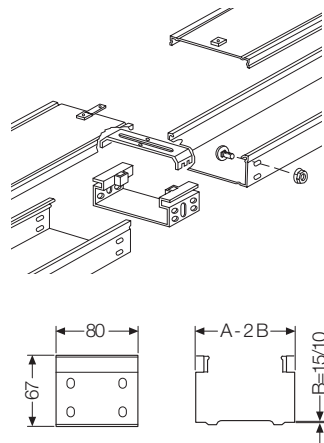
10

### Wall flange



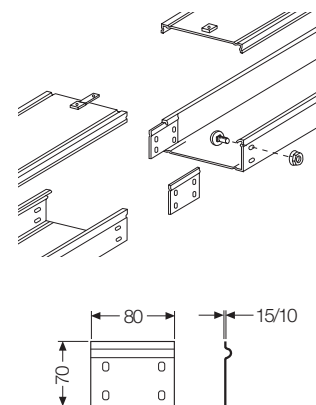
A	B	C	weight kg
75	145	180	0.45
100	165	200	0.48
150	215	250	0.6
200	265	300	0.73
300	365	400	0.96
400	465	500	1.19
500	565	600	1.41

### Integral coupler and retainer



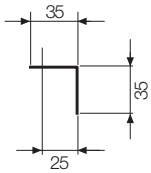
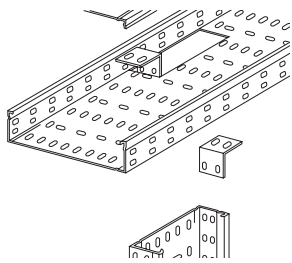
A	weight kg
75	0.24
100	0.34
150	0.50
200	0.68
300	1.02
400	1.36
500	1.70

### Coupler

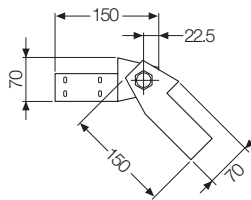
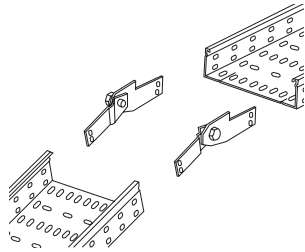


1SLC0044F6901

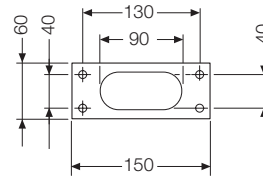
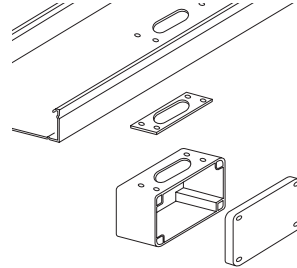
### Vertical coupler fixed at 90°



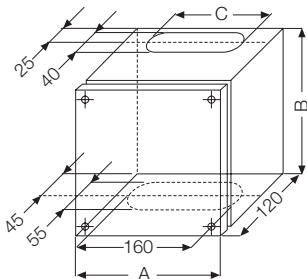
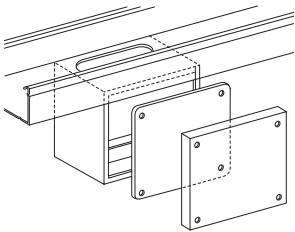
### Adjustable coupler



### Branch connection coupler

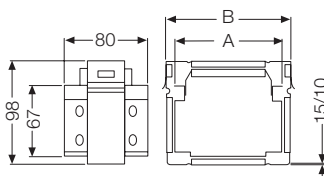
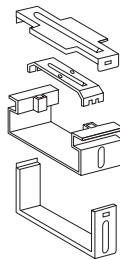


### Metal branch connection box IP55



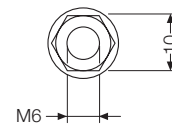
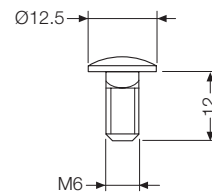
Part Number	A	B	C
1SL7857A00	200	200	140
1SL7858A00	300	300	240
1SL7859A00	400	400	340
1SL7860A00	600	600	540

### IP44 coupler



A	B
75	93
100	118
150	168
200	218
300	318
400	418
500	518

### Screws and nut

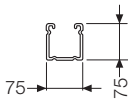
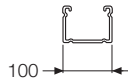
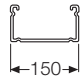
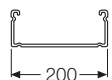





1SLC80045FF0001

# Overall dimensions

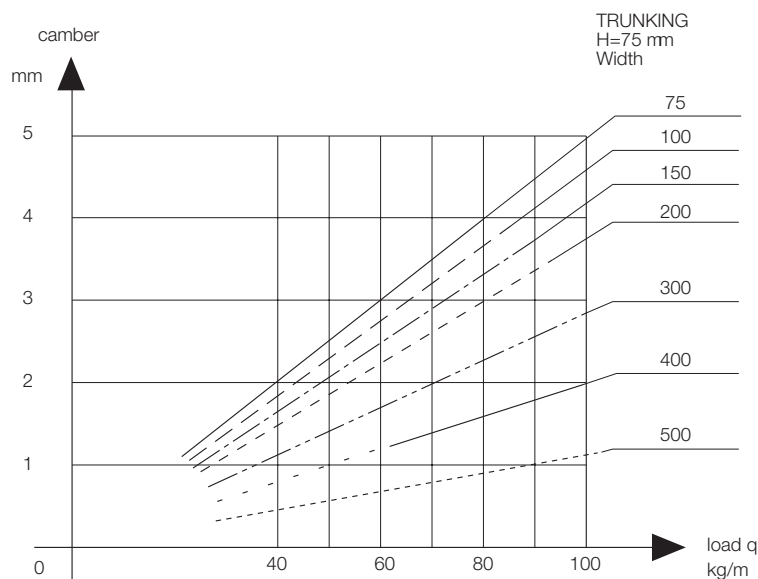
## Sendzimir trunking H 75

### Trunking sections and number of cables that can be insert

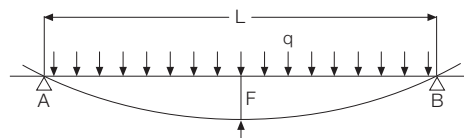
Trunking dimensions	Geometric section of compart. cm <sup>2</sup>	Max number of H070-K single pole wires with reduction coefficient = 50% under CEI 64-8												max compatible H070V-K cable for the system sec. mm <sup>2</sup>
		Sez. 6 mm <sup>2</sup>	Sez. 10 mm <sup>2</sup>	Sec. 16 mm <sup>2</sup>	Sec. 25 mm <sup>2</sup>	Sec. 35 mm <sup>2</sup>	Sec. 50 mm <sup>2</sup>	Sec. 70 mm <sup>2</sup>	Sec. 95 mm <sup>2</sup>	Sec. 120 mm <sup>2</sup>	Sec. 150 mm <sup>2</sup>	Sec. 185 mm <sup>2</sup>	Sec. 240 mm <sup>2</sup>	
	54,25	87	60	44	28	22	16	11	9	7	6	5	4	240
	73	117	81	59	38	29	22	16	12	10	8	6	5	240
	110,5	178	122	90	58	45	33	24	19	16	12	10	8	240
	148	238	264	121	77	60	44	32	26	21	17	14	10	240
	223	359	287	182	117	90	67	49	39	32	25	21	16	240
	298	480	331	244	156	121	90	65	52	43	34	28	21	240
	373	601	414	305	196	151	113	82	65	54	43	35	27	240

10

### Diagrams of maximum loads for metal trunkings H 75



- evenly distributed load (q)
- trunkings/cable trays resting on two single constraints (A, B)
- span 2000 mm (L)
- maximum camber considered at the middle of span (F)
- ambient temperature 20 °C

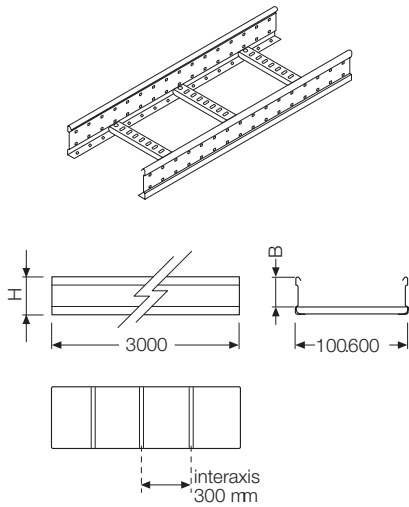




# Overall dimensions

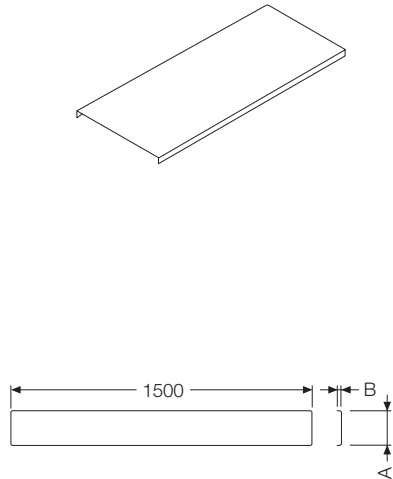
## Cable trays-hot dip galvanized after fabrication

### Cable ladder



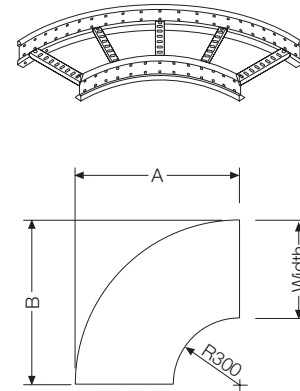
H	B (working space)
60	40
100	80
130	110

### Cover



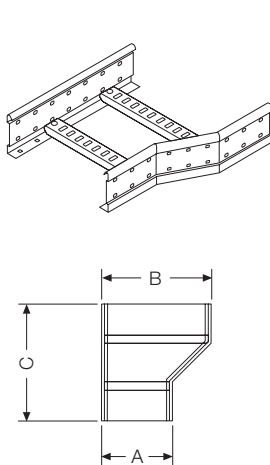
A	B	thickness
100	26.3	1.2
200	26.3	1.2
300	26.3	1.2
400	26.3	1.2
500	26.3	1.2
600	26.3	1.2

### 90° horizontal corner



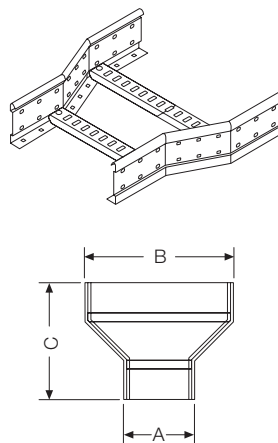
Width	A	B
100	545	545
200	645	645
300	745	745
400	845	845
500	945	945
600	1045	1045

### Right reducer



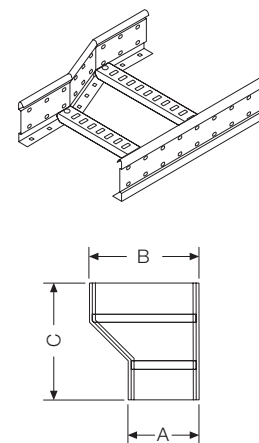
A	B	C
100	200	600
100	300	600
200	300	600
200	400	600
300	400	600
300	500	600
400	500	600
400	600	600
500	600	600

### Straight reducer



A	B	C
100	200	600
100	300	600
200	300	600
200	400	600
300	400	600
300	500	600
400	500	600
400	600	600
500	600	600

### Left reducer



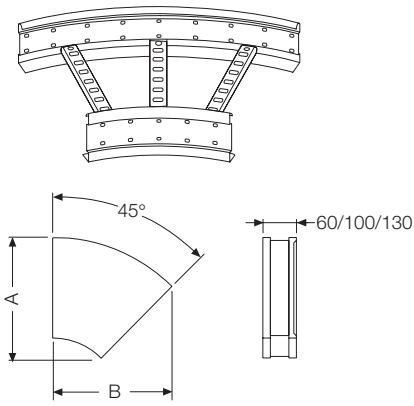
A	B	C
100	200	600
100	300	600
200	300	600
200	400	600
300	400	600
300	500	600
400	500	600
400	600	600
500	600	600

1SLC8048F001

# Overall dimensions

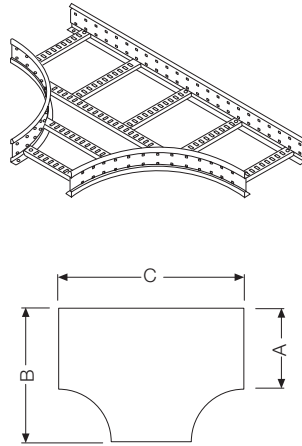
## Cable trays-hot dip galvanized after fabrication

### 45° horizontal corner



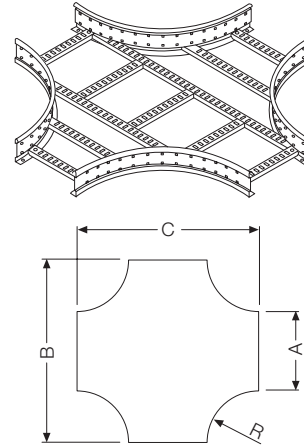
Width	A	B
100	290	530
200	390	601
300	490	672
400	590	742
500	690	813
600	790	884

### Horizontal tee



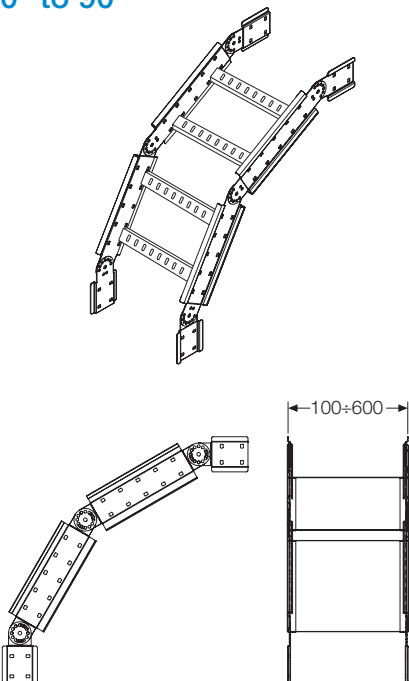
A	B	C
100	545	990
200	645	1090
300	745	1190
400	845	1290
500	945	1390
600	1045	1490

### Horizontal cross

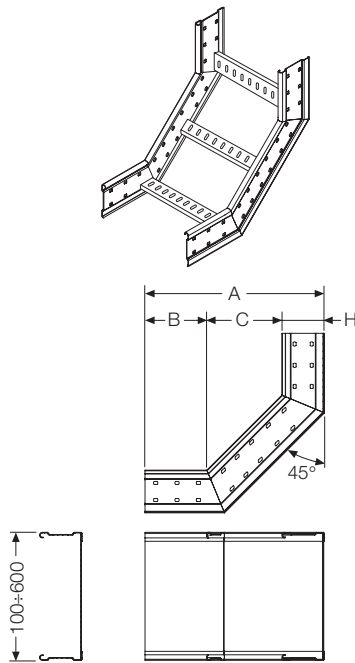


A	B	C
100	990	990
200	1090	1090
300	1190	1190
400	1290	1290
500	1390	1390
600	1490	1490

### 10 Vertical inside and outside fitting adjustable from 0° to 90°

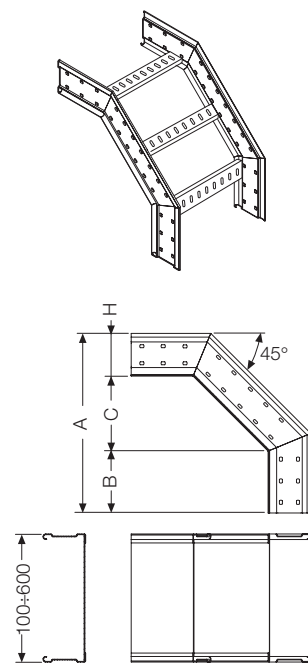


### 90° vertical inside fitting



H	A	B	C
60	380.7	145	175.7
100	420.7	145	175.7
130	450.7	145	175.7

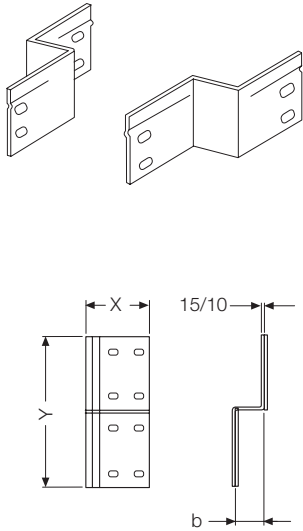
### 90° vertical outside fitting



H	A	B	C
60	380.7	145	175.7
100	420.7	145	175.7
130	450.7	145	175.7

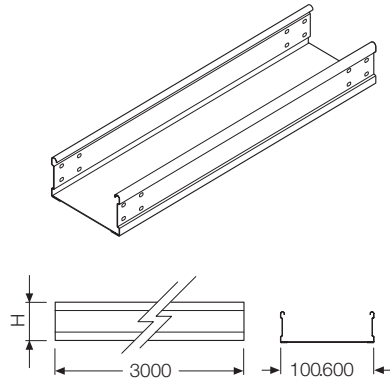
1SLC20048FT0901

### Left and right reducing couplers



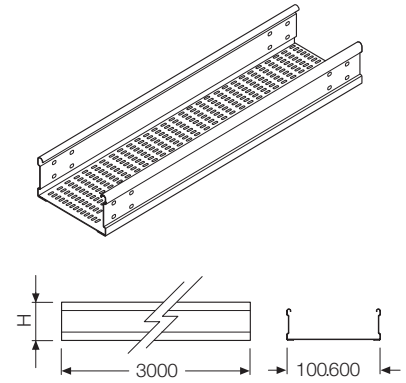
b	Y
50	180
100	180
200	180

### Solid bottom cable tray



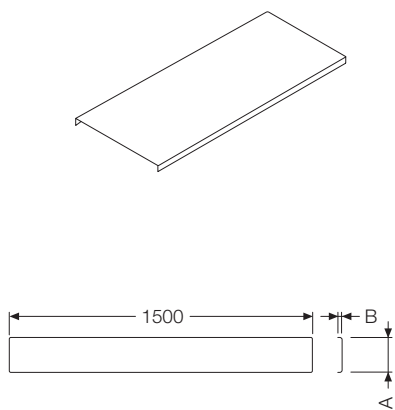
H	thickness
60	1.2
100	1.2
130	1.2

### Punched base cable tray



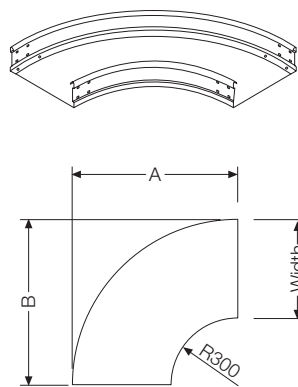
H	thickness
60	1.2
100	1.2
130	1.2

### Cover



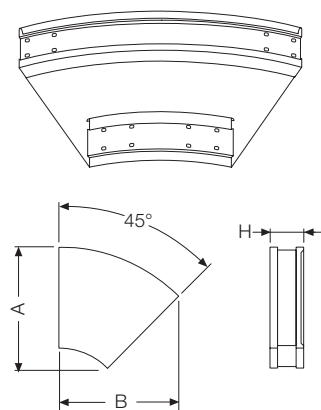
A	B	thickness
100	26.3	1.2
200	26.3	1.2
300	26.3	1.2
400	26.3	1.2
500	26.3	1.2
600	26.3	1.2

### 90° horizontal corner



Width	A	B
100	545	545
200	645	645
300	745	745
400	845	845
500	945	945
600	1045	1045

### 45° horizontal corner

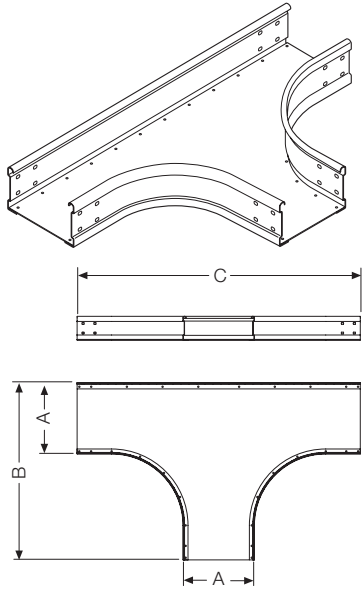


Width	A	B
100	290	530
200	390	601
300	490	672
400	590	742
500	690	813
600	790	884

# Overall dimensions

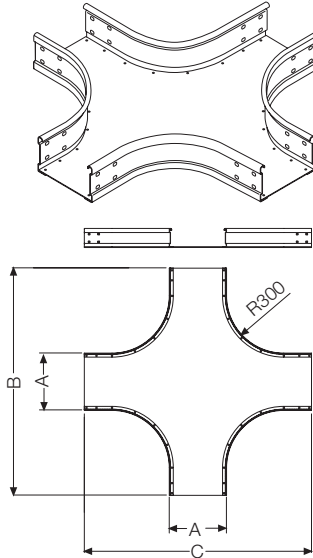
## Cable trays-hot dip galvanized after fabrication

### Horizontal tee



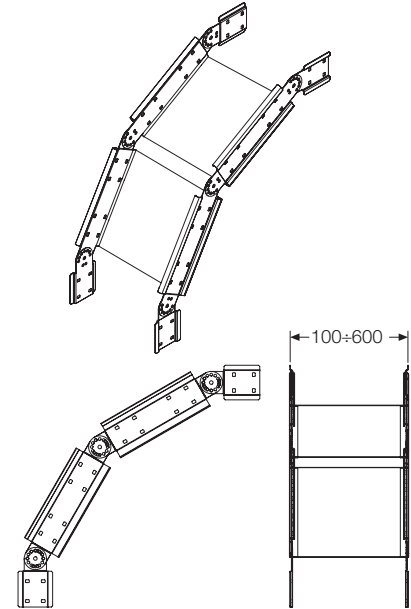
A	B	C
100	545	990
200	645	1090
300	745	1190
400	845	1290
500	945	1390
600	1045	1490

### Horizontal cross



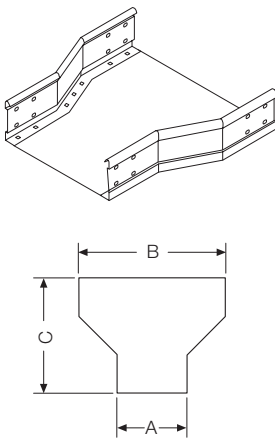
A	B	C
100	990	990
200	1090	1090
300	1190	1190
400	1290	1290
500	1390	1390
600	1490	1490

### Vertical inside/outside fitting adjustable from 0° to 90°



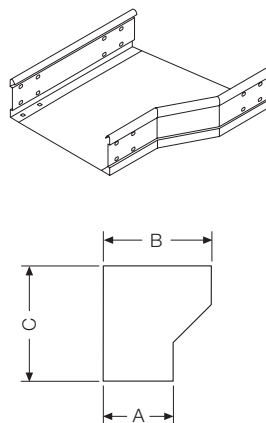
10

### Straight reducer



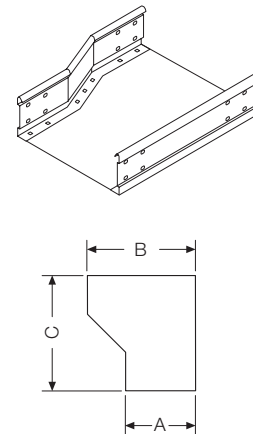
A	B	C
100	200	600
100	300	600
200	300	600
200	400	600
300	400	600
300	500	600
400	500	600
400	600	600
500	600	600

### Right reducer



A	B	C
100	200	600
100	300	600
200	300	600
200	400	600
300	400	600
300	500	600
400	500	600
400	600	600
500	600	600

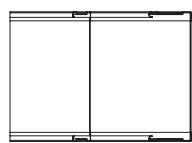
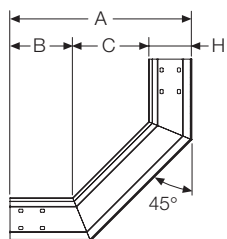
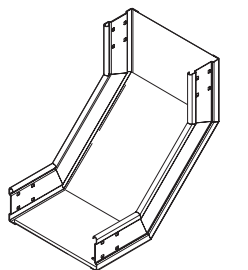
### Left reducer



A	B	C
100	200	600
100	300	600
200	300	600
200	400	600
300	400	600
300	500	600
400	500	600
400	600	600
500	600	600

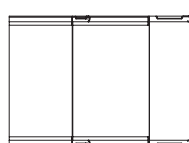
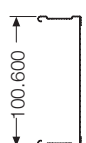
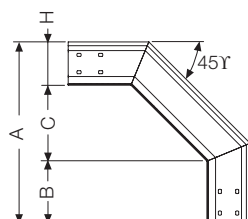
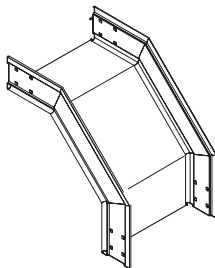
18.LC90029F0901

### 90° vertical inside fitting



H	A	B	C
60	380.7	145	175.7
100	420.7	145	175.7
130	450.7	145	175.7

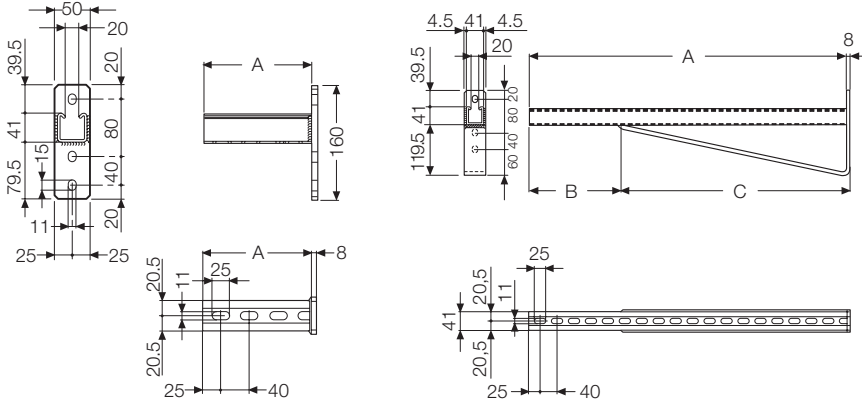
### 90° vertical outside fitting



H	A	B	C
60	380.7	145	175.7
100	420.7	145	175.7
130	450.7	145	175.7

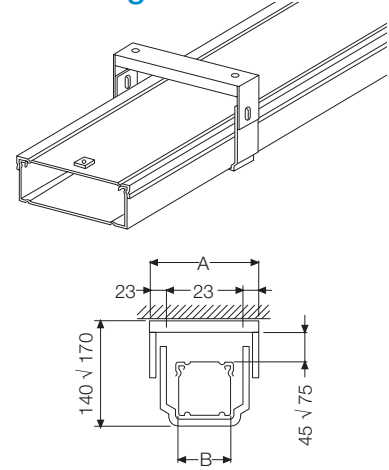


### Alfen profile bracket



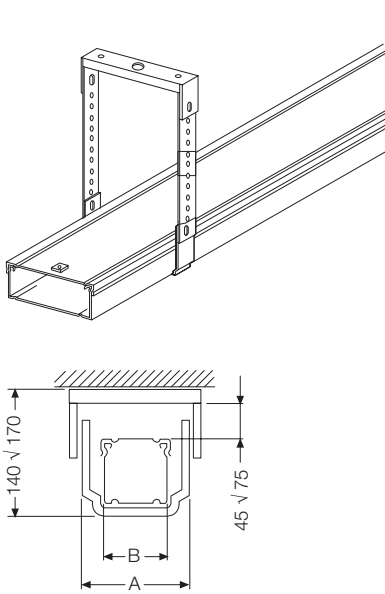
Part Number	A	B	C	capacity (N)p
09 770	150	-	-	2000
09 771	250	-	-	1700
09 772	350	-	-	1500
09 773	450	-	-	1300
09 774	550	214	344	2500
09 775	650	314	344	2200
09 776	750	214	543	2500
09 777	850	314	543	2400
09 778	950	414	543	2300
09 779	1050	514	543	2200

### Cross piece for fastening to the ceiling



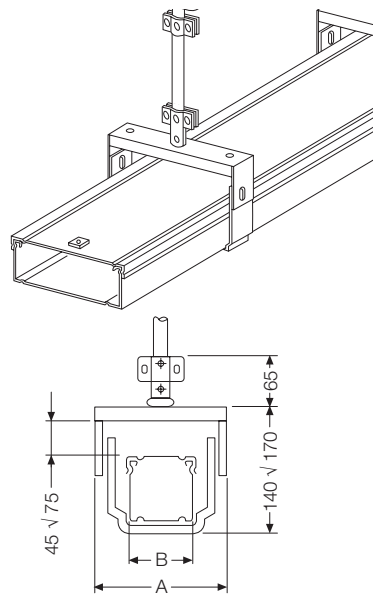
Part Number	A	B
07 941 - 1SL7951A00 - 08 831	106	75
07 942 - 1SL7952A00 - 08 832	131	100
07 943 - 1SL7953A00 - 08 833	181	150
07 944 - 1SL7954A00 - 08 834	231	200
07 945 - 1SL7955A00 - 08 835	331	300

### Support for suspension



Part Number	A	B
07 961 - 1SL7971 - 08 841	103	75
07 962 - 1SL7972 - 08 842	128	100
07 963 - 1SL7973 - 08 843	178	150
07 964 - 1SL7974 - 08 844	228	200
07 965 - 1SL7975 - 08 845	328	300

### Cross piece with conduit-tightening collar Ø 22 mm



Part Number	A	B
07 921 - 1SL7931 - 08 821	106	75
07 922 - 1SL7932 - 08 822	131	100
07 923 - 1SL7933 - 08 823	181	150
07 924 - 1SL7934 - 08 824	231	200
07 925 - 1SL7935 - 08 825	331	300

1SLC8005/F0901

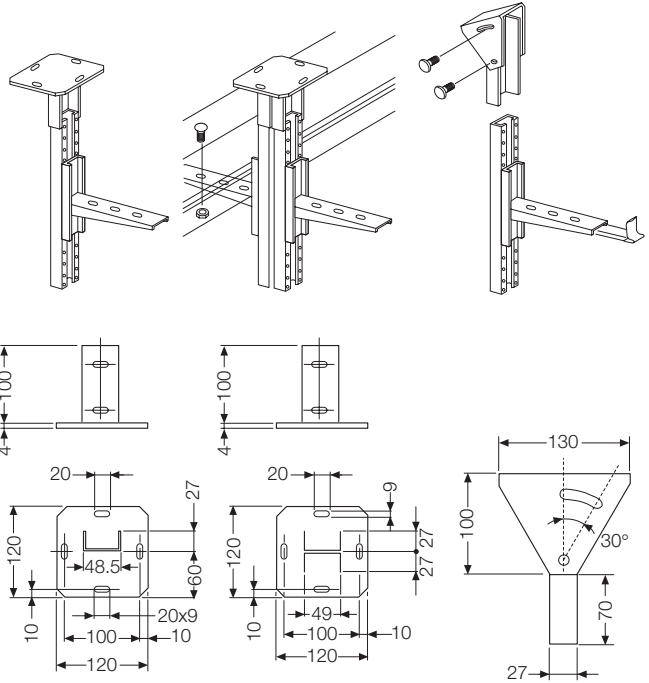
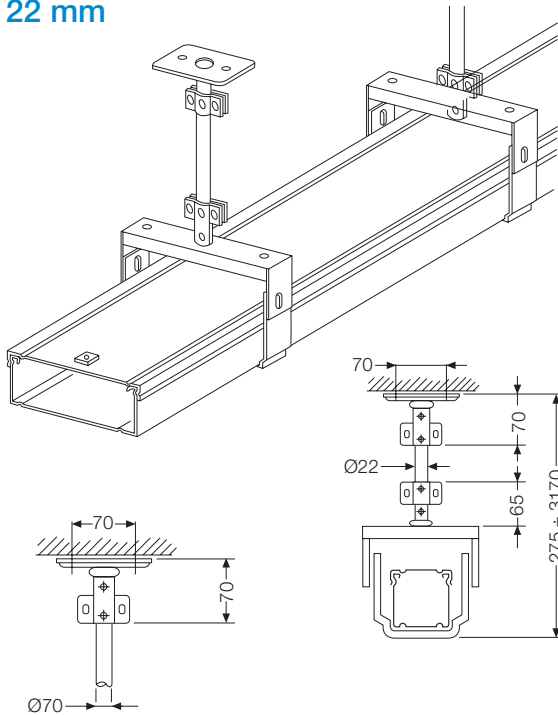
# Overall dimensions

## Suspension systems for industrial trunking

### Plate with conduit-tightening collar Ø 22 mm

### Conduit Ø 22 mm

### Ceiling anchor plate

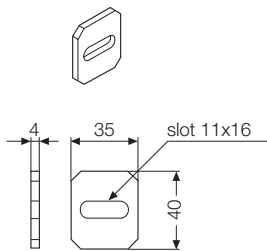


Part Number  
07 978 - 1SL7979 - 08 854

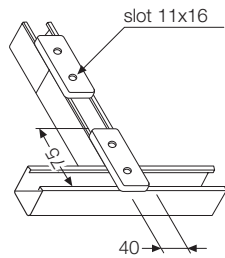
Part Number  
07 982 - 1SL7983 - 08 862

Part Number	Part Number	Part Number
07 986 - 1SL7987A00	07 988 - 1SL79897A00	07 990 - 1SL79991A00
08 851	08 852	08 853

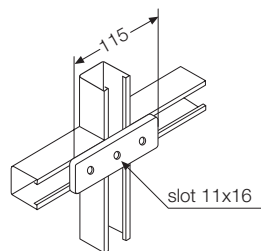
## 10 Flat punched fastening



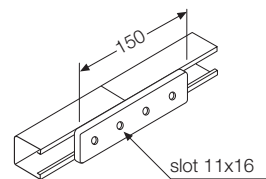
Part Number  
07 437



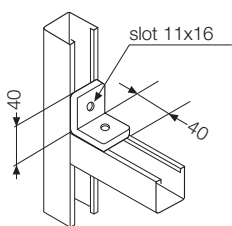
Part Number  
07 967



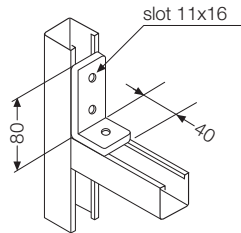
Part Number  
07 976



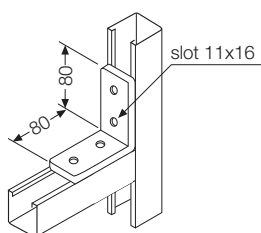
Part Number  
07 968



Part Number  
07 969



Part Number  
07 977

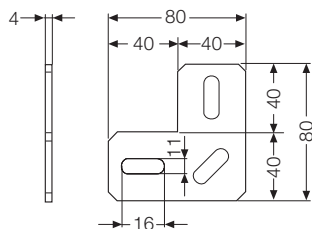
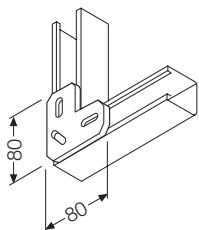


Part Number  
07 970

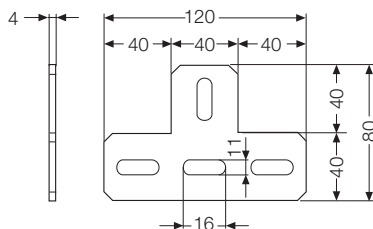
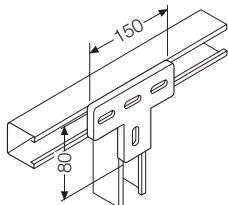
1SLCR038FC001



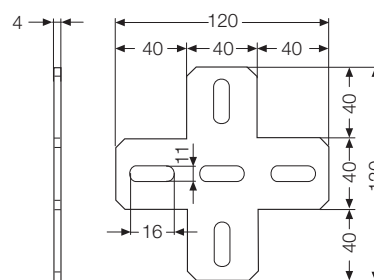
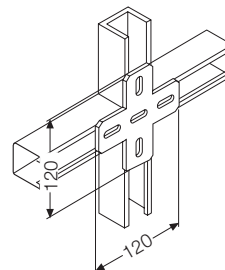
## 90°, tee and cross punched fastening plate



Part Number  
07 980



Part Number  
07 981

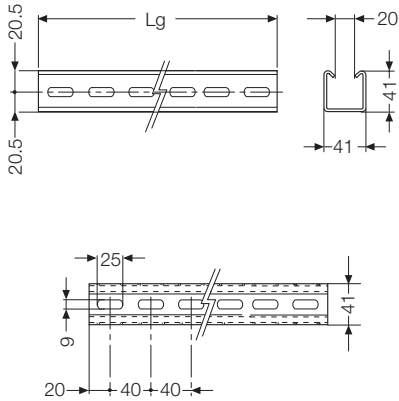


Part Number  
07 438

# Overall dimensions

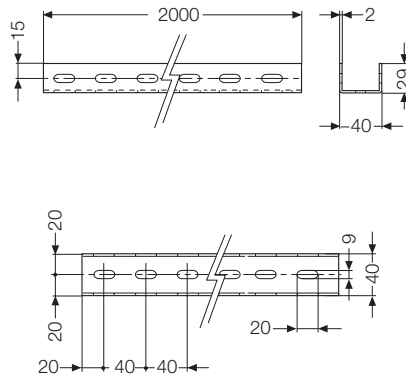
## Suspension systems for industrial trunking

### Punched profile for anchorage screw



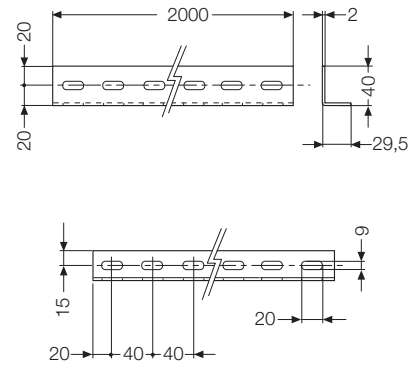
Part Number	Lg
07 956	2000 mm
1SL9895A00	3000 mm
1SL9896A00	3000 mm

### “C” profile



Part Number
07 958 - 1SL7948A00 - 08 864

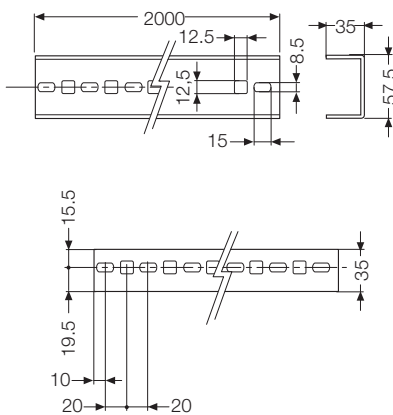
### Multi-purpose “L” profile



Part Number
07 957 - 1SL7947A00 - 08 863

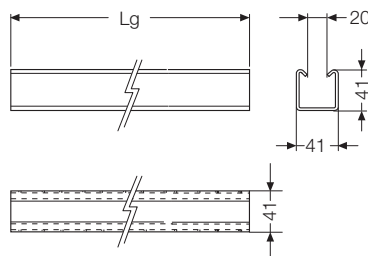
10

### Heavy “C” profile



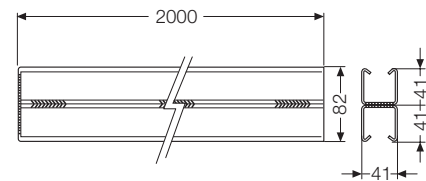
Part Number
07 959

### Blind profile for anchor screw



Part Number	Lg
07 926	2000 mm
1SL9897A00	3000 mm

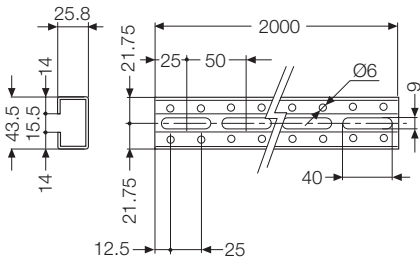
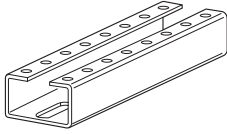
### Double blind profile



Part Number
07 927

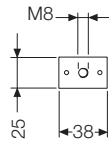
1SLC90060F0901

## "C" profile for suspension



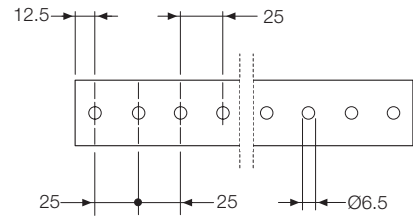
Part Number  
07 992 - 1SL7993A00 - 08 861

## Blocking plate for "C" profile



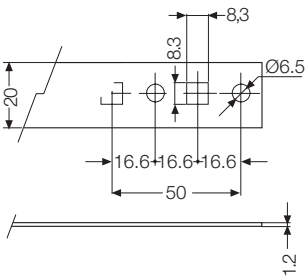
Part Number  
07 995

## Galvanized punched bar



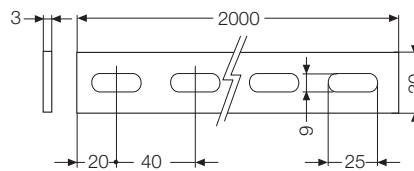
Part Number  
07 996

## Light-duty punched bars



Part Number  
07 997

## Horizontal punched profile



Part Number  
07 966



# Code list

# Code list

Article	Chapter/Page
00 059	3/9
00 059	5/5
00 059	5/7
01 151	3/5
01 160	3/5
01 163	3/5
01 171	3/5
01 180	3/5
01 183	3/5
01 252	3/5
01 260	3/5
01 263	3/5
01 272	3/5
01 280	3/5
01 283	3/5
01 352	3/6
01 360	3/6
01 363	3/6
01 372	3/6
01 380	3/6
01 383	3/6
01 452	3/6
01 460	3/6
01 463	3/6
01 472	3/6
01 480	3/6
01 483	3/6
01 552	3/6
01 560	3/6
01 563	3/6
01 572	3/6
01 580	3/6
01 583	3/6
01 652	3/7
01 660	3/7
01 663	3/7
01 672	3/7
01 680	3/7
01 683	3/7
01 752	3/7
01 760	3/7
01 763	3/7
01 772	3/7
01 780	3/7
01 783	3/7
01 801	3/8
01 802	3/8
01 804	3/8
01 805	3/8
01 808	3/8
01 810	3/8
01 814	3/8
01 816	3/8
01 820	3/8
01 821	3/8
01 825	3/9
01 826	3/9
01 827	3/9
01 828	3/9
01 831	3/9

Article	Chapter/Page
01 832	3/9
01 832	5/4
01 833	5/4
01 930	3/7
01 932	3/7
01 934	3/7
01 940	3/7
01 942	3/7
01 944	3/7
02 011	5/3
02 013	5/3
02 014	5/3
02 016	5/3
02 017	5/3
02 018	5/4
02 023	5/3
02 024	5/3
02 026	5/3
02 027	5/3
02 029	5/3
02 030	5/3
02 033	5/3
02 034	5/3
02 043	5/4
02 044	5/4
02 047	5/4
02 048	5/4
02 050	5/4
02 051	5/4
02 053	5/4
02 054	5/4
02 057	5/4
02 058	5/4
02 060	5/4
02 061	5/4
02 063	5/5
02 064	5/5
02 066	5/5
02 067	5/5
02 069	5/5
02 070	5/5
02 073	5/5
02 074	5/5
02 076	5/5
02 077	5/5
02 093	5/4
02 094	5/4
02 097	5/4
02 098	3/9
02 098	5/4
02 099	3/9
02 103	5/5
02 104	5/5
02 107	5/5
02 108	5/5
02 109	5/5
02 110	5/5
02 513	5/7
02 514	5/7
02 515	5/7

Article	Chapter/Page
02 523	5/7
02 524	5/7
02 533	5/7
02 534	5/7
02 535	5/7
02 543	5/7
02 544	5/7
02 545	5/7
03 042	4/3
03 043	4/3
03 044	4/3
03 045	4/3
03 046	4/3
03 053	4/3
03 054	4/3
03 055	4/3
03 056	4/3
03 057	4/3
03 058	4/3
03 065	4/3
03 066	4/3
03 067	4/3
03 068	4/3
03 115	4/4
03 116	4/4
03 125	4/4
03 126	4/4
03 127	4/4
03 128	4/4
03 137	4/4
03 138	4/4
03 192	4/5
03 193	4/5
03 194	4/5
03 195	4/5
03 196	4/5
03 203	4/5
03 204	4/5
03 205	4/5
03 206	4/5
03 207	4/5
03 208	4/5
03 215	4/5
03 216	4/5
03 217	4/5
03 218	4/5
03 272	4/6
03 273	4/6
03 274	4/6
03 275	4/6
03 276	4/6
03 283	4/6
03 284	4/6
03 285	4/6
03 286	4/6
03 287	4/6
03 288	4/6
03 295	4/6
03 296	4/6
03 297	4/6

Article	Chapter/Page
03 298	4/6
03 352	4/7
03 353	4/7
03 354	4/7
03 355	4/7
03 356	4/7
03 363	4/7
03 364	4/7
03 365	4/7
03 366	4/7
03 367	4/7
03 368	4/7
03 375	4/7
03 376	4/7
03 377	4/7
03 378	4/7
03 432	4/8
03 433	4/8
03 434	4/8
03 435	4/8
03 436	4/8
03 443	4/8
03 444	4/8
03 445	4/8
03 446	4/8
03 447	4/8
03 448	4/8
03 455	4/8
03 456	4/8
03 457	4/8
03 458	4/8
03 515	4/9
03 528	4/9
03 538	4/9
03 572	4/8
03 573	4/8
03 574	4/8
03 575	4/8
03 576	4/8
03 585	4/8
03 586	4/8
03 626	4/15
03 627	4/15
03 628	4/15
03 642	4/14
03 643	4/14
03 644	4/14
03 645	4/14
03 646	4/14
03 647	4/14
03 648	4/14
03 653	4/14
03 654	4/14
03 655	4/14
03 656	4/14
03 657	4/14
03 665	4/14
03 666	4/14
03 667	4/14
03 668	4/14

Article	Chapter/Page
03 675	4/14
03 676	4/14
03 678	4/14
03 679	4/14
03 686	4/9
03 687	4/9
03 696	4/11
03 697	4/11
03 711	4/10
03 712	4/10
03 713	4/10
03 720	4/10
03 724	4/9
03 726	4/10
03 730	4/10
03 734	4/10
03 735	4/9
03 736	4/9
03 737	4/9
03 738	4/10
03 739	4/10
03 754	4/11
03 755	4/11
03 756	4/11
03 757	4/11
03 758	4/11
03 774	4/12
03 775	4/12
03 776	4/12
03 777	4/12
03 778	4/12
03 794	4/12
03 795	4/12
03 796	4/12
03 797	4/12
03 798	4/12
03 816	4/12
03 817	4/12
03 818	4/12
03 836	4/13
03 837	4/13
03 838	4/13
03 856	4/13
03 857	4/13
03 858	4/13
03 865	4/15
03 867	4/15
03 871	4/15
03 873	4/15
04 322	4/19
04 324	4/19
04 326	4/19
05 019	6/5
05 033	6/5
05 035	6/5
05 037	6/5
05 043	6/5
05 045	6/5
05 047	6/5
05 049	6/5

Article	Chapter/Page
05 051	6/5
05 053	6/5
05 063	6/5
05 065	6/5
05 067	6/5
05 069	6/5
05 071	6/5
05 073	6/5
05 083	6/5
05 085	6/5
05 087	6/5
05 089	6/5
05 091	6/5
05 093	6/5
05 094	6/5
05 095	6/5
05 096	6/5
05 097	6/5
05 098	6/5
05 099	6/5
05 119	6/5
05 133	6/5
05 135	6/5
05 137	6/5
05 143	6/5
05 145	6/5
05 147	6/5
05 149	6/5
05 151	6/5
05 153	6/5
05 163	6/5
05 165	6/5
05 167	6/5
05 169	6/5
05 171	6/5
05 173	6/5
05 183	6/5
05 185	6/5
05 187	6/5
05 189	6/5
05 191	6/5
05 193	6/5
05 194	6/5
05 195	6/5
05 196	6/5
05 197	6/5
05 198	6/5
05 199	6/5
05 214	6/7
05 216	6/7
05 224	6/7
05 226	6/7
05 228	6/7
05 230	6/7
05 240	6/7
05 250	6/6
05 252	6/6
05 254	6/6
05 256	6/6
05 258	6/6

Article	Chapter/Page
05 260	6/6
05 262	6/6
05 265	6/7
05 266	6/7
05 268	6/7
05 270	6/6
05 272	6/6
05 274	6/6
05 276	6/6
05 278	6/6
05 280	6/6
05 282	6/6
05 300	6/6
05 302	6/6
05 304	6/6
05 306	6/6
05 308	6/6
05 310	6/6
05 312	6/6
05 314	6/6
05 330	6/11
05 331	6/11
05 400	6/9
05 402	6/9
05 405	6/9
05 410	6/9
05 415	6/9
05 420	6/9
05 425	6/9
05 920	3/3
05 930	3/3
05 932	3/3
05 940	3/3
05 960	3/9
05 963	3/9
06 095	7/47
06 200	7/97
06 201	7/97
06 202	7/97
06 203	7/97
06 204	7/97
06 205	7/97
06 208	7/97
06 209	7/97
06 210	7/97
06 211	7/97
06 212	7/97
06 213	7/97
06 215	7/97
06 216	7/97
06 218	7/97
06 219	7/97
06 221	7/97
06 222	7/97
06 225	7/97
06 226	7/97
06 227	7/97
06 230	7/97
06 231	7/97
06 232	7/97

Article	Chapter/Page
06 235	7/97
06 236	7/97
06 237	7/97
06 238	7/97
06 240	7/98
06 241	7/98
06 242	7/98
06 243	7/98
06 244	7/98
06 247	7/98
06 248	7/98
06 249	7/98
06 250	7/98
06 253	7/98
06 254	7/98
06 255	7/98
06 256	7/98
06 260	7/98
06 261	7/98
06 262	7/98
06 263	7/98
06 264	7/98
06 265	7/98
06 266	7/98
06 267	7/98
06 268	7/98
06 269	7/98
06 270	7/98
06 271	7/98
06 272	7/98
06 273	7/98
06 274	7/98
06 280	7/98
06 312	7/9
06 313	7/9
06 314	7/9
06 315	7/9
06 316	7/9
06 317	7/9
06 332	7/9
06 333	7/9
06 334	7/9
06 335	7/9
06 336	7/9
06 337	7/9
06 352	7/9
06 353	7/9
06 354	7/9
06 355	7/9
06 356	7/9
06 357	7/9
06 361	7/24
06 362	7/9
06 362	7/24
06 363	7/9
06 363	7/24
06 364	7/9
06 364	7/24
06 365	7/9
06 365	7/24

# Code list

Article	Chapter/Page
06 366	7/9
06 366	7/24
06 367	7/9
06 367	7/24
06 372	7/10
06 373	7/10
06 374	7/10
06 375	7/10
06 376	7/10
06 377	7/10
06 381	7/23
06 382	7/10
06 382	7/23
06 383	7/10
06 383	7/23
06 384	7/10
06 384	7/23
06 385	7/10
06 385	7/23
06 386	7/10
06 386	7/23
06 387	7/10
06 387	7/23
06 392	7/10
06 393	7/10
06 394	7/10
06 395	7/10
06 396	7/10
06 397	7/10
06 401	7/25
06 402	7/10
06 402	7/25
06 403	7/10
06 403	7/25
06 404	7/10
06 404	7/25
06 405	7/10
06 405	7/25
06 406	7/10
06 406	7/25
06 407	7/10
06 407	7/25
06 412	7/11
06 413	7/11
06 414	7/11
06 415	7/11
06 416	7/11
06 417	7/11
06 421	7/28
06 422	7/11
06 422	7/28
06 423	7/11
06 423	7/28
06 424	7/11
06 424	7/28
06 425	7/11
06 425	7/28
06 426	7/11
06 426	7/28
06 427	7/11

Article	Chapter/Page
06 427	7/28
06 462	7/11
06 463	7/11
06 464	7/11
06 465	7/11
06 466	7/11
06 467	7/11
06 471	7/29
06 472	7/11
06 472	7/29
06 473	7/11
06 473	7/29
06 474	7/11
06 474	7/29
06 475	7/11
06 475	7/29
06 476	7/11
06 476	7/29
06 477	7/11
06 477	7/29
06 482	7/12
06 483	7/12
06 484	7/12
06 485	7/12
06 486	7/12
06 487	7/12
06 491	7/30
06 492	7/12
06 492	7/30
06 493	7/12
06 493	7/30
06 494	7/12
06 494	7/30
06 495	7/12
06 495	7/30
06 496	7/12
06 496	7/30
06 497	7/12
06 497	7/30
06 502	7/12
06 503	7/12
06 504	7/12
06 505	7/12
06 506	7/12
06 507	7/12
06 511	7/31
06 512	7/12
06 512	7/31
06 513	7/12
06 513	7/31
06 514	7/12
06 514	7/31
06 515	7/12
06 515	7/31
06 516	7/12
06 516	7/31
06 517	7/12
06 517	7/31
06 522	7/13
06 523	7/13

Article	Chapter/Page
06 524	7/13
06 525	7/13
06 526	7/13
06 527	7/13
06 531	7/32
06 532	7/13
06 532	7/32
06 533	7/13
06 533	7/32
06 534	7/13
06 534	7/32
06 535	7/13
06 535	7/32
06 536	7/13
06 536	7/32
06 537	7/13
06 537	7/32
06 542	7/13
06 543	7/13
06 544	7/13
06 545	7/13
06 546	7/13
06 547	7/13
06 562	7/13
06 563	7/13
06 564	7/13
06 565	7/13
06 566	7/13
06 567	7/13
06 572	7/14
06 573	7/14
06 574	7/14
06 575	7/14
06 576	7/14
06 577	7/14
06 582	7/14
06 583	7/14
06 584	7/14
06 585	7/14
06 586	7/14
06 587	7/14
06 602	7/15
06 603	7/15
06 604	7/15
06 605	7/15
06 612	7/15
06 613	7/15
06 614	7/15
06 615	7/15
06 632	7/15
06 633	7/15
06 634	7/15
06 635	7/15
06 636	7/15
06 637	7/15
06 642	7/16
06 643	7/16
06 644	7/16
06 646	7/16
06 652	7/5

Article	Chapter/Page
06 652	7/16
06 700	7/76
06 701	7/76
06 702	7/76
06 703	7/76
06 704	7/76
06 705	7/76
06 706	7/76
06 707	7/76
06 708	7/76
06 709	7/84
06 710	7/84
06 711	7/84
06 712	7/84
06 713	7/84
06 714	7/84
06 715	7/84
06 716	7/84
06 717	7/84
06 718	7/92
06 719	7/92
06 720	7/92
06 721	7/92
06 722	7/92
06 723	7/92
06 724	7/92
06 725	7/92
06 726	7/92
06 730	7/76
06 731	7/76
06 732	7/76
06 733	7/76
06 734	7/76
06 735	7/76
06 736	7/76
06 737	7/76
06 738	7/76
06 739	7/84
06 740	7/84
06 741	7/84
06 742	7/84
06 743	7/84
06 744	7/84
06 745	7/84
06 746	7/84
06 747	7/84
06 748	7/92
06 749	7/92
06 750	7/92
06 751	7/92
06 752	7/92
06 753	7/92
06 754	7/92
06 755	7/92
06 756	7/92
06 760	7/77
06 761	7/77
06 762	7/77
06 763	7/77
06 764	7/77



Article	Chapter/Page
06 765	7/77
06 766	7/77
06 767	7/77
06 768	7/77
06 769	7/85
06 770	7/85
06 771	7/85
06 772	7/85
06 773	7/85
06 774	7/85
06 775	7/85
06 776	7/85
06 777	7/85
06 778	7/93
06 779	7/93
06 780	7/93
06 781	7/93
06 782	7/93
06 783	7/93
06 784	7/93
06 785	7/93
06 786	7/93
06 800	7/73
06 801	7/73
06 802	7/73
06 803	7/73
06 804	7/73
06 805	7/73
06 808	7/81
06 809	7/81
06 810	7/81
06 811	7/81
06 812	7/81
06 813	7/81
06 816	7/89
06 817	7/89
06 818	7/89
06 819	7/89
06 820	7/89
06 821	7/89
06 824	7/73
06 825	7/73
06 826	7/73
06 827	7/73
06 828	7/73
06 829	7/73
06 830	7/81
06 831	7/81
06 832	7/81
06 833	7/81
06 834	7/81
06 835	7/81
06 838	7/89
06 839	7/89
06 840	7/89
06 841	7/89
06 842	7/89
06 843	7/89
06 850	7/73
06 851	7/73

Article	Chapter/Page
06 852	7/73
06 853	7/73
06 854	7/73
06 855	7/73
06 858	7/81
06 859	7/81
06 860	7/81
06 861	7/81
06 862	7/81
06 863	7/81
06 866	7/89
06 867	7/89
06 868	7/89
06 869	7/89
06 870	7/89
06 871	7/89
06 874	7/74
06 875	7/74
06 876	7/74
06 877	7/74
06 878	7/74
06 879	7/74
06 882	7/82
06 883	7/82
06 884	7/82
06 885	7/82
06 886	7/82
06 887	7/82
06 890	7/90
06 891	7/90
06 892	7/90
06 893	7/90
06 894	7/90
06 895	7/90
06 896	7/74
06 897	7/74
06 898	7/74
06 900	7/75
06 901	7/75
06 902	7/75
06 903	7/75
06 904	7/75
06 905	7/75
06 908	7/83
06 909	7/83
06 910	7/83
06 911	7/83
06 912	7/83
06 913	7/83
06 916	7/91
06 917	7/91
06 918	7/91
06 919	7/91
06 920	7/91
06 921	7/91
06 924	7/75
06 925	7/75
06 926	7/75
06 927	7/75
06 928	7/75

Article	Chapter/Page
06 929	7/75
06 932	7/83
06 933	7/83
06 934	7/83
06 935	7/83
06 936	7/83
06 937	7/83
06 940	7/91
06 941	7/91
06 942	7/91
06 943	7/91
06 944	7/91
06 945	7/91
06 999	7/74
07 000	7/74
07 001	7/74
07 005	7/82
07 006	7/82
07 007	7/82
07 008	7/82
07 009	7/82
07 010	7/82
07 013	7/90
07 014	7/90
07 015	7/90
07 016	7/90
07 017	7/90
07 018	7/90
07 021	7/74
07 022	7/74
07 023	7/74
07 024	7/74
07 025	7/74
07 026	7/74
07 030	7/82
07 031	7/82
07 032	7/82
07 033	7/82
07 034	7/82
07 035	7/82
07 038	7/90
07 039	7/90
07 040	7/90
07 041	7/90
07 042	7/90
07 043	7/90
07 046	7/75
07 047	7/75
07 048	7/75
07 049	7/75
07 050	7/75
07 051	7/75
07 055	7/83
07 056	7/83
07 057	7/83
07 058	7/83
07 059	7/83
07 060	7/83
07 063	7/91
07 064	7/91

Article	Chapter/Page
07 065	7/91
07 066	7/91
07 067	7/91
07 068	7/91
07 111	7/19
07 112	7/19
07 113	7/19
07 114	7/19
07 115	7/19
07 121	7/19
07 122	7/19
07 123	7/19
07 124	7/19
07 125	7/19
07 126	7/19
07 127	7/19
07 131	7/19
07 132	7/19
07 133	7/19
07 134	7/19
07 135	7/19
07 136	7/19
07 137	7/19
07 171	7/20
07 172	7/20
07 173	7/20
07 174	7/20
07 175	7/20
07 176	7/20
07 177	7/20
07 181	7/20
07 182	7/20
07 183	7/20
07 184	7/20
07 185	7/20
07 186	7/20
07 187	7/20
07 221	7/21
07 222	7/21
07 223	7/21
07 224	7/21
07 225	7/21
07 231	7/21
07 232	7/21
07 233	7/21
07 234	7/21
07 235	7/21
07 236	7/21
07 237	7/21
07 241	7/5
07 241	7/21
07 242	7/5
07 242	7/9
07 242	7/21
07 243	7/5
07 243	7/9
07 243	7/21
07 244	7/5
07 244	7/9
07 244	7/21

# Code list

Article	Chapter/Page	Article	Chapter/Page	Article	Chapter/Page	Article	Chapter/Page
07 245	7/5	07 439	8/9	07 614	7/34	07 765	7/47
07 245	7/9	07 448	8/9	07 615	7/34	07 766	7/47
07 245	7/21	07 451	7/31	07 616	7/34	07 767	7/47
07 246	7/5	07 452	7/31	07 617	7/34	07 768	7/47
07 246	7/9	07 453	7/31	07 630	7/35	07 770	7/42
07 246	7/21	07 454	7/31	07 631	7/35	07 772	7/42
07 247	7/5	07 455	7/31	07 632	7/35	07 773	7/42
07 247	7/9	07 456	7/31	07 633	7/35	07 774	7/42
07 247	7/21	07 457	7/31	07 634	7/35	07 775	7/47
07 291	7/24	07 471	7/32	07 635	7/35	07 776	7/47
07 292	7/24	07 472	7/32	07 636	7/35	07 777	7/47
07 293	7/24	07 473	7/32	07 637	7/35	07 778	7/47
07 294	7/24	07 474	7/32	07 638	7/35	07 779	7/47
07 295	7/24	07 475	7/32	07 639	7/35	07 785	8/4
07 296	7/24	07 476	7/32	07 651	7/34	07 786	8/4
07 297	7/24	07 477	7/32	07 652	7/34	07 787	8/4
07 311	7/23	07 512	7/36	07 653	7/34	07 788	8/4
07 312	7/23	07 513	7/36	07 654	7/34	07 789	8/4
07 313	7/23	07 514	7/36	07 655	7/34	07 790	8/4
07 314	7/23	07 516	7/36	07 656	7/34	07 791	7/39
07 315	7/23	07 517	7/36	07 657	7/34	07 792	7/39
07 316	7/23	07 518	7/36	07 671	8/4	07 793	7/39
07 317	7/23	07 519	7/36	07 672	8/4	07 794	7/39
07 351	7/25	07 520	7/36	07 673	8/4	07 795	7/39
07 352	7/25	07 521	7/36	07 674	8/4	07 796	7/39
07 353	7/25	07 532	7/37	07 675	8/4	07 797	7/39
07 354	7/25	07 533	7/37	07 676	8/4	07 806	8/9
07 355	7/25	07 534	7/37	07 677	8/4	07 807	8/9
07 356	7/25	07 536	7/37	07 691	7/35	07 808	8/9
07 357	7/25	07 537	7/37	07 692	7/35	07 809	8/9
07 371	7/28	07 538	7/37	07 693	7/35	07 811	7/40
07 372	7/28	07 539	7/37	07 694	7/35	07 812	7/40
07 373	7/28	07 540	7/37	07 695	7/35	07 813	7/40
07 374	7/28	07 541	7/37	07 696	7/35	07 814	7/40
07 375	7/28	07 552	7/38	07 697	7/35	07 815	7/40
07 376	7/28	07 553	7/38	07 710	7/26	07 816	7/40
07 377	7/28	07 554	7/38	07 711	7/26	07 817	7/40
07 391	7/29	07 556	7/38	07 712	7/26	07 818	7/55
07 392	7/29	07 557	7/38	07 713	7/26	07 818	7/63
07 393	7/29	07 558	7/38	07 714	7/26	07 818	7/71
07 394	7/29	07 559	7/38	07 715	7/26	07 818	7/79
07 395	7/29	07 560	7/38	07 716	7/26	07 818	7/87
07 396	7/29	07 561	7/38	07 717	7/26	07 818	7/95
07 397	7/29	07 571	7/33	07 718	7/26	07 818	8/9
07 411	7/30	07 572	7/33	07 719	7/26	07 819	7/55
07 412	7/30	07 573	7/33	07 731	7/39	07 819	7/63
07 413	7/30	07 574	7/33	07 732	7/39	07 819	7/71
07 414	7/30	07 575	7/33	07 733	7/39	07 819	8/9
07 415	7/30	07 576	7/33	07 734	7/39	07 826	8/9
07 416	7/30	07 577	7/33	07 735	7/39	07 827	8/9
07 417	7/30	07 591	7/33	07 736	7/39	07 828	8/9
07 430	7/44	07 592	7/33	07 737	7/39	07 829	7/41
07 431	7/44	07 593	7/33	07 750	7/42	07 830	8/9
07 432	7/44	07 594	7/33	07 752	7/42	07 831	7/40
07 433	7/44	07 595	7/33	07 753	7/42	07 832	7/40
07 434	7/44	07 596	7/33	07 754	7/42	07 833	7/40
07 435	7/44	07 597	7/33	07 755	7/46	07 834	7/40
07 436	7/44	07 611	7/34	07 756	7/46	07 835	7/40
07 437	8/8	07 612	7/34	07 757	7/46	07 836	7/40
07 438	8/9	07 613	7/34	07 758	7/46	07 837	7/40

Article	Chapter/Page
07 839	7/41
07 840	7/41
07 841	7/41
07 842	7/41
07 843	7/41
07 844	7/41
07 845	7/46
07 846	7/41
07 847	7/41
07 848	7/17
07 848	7/47
07 848	7/55
07 848	7/63
07 848	7/71
07 848	7/79
07 848	7/87
07 848	7/95
07 849	8/9
07 850	7/17
07 850	7/47
07 851	8/9
07 852	7/45
07 853	8/9
07 854	7/22
07 855	7/5
07 855	7/45
07 866	7/43
07 867	7/43
07 868	7/43
07 869	7/43
07 870	7/43
07 886	7/44
07 887	7/44
07 888	7/45
07 889	7/44
07 890	7/43
07 896	7/44
07 897	7/44
07 898	7/44
07 899	7/44
07 901	8/3
07 902	8/3
07 903	8/3
07 904	8/3
07 905	8/3
07 906	8/3
07 907	8/3
07 908	8/3
07 909	8/3
07 921	8/6
07 922	8/6
07 923	8/6
07 924	8/6
07 925	8/6
07 926	8/7
07 927	8/7
07 941	8/5
07 942	8/5
07 943	8/5
07 944	8/5

Article	Chapter/Page
07 945	8/5
07 949	8/8
07 956	8/7
07 957	8/7
07 958	8/7
07 959	8/7
07 960	8/7
07 961	8/5
07 962	8/5
07 963	8/5
07 964	8/5
07 965	8/5
07 966	8/8
07 967	8/8
07 968	8/8
07 969	8/8
07 970	8/8
07 976	8/8
07 977	8/8
07 978	8/6
07 980	8/9
07 981	8/9
07 982	8/6
07 984	8/8
07 985	8/8
07 986	8/8
07 988	8/8
07 990	8/8
07 992	8/7
07 995	8/7
07 996	8/8
07 997	8/8
07 998	7/43
07 999	7/43
08 401	7/20
08 402	7/20
08 403	7/20
08 404	7/20
08 405	7/20
08 411	7/20
08 412	7/20
08 413	7/20
08 414	7/20
08 415	7/20
08 421	7/20
08 422	7/20
08 423	7/20
08 424	7/20
08 425	7/20
08 431	7/22
08 432	7/22
08 433	7/22
08 434	7/22
08 435	7/22
08 441	7/22
08 442	7/22
08 443	7/22
08 444	7/22
08 445	7/22
08 451	7/22

Article	Chapter/Page
08 452	7/22
08 453	7/22
08 454	7/22
08 455	7/22
08 501	7/23
08 502	7/23
08 503	7/23
08 504	7/23
08 505	7/23
08 511	7/24
08 512	7/24
08 513	7/24
08 514	7/24
08 515	7/24
08 521	7/25
08 522	7/25
08 523	7/25
08 524	7/25
08 525	7/25
08 531	7/28
08 532	7/28
08 533	7/28
08 534	7/28
08 535	7/28
08 541	7/29
08 542	7/29
08 543	7/29
08 544	7/29
08 545	7/29
08 551	7/30
08 552	7/30
08 553	7/30
08 554	7/30
08 555	7/30
08 561	7/31
08 562	7/31
08 563	7/31
08 564	7/31
08 565	7/31
08 571	7/32
08 572	7/32
08 573	7/32
08 574	7/32
08 575	7/32
08 581	7/36
08 582	7/36
08 583	7/36
08 584	7/36
08 585	7/36
08 586	7/36
08 587	7/36
08 591	7/37
08 592	7/37
08 593	7/37
08 594	7/37
08 595	7/37
08 596	7/37
08 597	7/37
08 601	7/38
08 602	7/38

Article	Chapter/Page
08 603	7/38
08 604	7/38
08 605	7/38
08 606	7/38
08 607	7/38
08 611	7/33
08 612	7/33
08 613	7/33
08 614	7/33
08 615	7/33
08 621	7/34
08 622	7/34
08 623	7/34
08 624	7/34
08 625	7/34
08 631	7/34
08 632	7/34
08 633	7/34
08 634	7/34
08 635	7/34
08 641	7/35
08 642	7/35
08 643	7/35
08 644	7/35
08 645	7/35
08 650	7/35
08 651	7/35
08 652	7/35
08 653	7/35
08 654	7/35
08 655	7/35
08 656	7/35
08 657	7/35
08 658	7/35
08 659	7/35
08 660	7/26
08 661	7/26
08 662	7/26
08 663	7/26
08 664	7/26
08 665	7/26
08 666	7/26
08 667	7/26
08 668	7/26
08 669	7/26
08 701	7/33
08 702	7/33
08 703	7/33
08 704	7/33
08 705	7/33
08 711	7/39
08 712	7/39
08 713	7/39
08 714	7/39
08 715	7/39
08 721	7/42
08 722	7/42
08 723	7/42
08 724	7/42
08 731	7/42

# Code list

Article	Chapter/Page	Article	Chapter/Page	Article	Chapter/Page	Article	Chapter/Page
08 732	7/42	08 864	8/7	09 435	7/81	09 484	7/50
08 733	7/42	08 881	8/4	09 435	7/89	09 485	7/50
08 734	7/42	08 882	8/4	09 440	7/49	09 490	7/58
08 741	7/39	08 883	8/4	09 441	7/49	09 491	7/58
08 742	7/39	08 884	8/4	09 442	7/49	09 492	7/58
08 743	7/39	08 885	8/4	09 443	7/49	09 493	7/58
08 744	7/39	08 886	8/4	09 444	7/49	09 494	7/58
08 745	7/39	08 887	8/4	09 445	7/49	09 495	7/58
08 746	7/44	09 400	7/49	09 450	7/57	09 500	7/66
08 747	7/44	09 401	7/49	09 451	7/57	09 501	7/66
08 748	7/44	09 402	7/49	09 452	7/57	09 502	7/66
08 749	7/44	09 403	7/49	09 453	7/57	09 503	7/66
08 750	7/44	09 404	7/49	09 454	7/57	09 504	7/66
08 751	7/40	09 405	7/49	09 455	7/57	09 505	7/66
08 752	7/40	09 410	7/57	09 460	7/65	09 510	7/50
08 753	7/40	09 411	7/57	09 461	7/65	09 510	7/58
08 754	7/40	09 412	7/57	09 462	7/65	09 510	7/66
08 755	7/40	09 413	7/57	09 463	7/65	09 510	7/74
08 761	7/43	09 414	7/57	09 464	7/65	09 510	7/82
08 762	7/43	09 415	7/57	09 465	7/65	09 510	7/90
08 763	7/43	09 420	7/65	09 470	7/49	09 511	7/50
08 764	7/43	09 421	7/65	09 470	7/57	09 511	7/58
08 765	7/43	09 422	7/65	09 470	7/65	09 511	7/66
08 781	7/44	09 423	7/65	09 470	7/73	09 511	7/74
08 782	7/44	09 424	7/65	09 470	7/81	09 511	7/82
08 783	7/44	09 425	7/65	09 470	7/89	09 511	7/90
08 784	7/44	09 430	7/49	09 471	7/49	09 512	7/50
08 785	7/44	09 430	7/57	09 471	7/57	09 512	7/58
08 799	7/47	09 430	7/65	09 471	7/65	09 512	7/66
08 801	8/3	09 430	7/73	09 471	7/73	09 512	7/74
08 802	8/3	09 430	7/81	09 471	7/81	09 512	7/82
08 803	8/3	09 430	7/89	09 471	7/89	09 512	7/90
08 804	8/3	09 431	7/49	09 472	7/49	09 513	7/50
08 805	8/3	09 431	7/57	09 472	7/57	09 513	7/58
08 806	8/3	09 431	7/65	09 472	7/65	09 513	7/66
08 807	8/3	09 431	7/73	09 472	7/73	09 513	7/74
08 811	8/3	09 431	7/81	09 472	7/81	09 513	7/82
08 812	8/3	09 431	7/89	09 472	7/89	09 513	7/90
08 821	8/6	09 432	7/49	09 473	7/49	09 514	7/50
08 822	8/6	09 432	7/57	09 473	7/57	09 514	7/58
08 823	8/6	09 432	7/65	09 473	7/65	09 514	7/66
08 824	8/6	09 432	7/73	09 473	7/73	09 514	7/74
08 825	8/6	09 432	7/81	09 473	7/81	09 514	7/82
08 831	8/5	09 432	7/89	09 473	7/89	09 514	7/90
08 832	8/5	09 433	7/49	09 474	7/49	09 515	7/50
08 833	8/5	09 433	7/57	09 474	7/57	09 515	7/58
08 834	8/5	09 433	7/65	09 474	7/65	09 515	7/66
08 835	8/5	09 433	7/73	09 474	7/73	09 515	7/74
08 841	8/5	09 433	7/81	09 474	7/81	09 515	7/82
08 842	8/5	09 433	7/89	09 474	7/89	09 515	7/90
08 843	8/5	09 434	7/49	09 475	7/49	09 520	7/50
08 844	8/5	09 434	7/57	09 475	7/57	09 521	7/50
08 845	8/5	09 434	7/65	09 475	7/65	09 522	7/50
08 851	8/8	09 434	7/73	09 475	7/73	09 523	7/50
08 852	8/8	09 434	7/81	09 475	7/81	09 524	7/50
08 853	8/8	09 434	7/89	09 475	7/89	09 525	7/50
08 854	8/6	09 435	7/49	09 480	7/50	09 530	7/58
08 861	8/7	09 435	7/57	09 481	7/50	09 531	7/58
08 862	8/6	09 435	7/65	09 482	7/50	09 532	7/58
08 863	8/7	09 435	7/73	09 483	7/50	09 533	7/58

Article	Chapter/Page
09 534	7/58
09 535	7/58
09 540	7/66
09 541	7/66
09 542	7/66
09 543	7/66
09 544	7/66
09 545	7/66
09 550	7/50
09 550	7/58
09 550	7/66
09 550	7/74
09 550	7/82
09 550	7/90
09 551	7/50
09 551	7/58
09 551	7/66
09 551	7/74
09 551	7/82
09 551	7/90
09 552	7/50
09 552	7/58
09 552	7/66
09 552	7/74
09 552	7/82
09 552	7/90
09 553	7/50
09 553	7/58
09 553	7/66
09 553	7/74
09 553	7/82
09 553	7/90
09 554	7/50
09 554	7/58
09 554	7/66
09 554	7/74
09 554	7/82
09 554	7/90
09 555	7/50
09 555	7/58
09 555	7/66
09 555	7/74
09 555	7/82
09 555	7/90
09 560	7/50
09 561	7/50
09 562	7/50
09 563	7/50
09 564	7/50
09 565	7/50
09 570	7/58
09 571	7/58
09 572	7/58
09 573	7/58
09 574	7/58
09 575	7/58
09 580	7/66
09 581	7/66
09 582	7/66
09 583	7/66

Article	Chapter/Page
09 584	7/66
09 585	7/66
09 590	7/50
09 590	7/58
09 590	7/66
09 590	7/74
09 590	7/82
09 590	7/90
09 591	7/50
09 591	7/58
09 591	7/66
09 591	7/74
09 591	7/82
09 591	7/90
09 592	7/50
09 592	7/58
09 592	7/66
09 592	7/74
09 592	7/82
09 592	7/90
09 593	7/50
09 593	7/58
09 593	7/66
09 593	7/74
09 593	7/82
09 593	7/90
09 594	7/50
09 594	7/58
09 594	7/66
09 594	7/74
09 594	7/82
09 594	7/90
09 595	7/50
09 595	7/58
09 595	7/66
09 595	7/74
09 595	7/82
09 595	7/90
09 600	7/51
09 601	7/51
09 602	7/51
09 603	7/51
09 604	7/51
09 605	7/51
09 610	7/59
09 611	7/59
09 612	7/59
09 613	7/59
09 614	7/59
09 615	7/59
09 620	7/67
09 621	7/67
09 622	7/67
09 623	7/67
09 624	7/67
09 625	7/67
09 640	7/52
09 641	7/52
09 642	7/52
09 643	7/52

Article	Chapter/Page
09 644	7/52
09 645	7/52
09 646	7/52
09 647	7/52
09 648	7/52
09 650	7/60
09 651	7/60
09 652	7/60
09 653	7/60
09 654	7/60
09 655	7/60
09 656	7/60
09 657	7/60
09 658	7/60
09 660	7/68
09 661	7/68
09 662	7/68
09 663	7/68
09 664	7/68
09 665	7/68
09 666	7/68
09 667	7/68
09 668	7/68
09 670	7/52
09 670	7/60
09 670	7/68
09 670	7/76
09 670	7/84
09 670	7/92
09 671	7/52
09 671	7/60
09 671	7/68
09 671	7/76
09 671	7/84
09 671	7/92
09 672	7/52
09 672	7/60
09 672	7/68
09 672	7/76
09 672	7/84
09 672	7/92
09 673	7/52
09 673	7/60
09 673	7/68
09 673	7/76
09 673	7/84
09 673	7/92
09 674	7/52
09 674	7/60
09 674	7/68
09 674	7/76
09 674	7/84
09 674	7/92
09 675	7/52
09 675	7/60
09 675	7/68
09 675	7/76
09 675	7/84
09 675	7/92
09 676	7/52

Article	Chapter/Page
09 676	7/60
09 676	7/68
09 676	7/76
09 676	7/84
09 676	7/92
09 677	7/52
09 677	7/60
09 677	7/68
09 677	7/76
09 677	7/84
09 677	7/92
09 678	7/52
09 678	7/60
09 678	7/68
09 678	7/76
09 678	7/84
09 678	7/92
09 680	7/52
09 681	7/52
09 682	7/52
09 683	7/52
09 684	7/52
09 685	7/52
09 686	7/52
09 687	7/52
09 688	7/52
09 690	7/60
09 691	7/60
09 692	7/60
09 693	7/60
09 694	7/60
09 695	7/60
09 696	7/60
09 697	7/60
09 698	7/60
09 700	7/68
09 701	7/68
09 702	7/68
09 703	7/68
09 704	7/68
09 705	7/68
09 706	7/68
09 707	7/68
09 708	7/68
09 710	7/52
09 710	7/60
09 710	7/68
09 710	7/76
09 710	7/84
09 710	7/92
09 711	7/52
09 711	7/60
09 711	7/68
09 711	7/76
09 711	7/84
09 711	7/92
09 712	7/52
09 712	7/60
09 712	7/68
09 712	7/76

# Code list

Article	Chapter/Page	Article	Chapter/Page	Article	Chapter/Page	Article	Chapter/Page
09 712	7/84	09 744	7/69	09 760	7/78	09 905	7/79
09 712	7/92	09 745	7/69	09 761	7/54	09 905	7/87
09 713	7/52	09 746	7/69	09 761	7/78	09 905	7/95
09 713	7/60	09 747	7/69	09 762	7/54	09 906	7/55
09 713	7/68	09 748	7/69	09 762	7/78	09 906	7/63
09 713	7/76	09 750	7/53	09 763	7/62	09 906	7/71
09 713	7/84	09 750	7/61	09 763	7/86	09 906	7/79
09 713	7/92	09 750	7/69	09 764	7/62	09 906	7/87
09 714	7/52	09 750	7/77	09 764	7/86	09 906	7/95
09 714	7/60	09 750	7/85	09 765	7/62	09 910	7/78
09 714	7/68	09 750	7/93	09 765	7/86	09 911	7/86
09 714	7/76	09 751	7/53	09 766	7/70	09 912	7/94
09 714	7/84	09 751	7/61	09 766	7/94	09 920	7/51
09 714	7/92	09 751	7/69	09 767	7/70	09 920	7/75
09 715	7/52	09 751	7/77	09 767	7/94	09 921	7/51
09 715	7/60	09 751	7/85	09 768	7/70	09 921	7/75
09 715	7/68	09 751	7/93	09 768	7/94	09 922	7/51
09 715	7/76	09 752	7/53	09 770	8/4	09 922	7/75
09 715	7/84	09 752	7/61	09 771	8/4	09 923	7/51
09 715	7/92	09 752	7/69	09 772	8/4	09 923	7/75
09 716	7/52	09 752	7/77	09 773	8/4	09 924	7/51
09 716	7/60	09 752	7/85	09 774	8/4	09 924	7/75
09 716	7/68	09 752	7/93	09 775	8/4	09 925	7/51
09 716	7/76	09 753	7/53	09 776	8/4	09 925	7/75
09 716	7/84	09 753	7/61	09 777	8/4	09 927	7/59
09 716	7/92	09 753	7/69	09 778	8/4	09 927	7/83
09 717	7/52	09 753	7/77	09 779	8/4	09 928	7/59
09 717	7/60	09 753	7/85	09 800	7/54	09 928	7/83
09 717	7/68	09 753	7/93	09 800	7/78	09 929	7/59
09 717	7/76	09 754	7/53	09 801	7/54	09 929	7/83
09 717	7/84	09 754	7/61	09 801	7/78	09 930	7/59
09 717	7/92	09 754	7/69	09 802	7/54	09 930	7/83
09 718	7/52	09 754	7/77	09 802	7/78	09 931	7/59
09 718	7/60	09 754	7/85	09 803	7/62	09 931	7/83
09 718	7/68	09 754	7/93	09 803	7/86	09 932	7/59
09 718	7/76	09 755	7/53	09 804	7/62	09 932	7/83
09 718	7/84	09 755	7/61	09 804	7/86	09 934	7/67
09 718	7/92	09 755	7/69	09 805	7/62	09 934	7/91
09 720	7/53	09 755	7/77	09 805	7/86	09 935	7/67
09 721	7/53	09 755	7/85	09 806	7/70	09 935	7/91
09 722	7/53	09 755	7/93	09 806	7/94	09 936	7/67
09 723	7/53	09 756	7/53	09 807	7/70	09 936	7/91
09 724	7/53	09 756	7/61	09 807	7/94	09 937	7/67
09 725	7/53	09 756	7/69	09 808	7/70	09 937	7/91
09 726	7/53	09 756	7/77	09 808	7/94	09 938	7/67
09 727	7/53	09 756	7/85	09 900	7/54	09 938	7/91
09 728	7/53	09 756	7/93	09 901	7/62	09 939	7/67
09 730	7/61	09 757	7/53	09 902	7/70	09 939	7/91
09 731	7/61	09 757	7/61	09 903	7/55	09 941	7/51
09 732	7/61	09 757	7/69	09 903	7/63	09 941	7/75
09 733	7/61	09 757	7/77	09 903	7/71	09 942	7/51
09 734	7/61	09 757	7/85	09 903	7/79	09 942	7/75
09 735	7/61	09 757	7/93	09 903	7/87	09 943	7/51
09 736	7/61	09 758	7/53	09 903	7/95	09 943	7/75
09 737	7/61	09 758	7/61	09 904	7/55	09 944	7/51
09 738	7/61	09 758	7/69	09 904	7/63	09 944	7/75
09 740	7/69	09 758	7/77	09 904	7/71	09 945	7/51
09 741	7/69	09 758	7/85	09 905	7/55	09 945	7/75
09 742	7/69	09 758	7/93	09 905	7/63	09 946	7/51
09 743	7/69	09 760	7/54	09 905	7/71	09 946	7/75

Article	Chapter/Page
09 948	7/59
09 948	7/83
09 949	7/59
09 949	7/83
09 950	7/59
09 950	7/83
09 951	7/59
09 951	7/83
09 952	7/59
09 952	7/83
09 953	7/59
09 953	7/83
09 955	7/67
09 955	7/91
09 956	7/67
09 956	7/91
09 957	7/67
09 957	7/91
09 958	7/67
09 958	7/91
09 959	7/67
09 959	7/91
09 960	7/67
09 960	7/91
09 962	7/51
09 963	7/51
09 964	7/51
09 965	7/51
09 966	7/51
09 967	7/51
09 968	7/59
09 969	7/59
09 970	7/59
09 971	7/59
09 972	7/59
09 973	7/59
09 974	7/67
09 975	7/67
09 976	7/67
09 977	7/67
09 978	7/67
09 979	7/67
09 980	7/51
09 981	7/51
09 982	7/51
09 983	7/51
09 984	7/51
09 985	7/51
09 986	7/59
09 987	7/59
09 988	7/59
09 989	7/59
09 990	7/59
09 991	7/59
09 992	7/67
09 993	7/67
09 994	7/67
09 995	7/67
09 996	7/67
09 997	7/67

Article	Chapter/Page
17 291	7/24
17 292	7/24
17 293	7/24
17 294	7/24
17 295	7/24
17 296	7/24
17 297	7/24
17 311	7/23
17 312	7/23
17 313	7/23
17 314	7/23
17 315	7/23
17 316	7/23
17 317	7/23
17 351	7/25
17 352	7/25
17 353	7/25
17 354	7/25
17 355	7/25
17 356	7/25
17 357	7/25
17 371	7/28
17 372	7/28
17 373	7/28
17 374	7/28
17 375	7/28
17 376	7/28
17 377	7/28
17 391	7/29
17 392	7/29
17 393	7/29
17 394	7/29
17 395	7/29
17 396	7/29
17 397	7/29
17 411	7/30
17 412	7/30
17 413	7/30
17 414	7/30
17 415	7/30
17 416	7/30
17 417	7/30
17 451	7/31
17 452	7/31
17 453	7/31
17 454	7/31
17 455	7/31
17 456	7/31
17 457	7/31
17 471	7/32
17 472	7/32
17 473	7/32
17 474	7/32
17 475	7/32
17 476	7/32
17 477	7/32
17 512	7/36
17 513	7/36
17 514	7/36
17 516	7/36

Article	Chapter/Page
17 517	7/36
17 518	7/36
17 519	7/36
17 520	7/36
17 521	7/36
17 532	7/37
17 533	7/37
17 534	7/37
17 536	7/37
17 537	7/37
17 538	7/37
17 539	7/37
17 540	7/37
17 541	7/37
17 552	7/38
17 553	7/38
17 554	7/38
17 556	7/38
17 557	7/38
17 558	7/38
17 559	7/38
17 560	7/38
17 561	7/38
17 710	7/27
17 711	7/27
17 712	7/27
17 713	7/27
17 714	7/27
17 715	7/27
17 716	7/27
17 717	7/27
17 718	7/27
17 719	7/27
1SL5316A00	6/3
1SL5317A00	6/3
1SL5318A00	6/3
1SL5319A00	6/3
1SL5320A00	6/3
1SL5321A00	6/3
1SL5322A00	6/3
1SL7141A00	7/19
1SL7142A00	7/19
1SL7143A00	7/19
1SL7144A00	7/19
1SL7145A00	7/19
1SL7151A00	7/19
1SL7152A00	7/19
1SL7153A00	7/19
1SL7154A00	7/19
1SL7155A00	7/19
1SL7161A00	7/19
1SL7162A00	7/19
1SL7163A00	7/19
1SL7164A00	7/19
1SL7165A00	7/19
1SL7261A00	7/21
1SL7262A00	7/21
1SL7263A00	7/21
1SL7264A00	7/21
1SL7265A00	7/21

Article	Chapter/Page
1SL7271A00	7/21
1SL7272A00	7/21
1SL7273A00	7/21
1SL7274A00	7/21
1SL7275A00	7/21
1SL7281A00	7/21
1SL7282A00	7/21
1SL7283A00	7/21
1SL7284A00	7/21
1SL7285A00	7/21
1SL7301A00	7/24
1SL7302A00	7/24
1SL7303A00	7/24
1SL7304A00	7/24
1SL7305A00	7/24
1SL7321A00	7/23
1SL7322A00	7/23
1SL7323A00	7/23
1SL7324A00	7/23
1SL7325A00	7/23
1SL7361A00	7/25
1SL7362A00	7/25
1SL7363A00	7/25
1SL7364A00	7/25
1SL7365A00	7/25
1SL7381A00	7/28
1SL7382A00	7/28
1SL7383A00	7/28
1SL7384A00	7/28
1SL7385A00	7/28
1SL7401A00	7/29
1SL7402A00	7/29
1SL7403A00	7/29
1SL7404A00	7/29
1SL7405A00	7/29
1SL7421A00	7/30
1SL7422A00	7/30
1SL7423A00	7/30
1SL7424A00	7/30
1SL7425A00	7/30
1SL7440A00	7/44
1SL7441A00	7/44
1SL7442A00	7/44
1SL7443A00	7/44
1SL7444A00	7/44
1SL7461A00	7/31
1SL7462A00	7/31
1SL7463A00	7/31
1SL7464A00	7/31
1SL7465A00	7/31
1SL7481A00	7/32
1SL7482A00	7/32
1SL7483A00	7/32
1SL7484A00	7/32
1SL7485A00	7/32
1SL7522A00	7/36
1SL7523A00	7/36
1SL7524A00	7/36
1SL7526A00	7/36
1SL7527A00	7/36

# Code list

Article	Chapter/Page
1SL7528A00	7/36
1SL7529A00	7/36
1SL7542A00	7/37
1SL7543A00	7/37
1SL7544A00	7/37
1SL7546A00	7/37
1SL7547A00	7/37
1SL7548A00	7/37
1SL7549A00	7/37
1SL7562A00	7/38
1SL7563A00	7/38
1SL7564A00	7/38
1SL7566A00	7/38
1SL7567A00	7/38
1SL7568A00	7/38
1SL7569A00	7/38
1SL7581A00	7/33
1SL7582A00	7/33
1SL7583A00	7/33
1SL7584A00	7/33
1SL7585A00	7/33
1SL7601A00	7/33
1SL7602A00	7/33
1SL7603A00	7/33
1SL7604A00	7/33
1SL7605A00	7/33
1SL7621A00	7/34
1SL7622A00	7/34
1SL7623A00	7/34
1SL7624A00	7/34
1SL7625A00	7/34
1SL7640A00	7/35
1SL7641A00	7/35
1SL7642A00	7/35
1SL7643A00	7/35
1SL7644A00	7/35
1SL7645A00	7/35
1SL7646A00	7/35
1SL7647A00	7/35
1SL7648A00	7/35
1SL7649A00	7/35
1SL7661A00	7/34
1SL7662A00	7/34
1SL7663A00	7/34
1SL7664A00	7/34
1SL7665A00	7/34
1SL7681A00	8/4
1SL7682A00	8/4
1SL7683A00	8/4
1SL7684A00	8/4
1SL7685A00	8/4
1SL7686A00	8/4
1SL7687A00	8/4
1SL7701A00	7/35
1SL7702A00	7/35
1SL7703A00	7/35
1SL7704A00	7/35
1SL7705A00	7/35
1SL7720A00	7/26
1SL7721A00	7/26

Article	Chapter/Page
1SL7722A00	7/26
1SL7723A00	7/26
1SL7724A00	7/26
1SL7725A00	7/26
1SL7726A00	7/26
1SL7727A00	7/26
1SL7728A00	7/26
1SL7729A00	7/26
1SL7741A00	7/39
1SL7742A00	7/39
1SL7743A00	7/39
1SL7744A00	7/39
1SL7745A00	7/39
1SL7760A00	7/42
1SL7762A00	7/42
1SL7763A00	7/42
1SL7764A00	7/42
1SL7780A00	7/42
1SL7782A00	7/42
1SL7783A00	7/42
1SL7784A00	7/42
1SL7801A00	7/39
1SL7802A00	7/39
1SL7803A00	7/39
1SL7804A00	7/39
1SL7805A00	7/39
1SL7821A00	7/40
1SL7822A00	7/40
1SL7823A00	7/40
1SL7824A00	7/40
1SL7825A00	7/40
1SL7856A00	7/47
1SL7861A00	7/43
1SL7862A00	7/43
1SL7863A00	7/43
1SL7864A00	7/43
1SL7865A00	7/43
1SL7881A00	7/44
1SL7882A00	7/44
1SL7883A00	7/44
1SL7884A00	7/44
1SL7885A00	7/44
1SL7911A00	8/3
1SL7912A00	8/3
1SL7913A00	8/3
1SL7914A00	8/3
1SL7915A00	8/3
1SL7916A00	8/3
1SL7917A00	8/3
1SL7918A00	8/3
1SL7919A00	8/3
1SL7931A00	8/6
1SL7932A00	8/6
1SL7933A00	8/6
1SL7934A00	8/6
1SL7935A00	8/6
1SL7947A00	8/7
1SL7948A00	8/7
1SL7951A00	8/5
1SL7952A00	8/5

Article	Chapter/Page
1SL7953A00	8/5
1SL7954A00	8/5
1SL7955A00	8/5
1SL7971A00	8/5
1SL7972A00	8/5
1SL7973A00	8/5
1SL7974A00	8/5
1SL7975A00	8/5
1SL7979A00	8/6
1SL7983A00	8/6
1SL7987A00	8/8
1SL7989A00	8/8
1SL7991A00	8/8
1SL7993A00	8/7
1SL9019A00	6/3
1SL9033A00	6/3
1SL9035A00	6/3
1SL9037A00	6/3
1SL9043A00	6/3
1SL9045A00	6/3
1SL9047A00	6/3
1SL9049A00	6/3
1SL9051A00	6/3
1SL9053A00	6/3
1SL9063A00	6/3
1SL9065A00	6/3
1SL9067A00	6/3
1SL9069A00	6/3
1SL9071A00	6/3
1SL9073A00	6/3
1SL9083A00	6/3
1SL9085A00	6/3
1SL9087A00	6/3
1SL9089A00	6/3
1SL9091A00	6/3
1SL9093A00	6/3
1SL9095A00	6/3
1SL9096A00	6/3
1SL9097A00	6/3
1SL9098A00	6/3
1SL9119A00	6/3
1SL9133A00	6/3
1SL9135A00	6/3
1SL9137A00	6/3
1SL9143A00	6/3
1SL9145A00	6/3
1SL9147A00	6/3
1SL9149A00	6/3
1SL9151A00	6/3
1SL9153A00	6/3
1SL9163A00	6/3
1SL9165A00	6/3
1SL9167A00	6/3
1SL9169A00	6/3
1SL9171A00	6/3
1SL9173A00	6/3
1SL9183A00	6/3
1SL9185A00	6/3
1SL9187A00	6/3
1SL9189A00	6/3

Article	Chapter/Page
1SL9191A00	6/3
1SL9193A00	6/3
1SL9816A00	7/3
1SL9817A00	7/3
1SL9818A00	7/3
1SL9819A00	7/3
1SL9820A00	7/3
1SL9822A00	7/3
1SL9823A00	7/3
1SL9824A00	7/3
1SL9825A00	7/3
1SL9826A00	7/3
1SL9836A00	7/3
1SL9837A00	7/3
1SL9838A00	7/3
1SL9839A00	7/3
1SL9840A00	7/3
1SL9841A00	7/3
1SL9842A00	7/3
1SL9844A00	7/3
1SL9845A00	7/3
1SL9846A00	7/3
1SL9847A00	7/3
1SL9848A00	7/3
1SL9849A00	7/3
1SL9850A00	7/3
1SL9860A00	7/4
1SL9861A00	7/4
1SL9862A00	7/4
1SL9863A00	7/4
1SL9864A00	7/4
1SL9865A00	7/4
1SL9866A00	7/4
1SL9868A00	7/4
1SL9869A00	7/4
1SL9870A00	7/4
1SL9871A00	7/4
1SL9872A00	7/4
1SL9873A00	7/4
1SL9874A00	7/4
1SL9876A00	7/5
1SL9877A00	7/5
1SL9878A00	7/5
1SL9878A01	7/5
1SL9879A00	7/6
1SL9880A00	7/6
1SL9881A00	7/6
1SL9882A00	7/6
1SL9883A00	7/6
1SL9884A00	7/6
1SL9886A00	7/6
1SL9887A00	7/6
1SL9888A00	7/6
1SL9889A00	7/6
1SL9890A00	7/7
1SL9891A00	7/7
1SL9892A00	7/7
1SL9893A00	7/7
1SL9894A00	7/7
1SL9895A00	8/7



Article	Chapter/Page
1SL9896A00	8/7
1SL9897A00	8/7
1SL9902A00	7/7
1SL9903A00	7/7
1SL9904A00	7/5
1SL9906A00	7/6
1SL9907A00	7/6
1SL9910A00	7/7
1SL9911A00	7/7
1SL9912A00	7/7
1SL9913A00	7/7
1SL9914A00	7/7
1SL9915A00	7/7
1SL9916A00	7/7
1SL9917A00	7/4
1SL9918A00	7/4
1SL9919A00	7/4
1SL9920A00	7/4
1SL9921A00	7/4
1SL9922A00	7/4
1SL9923A00	7/4
1SL9924A00	7/4
1SL9925A00	7/4
1SL9926A00	7/4
1SL9927A00	7/4
1SL9928A00	7/4
27 512	7/36
27 513	7/36
27 514	7/36
27 516	7/36
27 517	7/36
27 518	7/36
27 519	7/36
27 520	7/36
27 521	7/36
27 532	7/37
27 533	7/37
27 534	7/37
27 536	7/37
27 537	7/37
27 538	7/37
27 539	7/37
27 540	7/37
27 541	7/37
27 552	7/38
27 553	7/38
27 554	7/38
27 556	7/38
27 557	7/38
27 558	7/38
27 559	7/38
27 560	7/38
27 561	7/38
27 710	7/27
27 711	7/27
27 712	7/27
27 713	7/27
27 714	7/27
27 715	7/27
27 716	7/27

Article	Chapter/Page
27 717	7/27
27 718	7/27
27 719	7/27
41 010	3/3
41 015	3/3
41 020	3/3
41 040	3/3
41 045	3/3
41 050	3/3
41 055	3/3
41 080	3/5
41 081	3/5
41 083	3/5
41 084	3/5
41 091	3/5
41 092	3/5
41 093	3/5
41 101	3/5
41 102	3/5
41 103	3/5
41 104	3/5
41 106	3/5
41 110	3/5
41 111	3/5
41 113	3/5
41 114	3/5
41 115	3/5
41 116	3/5
41 117	3/5
41 119	3/5
41 120	3/5
41 202	3/5
41 204	3/5
41 206	3/5
41 210	3/5
41 213	3/5
41 215	3/5
41 216	3/5
41 217	3/5
41 219	3/5
41 220	3/5
41 302	3/6
41 304	3/6
41 306	3/6
41 310	3/6
41 313	3/6
41 315	3/6
41 316	3/6
41 317	3/6
41 319	3/6
41 320	3/6
41 402	3/6
41 404	3/6
41 406	3/6
41 410	3/6
41 413	3/6
41 415	3/6
41 416	3/6
41 417	3/6
41 419	3/6

Article	Chapter/Page
41 420	3/6
41 502	3/6
41 504	3/6
41 506	3/6
41 510	3/6
41 513	3/6
41 515	3/6
41 516	3/6
41 517	3/6
41 519	3/6
41 520	3/6
41 602	3/7
41 604	3/7
41 606	3/7
41 610	3/7
41 613	3/7
41 615	3/7
41 616	3/7
41 617	3/7
41 619	3/7
41 620	3/7
41 702	3/7
41 704	3/7
41 706	3/7
41 710	3/7
41 713	3/7
41 715	3/7
41 716	3/7
41 717	3/7
41 719	3/7
41 720	3/7
41 800	3/8
41 803	3/8
41 806	3/8
41 812	3/8
41 818	3/8
41 822	3/9
41 823	3/9
41 829	3/9
41 830	3/9
41 830	5/4
41 840	3/8
41 842	3/8
41 844	3/8
41 846	3/8
41 850	3/8
41 854	3/8
41 902	3/7
41 904	3/7
41 906	3/7
41 910	3/7
41 913	3/7
41 915	3/7
41 916	3/7
41 917	3/7
41 919	3/7
41 920	3/7
42 010	5/3
42 012	5/3
42 015	5/3

Article	Chapter/Page
42 022	5/3
42 025	5/3
42 028	5/3
42 032	5/3
42 042	5/4
42 046	5/4
42 049	5/4
42 052	5/4
42 056	5/4
42 059	5/4
42 062	5/5
42 065	5/5
42 068	5/5
42 072	5/5
42 075	5/5
42 092	5/4
42 096	3/9
42 096	5/4
42 102	5/5
42 105	5/5
42 106	5/5
42 112	3/9
42 112	5/5
42 112	5/7
42 512	5/7
42 522	5/7
42 532	5/7
42 542	5/7
42 600	5/5
42 601	5/5
42 605	5/5
42 606	5/5
42 607	5/5
43 002	4/3
43 003	4/3
43 004	4/3
43 005	4/3
43 006	4/3
43 013	4/3
43 014	4/3
43 015	4/3
43 016	4/3
43 017	4/3
43 018	4/3
43 025	4/3
43 026	4/3
43 027	4/3
43 028	4/3
43 085	4/4
43 086	4/4
43 095	4/4
43 096	4/4
43 097	4/4
43 098	4/4
43 105	4/4
43 106	4/4
43 152	4/5
43 153	4/5
43 154	4/5
43 155	4/5

# Code list

Article	Chapter/Page
43 156	4/5
43 163	4/5
43 164	4/5
43 165	4/5
43 166	4/5
43 167	4/5
43 168	4/5
43 175	4/5
43 176	4/5
43 177	4/5
43 178	4/5
43 232	4/6
43 233	4/6
43 234	4/6
43 235	4/6
43 236	4/6
43 243	4/6
43 244	4/6
43 245	4/6
43 246	4/6
43 247	4/6
43 248	4/6
43 255	4/6
43 256	4/6
43 257	4/6
43 258	4/6
43 312	4/7
43 313	4/7
43 314	4/7
43 315	4/7
43 316	4/7
43 323	4/7
43 324	4/7
43 325	4/7
43 326	4/7
43 327	4/7
43 328	4/7
43 335	4/7
43 336	4/7
43 337	4/7
43 338	4/7
43 392	4/8
43 393	4/8
43 394	4/8
43 395	4/8
43 396	4/8
43 403	4/8
43 404	4/8
43 405	4/8
43 406	4/8
43 407	4/8
43 408	4/8
43 415	4/8
43 416	4/8
43 417	4/8
43 418	4/8
43 475	4/9
43 488	4/9
43 498	4/9
43 552	4/8

Article	Chapter/Page
43 553	4/8
43 554	4/8
43 555	4/8
43 556	4/8
43 565	4/8
43 566	4/8
43 622	4/15
43 623	4/15
43 624	4/15
43 630	4/11
43 631	4/11
43 681	4/9
43 682	4/9
43 691	4/11
43 692	4/11
43 744	4/11
43 745	4/11
43 746	4/11
43 747	4/11
43 748	4/11
43 764	4/12
43 765	4/12
43 766	4/12
43 767	4/12
43 768	4/12
43 784	4/12
43 785	4/12
43 786	4/12
43 787	4/12
43 788	4/12
43 806	4/12
43 807	4/12
43 808	4/12
43 826	4/13
43 827	4/13
43 828	4/13
43 846	4/13
43 847	4/13
43 848	4/13
43 950	4/11
43 951	4/11
43 952	4/11
43 953	4/11
43 955	4/11
43 956	4/11
43 957	4/11
43 958	4/11
43 960	4/11
43 961	4/11
43 962	4/11
43 963	4/11
43 965	4/12
43 966	4/12
43 967	4/12
43 968	4/12
43 970	4/12
43 971	4/12
43 972	4/12
43 973	4/12
44 010	4/17

Article	Chapter/Page
44 012	4/17
44 014	4/17
44 016	4/17
44 040	4/18
44 040	7/45
44 050	4/17
44 052	4/17
44 054	4/17
44 090	4/17
44 092	4/17
44 130	4/17
44 132	4/17
44 134	4/17
44 136	4/17
44 170	4/17
44 172	4/17
44 174	4/17
44 176	4/17
44 210	4/17
44 212	4/17
44 214	4/17
44 216	4/17
44 250	4/19
44 252	4/19
44 254	4/19
44 256	4/19
44 291	4/19
44 352	4/18
44 354	4/18
44 356	4/18
44 434	4/18
44 436	4/18
44 452	4/18
44 454	4/18
44 456	4/18
44 514	4/18
44 516	4/18
44 554	4/18
44 556	4/18
44 634	4/19
44 636	4/19
44 654	4/19
44 656	4/19
44 680	4/19
44 682	4/19
45 965	3/9
45 966	3/9
45 967	3/9
45 968	3/9
45 969	3/9
M078550002	7/5



# Contacts

## **ABB SACE**

**A division of ABB Ltd.**

### **Customer service ABB SACE**

To receive information about Low Voltage products



Open every day from Monday to Saturday,  
from 9.00 to 19.00.

For all the information related to the sales  
orders and deliveries of Low Voltage products



Customer support is open every day  
from 8.00 to 18.00.  
Saturday and Sunday from 9.00 to 17.00

[www.abb.it/lowvoltage](http://www.abb.it/lowvoltage)

Data and images are not binding.  
We reserve the right to modify the contents of this  
document on the basis of technical development of  
the products, without prior notice.

Copyright 2017 ABB. All rights reserved.

1SLC800001D0201 - 06/2017