



RECEIVERS

MODULAR RECEIVER 1 CHANNEL 16A WITH OR WITHOUT T.I.

1-channel 16A modular receiver receives and processes radio signals from transmitters or sensors within its range to switch large electrical charges (e.g. machine engine).



Image non contractuelle.



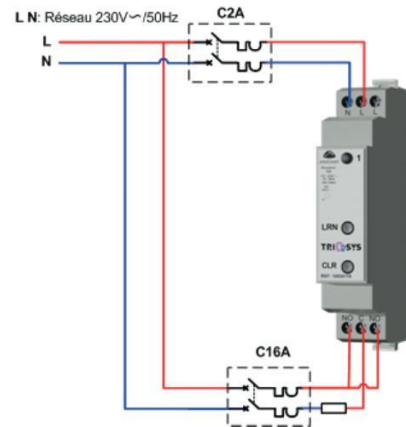
COMPATIBLE

02
COM



PRODUCT ADVANTAGES

- Output 16A**
> charge control with high power
- Complete radio functions**
> signal repeat, status feedback
- Several configurations**
> toggle switch, remote control switch, push button



TECHNICAL SPECIFICATIONS

1 CHANNEL DIN RAIL RECEIVER 16A	
Transmission frequency	868.0 MHz to 868.6 MHz
EnOcean Equipment Profile (EEP)	D2-01-00
Power supply	110-230Vac (50Hz)
Output (potential-free)	<ul style="list-style-type: none"> Max 16A/3500VA resistive 2300W incandescent/halogen 800W inductive 1500W/2300W TBT halogen 1000W fluorescent
Operating temperature range	-10°C to +40°C
Relative air humidity	0% to 75% (no condensation)
Product dimensions	17.5x97.4x66.4mm (1 module)
Colour	ABS gray

PRODUCT CODE

1002018 1 channel DIN RAIL receiver 16A