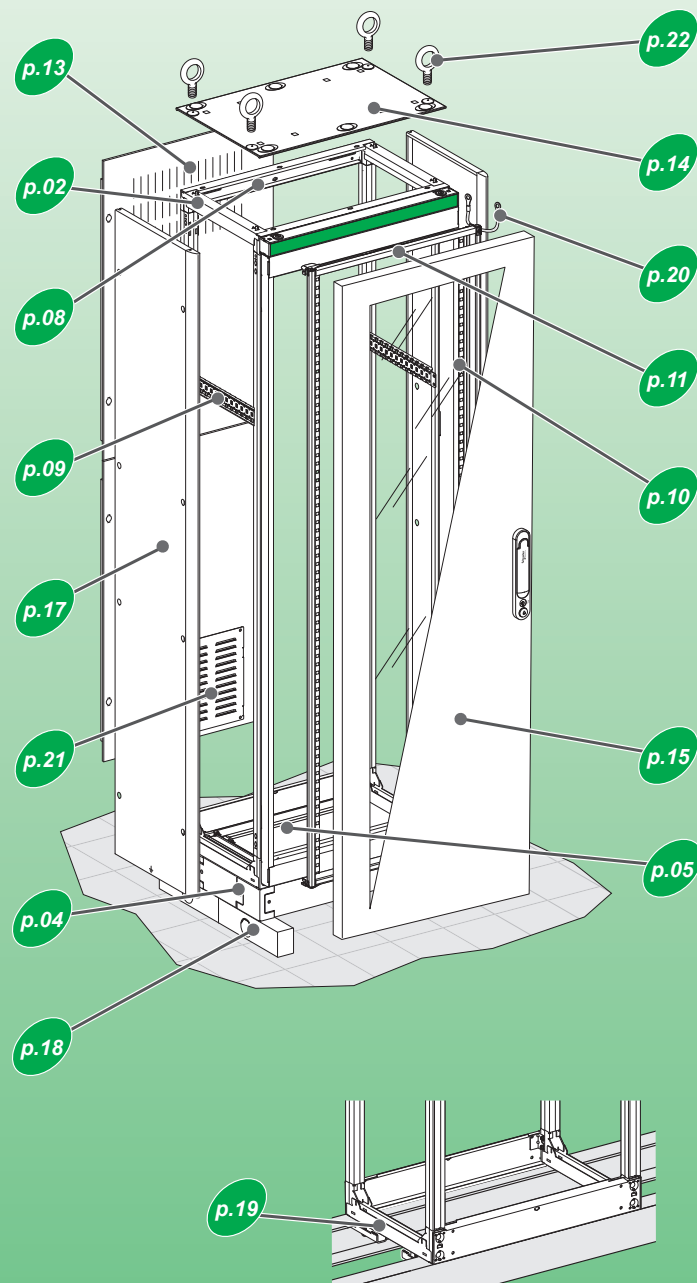


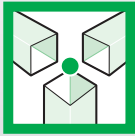
# PrismaSeT P IP30 / IP55



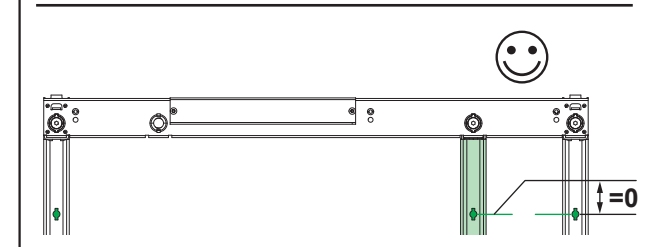
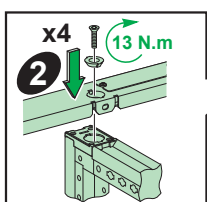
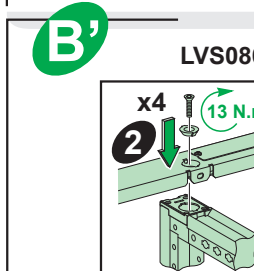
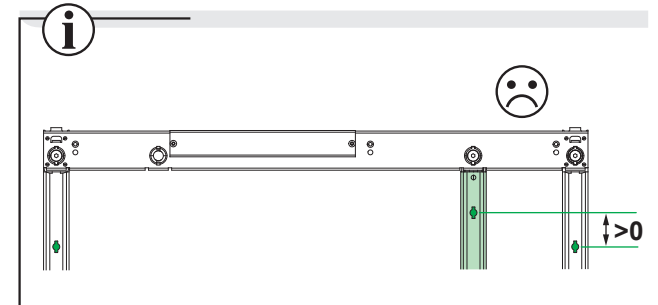
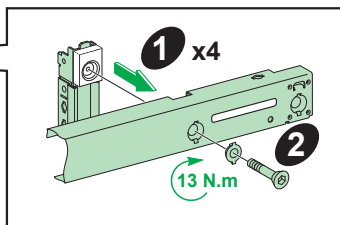
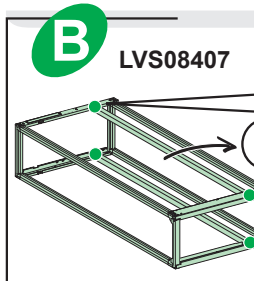
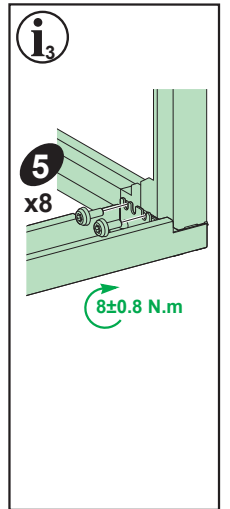
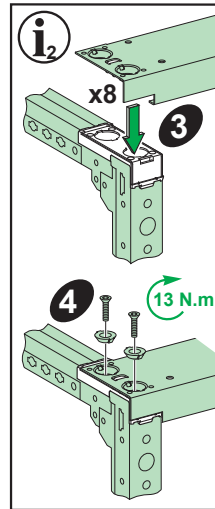
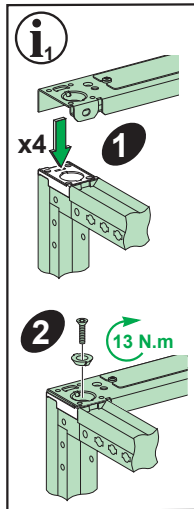
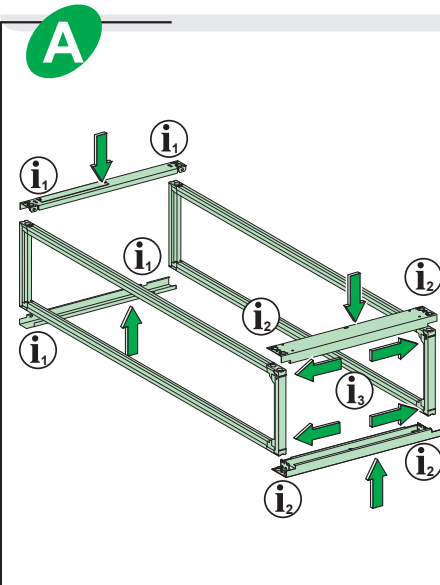
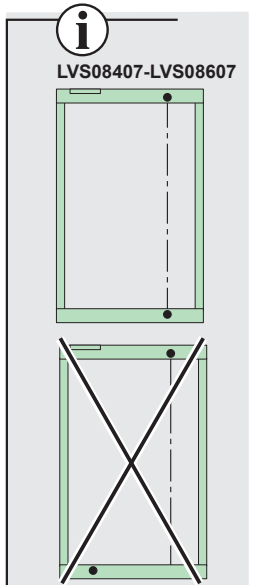
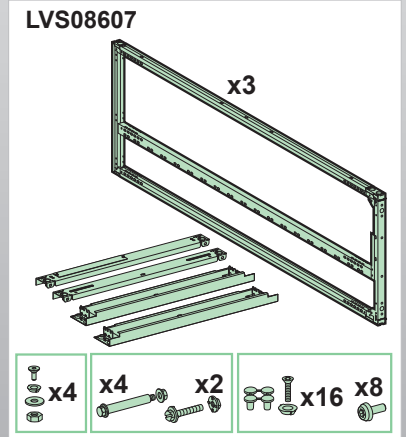
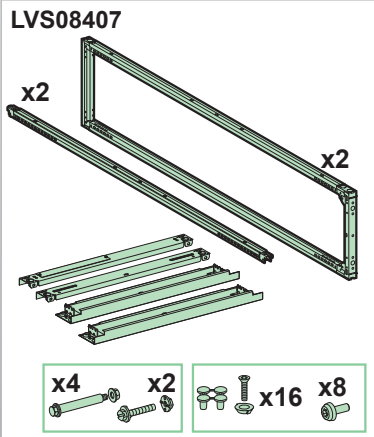
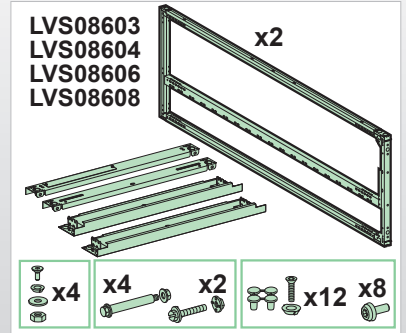
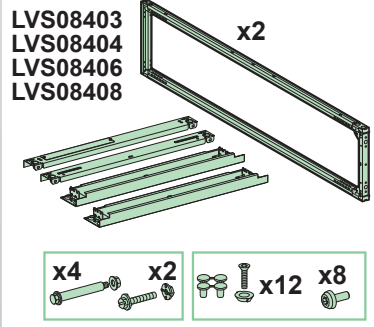
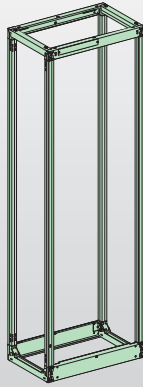
LVS08403 / LVS08404 / LVS08406 / LVS08407 / LVS08408 / LVS08603 / LVS08604 / LVS08606 / LVS08607 / LVS08608 / LVS08717	p.02
LVS08723 / LVS08724 / LVS08726 / LVS08728	p.04
LVS08483 / LVS08484 / LVS08486 / LVS08487 / LVS08488 / LVS08493 / LVS08494 / LVS08496 / LVS08497 / LVS08498 / LVS08683 / LVS08684 / LVS08686 / LVS08687 / LVS08688 / LVS08693 / LVS08694 / LVS08696 / LVS08697 / LVS08698	p.05
LVS08719	p.08
LVS03584 / LVS03586 / LVS03587	p.09
LVS04234	p.10
LVS08560 / LVS08562 / LVS08564 / LVS08566 / LVS08574 / LVS08576 / LVS08578	p.11
LVS08733 / LVS08734 / LVS08736 / LVS08738 / LVS08743 / LVS08744 / LVS08746 / LVS08748	p.13
LVS08433 / LVS08434 / LVS08436 / LVS08438 / LVS08453 / LVS08454 / LVS08456 / LVS08458 / LVS08633 / LVS08634 / LVS08636 / LVS08638 / LVS08653 / LVS08654 / LVS08656 / LVS08658	p.14
LVS01224 / LVS01225 / LVS08513 / LVS08514 / LVS08516 / LVS08518 / LVS08523 / LVS08524 / LVS08526 / LVS08528 / LVS08534 / LVS08536 / LVS08538 / LVS08544 / LVS08546 / LVS08548	p.15
LVS08750 / LVS08755 / LVS08760 / LVS08765	p.17
LVS08701	p.18
LVS08703	p.19
LVS08910 / LVS08911	p.20
LVS08711	p.21
LVS07932 / LVS07933 / LVS08700	p.22

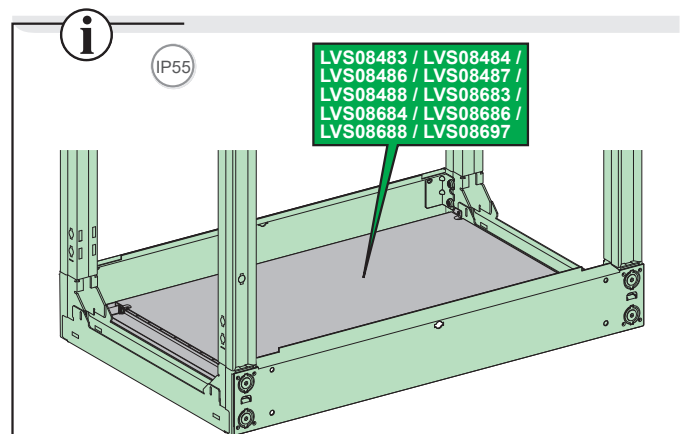
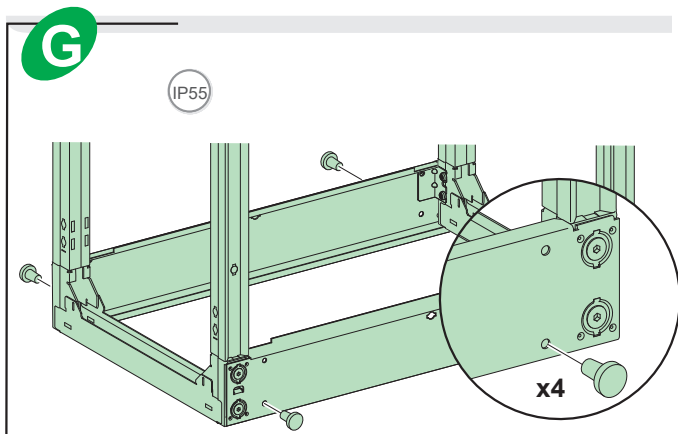
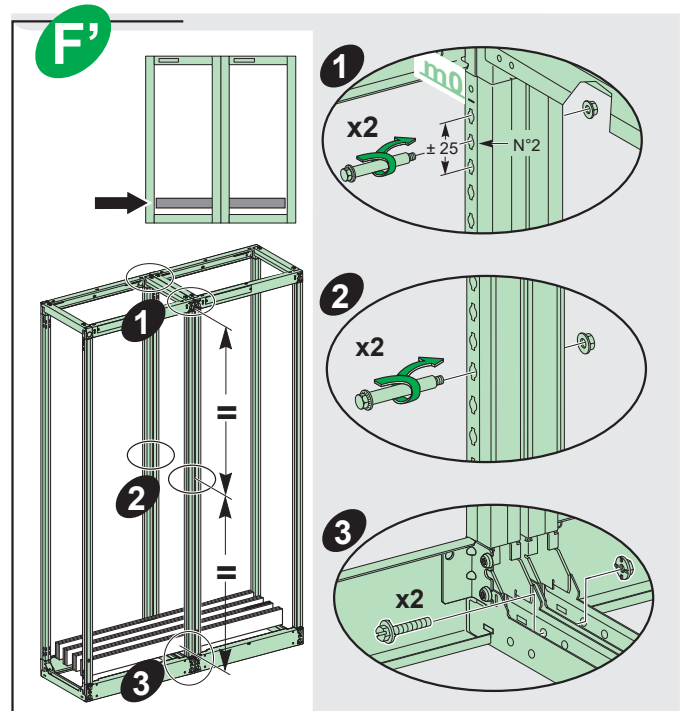
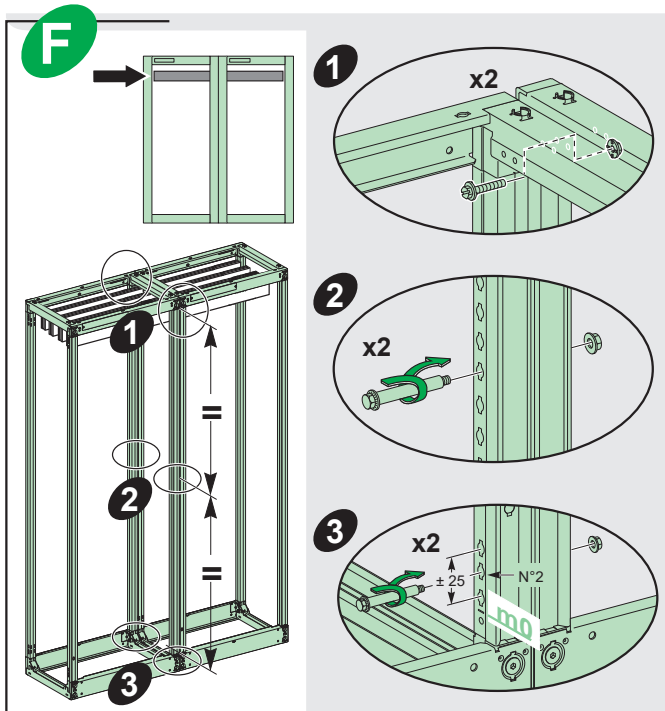
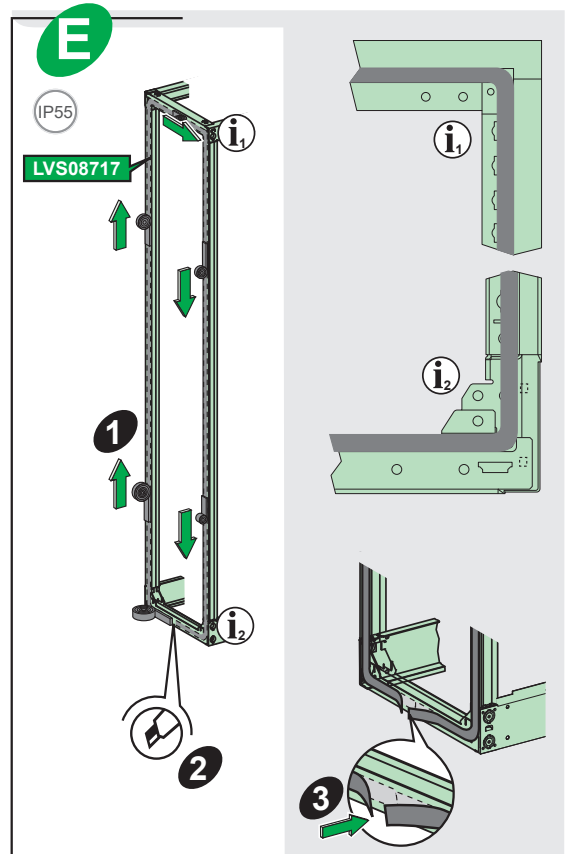
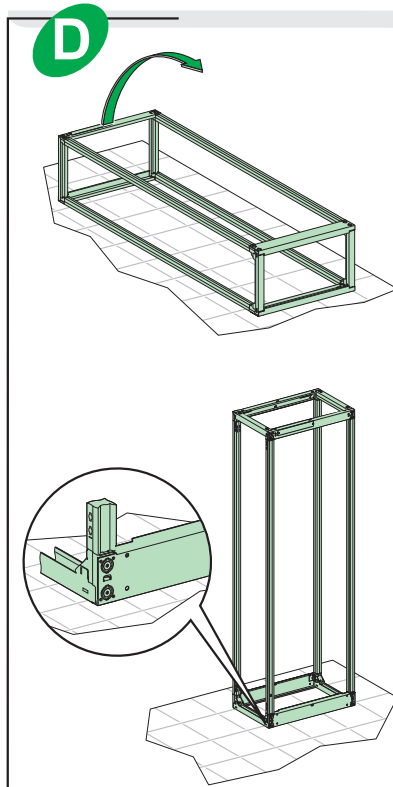
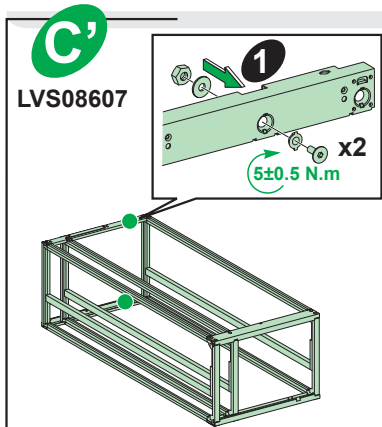
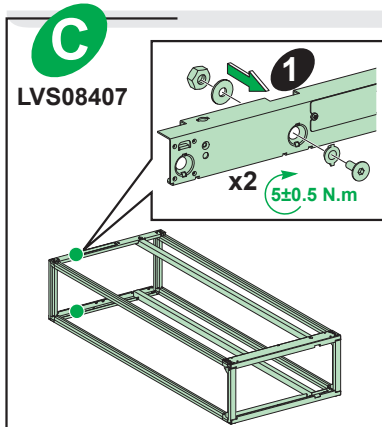
<p><b>PLEASE NOTE</b> Electrical equipment should be installed, operated, serviced, and maintained only by qualified personnel. No responsibility is assumed by Schneider Electric for any consequences arising out of the use of this material.</p>	<p><b>REMARQUE IMPORTANTE</b> L'installation, l'utilisation, la réparation et la maintenance des équipements électriques doivent être assurées uniquement par du personnel qualifié. Schneider Electric décline toute responsabilité quant aux conséquences de l'utilisation de ce matériel.</p>	<p><b>TENGA EN CUENTA</b> La instalación, manejo, puesta en servicio y mantenimiento de equipos eléctricos deberán ser realizados sólo por personal cualificado. Schneider Electric no se hace responsable de ninguna de las consecuencias del uso de este material.</p>	<p><b>BITTE BEACHTEN</b> Elektrische Geräte dürfen nur von Fachpersonal installiert, betrieben, bedient und gewartet werden. Schneider Electric haftet nicht für Schäden, die durch die Verwendung dieses Materials entstehen.</p>
<p><b>NOTA</b> Manutenzione, riparazione, installazione e uso delle apparecchiature elettriche si devono affidare solo a personale qualificato. Schneider Electric non si assume alcuna responsabilità per qualsiasi conseguenza derivante dall'uso di questo materiale.</p>	<p><b>NOTA</b> A instalação, utilização e manutenção do equipamento eléctrico devem ser efectuadas exclusivamente por pessoal qualificado. A Schneider Electric não assume qualquer responsabilidade pelas consequências resultantes da utilização deste material.</p>	<p><b>请注意</b> 电气设备的安装、操作、维修和维护工作仅限于合格人员执行。Schneider Electric不承担由于使用本资料所引起的任何后果。</p>	<p><b>ОБРАТИТЕ ВНИМАНИЕ</b> Установка, эксплуатация, ремонт и обслуживание электрического оборудования может выполняться только квалифицированными электриками. Компания Schneider Electric не несет никакой ответственности за любые возможные последствия использования данной документации.</p>

# PrismaSeT P

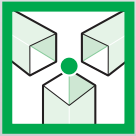


LVS08403 / LVS08404  
 LVS08406 / LVS08407  
 LVS08408 / LVS08603  
 LVS08604 / LVS08606  
 LVS08607 / LVS08608

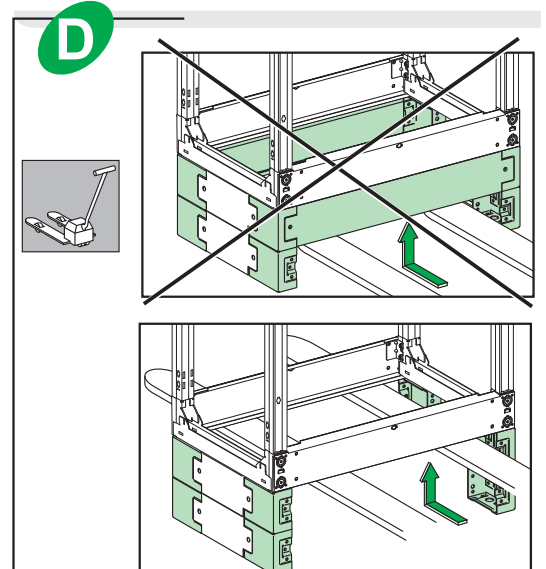
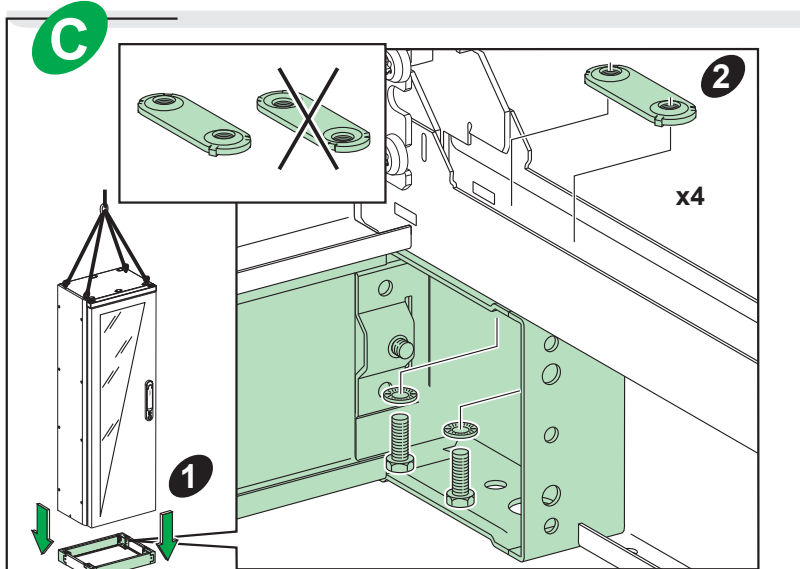
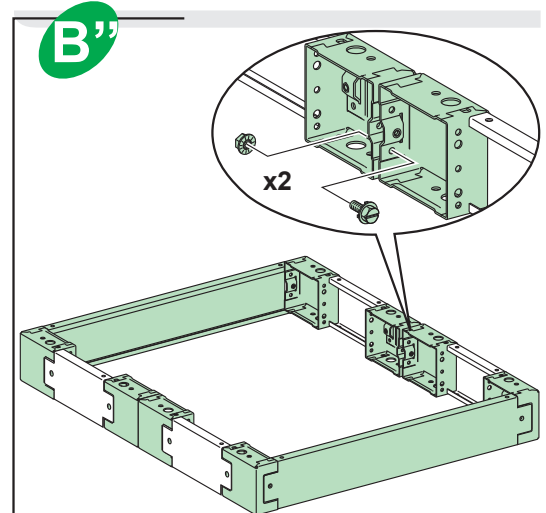
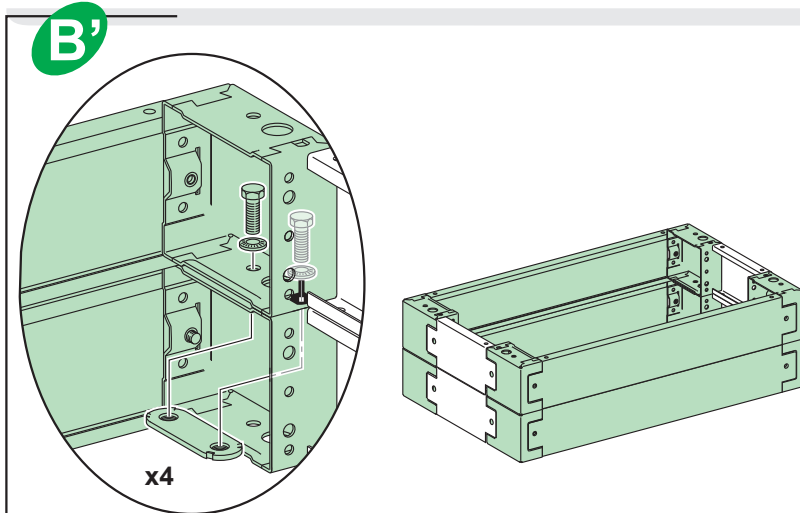
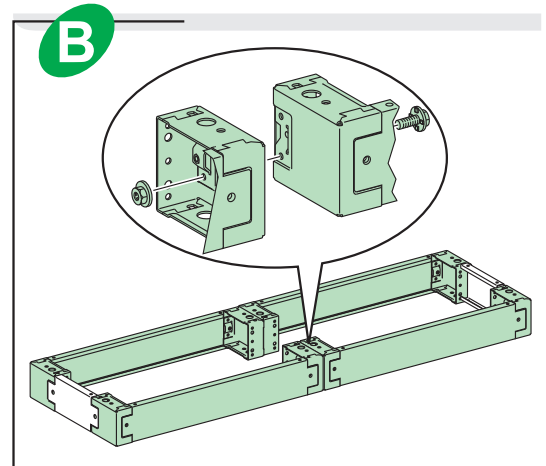
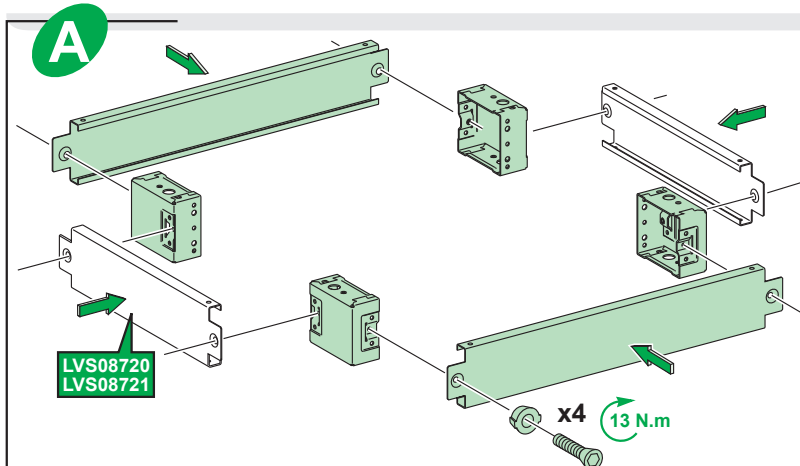
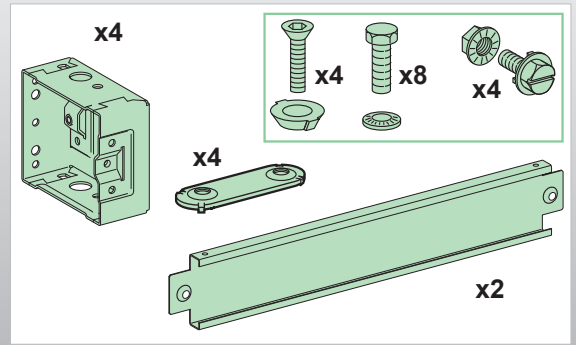
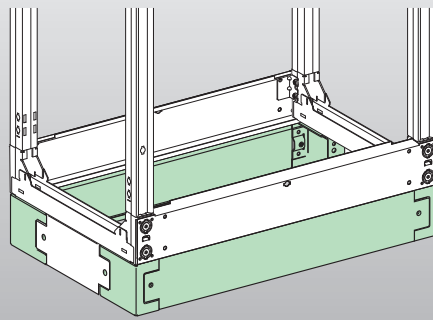




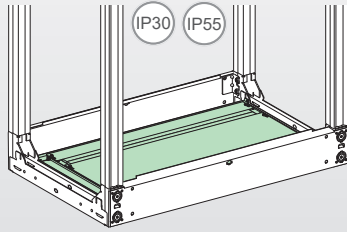
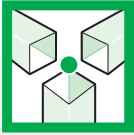
# PrismaSeT P



LVS08723  
LVS08724  
LVS08726  
LVS08728



# PrismaSeT P



LVS08483 / LVS08484 / LVS08486 /  
 LVS08487 / LVS08488 / LVS08493 /  
 LVS08494 / LVS08496 / LVS08497 /  
 LVS08498 / LVS08683 / LVS08684 /  
 LVS08686 / LVS08687 / LVS08688 /  
 LVS08693 / LVS08694 / LVS08696 /  
 LVS08697 / LVS08698

LVS08493  
 LVS08494  
 LVS08693  
 LVS08694

IP30

x8  
 x4  
 x8 (M5)  
 x4 (M6)

x2

LVS08496  
 LVS08498  
 LVS08696  
 LVS08698

IP30

x10  
 x4  
 x10 (M5)  
 x4 (M6)

x2

LVS08497

IP30

x12  
 x4  
 x12 (M5)  
 x4 (M6)

x2

LVS08697

IP30

x2  
 x2  
 x18  
 x18 (M5)  
 x8 (M6)

x2

LVS08487

IP55

x2  
 x2  
 x10  
 x10 (M5)  
 x4 (M6)

LVS08687

IP55

x2  
 x2  
 x16  
 x16 (M5)  
 x8 (M6)

LVS08483  
 LVS08484  
 LVS08486  
 LVS08488  
 LVS08683  
 LVS08684  
 LVS08686  
 LVS08688

IP55

x2  
 x2  
 x10  
 x10 (M5)  
 x4 (M6)

**i** LVS08746  
 LVS08748

IP55

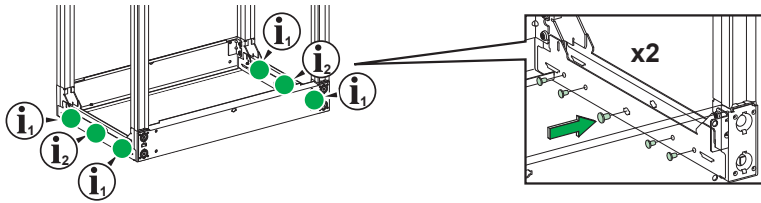
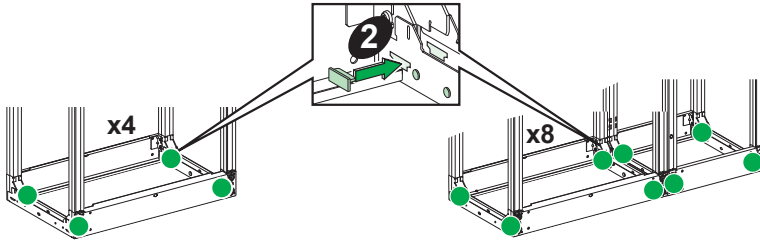
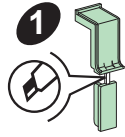
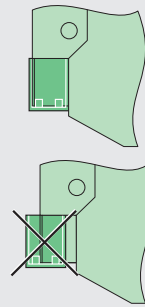
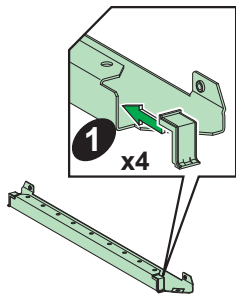
1

2

3

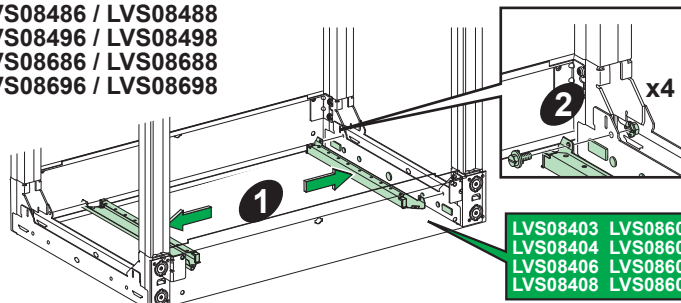
**A**

- i<sub>1</sub>** Ø6 x8
- i<sub>2</sub>** Ø10 x2

**B****C****D**

LVS08483 / LVS08484 / LVS08486 / LVS08488  
 LVS08493 / LVS08494 / LVS08496 / LVS08498  
 LVS08683 / LVS08684 / LVS08686 / LVS08688  
 LVS08693 / LVS08694 / LVS08696 / LVS08698

- IP30
- IP55

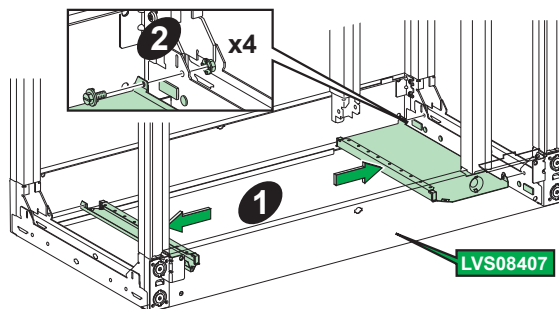
**D'**

LVS08497

- IP30

LVS08487

- IP55

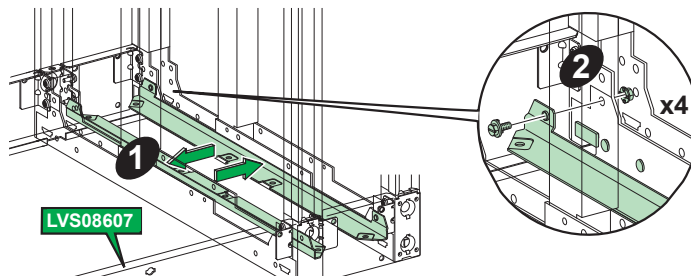
**D''**

LVS08697

- IP30

LVS08687

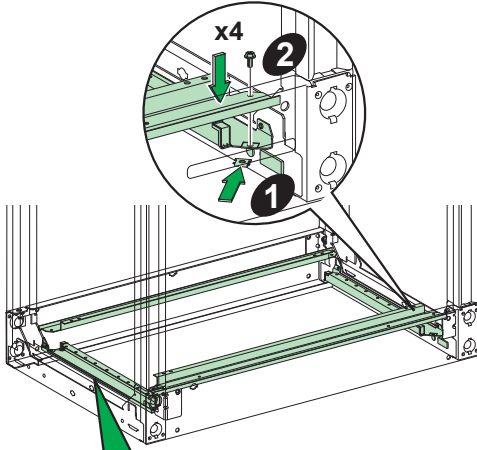
- IP55



# E

IP30

- LVS08493
- LVS08494
- LVS08496
- LVS08498
- LVS08693
- LVS08694
- LVS08696
- LVS08698



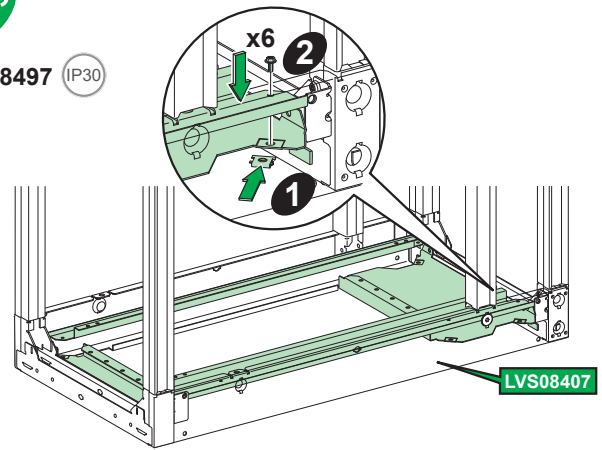
IP55

- LVS08483
- LVS08484
- LVS08486
- LVS08488
- LVS08683
- LVS08684
- LVS08686
- LVS08687
- LVS08688

- LVS08403
- LVS08404
- LVS08406
- LVS08408
- LVS08603
- LVS08604
- LVS08606
- LVS08608
- LVS08607

# E'

LVS08497 IP30

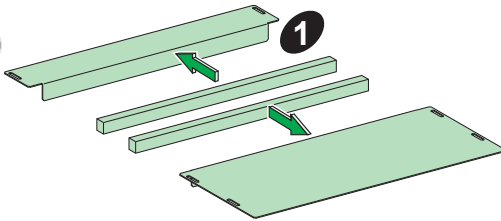


LVS08407

# i

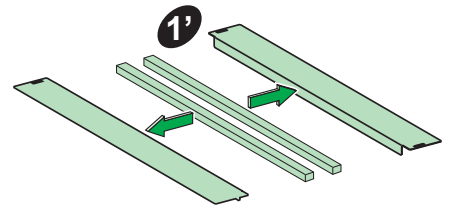
- LVS08496
- LVS08497
- LVS08498
- LVS08696
- LVS08697
- LVS08698

IP30



- LVS08493
- LVS08494
- LVS08693
- LVS08694

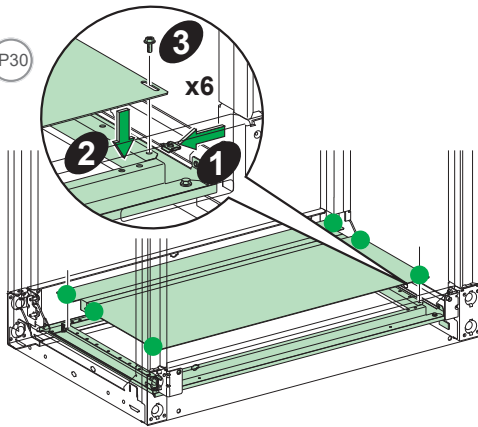
IP30



# F

- LVS08496
- LVS08497
- LVS08498
- LVS08696
- LVS08697
- LVS08698

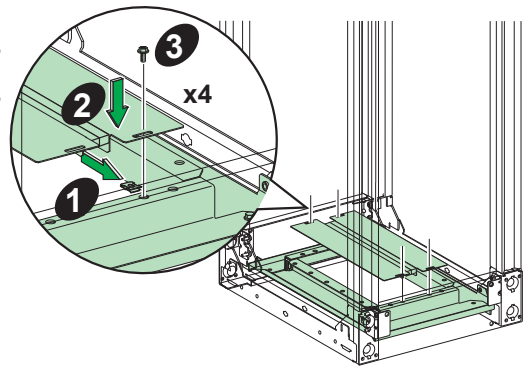
IP30



# F'

- LVS08493
- LVS08494
- LVS08693
- LVS08694

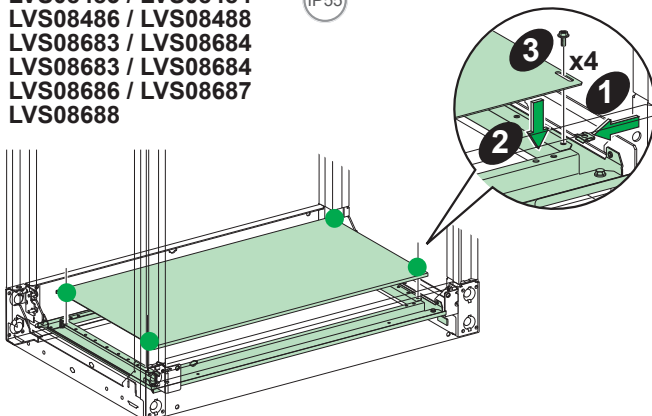
IP30



# F''

- LVS08483 / LVS08484
- LVS08486 / LVS08488
- LVS08683 / LVS08684
- LVS08683 / LVS08684
- LVS08686 / LVS08687
- LVS08688

IP55

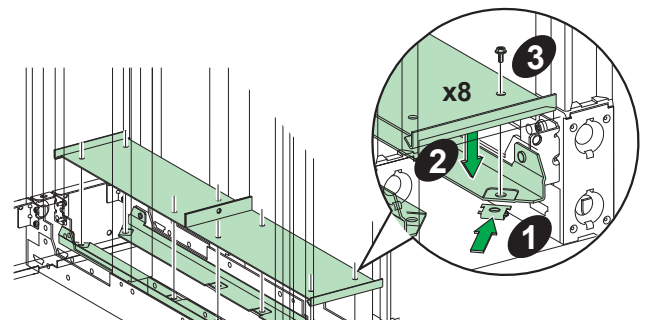


# F'''

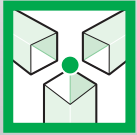
- LVS08697
- LVS08687

IP30

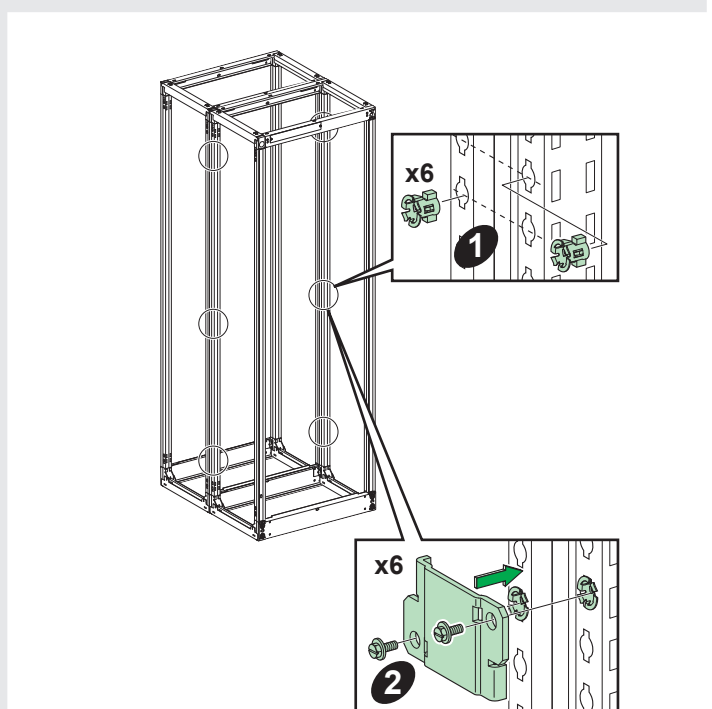
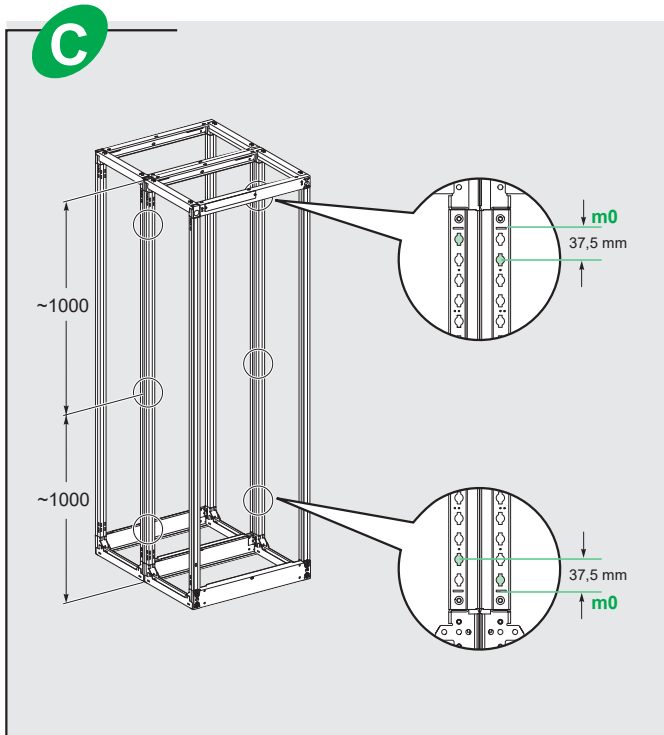
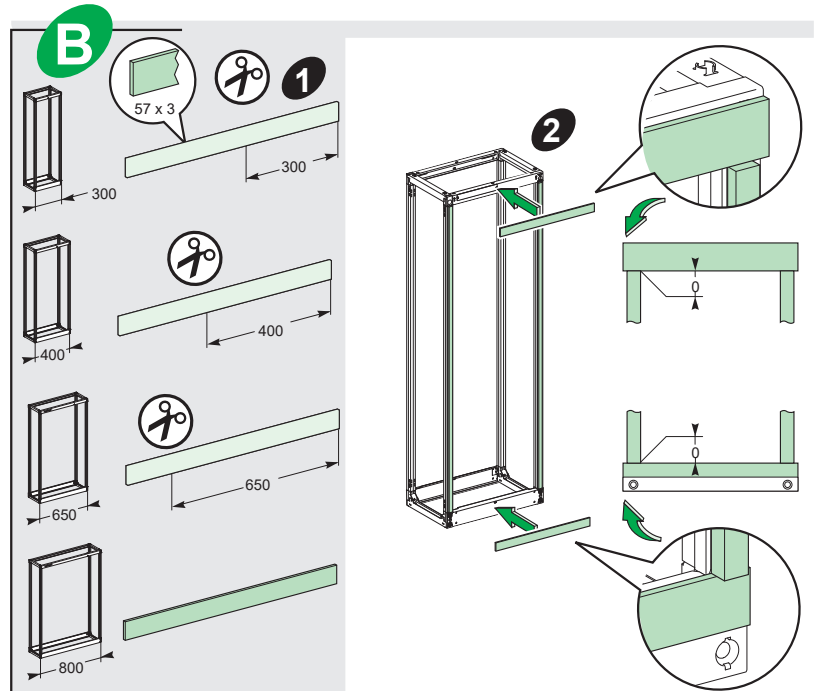
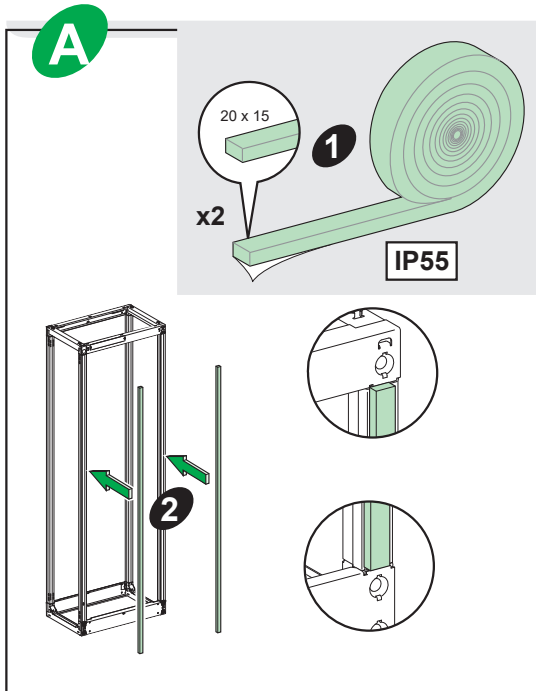
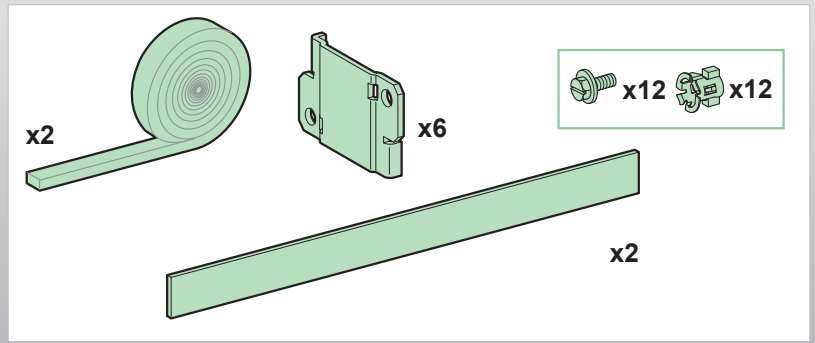
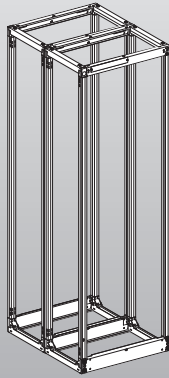
IP55



# PrismaSet P

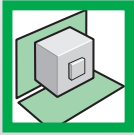


LVS08719

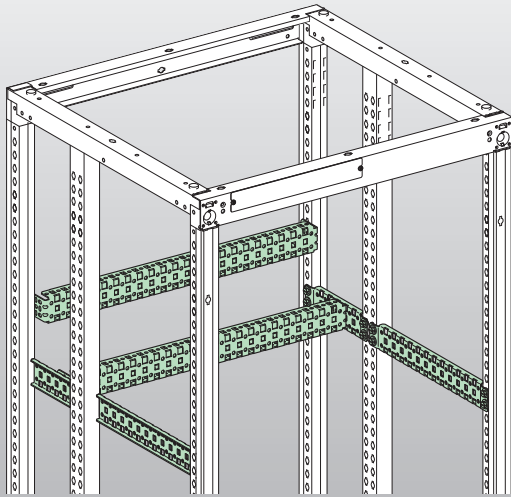




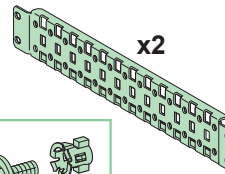
# PrismaSet P



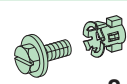
LVS03584  
LVS03586  
LVS03587



LVS03584

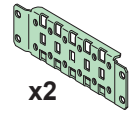


x2

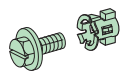


x8

LVS03586

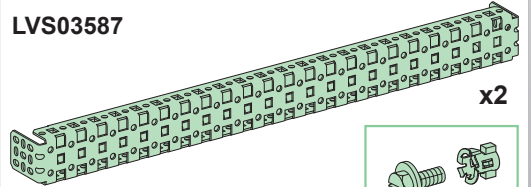


x2

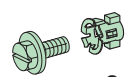


x8

LVS03587

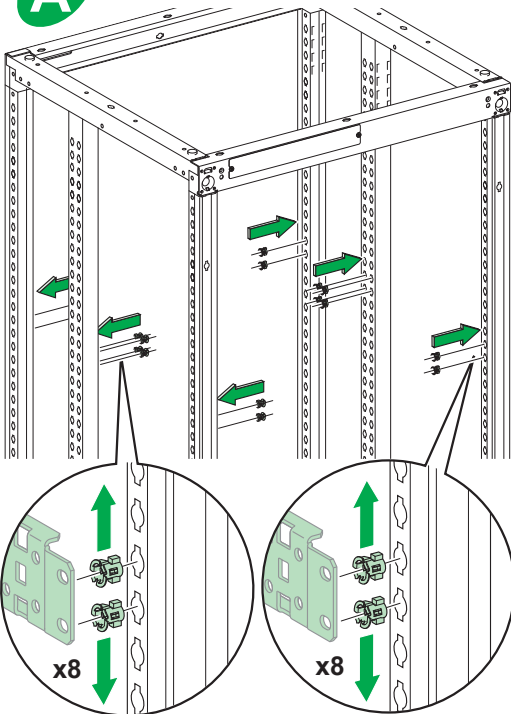


x2



x8

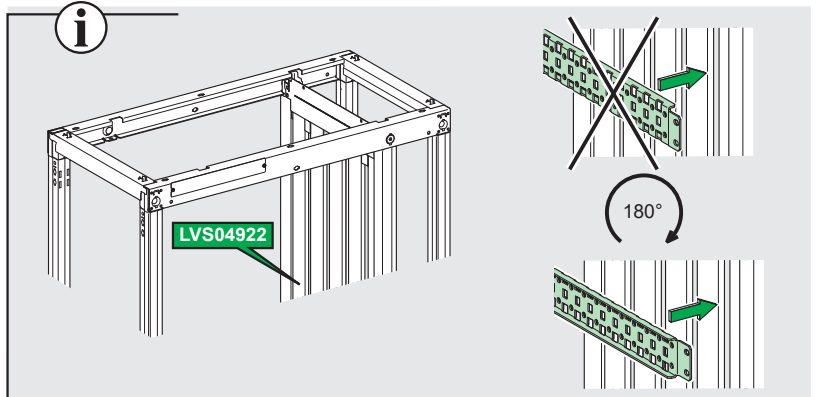
**A**



LVS03586

LVS03584

**i**

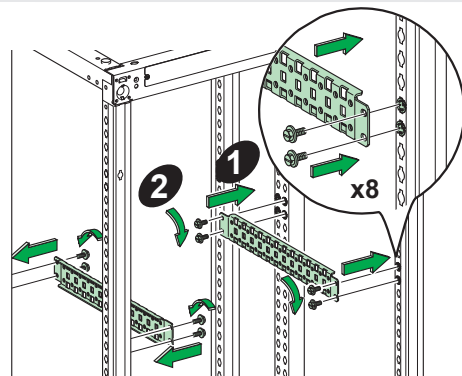


LVS04922

180°

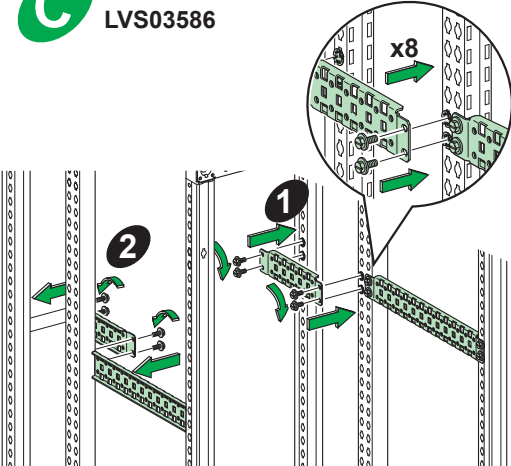
**B**

LVS03584



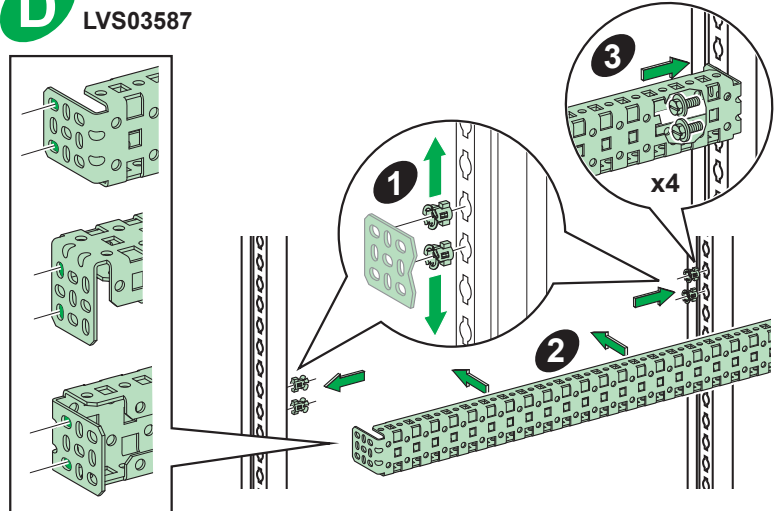
**C**

LVS03586

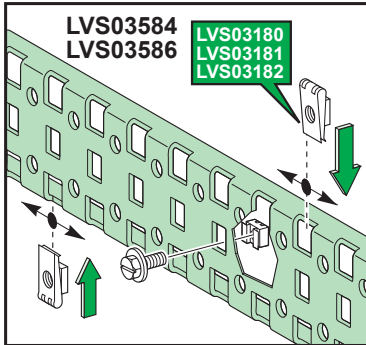
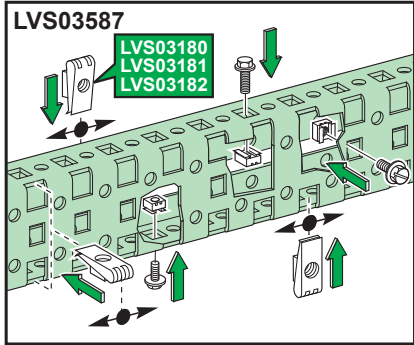
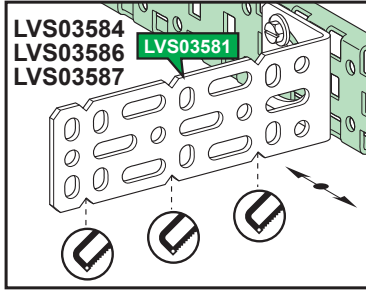
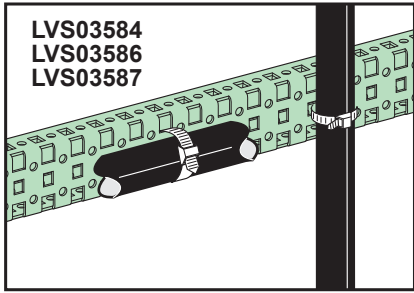


**D**

LVS03587

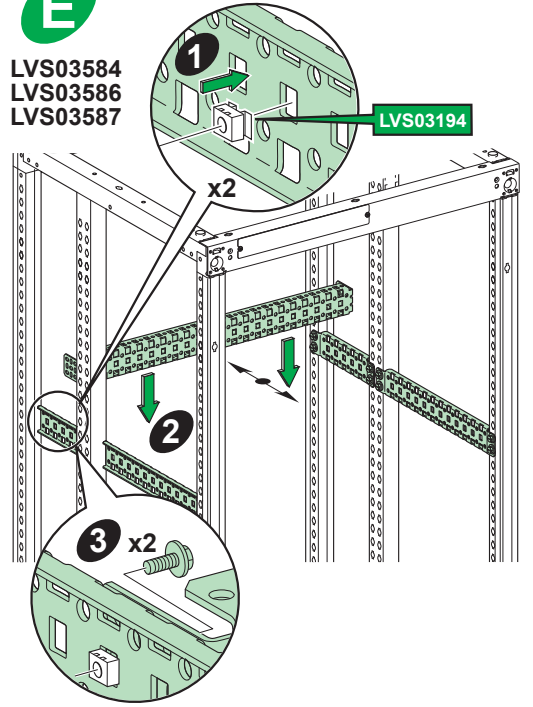


**i**

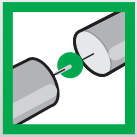


**E**

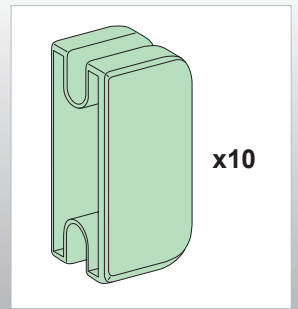
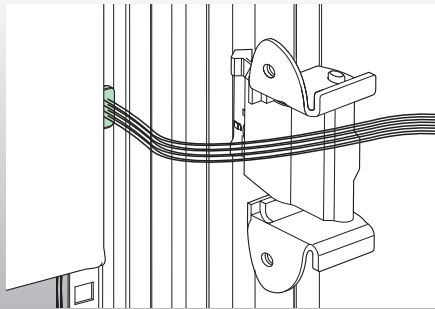
LVS03584  
LVS03586  
LVS03587



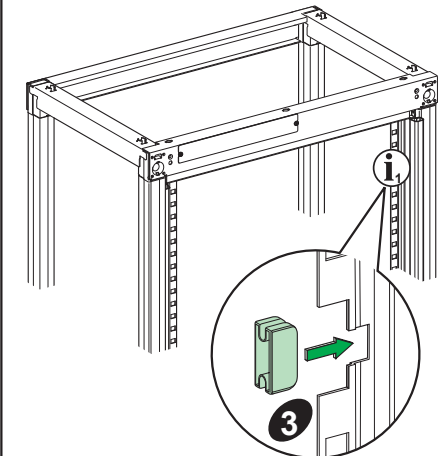
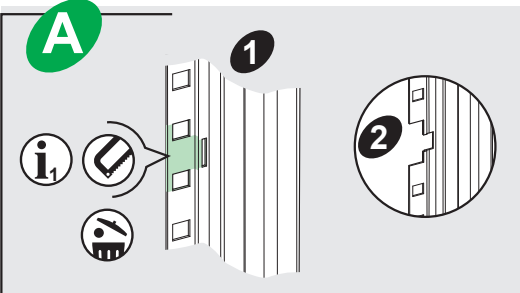
### PrismaSet P



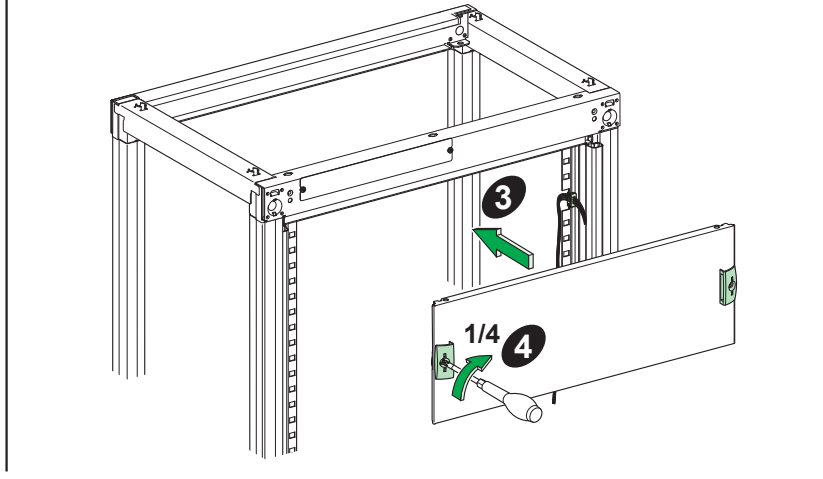
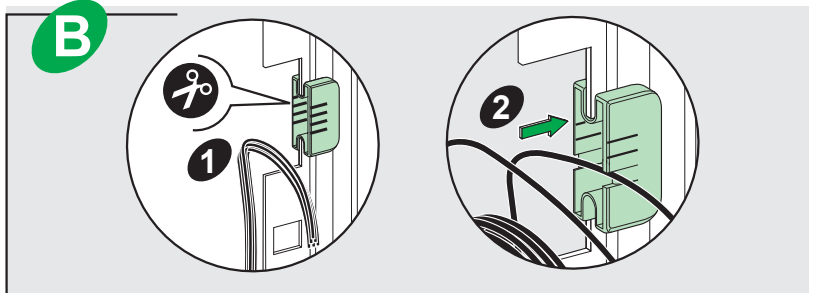
LVS04234



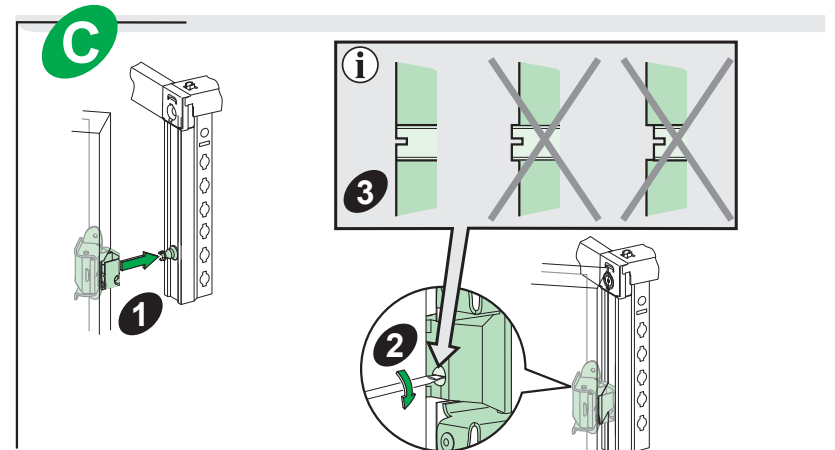
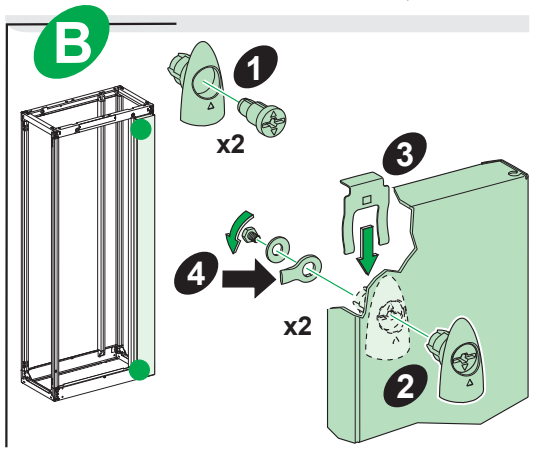
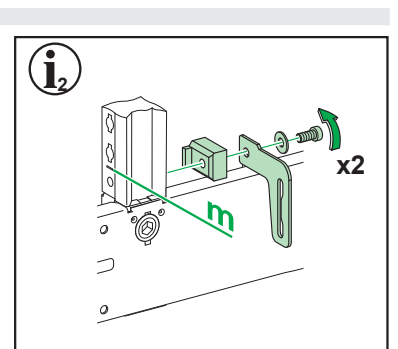
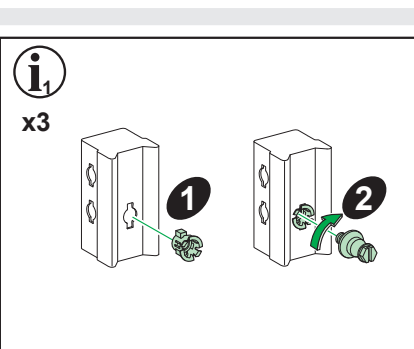
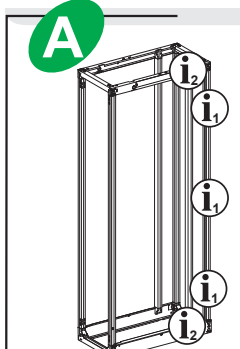
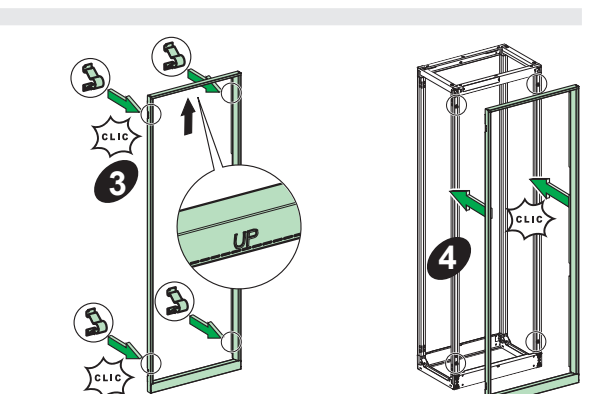
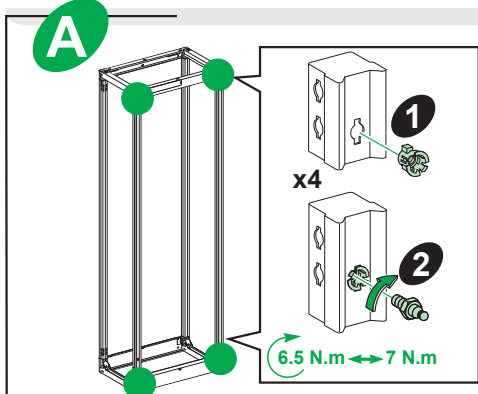
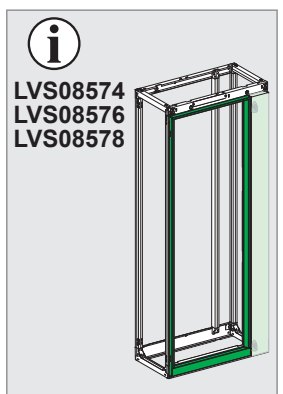
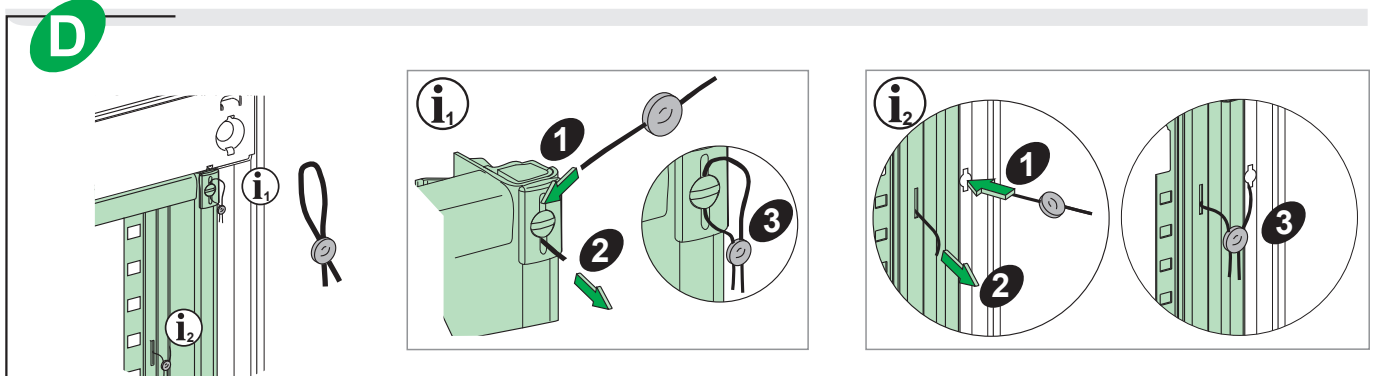
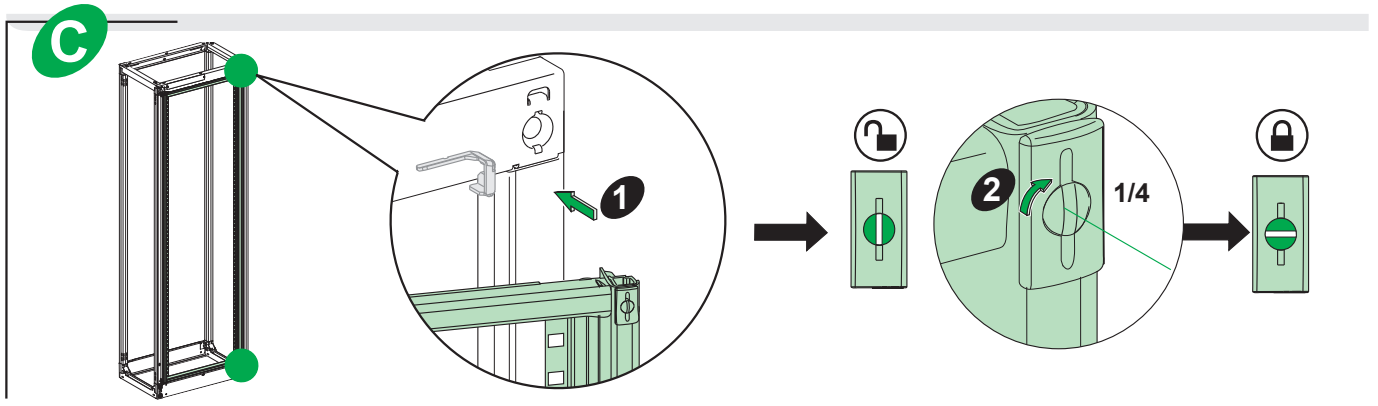
**A**



**B**



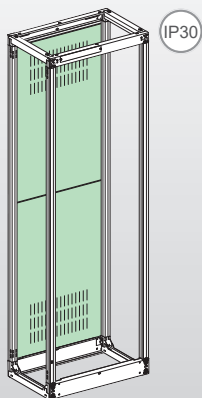




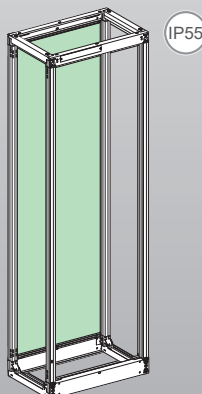
# PrismaSeT P



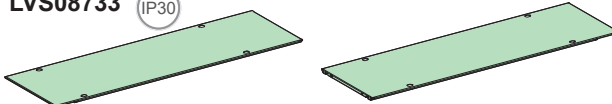
LVS08733  
LVS08734  
LVS08736  
LVS08738



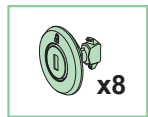
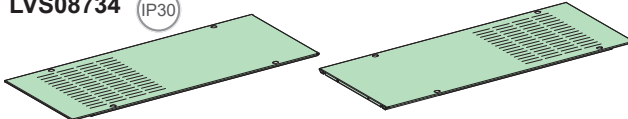
LVS08743  
LVS08744  
LVS08746  
LVS08748



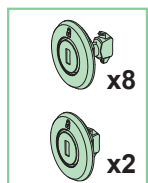
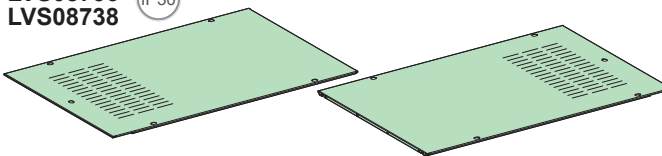
LVS08733 IP30



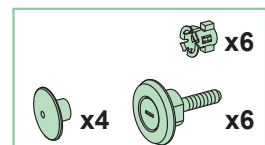
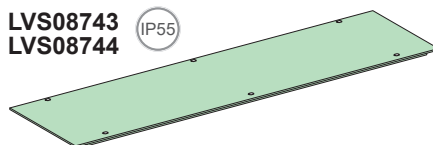
LVS08734 IP30



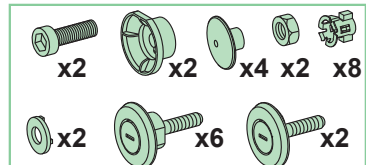
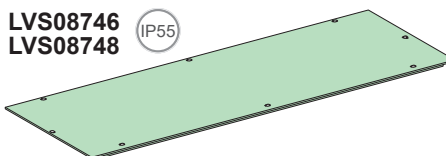
LVS08736 IP30  
LVS08738



LVS08743 IP55  
LVS08744



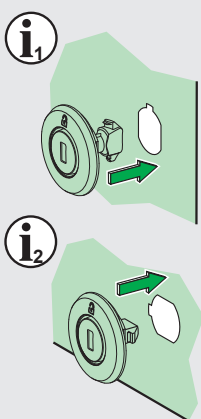
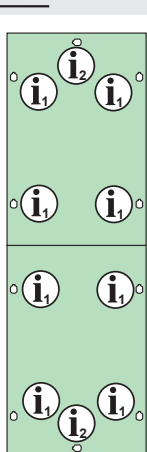
LVS08746 IP55  
LVS08748



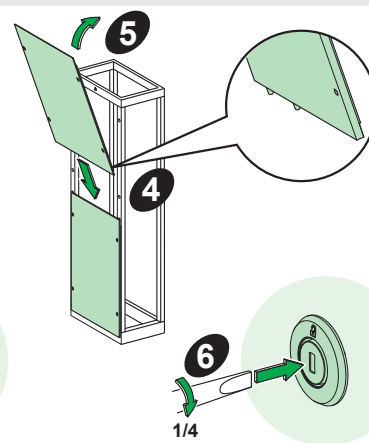
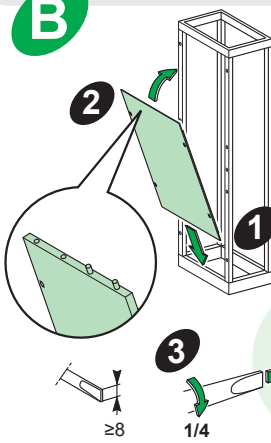
**A**

IP30

LVS08733  
LVS08734  
LVS08736  
LVS08738



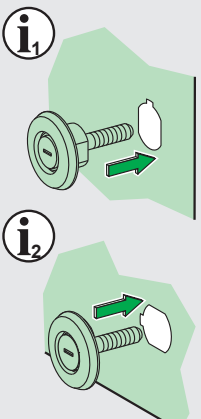
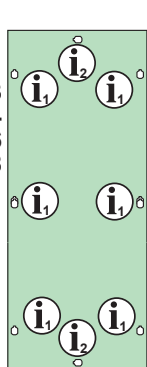
**B**



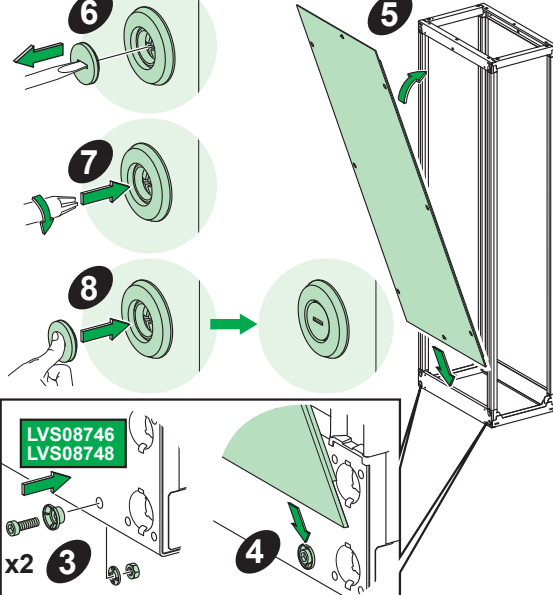
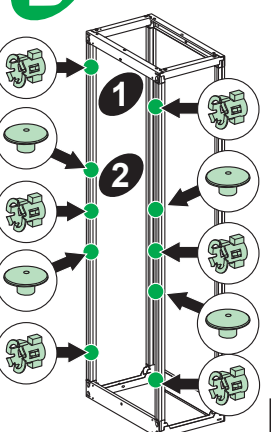
**A'**

IP55

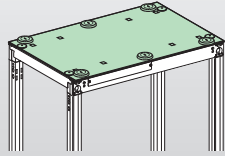
LVS08743  
LVS08744  
LVS08746  
LVS08748



**B'**



# PrismaSeT P



**LVS08433 / LVS08434**  
**LVS08436 / LVS08438**  
**LVS08453 / LVS08454**  
**LVS08456 / LVS08458**  
**LVS08633 / LVS08634**  
**LVS08636 / LVS08638**  
**LVS08653 / LVS08654**  
**LVS08656 / LVS08658**

**LVS08433**  
**LVS08434**  
**LVS08633**  
**LVS08634**

x4 x4

**LVS08453**  
**LVS08454**  
**LVS08653**  
**LVS08654**

x4 x4

**LVS08436**  
**LVS08438**  
**LVS08636**  
**LVS08638**

x4 x6

**LVS08456**  
**LVS08458**  
**LVS08656**  
**LVS08658**

x4 x6

**A**

**IP30**  
**LVS08433**  
**LVS08434**  
**LVS08633**  
**LVS08634**

**IP55**  
**LVS08453**  
**LVS08454**  
**LVS08653**  
**LVS08654**

**IP30**  
**LVS08436**  
**LVS08438**  
**LVS08636**  
**LVS08638**

**IP55**  
**LVS08456**  
**LVS08458**  
**LVS08656**  
**LVS08658**

**IP30**  
**IP55**

**B**

**IP55**  
**LVS08453**  
**LVS08454**  
**LVS08456**  
**LVS08458**  
**LVS08653**  
**LVS08654**  
**LVS08656**  
**LVS08658**

**i**

**C**

**IP30**  
**x4**  
**x6**  
**1/4**  
**1**

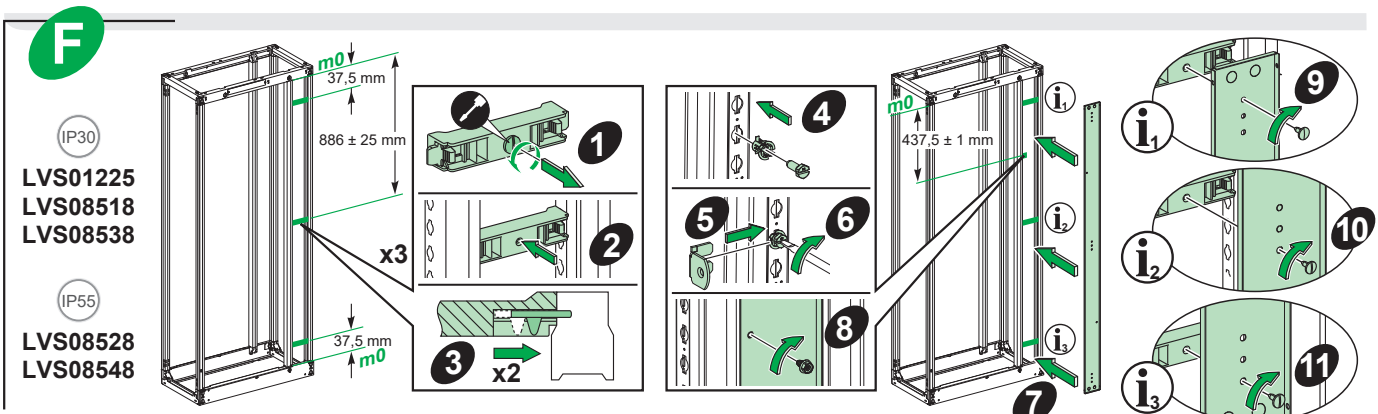
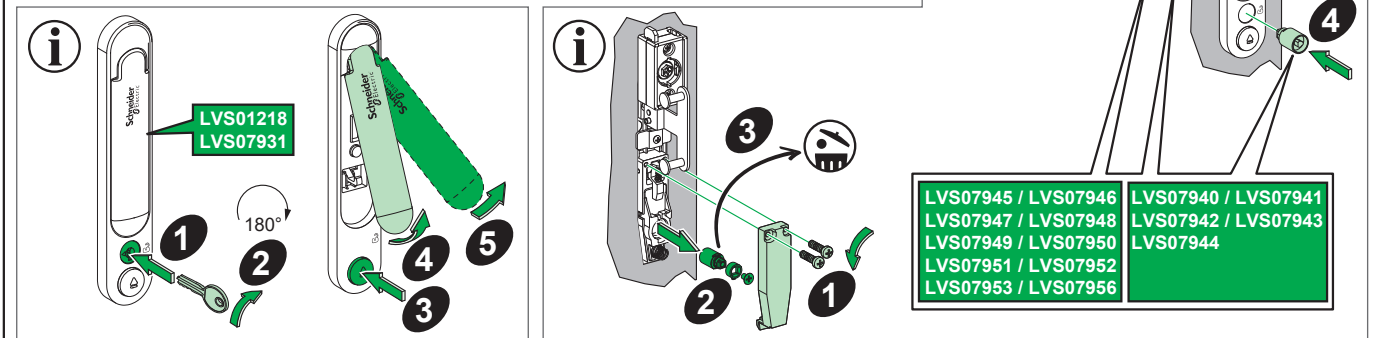
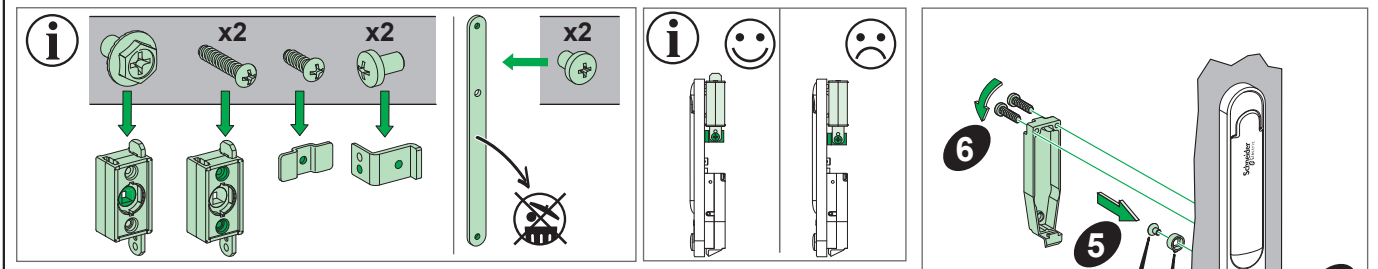
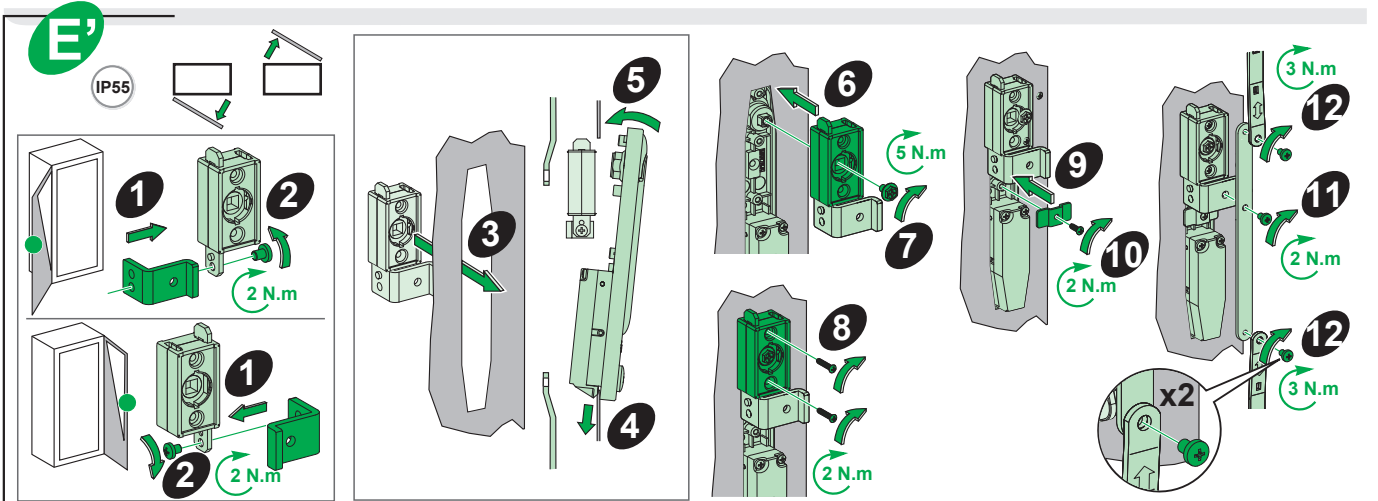
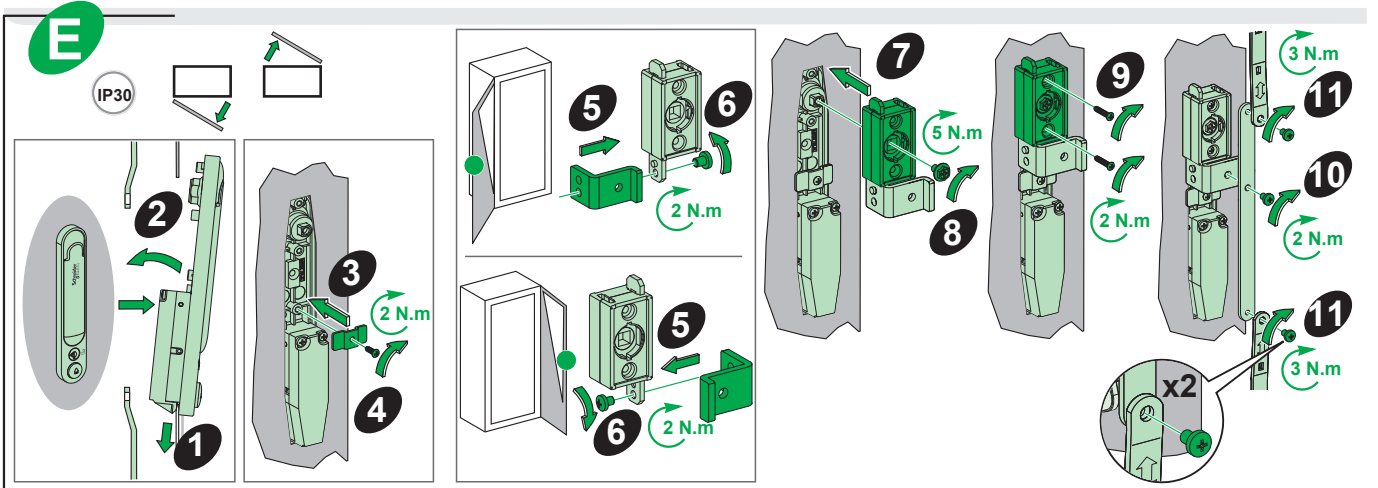
**IP55**  
**x4**  
**x6**  
**1'**

**2**  
**2'**

**3**  
**3'**

**4**  
**4'**

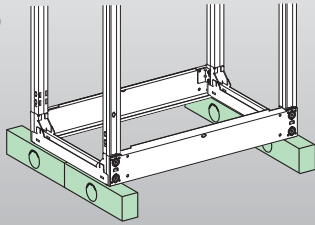




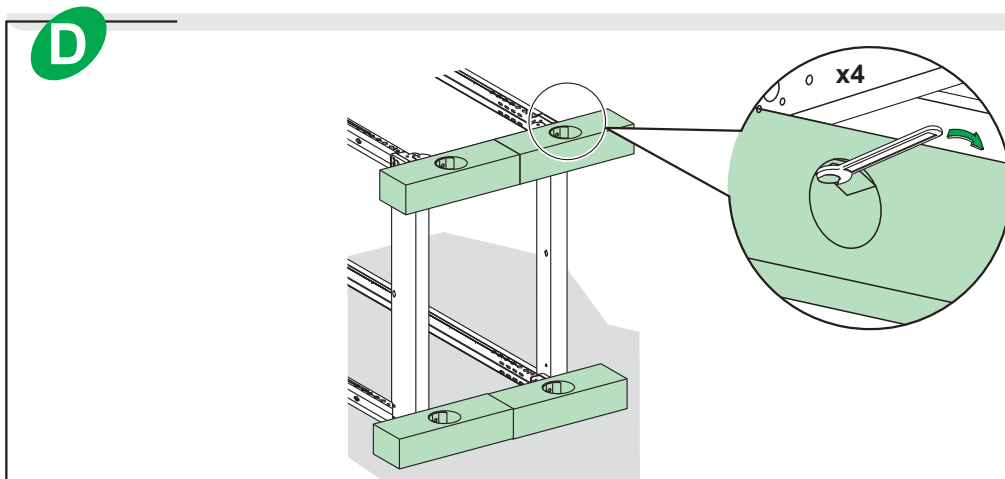
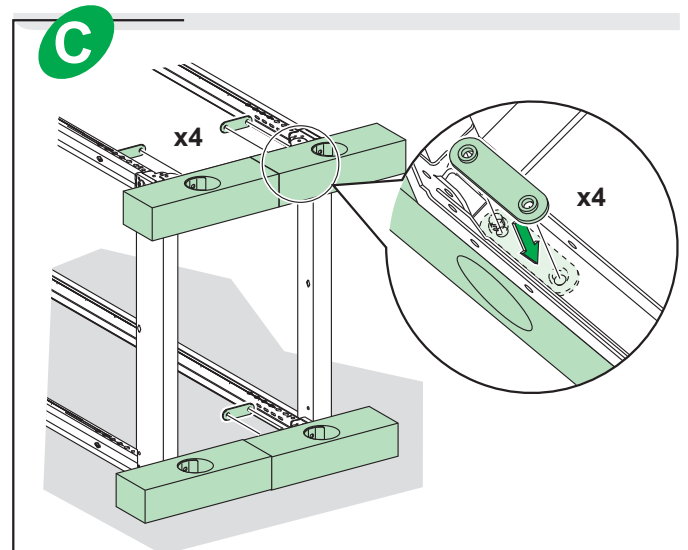
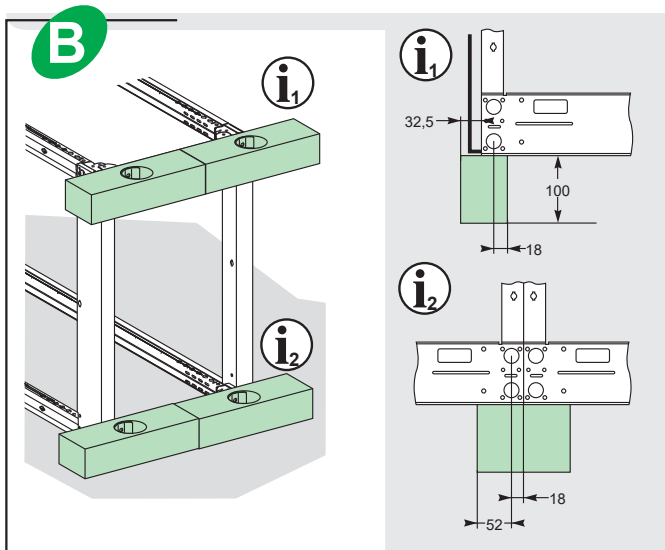
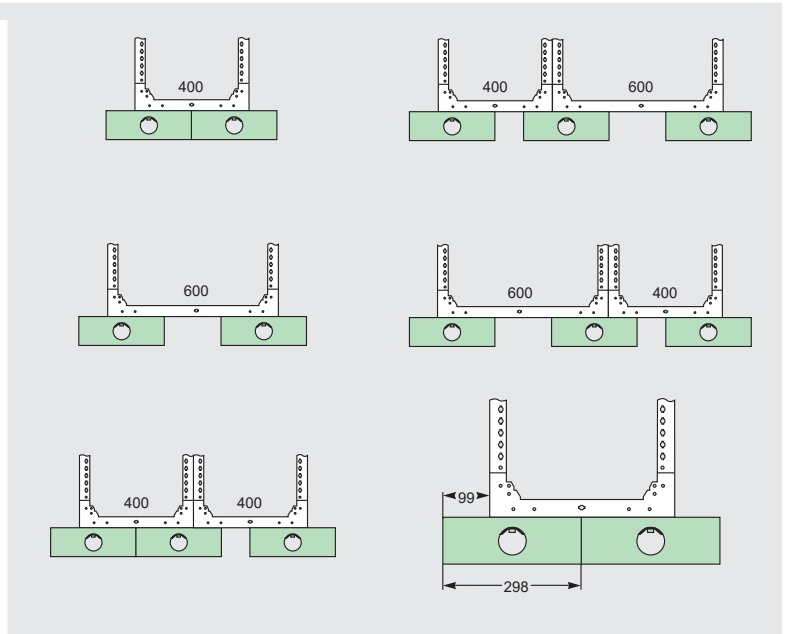
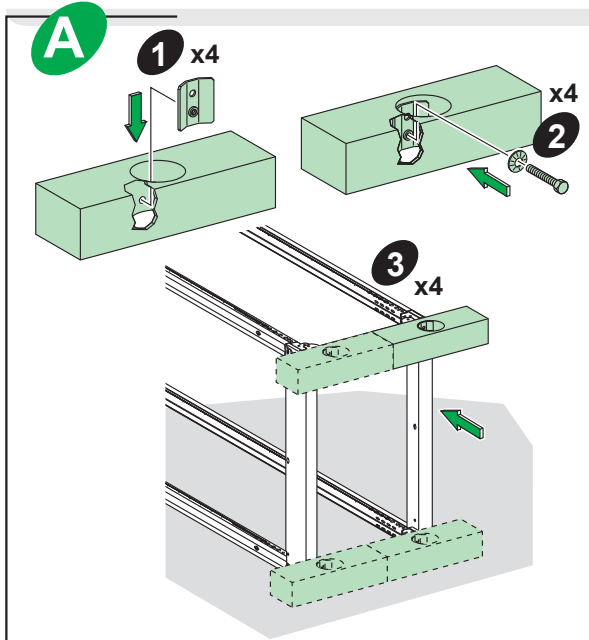
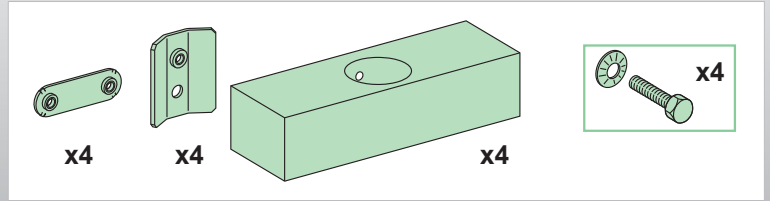


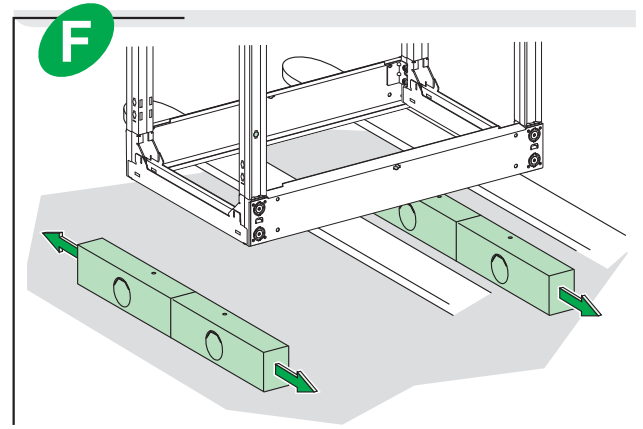
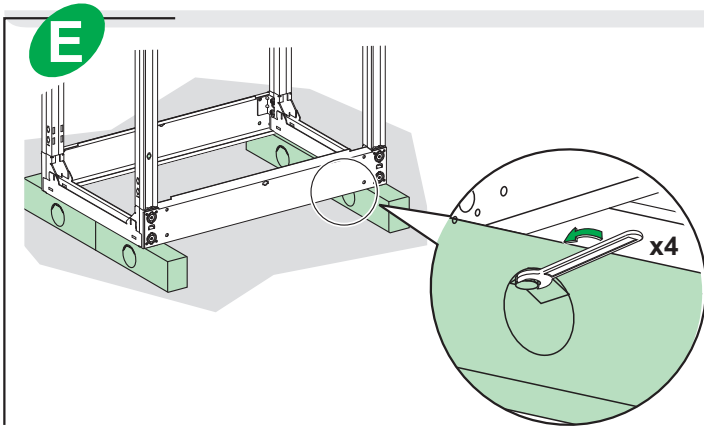


# PrismaSet P



LVS08701

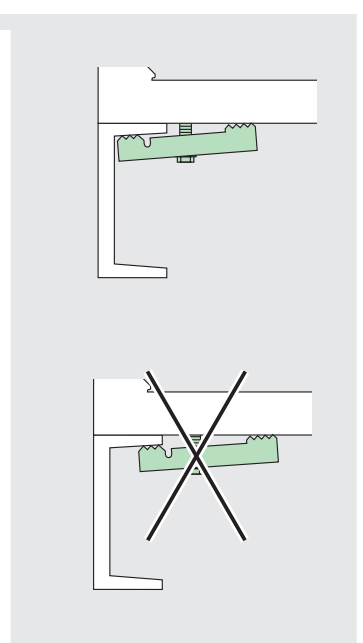
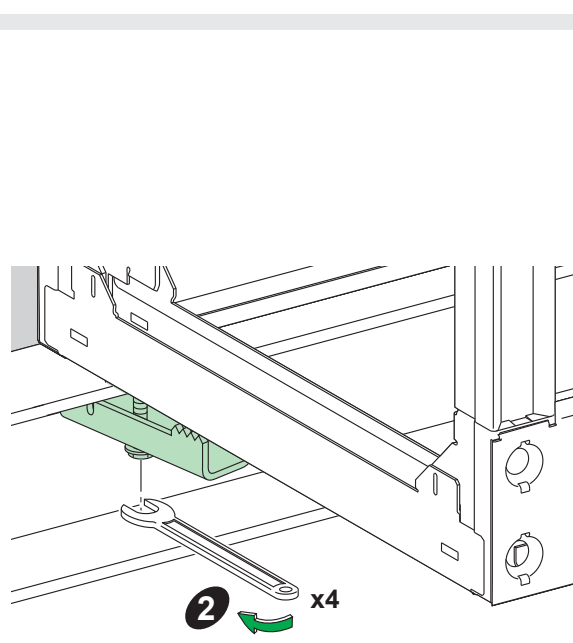
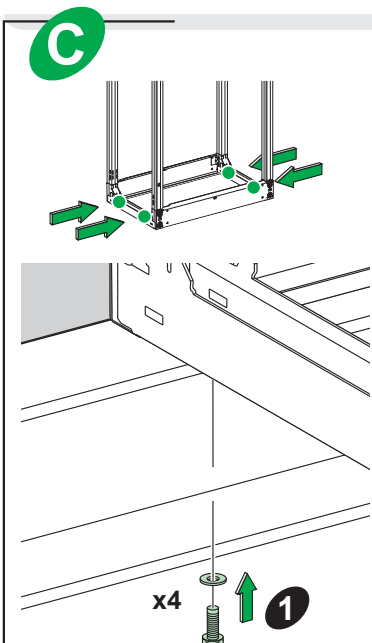
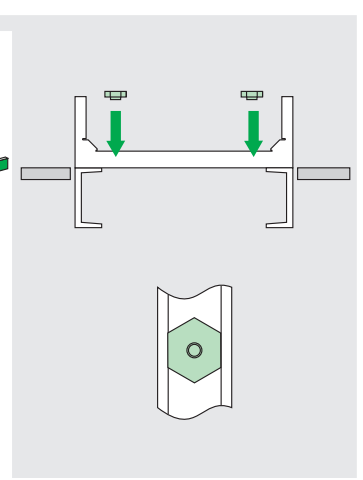
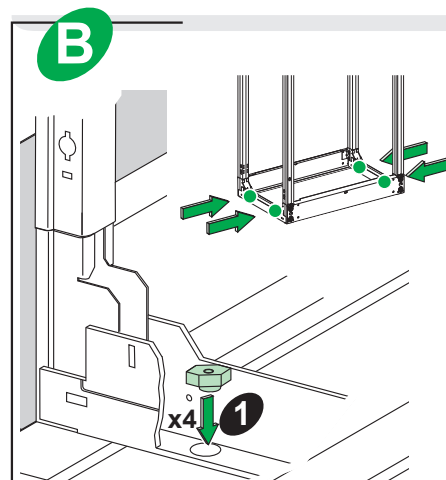
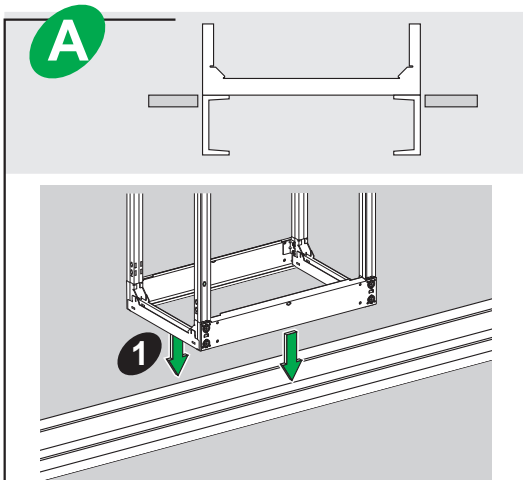
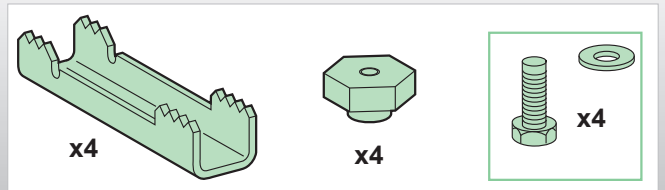
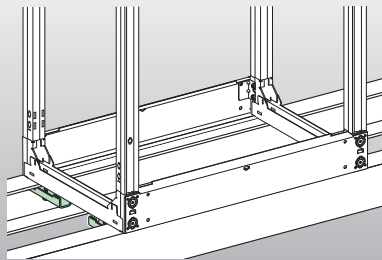




PrismaSeT P



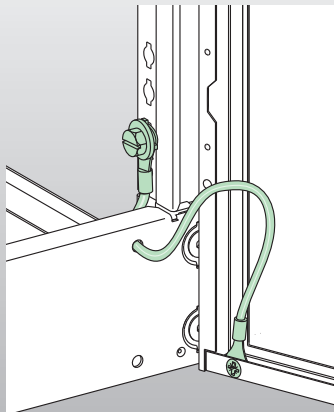
LVS08703



# PrismaSet P



LVS08910  
LVS08911



**LVS08910**

- M4
- M4
- Ø4
- M5
- Ø5
- M6
- M6
- M6

**LVS08911**

- M4
- M4
- Ø4
- M5
- Ø5
- M6
- M6
- M6

**i** LVS08911

**A**

IP30 IP55

1 2 3 4

**B** LVS08911

IP30 IP55

M4 M5

**A'** LVS08910

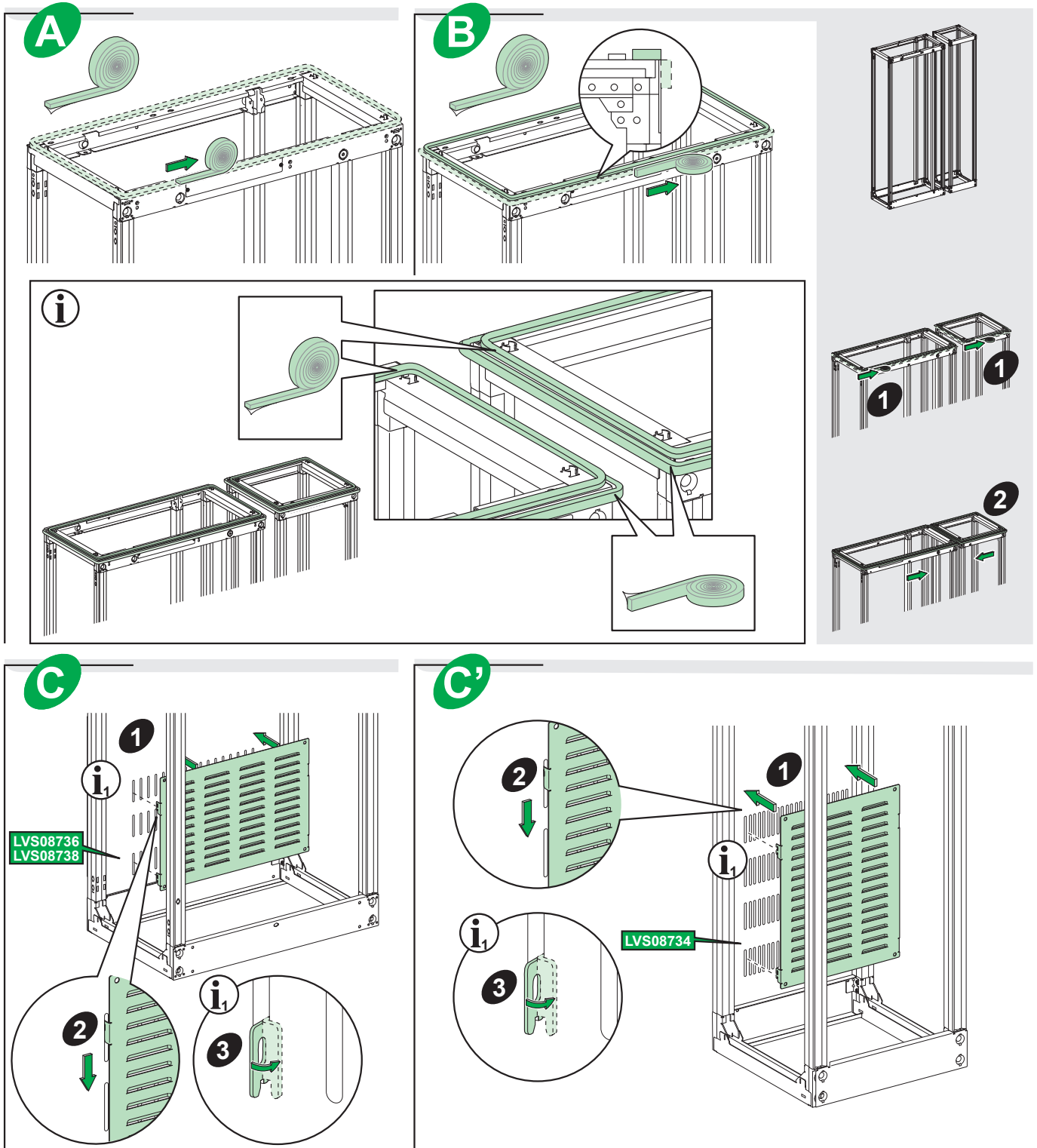
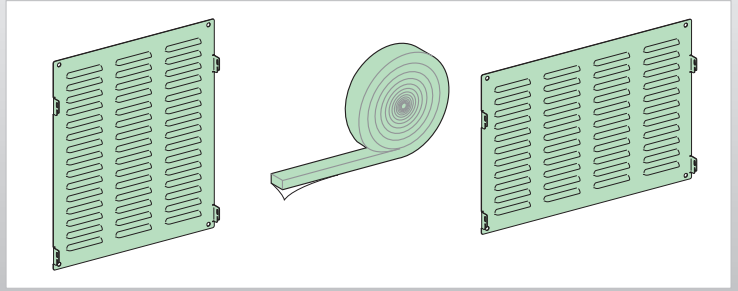
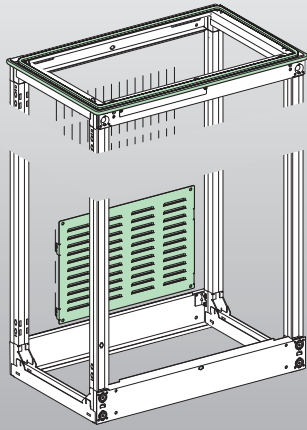
M5

LVS08564  
LVS08566

# PrismaSeT P



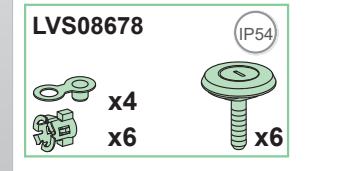
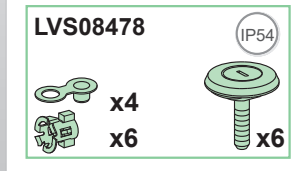
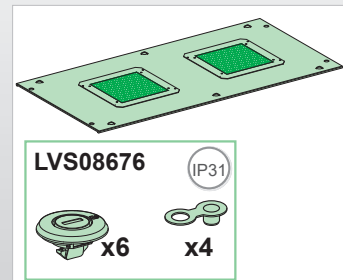
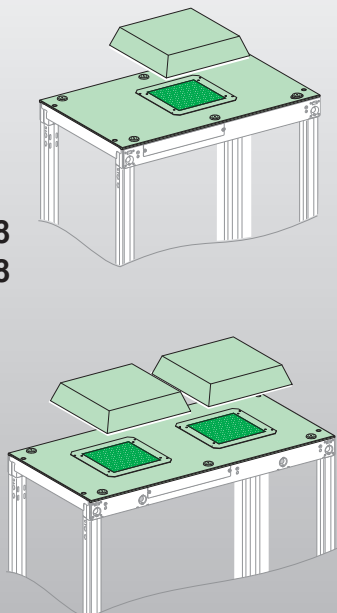
LVS08711



# PrismaSeT P



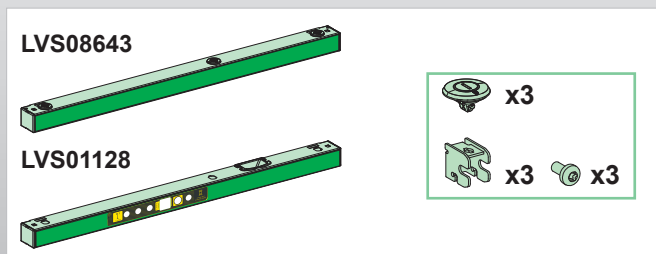
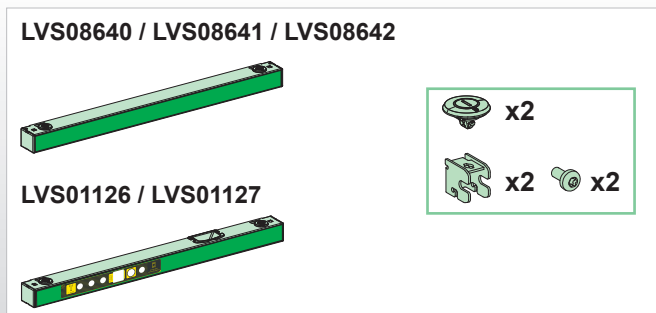
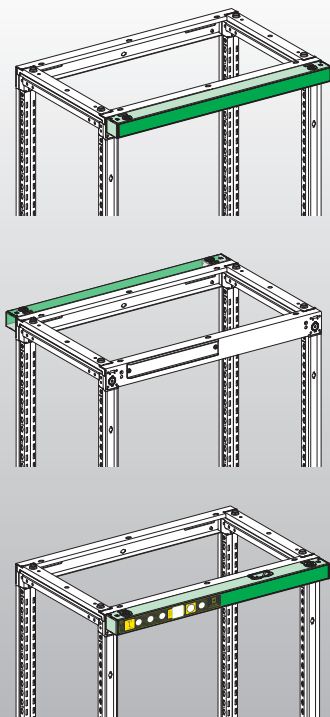
LVS08476 / LVS08478  
 LVS08676 / LVS08678  
 NSYCVF575M230MB  
 NSYCAC228RMB



# PrismaSeT P



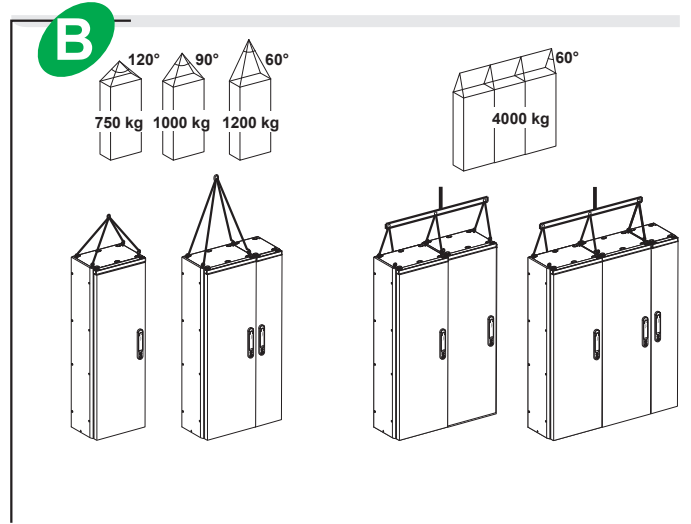
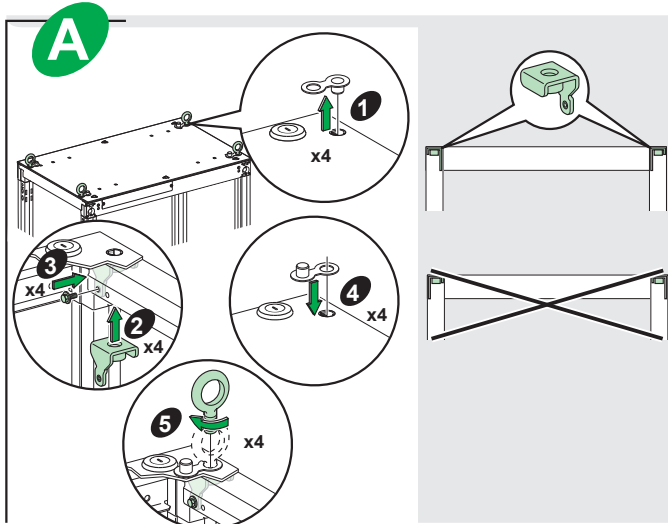
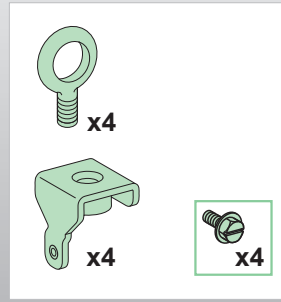
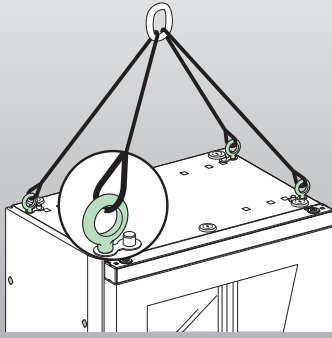
LVS01126 / LVS01127  
 LVS01128 / LVS08640  
 LVS08641 / LVS08642  
 LVS08643



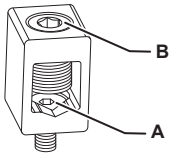
# PrismaSeT P



LVS08700



## Lineryg BS

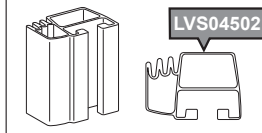


	A	B	A → N.m	B → N.m
LVS07051	15 x 5 M6	16-70 mm <sup>2</sup> M12	10	14
LVS07052	20 x 5 M10	16-185 mm <sup>2</sup> M20	50	36
LVS07053	32 x 5 M12	70-300 mm <sup>2</sup> M24	60	50

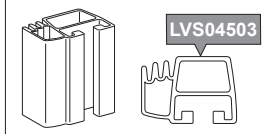
## Lineryg LGY



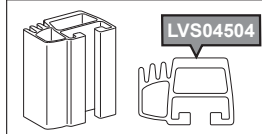
**630 A**



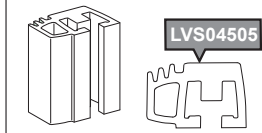
**800 A**



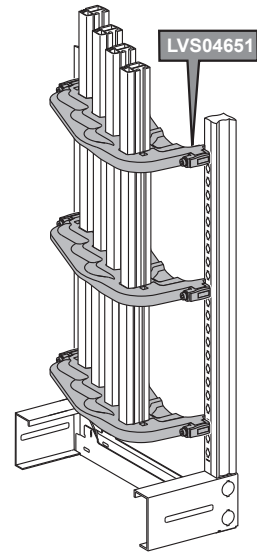
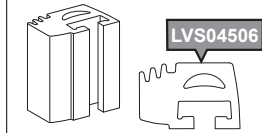
**1000 A**



**1250 A**



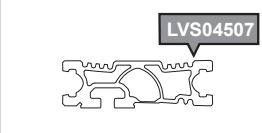
**1600 A**



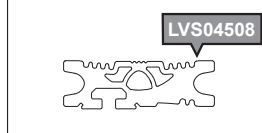
## Lineryg LGYE



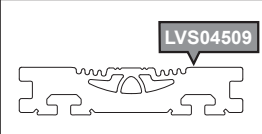
**2000 A**



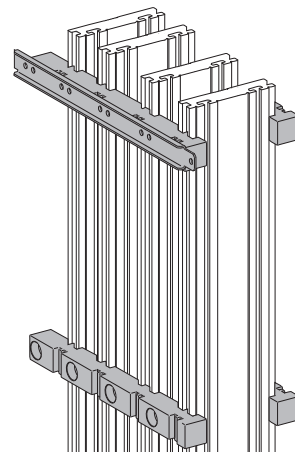
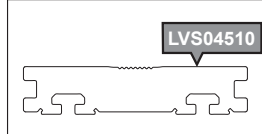
**2500 A**



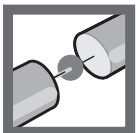
**3200 A**



**4000 A**



## Lineryg FC



**3P LVS04403**

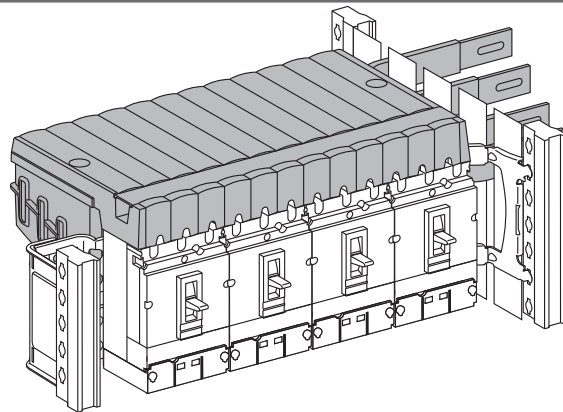
**4P LVS04404**

**3P LVS04405**

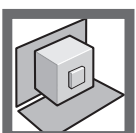
**4P LVS04406**

**3P LVS04407**

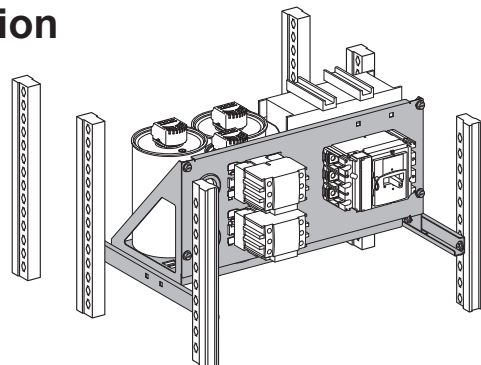
**4P LVS04408**



## PrismaSeT P / Power factor correction

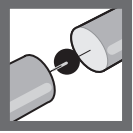


**LVS03979**





## PrismaSeT P / Canalis



**1600 A 3P LVS04715**

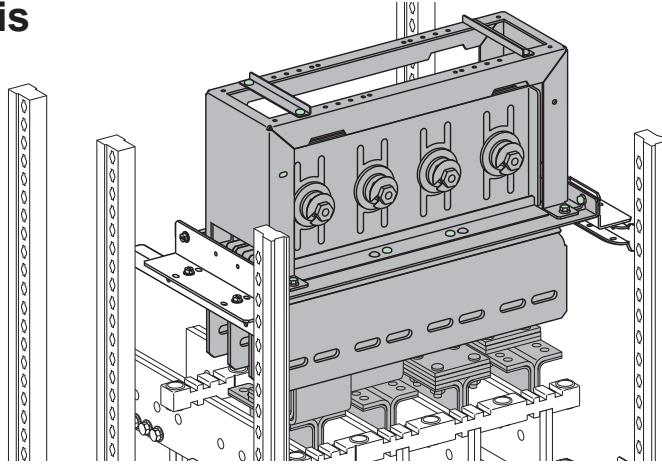
**1600 A 4P LVS04716**

**2500 A 3P LVS04725**

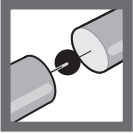
**2500 A 3P LVS04726**

**3200 A 3P LVS04735**

**3200 A 3P LVS04736**



## Linergy FM

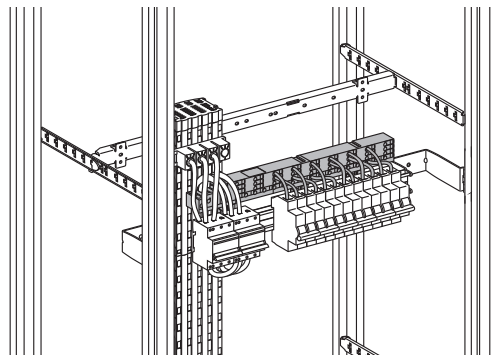


**63 A LVS04008**

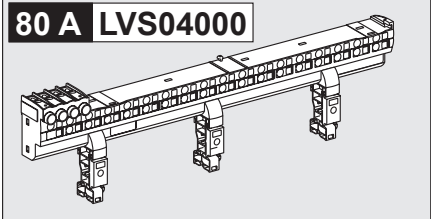
**200 A LVS04012**

**200 A LVS04013**

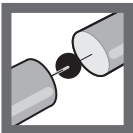
**160 A LVS04018**



**80 A LVS04000**

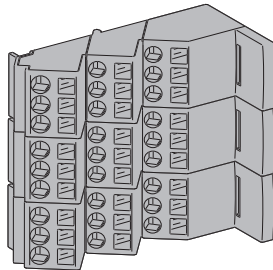


## Linergy DP



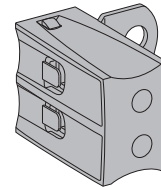
**250 A LVS04033**

**250 A LVS04034**



**250 A LVS04155**

**250 A LVS04156**



## Linergy BW



**125 A**

**LVS04103**

**LVS04104**

**LVS04107**

**LVS04108**

**160 A**

**LVS04111**

**LVS04116**

**LVS04121**

**LVS04126**

**250 A**

**LVS04112**

**LVS04117**

**LVS04122**

**LVS04127**

**400 A**

**LVS04113**

**LVS04118**

**LVS04123**

**LVS04128**

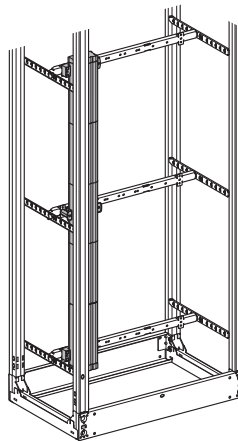
**630 A**

**LVS04114**

**LVS04119**

**LVS04124**

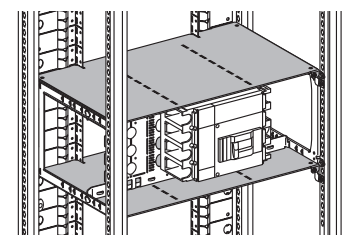
**LVS04129**



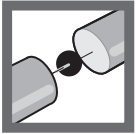
## PrismaSeT P



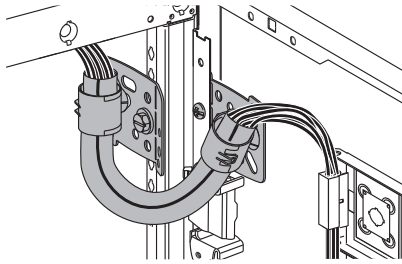
**LVS04901**



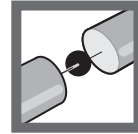
## PrismaSeT P



LVS04235

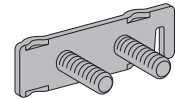
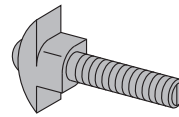


## Linergy LGY / LGYE



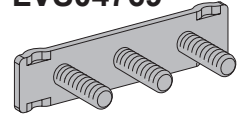
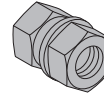
LVS04766

LVS04768

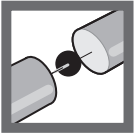


LVS04759

LVS04769

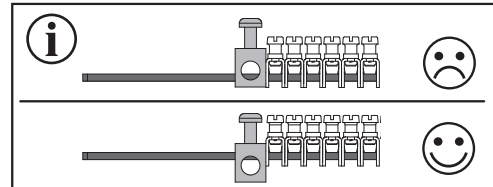
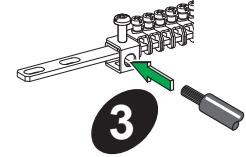
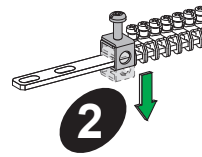
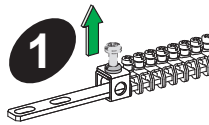
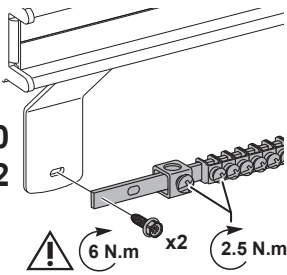


## Linergy TB



LVS04200

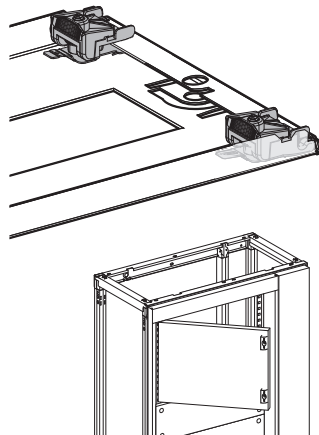
LVS04202



## PrismaSeT P



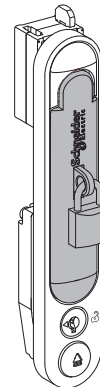
LVS08585



## PrismaSeT P



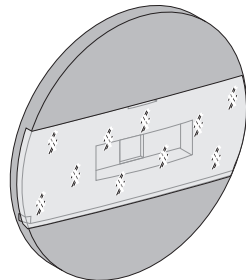
LVS07938



## PrismaSeT P



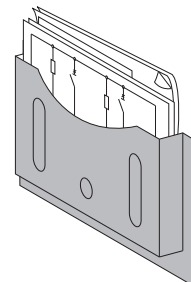
LVS08900



## PrismaSeT P



LVS08963



Schneider Electric Industries SAS  
35, rue Joseph Monier  
92500 Rueil-Malmaison  
France

www.se.com

En raison de l'évolution des normes et du matériel, les caractéristiques indiquées par le texte et les images de ce document ne nous engageant qu'après confirmation par nos services.

As standards, specifications and designs change from time to time, please ask for confirmation of the information given in this publication.

Publication : Schneider Electric  
Réalisation :  
Impression :  
page dimension : 210 x 297 mm



Ce document a été imprimé sur du papier écologique.

This document has been printed on ecological paper.

Schneider Electric Limited  
Stafford Park 5  
Telford, TF3 3BL  
United Kingdom  
www.se.com/uk

UK  
CA