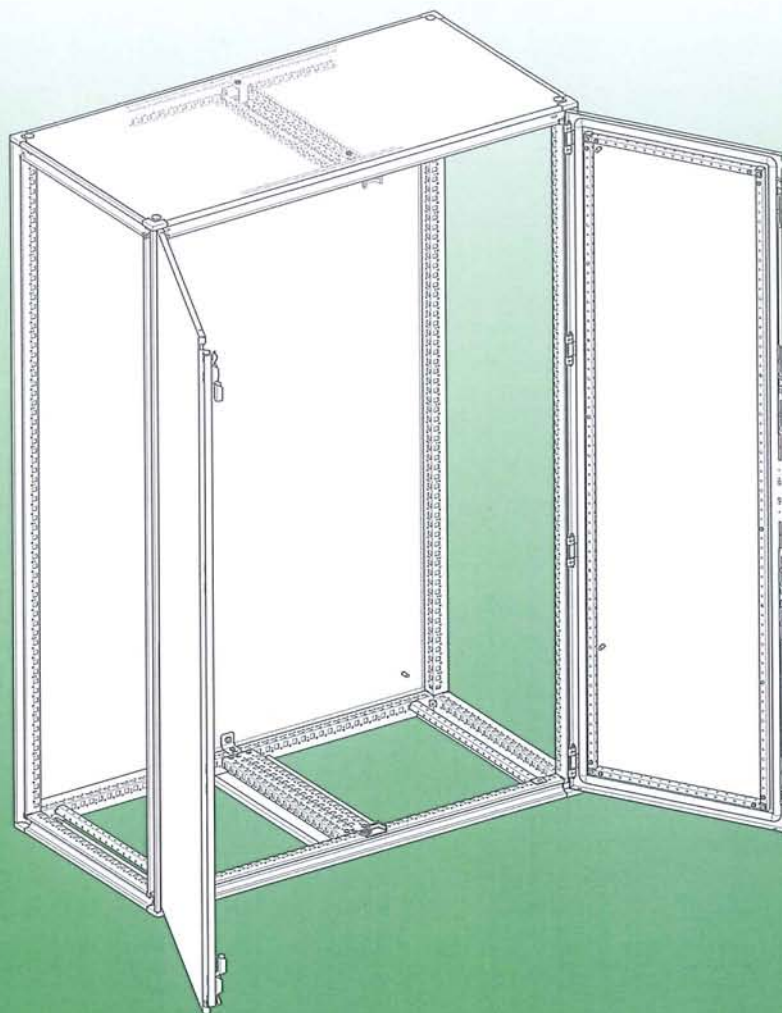


Kit for Adapting 2 Door Enclosures
Kit Adaptation de Cellules à 2 Portes
Kit Adaptación de Armarios 2 puertas



type 1
M6 / T30
3 Nm
26,55 lb-in

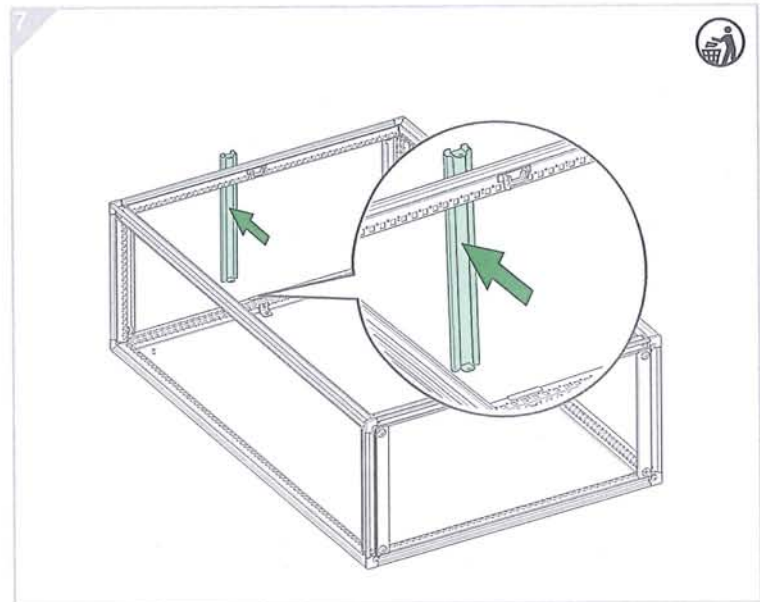
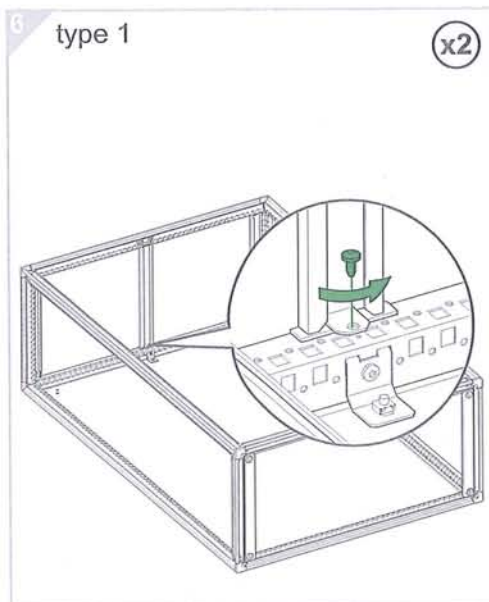
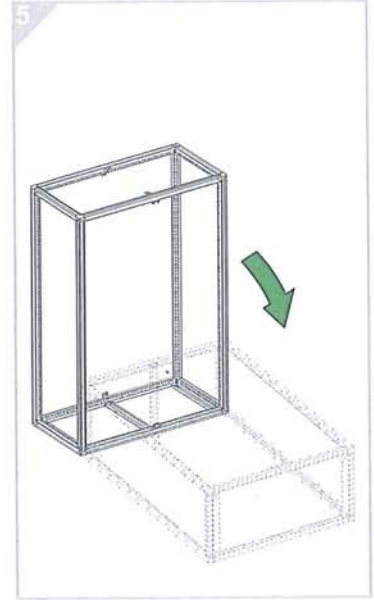
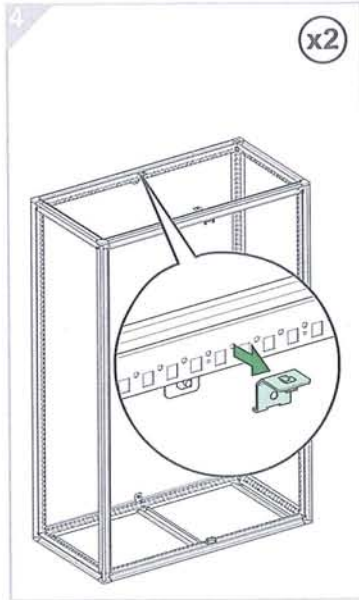
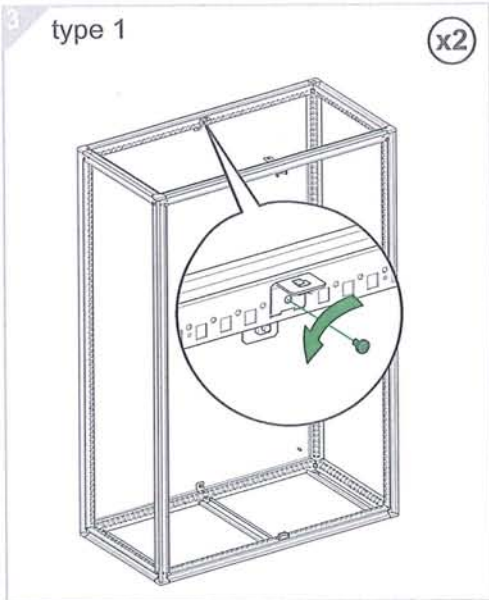
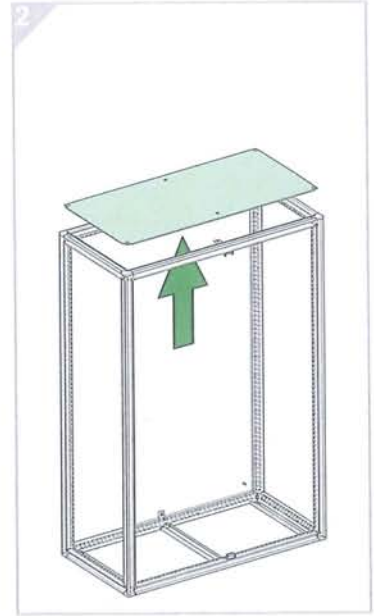
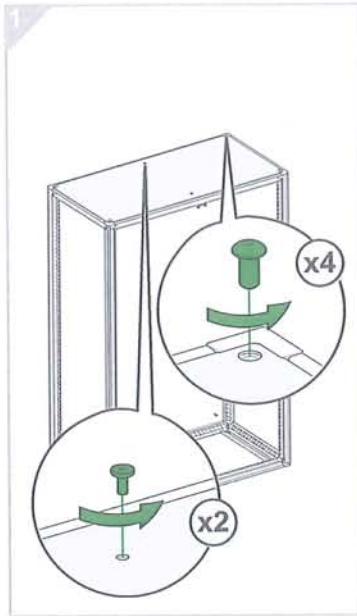
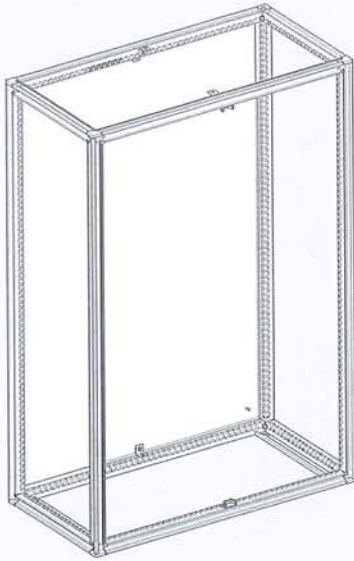


type 2
M8
3 Nm
26,55 lb-in

Schneider
Electric

Released for Manufacturing
Printed on 2013/04/16

A



B

