

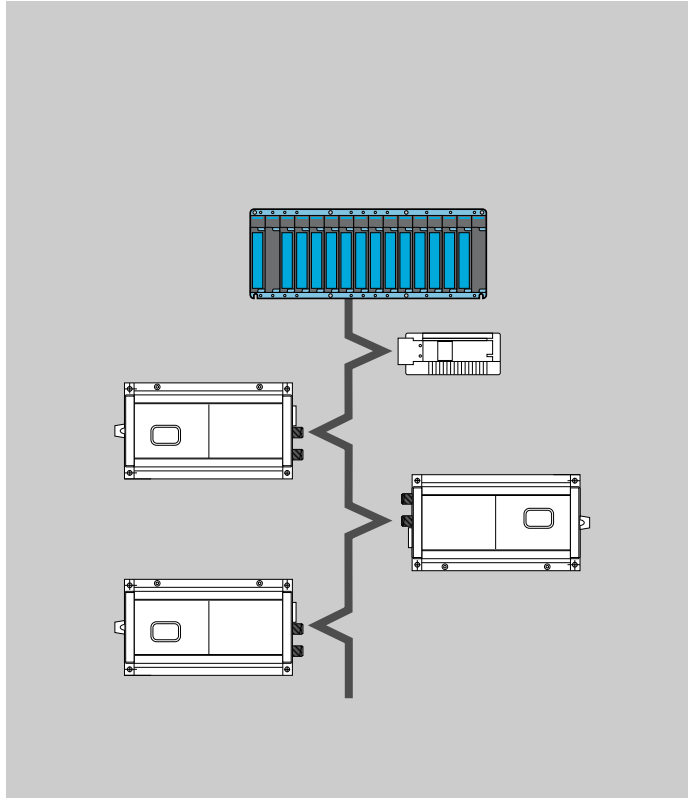
Telemecanique

Inductel[®] XG

Communication card, Modbus Plus protocol /
Carte de communication, Protocole Modbus Plus

User's Guide / Guide d'utilisateur

01 / 2004



Although every care has been taken in the preparation of this document, Schneider Electric SA cannot guarantee the contents and cannot be held responsible for any errors it may contain nor for any damage which may result from its use or application.

The products and options described in this document may be changed or modified at any time, either from a technical point of view or in the way they are operated. Their description can in no way be considered contractual.

The products, hardware and services presented in this document may be changed or modified at any time, either from a technical point of view or in the way they are operated. Their description can in no way be contractual.

© Copyright Telemecanique 2004. All reproduction of this document is forbidden. Copying or reproduction, even partial, by whatever means, photographic, magnetic or other, as well as many other partial or total transcription able to be read by an electronic device is strictly forbidden.

Content

Chapter		Page
1	Hardware setup	3
1.1	Presentation	3
1.2	Configuration of the network option card	4
1.2.1	Layout of the card	4
1.2.2	Coding the field station address	4
1.2.3	Configuration of the control station address from 1 to 8	5
1.2.4	Enabling/disabling the card	6
1.2.5	Signaling LED	6
1.2.6	Connecting the card	6
1.3	Network structure	6
1.4	Example of a Modbus Plus network	8
2	Software setup	9
2.1	Configuration of the communication functions	9
2.1.1	Initial power-up	9
2.1.2	PEER COP configuration	9
2.2	Station and data exchange variables	10
2.3	Peer Cop	10
2.3.1	Presentation	10
2.3.2	Configuration example on QUANTUM PLC	11
2.3.3	Configuration example on PREMIUM PLC	12
2.4	Global Data	12
2.4.1	Transmission of global data	12
2.4.2	Configuration example on QUANTUM PLC	13
2.4.3	Configuration example on PREMIUM PLC	13
2.5	Message handling	14
2.5.1	Presentation of the MSTR block	14

Content

Chapter	Page	
2.5.2	Structure of MSTR blocks	15
2.5.3	MSTR read and write operation	17
3	Network performance	18
3.1	Optimizing the network	18
3.2	Register update times	19
4	Modbus Plus protocol	20
4.1	Command table (Peer Cop)	20
4.1.1	PLC → field station dialog	20
4.1.2	Description of the command table	20
4.1.3	Examples (Quantum PLC)	22
4.1.4	Error codes	24
4.2	Response table (Global Data)	25
4.2.1	Station → PLC dialog	25
4.2.2	Description of the response table	25
4.2.3	Examples	26
4.3	Programming examples	28
5	Diagnostics	29

1 Hardware setup

1.1 Presentation

The XG field station can be connected to Modbus Plus networks.

Use the following components (available in the Schneider Electric catalogs) :

- A 2.4 to 6 m drop cable :

Cable length	Reference
2.4 m	990NAD211 10
6 m	990NAD211 30

- A Modbus Plus local site tap 990NAD230 00
- A Modbus Plus trunk cable (the length depends on your installation) :

Length of cable on a reel	Reference
30.5 m	490NAA271 01
152.5 m	490NAA271 02
305 m	490NAA271 03
457 m	490NAA271 04
1525 m	490NAA271 05

As a node on a network, the XG field station can receive and respond to data messages.

This exchange of data enables your network to access certain functions in the station such as :

- Control and command
- Monitoring
- Diagnostics

It is recommended that you also refer to the following documents :

- Modicon, Modbus Plus network, Installation and planning manual 890 USE 100 01
- Modicon, Modbus protocols, Reference manual PI-MBUS-300

1 Hardware setup

ENGLISH

Read and understand this bulletin in its entirety before installing or operating Inductel XG components.

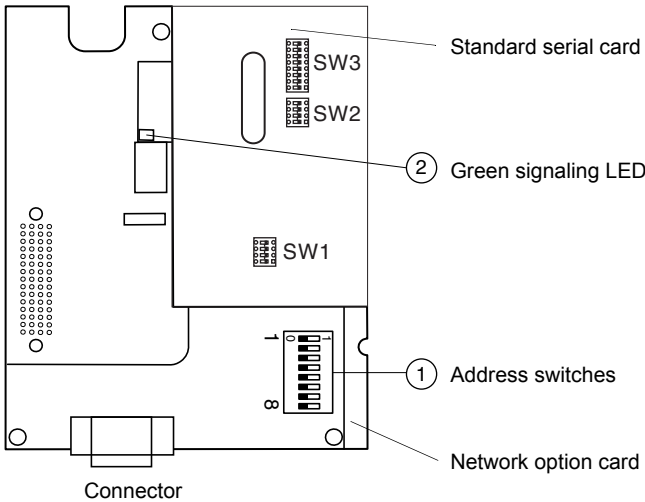
Qualified personnel must perform installation, adjustment, and maintenance of the INDUCTEL XG components.

There are no user serviceable parts within this Inductel XG component.

No responsibility is assumed by Schneider Electric for any consequence arising out of the use of this material.

1.2 Configuration of the network option card

1.2.1 Layout of the card



1.2.2 Coding the field station address

An XG field station is identified on the Modbus Plus bus by its address, which is coded from 1 to 64.

The address corresponds to the binary number given by the position (0 or 1) of the first 6 switches ① on the card, **plus 1**.

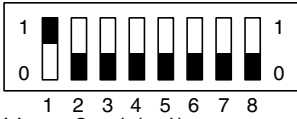
Switch 8 is not used.

Caution : The least significant bits are on the left.

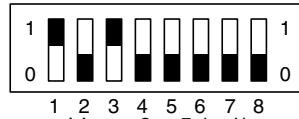
1 Hardware setup

Configuration of the network option card

Examples :



address 2 = 1 (+ 1)



address 6 = 5 (+ 1)

All switches at 0 give address 1.

The modified address will be validated when the XG field station is next switched on.

1.2.3 Configuration of the control station address from 1 to 8

NOTE



Switch SW2 is located on the standard serial card.

Functions	Micro-switch no.			Result obtained
	1	2	3	
Control station address	OFF	OFF	OFF	1
	ON	OFF	OFF	2
	OFF	ON	OFF	3
	ON	ON	OFF	4
	OFF	OFF	ON	5
	ON	OFF	ON	6
	OFF	ON	ON	7
	ON	ON	ON	8

1 Hardware setup

1.2.4 Enabling/disabling the card

NOTE



The card is enabled/disabled using micro-switch 7 on the switches ① :

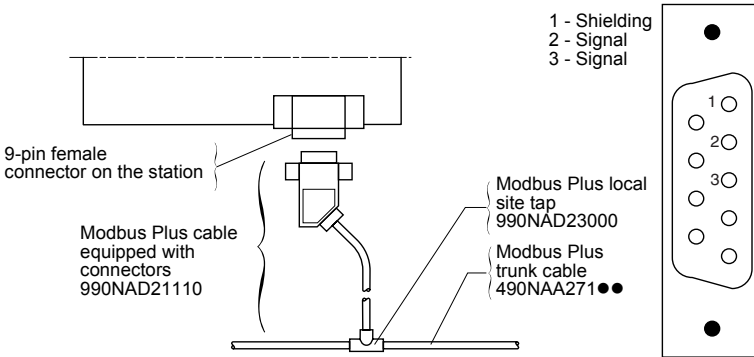
- card disabled : ON position
- card enabled : OFF position

The position of micro-switch 7 will be validated when the XG field station is next switched on.

1.2.5 Signaling LED

The Modbus Plus card has a signaling LED ② whose operation is described in section 5 - Diagnostics.

1.2.6 Connecting the card



1.3 Network structure

Modbus Plus is a local area network specially designed for industrial control applications.

Up to 32 nodes can be connected directly to the network omnibus cable, which has a maximum length of 450 m (1476.3 ft ,17716.5 in.)

Repeaters can be used to increase the length of the cable up to 1800 m (5905.5 ft ,70866.1 in.) and the number of nodes to 64.

1 Hardware setup

As a node on a Modbus Plus network, the XG field station can receive data messages from a master PLC, reply to them and store the data in the network's global database.

Other nodes can access the XG field stations on the local area network or on remote networks via bridges.

The "Modbus Plus Network Installation and Planning manual", reference 890 USE 100 01, gives a detailed description of the logical (description of the token sequence, etc) and physical (wiring, local site tap, etc) Modbus Plus network.

CAUTION

ELECTROSTATIC CHARGE

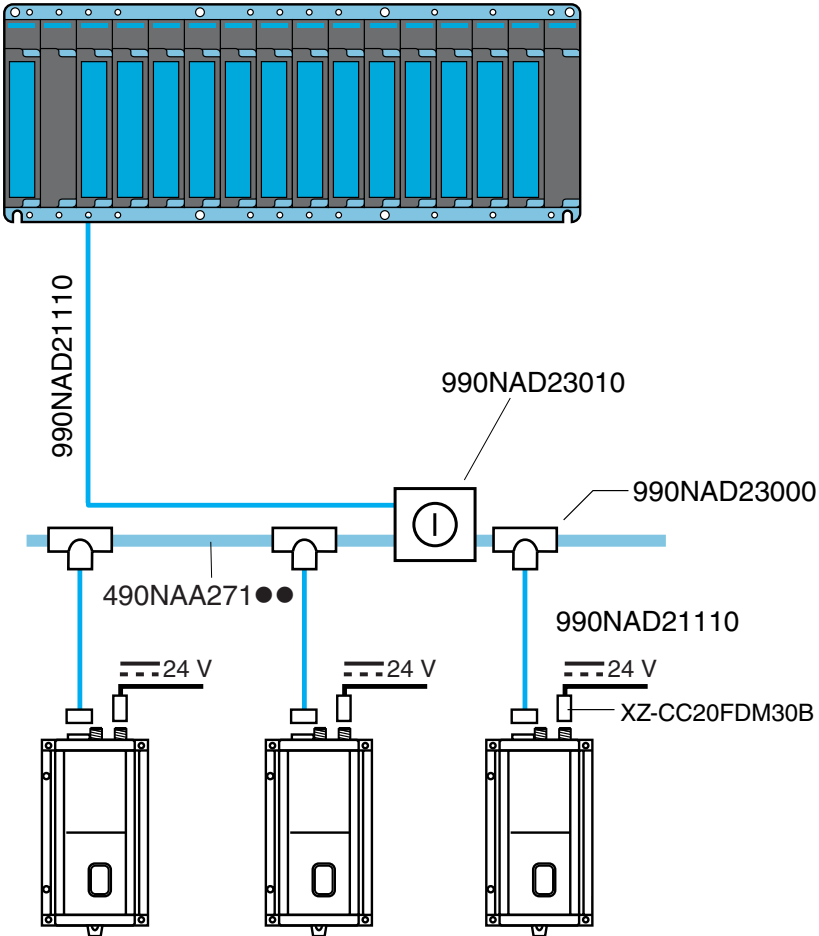
This products contains sensitive electronic components.
Set switches with unit switched off.

Failure to follow this instruction can cause equipment damage

1 Hardware setup

1.4 Example of a Modbus Plus network

ENGLISH



2 Software setup

2.1 Configuration of the communication functions

2.1.1 Initial power-up

When it is first switched on, the Modbus Plus card is automatically recognized by the XG field station.

NOTE



Micro-switch 7 of the address switches on the network option card must be set to the OFF position.

2.1.2 PEER COP configuration

Parameter	Values	Comments
Time out (1)	1.0	10 ms increment
Peer Cop node	8	Number of registers (2)
Global Tx	14	Number of registers
Control station	1 to 8	(3)

(1) : The Time out represents :

- The maximum period during which no token is received
- The maximum duration between two Peer Cop receptions
- The maximum duration which causes the loss of the semaphore for a station controlling the XG field station by message handling

(2) :

NOTE



8 Peer Cop words must be used.
(Voir § Register update times - page 19).

(3) : (Voir § Configuration of the control station address from 1 to 8 - page 5).

The configuration is stored in the EEPROM and will be validated the next time the XG field station is switched on.

2 Software setup

2.2 Station and data exchange variables

The field station can be accessed using :

- Peer Cop
- Global data
- Message exchanges

The XG field station variables and how it is controlled via the serial link are described in detail in the "Field station" user's manual.

2.3 Peer Cop

2.3.1 Presentation

Peer Cop is a fast and efficient method of sending data from a control node to the field station. There is no need to write a "LADDER" logic program.

The sending node sends Peer Cop data once per token rotation when the token is passed.

Each control node can send up to 32 words of Peer Cop data per node to given nodes in the network as long as the total does not exceed 500 words.

Note :

Peer Cop data cannot cross bridges, and can only be used on a single network segment.

NOTE



Peer Cop data which is received is mapped in 8 command words.
(Voir § Register update times - page 19)

2 Software setup

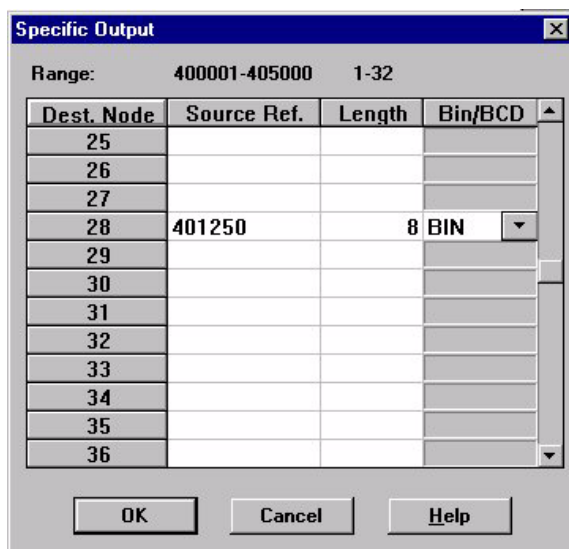
The following table gives the list of the command variables mapped on Peer Cop data :

Peer Cop command number	Address of variables	Description
1	X	Command word
2	X+1	Read / write address
3	X+2	1st word to be written
4	X+3	2nd word to be written
5	X+4	3rd word to be written
6	X+5	4th word to be written
7	X+6	5th word to be written
8	X+7	6th word to be written

2.3.2 Configuration example on QUANTUM PLC

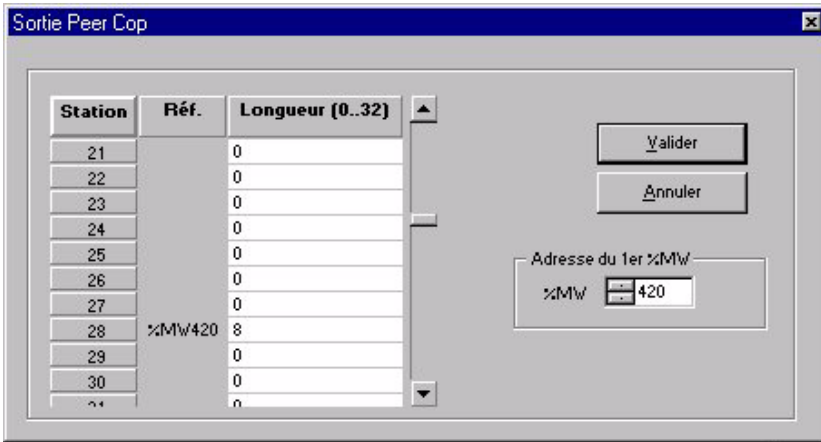
Field station at address 28

Peer Cop - Specific Output on QUANTUM PLC (8 words at address 401250).



2 Software setup

2.3.3 Configuration example on PREMIUM PLC



2.4 Global Data

2.4.1 Transmission of global data

As soon as a node has the token, it can communicate with the other nodes on the network and collect network statistics.

As soon as it releases the token, it attaches 14 global data words (on a maximum of 16 bits) to the token frame.

This data packet is seen by all the nodes on the network, and all those programmed to do so can extract the data and save it in their global databases.

For a Modbus Plus network with up to 64 nodes, the global database can contain up to 896 16-bit words (14 words per node).

The global data cannot be shared by networks because the token cannot cross a bridge.

If a global data transmission is enabled for the XG field station, the 14 words in the response zone can be broadcast on the network in the form of global data each time the token rotates.

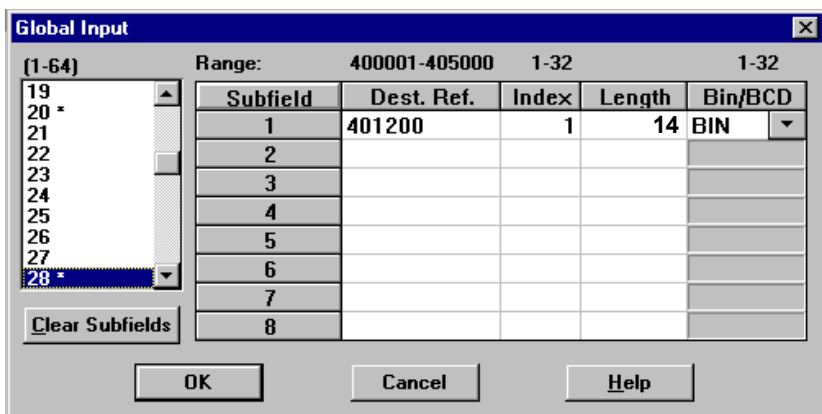
The global data contains the response of the XG field station to commands from the PLC.

2 Software setup

2.4.2 Configuration example on QUANTUM PLC

Field station at address 28

Global Input on QUANTUM PLC (14 words at address 401200).



2.4.3 Configuration example on PREMIUM PLC

```
(*=====*)  
(* XGKS MODBUS + PROTOCOL *)  
(*=====*)
```

```
(* READ THE GLOBAL DATA *)
```

```
IF NOT %MW460:X0 THEN
```

```
    READ_GDATA(ADR#0.1.28,%MW300:14,%MW460:4);
```

```
    END_IF;
```

2 Software setup

2.5 Message handling

This is a method of peer-to-peer communication between networked devices. There is a series of requests-responses.

The initiating device sends a request to a given node and receives a response.

When messages are sent on a Modbus Plus network, the polled node must send an acknowledgment immediately.

As soon as it has the token, the polled node can send all the data requested to the initiating node.

Other peripherals on the network can write to the command variables as long as they are not in Peer Cop mode.

Other nodes can only use message handling to write to variables configured in Peer Cop mode if the Peer Cop Time out has elapsed.

If a write message to variables in Peer Cop mode is received, it is refused and a negative acknowledgment is returned.

2.5.1 Presentation of the MSTR block

PLCs which support Modbus Plus communications have a special MSTR (master) instruction by which the nodes on the network can initiate message transactions.

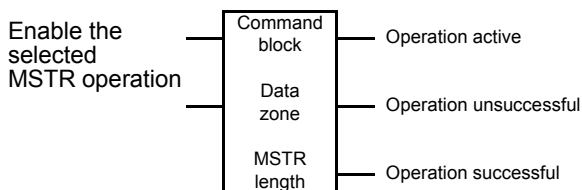
The MSTR function is used to perform one of nine communication operations which can be carried out on the Modbus Plus network.

Each of these is designated by a code :

MSTR operation	Code
Write data	1
Read data	2
Obtain local statistics	3
Write to the global database	5
Read from the global database	6
Obtain statistics remotely	7
Delete statistics remotely	8
Peer Cop health	9

2 Software setup

2.5.2 Structure of MSTR blocks



Inputs

MSTR has two control points :

- Upper node input - in ACTIVE state, enables the instruction
- Middle node input - in ACTIVE state, ends the current operation

Outputs

MSTR can send three possible outputs :

- Upper node output - copies the state of the upper input (it changes to ACTIVE state when the instruction is active)
- Middle node output - copies the state of the middle input (it changes to ACTIVE state if the MSTR operation is interrupted before the end)
- Lower node output - changes to ACTIVE state when a MSTR operation has been successfully completed

2 Software setup

Content of the upper node

The 4x register entered in the upper node is the first of the nine contiguous storage registers containing the command block :

Registers	Content
Displayed	Identified one of the nine MSTR operations
1st implied	Displays the error status
2nd implied	Displays the length
3rd implied	Displays the data which is dependent on the MSTR operation
4th implied	Routing register 1 designating the address of the destination node for a message transaction in the network
5th implied	Routing register 2
6th implied	Routing register 3
7th implied	Routing register 4
8th implied	Routing register 5

Note :

It is essential that the user understands the Modbus Plus routing procedures before programming a MSTR instruction.

For a comprehensive presentation, please see the Modicon Modbus Plus network installation and planning manual.

Content of the middle node

The 4x register entered in the middle node is the first of a group of contiguous storage registers containing the data zone.

The data zone is a source of data for operations which provide data to the communication processor - for example the write operation.

The data zone constitutes the destination for data for operations designed to obtain data from the communication processor - for example the read operation.

Content of the lower noder

The integer entered in the lower node defines the length - the maximum number of registers - in the data zone. **It can range from 1 to 60.**

2 Software setup

2.5.3 MSTR read and write operation

A MSTR write operation is used to transfer data from a control device to an XG field station in the network, while a MSTR read operation performs the opposite.

Command block

The registers in the MSTR command block (upper node) contain the following data in a read or write operation :

Variables	Functions	Content
Displayed	Type of operation	1 = Write; 2 = Read
1st implied	Error status	Display of a hexadecimal value indicating any MSTR error
2nd implied	Length	Write = number of variables to be sent to the slave Read = number of variables to be read from the slave
3rd implied	Slave data zone	Definition of the start register in the slave where the read or write operation is to be performed (1)
4th to 8th implied	Routing 1 to 5	Designation of the 1st to the 5th routing address. The last non-zero byte in the routing path is the transaction device

(1):

CAUTION

IMPROPER ADDRESSING

There is a shift of 1 in the address
To access and address, increase the address by 1.
For example, to access address 450, address 451 must be given.

Failure to follow this instruction can cause equipment misoperation.

3 Network performance

3.1 Optimizing the network

The network performance can be optimized by taking the following points into account during its design and installation :

1. When structuring data exchange conditions for a network, the communication speed necessary for the correct use of the application must be taken into account.

Adopt the communication method which is most suitable for the data exchange speed requirements.

Only communicate data if this is required by the application. Reduce the traffic on the network as much as possible at the design stage.

For example, when controlling a simple process which only requires control functions which are in the first command registers provided via Peer Cop, set up Peer Cop to send the content of these registers only.

This reduces the traffic on the network while maintaining optimum overall speed on the network.

2. For better network security, keep XG field stations and their associated control equipment on the same local area network.

As far as possible, reduce or remove the need for XG field station commands to cross network bridges.

3. When transmitting data messages, maintain the command semaphore implicitly by sending messages within the specified Time Out period.

The use of semaphore provides one command at a single point on complex networks and avoids any accidental sending of messages by devices which have been incorrectly programmed.

4. The NTO function is designed to be used during troubleshooting and startup operations.

Do not use this function during normal network operation.

5. Understand the possible failures of the network as it has been designed. Make provision for any redundant commands and the hazards of the planned application.

3 Network performance

6.

CAUTION

LOSS OF NETWORK SECURITY & SPEED

Follow wiring recommendations in section 1.
Verify wiring.
Incorrect wiring can lead to interference and intermittent data.

Failure to follow this instruction can cause equipment misoperation.

3.2 Register update times

The maximum update times for variables when processing 8 Peer Cop data items and transferring 14 global data items are as follows :

- Processing Peer Cop data consisting of 8 variables : 138 ms
- Global data update period, 14 variables : 15 ms

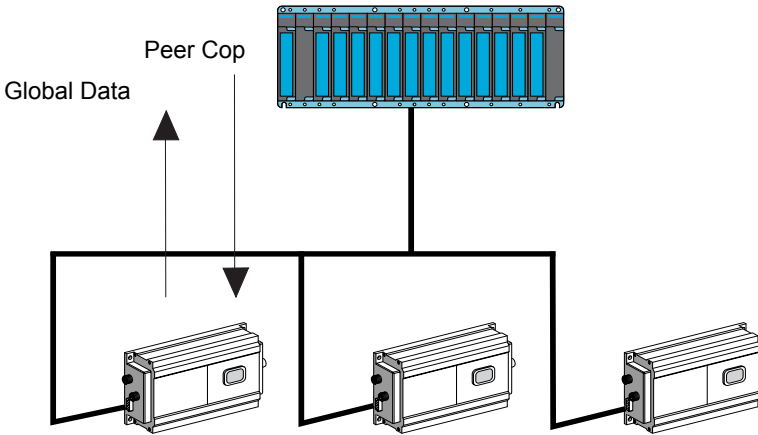
The global data update times refer to the times taken by the field station to update the data available to the network, excluding the time taken to send the global data on the network.

4 Modbus Plus protocol

4.1 Command table (Peer Cop)

4.1.1 PLC → field station dialog

The PLC and the field station communicate using commands transmitted by the command table (Peer Cop). The field station responds in the (Global Data) table.



4.1.2 Description of the command table

The following table shows how the registers are assigned in the PLC :

Peer Cop command number	Register	Description
1	x	Command word
2	x +1	Read / write address
3	x +2	1st word to be written
4	x +3	2nd word to be written
5	x +4	3rd word to be written
6	x +5	4th word to be written
7	x +6	5th word to be written
8	x +7	6th word to be written

4 Modbus Plus protocol

Command table (Peer Cop)

Peer Cop	15	14	13	12	11	10	9	8	7	6	5	4	3	2	1	0
x	Operation				Code				Number of words							
	1	0	0	0	0	0	0	1	0	0	0	0	0	1	1	1
	8				1				0				7			

Bit 15 of word x (Peer Cop) is used to select two functions for word x.

- If this bit = 0, word x does not contain any command.
- If this bit = 1, word x is divided into three zones containing :

Zone : Operation : Bits 12, 13, 14 are used for optional numbering of the operation. (Each change of state of one of these bits triggers the execution of the command)

Zone : Code :

- 16#0 : request to read without wait (1 to 13 words max)
- 16#1 : request to read with wait for tag (1 to 13 words max)
- 16#2 : request to write without wait (1 to 6 words max)
- 16#3 : request to write with wait for tag (1 to 6 words max)

NOTE



Each change of state of one of bits 8 to 15 triggers the execution of the command.

Zone : Number of words : the number of words to be written (1 to 6) or read (1 to 13)

4 Modbus Plus protocol

Command table (Peer Cop)

4.1.3 Examples (Quantum PLC)

Request to write 2 words starting at address 3 with the values 16#1256, 16#5897. Bits 12 to 14 give a command number (optional) : here it is 3. The request is at Peer Cop address 401250. The response is at Global Data address 401200.

- Request :

Peer Cop	15	14	13	12	11	10	9	8	7	6	5	4	3	2	1	0
x (401250)	Operation				Code				Number of words							
	1	0	1	1	0	0	1	0	0	0	0	0	0	0	1	0
	B				2				0				2			
x+1 (401251)	Address of the 1st word to be written															
	0	0	0	0	0	0	0	0	0	0	0	0	0	0	1	1
	0				0				0				3			
x+2 (401252)	1st data item to be written															
	0	0	0	1	0	0	1	0	0	1	0	1	0	1	1	0
	1				2				5				6			
x+3 (401253)	2nd data item to be written															
	0	1	0	1	1	0	0	0	1	0	0	1	0	1	1	1
	5				8				9				7			

- Response if the write operation has been executed correctly

Global Data	15	14	13	12	11	10	9	8	7	6	5	4	3	2	1	0
x (401200)	Operation				Code				Length							
	0	0	1	1	0	0	1	0	0	0	0	0	0	0	1	0
	3				2				0				2			

- Response if the write operation has not been executed correctly

Global Data	15	14	13	12	11	10	9	8	7	6	5	4	3	2	1	0
x (401200)	Operation				Code				Fault (1)							
	0	0	1	1	0	0	1	0	1	0	0	1	0	0	1	0
	3				2				9				2			

(1) : See section 4.1.4 Error codes - page 24

4 Modbus Plus protocol

Command table (Peer Cop)

Request to read 4 words starting at address 100 (16#64), with wait for tag. Bits 12 to 14 give a command number (optional) : here it is 2. The request is at Peer Cop address 401250. The response is at Global Data address 401200.

- Request :

Peer Cop	15	14	13	12	11	10	9	8	7	6	5	4	3	2	1	0
x (401250)	Operation				Code				Number of words							
	1	0	1	0	0	0	0	1	0	0	0	0	0	1	0	0
	A				1				0				4			
x+1 (401251)	Address															
	0	0	0	0	0	0	0	0	0	0	1	1	0	0	1	0
	0				0				6				4			

- Response if the read operation has been executed correctly :

Global Data	15	14	13	12	11	10	9	8	7	6	5	4	3	2	1	0
x (401200)	Operation				Code				Length							
	0	0	1	0	0	0	0	1	0	0	0	0	0	1	0	0
	2				1				0				4			
x+1 (401201)	Value of the 1st word read															
	0	0	0	0	0	1	0	1	0	0	0	0	0	0	1	1
	0				5				0				3			
x+2 (401202)	Value of the 2nd word read															
	0	0	1	1	0	0	0	0	0	0	0	1	0	0	0	0
	3				0				1				0			
x+3 (401203)	Value of the 3rd word read															
	0	0	0	1	0	0	1	0	0	1	0	1	0	1	1	0
	1				2				5				6			
x+4 (401204)	Value of the 4th word read															
	0	1	0	1	1	0	0	0	1	0	0	1	0	1	1	1
	5				8				9				7			

- Response if the read operation has not been correctly executed

Global Data	15	14	13	12	11	10	9	8	7	6	5	4	3	2	1	0
x (401200)	Operation				Code				Fault (1)							
	0	0	1	0	0	0	0	1	1	0	0	1	0	0	1	0
	2				1				9				2			

(1) : See section 4.1.4 Error codes - page 24

4 Modbus Plus protocol

Command table (Peer Cop)

Tag present read request

The request is at Peer Cop address 401250.

The response is at Global Data address 401200.

- Request :

Peer Cop	15	14	13	12	11	10	9	8	7	6	5	4	3	2	1	0
x (401250)	Operation				Code				Number of words							
	0	0	0	0	0	0	0	0	0	0	0	0	0	0	0	0
	0				0				0				0			

- Response if the tag is present :

Global Data	15	14	13	12	11	10	9	8	7	6	5	4	3	2	1	0
x (401200)	Operation				Code				Length							
	1	0	0	0	0	0	0	0	0	0	0	0	0	0	1	1
	8				0				0				3			

- Response if the tag is not present :

Global Data	15	14	13	12	11	10	9	8	7	6	5	4	3	2	1	0
x (401200)	Operation				Code				Length							
	1	0	0	0	0	0	0	0	0	0	0	0	0	0	0	0
	8				0				0				0			

4.1.4 Error codes

The various dialog errors between the station and the tag are :

16#92 : Incorrect address

16#95 : Dialog fault between the standard serial card and the command from the antenna

16#97 : Interruption by a direct command

16#9C: Antenna fault

16#9D: Tag not compatible

16#9E: Tag corrupted

16#9F : Time out fault (tag exited lobe before the end of the exchange) or

Fault on number of attempts (exchange fault with the tag)

4 Modbus Plus protocol

4.2 Response table (Global Data)

4.2.1 Station → PLC dialog

The response of the station to the PLC commands is stored in the response table (Global Data).

4.2.2 Description of the response table

Peer Cop	15	14	13	12	11	10	9	8	7	6	5	4	3	2	1	0	
x	Operation				Code				Number of words								
	1	0	0	0	0	0	0	1	0	0	0	0	0	0	1	1	1
	8				1				0				7				

Bit 15 of the 1st word (x) in the command table (Peer Cop) is used to select two functions for the 1st word (x) in the response table (Global Data).

Global Data	15	14	13	12	11	10	9	8	7	6	5	4	3	2	1	0	
x	Operation				Code				Length								
	1	0	0	0	0	0	0	0	0	0	0	0	0	0	0	0	0
	8				0				0				0				

- If bit 15 = 1, the 1st word (x) in the response table (Global Data) contains the station status word.

Example : Word 401200 when the tag is present in front of the station and dialog is possible.

Global Data	15	14	13	12	11	10	9	8	7	6	5	4	3	2	1	0
x (401200)	Operation				Code				Status							
	1	0	0	0	0	0	0	0	0	0	0	0	0	0	1	1
	8				0				0				3			

- If bit 15 = 0, the 1st word (x) in the response table (Global Data) is divided into three zones containing :

Operation zone :

If Bit 15 of word (x) in the response table = 1 : Read status function.

If Bit 15 of word (x) in the response table = 0 : Response to a command.

Bits 12, 13, 14 are used for optional numbering of the operation.

4 Modbus Plus protocol

Response table (Global Data)

Code zone :

- 16#0 : response to a request to read without wait (1 to 13 words)
- 16#1 : response to a request to read with wait for tag (1 to 13 words)
- 16#2 : response to a request to write without wait (1 to 6 words)
- 16#3 : response to a request to write with wait for tag (1 to 6 words)

Length zone : the number of words read (1 to 13) or written (1 to 6).

Note

If the bit 7 = 1, the value read in bits 0 to 6 represents an error number.

The response is validated if there is a value in bits 0 to 7.

4.2.3 Examples

Response to a request to read 2 words at address 27 on the tag and wait (operation no. 2)

The request is at Peer Cop address 401250.

The response is at Global Data address 401200.

• Request :

Peer Cop	15	14	13	12	11	10	9	8	7	6	5	4	3	2	1	0
x (401250)	Operation				Code				Number of words							
	1	0	1	0	0	0	0	1	0	0	0	0	0	0	1	0
	A				1				0				2			
x+1 (401251)	Address															
	0	0	0	0	0	0	0	0	0	0	0	1	1	0	1	1
	0				0				1				B			

• Response :

Global Data	15	14	13	12	11	10	9	8	7	6	5	4	3	2	1	0
x (401200)	Operation				Code				Length							
	0	0	1	0	0	0	0	1	0	0	0	0	0	0	1	0
	2				1				0				2			
x+1 (401201)	1st word read															
	0	0	1	0	0	0	0	1	0	0	0	0	0	1	0	0
	2				1				0				4			
x+2 (401202)	2nd word read															
	0	0	1	1	0	0	0	1	0	0	0	0	1	0	1	1
	3				1				0				B			

4 Modbus Plus protocol

Response table (Global Data)

Request to read 8 words without wait.
The request is at Peer Cop address 401250.
The response is at Global Data address 401200.

- Request :

Peer Cop	15	14	13	12	11	10	9	8	7	6	5	4	3	2	1	0
x (401250)	Operation				Code				Number of words							
	1	0	0	0	0	0	0	0	0	0	0	0	1	0	0	0
	8				0				0				8			

- Response if the tag is not present

Global Data	15	14	13	12	11	10	9	8	7	6	5	4	3	2	1	0
x (401200)	Operation				Code				Length							
	0	0	0	0	0	0	0	0	1	0	0	1	1	1	1	1
	0				0				9				F			

Request to write 12 words without wait.
The request is at Peer Cop address 401250.
The response is at Global Data address 401200.

- Request :

Peer Cop	15	14	13	12	11	10	9	8	7	6	5	4	3	2	1	0
x (401250)	Operation				Code				Number of words							
	1	0	0	0	0	0	1	0	0	0	0	0	1	1	0	0
	8				2				0				C			

- Response if the tag is not present

Global Data	15	14	13	12	11	10	9	8	7	6	5	4	3	2	1	0
x (401200)	Operation				Code				Length							
	0	0	0	0	0	0	1	0	1	0	0	1	1	1	1	1
	0				2				9				F			

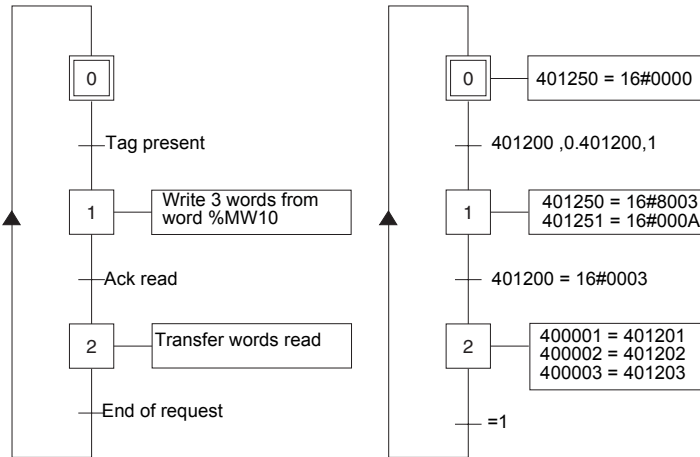
4 Modbus Plus protocol

4.3 Programming examples

Read 3 words starting at word %MW10 in the tag and store them in words 400001 to 400003.

The request is at Peer Cop address 401250.

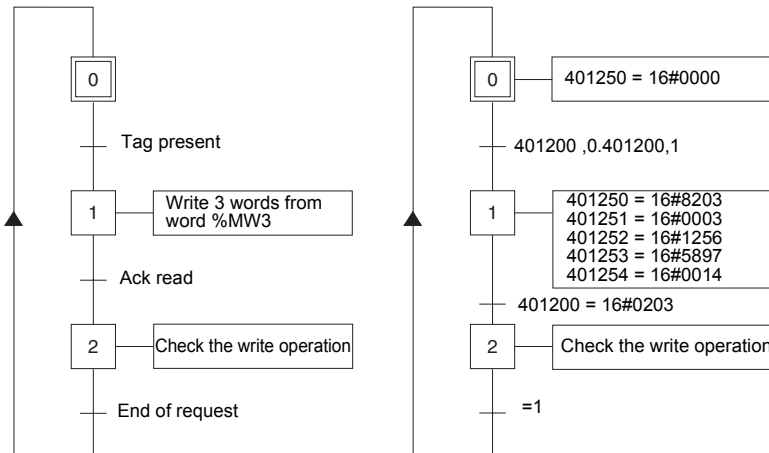
The response is at Global Data address 401200



Write 3 words starting at word %MW3 in the tag.

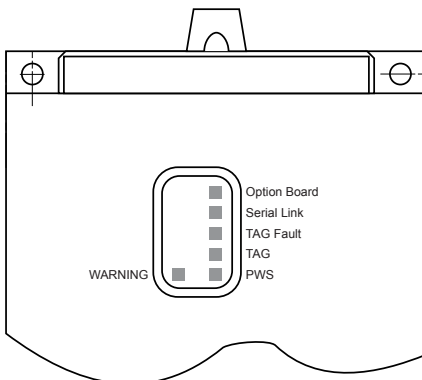
The request is at Peer Cop address 401250.

The response is at Global Data address 401200



5 Diagnostics

The Modbus Plus network option card has 1 LED which can be seen through the window on the cover of the XG field station :



The status of the Modbus Plus communication link is indicated by the green LED.

The following table gives the meanings of the various states :

LED state	Meaning
Off	Card deactivated : Switch 7 is set to ON. ILF fault : Communication problem on the CAN link.
1 flash/second	MONITOR LINK : As soon as the card is switched on or after exiting the "4 flashes/s" mode, the card monitors the network and builds a table of active nodes, keeping a token. After 5 seconds, the card attempts to change to normal operating state (indicated by 6 flashes/s).
6 flashes/second	TOKEN OK : The token circulates normally and the card receives it once per rotation.
2 flashes/second followed by a 2 second pause	NEVER GETTING TOKEN : The token passes via other nodes but the card never receives it.
3 flashes/second followed by a 1.7 second pause	SOLE STATION : The network consists of a single node or the link has been lost.
4 flashes/second followed by a 1.4 second pause	DUPLICATE STATION : Another node is using the card's address. The card is awaiting reconfiguration or for the other node to be disconnected from the network.

NOTES

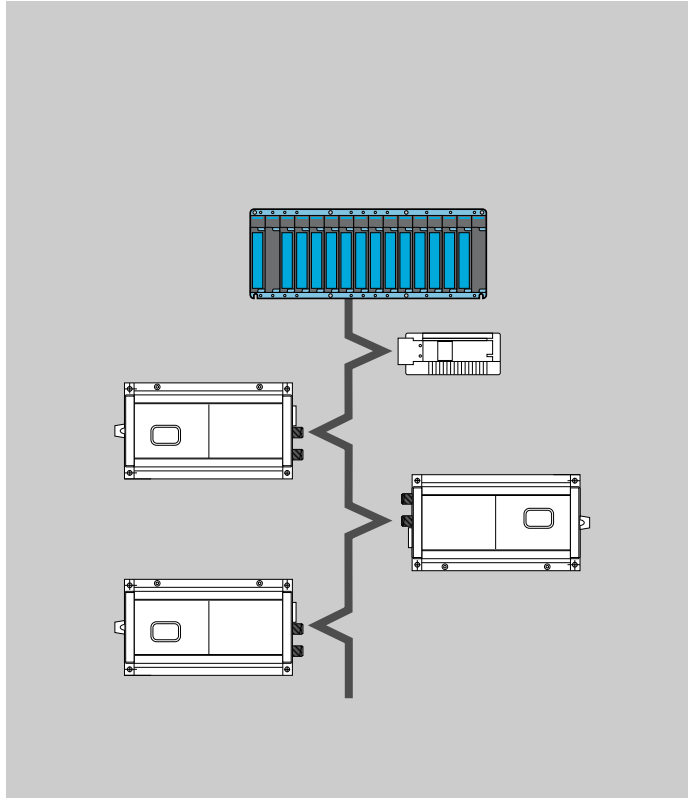
Telemecanique

Inductel® XG

Communication card, Modbus Plus protocol /
Carte de communication, Protocole Modbus Plus

User's Guide / Guide d'utilisateur

01 / 2004



Malgré tout le soin apporté à l'élaboration de ce document, Schneider Electric SA ne donne aucune garantie sur les informations qu'il contient, et ne peut être tenu responsable ni des erreurs qu'il pourrait comporter, ni des dommages qui pourraient résulter de son utilisation ou de son application.

Les produits et les additifs présentés dans ce document sont à tout moment susceptibles d'évolutions quant à leurs caractéristiques de présentation et de fonctionnement. Leur description ne peut en aucun cas revêtir un aspect contractuel.

Les produits, matériels et services présentés dans ce document sont à tout moment susceptibles d'évolutions quant à leurs caractéristiques de présentation, fonctionnement ou utilisation. Leur description ne peut en aucun cas revêtir un aspect contractuel.

© Copyright Telemecanique 2004. Toute reproduction de cet ouvrage est interdite. Toute copie ou reproduction, même partielle, par quelque procédé que ce soit, photographique, magnétique ou autre de même que toute transcription totale ou partielle sur machine électronique est interdite.

Sommaire

Chapitre	Page
1 Mise en oeuvre matérielle	3
1.1 Présentation	3
1.2 Configuration de la carte option réseau	4
1.2.1 Disposition de la carte	4
1.2.2 Codage de l'adresse de la station de terrain	4
1.2.3 Configuration de l'adresse de la station de commande de 1 à 8 5	5
1.2.4 Validation / dévalidation de la carte	6
1.2.5 Voyant lumineux de signalisation	6
1.2.6 Raccordement de la carte	6
1.3 Structure du réseau	6
1.4 Exemple de réseau Modbus Plus	8
2 Mise en oeuvre logicielle	9
2.1 Configuration des fonctions de communication	9
2.1.1 Première mise sous tension	9
2.1.2 Configuration des PEER COP	9
2.2 Variables de la station et échange de données	10
2.3 Peer Cop	10
2.3.1 Présentation	10
2.3.2 Exemple de configuration sur automate QUANTUM	11
2.3.3 Exemple de configuration sur automate PREMIUM	12
2.4 Données Globales	12
2.4.1 Transmission des données globales	12
2.4.2 Exemple de configuration sur automate QUANTUM	13
2.4.3 Exemple de configuration sur automate PREMIUM	13

Sommaire

Chapitre	Page
2.5 Messagerie	14
2.5.1 Présentation du bloc MSTR	14
2.5.2 Structure des blocs MSTR	15
2.5.3 Opération de lecture et écriture MSTR	18
3 Performances du réseau	19
3.1 Optimisation du réseau	19
3.2 Temps de mise à jour des registres	20
4 Protocole Modbus Plus	21
4.1 Table de commande (Peer Cop)	21
4.1.1 Dialogue automate → station de terrain	21
4.1.2 Description de la table de commande	21
4.1.3 Exemples (Automate Quantum)	23
4.1.4 Codes de défauts	25
4.2 Table de réponse (Données Globales)	26
4.2.1 Dialogue station → automate	26
4.2.2 Description de la table de réponse	26
4.2.3 Exemples	27
4.3 Exemples de programmation	29
5 Diagnostic	30

1 Mise en oeuvre matérielle

1.1 Présentation

La station de terrain XG se raccorde aux réseaux Modbus Plus.

Utiliser les éléments suivants (disponibles aux catalogues Schneider Electric) :

- Un câble de dérivation de 2,4 à 6 m :

Longueur du câble	Référence
2,4 m	990NAD211 10
6 m	990NAD211 30

- Un boîtier de dérivation Modbus Plus 990NAD230 00
- Un câble principal Modbus Plus (la longueur dépend de votre installation) :

Longueur du câble en bobine	Référence
30,5 m	490NAA271 01
152,5 m	490NAA271 02
305 m	490NAA271 03
457 m	490NAA271 04
1525 m	490NAA271 05

En tant que nœud d'un réseau, la station de terrain XG peut recevoir des messages de données et y répondre.

Cet échange de données permet à votre réseau d'accéder à certaines fonctions de la station comme :

- La commande et le contrôle,
- La surveillance,
- Le diagnostic.

Nous vous invitons à consulter également les documents suivants :

- Modicon, Réseau Modbus Plus, Manuel d'installation et planification 890 USE 100 01,
- Modicon, Protocoles Modbus, Manuel de référence PI-MBUS-300 (document en anglais)

1 Mise en oeuvre matérielle

Il est nécessaire de lire et étudier ce manuel en totalité avant d'installer ou d'utiliser le matériel Inductel XG.

L'installation, le réglage et la maintenance du matériel INDUCTEL XG ne doivent être effectués que par du personnel qualifié.

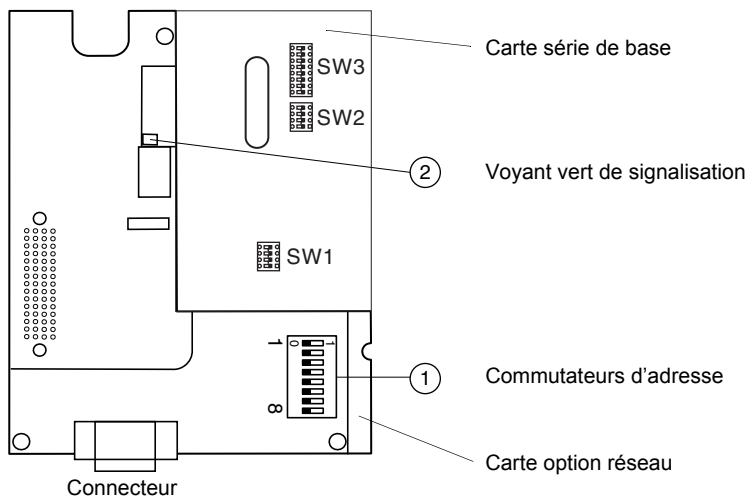
L'utilisateur ne doit pas intervenir sur les éléments internes de l'Inductel XG.

Schneider Electric n'assume aucune responsabilité des conséquences éventuelles découlant de l'utilisation de ce matériel.

FRANCAIS

1.2 Configuration de la carte option réseau

1.2.1 Disposition de la carte



1.2.2 Codage de l'adresse de la station de terrain

Une station de terrain XG est identifiée sur le bus Modbus Plus par son adresse, codée de 1 à 64.

L'adresse correspond au nombre binaire donné par la position (0 ou 1) des 6 premiers commutateurs ① de la carte, **augmenté de 1**.

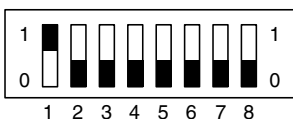
Le commutateur 8 n'est pas utilisé.

1 Mise en oeuvre matérielle

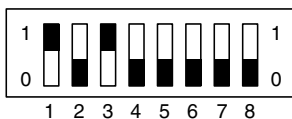
Configuration de la carte option réseau

Attention : les bits de poids faibles sont à gauche.

Exemples :



adresse 2 = 1 (+ 1)



adresse 6 = 5 (+ 1)

Tous les commutateurs à 0 donnent l'adresse 1.

L'adresse modifiée sera validée lors de la prochaine remise sous tension de la station de terrain XG.

1.2.3 Configuration de l'adresse de la station de commande de 1 à 8

NOTE



Le commutateur SW2 se situe sur la carte série de base.

Fonctions	Micro interrupteur n°			Résultat obtenus
	1	2	3	
Adresse de la station de commande	OFF	OFF	OFF	1
	ON	OFF	OFF	2
	OFF	ON	OFF	3
	ON	ON	OFF	4
	OFF	OFF	ON	5
	ON	OFF	ON	6
	OFF	ON	ON	7
	ON	ON	ON	8

1 Mise en oeuvre matérielle

1.2.4 Validation / dévalidation de la carte

NOTE



La validation / dévalidation de la carte se font par le micro interrupteur 7 du commutateurs ① :

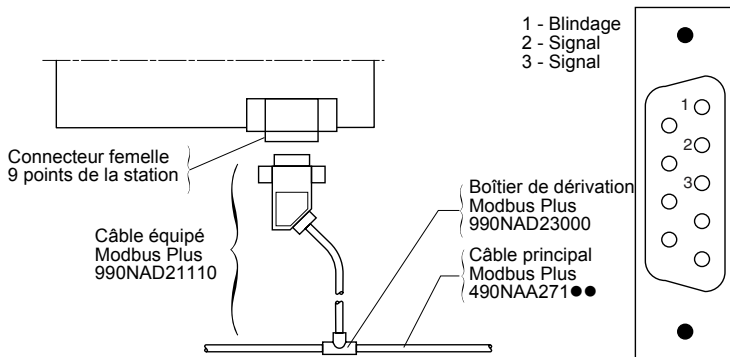
- carte inhibée : position ON,
- carte validée : position OFF.

La position du micro interrupteur 7 sera validée lors la prochaine remise sous tension de la station de terrain XG.

1.2.5 Voyant lumineux de signalisation

La carte Modbus Plus est munie d'un voyant de signalisation ③ dont le fonctionnement est détaillé au chapitre 5 - Diagnostic.

1.2.6 Raccordement de la carte



1.3 Structure du réseau

Modbus Plus est un réseau local spécialement conçu pour des applications de contrôle industriel.

Il est possible de connecter directement jusqu'à 32 nœuds au câble omnibus du réseau dont la longueur peut atteindre 450 m (1476.3ft , 17716.5 in.)

Des répéteurs permettent d'augmenter la longueur du câble jusqu'à 1800 m (5905.5ft , 70866.1 in.) et le nombre de nœuds jusqu'à 64.

En tant que nœud d'un réseau Modbus Plus, la station de terrain XG peut recevoir des messages de données provenant d'un automate maître, y répondre et ranger les informations dans la base de données globale du réseau.

1 Mise en oeuvre matérielle

D'autres nœuds peuvent avoir accès aux stations de terrain XG sur le réseau local ou sur des réseaux déportés par l'intermédiaire de ponts.

Le document "Réseau Modbus Plus Manuel d'installation et Planification 890 USE 100 01" présente en détail le réseau Modbus Plus logique (description de la séquence jeton, etc ...) et physique (câblage, boîtier de dérivation , etc...).

ATTENTION

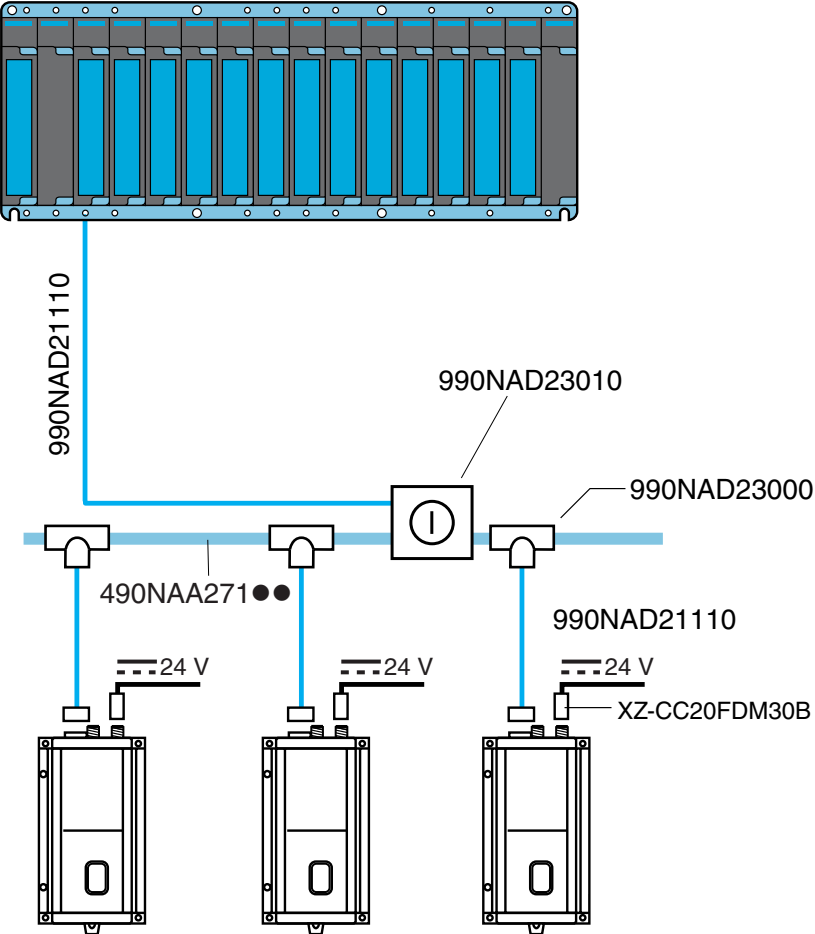
CHARGE ELECTROSTATIQUE

Ces produits sont constitués de composants électroniques sensibles.
Pour régler les commutateurs, arrêter le système.

Le non-respect de ces instructions peut entraîner des dommages matériels.

1 Mise en oeuvre matérielle

1.4 Exemple de réseau Modbus Plus



FRANÇAIS

2 Mise en oeuvre logicielle

2.1 Configuration des fonctions de communication

2.1.1 Première mise sous tension

Lors de la première mise sous tension, la carte Modbus Plus est reconnue automatiquement par la station de terrain XG.

NOTE



Le micro interrupteur 7 des commutateurs d'adresse de la carte option réseau doit être sur la position OFF.

2.1.2 Configuration des PEER COP

Paramètres	Valeurs	Remarques
Time out (1)	1.0	Incrément de 10 ms.
Peer Cop node	8	Nombre de registres (2)
Global Tx	14	Nombre de registres
Station commande	1 à 8	(3)

(1) :Le Time out représente :

- La durée maximale pendant laquelle on ne reçoit pas de jeton.
- La durée maximale entre deux réceptions de Peer Cop.
- La durée maximale provoquant la perte du sémaphore pour une station commandant la station de terrain XG par messagerie.

(2) :

NOTE



Il est impératif d'utiliser 8 mots Peer Cop.
Voir § 3.2 Temps de mise à jour des registres - page 20.

(3) : Voir § 1.2.3 Configuration de l'adresse de la station de commande de 1 à 8 - page 5.

La configuration est stockée en EEPROM et sera validée lors la prochaine remise sous tension de la station de terrain XG.

2 Mise en oeuvre logicielle

2.2 Variables de la station et échange de données

L'accès à la station de terrain peut se faire suivants :

- Peer Cop,
- Les données globales,
- La messagerie.

Les variables de la station de terrain XG ainsi que son processus de commande par liaison série sont détaillés dans le guide d'exploitation "Station de terrain".

2.3 Peer Cop

2.3.1 Présentation

Peer Cop est un moyen rapide et efficace permettant d'envoyer des données d'un noeud de commande vers la station de terrain . Il ne nécessite pas l'écriture d'une logique " LADDER " .

Le noeud émetteur envoie des données Peer Cop une fois par rotation de jeton lors du passage de celui-ci.

Chaque noeud de commande peut envoyer au maximum 32 mots de données Peer Cop par noeud vers des noeuds donnés du réseau tant que le total ne dépasse pas 500 mots.

Nota :

Les données Peer Cop ne peuvent pas passer par des ponts, elles ne sont utilisables que sur un seul segment réseau.

NOTE



Les données Peer Cop reçues sont mappées dans les 8 mots de commande.

Voir § 3.2 Temps de mise à jour des registres - page 20.

2 Mise en oeuvre logicielle

Le tableau suivant donne la liste des variables de commande mappées sur les Peer Cop

Numéro d'ordre Peer Cop	Adresse des variables	Description
1	X	Mot de commande
2	X+1	Adresse en lecture / écriture
3	X+2	1 ^{er} mot à écrire
4	X+3	2 ^{eme} mot à écrire
5	X+4	3 ^{eme} mot à écrire
6	X+5	4 ^{eme} mot à écrire
7	X+6	5 ^{eme} mot à écrire
8	X+7	6 ^{eme} mot à écrire

2.3.2 Exemple de configuration sur automate QUANTUM

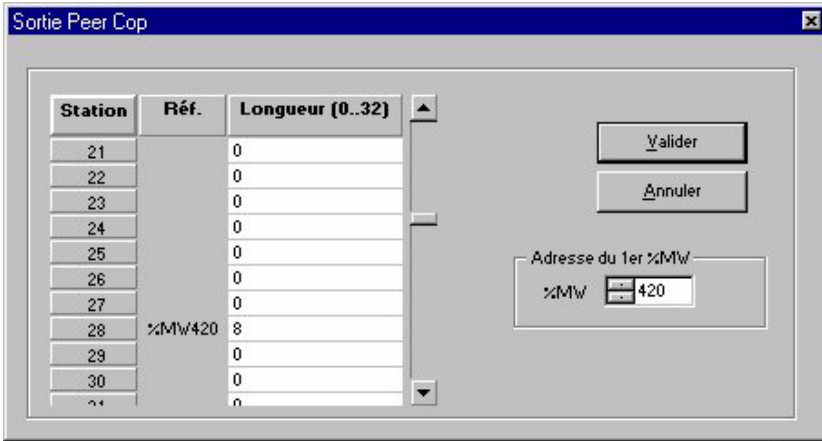
Station de terrain à l'adresse 28

Peer Cop - Specific Output sur automate QUANTUM (8 mots à l'adresse 401250).

Dest. Node	Source Ref.	Length	Bin/BCD
25			
26			
27			
28	401250		8 BIN
29			
30			
31			
32			
33			
34			
35			
36			

2 Mise en oeuvre logicielle

2.3.3 Exemple de configuration sur automate PREMIUM



2.4 Données Globales

2.4.1 Transmission des données globales

Dès qu'un noeud tient le jeton, il a la possibilité de communiquer avec les autres noeuds du réseau et de recueillir des statistiques sur celui-ci.

Dès qu'il libère le jeton, il attache à la trame de celui-ci 14 mots de données globales sur 16 bits au maximum.

Ce paquet de données est vu par tous les noeuds présents sur le réseau et tous ceux programmés à cet effet peuvent extraire les données et les enregistrer dans leurs bases de données globales.

Pour un réseau Modbus Plus comportant 64 noeuds au maximum, la base de données globales peut contenir jusqu'à 896 mots de 16 bits (14 mots par noeud).

Les données globales ne peuvent pas être partagées par des réseaux puisque le jeton n'a pas la possibilité de traverser un pont.

Si une transmission de données globales est validée pour la station de terrain XG, les 14 mots de la zone réponse peuvent être diffusés sur le réseau sous la forme de données globales à chaque rotation du jeton.

Les données globales contiennent la réponse de la station de terrain XG aux commandes de l'automate.

2 Mise en oeuvre logicielle

2.4.2 Exemple de configuration sur automate QUANTUM

Station de terrain à l'adresse 28

Global Input sur automate QUANTUM (14 mots à l'adresse 401200).

Subfield	Dest. Ref.	Index	Length	Bin/BCD
1	401200	1	14	BIN
2				
3				
4				
5				
6				
7				
8				

2.4.3 Exemple de configuration sur automate PREMIUM

```
(*=====*)  
(* XGKS MODBUS + PROTOCOL *)  
(*=====*)
```

```
(* READ THE GLOBAL DATA *)
```

```
IF NOT %MW460:X0 THEN
```

```
    READ_GDATA(ADR#0.1.28,%MW300:14,%MW460:4);
```

```
    END_IF;
```

2 Mise en oeuvre logicielle

2.5 Messagerie

Il s'agit d'une méthode de communication d'égal à égal entre des équipements en réseau. Il s'ensuit une série de demandes-réponses.

L'équipement initiateur envoie une demande à un noeud donné et il reçoit une réponse.

Lorsque des messages sont émis sur un réseau Modbus plus, le noeud sollicité doit impérativement envoyer immédiatement un accusé de réception.

Dès qu'il tient le jeton, le noeud sollicité peut alors envoyer toutes les données demandées au noeud initiateur.

D'autres périphériques du réseau peuvent écrire dans les variables de commande tant qu'elles ne sont pas en mode Peer Cop.

Les autres noeuds ne peuvent pas écrire par messagerie dans des variables configurées en Peer Cop, sauf si le délai Time out Peer Cop est atteint.

En cas de réception d'un message d'écriture sur des variables en mode Peer Cop, celui-ci est refusé et un accusé de réception négatif est renvoyé.

2.5.1 Présentation du bloc MSTR

Les automates supportant les communications Modbus Plus disposent d'une instruction spéciale MSTR (maître) grâce à laquelle des noeuds du réseau peuvent déclencher des transactions de messages.

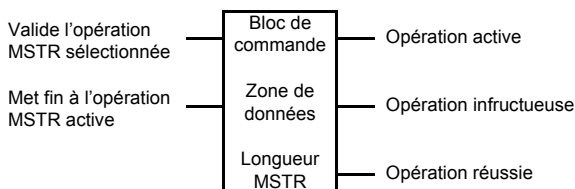
La fonction MSTR permet d'entreprendre l'une des neuf opérations de communication pouvant être réalisées sur le réseau Modbus Plus.

Chacune d'elles est désignée par un code :

Opération MSTR	Code
Ecriture de données	1
Lecture de données	2
Obtention des statistiques locales	3
Ecriture dans la base de données globales	5
Lecture dans la base de données globales	6
Obtention des statistiques à distance	7
Effacement des statistiques à distance	8
Santé Peer Cop	9

2 Mise en oeuvre logicielle

2.5.2 Structure des blocs MSTR



Entrées

MSTR possède deux points de contrôle :

- Entrée noeud supérieur - à l'état ACTIF, valide l'instruction.
- Entrée noeud médian - à l'état ACTIF, met fin à l'opération en cours.

Sorties

MSTR peut délivrer trois sorties possibles :

- Sortie noeud supérieur - recopie l'état de l'entrée supérieure (elle passe à l'état ACTIF lorsque l'instruction est active).
- Sortie noeud médian - recopie l'état de l'entrée médiane (elle passe à l'état ACTIF si l'opération MSTR est interrompue avant la fin).
- Sortie noeud inférieur - passe à l'état ACTIF lorsqu'une opération MSTR est terminée de façon satisfaisante.

Contenu du noeud supérieur

Le registre 4x entré dans le noeud supérieur est le premier des neuf registres de stockage contigus contenant le bloc de commande :

Registres	Contenus
Affiché	Identifié l'une des neuf opérations MSTR
1 ^{er} impliqué	Affiche l'état d'erreur
2 ^{ème} impliqué	Affiche la longueur
3 ^{ème} impliqué	Affiche les informations dépendant de l'opération MSTR
4 ^{ème} impliqué	Registre de routage 1 servant à désigner l'adresse du noeud de destination pour une transaction de message dans le réseau
5 ^{ème} impliqué	Registre de routage 2

2 Mise en oeuvre logicielle

Registres	Contenus
6 ^{ème} impliqué	Registre de routage 3
7 ^{ème} impliqué	Registre de routage 4
8 ^{ème} impliqué	Registre de routage 5

Nota :

Il est impératif de connaître les procédures de routage Modbus Plus avant de programmer une instruction MSTR.

Pour une présentation complète, voir le manuel d'installation et planification du réseau Modbus Plus Modicon.

Contenu du noeud médian

Le registre 4x entré dans le noeud médian est le premier d'un groupe de registres de stockage contigus comprenant la zone données.

2 Mise en oeuvre logicielle

Pour des opérations fournissant des données au processeur de communication - comme l'opération d'écriture par exemple - la zone données constitue la source des données.

Pour des opérations destinées à acquérir des données du processeur de communication - comme l'opération de lecture par exemple - la zone données constitue la destination des données.

Contenu du noeud inférieur

L'entier entré dans le noeud inférieur définit la longueur - le nombre maximal de registres - dans la zone données. **Elle peut aller de 1 jusqu'à 60.**

2 Mise en oeuvre logicielle

2.5.3 Opération de lecture et écriture MSTR

Une opération d'écriture MSTR permet de transférer des données d'un équipement de commande à une station de terrain XG dans le réseau tandis qu'une lecture MSTR permet d'effectuer l'opération inverse.

Bloc de commande

Les registres du bloc de commande MSTR (noeud supérieur) contiennent les informations suivantes dans une opération de lecture ou d'écriture :

Variables	Fonctions	Contenus
Affiché	Type d'opération	1 = Ecriture ; 2 = Lecture
1 ^{er} impliqué	Etat d'erreur	Affichage d'une valeur hexadécimale indiquant une erreur MSTR le cas échéant
2 ^{ème} impliqué	Longueur	Ecriture = nombre de variables à envoyer vers l'esclave Lecture = nombre de variable à lire dans l'esclave
3 ^{ème} impliqué	Zone données de l'esclave	Définition du registre de démarrage dans l'esclave où doit s'effectuer la lecture ou l'écriture (1)
4 ^{ème} au 8 ^{ème} impliqué	Routage 1 à 5	Désignation de la 1ère à la 5ème adresse de routage; le dernier octet non nul dans le chemin de routage est l'équipement de transaction

(1) :

ATTENTION

ADRESSAGE INCORRECT

Il y a un décalage de 1 dans l'adresse.
Pour accéder et adresser, ajouter 1 à l'adresse.
Par exemple, pour accéder à l'adresse 450, donner 451 comme adresse.

Le non-respect de ces instructions peut entraîner des dommages matériels.

3 Performances du réseau

3.1 Optimisation du réseau

Il est possible d'obtenir les meilleures performances du réseau en tenant compte des points suivants lors de la conception et de la mise en œuvre de celui-ci :

1. Lors de la structuration des conditions d'échange des informations pour un réseau, il faut tenir compte de la vitesse des communications nécessaires à une mise en œuvre correcte de l'application.

Adopter la méthode de communication convenant au mieux aux exigences de vitesse des échanges d'informations.

Ne communiquer des informations que si l'application l'exige. Réduire au maximum le trafic sur le réseau par conception.

Par exemple, lors du pilotage d'un processus simple n'exigeant que des fonctions de commande se trouvant dans les premiers registres de commande dont on dispose par l'intermédiaire de Peer Cop, mettre en place Peer Cop pour envoyer le contenu de ces seuls registres.

Cela réduit le trafic sur le réseau tout en maintenant une vitesse globale optimale sur celui-ci.

2. Pour une meilleure sécurité du réseau, confiner les stations de terrain XG et leur équipement de commande correspondant à un même réseau local.

Dans toute la mesure du possible, réduire au maximum ou éliminer la nécessité de faire transiter des commandes de la station de terrain XG par des ponts de réseau.

3. Lors de la transmission de messages de données, entretenir implicitement le sémaphore de commande par l'émission de messages dans le délai "Time Out" spécifié.

L'utilisation du sémaphore assure une commande à point unique sur les réseaux complexes et évite les envois accidentels de messages par des équipements mal programmés.

4. La fonction NTO est destinée à être utilisée pendant les opérations de dépannage et de mise en service.

Ne pas se servir de cette fonction pendant l'exploitation normale du réseau.

5. Comprendre les possibilités de pannes du réseau conçu. Prévoir des commandes redondantes et les aléas de l'application prévue.

3 Performances du réseau

6.

ATTENTION

PERTE DE VITESSE ET DE SECURITE RESEAU

Suivre les instructions de câblage au chapitre 1.

Vérifier le câblage.

Un câblage incorrect peut entraîner interférences et données intermittentes.

Le non-respect de ces instructions peut entraîner un mauvais fonctionnement du matériel.

3.2 Temps de mise à jour des registres

Les temps maximaux de mise à jour des variables dans le cas d'un traitement de 8 données Peer Cop et de transfert de 14 données globales sont les suivants :

- Traitement des données Peer Cop de 8 variables : 138 ms.
- Période de mise à jour des données globales, 14 variables : 15 ms.

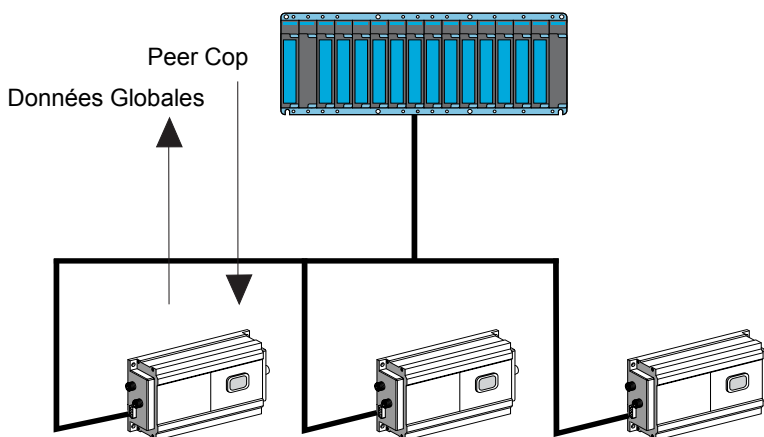
Les temps de mise à jour des données globales se rapportent au temps mis par la station de terrain pour mettre à jour les données à la disposition du réseau, à l'exclusion du temps pris par l'envoi des données globales sur le réseau.

4 Protocole Modbus Plus

4.1 Table de commande (Peer Cop)

4.1.1 Dialogue automate → station de terrain

Le dialogue entre l'automate et la station de terrain s'effectue à l'aide de commandes transmises par la table de commande (Peer Cop), la station de terrain répondant dans la table (Données Globales).



4.1.2 Description de la table de commande

Le tableau ci-dessous montre comment les registres sont affectés dans l'automate

Número d'ordre Peer Cop	Registre	Description
1	x	Mot de commande
2	x + 1	Adresse en lecture / écriture
3	x + 2	1 ^{er} mot à écrire
4	x + 3	2 ^{eme} mot à écrire
5	x + 4	3 ^{eme} mot à écrire
6	x + 5	4 ^{eme} mot à écrire
7	x + 6	5 ^{eme} mot à écrire
8	x + 7	6 ^{eme} mot à écrire

4 Protocole Modbus Plus

Table de commande (Peer Cop)

Peer Cop	15	14	13	12	11	10	9	8	7	6	5	4	3	2	1	0	
x	Opération				Code				Nombre de mots								
	1	0	0	0	0	0	0	1	0	0	0	0	0	0	1	1	1
	8				1				0				7				

Le bit 15 du mot x (Peer Cop) permet de sélectionner deux fonctions pour le mot x.

- Si ce bit = 0, le mot x ne contient aucune commande
- Si ce bit = 1, le mot x est organisé en trois zones contenant :

Zone : Opération : Les bits 12, 13, 14 permettent une numérotation éventuelle de l'opération.

Zone : code :

- 16#0 : demande de lecture sans attente (1 à 13 mots max).
- 16#1 : demande de lecture avec attente étiquette (1 à 13 mots max).
- 16#2 : demande d'écriture sans attente (1 à 6 mots max).
- 16#3 : demande d'écriture avec attente étiquette de (1 à 6 mots max).

NOTE



Chaque changement d'état d'un des bits 8 à 15 déclenche l'exécution de la commande.

Zone : Nombre de mots : le nombre de mots à écrire (de 1 à 6) ou à lire (de 1 à 13).

4 Protocole Modbus Plus

Table de commande (Peer Cop)

4.1.3 Exemples (Automate Quantum)

Demande d'écriture de 2 mots à partir de l'adresse 3 avec les valeurs 16#1256, 16 #5897, les bits 12 à 14 servent à donner un numéro de commande (facultatif) ici 3 .

La demande est à l'adresse Peer Cop 401250.

La réponse est à l'adresse Données Globales 401200.

- Demande :

Peer Cop	15	14	13	12	11	10	9	8	7	6	5	4	3	2	1	0
x (401250)	Opération				Code				Nombre de mots							
	1	0	1	1	0	0	1	0	0	0	0	0	0	0	1	0
	B				2				0				2			
x+1 (401251)	Adresse du 1 ^{er} mot à écrire															
	0	0	0	0	0	0	0	0	0	0	0	0	0	0	1	1
	0				0				0				3			
x+2 (401252)	1 ^{ere} donnée à écrire															
	0	0	0	1	0	0	1	0	0	1	0	1	0	1	1	0
	1				2				5				6			
x+3 (401253)	2 ^{eme} donnée à écrire															
	0	1	0	1	1	0	0	0	1	0	0	1	0	1	1	1
	5				8				9				7			

- Réponse si l'écriture s'est bien exécutée

Données Globales	15	14	13	12	11	10	9	8	7	6	5	4	3	2	1	0
x (401200)	Opération				Code				Longueur							
	0	0	1	1	0	0	1	0	0	0	0	0	0	0	1	0
	3				2				0				2			

- Réponse si l'écriture s'est mal exécutée

Données Globales	15	14	13	12	11	10	9	8	7	6	5	4	3	2	1	0
x (401200)	Opération				Code				Défaut (1)							
	0	0	1	1	0	0	1	0	1	0	0	1	0	0	1	0
	3				2				9				2			

(1) : Voir § 4.1.4 Codes de défauts - page 25

4 Protocole Modbus Plus

Table de commande (Peer Cop)

Demande de lecture avec attente étiquette de 4 mots à partir de l'adresse 100 (16#64), les bits 12 à 14 servent à donner un numéro de commande (facultatif) ici 2.

La demande est à l'adresse Peer Cop 401250.

La réponse est à l'adresse Données Globales 401200

• Demande :

Peer Cop	15	14	13	12	11	10	9	8	7	6	5	4	3	2	1	0
x (401250)	Opération				Code				Nombre de mots							
	1	0	1	0	0	0	0	1	0	0	0	0	0	1	0	0
	A				1				0				4			
x+1 (401251)	Adresse															
	0	0	0	0	0	0	0	0	0	1	1	0	0	1	0	0
	0				0				6				4			

• Réponse si la lecture s'est bien exécutée :

Données Globales	15	14	13	12	11	10	9	8	7	6	5	4	3	2	1	0
x (401200)	Opération				Code				Longueur							
	0	0	1	0	0	0	0	1	0	0	0	0	0	1	0	0
	2				1				0				4			
x+1 (401201)	Valeur du 1 ^{er} mot lu															
	0	0	0	0	0	1	0	1	0	0	0	0	0	0	1	1
	0				5				0				3			
x+2 (401202)	Valeur du 2 ^{eme} mot lu															
	0	0	1	1	0	0	0	0	0	0	0	1	0	0	0	0
	3				0				1				0			
x+3 (401203)	Valeur du 3 ^{eme} mot lu															
	0	0	0	1	0	0	1	0	0	1	0	1	0	1	1	0
	1				2				5				6			
x+4 (401204)	Valeur du 4 ^{eme} mot lu															
	0	1	0	1	1	0	0	0	1	0	0	1	0	1	1	1
	5				8				9				7			

• Réponse si la lecture s'est mal exécutée

Données Globales	15	14	13	12	11	10	9	8	7	6	5	4	3	2	1	0
x (401200)	Opération				Code				Défaut (1)							
	0	0	1	0	0	0	0	1	1	0	0	1	0	0	1	0
	2				1				9				2			

(1) : Voir § 4.1.4 Codes de défauts - page 25

4 Protocole Modbus Plus

Table de commande (Peer Cop)

Demande de lecture de la présence étiquette
La demande est à l'adresse Peer Cop 401250.
La réponse est à l'adresse Données Globales 401200

- Demande :

Peer Cop	15	14	13	12	11	10	9	8	7	6	5	4	3	2	1	0
x (401250)	Opération				Code				Nombre de mots							
	0	0	0	0	0	0	0	0	0	0	0	0	0	0	0	0
	0				0				0				0			

- Réponse si l'étiquette est présente :

Données Globales	15	14	13	12	11	10	9	8	7	6	5	4	3	2	1	0
x (401200)	Opération				Code				Longueur							
	1	0	0	0	0	0	0	0	0	0	0	0	0	0	1	1
	8				0				0				3			

- Réponse si l'étiquette est absente :

Données Globales	15	14	13	12	11	10	9	8	7	6	5	4	3	2	1	0
x (401200)	Opération				Code				Longueur							
	1	0	0	0	0	0	0	0	0	0	0	0	0	0	0	0
	8				0				0				0			

4.1.4 Codes de défauts

Les différentes erreurs de dialogue entre la station et l'étiquette sont :

- 16#92 : Adresse erronée.
- 16#95 : Défaut dialogue entre la carte série de base et la commande de l'antenne.
- 16#97 : Interruption par une commande directe.
- 16#9C : Défaut de l'antenne.
- 16#9D : Etiquette non compatible.
- 16#9E : Etiquette altérée.
- 16#9F : Défaut sur time out (badge sorti du lobe avant la fin de l'échange) ou Défaut sur nombre de tentatives (défaut d'échange avec l'étiquette)

4 Protocole Modbus Plus

4.2 Table de réponse (Données Globales)

4.2.1 Dialogue station → automate

La réponse de la station aux commandes de l'automate est stockée dans la table réponse (Données globales).

4.2.2 Description de la table de réponse

Peer Cop	15	14	13	12	11	10	9	8	7	6	5	4	3	2	1	0		
x	Opération				Code				Nombre de mots									
	1	0	0	0	0	0	0	0	1	0	0	0	0	0	0	1	1	1
	8				1				0				7					

Le bit 15 du 1^{er} mot (x) de la table de commande (Peer Cop) permet de sélectionner deux fonctions pour le 1^{er} mot (x) de la table de réponse (Données Globales).

Données Globales	15	14	13	12	11	10	9	8	7	6	5	4	3	2	1	0
x	Opération				Code				Longueur							
	1	0	0	0	0	0	0	0	0	0	0	0	0	0	0	0
	8				0				0				0			

- Si le bit 15 = 1, le 1^{er} mot (x) de la table de réponse (Données Globales) contient le mot status de la station.

Exemple : Mot 401200 quand l'étiquette est présente devant la station et que le dialogue est possible.

Données Globales	15	14	13	12	11	10	9	8	7	6	5	4	3	2	1	0	
x (401200)	Opération				Code				Status								
	1	0	0	0	0	0	0	0	0	0	0	0	0	0	0	1	1
	8				0				0				3				

- Si le bit 15 = 0, le 1^{er} mot (x) de la table de réponse (Données Globales) est organisé en trois zones contenant :

Zone opération :

Si le Bit 15 du mot (x) de la table réponse = 1 : Fonction lecture status.

Si le Bit 15 du mot (x) de la table réponse = 0 : Réponse à une commande.

Les bits 12, 13, 14 permettent une numérotation éventuelle de l'opération.

4 Protocole Modbus Plus

Table de réponse (Données Globales)

Zone code :

- 16#0 : réponse à une demande de lecture sans attente (1 à 13 mots).
- 16#1 : réponse à une demande de lecture avec attente étiquette (1 à 13 mots).
- 16#2 : réponse à une demande d'écriture sans attente (1 à 6 mots).
- 16#3 : réponse à une demande d'écriture avec attente étiquette (1 à 6 mots).

Zone longueur : le nombre de mots lus 1 à 13 ou écrits 1 à 6.

Nota

Si le bit 7 = 1, la valeur lue dans les bit 0 à 6 représente un numéro de défaut.

La réponse est validée si il y a une valeur dans les bits 0 à 7.

4.2.3 Exemples

Réponse à une demande de lecture avec attente de 2 mots à l'adresse 27 de l'étiquette (opération n° 2)

La demande est à l'adresse Peer Cop 401250.

La réponse est à l'adresse Données Globales 401200.

• Demande :

Peer Cop	15	14	13	12	11	10	9	8	7	6	5	4	3	2	1	0
x (401250)	Opération				Code				Nombre de mots							
	1	0	1	0	0	0	0	1	0	0	0	0	0	0	1	0
	A				1				0				2			
x+1 (401251)	Adresse															
	0	0	0	0	0	0	0	0	0	0	0	1	1	0	1	1
	0				0				1				B			

• Réponse :

Données Globales	15	14	13	12	11	10	9	8	7	6	5	4	3	2	1	0
x (401200)	Opération				Code				Longueur							
	0	0	1	0	0	0	0	1	0	0	0	0	0	0	1	0
	2				1				0				2			
x+1 (401201)	1 ^{er} mot lu															
	0	0	1	0	0	0	0	1	0	0	0	0	0	1	0	0
	2				1				0				4			
x+2 (401202)	2 ^{eme} mot lu															
	0	0	1	1	0	0	0	1	0	0	0	0	1	0	1	1
	3				1				0				B			

4 Protocole Modbus Plus

Table de réponse (Données Globales)

Demande de lecture sans attente de 8 mots
La demande est à l'adresse Peer Cop 401250.
La réponse est à l'adresse Données Globales 401200

• Demande :

Peer Cop	15	14	13	12	11	10	9	8	7	6	5	4	3	2	1	0
x (401250)	Opération				Code				Nombre de mots							
	1	0	0	0	0	0	0	0	0	0	0	0	1	0	0	0
	8				0				0				8			

• Réponse si l'étiquette est absente

Données Globales	15	14	13	12	11	10	9	8	7	6	5	4	3	2	1	0
x (401200)	Opération				Code				Longueur							
	0	0	0	0	0	0	0	0	1	0	0	1	1	1	1	1
	0				0				9				F			

Demande d'écriture sans attente de 12 mots
La demande est à l'adresse Peer Cop 401250.
La réponse est à l'adresse Données Globales 401200

• Demande :

Peer Cop	15	14	13	12	11	10	9	8	7	6	5	4	3	2	1	0
x (401250)	Opération				Code				Nombre de mots							
	1	0	0	0	0	0	1	0	0	0	0	0	1	1	0	0
	8				2				0				C			

• Réponse si l'étiquette est absente

Données Globales	15	14	13	12	11	10	9	8	7	6	5	4	3	2	1	0
x (401200)	Opération				Code				Longueur							
	0	0	0	0	0	0	1	0	1	0	0	1	1	1	1	1
	0				2				9				F			

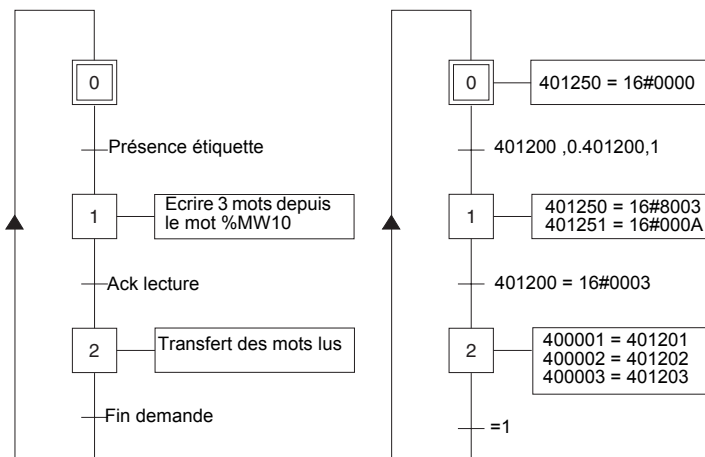
4 Protocole Modbus Plus

4.3 Exemples de programmation

Lire 3 mots à partir du mot %MW10 de l'étiquette et les ranger dans les mots 400001 à 400003.

La demande est à l'adresse Peer Cop 401250.

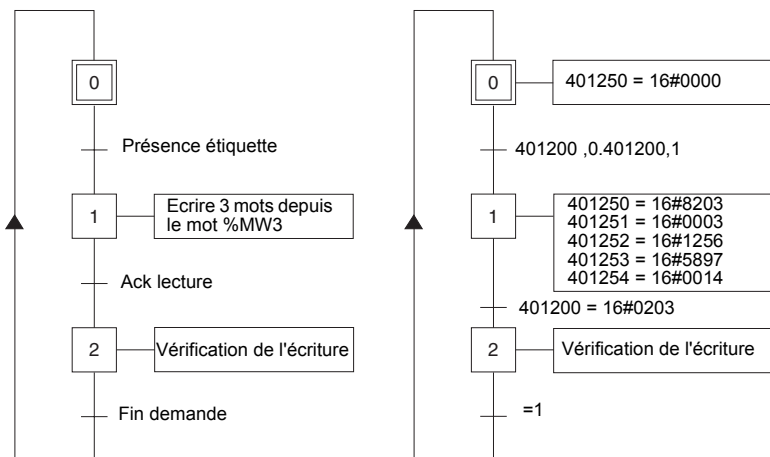
La réponse est à l'adresse Données Globales 401200



Ecrire 3 mots à partir du mot %MW3 dans l'étiquette.

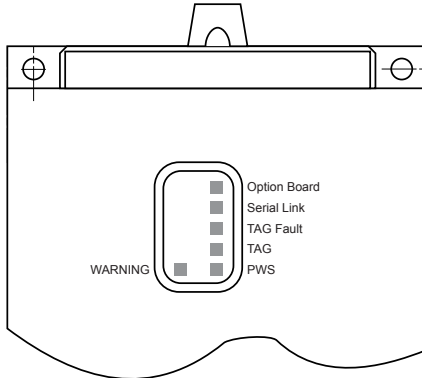
La demande est à l'adresse Peer Cop 401250.

La réponse est à l'adresse Données Globales 401200



5 Diagnostic

La carte option réseau Modbus Plus comprend 1 voyant qui est visible au travers de la fenêtre du capot de la station de terrain XG :



L'état de la liaison de communication Modbus Plus est indiqué par le voyant DEL vert.

Le tableau suivant donne la signification des différents états :

Etat du voyant	Signification
Eteint	Carte désactivée : Le commutateur 7 est à l'état ON. Défaut ILF : Problème de communication sur la liaison CAN.
1 clignotement / seconde	MONITOR LINK : Dès la mise sous tension ou après être sortie du mode "4 clignotements/s", la carte surveille le réseau et construit une table des noeuds actifs et retenant un jeton. Au bout de 5 secondes, la carte essaie de passer à l'état de fonctionnement normal (indiqué par 6 clignotements/s).
6 clignotements/seconde	JETON OK : Le jeton circule normalement et la carte le reçoit une fois par rotation.
2 clignotements/seconde suivis d'une pause de 2 secondes	NEVER GETTING TOKEN : Le jeton passe par d'autres noeuds mais la carte ne le reçoit jamais.
3 clignotements/seconde suivis d'une pause de 1,7 secondes	SOLE STATION : Le réseau ne comporte qu'un seul noeud ou la liaison a été perdue.
4 clignotements/seconde suivis d'une pause de 1,4 secondes	DUPLICATE STATION : Un autre noeud se sert de l'adresse de la carte. Celle-ci attend une reconfiguration ou que l'autre noeud soit déconnecté du réseau.

