

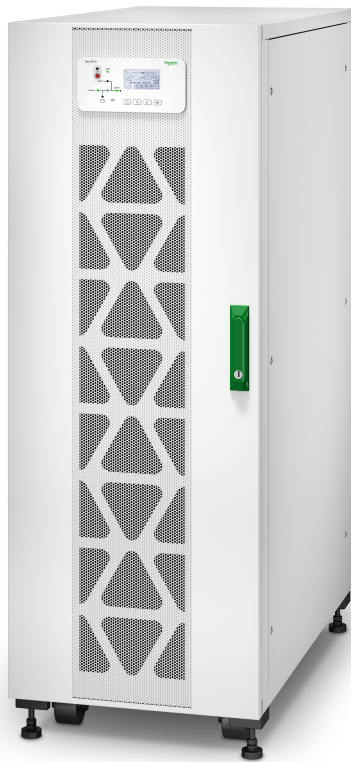
# Easy UPS 3S with Internal Batteries

10–30 kVA 3:1

## Installation

E3SUPS10K3IB, E3SUPS10K3IB1, E3SUPS10K3IB2, E3SUPS15K3IB, E3SUPS15K3IB1, E3SUPS15K3IB2, E3SUPS20K3IB, E3SUPS20K3IB1, E3SUPS20K3IB2, E3SUPS30K3IB, E3SUPS30K3IB1, E3SUPS30K3IB2

05/2019



# Legal Information

The Schneider Electric brand and any trademarks of Schneider Electric SE and its subsidiaries referred to in this guide are the property of Schneider Electric SE or its subsidiaries. All other brands may be trademarks of their respective owners.

This guide and its content are protected under applicable copyright laws and furnished for informational use only. No part of this guide may be reproduced or transmitted in any form or by any means (electronic, mechanical, photocopying, recording, or otherwise), for any purpose, without the prior written permission of Schneider Electric.

Schneider Electric does not grant any right or license for commercial use of the guide or its content, except for a non-exclusive and personal license to consult it on an "as is" basis. Schneider Electric products and equipment should be installed, operated, serviced, and maintained only by qualified personnel.

As standards, specifications, and designs change from time to time, information contained in this guide may be subject to change without notice.

To the extent permitted by applicable law, no responsibility or liability is assumed by Schneider Electric and its subsidiaries for any errors or omissions in the informational content of this material or consequences arising out of or resulting from the use of the information contained herein.



Go to <http://www.productinfo.schneider-electric.com/portals/ui/easyups3s/> for translations.

Rendez-vous sur <http://www.productinfo.schneider-electric.com/portals/ui/easyups3s/> pour accéder aux traductions.

Vaya a <http://www.productinfo.schneider-electric.com/portals/ui/easyups3s/> para obtener las traducciones.

Gehe zu <http://www.productinfo.schneider-electric.com/portals/ui/easyups3s/> für Übersetzungen.

Vai a <http://www.productinfo.schneider-electric.com/portals/ui/easyups3s/> per le traduzioni.

Vá para <http://www.productinfo.schneider-electric.com/portals/ui/easyups3s/> para obter as traduções.

Перейдите по ссылке <http://www.productinfo.schneider-electric.com/portals/ui/easyups3s/> для просмотра переводов.

前往 <http://www.productinfo.schneider-electric.com/portals/ui/easyups3s/> 查看译文。

前往 <http://www.productinfo.schneider-electric.com/portals/ui/easyups3s/> 查看譯文。

# Table of Contents

Important Safety Instructions — SAVE THESE	
<b>INSTRUCTIONS</b> .....	5
Electromagnetic Compatibility .....	6
Safety Precautions .....	6
Electrical Safety .....	8
Battery Safety .....	9
<b>Specifications</b> .....	11
Input Specifications .....	11
Bypass Specifications .....	11
Output Specifications .....	12
Battery Specifications .....	12
Required Upstream and Downstream Protection and Cable Sizes .....	12
Recommended Bolts and Cable Lugs .....	14
Torque Specifications .....	14
Weights and Dimensions .....	14
Shipping Weights and Dimensions .....	14
Clearance .....	15
Environmental .....	15
<b>Overview</b> .....	16
Overview of Single UPS .....	16
Overview of 1+1 Redundant Parallel System with Common Battery Bank .....	17
Overview of Parallel System .....	18
<b>Receiving</b> .....	19
Remove the UPS from the Pallet .....	19
<b>Connect the Power Cables</b> .....	22
Connect the Power Cables in the 10–15 kVA UPS .....	22
Connect the Power Cables in the 20 kVA UPS .....	24
Connect the Power Cables in the 30 kVA UPS .....	26
<b>Communication Interfaces</b> .....	28
Input Contacts and Output Relays .....	30
Connect the Signal Cables in Parallel Systems .....	31
<b>Backfeed Protection</b> .....	32
Install External Backfeed Protection in a Single Mains System .....	32
Install External Backfeed Protection in a Dual Mains System .....	33
<b>Install Batteries in the UPS</b> .....	35
<b>Installation Checklist</b> .....	37



# Important Safety Instructions — SAVE THESE INSTRUCTIONS

Read these instructions carefully and look at the equipment to become familiar with it before trying to install, operate, service or maintain it. The following safety messages may appear throughout this manual or on the equipment to warn of potential hazards or to call attention to information that clarifies or simplifies a procedure.



The addition of this symbol to a “Danger” or “Warning” safety message indicates that an electrical hazard exists which will result in personal injury if the instructions are not followed.



This is the safety alert symbol. It is used to alert you to potential personal injury hazards. Obey all safety messages with this symbol to avoid possible injury or death.

## **DANGER**

**DANGER** indicates a hazardous situation which, if not avoided, **will result in death or serious injury.**

**Failure to follow these instructions will result in death or serious injury.**

## **WARNING**

**WARNING** indicates a hazardous situation which, if not avoided, **could result in death or serious injury.**

**Failure to follow these instructions can result in death, serious injury, or equipment damage.**

## **CAUTION**

**CAUTION** indicates a hazardous situation which, if not avoided, **could result in minor or moderate injury.**

**Failure to follow these instructions can result in injury or equipment damage.**

## **NOTICE**

**NOTICE** is used to address practices not related to physical injury. The safety alert symbol shall not be used with this type of safety message.

**Failure to follow these instructions can result in equipment damage.**

## Please Note

Electrical equipment should only be installed, operated, serviced, and maintained by qualified personnel. No responsibility is assumed by Schneider Electric for any consequences arising out of the use of this material.

A qualified person is one who has skills and knowledge related to the construction, installation, and operation of electrical equipment and has received safety training to recognize and avoid the hazards involved.

## Electromagnetic Compatibility

### **NOTICE**

#### **RISK OF ELECTROMAGNETIC DISTURBANCE**

This is a product Category C3 according to IEC 62040-2. This is a product for commercial and industrial applications in the second environment - installation restrictions or additional measures may be needed to prevent disturbances. The second environment includes all commercial, light industry, and industrial locations other than residential, commercial, and light industrial premises directly connected without intermediate transformer to a public low-voltage mains supply. The installation and cabling must follow the electromagnetic compatibility rules, e.g.:

- the segregation of cables,
- the use of shielded or special cables when relevant,
- the use of grounded metallic cable tray and supports.

**Failure to follow these instructions can result in equipment damage.**

## Safety Precautions

### **⚠ DANGER**

#### **HAZARD OF ELECTRIC SHOCK, EXPLOSION, OR ARC FLASH**

All safety instructions in this document must be read, understood and followed.

**Failure to follow these instructions will result in death or serious injury.**

### **⚠ DANGER**

#### **HAZARD OF ELECTRIC SHOCK, EXPLOSION, OR ARC FLASH**

Read all instructions in the Installation Manual before installing or working on this UPS system.

**Failure to follow these instructions will result in death or serious injury.**

### **⚠ DANGER**

#### **HAZARD OF ELECTRIC SHOCK, EXPLOSION, OR ARC FLASH**

Do not install the UPS system until all construction work has been completed and the installation room has been cleaned.

**Failure to follow these instructions will result in death or serious injury.**

### **⚠ DANGER**

#### **HAZARD OF ELECTRIC SHOCK, EXPLOSION, OR ARC FLASH**

- The product must be installed according to the specifications and requirements as defined by Schneider Electric. It concerns in particular the external and internal protections (upstream breakers, battery breakers, cabling, etc.) and environmental requirements. No responsibility is assumed by Schneider Electric if these requirements are not respected.
- After the UPS system has been electrically wired, do not start up the system. Start-up must only be performed by Schneider Electric.

**Failure to follow these instructions will result in death or serious injury.**

**⚠ DANGER**

**HAZARD OF ELECTRIC SHOCK, EXPLOSION, OR ARC FLASH**

The UPS system must be installed according to local and national regulations. Install the UPS according to:

- IEC 60364 (including 60364–4–41- protection against electric shock, 60364–4–42 - protection against thermal effect, and 60364–4–43 - protection against overcurrent), or
- NEC NFPA 70, or
- Canadian Electrical Code (C22.1, Part 1)

depending on which one of the standards apply in your local area.

**Failure to follow these instructions will result in death or serious injury.**

**⚠ DANGER**

**HAZARD OF ELECTRIC SHOCK, EXPLOSION, OR ARC FLASH**

- Install the UPS system in a temperature controlled indoor environment free of conductive contaminants and humidity.
- Install the UPS system on a non-flammable, level and solid surface (e.g. concrete) that can support the weight of the system.

**Failure to follow these instructions will result in death or serious injury.**

**⚠ DANGER**

**HAZARD OF ELECTRIC SHOCK, EXPLOSION, OR ARC FLASH**

The UPS is not designed for and must therefore not be installed in the following unusual operating environments:

- Damaging fumes
- Explosive mixtures of dust or gases, corrosive gases, or conductive or radiant heat from other sources
- Moisture, abrasive dust, steam or in an excessively damp environment
- Fungus, insects, vermin
- Salt-laden air or contaminated cooling refrigerant
- Pollution degree higher than 2 according to IEC 60664-1
- Exposure to abnormal vibrations, shocks, and tilting
- Exposure to direct sunlight, heat sources, or strong electromagnetic fields

**Failure to follow these instructions will result in death or serious injury.**

**⚠ DANGER**

**HAZARD OF ELECTRIC SHOCK, EXPLOSION, OR ARC FLASH**

Do not drill or cut holes for cables or conduits with the gland plates installed and do not drill or cut holes in close proximity to the UPS.

**Failure to follow these instructions will result in death or serious injury.**

**⚠ WARNING**

**HAZARD OF ARC FLASH**

Do not make mechanical changes to the product (including removal of cabinet parts or drilling/cutting of holes) that are not described in the Installation Manual.

**Failure to follow these instructions can result in death, serious injury, or equipment damage.**

**NOTICE****RISK OF OVERHEATING**

Respect the space requirements around the UPS system and do not cover the product's ventilation openings when the UPS system is in operation.

**Failure to follow these instructions can result in equipment damage.**

**NOTICE****RISK OF EQUIPMENT DAMAGE**

Do not connect the UPS output to regenerative load systems including photovoltaic systems and speed drives.

**Failure to follow these instructions can result in equipment damage.**

**Electrical Safety****⚠ DANGER****HAZARD OF ELECTRIC SHOCK, EXPLOSION OR ARC FLASH**

- Electrical equipment must be installed, operated, serviced, and maintained only by qualified personnel.
- The UPS system must be installed in a room with restricted access (qualified personnel only).
- Apply appropriate personal protective equipment (PPE) and follow safe electrical work practices.
- Turn off all power supplying the UPS system before working on or inside the equipment.
- Before working on the UPS system, check for hazardous voltage between all terminals including the protective earth.
- The UPS contains an internal energy source. Hazardous voltage can be present even when disconnected from the utility/mains supply. Before installing or servicing the UPS system, ensure that the units are OFF and that utility/mains and batteries are disconnected. Wait five minutes before opening the UPS to allow the capacitors to discharge.
- A disconnection device (e.g. disconnection circuit breaker or switch) must be installed to enable isolation of the system from upstream power sources in accordance with local regulations. This disconnection device must be easily accessible and visible.
- The UPS must be properly earthed/grounded and due to a high leakage current, the earthing/grounding conductor must be connected first.

**Failure to follow these instructions will result in death or serious injury.**

**⚠ DANGER****HAZARD OF ELECTRIC SHOCK, EXPLOSION, OR ARC FLASH**

In systems where backfeed protection is not part of the standard design, an automatic isolation device (backfeed protection option or other device meeting the requirements of IEC/EN 62040–1 or UL1778 5th Edition – depending on which of the two standards apply to your local area) must be installed to prevent hazardous voltage or energy at the input terminals of the isolation device. The device must open within 15 seconds after the upstream power supply fails and must be rated according to the specifications.

**Failure to follow these instructions will result in death or serious injury.**



When the UPS input is connected through external isolators that, when opened, isolate the neutral or when the automatic backfeed isolation is provided external to the equipment or is connected to an IT power distribution system, a label must be fitted at the UPS input terminals, and on all primary power isolators installed remote from the UPS area and on external access points between such isolators and the UPS, by the user, displaying the following text (or equivalent in a language which is acceptable in the country in which the UPS system is installed):

**⚠ DANGER**

**HAZARD OF ELECTRIC SHOCK, EXPLOSION, OR ARC FLASH**

Risk of Voltage Backfeed. Before working on this circuit: Isolate the UPS and check for hazardous voltage between all terminals including the protective earth.

**Failure to follow these instructions will result in death or serious injury.**

## Battery Safety

**⚠ DANGER**

**HAZARD OF ELECTRIC SHOCK, EXPLOSION, OR ARC FLASH**

- Battery circuit breakers must be installed according to the specifications and requirements as defined by Schneider Electric.
- Servicing of batteries must only be performed or supervised by qualified personnel knowledgeable of batteries and the required precautions. Keep unqualified personnel away from batteries.
- Disconnect charging source prior to connecting or disconnecting battery terminals.
- Do not dispose of batteries in a fire as they can explode.
- Do not open, alter, or mutilate batteries. Released electrolyte is harmful to the skin and eyes. It may be toxic.

**Failure to follow these instructions will result in death or serious injury.**

**⚠ DANGER**

**HAZARD OF ELECTRIC SHOCK, EXPLOSION, OR ARC FLASH**

Batteries can present a risk of electric shock and high short-circuit current. The following precautions must be observed when working on batteries

- Remove watches, rings, or other metal objects.
- Use tools with insulated handles.
- Wear protective glasses, gloves and boots.
- Do not lay tools or metal parts on top of batteries.
- Disconnect the charging source prior to connecting or disconnecting battery terminals.
- Determine if the battery is inadvertently grounded. If inadvertently grounded, remove source from ground. Contact with any part of a grounded battery can result in electric shock. The likelihood of such shock can be reduced if such grounds are removed during installation and maintenance (applicable to equipment and remote battery supplies not having a grounded supply circuit).

**Failure to follow these instructions will result in death or serious injury.**

**⚠ DANGER****HAZARD OF ELECTRIC SHOCK, EXPLOSION, OR ARC FLASH**

When replacing batteries, always replace with the same type and number of batteries or battery packs.

**Failure to follow these instructions will result in death or serious injury.**

**NOTICE****RISK OF EQUIPMENT DAMAGE**

- Wait until the system is ready to be powered up before installing batteries in the system. The time duration from battery installation until the UPS system is powered up must not exceed 72 hours or 3 days.
- Batteries must not be stored more than six months due to the requirement of recharging. If the UPS system remains de-energized for a long period, Schneider Electric recommends that you energize the UPS system for a period of 24 hours at least once every month. This charges the batteries, thus avoiding irreversible damage.

**Failure to follow these instructions can result in equipment damage.**

# Specifications

## Input Specifications

	10 kVA			15 kVA			20 kVA			30 kVA		
<b>Voltage (V)</b>	<b>380</b>	<b>400</b>	<b>415</b>	<b>380</b>	<b>400</b>	<b>415</b>	<b>380</b>	<b>400</b>	<b>415</b>	<b>380</b>	<b>400</b>	<b>415</b>
Connections	L1, L2, L3, N, PE											
Input voltage range (V)	304–477											
Frequency range (Hz)	45–65											
Nominal input current (A)	16	15	15	24	23	22	32	31	30	48	46	44
Maximum input current (A)	19	18	18	29	28	26	38	37	36	58	55	53
Input current limitation (A)	22	20	20	33	31	30	44	42	41	65	63	60
Total harmonic distortion (THDI)	<4% for 10 kVA UPS <5% for 15–30 kVA UPS											
Input power factor	> 0.99											
Maximum input shortcircuit withstand	Icc=10 kA											
Protection	Circuit breaker and fuse									Switch and fuse		
Ramp-in	15 seconds											

## Bypass Specifications

	10 kVA			15 kVA			20 kVA			30 kVA		
<b>Voltage (V)</b>	<b>220</b>	<b>230</b>	<b>240</b>	<b>220</b>	<b>230</b>	<b>240</b>	<b>220</b>	<b>230</b>	<b>240</b>	<b>220</b>	<b>230</b>	<b>240</b>
Connections	L, N, PE											
Overload capacity	125% continuous 125–130% for 10 minutes 130–150% for 1 minute >150% for 300 milliseconds											
Minimum bypass voltage (V)	176	184	192	176	184	192	176	184	192	176	184	192
Maximum bypass voltage (V)	253	264	276	253	264	276	253	264	276	253	264	276
Frequency (Hz)	50 or 60											
Nominal bypass current (A)	46	43	42	69	66	63	91	87	84	137	131	125
Maximum input short circuit withstand	Icc=10 kA											

## Output Specifications

	10 kVA			15 kVA			20 kVA			30 kVA		
Voltage (V)	220	230	240	220	230	240	220	230	240	220	230	240
Connections	L, N, PE											
Overload capacity	110% for 60 minutes 125% for 10 minutes 150% for 1 minute >150% for less than 200 milliseconds											
Output voltage tolerance	± 1.5%											
Dynamic load response	40 milliseconds											
Output power factor	1.0						1.0 <sup>1</sup>					
Nominal output current (A)	46	43	42	69	66	63	91	87	84	137	131	125
Total harmonic distortion (THDU)	<3% at 100% linear load <5.5% at 100% non-linear load											
Output frequency (Hz)	50 or 60											
Slew rate (Hz/sec)	Programmable: 0.1 to 5.0. Default is 2.0.											
Output performance classification (according to EN62040-3)	VFI-SS-111											

## Battery Specifications

	10 kVA	15 kVA	20 kVA	30 kVA
Charging power	Programmable from 1% to 20% of UPS capacity. Default is 10%.			
Maximum charging power (W)	2000	3000	4000	6000
Nominal battery voltage (VDC)	± 240			
Nominal float voltage (VDC)	± 270			
End of discharge voltage (full load) (VDC)	± 198			
End of discharge voltage (no load) (VDC)	± 210			
Battery current at full load and nominal battery voltage (A)	22	33	44	66
Battery current at full load and minimum battery voltage (A)	27	40	54	81
Temperature compensation (per cell)	Programmable from 0–5 mV. Default is 3 mV.			
Ripple current	< 5% C10			

## Required Upstream and Downstream Protection and Cable Sizes

**NOTE:** Overcurrent protection must be provided by others.

Cable sizes in this manual are based on:

- Single core cables type U1000 R02V
- Specific to AC cables: Maximum length 70 m with a line voltage drop <3% installed on perforated cable trays, XLPE-type insulation, single layer trefoil formation, THDI between 15% and 33% , 35 °C at 400 V grouped in four touching cables
- Specific to DC cables: Maximum length 15 m with a line voltage drop <1%

1. When ambient temperature is below 30 °C. When the ambient temperature is above 30 °C, the power factor is 0.9.

**10 kVA UPS**

	<b>Breaker</b>	<b>Cable Size per Phase (mm<sup>2</sup>)</b>	<b>PE Cable Size (mm<sup>2</sup>)</b>
Input – single mains Input – dual mains	C120H-D-4P-80A C65H-D-4P-50A/C60H-D-4P-50A	16 6	6
Bypass	C120H-D-2P-80A	16	6
Output	C65N-B-2P-25A/ C60N-B-2P-25A	16	6

**15 kVA UPS**

	<b>Breaker</b>	<b>Cable Size per Phase (mm<sup>2</sup>)</b>	<b>PE Cable Size (mm<sup>2</sup>)</b>
Input – single mains Input – dual mains	C120H-D-4P-125A C65H-D-4P-50A/C60H-D-4P-50A	25 6	6
Bypass	C120H-D-2P-125A	25	6
Output	C65N-B-2P-25A/ C60N-B-2P-25A	25	6

**20 kVA UPS**

	<b>Breaker</b>	<b>Cable Size per Phase (mm<sup>2</sup>)</b>	<b>PE Cable Size (mm<sup>2</sup>)</b>
Input – single mains Input – dual mains	NSX250F TM200D 4P C65H-D-4P-50A/C60H-D-4P-50A	35 10	10
Bypass	NSX250F TM200D-3P	35	10
Output	C65N-B-2P-32A/ C60N-B-2P-32A	35	10

**30 kVA UPS**

	<b>Breaker</b>	<b>Cable Size per Phase (mm<sup>2</sup>)</b>	<b>PE Cable Size (mm<sup>2</sup>)</b>
Input – single mains Input – dual mains	NSX250F TM250D 4P C120H-D-4P-80A	50 16	16
Bypass	NSX250F TM250D-3P	50	16
Output	C65N-B-2P-50A/ C60N-B-2P-50A	50	16

## Recommended Bolts and Cable Lugs

Cable Size (mm <sup>2</sup> )	Bolt Size	Cable Lug Type
6	M5	KST TLK6-5
8	M5	KST RNBS8-5
10	M6	KST TLK10-6
16	M6	KST TLK16-6
25	M6	KST DRNB6-25
35	M6	KST TLK35-6
50	M8	KST TLK50-8

## Torque Specifications

Bolt Size	Torque
M5	4 Nm
M6	5 Nm
M8	12 Nm

## Weights and Dimensions

UPS	Weight kg	Height mm	Width mm	Depth mm
10 kVA 3:1 UPS with internal batteries	130 <sup>2</sup>	1400	380	907
15 kVA 3:1 UPS with internal batteries	130 <sup>2</sup>	1400	380	907
20 kVA 3:1 UPS with internal batteries	150 <sup>2</sup>	1400	380	907
30 kVA 3:1 UPS with internal batteries	185 <sup>2</sup>	1400	500	996
Battery	27	157	107	760

## Shipping Weights and Dimensions

UPS	Weight kg	Height mm	Width mm	Depth mm
10 kVA 3:1 UPS with internal batteries	145 <sup>2</sup>	1640	563	1014
15 kVA 3:1 UPS with internal batteries	145 <sup>2</sup>	1640	563	1014
20 kVA 3:1 UPS with internal batteries	158 <sup>2</sup>	1640	563	1014
30 kVA 3:1 UPS with internal batteries	185 <sup>2</sup>	1640	683	1114
Battery	28	180	140	820

2. Weight without batteries.

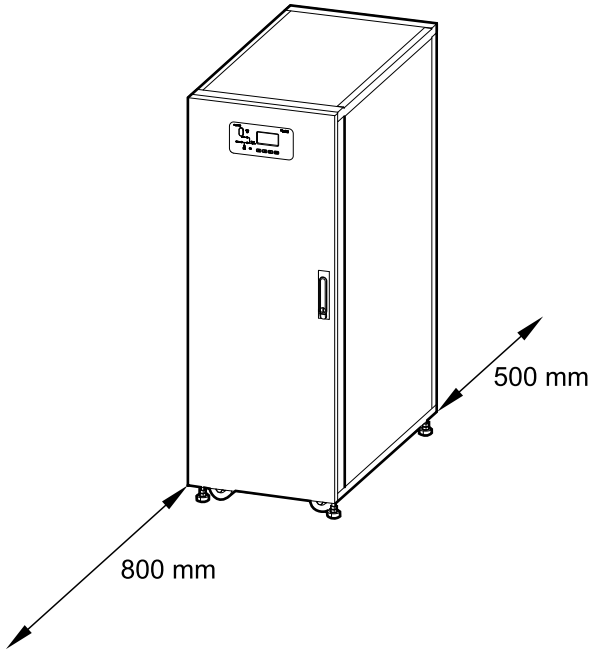
## Clearance

**NOTE:** Clearance dimensions are published for airflow and service access only. Consult with the local safety codes and standards for additional requirements in your local area.

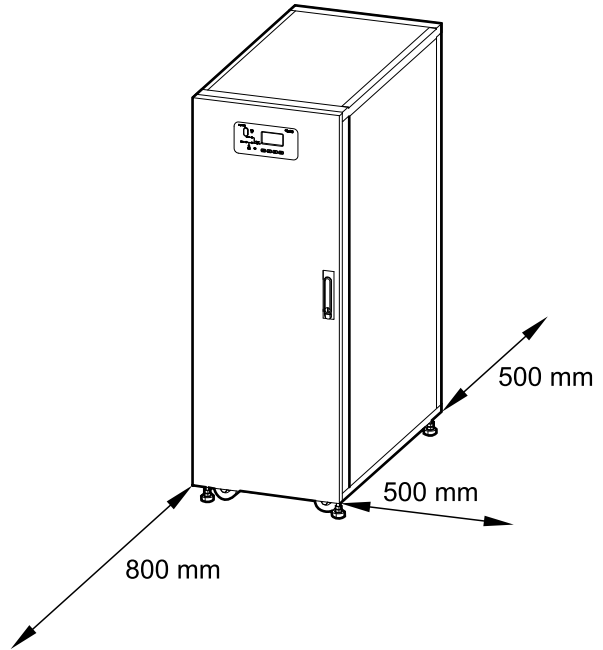
**NOTE:** If the UPS is installed without side access, the length of the cables connected to the UPS must allow for rolling out the UPS.

### UPS with Internal Batteries

Option A



Option B



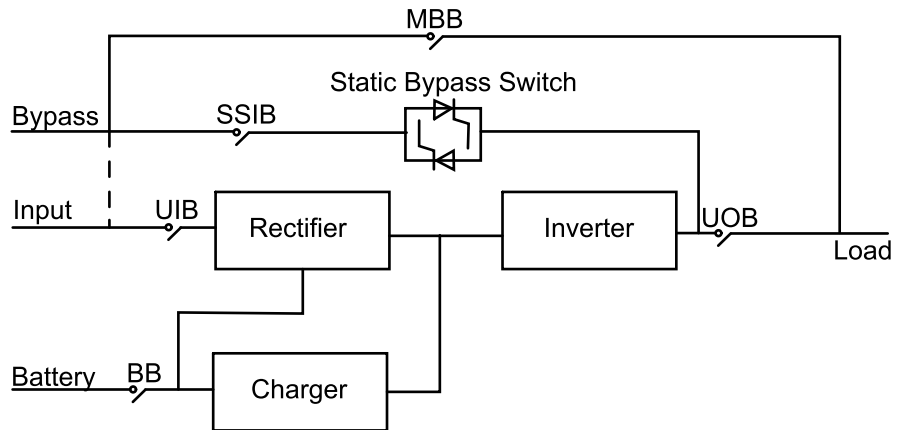
## Environmental

	Operation	Storage
Temperature	0 °C to 40 °C <sup>3</sup>	-15 °C to 40 °C for systems with batteries -25 °C to 55 °C for systems without batteries
Relative humidity	0–95% non-condensing	
Elevation derating according to IEC 62040–3	1000 m: 1.000 1500 m: 0.975 2000 m: 0.950	< 15000 m above sea level (or in an environment with equivalent air pressure)
Audible noise	10–20 kVA: <60 dBA at full load 30–40 kVA: <63 dBA at full load	
Protection class	IP20 (dust filter as standard)	
Color	RAL 9003	

3. The optimal operation temperature for batteries is 20 °C to 25 °C

# Overview

## Overview of Single UPS

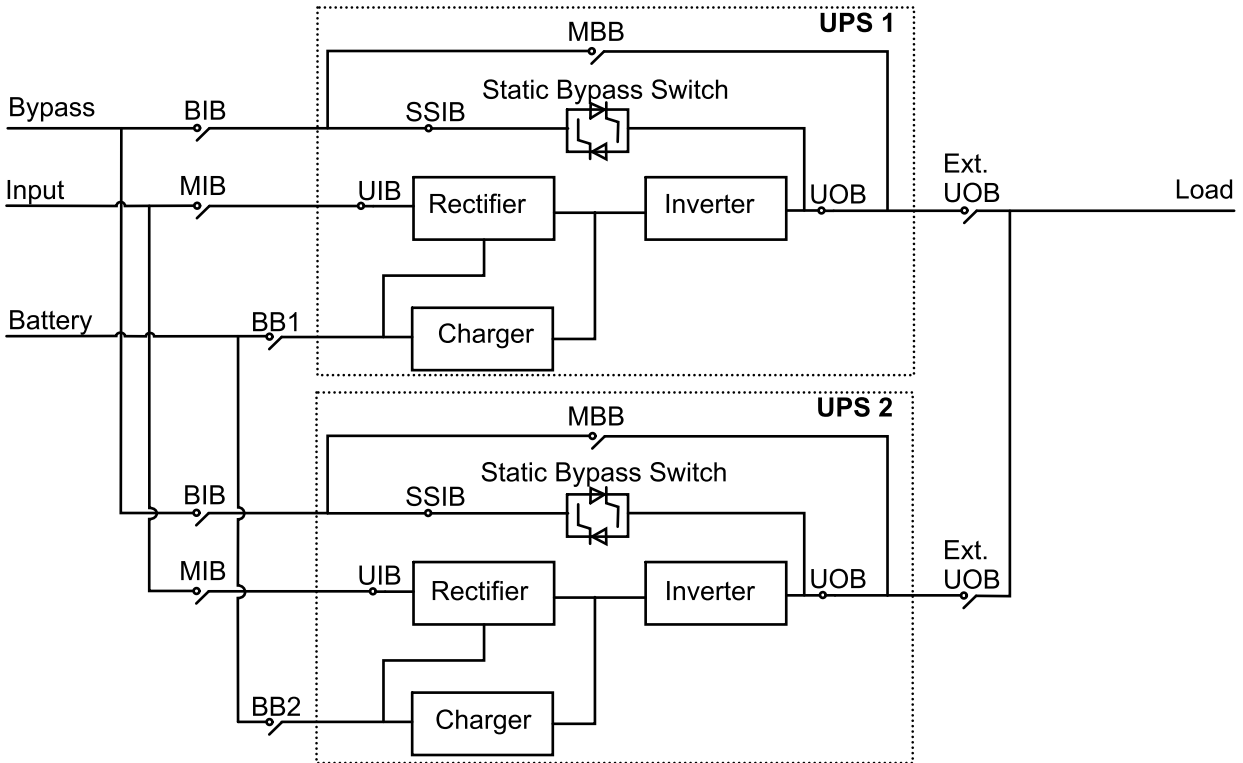


UIB	Unit input breaker
SSIB	Static switch input breaker
UOB	Unit output breaker
MBB	Maintenance bypass breaker
BB	Battery breaker



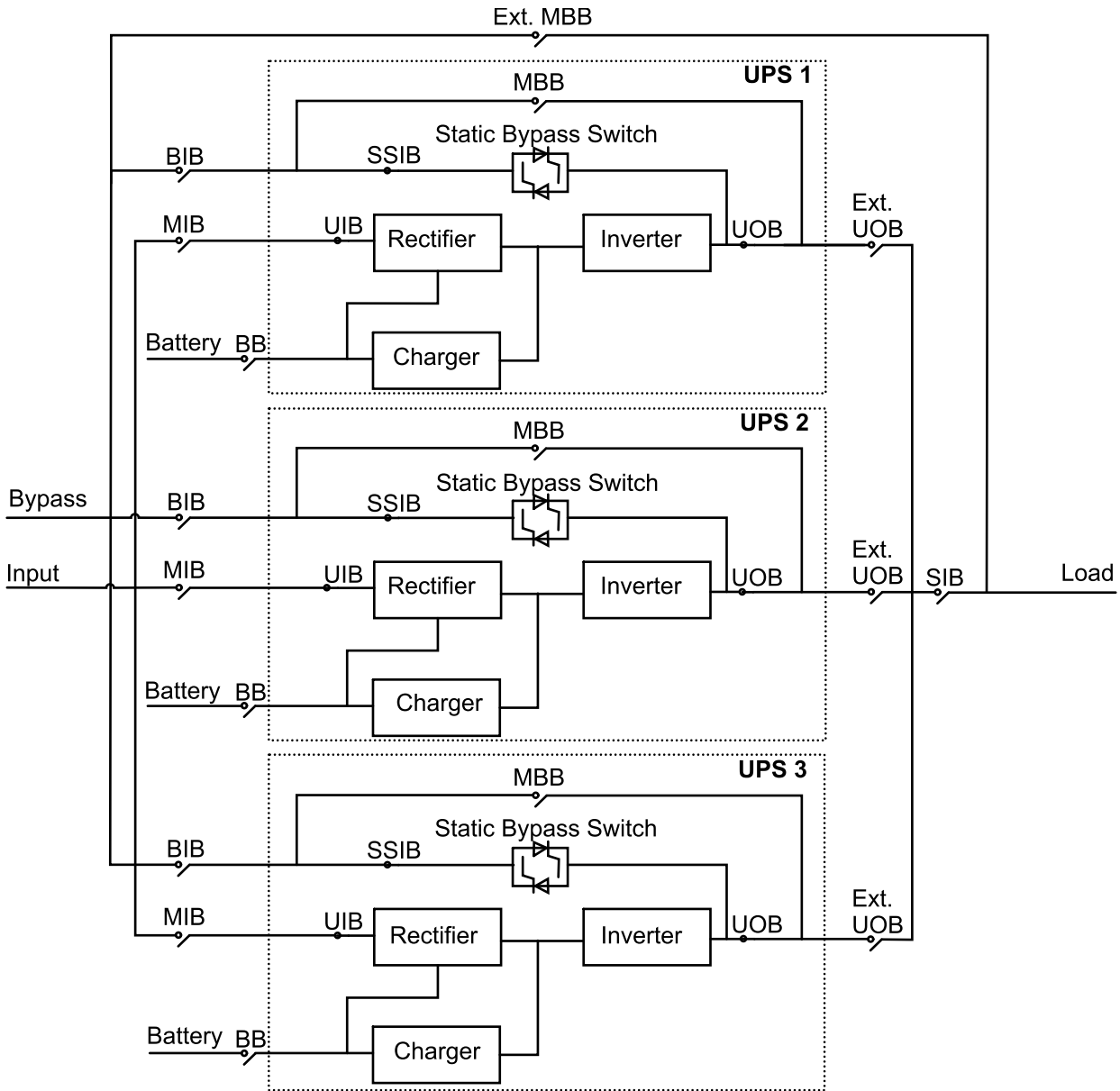
# Overview of 1+1 Redundant Parallel System with Common Battery Bank

**NOTE:** For UPS with internal batteries, the batteries must be removed and the internal battery breaker (BB) must be opened.



MIB	Mains input breaker
BIB	Bypass input breaker
UIB	Unit input breaker
SSIB	Static switch input breaker
UOB	Unit output breaker
Ext. UOB	External unit output breaker
MBB	Maintenance bypass breaker
Ext. MBB	External maintenance bypass breaker
BB1	Battery breaker 1
BB2	Battery breaker 2

# Overview of Parallel System



MIB	Mains input breaker
BIB	Bypass input breaker
UIB	Unit input breaker
SSIB	Static switch input breaker
UOB	Unit output breaker
Ext. UOB	External unit output breaker
MBB	Maintenance bypass breaker
Ext. MBB	External maintenance bypass breaker
SIB	System isolation breaker
BB	Battery breaker

# Receiving

## External Inspection

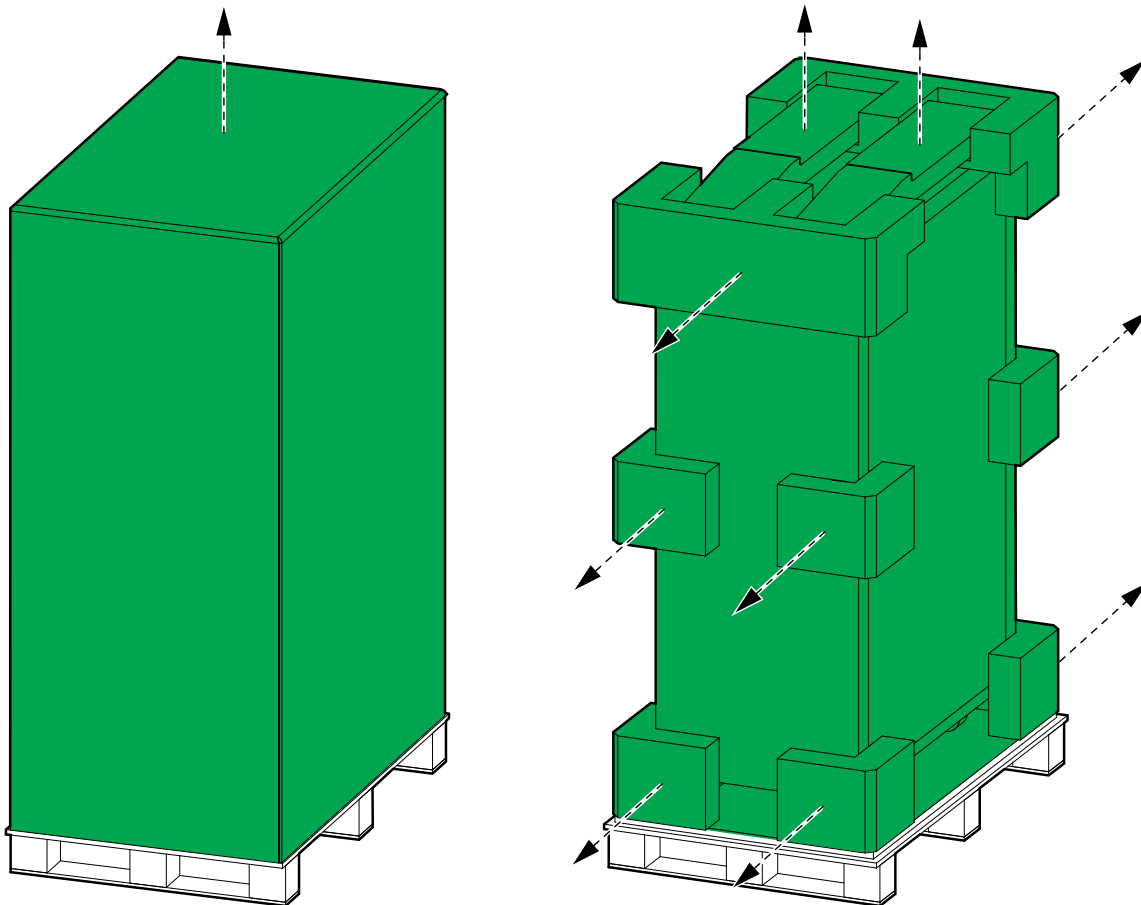
When the shipment arrives, inspect the shipping material for any signs of damage or mishandling. Check tilt and impact indicators. Do not attempt to install the system if a damage is apparent. If any damage is noted, contact Schneider Electric and file a damage claim with the shipping agency within 24 hours.

Compare the components of the shipment with the bill of lading. Report any missing items to the carrier and to Schneider Electric immediately.

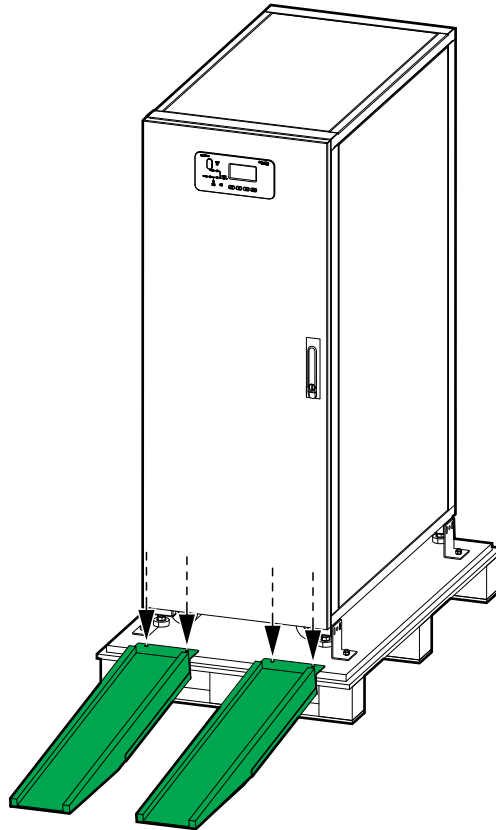
Verify that labelled units match the order confirmation.

## Remove the UPS from the Pallet

1. Move the UPS to the final installation area using a forklift.
2. Remove the shipping materials and the ramp from the UPS.



3. Place the ramp on the pallet and fasten with the provided bolts.

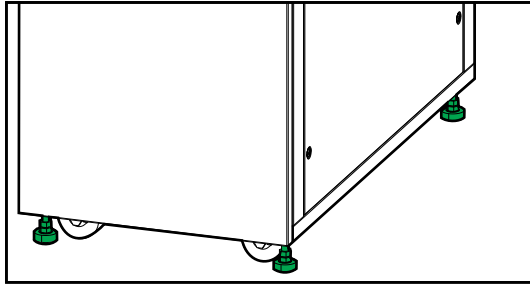


4. Loosen the bolts and remove the shipping brackets. Dispose of the shipping brackets.



5. Roll the UPS down from the pallet.

6. Move the UPS to its final location and use a wrench to lower the levelling feet. Ensure that the cabinet is level.

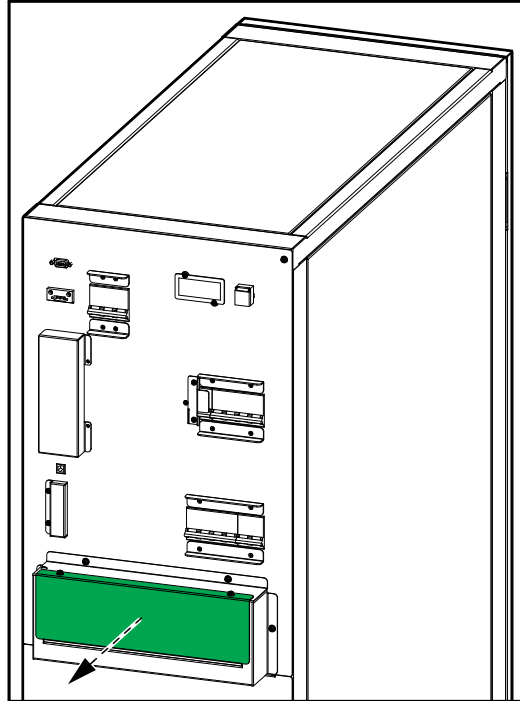


# Connect the Power Cables

## Connect the Power Cables in the 10–15 kVA UPS

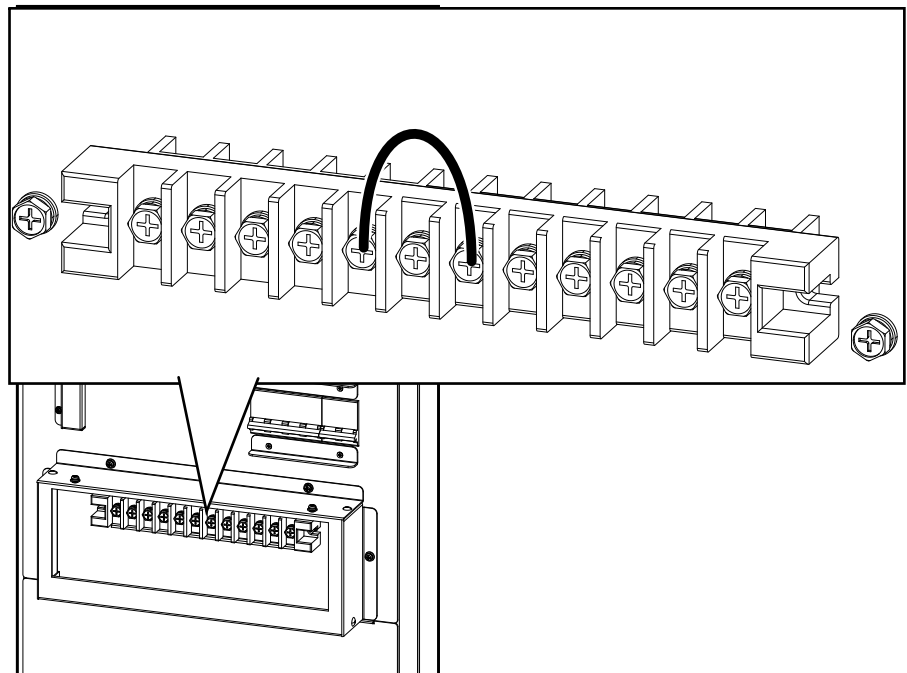
1. Ensure that all breakers are in the OFF (open) position.
2. Remove the conduit box cover.

### Rear View of the 10–15 kVA UPS



3. In dual mains systems, remove the single mains cable.

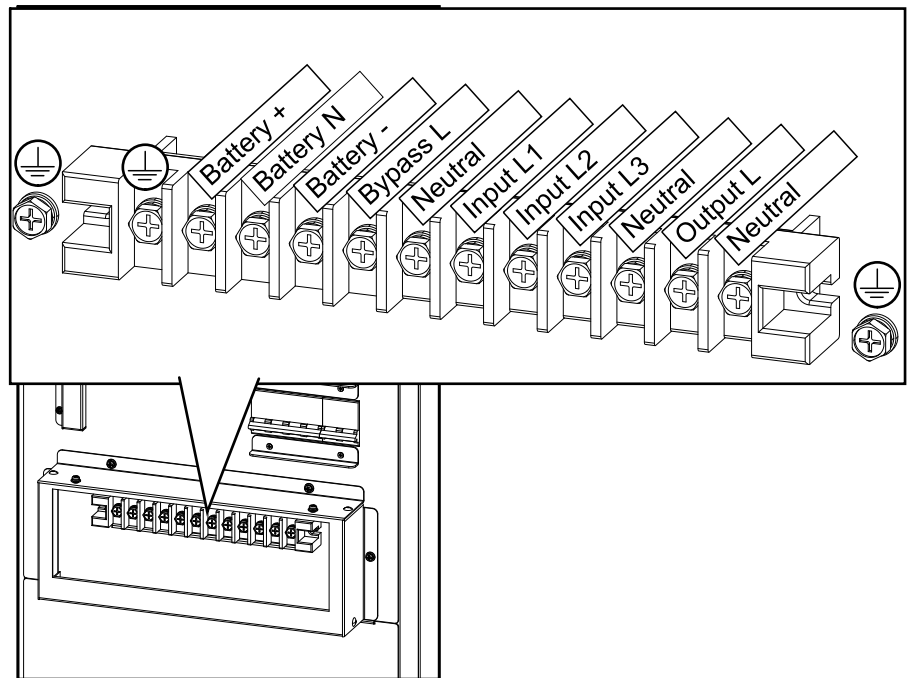
### Rear View of the 10–15 kVA UPS



4. Route the power cables through the bottom of the conduit box.

5. Connect the PE cable to the PE terminal.

#### Rear View of the 10–15 kVA UPS



6. Connect the input cables, output cables, and bypass cables (if applicable).
7. Connect the battery cables if the UPS should have external batteries for extended runtime.

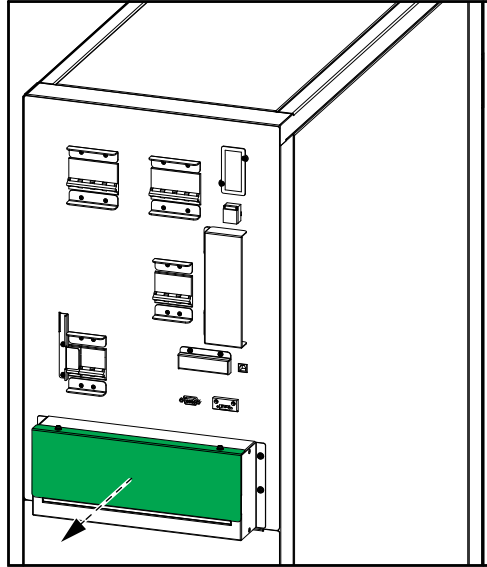
**NOTE:** Ensure that the type and number of blocks are the same as the internal batteries.

8. Reinstall the conduit box cover.

## Connect the Power Cables in the 20 kVA UPS

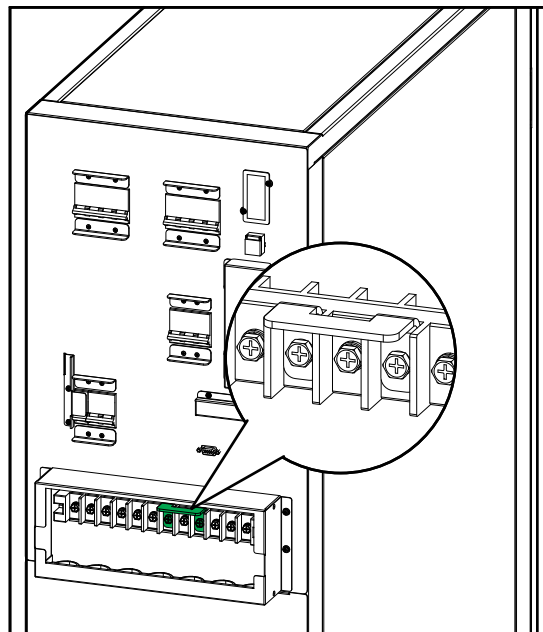
1. Ensure that all breakers are in the OFF (open) position.
2. Remove the conduit box cover.

### Rear View of the 20 kVA UPS



3. In dual mains systems, remove the single mains bracket.

### Rear View of the 20 kVA UPS

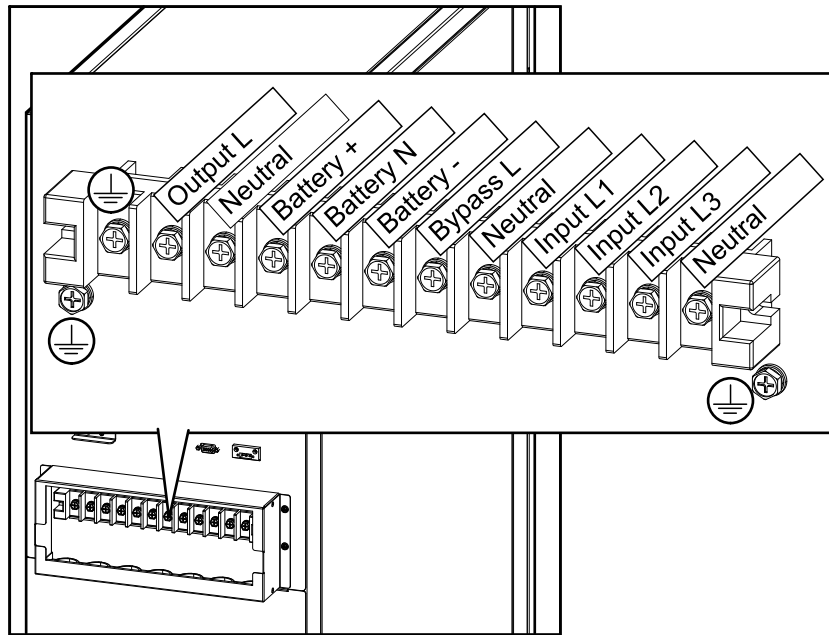


4. Route the power cables through the bottom of the conduit box.



5. Connect the PE cable to the PE terminal.

### Rear View of the 20 kVA UPS



6. Connect the input cables, output cables, and bypass cables (if applicable).
7. Connect the battery cables if the UPS should have external batteries for extended runtime.

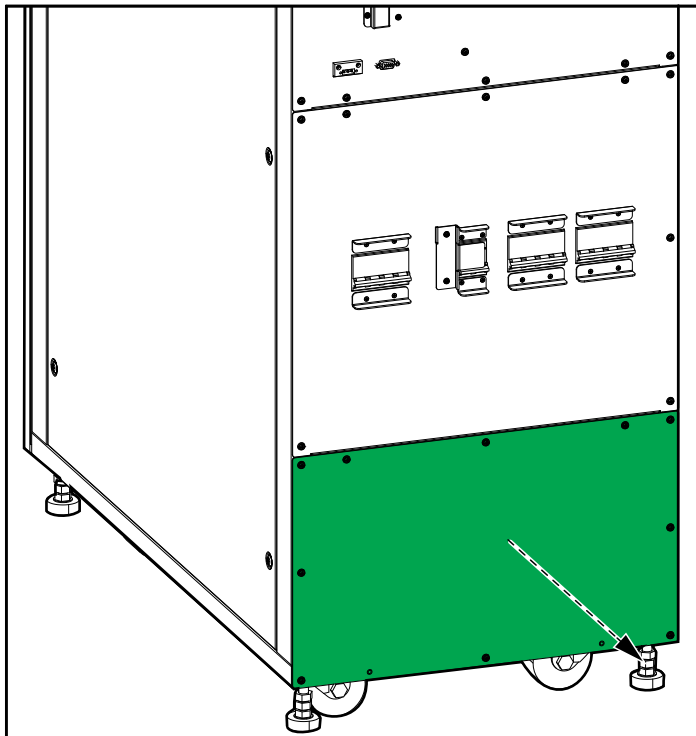
**NOTE:** Ensure that the type and number of blocks are the same as the internal batteries.

8. Reinstall the conduit box cover.

## Connect the Power Cables in the 30 kVA UPS

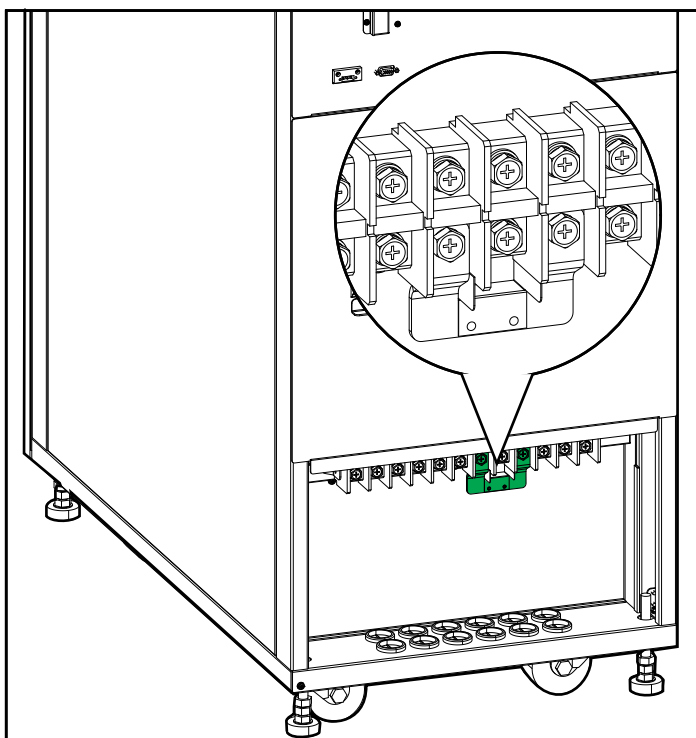
1. Ensure that all breakers are in the OFF (open) position.
2. Remove the lower plate.

### Rear View of the 30 kVA UPS



3. In dual mains systems, remove the single mains bracket.

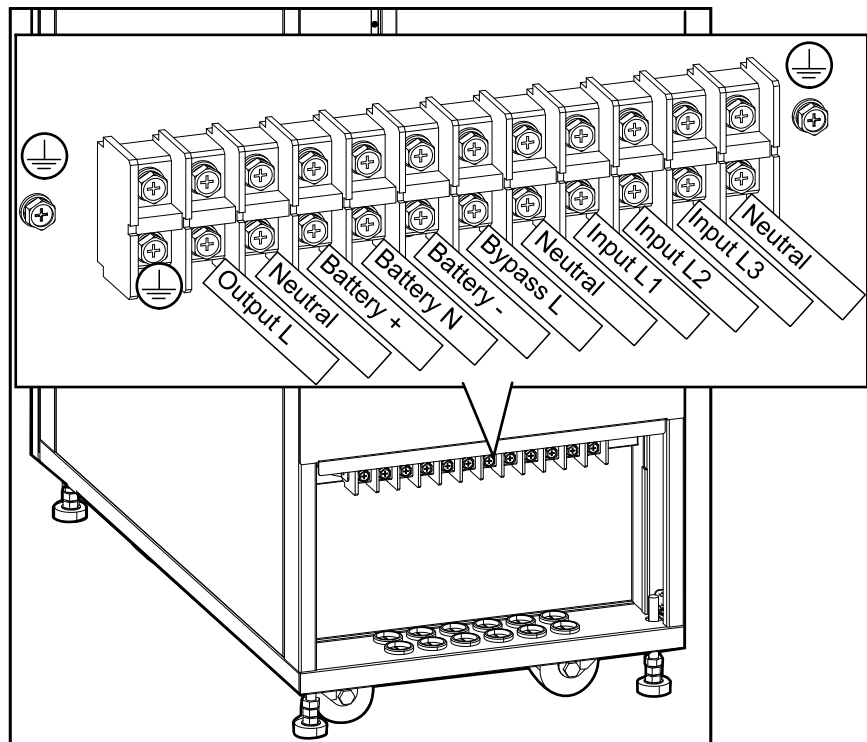
### Rear View of the 30 kVA UPS



4. Route the power cables through the bottom of the UPS.

5. Connect the PE cable to the PE busbar.

### Rear View of the 30 kVA UPS



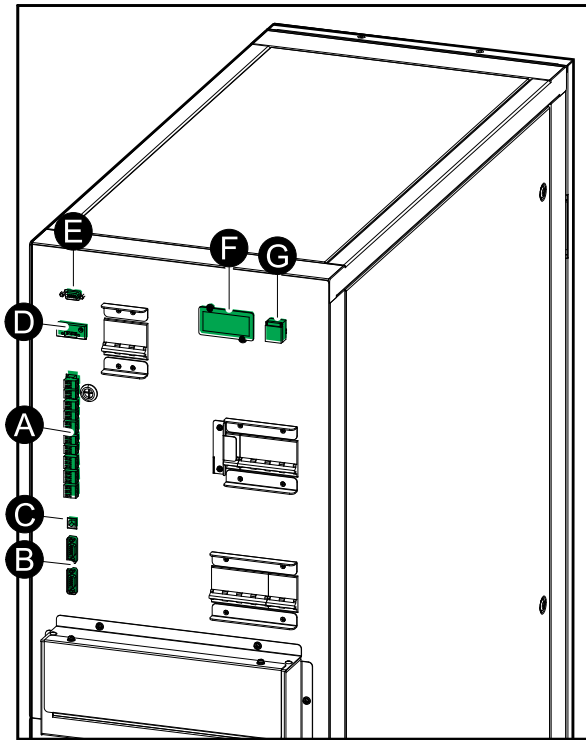
6. Connect the input cables, output cables, and bypass cables (if applicable).
7. Connect the battery cables if the UPS should have external batteries for extended runtime.  
**NOTE:** Ensure that the type and number of blocks are the same as the internal batteries.
8. Reinstall the lower plate.

# Communication Interfaces

**NOTE:** Route the signal cables separately from the power cables.

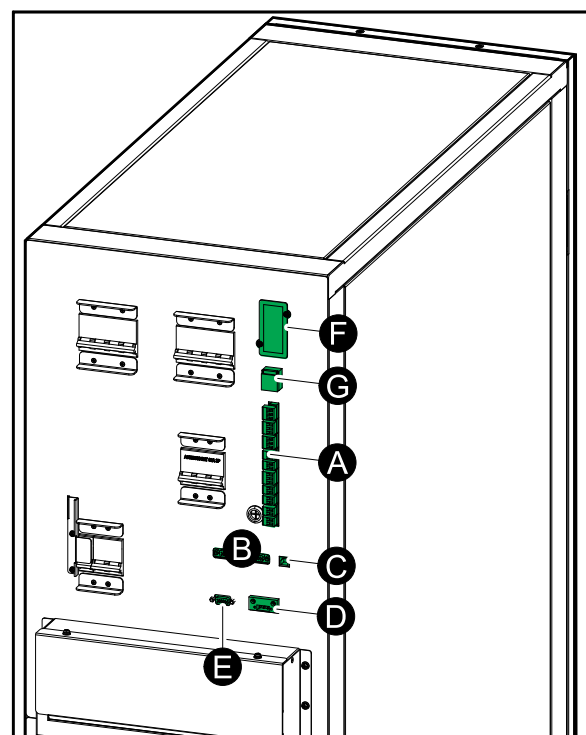
## 10–15 kVA UPS

- A. Dry contacts
- B. Parallel ports
- C. USB (for service)
- D. RS485
- E. RS232 (for service)
- F. Slot for optional SNMP
- G. Cold start (optional)



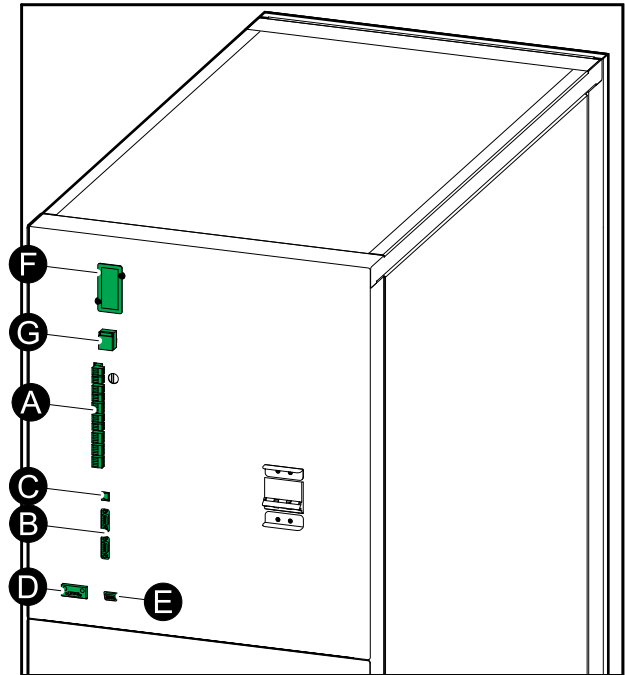
## 20 kVA UPS

- A. Dry contacts
- B. Parallel ports
- C. USB (for service)
- D. RS485
- E. RS232 (for service)
- F. Slot for optional SNMP
- G. Cold start (optional)

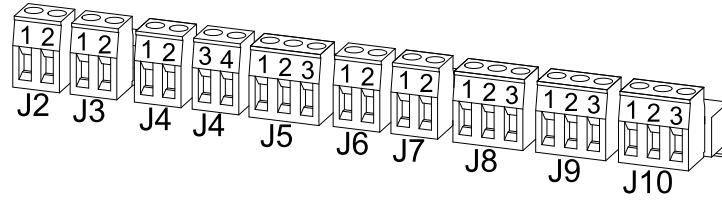


## 30 kVA UPS

- A. Dry contacts
- B. Parallel ports
- C. USB (for service)
- D. RS485
- E. RS232 (for service)
- F. Slot for optional SNMP
- G. Cold start (optional)



# Input Contacts and Output Relays

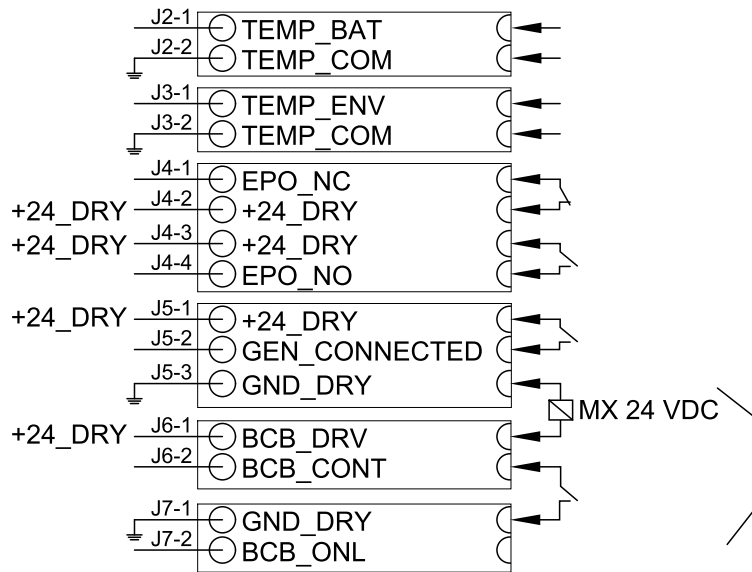


## Input Contacts

**NOTE:** J2 is reserved for the internal battery temperature sensor which is installed from factory.

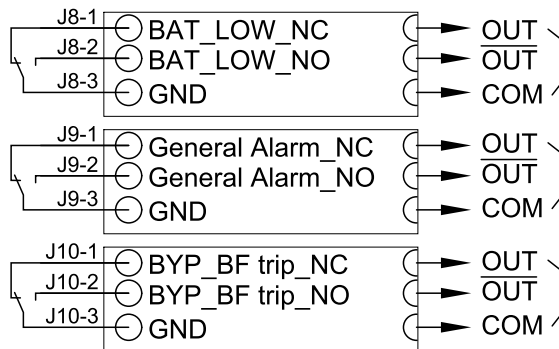
Input connections are considered Class 2/SELV.

### Input Contacts for UPSs with Batteries



## Output Relays

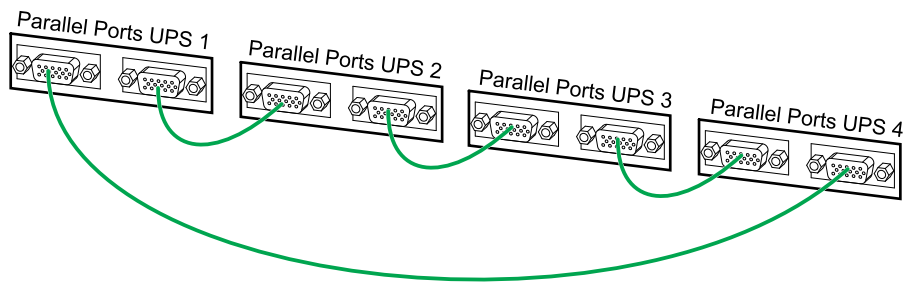
Output relay connection: Maximum 3A/240 VAC.



## Connect the Signal Cables in Parallel Systems

1. Connect the optional parallel cables between all the UPSs of the parallel system.

**NOTE:** See *Communication Interfaces*, page 28 for location of parallel ports.



## Backfeed Protection

### ⚠ DANGER

#### HAZARD OF ELECTRIC SHOCK, EXPLOSION, OR ARC FLASH

In systems where backfeed protection is not part of the standard design, an automatic isolation device (backfeed protection option or other device meeting the requirements of IEC/EN 62040–1) must be installed to prevent hazardous voltage or energy at the input terminals of the isolation device. The device must open within 15 seconds after the upstream power supply fails and must be rated according to the specifications.

**Failure to follow these instructions will result in death or serious injury.**

When the UPS input is connected through external isolators that, when opened, isolate the neutral or when the automatic backfeed isolation is provided external to the equipment or is connected to an IT power distribution system, a label must be fitted at the UPS input terminals, and on all primary power isolators installed remote from the UPS area and on external access points between such isolators and the UPS, by the user, displaying the following text (or equivalent in a language which is acceptable in the country in which the UPS system is installed):

### ⚠ DANGER

#### HAZARD OF ELECTRIC SHOCK, EXPLOSION, OR ARC FLASH

Risk of Voltage Backfeed. Before working on this circuit: Isolate the UPS and check for hazardous voltage between all terminals including the protective earth.

**Failure to follow these instructions will result in death or serious injury.**

An additional external isolation device must be installed in the UPS system. A magnetic contactor or a circuit breaker with UVR (Under Voltage Release) functionality can be used for this purpose. In the shown examples, the isolation device is a magnetic contactor (marked with a **C1** for single mains systems and marked with a **C1** and **C2** for dual mains systems).

The isolation device must be able to withstand the electrical characteristics as described in *Input Specifications*, page 11.

**NOTE:** The 24 V source should be generated from the input source in single mains configurations and from the both the input and bypass source in dual mains configurations.

**NOTE:** The examples shown in the backfeed protection instructions are for TN earthing systems. For other earthing systems, the external isolation device schematics are similar. In case of an IT earthing system installation, where the upstream protection is a 4–pole device, the external isolation device must also be 4–pole.

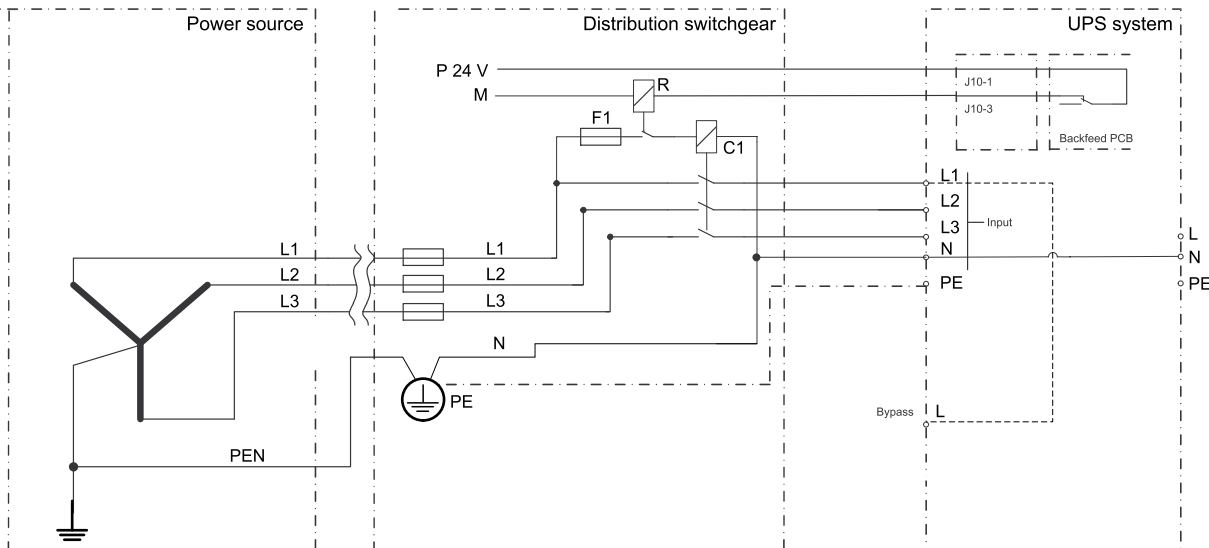
## Install External Backfeed Protection in a Single Mains System

1. Connect the UPS backfeed dry contact J10-1 to an external +24 VDC supply pole "+". Route the cable with the other signal cables.
2. Connect the UPS backfeed dry contact J10-3 to a terminal of the relay R coil. Route the cable with the other signal cables.
3. Connect the other terminal of the relay R coil to a +24 VDC supply pole "-"(M).
4. Serial-connect the fuse (F1), the auxiliary contact of relay R, and the coil of C1 as shown in the illustration below.



5. Connect C1 (L1, L2, L3) to UPS input (L1, L2, L3) as shown in the illustration below.
6. Connect C1 (L1, L2, L3) to input (L1, L2, L3) in the distribution switchgear as shown in the illustration below.
7. In TN-C-S systems only: Connect UPS input (N) to PE in the distribution switchgear, and connect PE in the distribution switchgear to PE in the UPS.

### Single Mains UPS and External Isolation Device

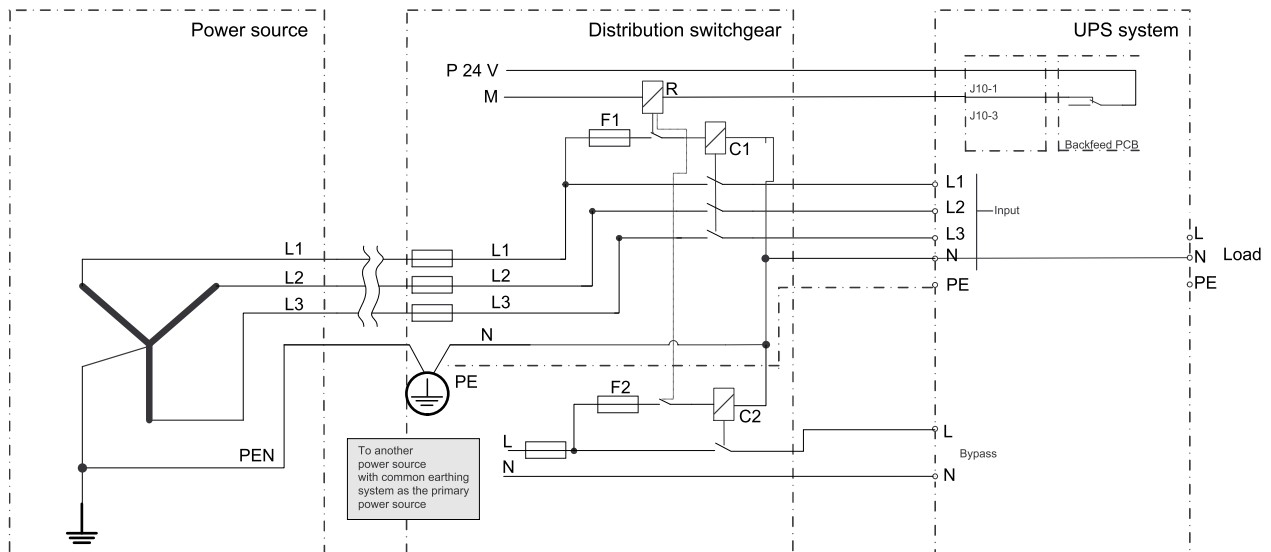


## Install External Backfeed Protection in a Dual Mains System

1. Connect the UPS backfeed dry contact J10-1 to an external +24 VDC supply pole "+". Route the cable with the other signal cables.
2. Connect the UPS backfeed dry contact J10-3 to a terminal of the relay R coil. Route the cable with the other signal cables.
3. Connect the other terminal of the relay R coil to a +24 VDC supply pole "-" (M).
4. Serial-connect fuse F1, the auxiliary contact of relay R, and the coil of C1 as shown in the illustration below.
5. Connect C1 (L1, L2, L3) to UPS input (L1, L2, L3) as shown in the illustration below.
6. Connect C1 (L1, L2, L3) to input (L1, L2, L3) in the distribution switchgear as shown in the illustration below.
7. In TN-C-S systems only: Connect UPS input (N) to PE in the distribution switchgear, and connect PE in the distribution switchgear to PE in the UPS.
8. Connect the other fuse F2, the other auxiliary contact of relay R, and the coil of C2 as shown in the illustration below.
9. Connect C2 (L) with UPS bypass input (L) as shown in the illustration below.
10. Connect C1 (L1, L2, L3) with the input feeding (L1, L2, L3) in the distribution switchgear as shown in the illustration below.

- Connect bypass input (N) with mains feeding (N) in the distribution switchgear.

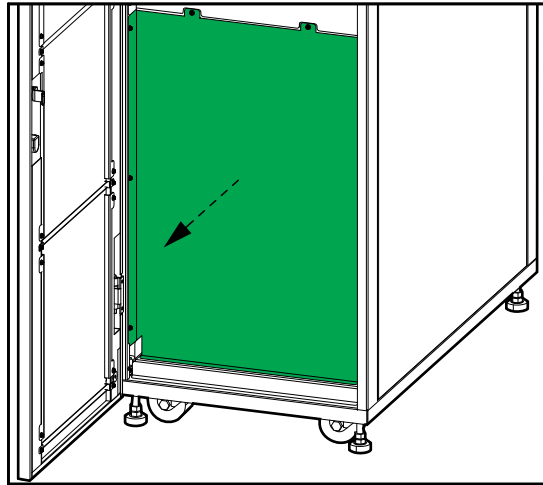
### Dual Mains UPS and External Isolation Device



# Install Batteries in the UPS

1. Remove the plate in front of the battery shelves.

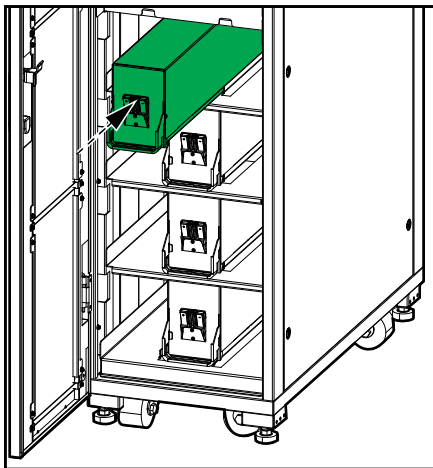
Front View of the 30 kVA UPS



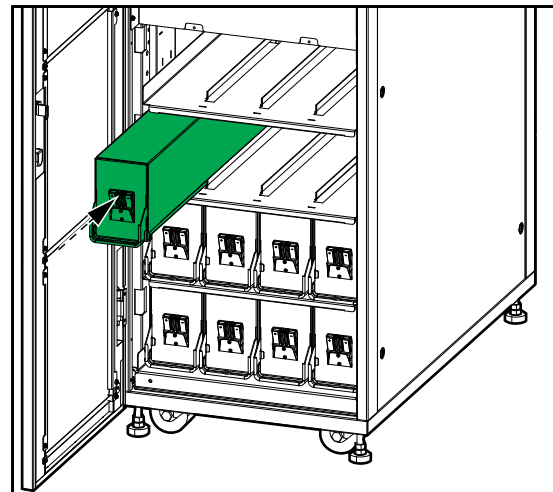
2. Install the batteries one string at a time and from the bottom and up.

**NOTE:** For 10–20 kVA UPSs the battery strings are vertical and for 30 UPSs the battery strings are horizontal. If the 10–20 kVA UPS contains one battery string, the batteries should be placed in the middle. If the 10–20 kVA UPS contains two battery strings, the batteries should be installed in the left and right sides.

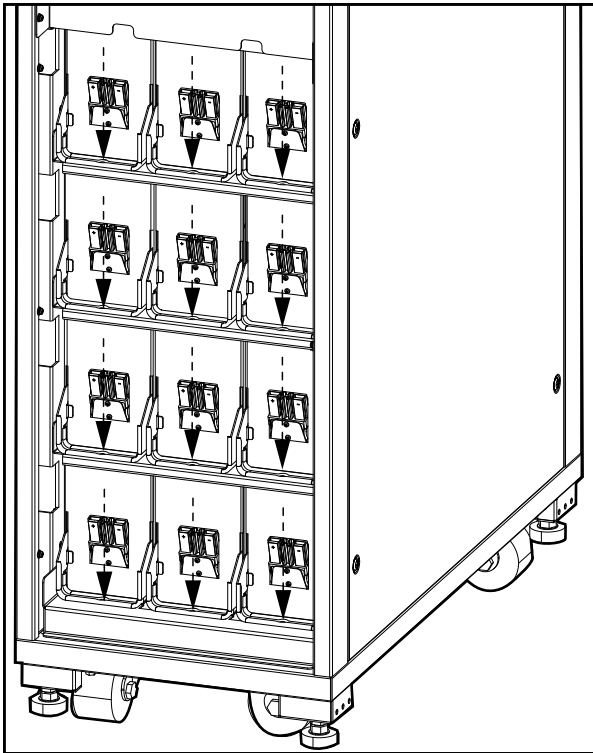
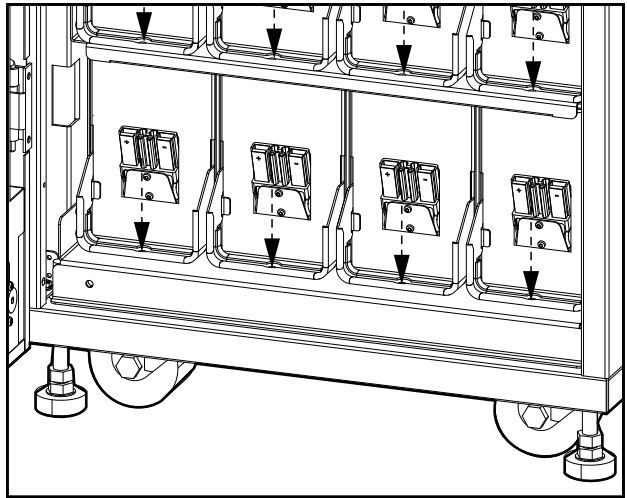
Front View of the 10–20 kVA UPS



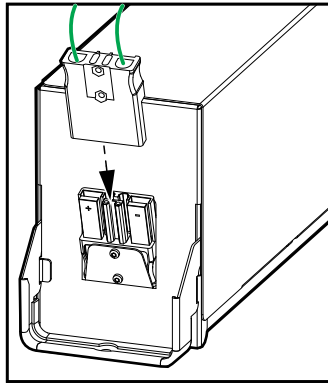
Front View of the 30 kVA UPS



3. Fasten the batteries with a screw on the front of the battery.

**Front View of the 10–20 kVA UPS****Front View of the 30 kVA UPS**

4. Remove the shrink tubes from the power terminals and connect the power terminals to the batteries.



5. Reinstall the plate in front of the battery shelves.

# Installation Checklist

- The UPS and batteries are free of damage.
- The UPS has been installed in a temperature controlled indoor environment free of conductive contaminants.
- The UPS has been installed on a non-flammable, level and solid surface that can support the weight of the cabinet.
- Upstream protection is installed according to *Required Upstream and Downstream Protection and Cable Sizes, page 12* and local regulations.
- Power cables have been connected according to the procedures in this manual.
- Signal cables have been connected according to the procedures in this manual.
- Battery cables have been connected according to the procedures in this manual.
- All protection covers have been installed.





Schneider Electric  
35 rue Joseph Monier  
92500 Rueil Malmaison  
France

+ 33 (0) 1 41 29 70 00



As standards, specifications, and design change from time to time,  
please ask for confirmation of the information given in this publication.

© 2018 – 2019 Schneider Electric. All rights reserved.

990-91189B-001