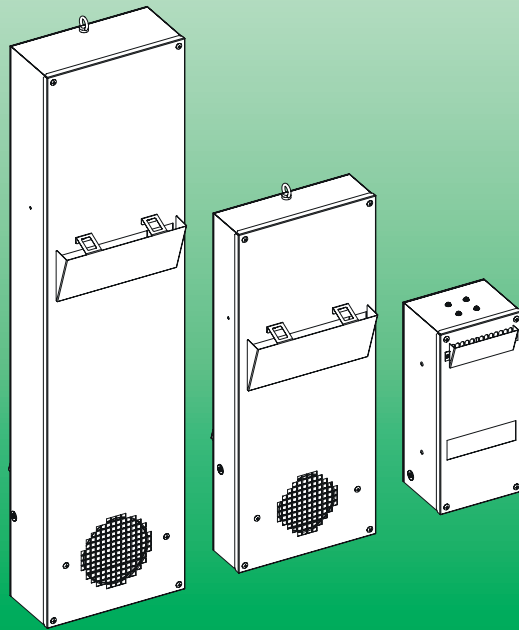


**Air/air heat exchanger for electrical enclosures**  
**Échangeur de chaleur air/air pour armoires de commande**  
**Aria/aria scambiatore di calore per apparecchiature di comando**  
**Luft/luft-Wärmetauscher für schaltvorrichtungen**  
**Intercambiador de calor aire/aire para armarios eléctricos**  
**电气机箱空气/空气热交换器**  
**Воздуховоздушный теплообменник для электрических шкафов**



NSYCEA22E  
NSYCEA36  
NSYCEA50  
NSYCEA80

ClimaSys

**⚠️ ⚠️ DANGER / DANGER / PERICOLO / GEFAHR / PELIGRO / 危險 / ОПАСНОСТЬ**

**HAZARD OF ELECTRIC SHOCK, EXPLOSION OR ARC FLASH**

- Apply appropriate personal protective equipment (PPE) and follow safe electrical work practices. See NFPA 70E.
  - This equipment must only be installed and serviced by qualified electrical personnel.
  - Turn off all power supplying this equipment before working on or inside equipment.
  - Always use a properly rated voltage sensing device to confirm power is off.
  - Replace all devices, doors and covers before turning on power to this equipment.
- Failure to follow these instructions will result in death or serious injury.**

**RISQUE DE CHOC ÉLECTRIQUE, D'EXPLOSION OU D'ARC ÉLECTRIQUE**

- Utilisez un équipement de protection personnelle (PPE) approprié et pour votre sécurité suivez strictement les instructions du travail électrique. Consultez la NFPA 70E.
  - L'installation et l'entretien de cet équipement doivent uniquement être effectués par le personnel qualifié pour les équipements électriques.
  - Éteignez toutes les sources d'énergie de cet équipement avant de travailler en équipe ou à l'intérieur.
  - Utilisez toujours un voltmètre correctement calibré pour confirmer qu'il est éteint.
  - Remettez en place tous les dispositifs, portes et couvercles avant d'allumer cet équipement.
- Le non-respect de ces instructions provoquera la mort ou des blessures graves.**

**RISCHIO DI SCARICA ELETTRICA, ESPLOSIONE O ARCO ELETTRICO**

- Utilizzate un'attrezzatura di protezione personale (APP) idonea e seguite le procedure sicure nei lavori elettrici. Consultate la NFPA 70E.
  - L'installazione e la manutenzione di queste attrezzature devono essere eseguite solo da personale qualificato nei lavori in attrezzature elettriche.
  - Spegnete tutte le sorgenti d'energia di quest'attrezzatura prima di eseguire lavori con essa o nel suo interno.
  - Utilizzate sempre un voltmetro correttamente calibrato per confermare che è spenta.
  - Collocate di nuovo tutti i dispositivi, porte e coperture prima dell'avvio dell'attrezzatura.
- Il mancato rispetto di queste istruzioni può causare la morte o lesioni gravi.**

**STROMSCHLAG-, EXPLOSIONS- ODER LICHTBOGENFAHR**

- Eine geeignete Persönliche Schutzausrüstung (PSA) verwenden und sichere Praktiken für elektrische Arbeiten anwenden. Siehe NFPA 70E.
  - Die Installation und Wartung dieses Geräts darf nur von qualifizierten Mitarbeitern für elektrische Geräte durchgeführt werden.
  - Vor Arbeiten am Gerät oder im Innern des Geräts alle Energiequellen vom Gerät trennen.
  - Mit einem korrekt kalibrierten Spannungsmesser bestätigen, dass das Gerät ausgeschaltet ist.
  - Vor dem erneuten Einschalten des Geräts alle Vorrichtungen, Klappen und Abdeckungen wieder anbringen.
- Die Nichteinhaltung dieser Anleitungen kann den Tod oder schwerwiegende Verletzungen hervorrufen.**

**RIESGO DE DESCARGA ELÉCTRICA, EXPLOSIÓN O ARCO ELÉCTRICO**

- Utilice un equipo de protección personal (PPE) apropiado y siga las prácticas seguras de trabajo eléctrico. Consulte la NFPA 70E.
  - La instalación y el mantenimiento de este equipo lo ha de realizar únicamente personal cualificado para equipos eléctricos.
  - Apague todas las fuentes de energía de este equipo antes de trabajar en equipo o en su interior.
  - Utilice siempre un voltímetro calibrado correctamente para confirmar que está apagado.
  - Vuelva a colocar todos los dispositivos, puertas y cubiertas antes de encender este equipo.
- Su incumplimiento puede provocar muerte o lesiones graves.**

**存在电击、爆炸或电弧闪烁危险**

- 穿着适当的个人防护装具 (PPE) 并采取安全电气工作实践。请参阅 NFPA 70E。
  - 此设备仅应由具备资质的电工安装和维修。
  - 在设备上或其内部作业之前，请先关闭设备的所有电源。
  - 务必使用正确额定电压的感应设备确认电源已关闭。
  - 更换所有设备、门和盖，然后接通设备的电源。
- 若不遵守这些说明，可能会导致严重的人身伤害甚至死亡。**

**ОПАСНОСТЬ ПОРАЖЕНИЯ ЭЛЕКТРИЧЕСКИМ ТОКОМ, ВЗРЫВА ИЛИ ВСПЫШКИ ДУГИ**

- Использовать соответствующие средства индивидуальной защиты (PPE) и следовать методам безопасной работы в электрических цепях. См. стандарт по электробезопасности на рабочем месте NFPA 70E.
  - Установка и эксплуатация оборудования может выполняться только квалифицированными электриками.
  - При работе с данным оборудованием или внутри него необходимо выключить все источники питания.
  - Обязательно используйте обладающий соответствующими характеристиками датчик напряжения для проверки отключения электропитания.
  - Установить на место все устройства, двери и кожухи перед подачей напряжения на оборудование.
- Несоблюдение этих указаний приведет к смерти или серьезным травмам.**

# Contents / Sommaire / Sommario / Inhalt / Índice de contenidos / 目录 / содержание

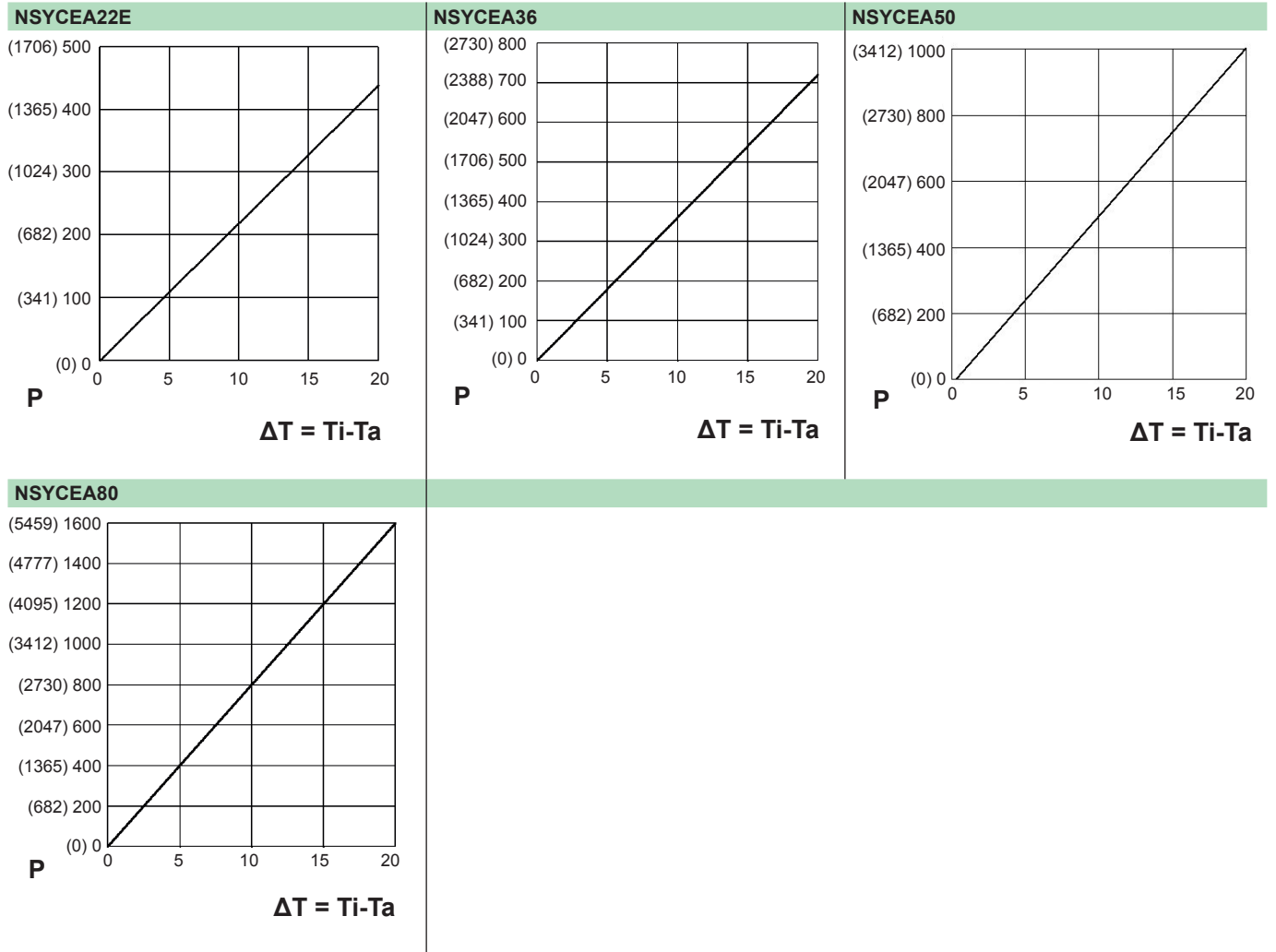
Performances / Performances / Prestazioni / Leistungen / Prestaciones / 性能 / Характеристики .....	5
Technical data / Données techniques / Dati tecnici / Technische Daten / Datos técnicos / 技术参数 / Технические данные .....	6
Dimensions / Dimensions / Dimensioni / Abmessungen / Dimensiones / 尺寸 / Размеры .....	7
Drilling templates / Gabarits de perçage / Dime di foratura / Montageausschnitte / Plantillas de perforación / 钻孔模板 / Шаблоны для сверления .....	7
Mounting precautions / Précaution de montage / Precauzioni di montaggio / Precaución de montaje / Montage Vorsorge / 安装注意 事项 / Внимание монтажа .....	9
<b>EN</b>	
Recommendations .....	10
Anomaly solution .....	12
<b>FR</b>	
Préconisations .....	13
Résolution des anomalies .....	15
<b>IT</b>	
Raccomandazioni .....	16
Risoluzione delle anomalie .....	18
<b>DE</b>	
Empfehlungen .....	19
Störungen und Lösungsvorschläge .....	21
<b>ES</b>	
Recomendaciones .....	22
Solución de las anomalías .....	24
<b>ZH</b>	
建議 .....	25
异常情况解决方法 .....	26
<b>RU</b>	
Рекомендации .....	27
Действия в нестандартных ситуациях .....	29
Wiring diagram / Schéma électrique / Schema elettrico / Anschlusschema / Esquema eléctrico / 接线图 / Монтажная схема электропроводки .....	30
Spare parts / Pièces détachées / Ricambi / Ersatzteile / Piezas de repuesto / 备件 / Запасные части .....	31
WARRANTY / GARANTIE / GARANZIA / GARANTIE / GARANTÍA / 保证 / ГАРАНТИЯ .....	32

# NSY A B C D E F G H

<b>A</b>	<b>Family Range</b>	CEA	Air Air Heat Exchange			
<b>B</b>	<b>Cover material</b>	-	Galvanized Steel Painted			
		X	Stainless Steel			
<b>C</b>	<b>Power</b>	22	22 W/°K	50	50 W/°K	
		36	36 W/°K	80	80 W/°K	
<b>D</b>	<b>Thermostat</b>	-	With Thermostat			
		E	Without Thermostat			
<b>E</b>	<b>Type of unit</b>	-	Vertical			
		H	Horizontal			
<b>F</b>	<b>Voltage</b>	-	1x230 V / 50-60 Hz			
<b>G</b>	<b>Mounting</b>	-	Side Mounting			
		R	Roof Mounting			
<b>H</b>	<b>Certification</b>	-	Without UL			
		UL	With UL			

# F1

## Performances / Performances / Prestazioni / Leistungen / Prestaciones / 性能 / Характеристики



	P (W) (Btu/h) (50/60 Hz)	ΔTa (K)	Ta (°C)	Ti (°C)
EN	Heat output	Temperature differential	Ambient temperature	Inside panel temperature
FR	Puissance thermique	Différentiel de température	Température ambiante	Température intérieure armoire
IT	Potenza termica	Differenziale di Temperatura	Temperatura ambiente	Temperatura interna quadro
DE	Wärmeleistung	Temperaturdifferenz	Temperatur der Umgebungsluft	Temperatur im Schaltschrank
ES	Potencia térmica	Diferencial de temperatura	Temperatura ambiente	Temperatura interior armario
ZH	热功率	温差	环境温度	内部平台温度
RU	Отводимая теплота	Разность температур	Температура окружающего воздуха	Внутренняя температура панели

EN	Specific heat output	Supply voltage	Dimensions (WxHxD)	Absorbed current	Pre-fuse T (1)	Absorbed power	Internal fan power	External fan power	Enclosure temperature range	Temperature control	Ambient temperature range	Protection internal circuit	Noise level	Weight	Conformity
FR	Puissance thermique spécifique	Voltage	Dimensions (LxHxP)	Courant absorbé	Dispositif de sécurité T (1)	Puissance absorbée	Débit ventilateur intérieur	Débit ventilateur extérieur	Plage de température intérieure	Régulation température	Plage de température extérieure	Protection circuit intérieur	Niveau sonore	Poids	Conformité
IT	Potenza termica specifica	Tensione alimentazione	Dimensioni (LxAxP)	Corrente assorbita	Fusibile T (1)	Potenza assorbita	Portata ventilatore interno	Portata ventilatore esterno	Campo temperatura interna	Regolazione temperatura	Campo temperatura esterna	Protezione circuito interno	Livello rumore	Peso	Conformità
DE	Spezifische Wärmeleistung	Versorgungsspannung	Abmessungen (BxHxT)	Stromaufnahme	Vorsicherung T (1)	Vertustleistung	Luftleistung Ventilator innen	Luftleistung Ventilator außen	Schalt-schranke-temperatur-bereich	Temperatur-regelung	Umgebungs-temperatur-bereich	Schutzart Innenkreislauf	Geräusch-pegel	Gewicht	Konformität
ES	Potencia térmica específica	Tensión alimentación	Dimensiones (AnxAxP)	Intensidad absorbida	Fusible T (1)	Potencia absorbida	Caudal ventilación interno	Caudal ventilación externo	Campo temperatura interior	Regulación temperatura	Campo temperatura exterior	Protección circuito interior	Nivel de ruido	Peso	Conformidad
ZH	比热功率	电源电压	尺寸 (WxHxD)	吸收电流	预备保险丝 T (1)	吸收功率	内部风扇功率	外接风扇功率	机箱温度范围	温度控制	环境温度范围	内部回路保护等级	噪声等级	重量	合规性
RU	Удельная отдаваемая теплота	Напряжение питания	Размеры (ШxВxГ)	Ток потребления	Входной предохранитель типа T (1)	Потребляемая мощность	Мощность внутреннего вентилятора	Внешнее питание вентилятора	Диапазон температур внутри кожуха изделия	Контроль температуры	Диапазон температур окружающей среды	Внутренняя цепь защиты	Уровень шума	Вес	Соответствие
NSYCEA22E	22 / 75.1	1x230 - 50/60	189x413x149	0.5	A	W / HP	m³/h	m³/h	°C / °F	-	-5 +55 / 23 +131	-	dB(A)	kg/lb	-
NSYCEA36	36 / 122.8	1x230 - 50/60	316x771x103	0.7	1	72 / 0.10	280	280	-	-	-5 +55 / 23 +131	IP55	59	7 / 15.4	CE, EAC
NSYCEA50	50 / 170.6	1x230 - 50/60	316x771x103	0.7	1	160 / 0.21	570	570	Mechanic	Mechanic	-5 +55 / 23 +131	IP55	62	10 / 22	CE, EAC
NSYCEA80	80 / 273	1x230 - 50/60	317x1260x148	1.1	2	240 / 0.3	1050	1050	Mechanic	Mechanic	-5 +55 / 23 +131	IP55	64	17 / 37.5	CE, EAC

\* 50 °C (122 °F) a 60 Hz / 50 °C (122 °F) a 60 Hz / 50 °C (122 °F) bei 60 Hz / 50 °C (122 °F) a 60 Hz / 50 °C (122 °F) при 60 Гц

(1) The fuse can be substituted by a breaker with the rated current, curve C.

(1) Le fusible peut être remplacé par un disjoncteur correctement calibré, avec courbe C.

(1) Il fusibile può essere sostituito da un sezionatore con un corrente di intervento prestabilita, curva C.

(1) Die Sicherung kann durch einen Schutzschalter mit dem Bemessungsstrom ersetzt werden, C-Kurve.

(1) El fusible puede ser sustituido por un interruptor de la corriente nominal, curva C.

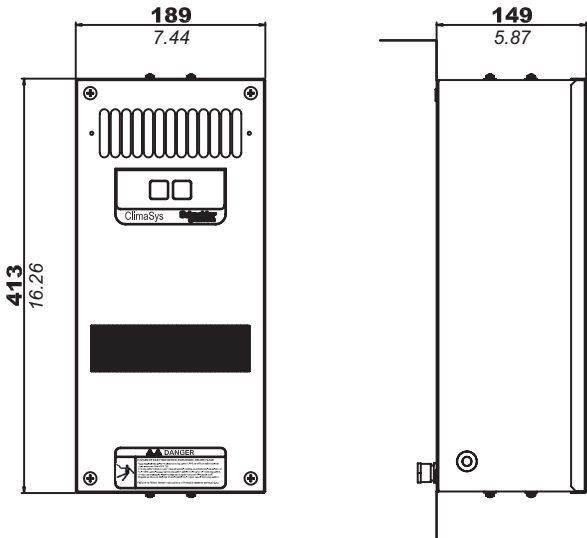
(1) 保险丝可替换为具有适当额定电流、符合特性曲线 C。

(1) Плавкий предохранитель можно заменить автоматическим выключателем на номинальную силу тока с соответствующей кривой C.

### F3

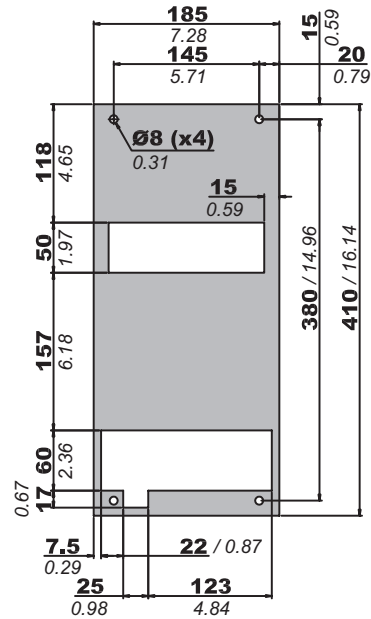
## Dimensions / Dimensions / Dimensioni / Abmessungen / Dimensiones / 尺寸 / Размеры

NSYCEA22E (mm / inch)

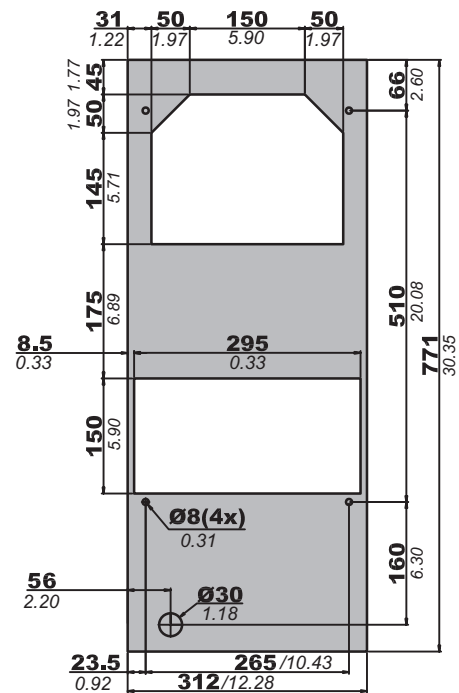
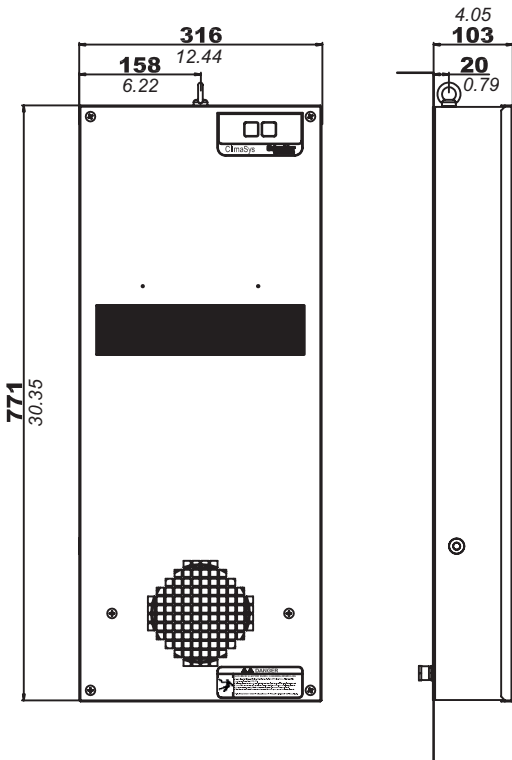


### F4

## Drilling templates / Gabarits de perçage / Dime di foratura / Montageausschnitte / Plantillas de perforación / 钻孔模板 / Шаблоны для сверления



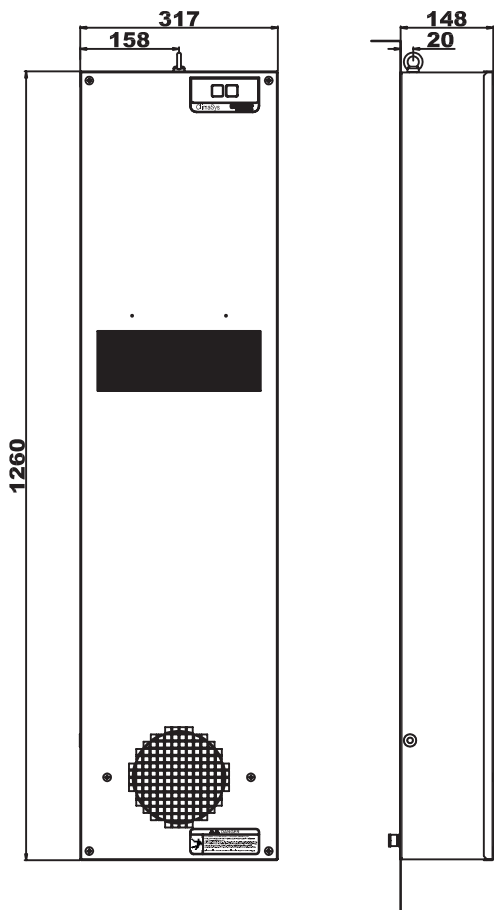
NSYCEA36 - NSYCEA50 (mm / inch)



### F3

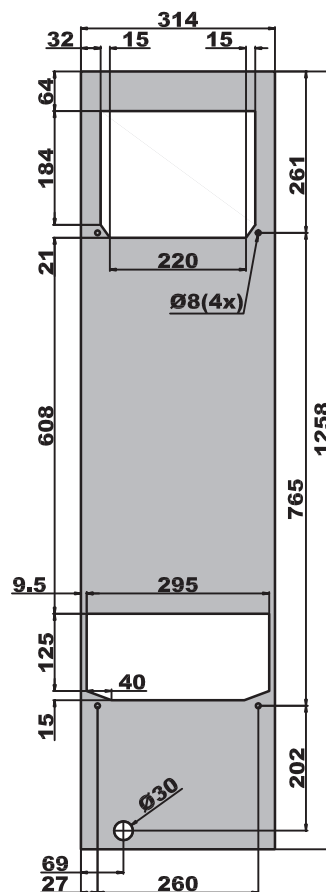
Dimensions / Dimensions /  
Dimensioni / Abmessungen /  
Dimensiones / 尺寸 / Размеры

NSYCEA80 (mm / inch)



### F4

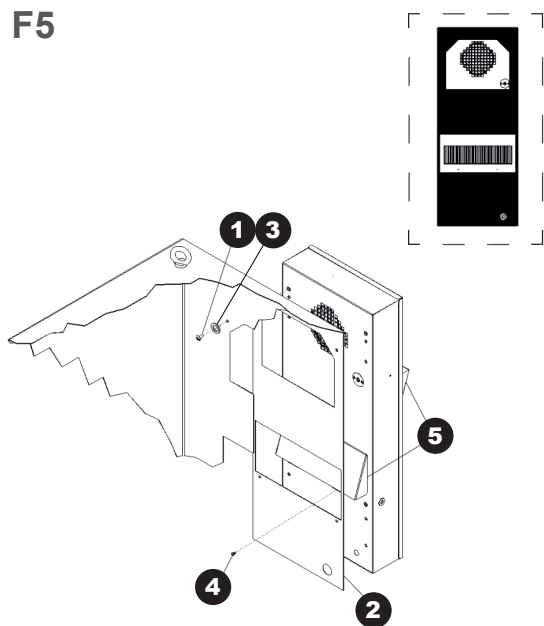
Drilling templates / Gabarits de  
perçage / Dime di foratura /  
Montageausschnitte / Plantillas de  
perforación / 钻孔模板 / Шаблоны  
для сверления



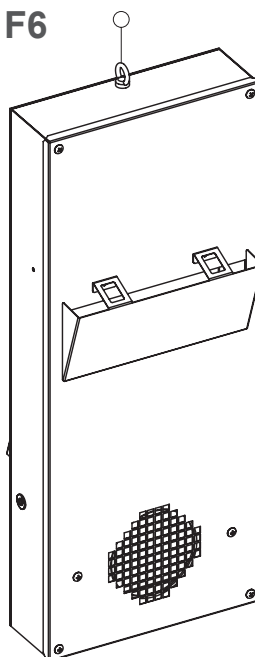


**Mounting precautions / Précaution de montage / Precauzioni di montaggio / Precaución de montaje / Montage Vorsorge / 安装注意 事项 / Внимание монтажа**

**F5**

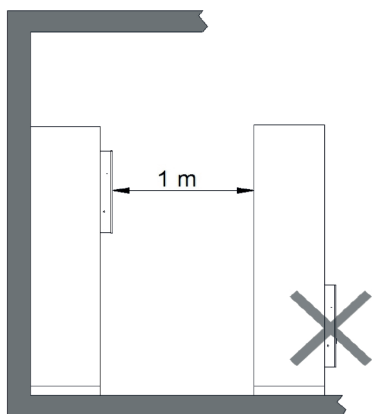


**F6**

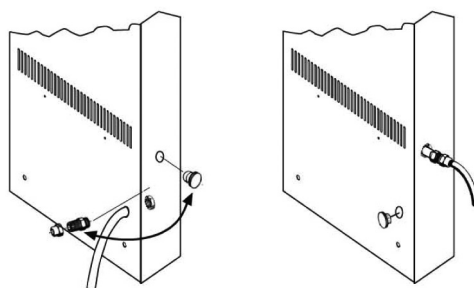


<b>M6</b>	4.3 Nm	38.1 lb x inch
<b>M8</b>	10.5 Nm	92.9 lb x inch

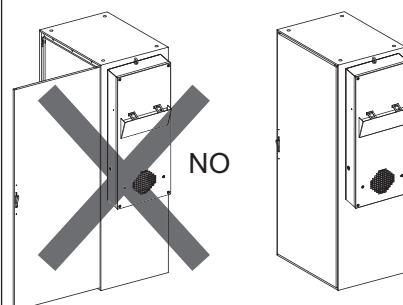
**F7**



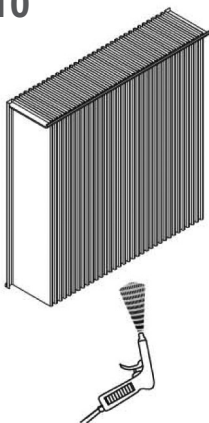
**F8**



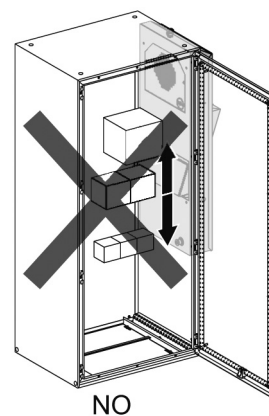
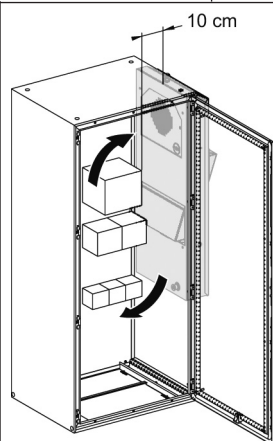
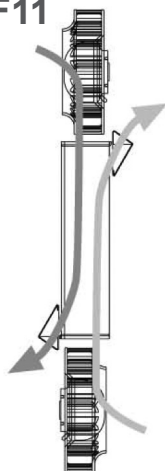
**F9**



**F10**



**F11**



# Recommendations

## 1. Intended use of heat exchanger

The heat exchangers described in this manual have been developed and assembled to cool the air contained inside the electric or electronic enclosures in order to protect the devices sensitive to elevated temperatures located inside, and at the same time provide IP55 protection rating for side models (figure F2) against the influx of contaminating substances and aggressive agents in internal installations.

The control temperature should not be too low. A temperature of 35°C / 95°F is recommended. The group is provided with an adjustable electromechanical thermostat, and as such the heat exchanger only starts up when the designated temperature is reached. The unit nameplate is located on the outer cover, the one that displays the serial number is located on the frame or on the same cover.

It is important that the instructions in this manual be followed.

### **DANGER**

#### **RISK OF ELECTRIC SHOCK, EXPLOSION OR ARC FLASH**

- All warnings should be carefully read during installation, start up, and whenever it may seem necessary in general.
  - Under no circumstances should the characteristics of the apparatus itself be altered or modified.
  - Installation must be performed by competent and qualified staff.
  - In the event the lid is opened, ensure prior disconnection of the power supply circuit. At the end of any activity carried out with the lid open, ensure proper closure before reconnecting the heat exchanger.
  - The Guidelines and Rules applicable in the country of use must be respected at every moment from installation to disposal.
  - Accurate and comprehensive compliance with all rules, instructions and prohibitions set forth in this manual are an essential condition for the proper functioning of the product. We therefore will not be held liable for any lack of compliance, or even partial compliance, to these recommendations.
- Any modifications carried out by non-specialized personnel may cause damage or breakdown and endanger personal safety.**

The manufacturer will not be held liable for any damage caused by or resulting from any non-compliance to the instructions indicated in this manual, such as those regarding EEC Directives 89/392 and their respective amendments.

## 2. Technical details

(Figures F1 and F2)

## 3. Supply

The kit contains:

- |          |  |
|----------|--|
| 1        | Air to air heat exchanger                |
| 1        | installation, use and maintenance manual |
| <b>1</b> | 4 M6x16 mm screws                        |
| <b>2</b> | 1 self adhesive sealing gasket           |
| <b>3</b> | 4 6.4x12 mm flat washers                 |
| <b>4</b> | 4 4.2x9.5 mm self-tapping screws         |
| <b>5</b> | 2 baffle plates                          |
| 1        | M6 lifting rings                         |

## 4. Pre-mounting operations

### **WARNING**

#### **RISK OF PRODUCT DAMAGE**

- During transport and storage, the heat exchanger must not be exposed to temperatures greater than 70°C / 158°F or below -20°C / -4°F, and/or relative humidity greater than 95%.
  - The packaging must not have any transport damage (no deterioration, cracks, scratches, oil marks, ...) This must be checked upon reception. If there is any, make a note of it on the acceptance receipt.
  - Check that the external environment does not show any concentration of solid contaminants and/or excessive amounts of aggressive chemicals, according to IEC 62208. If there are any, use the air inlet protection filters (figure F18).
  - The air flow inlet and outlet of the heat exchanger should not be blocked by walls or objects that are too close. To this end, with respect to the external air flow, maintain the minimum distances (figure F7). Additionally, the air flow inside the enclosure must not be hindered by any internal electrical components. Maintain at least 10 cm between the heat exchanger and the product mounted on the inside of the housing (figure F12).
- Any modifications carried out by non-specialized personnel may cause damage or breakdown.**

After opening the kit, check that the model is the one ordered. The cooling capacity and voltage are shown on the unit nameplate (side of the cooling unit). Verify that all of the components from section 3 are included.

Before drilling or cutting on the cabinet, check that the fasteners and coupling do not impede or interfere with the switchgear located on the enclosure. The heat exchanger must be installed with the enclosure's air intake located at the highest possible point.

Any modifications to the product not listed in this manual or in other Schneider documentation are prohibited.

### **DANGER**

#### **RISK OF ELECTRIC SHOCK, EXPLOSION OR ARC FLASH**

- The temperature in the area of enclosure installation must not be above 55°C / 131°F (according to frequency) or less than -5°C / 23°F, and/or relative humidity above +95%, or in any case, must not be greater than the maximum working temperature of the heat exchanger specified on the unit nameplate (figure F2). Place the heat exchanger away from sources of heat and hot airflows (figure F12).
  - The sealing of the enclosure must be IP55 or higher. If this is not achieved, excessive condensation may appear. As such, securely seal the cable holes and other openings in the enclosure, especially by the floor and cable entrances.
  - The available mains voltage must match the characteristics noted on the information plate of the heat exchanger.
  - The heat exchanger unit must be installed in the intended position. The maximum deviation from the perpendicular line is 2°.
  - Ensure that the side or door of the enclosure can support the weight of the heat exchanger. It is recommended that software ProClima be used to verify that the housing can withstand the weight of the heat exchanger.
- Any modifications carried out by non-specialized personnel may cause damage or breakdown and endanger personal safety.**

## 5. Mounting

### **DANGER**

#### **RISK OF ELECTRIC SHOCK, EXPLOSION OR ARC FLASH**

- Before carrying out any activity inside the enclosure, the power supply must be disconnected.
  - In order to place the seal in the heat exchanger (figure F5), follow the numerical sequence indicated in section 3 (1 to 3). Fit the seal in the heat exchanger. It is important to properly place the seal to ensure good IP.
- Any modifications carried out by non-specialized personnel may cause damage or breakdown and endanger personal safety.**

### **DANGER**

#### **RISK OF PHYSICAL HARM TO PERSONS**

- Carry out the drilling and cutting on the enclosure according to the drilling template (figure F4). Use IPE (individual protection equipment) in order to avoid personal harm.
  - Respect the torque indicated in figure F5. Only use screws and accessories included in the product.
  - The M6 lifting ring located on top of the heat exchanger (figure F6) must be used for the unit to be lifted safely. For heat exchangers weighing more than 15 kg / 33 lb, a minimum of two people is recommended. A maximum of 15 kg / 33 lb per person is recommended (figure F2).
  - Use only lifting accessories supplied with the product.
  - Keep the heat exchanger balanced during the lifting operation. Avoid collisions. This could create faults in the product.
- Any modifications carried out by non-specialized personnel may cause damage or breakdown and endanger personal safety.**

# Recommendations

## 6. Electric connection

**⚠️ ⚠️ DANGER**

**RISK OF ELECTRIC SHOCK, EXPLOSION OR ARC FLASH**

- Electrical connection must be carried out by specialized and authorized staff.
- The installation must conform to the regulations of the country where the cooling unit is to be used.
- Cut off the voltage to the enclosure before making the connection.
- The available mains voltage must match the values noted on the information plate of the heat exchanger.
- The power to the heat exchanger must be protected (serial connection) by a fuse or circuit breaker with a contact gap of at least 3 mm when open, according to the recommended settings (figure F2).

**Any modifications carried out by non-specialized personnel may cause damage or breakdown and endanger personal safety.**

There must be no temperature control system in a serial connection to the heat exchanger.

## 7. First start up and regulation

Turn on the heat exchanger. The ventilator that circulates the enclosure air will immediately turn on, thus achieving a uniform temperature inside the enclosure. If this temperature is above the threshold set in the mechanical thermostat, the exterior ventilator is activated, thus starting the refrigeration cycle. The refrigeration cycle ends when the internal temperature reaches the lower limit of the operational differential, which has a fixed value of 4 K. The mechanical thermostat is factory programmed at 35°C / 95°F. To change the temperature setting, access the thermostat located on the back of the heat exchanger. To save energy and minimize the production of condensate, temperatures below 30°C / 86°F are not recommended.

## 8. Maintenance

**⚠️ ⚠️ DANGER**

**RISK OF ELECTRIC SHOCK, EXPLOSION OR ARC FLASH**

- Before any intervention, the cooling unit must be disconnected from the mains.

**Not complying can cause death or serious injury.**

The only operation required is the cleaning of the heat exchange coil (figure F10) and periodic monitoring as indicated below:

Intervention	Frequency
Control and cleaning of heat exchange coil external side	Every 2 months
Ventilator check: overheating or excessive vibration	Every 6 months

Carry out the cleaning of the heat exchange coil in the following manner: release the housing at the back, remove the coil and blow away the dust (using compressed air at a pressure of no greater than 4 bar) and remove any trace of grease or oil with an appropriate cleaning product (compatible with PVC, PE, PP and silicone).

**WARNING**

**RISK OF PRODUCT DAMAGE**

- Do not use flammable and / or corrosive chemicals during cleaning operations.
- Clean with compressed air at a maximum pressure of 4 bar (figure F10).

**Any modifications carried out by non-specialized personnel may cause damage or breakdown.**

Finally replace the parts, dry well and assemble.

**⚠️ ⚠️ DANGER**

**RISK OF ELECTRIC SHOCK, EXPLOSION OR ARC FLASH**

- After carrying out the maintenance, it is very important to check that the ground wire of the heat exchanger cover is still connected.
- The repairs that may be necessary can only be carried out by specialized and authorized personnel using original spare parts.

**Any modifications carried out by non-specialized personnel may cause damage or breakdown and endanger personal safety.**

**⚠️ DANGER**

**RISK OF PHYSICAL HARM TO PERSONS**

- During maintenance use IPE (individual protective equipment) to prevent injury. Some tubes may be hot and can cause burns.

**Any modifications carried out by non-specialized personnel may cause damage or breakdown and endanger personal safety.**

## 9. Transportation and / or frame-shift with the cooling unit mounted

**WARNING**

**RISK OF PRODUCT DAMAGE**

- The electric box with the mounted heat exchanger is to be placed on a pallet with dimensions greater than the assembly.
- Protect the product during shipping with the cooling unit's own container.
- Avoid knocks during transport.
- During transport and storage, the heat exchanger must not be exposed to temperatures greater than 70°C / 158°F or below -20°C / -4°F, and/or relative humidity greater than 95%.

**Any modifications carried out by non-specialized personnel may cause damage or breakdown.**

## 10. Technical information

### 10.1 Principles of function

The operating principle of air to air heat exchangers is based on the transfer of thermal capacity between two different airflows working at two different temperatures via a surface with a high heat transfer coefficient (figure F11) which keeps the two environments separate in order to avoid dirt and contamination passing from the outside to the inside.

### 10.2 Safety equipment

The ventilators are provided with an internal cut-off which interrupts the power supply in case of excessive overheating.

## 10.3 Disposal and recycling

**WARNING**

**RISK OF ENVIRONMENTAL HARM**

- Replacement, repair, and final disposal must be performed by experts.

**Any modifications carried out by non-specialized personnel may cause damage.**

When the life production cycle comes to an end it is necessary to proceed as follows:

- disassemble and subdivide the internal units to carry out a diverse collection for the recovery of materials (steel, copper, aluminum, plastic, etc ...)

In all cases, take into account the existing regulations in the country where it is being used.

### NOTE

Carefully store the documentation in a dry location.

## Anomaly solution

Anomaly	Conditions	Causes	Solution
Does not cool	No component is working	No voltage to the unit	Check that there is voltage and that the doors and circuit breakers are closed
	The external ventilator does not work	<ul style="list-style-type: none"> <li>- The temperature inside the enclosure is lower than the temperature set by the thermostat.</li> <li>- The mechanical thermostat is either broken or incorrectly connected.</li> <li>- The ventilator is incorrectly connected.</li> <li>- The ventilator is faulty.</li> <li>- The condenser is faulty (if present)</li> </ul>	<ul style="list-style-type: none"> <li>- Lower the temperature on the thermostat until the ventilator starts working. Then readjust the settings.</li> <li>- Check that it is connected properly or replace the thermostat.</li> <li>- Check the ventilator is connected properly.</li> <li>- Replace the ventilator.</li> <li>- Replace the condenser</li> </ul>
	The internal ventilator does not work	<ul style="list-style-type: none"> <li>- The ventilator is incorrectly connected.</li> <li>- The ventilator is faulty.</li> <li>- The condenser is faulty (if present)</li> </ul>	<ul style="list-style-type: none"> <li>- Check the ventilator is connected properly.</li> <li>- Replace the ventilator.</li> <li>- Replace the condenser</li> </ul>
	The ventilators are working	<ul style="list-style-type: none"> <li>- Heat exchange coil dirty or obstructed</li> <li>- Ambient temperature higher than the maximum operating limit</li> </ul>	<ul style="list-style-type: none"> <li>- Clean the heat exchanger</li> <li>- Ventilate the area the enclosure is in to lower the surrounding temperature</li> </ul>

# Préconisations

## 1. Fonction de l'échangeur thermique

Les échangeurs thermiques décrits dans ce manuel ont été conçus et assemblés pour refroidir l'air contenu dans les armoires électriques ou électroniques afin de protéger les dispositifs sensibles aux températures élevées qui y sont enfermés, tout en assurant un niveau de protection IP55 pour les modèles latéraux (figure F2) contre la pénétration de substances contaminantes et d'agents agressifs dans les installations intérieures. La température de référence ne doit pas être trop basse. Nous recommandons 35 °C (95 °F). Le groupe est muni d'un thermostat électromécanique réglable, de sorte que l'échangeur thermique ne démarre que lorsque la température définie est atteinte. La plaque signalétique de l'unité se trouve sur le capot externe. Le numéro de série est indiqué sur le même capot ou sur le châssis. Il est important de respecter les instructions fournies dans ce manuel.

### DANGER

#### RISQUE DE CHOC ELECTRIQUE, D'EXPLOSION OU D'ARC ELECTRIQUE

- Tous les avertissements doivent être consultés attentivement pendant l'installation et la mise en route, mais aussi chaque fois que cela semble nécessaire en général.
- Les caractéristiques de l'appareil ne doivent en aucun cas être modifiées.
- L'installation doit être effectuée par du personnel qualifié et compétent.
- Si le couvercle doit être ouvert, assurez-vous de déconnecter le circuit d'alimentation au préalable. A la fin de toute activité nécessitant l'ouverture du couvercle, vérifiez que ce dernier est correctement fermé avant de reconnecter l'échangeur thermique.
- Les recommandations et règles applicables dans le pays d'utilisation doivent être respectées à tout moment, depuis l'installation jusqu'à la mise au rebut.
- Le bon fonctionnement du produit est conditionné par l'observation scrupuleuse et totale des règles, instructions et interdictions exposées dans ce manuel. Nous déclinons par conséquent toute responsabilité en cas de non-respect ou de respect partiel de ces recommandations.

**Toute modification effectuée par du personnel non spécialisé risque d'endommager ou de détruire l'appareil et de compromettre la sécurité des personnes.**

Le fabricant décline toute responsabilité quant aux dommages causés (directement ou indirectement) par le non-respect des instructions fournies dans ce manuel, notamment des directives CEE 89/392 et de leurs amendements.

## 2. Caractéristiques techniques

(Figures F1 et F2)

## 3. Contenu de la livraison

L'emballage contient :

- |   |  |
|---|--|
| 1 | Echangeur thermique air-air                            |
| 1 | Manuel d'installation, d'utilisation et de maintenance |
| ① | 4 vis M6x16 mm   |
| ② | 1 joint d'étanchéité auto-adhésif                      |
| ③ | 4 rondelles plates 6,4x12 mm                           |
| ④ | 4 vis autotaraudeuses 4,2x9,5 mm                       |
| ⑤ | 2 déflecteurs  |
| 1 | anneaux de levage M6                                   |

## 4. Opérations préalables au montage

### AVERTISSEMENT

#### RISQUE D'ALTERATION DU PRODUIT

- Pendant le transport et le stockage, l'échangeur thermique ne doit pas être exposé à des températures supérieures à 70 °C (158 °F) ou inférieures à -20 °C (-4 °F), ni à une humidité relative supérieure à 95 %.
  - L'emballage ne doit présenter aucune trace indiquant de mauvaises conditions de transport (détériorations, perforations, griffures, tâches d'huile, etc.). Il doit être examiné dès réception. Si vous constatez des défauts, indiquez-les sur le bordereau de reçu.
  - Assurez-vous que l'environnement externe ne présente pas de concentration de contaminants solides ni de quantités excessives d'agents chimiques agressifs, conformément à la norme CEI/IEC 62208.
  - L'arrivée et la sortie d'air de l'unité ne doivent pas être obstruées par des parois ou des objets trop proches. Pour cette raison, respectez les distances de dégagement minimum par rapport à l'environnement extérieur (figure F7). En outre, la circulation d'air dans l'armoire ne doit pas être gênée par des composants électriques internes. L'échangeur thermique doit être à 10 cm au moins du produit monté à l'intérieur de l'armoire (figure F12).
- Toute modification effectuée par du personnel non spécialisé risque d'endommager ou de détruire l'appareil.**

Après avoir ouvert l'emballage, vérifiez que le modèle correspond à votre commande. La capacité de refroidissement et la tension d'alimentation sont indiquées sur la plaque signalétique de l'appareil (paroi latérale). Vérifiez la présence de tous les composants répertoriés à la section 3.

Avant toute opération de perçage ou de découpage, vérifiez que les éléments de fixation et de couplage ne gênent pas l'appareillage de commutation situé sur l'armoire.

L'échangeur thermique doit être installé de manière à ce que l'arrivée d'air dans l'armoire soit située le plus haut possible.

Toute modification du produit qui n'est pas décrite dans le présent manuel ou dans un autre document Schneider est strictement interdite.

### DANGER

#### RISQUE DE CHOC ELECTRIQUE, D'EXPLOSION OU D'ARC ELECTRIQUE

- La zone où est installée l'armoire ne doit pas connaître des températures supérieures à 55 °C (131 °F), en fonction de la fréquence d'exposition, ni inférieures à -5 °C (23 °F), ni une humidité relative supérieure à 95 %. En tout état de cause, les conditions ne doivent pas dépasser la température de fonctionnement maximum indiquée sur la plaque signalétique de l'appareil (figure F2). Placez l'échangeur thermique à distance des sources de chaleur et des courants d'air chauds (figure F12)
  - L'armoire doit présenter un niveau d'étanchéité IP55 ou supérieur pour éviter toute condensation excessive. Colmatez donc soigneusement toutes les ouvertures de l'armoire, notamment les passages de câbles et le plancher.
  - La tension d'alimentation secteur doit correspondre aux caractéristiques techniques indiquées sur la plaque d'informations de l'appareil.
  - L'échangeur thermique doit être installé dans la position adéquate. L'écart maximum admis par rapport à la perpendiculaire est de 2°.
  - Assurez-vous que la paroi latérale ou la porte de l'armoire peut supporter le poids de l'appareil. Il est recommandé d'utiliser le logiciel ProClima pour vérifier ce point.
- Toute modification effectuée par du personnel non spécialisé risque d'endommager ou de détruire l'appareil et de compromettre la sécurité des personnes.**

## 5. Montage

### DANGER

#### RISQUE DE CHOC ELECTRIQUE, D'EXPLOSION OU D'ARC ELECTRIQUE

- Avant toute intervention à l'intérieur de l'armoire, veillez à déconnecter la source d'alimentation.
  - Pour étanchéiser l'échangeur thermique (figure F5), suivez dans l'ordre les étapes (1 à 3) décrites dans la section 3. Placez le joint dans l'échangeur thermique. Il est important de bien le positionner pour garantir un bon niveau IP.
- Toute modification effectuée par du personnel non spécialisé risque d'endommager ou de détruire l'appareil et de compromettre la sécurité des personnes.**

### DANGER

#### RISQUE POUR LES PERSONNES

- Effectuez les opérations de perçage et de découpe de l'armoire conformément au gabarit (figure F4). Pour éviter tous dommages corporels, utilisez des équipements de protection individuelle.
  - Respectez le couple de serrage indiqué dans la figure F5. Utilisez uniquement la visserie et les accessoires livrés avec le produit.
  - L'anneau de levage M6 situé sur le dessus de l'échangeur thermique (figure F6) doit être utilisé pour soulever l'appareil en toute sécurité. Pour les modèles pesant plus de 15 kg (33 lb), prévoyez au moins deux personnes, le poids maximum recommandé par manutentionnaire étant de 15 kg (figure F2).
  - Utilisez exclusivement les accessoires de levage fournis avec le produit.
  - Veillez à l'équilibre de l'appareil pendant l'opération de levage et évitez toute collision car cela pourrait endommager le produit.
- Toute modification effectuée par du personnel non spécialisé risque d'endommager ou de détruire l'appareil et de compromettre la sécurité des personnes.**



# Préconisations

## 6. Raccordement électrique

**⚡ ⚠ DANGER**

**RISQUE DE CHOC ELECTRIQUE, D'EXPLOSION OU D'ARC ELECTRIQUE**

- Le raccordement électrique doit être effectué par du personnel spécialisé et autorisé.
- L'installation doit être conforme à la réglementation en vigueur dans le pays où le l'appareil va être utilisé.
- Coupez l'alimentation de l'armoire avant de procéder au raccordement électrique.
- La tension d'alimentation secteur doit correspondre aux valeurs indiquées sur la plaque d'informations de l'appareil.
- L'alimentation fournie à l'échangeur thermique doit être protégée (connexion série) par un fusible ou un disjoncteur avec écart de contact d'au moins 3 mm à l'ouverture, conformément aux réglages recommandés (figure F2).

**Toute modification effectuée par du personnel non spécialisé risque d'endommager ou de détruire l'appareil et de compromettre la sécurité des personnes.**

Il ne doit pas y avoir de système de contrôle de température dans une connexion série à l'échangeur thermique.

## 7. Démarrage initial et réglage

Mettez l'échangeur thermique en marche. Le ventilateur qui fait circuler l'air à l'intérieur de l'armoire s'active immédiatement et assure une température uniforme. Si cette température est supérieure au seuil programmé dans le thermostat mécanique, le ventilateur extérieur s'active et lance ainsi le cycle de refroidissement. Le cycle de réfrigération s'arrête lorsque la température intérieure de l'armoire atteint la limite inférieure de la plage opérationnelle, laquelle a une valeur fixe de 4 K. Le thermostat mécanique est programmé en usine sur 35 °C (95 °F). Pour modifier ce réglage, accédez au thermostat situé à l'arrière de l'échangeur thermique. Pour réduire la consommation d'énergie et la production de condensat, un réglage inférieur à 30 °C (86 °F) est déconseillé.

## 8. Maintenance

**⚡ ⚠ DANGER**

**RISQUE DE CHOC ELECTRIQUE, D'EXPLOSION OU D'ARC ELECTRIQUE**

- Avant toute intervention, déconnectez l'unité du secteur.

**Tout manquement peut entraîner des blessures graves, voire la mort.**

La seule opération nécessaire consiste à nettoyer la bobine d'échange thermique (figure F10) et à surveiller périodiquement les éléments ci-dessous :

Intervention	Fréquence
Contrôle et nettoyage de la partie externe de la bobine d'échange thermique	Tous les 2 mois
Contrôle du ventilateur : surchauffe ou vibrations excessives	Tous les 6 mois

Pour nettoyer la bobine d'échange thermique, retirez le boîtier arrière, déposez la bobine et appliquez un jet d'air comprimé (pas plus de 4 bars) pour chasser la poussière, puis utilisez un produit approprié (compatible avec le PVC, le PE, le PP et les silicones) pour éliminer toute trace de graisse ou d'huile.

**AVERTISSEMENT**

**RISQUE D'ALTERATION DU PRODUIT**

- N'utilisez pas d'agents chimiques inflammables et/ou corrosifs pour les opérations de nettoyage.
- La pression de l'air comprimé ne doit pas dépasser 4 bars (figure F10).

**Toute modification effectuée par du personnel non spécialisé risque d'endommager ou de détruire l'appareil.**

Remettez les pièces en place, séchez bien et assemblez.

**⚡ ⚠ DANGER**

**RISQUE DE CHOC ELECTRIQUE, D'EXPLOSION OU D'ARC ELECTRIQUE**

- Après avoir procédé à la maintenance, il est très important de vérifier que le câble de mise à la terre de l'échangeur thermique est toujours connecté.
- Les réparations qui peuvent s'avérer nécessaires doivent être effectuées par du personnel spécialisé et autorisé utilisant des pièces détachées d'origine.

**Toute modification effectuée par du personnel non spécialisé risque d'endommager ou de détruire l'appareil et de compromettre la sécurité des personnes.**

**⚠ DANGER**

**RISQUE POUR LES PERSONNES**

- Pendant les opérations de maintenance, utilisez des équipements de protection individuelle pour éviter les dommages corporels. Certains tuyaux peuvent être brûlants.

**Toute modification effectuée par du personnel non spécialisé risque d'endommager ou de détruire l'appareil et de compromettre la sécurité des personnes.**

## 9. Transport et/ou déplacement du châssis avec climatiseur monté

**AVERTISSEMENT**

**RISQUE D'ALTERATION DU PRODUIT**

- L'armoire électrique munie de l'échangeur thermique doit être placée sur une palette de dimensions supérieures à celles de l'ensemble.
- Protégez le produit pendant le transport en utilisant l'emballage de l'échangeur.
- Évitez les chocs pendant le transport.
- Pendant le transport et le stockage, l'échangeur thermique ne doit pas être exposé à des températures supérieures à 70 °C (158 °F) ou inférieures à -20 °C (-4 °F), ni à une humidité relative supérieure à 95 %.

**Toute modification effectuée par du personnel non spécialisé risque d'endommager ou de détruire l'appareil.**

## 10. Informations techniques

### 10.1 Principes de fonctionnement

Le principe de fonctionnement des échangeurs thermiques air-air s'appuie sur le transfert de capacité thermique entre deux flux d'air de températures différentes via une surface présentant un fort coefficient de transfert de chaleur (figure F11) qui assure la séparation entre les deux environnements pour éviter le passage de poussières et d'agents contaminants de l'extérieur à l'intérieur.

### 10.2 Equipement de sécurité

Les ventilateurs sont munis d'un coupe-circuit interne qui arrête l'alimentation en cas de surchauffe excessive.

## 10.3 Mise au rebut et recyclage

**AVERTISSEMENT**

**RISQUE D'ALTERATION DU PRODUIT**

- Seuls des experts peuvent en effectuer le remplacement, la réparation et la mise au rebut finale.

**Toute modification effectuée par du personnel non spécialisé risque d'endommager ou de détruire l'appareil.**

Lorsque le cycle de vie/production touche à sa fin, il est nécessaire de suivre la procédure suivante :

- démontez les unités internes et séparez les différents matériaux en vue de leur récupération (acier, cuivre, aluminium, plastique, etc.).

Dans tous les cas, tenez compte de la réglementation en vigueur dans le pays d'utilisation.

### REMARQUE

Prenez soin de conserver la documentation dans un endroit sec.

## Résolution des anomalies

Anomalie	Conditions	Causes	Solution
Pas de refroidissement	Aucun composant ne fonctionne	L'unité n'est pas alimentée	Vérifiez la présence de tension et la fermeture des portes et des disjoncteurs
	Le ventilateur externe ne fonctionne pas	<ul style="list-style-type: none"> <li>- La température à l'intérieur de l'armoire est inférieure au réglage du thermostat.</li> <li>- Le thermostat mécanique est cassé ou mal connecté.</li> <li>- Le ventilateur n'est pas correctement connecté.</li> <li>- Le ventilateur est défectueux.</li> <li>- Le condenseur (le cas échéant) est défectueux</li> </ul>	<ul style="list-style-type: none"> <li>- Réduisez la température du thermostat jusqu'à ce que le ventilateur se mette en route. Réajustez ensuite les réglages.</li> <li>- Vérifiez que le thermostat est correctement connecté ou remplacez-le.</li> <li>- Vérifiez que le ventilateur est correctement connecté.</li> <li>- Remplacez le ventilateur.</li> <li>- Remplacez le condenseur</li> </ul>
	Le ventilateur interne ne fonctionne pas	<ul style="list-style-type: none"> <li>- Le ventilateur n'est pas correctement connecté.</li> <li>- Le ventilateur est défectueux.</li> <li>- Le condenseur (le cas échéant) est défectueux</li> </ul>	<ul style="list-style-type: none"> <li>- Vérifiez que le ventilateur est correctement connecté.</li> <li>- Remplacez le ventilateur.</li> <li>- Remplacez le condenseur</li> </ul>
	Les ventilateurs fonctionnent	<ul style="list-style-type: none"> <li>- Bobine d'échange thermique sale ou obstruée</li> <li>- Température ambiante supérieure à la limite maximale de fonctionnement</li> </ul>	<ul style="list-style-type: none"> <li>- Nettoyez l'échangeur thermique</li> <li>- Ventilez la zone où se trouve l'armoire pour abaisser la température environnante</li> </ul>

# Raccomandazioni

## 1. Uso previsto per lo scambiatore di calore

Gli scambiatori di calore descritte in questo manuale sono state sviluppate e assemblate per raffreddare l'aria all'interno degli armadi elettrici o elettronici. Lo loro funzione è quella di proteggere i dispositivi sensibili agli aumenti di temperatura all'interno degli armadi e allo stesso tempo offrire una protezione IP55 per i modelli installabili sui lati (figura F2) contro l'influsso di sostanze contaminanti e agenti chimici aggressivi nelle installazioni interne. La temperatura di controllo non deve essere troppo bassa. Si consiglia una temperatura di 35°C / 95°F. Il gruppo è fornito con un termostato elettromeccanico regolabile, quindi il condizionatore entra in funzione solo quando viene raggiunta la temperatura impostata. La targhetta identificativa con il nome dell'unità si trova sul coperchio esterno; quella che riporta il numero di serie è posizionata sul telaio oppure sullo stesso coperchio. È importante rispettare le istruzioni indicate in questo manuale.

### PERICOLO

#### RISCHIO DI SCARICHE ELETTRICHE ESPLOSIONE O ARCO ELETTRICO

- Leggere con attenzione tutti gli avvisi durante l'installazione, l'avvio e ogniqualvolta può rivelarsi necessario.
  - Non modificare né alterare per nessun motivo le caratteristiche delle apparecchiature.
  - L'installazione deve essere eseguita da personale competente e qualificato.
  - Se si deve aprire il coperchio, assicurarsi prima di mettere fuori tensione il circuito di alimentazione. Alla fine di ogni attività effettuata con il coperchio aperto, accertarsi di richiuderlo bene prima di riapplicare la tensione allo scambiatore di calore.
  - Rispettare le linee guida e le norme elettriche vigenti nel paese d'impiego per tutto il processo di installazione e di smaltimento.
  - Per il funzionamento corretto delle apparecchiature, è indispensabile garantire la massima conformità alle regolamentazioni, alle istruzioni e ai divieti riportati nel presente manuale. Pertanto non si assume alcuna responsabilità derivante da una mancanza di conformità, anche parziale, a queste raccomandazioni.
- Qualsiasi modifica apportata da personale non qualificato può causare danni o interruzioni e mettere in pericolo la sicurezza del personale.**






Il costruttore non sarà ritenuto responsabile per qualunque danno risultante da operazioni non conformi alle istruzioni riportate in questo manuale, come quelle che riguardano le direttive EEC 89/392 e i rispettivi emendamenti.

## 2. Informazioni tecniche

(Figura F1 e F2)

## 3. Dotazione di fornitura

Il kit contiene:

- |   |   |
|---|---|
| 1   | Scambiatore di calore aria /aria            |
| 1   | manuale d'installazione, uso e manutenzione |
|  4 | Viti M6x16 mm                               |
|  1 | guarnizione di tenuta autoadesiva           |
|  4 | rondelle piatte 6.4x12 mm                   |
|  4 | Viti autofilettanti 4,2x9,5 mm              |
|  2 | piastre direzionali                         |
| 1   | Anelli per sollevamento M6                  |

## 4. Operazioni di premontaggio

### ATTENZIONE

#### RISCHIO DI DANNI AL PRODOTTO

- Durante il trasporto e l'immagazzinamento, lo scambiatore di calore non deve essere esposto a temperature superiori a 70°C / 158°F o inferiori a -20°C / -4°F, e/o a un'umidità relativa superiore al 95%.
  - La confezione non deve subire danni durante il trasporto (nessuna deteriorazione, fessure, graffi, macchie di olio, ...) L'integrità della confezione deve essere verificata alla ricezione. Gli eventuali danni rilevati vanno annotati sulla bolla di ricezione.
  - Verificare che l'ambiente esterno non presenti concentrazioni di sostanze contaminanti solide e/o quantità eccessive di sostanze chimiche aggressive, in base alla norma IEC 62208.
  - Il flusso d'aria in ingresso e in uscita dello scambiatore di calore non deve essere ostacolato da muri o oggetti troppo vicini. Al fine di garantire un flusso adeguato dell'aria esterna, rispettare le distanze minime prescritte (figura F7). Inoltre, il flusso d'aria all'interno degli armadi non deve essere ostacolato dai componenti elettrici interni. Mantenere una distanza di almeno 10 cm tra lo scambiatore di calore e il prodotto montato sul lato della struttura (figura F12).
- Tutte le modifiche apportate da personale non qualificato possono causare danni o interruzioni del funzionamento.**

Dopo aver aperto il kit, accertarsi che si tratti del modello effettivamente ordinato. La capacità di raffreddamento e il valore di tensione sono indicate sulla targhetta identificativa dell'unità (sul lato del condizionatore). Verificare che siano presenti tutti i componenti indicati alla sezione 3.

Prima di eseguire fori o intagli nell'armadio, verificare che le fascette di serraggio e gli accoppiamenti non ostacolino o interferiscano con gli interruttori di controllo (switchgear) situati sull'armadio.

Lo scambiatore di calore deve essere installato con l'apertura per l'afflusso dell'aria dell'armadio situata nel punto più alto possibile.

È vietata qualsiasi modifica del prodotto non indicata nel presente manuale o in altri tipi di documentazione Schneider.

### PERICOLO

#### RISCHIO DI SCARICHE ELETTRICHE ESPLOSIONE O ARCO ELETTRICO

- La temperatura nell'area di installazione del cabinet non deve essere superiore a 55°C / 131°F (in base alla frequenza) o inferiore a -5° / 23°F, e/o l'umidità relativa non deve essere superiore a +95%, o comunque non deve superare la temperatura max. dello scambiatore di calore specificata sulla targhetta identificativa dell'unità (figura F2). Collocare lo scambiatore di calore a distanza da fonti di calore e flussi d'aria calda (figura F12).
  - La tenuta dell'armadio deve essere di tipo IP55 o superiore. Se questo valore non è garantito, può formarsi una quantità eccessiva di condensa. A questo scopo, sigillare con cura i fori per il passaggio dei cavi e altre aperture presenti nel cabinet, particolarmente in prossimità della base e degli accessi per i cavi.
  - La tensione di rete disponibile deve corrispondere ai valori indicati sulla targhetta identificativa apposta sullo scambiatore di calore.
  - Lo scambiatore di calore deve essere installato nella posizione prevista. La deviazione massima rispetto alla linea perpendicolare è 2°.
  - Accertarsi che il lato, o la porta dell'armadio siano in grado di sopportare il peso dello scambiatore di calore. Si raccomanda di utilizzare il software ProClima per verificare che il cabinet possa sostenere il peso dello scambiatore di calore.
- Qualsiasi modifica apportata da personale non qualificato può causare danni o interruzioni e mettere in pericolo la sicurezza del personale.**

## 5. Montaggio

### PERICOLO

#### RISCHIO DI SCARICHE ELETTRICHE ESPLOSIONE O ARCO ELETTRICO

- Prima di eseguire un'attività all'interno del cabinet, scollegare l'alimentazione.
  - Per posizionare la guarnizione nello scambiatore di calore (figura F5), rispettare la sequenza numerica indicata nella sezione 3 (da 1 a 3). Inserire la guarnizione di tenuta nello scambiatore di calore. L'installazione corretta della guarnizione è importante per garantire un buon grado di protezione IP
- Qualsiasi modifica apportata da personale non qualificato può causare danni o interruzioni e mettere in pericolo la sicurezza del personale.**



# Raccomandazioni

## ⚠ PERICOLO

### RISCHIO DI DANNI FISICI AL PERSONALE

- Eseguire i fori e gli intagli sul cabinet secondo le dime di foratura (figura F4). Utilizzare indumenti IPE (Individual Protection Equipment) per evitare danni alle persone.
  - Rispettare la coppia di serraggio indicata nelle figure F5). Utilizzare solo le viti e gli accessori inclusi con il prodotto.
  - L'anello di sollevamento M6 posizionato in alto alla scambiatore di calore (figura F6) deve essere utilizzato per il sollevamento dell'unità con sicurezza. Per gli scambiatori di calore del peso superiore a 15 kg / 33 lb, si raccomanda l'intervento di due persone. Il peso raccomandato per persona è 15 kg / 33 lb max. (figura F2).
  - Utilizzare solo gli accessori per il sollevamento forniti con il prodotto.
  - Mantenere lo scambiatore di calore in equilibrio durante il sollevamento. Evitare le collisioni. Gli urti potrebbero danneggiare il prodotto.
- Qualsiasi modifica apportata da personale non qualificato può causare danni o interruzioni e mettere in pericolo la sicurezza del personale.**

## 6. Connessione elettrica

## ⚠ PERICOLO

### RISCHIO DI SCARICHE ELETTRICHE ESPLOSIONE O ARCO ELETTRICO

- I collegamenti elettrici devono essere eseguiti da personale specializzato e autorizzato.
  - L'installazione deve essere conforme alle norme vigenti nel paese in cui viene impiegato lo scambiatore di calore.
  - Interrompere la tensione con il cabinet prima di effettuare il collegamento.
  - La tensione di rete disponibile deve corrispondere ai valori indicati sulla targhetta identificativa apposta sullo scambiatore di calore.
  - L'alimentazione dello scambiatore di calore deve essere protetta (collegamento seriale) da un fusibile o un sezionatore con apertura dei contatti di almeno 3 mm, secondo le impostazioni raccomandate (figura F2).
- Qualsiasi modifica apportata da personale non qualificato può causare danni o interruzioni e mettere in pericolo la sicurezza del personale.**

Non deve esserci alcun sistema di controllo della temperatura in un collegamento seriale con lo scambiatore di calore.

## 7. Primo avvio e regolazione

Accendere lo scambiatore di calore. Il ventilatore che fa circolare l'aria del cabinet si attiva immediatamente e garantisce una temperatura uniforme all'interno del cabinet. Se questa temperatura supera la soglia programmata nel termostato meccanico, il ventilatore esterno è attivato avviando in questo modo il ciclo di raffreddamento. Il ciclo di refrigerazione termina quando la temperatura interna raggiunge il limite inferiore del differenziale operativo, che ha un valore fisso di 4 K. Il termostato meccanico è programmato in fabbrica a 35°C / 95°F. Per cambiare la temperatura impostata, accedere al termostato meccanico sul retro dello scambiatore di calore. Per risparmiare energia e ridurre al minimo la produzione di condensa, non sono raccomandate temperature inferiori ai 30°C / 86°F.

## 8. Manutenzione

## ⚠ PERICOLO

### RISCHIO DI SCARICHE ELETTRICHE ESPLOSIONE O ARCO ELETTRICO

- Prima di eseguire qualsiasi intervento, scollegare il condizionatore dall'alimentazione di rete.
- Il mancato rispetto di questa precauzione può provocare la morte o lesioni gravi.**

L'unica operazione richiesta è la pulizia della bobina di scambio del calore (figura F10) e il monitoraggio periodico come indicato qui sotto:

Intervento	Frequenza
Controllo e pulizia della bobina di scambio del calore sul lato esterno	Ogni 2 mesi
Controllo della ventola: surriscaldamento o vibrazioni eccessive	Ogni 6 mesi

Effettuare la pulizia della bobina della scambiatore di calore nel seguente modo: rimuovere lo sportello posteriore, togliere la bobina e rimuovere la polvere con un soffiatore (aria compressa max. 4 bar) e pulire tutte tracce di grasso o olio con un apposito prodotto (compatibile con materiali come il PVC, PE, PP e silicone).

## ATTENZIONE

### RISCHIO DI DANNI AL PRODOTTO

- Non utilizzare agenti chimici infiammabili e/o corrosivi per le operazioni di pulizia.
  - Eseguire la pulizia con aria compressa a una pressione massima di 4 bar (figura F10).
- Tutte le modifiche apportate da personale non qualificato possono causare danni o interruzioni del funzionamento.**

Infine sostituire le parti, asciugare e rimontare.

## ⚠ PERICOLO

### RISCHIO DI SCARICHE ELETTRICHE ESPLOSIONE O ARCO ELETTRICO

- Dopo aver eseguito la manutenzione, è molto importante verificare che il cavo di messa a terra del coperchio dello scambiatore di calore sia ancora collegato.
  - Le riparazioni eventualmente necessarie devono essere eseguite da personale specializzato e autorizzato e devono essere utilizzati pezzi di ricambio originali.
- Qualsiasi modifica apportata da personale non qualificato può causare danni o interruzioni e mettere in pericolo la sicurezza del personale.**

## ⚠ PERICOLO

### RISCHIO DI DANNI FISICI AL PERSONALE

- Durante la manutenzione utilizzare indumenti di protezione IPE (Individual Protective Equipment) per evitare il rischio di lesioni. Tenere presente che alcuni conduttori possono presentare temperature elevate e causare ustioni.
- Qualsiasi modifica apportata da personale non qualificato può causare danni o interruzioni e mettere in pericolo la sicurezza del personale.**

## 9. Trasporto e/o spostamento dell'armadio con il condizionatore montato

## ATTENZIONE

### RISCHIO DI DANNI AL PRODOTTO

- Il contenitore elettrico con lo scambiatore di calore montato deve essere collocato su un pallet di dimensioni superiori al gruppo assemblato.
  - Per la spedizione, proteggere il prodotto con il contenitore dello scambiatore di calore.
  - Evitare gli urti durante il trasporto.
  - Durante il trasporto e l'immagazzinamento, lo scambiatore di calore non deve essere esposto a temperature superiori a 70°C / 158°F o inferiori a -20°C / -4°F, e/o a un'umidità relativa superiore al 95%.
- Tutte le modifiche apportate da personale non qualificato possono causare danni o interruzioni del funzionamento.**

## 10. Informazioni tecniche

### 10.1 Principi di funzionamento

Il principio di funzionamento degli scambiatori di calore aria-aria è basato sul trasferimento della capacità termica tra due diversi flussi d'aria che lavorano a due diverse temperature tramite una superficie con un alto coefficiente di trasferimento del calore (figura F11) che mantiene i due ambienti separati per poter evitare lo sporco e la contaminazione passando dall'esterno all'interno.

### 10.2 Dispositivi di sicurezza

I ventilatori sono provvisti di un sezionatore interno che interrompe l'alimentazione in caso di surriscaldamento eccessivo.

### 10.3 Smaltimento e riciclaggio

## ATTENZIONE

### RISCHIO DI DANNI AMBIENTALI

- La sostituzione, la riparazione e lo smaltimento finale devono essere eseguiti da personale specializzato.
- Tutte le modifiche apportate da personale non qualificato possono provocare danni.**

Al termine del ciclo di vita di produzione è necessario procedere nel seguente modo:

- disassemblare e suddividere le unità interne per differenziare i materiali da riciclare (acciaio, rame, alluminio, plastica, ecc. ...)

In ogni caso, tenere sempre presenti le normative vigenti nel paese in cui è utilizzato il prodotto.

## NOTA

Conservare la documentazione in un luogo sicuro e asciutto.

## Risoluzione delle anomalie

Anomalia	Condizioni	Cause	Soluzione
Non raffredda	Nessun componente funziona	Mancanza di tensione all'unità	Verificare la presenza di tensione e che gli sportelli e i circuiti sezionatori siano chiusi
	La ventola esterna non funziona	<ul style="list-style-type: none"> <li>- La temperatura all'interno dell'armadio è più bassa della temperatura impostata dal termostato.</li> <li>- Il termostato meccanico è rotto o non collegato bene.</li> <li>- La ventola non è collegata correttamente.</li> <li>- La ventola è guasta.</li> <li>- Il condensatore è guasto (se presente)</li> </ul>	<ul style="list-style-type: none"> <li>- Abbassare la temperatura sul termostato fino a che la ventola inizia a funzionare. Poi regolare le impostazioni di nuovo.</li> <li>- Verificare che sia collegato correttamente o sostituire il termostato.</li> <li>- Verificare che la ventola sia collegata correttamente.</li> <li>- Sostituire la ventola.</li> <li>- Sostituire il condensatore</li> </ul>
	La ventola interna non funziona	<ul style="list-style-type: none"> <li>- La ventola non è collegata correttamente.</li> <li>- La ventola è guasta.</li> <li>- Il condensatore è guasto (se presente)</li> </ul>	<ul style="list-style-type: none"> <li>- Verificare che la ventola sia collegata correttamente.</li> <li>- Sostituire la ventola.</li> <li>- Sostituire il condensatore</li> </ul>
	Le ventole funzionano	<ul style="list-style-type: none"> <li>- Bobina di scambio del calore sporco o ostruito</li> <li>- Temperatura ambiente più alta dei limiti d'esercizio massimi</li> </ul>	<ul style="list-style-type: none"> <li>- Pulire lo scambiatore di calore</li> <li>- Arieggiare l'area dell'ambiente armadio per abbassare la temperatura circostante</li> </ul>

# Empfehlungen

## 1. Verwendungszweck des Wärmetauschers

Die in dieser Anleitung beschriebenen Wärmetauscher wurden zur Luftkühlung in elektrischen und elektronischen Schaltvorrichtungen entwickelt und ausgelegt, um den Schutz der darin untergebrachten temperaturempfindlichen Geräte sowie die Konformität mit der Schutzart IP55 für die an der Gehäuseseite montierten Modelle (Abbildung F2) zum Schutz vor dem Eindringen kontaminierender Fremdkörper und aggressiver Mittel in die Inneninstallationen zu gewährleisten.

Die Regeltemperatur sollte nicht zu niedrig sein. Empfohlen wird eine Temperatur von 35 °C / 95°F. Die Baugruppe ist mit einem einstellbaren elektromechanischen Thermostat ausgestattet, sodass sich der Wärmetauscher nur bei Erreichen der vorgegebenen Temperatur einschaltet. Das Typenschild des Geräts befindet sich auf der äußeren Abdeckung, das Schild mit der Seriennummer auf dem Rahmengestell oder auf derselben Abdeckung. Die in dieser Anleitung enthaltenen Anweisungen müssen auf jeden Fall befolgt werden.

### **GEFAHR**

#### **GEFAHR EINES ELEKTRISCHEN SCHLAGS, EINER EXPLOSION ODER EINES LICHTBOGENS**

- Sämtliche Warnungen müssen sowohl bei der Installation und der Inbetriebnahme als auch ganz allgemein immer dann, wenn es erforderlich sein könnte, sorgfältig gelesen und eingehalten werden.
- In keinem Fall dürfen die Funktionsmerkmale des Geräts ab- oder umgeändert werden.
- Die Installation muss von kompetentem und qualifiziertem Personal durchgeführt werden.
- Wenn die Abdeckung geöffnet werden muss, ist sicherzustellen, dass zuvor die Verbindung zur Spannungsversorgung getrennt wird. Nach Abschluss des Eingriffs bei geöffneter Abdeckung muss diese zunächst wieder ordnungsgemäß geschlossen werden, bevor der Wärmetauscher erneut angeschlossen wird.
- Die im jeweiligen Verwendungsland geltenden Richtlinien und Regeln sind vom Zeitpunkt der Installation bis zur letztendlichen Entsorgung des Geräts unter allen Umständen einzuhalten.
- Die genaue und lückenlose Beachtung aller in dieser Anleitung enthaltenen Regeln, Anweisungen und Verbote ist eine unerlässliche Voraussetzung für den ordnungsgemäßen Betrieb des Geräts. Bei einer selbst minimalen Nichtbeachtung dieser Empfehlungen können wir infolgedessen keinesfalls haftbar gemacht werden.

**Alle von nicht spezialisierten Personen vorgenommenen Änderungen können eine Beschädigung bzw. den Ausfall des Geräts zur Folge haben und die Sicherheit des Personals beeinträchtigen.**

Der Hersteller haftet keinesfalls für Schäden, die durch die Nichtbeachtung der in dieser Anleitung enthaltenen Anweisungen verursacht wurden bzw. darauf zurückzuführen sind, wie in der EWG-Maschinenrichtlinie 89/392 und den entsprechenden Zusätzen ausgewiesen.

## 2. Technische Daten

(Abbildungen F1 und F2)

## 3. Lieferung

Das Lieferpaket enthält folgende Elemente:

- |   |   |  |
|---|---|--|
|   | 1 | Luft-Luft-Wärmetauscher                          |
|   | 1 | Installations-, Gebrauchs- und Wartungsanleitung |
| ① | 4 | Schrauben M6x16 mm                               |
| ② | 1 | Selbstklebende Dichtungsmanschette               |
| ③ | 4 | Unterlegscheiben 6,4x12 mm                       |
| ④ | 4 | Gewindeschneidschrauben 4,2x9,5 mm               |
| ⑤ | 2 | Umlenklebche                                     |
|   | 1 | Heberinge M6                                     |

## 4. Vorbereitung der Montage

### **WARNUNG**

#### **GEFAHR EINER BESCHÄDIGUNG DES GERÄTS**

- Bei Transport und Lagerung darf der Wärmetauscher keinesfalls Temperaturen über 70 °C / 158 °F bzw. unter -20 °C / -4 °F sowie keiner Luftfeuchtigkeit über 95 % ausgesetzt werden.
  - Die Verpackung darf keinerlei Transportschäden aufweisen (Verschleiß, Sprünge, Risse, Kratzer, Ölflecke usw.). Dies muss direkt bei Empfang geprüft werden. Liegen Schäden vor, dann ist auf dem Lieferschein ein entsprechender Vermerk anzubringen.
  - Vergewissern Sie sich, dass die äußere Umgebung keine Konzentration von Schadstoffen und/oder übermäßigen Mengen an aggressiven Chemikalien gemäß IEC 62208 aufweist.
  - Die Lufteintritts- und die Luftaustrittsöffnung des Wärmetauschers dürfen nicht durch zu nahe liegende Wände oder Gegenstände behindert werden. Aus diesem Grund sind zur Gewährleistung des äußeren Luftstroms die Mindestabstände einzuhalten (Abbildung F7). Darüber hinaus darf der Luftstrom im Inneren des Schaltschranks durch keine elektrischen Komponenten behindert werden. Halten Sie einen Mindestabstand von 10 cm zwischen dem Wärmetauscher und den im Schaltschrank installierten Geräten ein (Abbildung F12).
- Alle von nicht spezialisierten Personen vorgenommenen Änderungen können eine Beschädigung bzw. den Ausfall des Geräts zur Folge haben.**

Vergewissern Sie sich beim Öffnen des Lieferpakets, dass das enthaltene Modell dem von Ihnen angeforderten Modell entspricht. Kühlkapazität und Spannung sind auf dem Typenschild des Wärmetauschers angegeben (an der Geräteseite). Stellen Sie sicher, dass alle in Abschnitt 3 aufgeführten Elemente im Lieferpaket enthalten sind. Bevor Sie Bohr- oder Schneidarbeiten am Gehäuseschrank vornehmen, sollten Sie sicherstellen, dass die auf dem Gehäuse befindliche Schaltanlage nicht durch etwaige Befestigungs- und Kupplungs-elemente behindert oder störend beeinflusst wird. Der Wärmetauscher muss so angebracht werden, dass sich der Lufteinlass des Schaltschranks am höchstmöglichen Punkt befindet. Jegliche Änderungen am Gerät, die nicht in dieser Anleitung oder in einer anderen Dokumentation von Schneider ausdrücklich ausgewiesen sind, sind strengstens untersagt.

### **GEFAHR**

#### **GEFAHR EINES ELEKTRISCHEN SCHLAGS, EINER EXPLOSION ODER EINES LICHTBOGENS**

- Die Temperatur im Bereich der Schaltschrankinstallation darf keinesfalls über 55 °C / 131 °F (je nach Frequenz) bzw. unter -5 °C / 23 °F liegen, wobei die Luftfeuchtigkeit maximal +95 % betragen darf. In jedem Fall darf die Temperatur nicht die auf dem Typenschild des Wärmetauschers angegebene maximale Betriebstemperatur überschreiten (Abbildung F2). Halten Sie den Wärmetauscher von Wärmequellen und warmen Luftströmen fern (Abbildung F12).
  - Die Schaltschrankdichtung muss der Schutzart IP54 entsprechen. Wenn diese Schutzart nicht erreicht wird, kann übermäßige Kondensation auftreten. Aus diesem Grund müssen Sie die Kabellöcher und anderen Öffnungen im Schaltschrank, insbesondere in Bodennähe und in der Nähe der Kabeleintritte, sicher abdichten.
  - Die verfügbare Netzspannung muss den auf dem Typenschild des Wärmetauschers angegebenen Kenndaten entsprechen.
  - Der Wärmetauscher muss in der Position angebracht werden, für die er ausgelegt wurde. Die maximal zulässige Abweichung von der Senkrechten beträgt 2°.
  - Stellen Sie sicher, dass die Seite bzw. Decke des Schaltschranks dem Gewicht des Wärmetauschers standhält. Es wird empfohlen, mithilfe der Software **ProClima** zu prüfen, ob das Gehäuse mit dem Gewicht des Wärmetauschers belastet werden kann.
- Alle von nicht spezialisierten Personen vorgenommenen Änderungen können eine Beschädigung bzw. den Ausfall des Geräts zur Folge haben und die Sicherheit des Personals beeinträchtigen.**

## 5. Montage

### **GEFAHR**

#### **GEFAHR EINES ELEKTRISCHEN SCHLAGS, EINER EXPLOSION ODER EINES LICHTBOGENS**

- Vor jeglichen Arbeiten im Inneren des Schaltschranks muss die Spannungszufuhr unterbrochen werden.
  - Halten Sie sich für die Anbringung der Dichtung im Wärmetauscher (Abbildung F5) an die in Abschnitt 3 angegebene Abfolge der Arbeitsschritte (1 bis 3). Bringen Sie die Dichtung im Wärmetauscher an. Hierbei ist auf eine ordnungsgemäße Positionierung der Dichtung zu achten, um eine angemessene Schutzart zu gewährleisten.
- Alle von nicht spezialisierten Personen vorgenommenen Änderungen können eine Beschädigung bzw. den Ausfall des Geräts zur Folge haben und die Sicherheit des Personals beeinträchtigen.**

# Empfehlungen

## ⚠️ GEFAHR

### GEFAHR DER KÖRPERVERLETZUNG

- Alle Bohr- und Schneidarbeiten am Schaltschrank sind in Übereinstimmung mit dem Montageausschnitt durchzuführen (Abbildung F4). Tragen Sie eine persönliche Schutzausrüstung (PSA), um Verletzungen zu vermeiden.
  - Beachten Sie das in Abbildung F5 angegebene Anzugsmoment. Verwenden Sie ausschließlich die im Lieferumfang des Geräts enthaltenen Schrauben und sonstigen Zubehörteile.
  - Für ein sicheres Anheben des Wärmetauschers ist der M6-Hebering an der Geräteoberseite zu verwenden (Abbildung F6). Bei Wärmetauschern mit einem Gewicht über 15 kg / 33 lb sind mindestens zwei Personen erforderlich. Pro Person sollte ein Höchstgewicht von 15 kg / 33 lb eingehalten werden (Abbildung F2).
  - Verwenden Sie nur das im Lieferumfang des Geräts enthaltene Hebematerial.
  - Achten Sie darauf, dass der Wärmetauscher während des Hebevorgangs im Gleichgewicht gehalten wird. Vermeiden Sie Stöße und Erschütterungen. Das könnte Funktionsstörungen im Gerät verursachen.
- Alle von nicht spezialisierten Personen vorgenommenen Änderungen können eine Beschädigung bzw. den Ausfall des Geräts zur Folge haben und die Sicherheit des Personals beeinträchtigen.**

## 6. Elektrischer Anschluss

## ⚠️ GEFAHR

### GEFAHR EINES ELEKTRISCHEN SCHLAGS, EINER EXPLOSION ODER EINES LICHTBOGENS

- Der elektrische Anschluss muss von fachlich qualifiziertem und autorisiertem Personal vorgenommen werden.
  - Die Installation muss den Vorschriften des Landes entsprechen, in dem der Wärmetauscher zum Einsatz kommt.
  - Unterbrechen Sie die Spannungszufuhr zum Schaltschrank, bevor Sie das Gerät anschließen.
  - Die verfügbare Netzspannung muss den auf dem Typenschild des Wärmetauschers angegebenen Werten entsprechen.
  - Die Spannungsversorgung des Wärmetauschers (serieller Anschluss) muss über eine Sicherung oder einen Schutzschalter mit einem Kontaktabstand von mindestens 3 mm im geöffneten Zustand in Übereinstimmung mit den empfohlenen Einstellungen geschützt werden (Abbildung F2).
- Alle von nicht spezialisierten Personen vorgenommenen Änderungen können eine Beschädigung bzw. den Ausfall des Geräts zur Folge haben und die Sicherheit des Personals beeinträchtigen.**

An den Wärmetauscher darf kein Temperaturregelsystem in Serie angeschlossen werden.

## 7. Erstinbetriebnahme und Regulierung

Schalten Sie den Wärmetauscher ein. Der Lüfter, der für die Luftzirkulation im Schaltschrank zuständig ist, wird daraufhin direkt eingeschaltet, sodass im Gehäuseinneren eine gleichmäßige Temperatur erzielt wird. Sobald die Temperatur den im mechanischen Thermostat eingestellten Schwellenwert überschreitet, wird der Außenlüfter eingeschaltet, d. h. der Kühlzyklus beginnt. Der Kühlzyklus endet, sobald die Innentemperatur den unteren Grenzwert des Betriebsdifferentials erreicht, der einen Festwert von 4 K aufweist. Das mechanische Thermostat wird werkseitig auf 35 °C / 95 °F voreingestellt. Sie können die Temperaturvoreinstellung über das an der Rückseite des Wärmetauschers befindliche Thermostat ändern. Um Energie zu sparen und die Kondensation auf ein Minimum zu begrenzen, werden keine Temperaturen unter 30 °C / 86 °F empfohlen.

## 8. Wartung

## ⚠️ GEFAHR

### GEFAHR EINES ELEKTRISCHEN SCHLAGS, EINER EXPLOSION ODER EINES LICHTBOGENS

- Vor jedem Eingriff muss der Wärmetauscher vom Netz getrennt werden.
- Not complying can cause death or serious injury.**

Die einzigen obligatorischen Maßnahmen sind die Reinigung der Wärmetauscherspirale (Abbildung F10) sowie regelmäßige Prüfungen, wie nachstehend angegeben:

Prüfung	Häufigkeit
Prüfung und Reinigung der Außenseite der Wärmetauscherspirale	Alle 2 Monate
Prüfung des Lüfters: Überhitzung oder übermäßige Vibration	Alle 6 Monate

Gehen Sie zur Reinigung der Wärmetauscherspirale vor wie folgt: Nehmen Sie das Gehäuse von der Geräterückseite ab, nehmen Sie die Spirale heraus und beseitigen Sie alle Staubablagerungen mithilfe von Druckluft (mit einem Druck von maximal 4 bar). Entfernen Sie zudem alle Schmier- und Ölsuren mit einem geeigneten Reinigungsmittel (kompatibel mit PVC, PE, PP und Silikon).

## WARNUNG

### GEFAHR EINER BESCHÄDIGUNG DES GERÄTS

- Verwenden Sie bei der Reinigung keine entflammenden und/oder korrosiven Chemikalien.
  - Reinigen Sie das Gerät mit Druckluft mit einem Druck von maximal 4 bar (Abbildung F10).
- Alle von nicht spezialisierten Personen vorgenommenen Änderungen können eine Beschädigung bzw. den Ausfall des Geräts zur Folge haben.**

Trocknen Sie die einzelnen Bauteile vollständig, setzen Sie sie wieder ein und montieren Sie die Baugruppe.

## ⚠️ GEFAHR

### GEFAHR EINES ELEKTRISCHEN SCHLAGS, EINER EXPLOSION ODER EINES LICHTBOGENS

- Nach der Durchführung der Wartung müssen Sie sicherstellen, dass der Masseleiter der Wärmetauscherabdeckung nach wie vor verbunden ist.
  - Gegebenenfalls erforderliche Reparaturen dürfen nur von fachlich qualifiziertem und autorisiertem Personal mit Original-Ersatzteilen durchgeführt werden.
- Alle von nicht spezialisierten Personen vorgenommenen Änderungen können eine Beschädigung bzw. den Ausfall des Geräts zur Folge haben und die Sicherheit des Personals beeinträchtigen.**

## ⚠️ GEFAHR

### GEFAHR DER KÖRPERVERLETZUNG

- Bei Wartungsarbeiten ist eine PSA (Persönliche Schutzausrüstung) zu tragen, um Verletzungen zu vermeiden. Manche Rohre können sich erhitzen und Verbrennungen verursachen.
- Alle von nicht spezialisierten Personen vorgenommenen Änderungen können eine Beschädigung bzw. den Ausfall des Geräts zur Folge haben und die Sicherheit des Personals beeinträchtigen.**

## 9. Transport und/oder Verlagerung des Rahmengestells bei montiertem Kühlgerät

## WARNUNG

### GEFAHR EINER BESCHÄDIGUNG DES GERÄTS

- Der Schaltschrank mit dem montierten Wärmetauscher ist auf einer Palette mit größeren Abmessungen als die Baugruppe abzustellen.
  - Schützen Sie den Wärmetauscher während des Transports mit dem geräteeigenen Container.
  - Vermeiden Sie Stöße und Erschütterungen während des Transports.
  - Bei Transport und Lagerung darf der Wärmetauscher keinesfalls Temperaturen über 70 °C / 158 °F bzw. unter -20 °C / -4 °F sowie keiner Luftfeuchtigkeit über 95 % ausgesetzt werden.
- Alle von nicht spezialisierten Personen vorgenommenen Änderungen können eine Beschädigung bzw. den Ausfall des Geräts zur Folge haben.**

## 10. Technische Informationen

### 10.1 Funktionsprinzip

Der Betrieb des Luft-Luft-Wärmetauschers beruht auf der Übertragung der Wärmekapazität zwischen zwei Luftströmen mit unterschiedlicher Temperatur über ei-ne Fläche mit hohem Wärmeübertragungskoeffizienten (Abbildung F11), die die Isolierung dieser beiden Umgebungen gewährleistet, um zu vermeiden, dass Schmutz oder kontaminierende Stoffe von außen in das Innere eindringen.

### 10.2 Sicherheitsvorrichtungen

Die Lüfter sind mit einer internen Abschaltvorrichtung ausgestattet, die im Fall einer übermäßigen Erhitzung die Unterbrechung der Spannungszufuhr gewährleistet.

### 10.3 Entsorgung und Recycling

## WARNUNG

### GEFAHR FÜR DIE UMWELT

- Austausch, Reparatur und definitive Entsorgung müssen von Fachleuten durchgeführt werden.
- Alle von nicht spezialisierten Personen vorgenommenen Änderungen können Schäden verursachen.**

- Am Ende des Lebens-/Betriebszyklus ist folgendermaßen vorzugehen:
- Demontieren und sortieren Sie die Innenteile, um ei-ne detaillierte Sammlung zur Materialwiederverwertung zusammenzustellen (Stahl, Kupfer, Aluminium, Kunststoff usw.).

In jedem Fall müssen Sie die geltenden Vorschriften des Landes beachten, in dem das Gerät verwendet wird.

### HINWEIS

Bewahren Sie die Dokumentation sicher an einem trockenen Ort auf.

## Störungen und Lösungsvorschläge

Störung	Situation	Ursachen	Lösungsvorschlag
Das Gerät kühlt nicht	Keine der Gerätekomponenten funktioniert	Das Gerät wird nicht mit Spannung versorgt	Stellen Sie sicher, dass die Spannungsversorgung eingeschaltet ist und dass alle Türen und Leistungsschalter geschlossen sind.
	Der Außenlüfter funktioniert nicht	<ul style="list-style-type: none"> <li>- Die Temperatur im Inneren des Schaltschranks ist niedriger als die über das Thermostat vorgegebene Temperatur.</li> <li>- Das mechanische Thermostat ist beschädigt oder wurde nicht ordnungsgemäß angeschlossen.</li> <li>- Der Lüfter wurde nicht ordnungsgemäß angeschlossen.</li> <li>- Der Lüfter ist defekt.</li> <li>- Der Verdichter ist defekt (sofern vorhanden)</li> </ul>	<ul style="list-style-type: none"> <li>- Reduzieren Sie die Temperatur am Thermostat, bis der Lüfter anläuft. Kehren Sie dann wieder zu den vorherigen Einstellungen zurück.</li> <li>- Vergewissern Sie sich, dass der Lüfter ordnungsgemäß angeschlossen ist oder wechseln Sie das Thermostat aus.</li> <li>- Stellen Sie sicher, dass der Lüfter ordnungsgemäß angeschlossen wurde.</li> <li>- Wechseln Sie den Lüfter aus.</li> <li>- Wechseln Sie den Verdichter aus.</li> </ul>
	Der Innenlüfter funktioniert nicht	<ul style="list-style-type: none"> <li>- Der Lüfter wurde nicht ordnungsgemäß angeschlossen.</li> <li>- Der Lüfter ist defekt.</li> <li>- Der Verdichter ist defekt (sofern vorhanden)</li> </ul>	<ul style="list-style-type: none"> <li>- Stellen Sie sicher, dass der Lüfter ordnungsgemäß angeschlossen wurde.</li> <li>- Wechseln Sie den Lüfter aus.</li> <li>- Wechseln Sie den Verdichter aus.</li> </ul>
	Die Lüfter funktionieren	<ul style="list-style-type: none"> <li>- Die Wärmetauscherspirale ist verschmutzt oder verstopft.</li> <li>- Die Lufttemperatur liegt über der Betriebsobergrenze</li> </ul>	<ul style="list-style-type: none"> <li>- Reinigen Sie den Wärmetauscher.</li> <li>- Lüften Sie den Bereich, in dem sich der Schaltschrank befindet, um die Umgebungstemperatur zu senken.</li> </ul>



# Recomendaciones

## 1. Uso previsto del intercambiador

Los intercambiadores de calor descritos en este manual se han desarrollado y construido para refrigerar el aire contenido en el interior de los armarios eléctricos o electrónicos a fin de proteger los dispositivos ubicados en su interior sensibles a las temperaturas elevadas, a la vez que proporcionan una protección IP55 (figura F2) contra la entrada de sustancias contaminantes y de agentes agresivos, en instalaciones en interior. La temperatura de regulación no debe ser demasiado baja. Se aconseja una temperatura de 35 °C / 95 °F. Se recuerda que el grupo está dotado de un termostato electromecánico regulable, por lo tanto el intercambiador de calor se pone en marcha sólo cuando se alcanza la temperatura asignada. La placa de características del aparato se encuentra en la tapa externa del mismo, la que lleva el número de fabricación está situada en la estructura o en la misma tapa. Es importante que este manual de instrucciones se conserve.

### PELIGRO

#### RIESGO DE DESCARGA ELÉCTRICA, EXPLOSIÓN O ARCO ELÉCTRICO

- Todas las advertencias indicadas deben ser leídas con detenimiento durante la instalación, puesta en marcha y en general cada vez que se crea necesario.
  - Bajo ningún pretexto no se debe alterar ni modificar las características del propio aparato.
  - La instalación debe ser realizada por personal competente y calificado.
  - En el caso de apertura de la tapa, asegurarse de haber desconectado el circuito de alimentación. Al final de eventuales manipulaciones efectuadas con la tapa abierta, asegurarse de que está bien cerrada antes de conectar de nuevo el intercambiador.
  - Deberán ser respetadas las Directrices y Normas vigentes en el país de utilización, desde el momento de la instalación hasta su eliminación.
  - El cumplimiento exacto e integral de todas las Normas, indicaciones y prohibiciones expuestas en este manual, constituyen una condición esencial para el correcto funcionamiento del producto. Declinamos por lo tanto cualquier responsabilidad derivada por la falta de cumplimiento, incluso parcial, de estas recomendaciones.
- Las manipulaciones efectuadas por personal no especializado pueden causar daños o averías y arriesgar la seguridad de las personas.**

El fabricante no se hace responsable de los daños producidos o derivados del incumplimiento, tanto de las instrucciones indicadas en el presente manual, como las correspondientes a las Directivas CEE 89/392 y su respectivas enmiendas.

## 2. Características técnicas

(Figuras F1 y F2)

## 3. Suministro

El embalaje contiene:

- |   |   |  |
|---|---|--|
|   | 1 | intercambiador de calor aire-aire          |
|   | 1 | manual de instalación, uso y mantenimiento |
| ① | 4 | tornillos M6x16 mm                         |
| ② | 1 | junta completa autoadhesiva                |
| ③ | 4 | arandelas planas 6.4x12 mm                 |
| ④ | 4 | tornillos autorroscantes 4.2x9.5 mm        |
| ⑤ | 2 | deflectores                                |
|   | 1 | cáncamo M6                                 |

## 4. Operaciones previas al montaje

### AVISO

#### RIESGO DE DAÑOS EN EL PRODUCTO

- Durante el transporte y el almacenamiento, el intercambiador no debe exponerse a temperaturas superiores a 70 °C / 158 °F ni inferiores a -20 °C / -4 °F y/o humedad relativa superior a +95%.
  - El embalaje no debe presentar daños derivados del transporte (no deterioro, roturas, arañazos, marcas de aceite, ...) Hay que comprobarlo en el momento de la recepción. Si los hubiera, haga un nota en el recibo de recepción.
  - Comprobar que el ambiente externo no presente concentración de contaminantes sólidos y/o químicos agresivos de modo excesivo, según IEC 62208.
  - Los flujos del aire en entrada y en salida del intercambiador no deben estar obstaculizados por paredes u objetos demasiado cercanos. A tal fin, por lo que respecta al flujo de aire externo, mantener las distancias mínimas (figura F7). Además, el flujo del aire interno al armario no debe estar obstaculizado por componentes eléctricos presentes en el armario. Se debe mantener mínimo 10 cm entre el intercambiador y el producto montado en el interior de la envolvente (figura F12).
- Las manipulaciones efectuadas por personal no especializado pueden causar daños o averías.**

Tras abrir el embalaje comprobar que el modelo es el solicitado. La potencia frigorífica y la tensión eléctrica se muestra en la placa de características del producto (lateral del climatizador). Comprobar que todos los componentes del apartado 3 están incluidos.

Antes de realizar los taladros y el corte sobre el armario, verificar que los elementos de fijación y acoplamiento no estorbarán ni interferirán con el aparellaje colocado en el armario. El intercambiador debe instalarse con el orificio de aspiración del aire del armario en el punto más alto posible.

Está prohibido hacer modificaciones en el producto si estas no están escritas en éste manual u otros documentos de Schneider.

### PELIGRO

#### RIESGO DE DESCARGA ELÉCTRICA, EXPLOSIÓN O ARCO ELÉCTRICO

- La temperatura ambiente del lugar de instalación del armario no debe ser superior a 55 °C / 131 °F (según frecuencia) ni inferior a -5 °C / 23 °F y/o humedad relativa superior a +95%, o en cualquier caso, no debe ser superior a la máxima temperatura de funcionamiento del intercambiador especificada en la placa de datos del mismo (figura F2). Colocar el intercambiador lejos de fuentes de calor o flujos de aire caliente (figura F12).
  - La estanqueidad del armario ha de ser IP55 o superior. De no ser así puede formarse una excesiva condensación. Por consiguiente, sellar bien los pasos de los cables u otras aperturas en el armario, sobre todo por el suelo y entradas de cables.
  - La tensión de alimentación disponible debe coincidir con las características indicadas en la placa de datos del intercambiador.
  - El intercambiador debe instalarse en la posición prevista. La desviación máxima de la línea perpendicular es de 2°.
  - Asegurarse que el lateral o puerta del armario pueda soportar el peso del intercambiador. Se recomienda el uso del software ProClima para comprobar si la envolvente soporta el peso del intercambiador.
- Las manipulaciones efectuadas por personal no especializado pueden causar daños o averías y arriesgar la seguridad de las personas.**

## 5. Montaje

### PELIGRO

#### RIESGO DE DESCARGA ELÉCTRICA, EXPLOSIÓN O ARCO ELÉCTRICO

- Antes de realizar cualquier operación dentro del armario hay que desconectar la alimentación.
  - Para colocar la junta en el intercambiador (figura F5), seguir la secuencia numérica indicada en el apartado 3 (1 a 3). Colocar la junta en el intercambiador. Es importante colocar bien la junta para asegurar el IP.
- Las manipulaciones efectuadas por personal no especializado pueden causar daños o averías y arriesgar la seguridad de las personas.**

### PELIGRO

#### RIESGO DE DAÑO FÍSICO A PERSONAS

- Efectuar los taladros y los cortes en el armario según plantilla de perforación (figura F4). Utilizar EPI (equipo de protección individual) para evitar daños personales.
  - Respetar el par de apriete indicado en la figura F5). Sólo utilizar tornillos y accesorios incluidos en el producto.
  - Para levantar el intercambiador con seguridad, se debe utilizar el cáncamo M6 situado en la parte superior del intercambiador (figura F6). Se recomiendan mínimo dos personas para la instalación de intercambiadores de peso superior a 15 kg / 33 lb. Se recomienda un máximo de 15 kg / 33 lb por persona (figura F2).
  - Utilizar sólo accesorios de elevación suministrados con el producto.
  - Mantener el intercambiador equilibrado durante la operación de elevación. Evitar golpes. Esto podría causar fallos en el producto.
- Las manipulaciones efectuadas por personal no especializado pueden causar daños o averías y arriesgar la seguridad de las personas.**

## 6. Conexión eléctrica

### PELIGRO

#### RIESGO DE DESCARGA ELÉCTRICA, EXPLOSIÓN O ARCO ELÉCTRICO

- La conexión eléctrica debe ser efectuada por personal especializado y autorizado.
  - La instalación debe estar conforme a las Normativas del país donde el climatizador va a ser usado.
  - Quitar la tensión al armario antes de efectuar la conexión.
  - La tensión de alimentación disponible debe coincidir con los valores indicados en la placa de datos del intercambiador.
  - La alimentación del intercambiador debe estar protegida (conexión en serie) por un fusible o un interruptor magnetotérmico con distancia entre los contactos de 3 mm como mínimo cuando está abierto según los valores de regulación indicados (figura F2).
- Las manipulaciones efectuadas por personal no especializado pueden causar daños o averías y arriesgar la seguridad de las personas.**

No debe haber conectado en serie al intercambiador ningún sistema de control de temperatura.

# Recomendaciones

## 7. Primera puesta en marcha y regulación

Encender el intercambiador. El ventilador que mueve el aire del armario se pondrá inmediatamente en funcionamiento, consiguiendo así una temperatura uniforme en el interior del armario. Si esta temperatura es superior al umbral establecido en el termostato mecánico, se activa el ventilador del aire exterior, iniciando así el ciclo de refrigeración. El ciclo de refrigeración termina cuando la temperatura interna alcanza el límite inferior del diferencial de funcionamiento, que tiene un valor fijo de 4 K. El termostato mecánico se pre-establece en fábrica a 35 °C / 95 °F. Para modificar la programación de la temperatura hay que acceder al termostato situado en la parte trasera del intercambiador. Para el ahorro energético y reducir al mínimo la producción de agua de condensación, se aconseja no descender por debajo de 30 °C / 86 °F .

## 8. Mantenimiento

**⚠️ PELIGRO**

**RIESGO DE DESCARGA ELÉCTRICA, EXPLOSIÓN O ARCO ELÉCTRICO**

- Antes de efectuar cualquier intervención, el intercambiador debe quedar desconectado de la red eléctrica.

**Su incumplimiento puede provocar muerte o lesiones graves.**

La única intervención necesaria es la limpieza de la batería de intercambio (figura F10) y el control periódico según cuanto indicado a continuación:

Intervención	Frecuencia
Control y limpieza batería lado ambiente	Cada 2 meses
Verificación ventiladores: sobrecalentamiento o vibración excesiva	Cada 6 meses

En cuanto la limpieza de la batería realizar siguiendo del siguiente modo: soltar la carcasa anterior, extrae la batería y eliminar el polvo (soplando con aire comprimido con presión no superior a 4 bar) y residuos de grasa y aceite con un detergente conveniente, compatible con PVC, PE, PP y silicona.

**AVISO**

**RIESGO DE DAÑOS EN EL PRODUCTO**

- No utilizar productos químicos inflamables y/o corrosivos durante las operaciones de limpieza.
- Limpiar con aire comprimido a una presión máxima de 4 bar (figura F10).

**Las manipulaciones efectuadas por personal no especializado pueden causar daños o averías.**

Finalmente colocar, secar bien y montar.

**⚠️ PELIGRO**

**RIESGO DE DESCARGA ELÉCTRICA, EXPLOSIÓN O ARCO ELÉCTRICO**

- Tras efectuar el mantenimiento es muy importante comprobar que el cable de tierra de la cubierta del intercambiador sigue conectado.
- Las reparaciones que pudieran ser necesarias sólo podrán ser efectuadas por personal especializado y autorizado, utilizando exclusivamente recambios originales.

**Las manipulaciones efectuadas por personal no especializado pueden causar daños o averías y arriesgar la seguridad de las personas.**

**⚠️ PELIGRO**

**RIESGO DE DAÑO FÍSICO A PERSONAS**

- Durante el mantenimiento utilizar EPI (equipo de protección individual) para evitar daños personales. Algunos tubos pueden estar calientes y pueden provocar quemaduras.

**Las manipulaciones efectuadas por personal no especializado pueden causar daños o averías y arriesgar la seguridad de las personas.**

## 9. Transporte y/o desplazamiento del cuadro con el intercambiador montado

**AVISO**

**RIESGO DE DAÑOS EN EL PRODUCTO**

- El cuadro eléctrico con el intercambiador montado ha de colocarse en un palet de dimensiones superiores al conjunto.
- Proteger el producto durante el transporte con el cartón propio del intercambiador.
- Evitar choques durante el transporte.
- Durante el transporte y el almacenamiento, el intercambiador no debe exponerse a temperaturas superiores a 70 °C / 158 °F ni inferiores a -20 °C / -4 °F y/o humedad relativa superior a +95 %.

**Las manipulaciones efectuadas por personal no especializado pueden causar daños o averías.**

## 10. Información técnica

### 10.1 Principio de funcionamiento

El principio de funcionamiento de los intercambiadores de calor aire-aire se basa en la transferencia de la potencia térmica entre dos flujos de aire que trabajan a diferentes temperaturas, a través de una superficie con alto coeficiente de intercambio térmico (figura F11) que mantiene separados los dos ambientes para evitar que la suciedad y agentes contaminantes pasen del ambiente exterior al interior.

### 10.2 Dispositivos de seguridad

Los ventiladores están dotados internamente de un protector que interrumpe el funcionamiento en caso de sobretemperatura anómala.

### 10.3 Eliminación y reciclaje

**AVISO**

**RIESGO DE DAÑOS MEDIOAMBIENTALES**

- La sustitución, reparación y la eliminación final deben ser realizadas por expertos.

**Las manipulaciones efectuadas por personal no especializado pueden causar daños.**

Cuando el ciclo de vida/productivo llegue a su fin es necesario proceder como sigue:

- desmontar y subdividir las unidades internas con el fin de realizar una recogida diversificada para la recuperación de los materiales (acero, cobre, aluminio, plástico, etc...)

En todos los casos, se deben tener en cuenta las Normas en vigor del País donde se utiliza.

### NOTA

Guarden cuidadosamente la documentación en un sitio seco.

## Solución de las anomalías

Anomalia	Condiciones	Causas	Solución
No refrigera	No funciona ningún componente	Falta tensión a la unidad	Verificar la presencia de tensión y el cierre de la puerta y interruptores
	El ventilador lado ambiente no funciona	<ul style="list-style-type: none"> <li>- La temperatura dentro del armario es más baja que la establecida en el termostato.</li> <li>- El termostato mecánico está averiado o mal conectado.</li> <li>- El ventilador no está bien conectado.</li> <li>- El ventilador está averiado.</li> <li>- Condensador averiado (cuando exista)</li> </ul>	<ul style="list-style-type: none"> <li>- Bajar la temperatura en el termostato hasta que el ventilador empiece a funcionar. Entonces resetear el ajuste.</li> <li>- Comprobar que está bien conectado, o, sustituir el termostato.</li> <li>- Comprobar que el ventilador está bien conectado.</li> <li>- Sustituir el ventilador.</li> <li>- Sustituir el condensador</li> </ul>
	El ventilador lado armario no funciona	<ul style="list-style-type: none"> <li>- El ventilador no está bien conectado.</li> <li>- El ventilador está averiado.</li> <li>- Condensador averiado (cuando exista)</li> </ul>	<ul style="list-style-type: none"> <li>- Comprobar que el ventilador está bien conectado.</li> <li>- Sustituir el ventilador.</li> <li>- Sustituir el condensador</li> </ul>
	Los ventiladores funcionan	<ul style="list-style-type: none"> <li>- Bateria de intercambio térmico sucia u obstruida</li> <li>- Temperatura ambiente superior al límite máximo de funcionamiento</li> </ul>	<ul style="list-style-type: none"> <li>- Limpiar el intercambiador</li> <li>- Ventilar el local en el que está ubicado el armario para bajar la temperatura del ambiente</li> </ul>



# 建議

## 1. 热交换器的用途

我们开发和装配本手册中所述的热交换器以冷却电气或电子机箱内部所含的空气，从而保护其内部对温度升高敏感的装置，同时为侧面安装型号提供针对污染物和腐蚀性剂侵入内部安装的 IP55 级保护（图 F2）。控制温度不应过低。建议温度为 35° C / 95° F。该组配备可调机电恒温器，因此热交换器仅在达到指定温度时启动。装置铭牌位于外盖上，显示序列号的铭牌位于机架上或同一个盖上。务必遵循本手册中的说明。

**⚠️ ⚠️ 危险**

**存在电击、爆炸或电弧闪烁风险**

- 在安装、启动期间以及通常看起来需要的任何情况下都必须认真阅读所有警告信息。
- 在任何情况下，都不应转换或改变仪器本身的特性。
- 安装必须由具备相应能力和资质的人员执行。
- 如果需要打开盖子，确保先断开电源电路。在打开盖子进行的任何活动结束后，确保正确关闭盖子，然后再重新连接热交换器。
- 从安装到处理全程中必须始终遵守使用地点所在国家/地区适用的指导方针和法规。
- 准确而全面地遵从本手册中规定的所有规则、说明和禁令是确保产品正确工作的基本条件。因此，我们对于任何未能遵循甚至是仅部分遵循这些建议的问题不承担任何责任。

**非专业人员进行的任何改装都可能会造成损坏或故障，并危及人身安全。**

对于因未遵循本手册中所示的说明（例如，关于 EEC 指令 89/392 及其相应修正案的说明）而导致或产生的任何损失，制造商将不承担任何责任。

## 2. 技术细节

（图 F1 和 F2）

## 3. 电源

该套件包含：

- |   |                   |
|---|-------------------|
| 1 | 空气至空气热交换器         |
| 1 | 安装、使用和维护手册        |
| ① | 4 M6x16 mm 螺钉     |
| ② | 1 自粘密封垫片          |
| ③ | 4 6.4x12 mm 平垫圈   |
| ④ | 4 4.2x9.5 mm 自攻螺钉 |
| ⑤ | 2 挡板              |
| 1 | M6 吊环             |

## 4. 预安装操作

**警告**

**产品损坏风险**

- 在运输和存放期间，热交换器禁止暴露于温度超过 70° C / 158° F 或低于 -20° C / -4° F 以及/或者湿度超过 95% 的环境。
- 包装不得有任何运输损坏（无磨损、破裂、划痕、油污...）。签收时必须进行检查。如果存在此类损坏，将其记录在验收凭据上。
- 按照 IEC 62208 检查外部环境是否存在任何高浓度的固态污染物和/或大量腐蚀性化学物质。
- 热交换器的进气口和排气口都不应被墙壁或距离太近的物品阻挡。为此，对于外部气流，应当保持最小距离（图 F7）。此外，机箱内部的气流不得受到任何内部电气组件阻碍。热交换器与安装在机箱内部的产品之间保持至少 10 cm 的距离（图 F12）。

**非专业人员进行的任何改装都可能会造成损坏或故障。**

打开套件后，检查该型号是否为订购的型号。冷却能力和电压显示在铭牌上（热交换器侧面）。验证第 3 节中包含的所有组件。

在机柜上钻孔或进行切割之前，检查紧固件和连接装置是否会妨碍或干扰机箱上的开关设备。热交换器安装后，机箱的进气口必须尽可能位于最高点。

禁止对产品进行本手册或其他 Schneider 文档中未列出的任何改装。

**⚠️ ⚠️ 危险**

**存在电击、爆炸或电弧闪烁风险**

- 机箱安装区域的温度不得超过 55° C / 131° F（根据频率）或低于 -5° C / 23° F 且/或相对湿度不得超过 +95%，在任何情况下都不得超过装置铭牌上指定的热交换器最高工作温度（图 F2）。将热交换器放在远离热源和热气流的位置（图 F12）。
- 机箱密封性必须达到 IP55 或更高等级。如果未达到此要求，则可能会出现过多冷凝水。因此，需要严格地密封电缆孔和机箱上的其他开口，特别是靠近地面和电缆入口处。
- 可用电源电压必须与热交换器信息标牌上标注的特性一致。
- 热交换器必须安装在预定位置。与垂直线的最大偏高度为 2°。
- 确保机箱的侧面或门可支撑热交换器的重量。建议使用 ProClima 软件验证机箱能够承受热交换器的重量。

**非专业人员进行的任何改装都可能会造成损坏或故障，并危及人身安全。**

## 5. 安装

**⚠️ ⚠️ 危险**

**存在电击、爆炸或电弧闪烁风险**

- 在机箱内执行任何活动之前，必须先断开电源。
- 为了在冷却装置上放置密封垫（图 F5 和 F6），请按顺序执行第 3 节中的步骤（1 至 6）。
- 为了在热交换器上放置密封垫（图 F5），请按顺序执行第 3 节中的步骤（1 至 3）。将密封垫装入热交换器。务必正确放置密封垫以确保良好的 IP。

**非专业人员进行的任何改装都可能会造成损坏或故障，并危及人身安全。**

**⚠️ 危险**

**人身伤害风险**

- 按照钻孔模板在机箱上钻孔和进行切割（图 F4）。使用 IPE（个人防护装具）以防止人员受伤。
- 采用图 F5 中所所示的扭矩。仅使用本产品随附的螺钉和附件。
- 必须使用位于热交换器顶部的 M6 吊环（图 F6），以便安全提起装置。对于重量超过 15 kg / 33 lb 的热交换器，建议最少由两个人处理。建议每人分担最多 15 kg / 33 lb 的重量（图 F2）。
- 仅使用本产品随附的吊装附件。
- 在吊装操作中使热交换器保持平衡。避免碰撞。那样可能会造成产品故障。

**非专业人员进行的任何改装都可能会造成损坏或故障，并危及人身安全。**

## 6. 电气连接

**⚠️ ⚠️ 危险**

**存在电击、爆炸或电弧闪烁风险**

- 电气连接必须由获得授权的专业人员进行。安装必须符合冷却装置使用地点所在国家/地区的法规。
- 进行连接之前切断机箱的电源。
- 可用电源电压必须与热交换器信息标牌上标注的值一致。
- 热交换器的电源必须按照推荐的设置使用保险丝或断路器时触点间隙至少为 3 mm 的断路器进行保护（串联）（图 F2）。

**非专业人员进行的任何改装都可能会造成损坏或故障，并危及人身安全。**

在热交换器的串联电路中不能有温度控制系统。

## 7. 首次启动和调节

打开热交换器。用于循环机箱空气的换气扇立即启动，从而使机箱内部达到均匀的温度。如果此温度超过在机械恒温器中设定的阈值，外部换气扇将激活，启动制冷循环。当内部温度达到运行差值下限（4 K 的固定值）时，冷却周期结束。机械恒温器在出厂时设定为 35° C / 95° F。要更改温度设置，找到位于热交换器后部的恒温器。为了节省能量并尽可能减少冷凝水的产生，建议不要将温度设置为低于 30° C / 86° F 的值。

# 建議

## 8. 维护

<b>警告</b>	
<p>存在电击、爆炸或电弧闪烁风险</p> <ul style="list-style-type: none"> <li>■ 在进行任何介入之前，都必须断开冷却装置的电源。</li> </ul> <p>未遵循此要求可能会造成死亡或严重受伤。</p>	

唯一的必需操作是清洁热交换器盘管（图 F10）并按照下面的说明定期进行监测：

介入	频率
控制和清洁热交换器盘管外侧	每 2 个月
检查换气扇：过热或过度振动	每 6 个月

按照以下方式进行热交换器盘管清洁：从后面打开机箱。拆下盘管并吹去灰尘（使用压力不超过 4 巴的压缩空气），使用适当的清洁产品（兼容 PVC、PE、PP 和硅树脂）清除任何润滑油或机油痕迹。

<b>警告</b>	
<p>产品损坏风险</p> <ul style="list-style-type: none"> <li>■ 在清洁操作中，切勿使用易燃和/或腐蚀性化学物质。</li> <li>■ 使用最大压力为 4 巴的压缩空气进行清洁（图 F10）。</li> </ul> <p>非专业人员进行的任何改装都可能会造成损坏或故障。</p>	

最后，更换零件、彻底干燥并进行组装。

<b>⚠ 危险</b>	
<p>存在电击、爆炸或电弧闪烁风险</p> <ul style="list-style-type: none"> <li>■ 执行任何维护工作后，务必检查热交换器盖上的接地线仍然连接完好。</li> <li>■ 所需的维修工作只能由获得授权的专业人员使用原装备件进行。</li> </ul> <p>非专业人员进行的任何改装都可能会造成损坏或故障，并危及人身安全。</p>	

<b>⚠ 危险</b>	
<p>人身伤害风险</p> <ul style="list-style-type: none"> <li>■ 在维护过程中，使用 IPE（个人防护装具）防止受伤。有些管道很热，可能会造成烫伤。</li> </ul> <p>非专业人员进行的任何改装都可能会造成损坏或故障，并危及人身安全。</p>	

## 9. 运输和/或安装冷却装置后连架移动

<b>警告</b>	
<p>产品损坏风险</p> <ul style="list-style-type: none"> <li>■ 安装热交换器后的电气柜放在尺寸大于该总成的托盘上。</li> <li>■ 运输期间使用热交换器自带的容器保护本产品。</li> <li>■ 运输过程中避免撞击。</li> <li>■ 在运输和存放期间，热交换器禁止暴露于温度超过 70° C / 158° F 或低于 -20° C / -4° F 以及/或者湿度超过 95% 的环境。</li> </ul> <p>非专业人员进行的任何改装都可能会造成损坏或故障。</p>	

## 10. 技术信息

### 10.1 功能原理

空气至空气热交换器的工作原理基于两股工作于不同温度的气流之间通过具有高导热系数的表面进行的热容量传递（图 F11），此表面保持两种环境互相隔离，以避免灰尘和污染物从外部进入内部。

### 10.2 安全设备

换气扇具有内部断电装置，它可在过热情况下切断电源。

### 10.3 处理和回收。

<b>警告</b>	
<p>环境危害风险</p> <ul style="list-style-type: none"> <li>■ 更换、修理和最终处理都必须由专业人员进行。</li> </ul> <p>非专业人员进行的任何改装都可能会造成损坏。</p>	

- 当使用寿命/生产周期结束时，需要执行下面的步骤：
- 拆解和细分内部装置，进行多元化收集以回收不同材料（钢、铜、铝、塑料等...）

在所有情况下，都应考虑使用地点所在国家/地区的现行法规。

**注**  
小心地将文档存放在干燥地点。

## 异常情况解决方法

异常情况	条件	原因	解决方法
无法制冷	无组件工作	装置未获得电源	检查是否有电、门是否关闭、断路器是否闭合
	外部换气扇不工作	<ul style="list-style-type: none"> <li>- 机箱内部温度低于恒温器设定的温度。</li> <li>- 机械恒温器损坏或连接不正确。</li> <li>- 换气扇连接不正确。</li> <li>- 换气扇故障。</li> <li>- 冷凝器故障（如果存在）</li> </ul>	<ul style="list-style-type: none"> <li>- 降低恒温器温度，直至换气扇开始工作。然后调整此设置。</li> <li>- 检查恒温器是否正确连接或更换恒温器。</li> <li>- 检查换气扇是否正确连接。</li> <li>- 更换换气扇。</li> <li>- 更换冷凝器。</li> </ul>
	内部换气扇不工作	<ul style="list-style-type: none"> <li>- 换气扇连接不正确。</li> <li>- 换气扇故障。</li> <li>- 冷凝器故障（如果存在）</li> </ul>	<ul style="list-style-type: none"> <li>- 检查换气扇是否正确连接。</li> <li>- 更换换气扇。</li> <li>- 更换冷凝器。</li> </ul>
	换气扇正常工作	<ul style="list-style-type: none"> <li>- 热交换盘管脏污或堵塞</li> <li>- 环境温度超过最大工作限制</li> </ul>	<ul style="list-style-type: none"> <li>- 清洁热交换器</li> <li>- 在机箱所在区域中通风以降低环境温度</li> </ul>

# Рекомендации

## 1. Предназначение теплообменника

Теплообменник, описанный в настоящем руководстве, разработан и сконструирован для охлаждения воздуха, находящегося внутри корпуса электрических или электронных устройств, для защиты приборов, чувствительных к росту температур внутри узла, и вместе с тем для обеспечения защиты IP55 для моделей с боковым монтажом (рисунок F2) от попадания загрязняющих веществ и агрессивных реагентов при установке внутри помещения.

Контрольная температура не должна быть слишком низкой. Рекомендуется температура 35 °C/95 °F. Группа комплектуется регулируемым электромеханическим термостатом, за счет чего теплообменник запускается только при достижении заданной температуры. Паспортная табличка узла размещается на наружной крышке, табличка с серийным номером расположена на раме или на этой же крышке. Важно следовать изложенным в руководстве инструкциям.

### **ОПАСНОСТЬ**

#### **ОПАСНОСТЬ ПОРАЖЕНИЯ ЭЛЕКТРИЧЕСКИМ ТОКОМ, ВЗРЫВА ИЛИ ВСПЫШКИ ДУГИ**

- Необходимо внимательно прочитать все предупреждения относительно установки и пуска, а также других ситуаций, если это необходимо.
  - Ни при каких обстоятельствах не следует изменять или совершенствовать характеристики изделия.
  - Монтажные работы должны выполняться компетентным и квалифицированным персоналом.
  - При открытии крышки узла обеспечить предварительное отключение цепей электропитания. После завершения любых действий с открытой крышкой, обеспечить правильное закрытие крышки перед повторным включением электропитания теплообменника.
  - Следует постоянно соблюдать рекомендации и правила, действующие в стране эксплуатации, на стадиях от монтажа до утилизации изделия.
  - Всестороннее и точное соответствие всем правилам, инструкциям и указаниям, изложенным в данном руководстве, является существенным условием для надлежащего функционирования изделия. Производитель не несет ответственности за несоблюдение (даже частичное) данных требований.
- Любые модификации, выполненные неспециализированным персоналом, могут вызвать повреждение или поломку оборудования и поставить под угрозу личную безопасность.**

Производитель не несет ответственности за любое повреждение, вызванное или ставшее результатом какого бы то ни было несоблюдения нормативных требований, указанных в данном руководстве, например, Директив ЕЕС 89/392 и соответствующих поправок к ним.

## 2. Технические данные (Рисунки F1 и F2)

## 3. Комплектация поставляемого оборудования

Комплект состоит из следующих узлов и агрегатов:

- |   |   |
|---|---|
| 1 | Воздуховоздушный теплообменник                      |
| 1 | Руководство по монтажу, эксплуатации и обслуживанию |
| ① | 4 Винты M6x16 мм                                    |
| ② | 1 Самоклеющаяся уплотнительная прокладка            |
| ③ | 4 Плоские шайбы 6,4x12 мм                           |
| ④ | 4 Самонарезные винты 4,2x9,5 мм                     |
| ⑤ | 2 Дефлекторы  |
| 1 | Подъемные кольца M6                                 |

## 4. Подготовка к монтажу

### **ВНИМАНИЕ**

#### **РИСК ПОВРЕЖДЕНИЯ ИЗДЕЛИЯ**

- Во время транспортировки и хранения теплообменник не должен подвергаться воздействию температур выше 70 °C/ 158 °F или ниже -20 °C/-4 °F, и/или относительной влажности воздуха более 95%.
  - Упаковка не должна иметь каких-либо повреждений, полученных при транспортировке (отсутствие нарушения целостности, щелей, царапин, следов масла, ...). Проверку состояния упаковки нужно выполнить при приемке груза. При наличии каких-либо повреждений выполните отметку в приемной накладной.
  - Убедитесь в том, что внешняя среда не содержит твердых загрязняющих веществ и/или избыточное количество агрессивных химических веществ согласно IEC 62208
  - Отверстия для впуска и выпуска воздуха теплообменника не должны быть заблокированы стенами или близко расположенными объектами. Для этого следует соблюдать минимальные расстояния с учетом наружного воздушного потока (рисунок F7). Кроме того, воздушному потоку внутри корпуса не должны мешать какие-либо внутренние электрические компоненты. Выдерживайте расстояние минимум 10 см между теплообменником и изделием, установленным внутри корпуса (рисунок F12).
- Любые модификации, выполненные неспециализированным персоналом, могут вызвать повреждение или поломку оборудования.**

После распаковки комплекта убедиться в том, что полученная модель соответствует заказанной. Мощность охладительной установки и напряжение указаны на паспортной табличке устройства (сторона теплообменника). Убедитесь в наличии всех компонентов, указанных в разделе 3.

Перед сверлением или резкой в шкафу убедитесь в том, что фиксаторы и соединение не препятствуют или не мешают распределительной аппаратуре, размещенной в корпусе. Теплообменник следует устанавливать таким образом, чтобы заборник воздуха находился по возможности в самой высокой точке корпуса.

Запрещены любые модификации изделия, не указанные в настоящем руководстве или в другой документации Schneider.

### **ОПАСНОСТЬ**

#### **ОПАСНОСТЬ ПОРАЖЕНИЯ ЭЛЕКТРИЧЕСКИМ ТОКОМ, ВЗРЫВА ИЛИ ВСПЫШКИ ДУГИ**

- Температура в зоне установки корпуса не должна превышать 55 °C/131 °F (в зависимости от частоты) или быть меньше -5 °C/23 °F, а относительная влажность воздуха не должна быть выше +95 %. При любых обстоятельствах температура не должна быть больше, чем максимальная рабочая температура, указанная на табличке устройства (рис. F2). Размещайте теплообменник вдали от источника тепла и потоков горячего воздуха (рисунок F12).
  - Уплотнение корпуса должно соответствовать степени защиты IP55 или выше. Невыполнение этих условий может привести к образованию чрезмерного количества конденсата. В таком случае надежно загерметизируйте отверстия под кабели и другие отверстия в корпусе, в особенности, отверстия, расположенные вблизи пола, и кабельные вводы.
  - Доступное напряжение электропитания должно соответствовать характеристикам, указанным на информационной табличке на теплообменнике.
  - Узел охлаждения следует устанавливать в указанном положении. Максимальное отклонение от перпендикулярной линии 2°.
  - Убедитесь в том, что боковины и дверь корпуса могут выдержать вес теплообменника. Рекомендуется использовать программное обеспечение ProClima для проверки способности корпуса выдержать вес теплообменника.
- Любые модификации, выполненные неспециализированным персоналом, могут вызвать повреждение или поломку оборудования и поставить под угрозу личную безопасность.**

## 5. Монтаж

### **ОПАСНОСТЬ**

#### **ОПАСНОСТЬ ПОРАЖЕНИЯ ЭЛЕКТРИЧЕСКИМ ТОКОМ, ВЗРЫВА ИЛИ ВСПЫШКИ ДУГИ**

- Перед выполнением любых действий внутри корпуса электропитание следует отключать.
  - При установке уплотнения в теплообменник (рис. F5) руководствуйтесь пронумерованной последовательностью действий, указанной в разделе 3 (пункты от 1 до 3). Вставьте уплотнение в теплообменник. Для обеспечения соответствующего класса защиты (IP) важно правильно установить уплотнение.
- Любые модификации, выполненные неспециализированным персоналом, могут вызвать повреждение или поломку оборудования и поставить под угрозу личную безопасность.**



# Рекомендации

## ⚠ ОПАСНОСТЬ

### РИСК ТРАВМИРОВАНИЯ ПЕРСОНАЛА

- Выполняйте сверление отверстий и вырезание в корпусе в соответствии шаблоном для сверления (рисунок F4). Используйте СИЗ (средства индивидуальной защиты) для предотвращения вреда здоровью персонала.
  - Соблюдайте момент затяжки, указанный на рисунке F5. Используйте только винты и аксессуары, включенные в комплект поставки изделия.
  - Для безопасного подъема устройства должно использоваться подъемное кольцо M6, расположенное наверху теплообменника (рис. F6). Для узла охлаждения весом более 15 кг/33 фунтов рекомендуется работать минимум вдвоем. Рекомендуемая нагрузка на человека составляет максимум 15 кг/33 фунта (рис. F2).
  - Используйте только подъемные приспособления, поставляемые с изделием.
  - При подъеме узла охлаждения не допускайте перекоса теплообменника. Избегайте столкновений. Это может вызвать неисправность изделия.
- Любые модификации, выполненные неспециализированным персоналом, могут вызвать повреждение или поломку оборудования и поставить под угрозу личную безопасность.**

## 6. Электрические соединения

## ⚠ ОПАСНОСТЬ

### ОПАСНОСТЬ ПОРАЖЕНИЯ ЭЛЕКТРИЧЕСКИМ ТОКОМ, ВЗРЫВА ИЛИ ВСПЫШКИ ДУГИ

- Электрические соединения должны выполняться силами специализированного и уполномоченного персонала.
  - Монтаж изделия должен соответствовать нормативным требованиям страны, в которой будет эксплуатироваться узел охлаждения.
  - Перед выполнением соединений отключить электропитание корпуса.
  - Доступное напряжение электропитания должно соответствовать характеристикам, указанным на информационной табличке на теплообменнике.
  - Цепь электропитания теплообменника должна быть защищена (последовательное включение) плавким предохранителем или автоматом защиты с контактным зазором в разомкнутом положении не менее 3 мм, в соответствии с рекомендуемыми установками (рисунок F2).
- Любые модификации, выполненные неспециализированным персоналом, могут вызвать повреждение или поломку оборудования и поставить под угрозу личную безопасность.**

В последовательном подключении к теплообменнику не должно быть системы управления температурой.

## 7. Первоначальный запуск и настройка

Включите теплообменник. Сразу же включится вентилятор, с помощью которого циркулирует воздух внутри корпуса, что обеспечивает достижение однородной температуры внутри корпуса. Если эта температура выше порога, установленного на механическом термостате, активируются компрессор и внешний вентилятор, запуская таким образом цикл охлаждения. Цикл охлаждения заканчивается, когда внутренняя температура достигает нижнего порога рабочей разности температур, который установлен на величине 4 К. На заводе-изготовителе термостат запрограммирован на 35 °C / 95 °F. Чтобы изменить уставку температуры, следует обеспечить доступ к

термостату с задней стороны теплообменника. С целью экономии электроэнергии и минимизации количества вырабатываемого конденсата не рекомендуются температуры ниже 30 °C/86 °F.

## 8. Техническое обслуживание

## ⚠ ОПАСНОСТЬ

### ОПАСНОСТЬ ПОРАЖЕНИЯ ЭЛЕКТРИЧЕСКИМ ТОКОМ, ВЗРЫВА ИЛИ ВСПЫШКИ ДУГИ

- Перед любым вмешательством в работу устройства узел охлаждения должен быть отключен от сети электропитания.
- Несоблюдение данного требования может привести к смерти или серьезным травмам.**

Единственная требуемая операция — очистка обменного змеевика (рис. F10) и периодический контроль согласно приведенным ниже указаниям:

Необходимые действия	Периодичность
Контроль и очистка наружной стороны обменного змеевика	Каждые 2 месяца
Проверка вентилятора перегрев или чрезмерная вибрация	Каждые 6 месяцев

Проведите очистку обменного змеевика следующим образом: ослабьте корпус с задней стороны, снимите змеевик и сдуйте пыль (с помощью сжатого воздуха под давлением не более 4 бар), а затем удалите любые следы смазки или масла соответствующим чистящим средством (совместимым с ПВХ, ПЭ, ПП и силиконом).

## ВНИМАНИЕ

### РИСК ПОВРЕЖДЕНИЯ ИЗДЕЛИЯ

- Не используйте для очистки легковоспламеняющиеся и/или химические вещества, вызывающие коррозию.
  - Очистку следует выполнять сжатым воздухом давлением максимум 4 бара (рисунок F10).
- Любые модификации, выполненные неспециализированным персоналом, могут вызвать повреждение или поломку оборудования.**

Установите части на место, хорошо просушите и выполните сборку.

## ⚠ ОПАСНОСТЬ

### ОПАСНОСТЬ ПОРАЖЕНИЯ ЭЛЕКТРИЧЕСКИМ ТОКОМ, ВЗРЫВА ИЛИ ВСПЫШКИ ДУГИ

- После выполнения технического обслуживания очень важно проверить, что заземляющий проводник крышки теплообменника остается подключенным.
  - Необходимые ремонтные работы могут выполняться только специализированным и уполномоченным персоналом с использованием фирменных запчастей.
- Любые модификации, выполненные неспециализированным персоналом, могут вызвать повреждение или поломку оборудования и поставить под угрозу личную безопасность.**

## ⚠ ОПАСНОСТЬ

### РИСК ТРАВМИРОВАНИЯ ПЕРСОНАЛА

- При техническом обслуживании использовать СИЗ (индивидуальные средства защиты) во избежание травмирования. Некоторые трубы могут быть горячими и вызвать ожоги.
- Любые модификации, выполненные неспециализированным персоналом, могут вызвать повреждение или поломку оборудования и поставить под угрозу личную безопасность.**

## 9. Транспортировка и/или перемещение рамы с установленным узлом охлаждения

## ВНИМАНИЕ

### РИСК ПОВРЕЖДЕНИЯ ИЗДЕЛИЯ

- Электрошкафы с установленным теплообменником следует подместить на паллете, размеры которой больше габаритов сборки.
  - При перевозке защитите изделие с помощью отдельного контейнера для теплообменника.
  - При перевозке избегайте ударов.
  - Во время транспортировки и хранения теплообменник не должен подвергаться воздействию температур выше 70 °C/158 °F или ниже -20 °C/-4 °F, и/или относительной влажности воздуха более 95%.
- Любые модификации, выполненные неспециализированным персоналом, могут вызвать повреждение или поломку оборудования.**

## 10. Техническая информация

### 10.1 Принципы работы

Принцип работы воздуховоздушного теплообменника основан на передаче тепла между двумя потоками воздуха с разными температурами через поверхность с высоким коэффициентом теплопередачи (рис. F11), поддерживает разделение этих двух сред во избежание загрязнения и попадания примесей при прохождении снаружи внутрь.

### 10.2 Оборудование для обеспечения безопасности

Вентиляторы снабжены внутренним вырезом, прерывающим подачу напряжения питания в случае чрезмерного перегрева.

### 10.3 Снятие с эксплуатации и утилизация

## ВНИМАНИЕ

### РИСК ПРИЧИНЕНИЯ ВРЕДА ОКРУЖАЮЩЕЙ СРЕДЕ

- Замена, ремонт и окончательная утилизация должны выполняться специалистами.
- Любые модификации, выполненные неспециализированным персоналом, могут вызвать повреждение оборудования.**
- Когда цикл эксплуатации/производства подходит к концу, необходимо выполнить следующие действия:
  - разобрать и разделить внутренние узлы для выполнения раздельного сбора материалов для переработки (металл, медь, алюминий, пластик и т. д.)

Во всех случаях следует принимать во внимание нормативные требования, действующие в стране эксплуатации оборудования.

### Примечание

Тщательно сохраняйте документацию в сухом месте.

## Действия в нештатных ситуациях

Нештатная ситуация	Условия	Причины	Действия по устранению
Отсутствие охлаждения	Компоненты не работают	Отсутствует электропитание узла	Убедитесь в наличии напряжения и в том, что двери закрыты, а размыкатели цепи замкнуты
	Наружный вентилятор не работает	<ul style="list-style-type: none"> <li>- Температура внутри корпуса ниже температуры, установленной термостатом.</li> <li>- Механический термостат сломан или неправильно подключен.</li> <li>- Вентилятор неправильно подключен.</li> <li>- Вентилятор неисправен.</li> <li>- Конденсатор неисправен (в случае его наличия)</li> </ul>	<ul style="list-style-type: none"> <li>- Понижьте температуру на термостате так, чтобы вентилятор начал работать. Затем выполните повторную настройку параметров.</li> <li>- Убедитесь в том, что термостат правильно подключен, или замените его.</li> <li>- Убедитесь в том, что вентилятор правильно подключен.</li> <li>- Замените вентилятор.</li> <li>- Замените конденсатор</li> </ul>
	Внутренний вентилятор не работает	<ul style="list-style-type: none"> <li>- Вентилятор неправильно подключен.</li> <li>- Вентилятор неисправен.</li> <li>- Конденсатор неисправен (в случае его наличия)</li> </ul>	<ul style="list-style-type: none"> <li>- Убедитесь в том, что вентилятор правильно подключен.</li> <li>- Замените вентилятор.</li> <li>- Замените конденсатор</li> </ul>
	Вентиляторы работают	<ul style="list-style-type: none"> <li>- Обменный змеевик загрязнен или забит</li> <li>- Температура окружающей среды выше максимального рабочего предела</li> </ul>	<ul style="list-style-type: none"> <li>- Выполните очистку теплообменника</li> <li>- Провентилируйте участок, на котором стоит корпус, чтобы понизить температуру окружающего воздуха</li> </ul>

# Wiring diagram / Schéma électrique / Schema elettrico / Anschlusschema / Esquema eléctrico / 接线图 / Монтажная схема электропроводки

EN	
<b>MT1</b>	Internal fan
<b>MT2</b>	External fan
<b>C1</b>	Internal fan capacitor
<b>C2</b>	External fan capacitor
<b>S</b>	Thermostat

FR	
<b>MT1</b>	Ventilateur intérieur
<b>MT2</b>	Ventilateur extérieur
<b>C1</b>	Condenseur ventilateur intérieur
<b>C2</b>	Condenseur ventilateur extérieur
<b>S</b>	Thermostat

IT	
<b>MT1</b>	Ventilatore interno
<b>MT2</b>	Ventilatore esterno
<b>C1</b>	Condensatore ventilatore interno
<b>C2</b>	Condensatore ventilatore esterno
<b>S</b>	Termostato

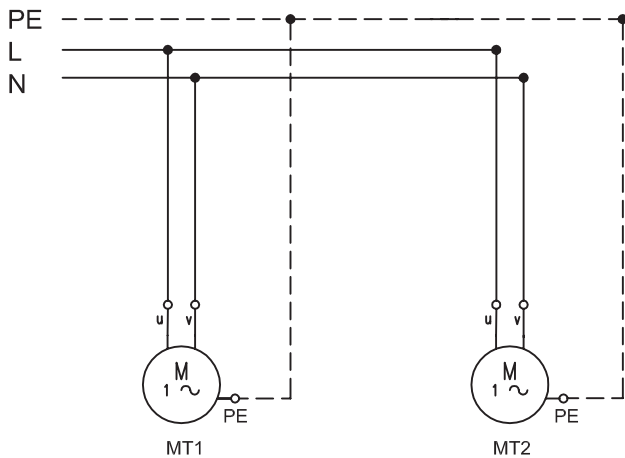
DE	
<b>MT1</b>	Ventilator innen
<b>MT2</b>	Ventilator außen
<b>C1</b>	Kondensator Ventilator innen
<b>C2</b>	Kondensator Ventilator außen
<b>S</b>	Thermostat

ES	
<b>MT1</b>	Ventilador interno
<b>MT2</b>	Ventilador externo
<b>C1</b>	Condensador ventilador interno
<b>C2</b>	Condensador ventilador externo
<b>S</b>	Termostato

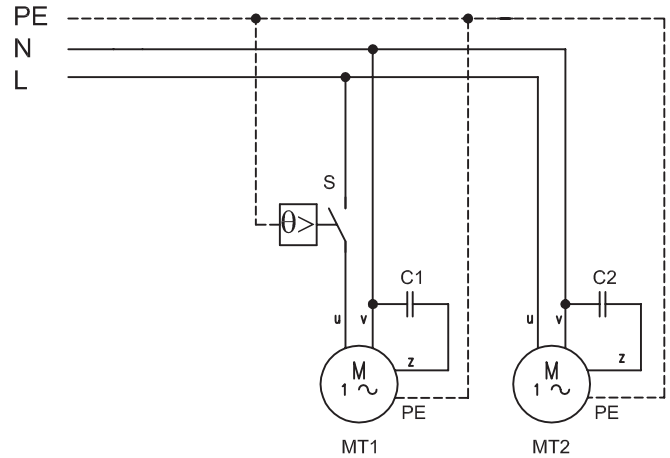
ZH	
<b>MT1</b>	内部风扇
<b>MT2</b>	外部风扇
<b>C1</b>	内部风扇电容
<b>C2</b>	外部风扇电容
<b>S</b>	恒温器

RU	
<b>MT1</b>	Внутренний вентилятор
<b>MT2</b>	Наружный вентилятор
<b>C1</b>	Конденсатор внутреннего вентилятора
<b>C2</b>	Конденсатор наружного вентилятора
<b>S</b>	Термостат

NSYCEA22E



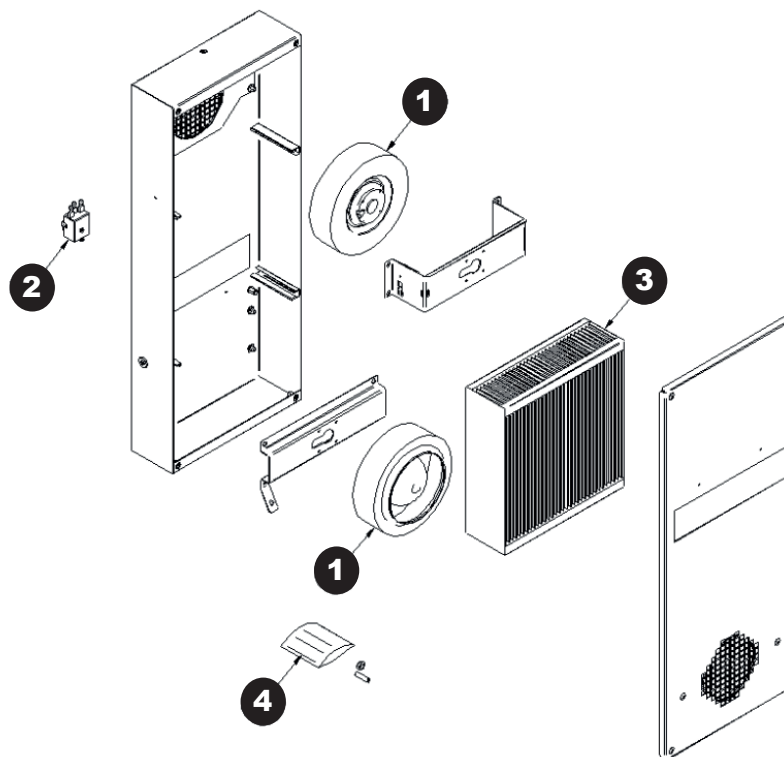
NSYCEA36 - NSYCEA50 - NSYCEA80



# Spare parts / Pièces détachées / Ricambi / Ersatzteile / Piezas de repuesto / 备件 / Запасные части

	EN	FR	IT	DE
1	Fan	Ventilateur	Ventilatore	Lüfter
2	Thermostat (except NSYCEA22E)	Thermostat (sauf NSYCEA22E)	Termostato (salvo NSYCEA22E)	Thermostat (bis auf NSYCEA22E)
3	Exchanger coil	Batterie de commutation	Batteria di scambio	Wärmetauscher
4	Mounting kit	Kit de montage	Kit di montaggio	Montagekit

	ES	ZH	RU
1	Ventilador	风扇	Вентилятор
2	Termostato (excepto NSYCEA22E)	恒温器 (除 NSYCEA22E 之外)	Термостат (кроме NSYCEA22E)
3	Bateria de intercambio	交换盘管	Обменный змеевик
4	Kit de montaje	安装套件	Монтажный комплект



EN	FR	IT	DE
<b>When ordering the following informations are needed:</b>	<b>Lors de la commande, il faut toujours mentionner les informations suivantes :</b>	<b>In caso d'ordine le seguenti informazioni sono assolutamente necessarie:</b>	<b>Bei einer Bestellung bitte die folgenden Informationen unbedingt angeben:</b>
Model	Modèle	Modello	Modell
Serial number	N° de série	N. di serie	Seriennummer
Date of production	Année de fabrication	Data di produzione	Herstellungsdatum
Requested parts code	N° de référence	Codice parti richieste	Kennziffern der gewünschten Teile

ES	ZH	RU
<b>En caso de pedido de piezas de repuesto, siempre indicar los siguientes datos:</b>	<b>订购时, 需要下面的信息:</b>	<b>При заказе необходима следующая информация:</b>
Modelo	型号	Модель
N° de serie	序列号	Серийный номер
Fecha de fabricación	生产日期	Дата выпуска
Código de las piezas solicitadas	请求零件代码	Код необходимых деталей

## WARRANTY

The manufacturer guarantees that the product is free from quality defects.

Further guarantees:

All product components, as of the date of purchase availability, when used in the following circumstances:

- 1) The heat exchanger has not been used incorrectly, and no modifications or shocks occurred during use
- 2) With box or enclosure temperatures no greater or less than the temperatures indicated on the nameplate
- 2) In circuits or systems that do not call for greater refrigeration than that indicated on the nameplate
- 3) In environments with temperatures no greater or less than those indicated on the nameplate
- 4) In boxes or enclosures with at least an IP54 level of protection for roof units, or IP55 for side models
- 5) When the standards presented in the "Operation and Maintenance" manual that accompanies each product are fully respected

This guarantee does not cover any damage caused to the product by:

Operation of the product in unsuitable environments, such as acidic or corrosive atmosphere.

For each component found to be defective during the warranty period, the manufacturer shall, at its complete discretion, repair and / or replace, on its own premises or that of an authorized company, without any obligation resulting from faulty components. Possible additional costs resulting from the replacement, shifting, and eventual installation will not be attributable to the manufacturer. Any maintenance activities, also in the warranty period, that are requested by clients on their own premise, will be billed at the current rates. Repaired or replaced products shall not alter the period of commencement or termination of the guarantee itself in any way. The manufacturer assumes no responsibility, other than for the repair or replacement of defective products, and the eventual delivery of the product will be carried out with freight collect. It is the duty of the customer, who assumes all responsibilities, to ensure proper grounding, installation, and power supply to the product according to existing standards. For any liability for damages caused by defective products, the existing legislative discipline applies, for which the manufacturer has the appropriate insurance policy to cover these circumstances. For the purposes of this law, it is hereby stated that the date of purchase availability of the product is the date shown on the nameplate of the product itself.

**To benefit from the warranty rights and the corresponding product information, the buyer must be in possession of the sales receipt and the product serial number indicated on the nameplate. The nameplate is printed on a plastic support and ensures the lasting duration of the characters in particularly difficult locations and environments as well.**

**ATTENTION: The warranty is automatically voided in the event of any unauthorized modification of the product.**

## GARANTIE

Le fabricant garantit que ce produit est exempt de vices de qualité.

Autres garanties :

Tous les composants du produit sont garantis à partir de la date d'achat dans les conditions d'utilisation suivantes :

- 1) L'échangeur thermique n'a pas été utilisé incorrectement et n'a subi ni modification ni choc au cours de son utilisation
- 2) La température de l'armoire n'a pas dépassé les limites supérieure et inférieure indiquées sur la plaque signalétique
- 2) Le produit a été utilisé dans des circuits ou des systèmes qui n'exigent pas de réfrigération supérieure à celle indiquée sur la plaque signalétique
- 3) Le produit a été utilisé dans des environnements dont la température n'a pas dépassé les limites indiquées sur la plaque signalétique
- 4) Le produit a été utilisé dans des armoires ou boîtiers de niveau de protection IP54 au minimum pour les unités montées sur toit ou IP55 au minimum pour les modèles latéraux
- 5) Les normes exposées dans le manuel d'exploitation et de maintenance qui accompagne chaque produit ont été rigoureusement et complètement respectées

Cette garantie ne couvre pas les dommages causés par :

L'exploitation du produit dans des environnements inappropriés, notamment en atmosphère acide ou corrosive.

Pour chaque composant dont la défectuosité est avérée pendant la période de garantie, le fabricant s'engage à effectuer la réparation ou le remplacement nécessaire, à son propre choix, dans ses locaux ou ceux d'une société autorisée, mais sans aucune obligation résultant des composants défectueux. Les coûts supplémentaires que peuvent entraîner le remplacement, le déplacement et l'installation éventuelle ne sont pas imputables au fabricant. Pendant la période de garantie, les activités de maintenance demandées par les clients sur leur propre site seront facturées aux tarifs en cours. Les réparations et remplacements de produits ne modifient en aucun cas le début ou la fin de la période de garantie. Le fabricant décline toute responsabilité autre que celle de réparer ou remplacer les produits défectueux et de les livrer en fret payable à destination. Il incombe au client, qui assume toutes les responsabilités, d'assurer au produit une mise à la terre, une installation et une alimentation correctes conformément aux normes existantes. Pour toute responsabilité vis-à-vis des dommages causés par des produits défectueux, la discipline légale existante s'applique, et le fabricant détient une police d'assurance couvrant ces circonstances. Dans le cadre de cette loi, il est par le présent texte établi que la date de mise à disposition du produit est celle indiquée sur la plaque signalétique du produit lui-même.

**Pour bénéficier des recours de garantie et des informations produit correspondantes, l'acheteur doit être en possession du reçu du fournisseur et du numéro de série indiqué sur la plaque signalétique du produit. Cette plaque est imprimée sur un support en matière plastique de manière à assurer une visibilité durable des caractères, y compris dans les endroits et les environnement particulièrement difficiles.**

**ATTENTION : La garantie devient automatiquement nulle et non avenue en cas de modification non autorisée du produit.**



# GARANZIA

Il costruttore garantisce che il prodotto è privo di difetti di qualità.

Ulteriori garanzie:

Tutti i componenti del prodotto, a partire dalla data di acquisto, se utilizzati nelle seguenti circostanze:

- 1) Lo scambiatore di calore non è stato usato in modo non corretto e non ha subito modifiche o urti durante il funzionamento
- 2) A temperature del box o dell'armadio non superiori o inferiori alle temperature indicate sulla targhetta identificativa
- 2) In circuiti o sistemi che non richiedono un grado di refrigerazione superiore a quello indicato sulla targhetta identificativa
- 3) In ambienti a temperature non superiori o inferiori a quelle indicate sulla targhetta identificativa
- 4) In scatole o armadi con un grado di protezione almeno pari a IP54 per le unità montate a tetto o IP55 per i modelli installati sul lato.
- 5) Quando gli standard indicati nel manuale "Funzionamento e manutenzione" che accompagna ogni prodotto sono pienamente rispettati.

Questa garanzia non copre gli eventuali danni causati al prodotto da:

Impiego del prodotto in ambienti non adatti, come atmosfera ad alta acidità o corrosiva.

Ogni componente risultato difettoso durante il periodo di garanzia deve essere riparato e/o sostituito dal costruttore, a sua esclusiva discrezione, presso la propria sede o quella di una società autorizzata, senza alcuna obbligazione derivante da componenti guasti. Eventuali costi aggiuntivi derivanti dalla sostituzione, dallo spostamento e dall'eventuale installazione non saranno attribuibili al costruttore. Qualsiasi attività di manutenzione, anch'essa nel periodo di garanzia, richiesta dai clienti presso la propria sede, sarà fatturata alle tariffe correnti. I prodotti riparati o sostituiti non possono in alcun modo modificare il periodo di inizio o di fine della garanzia stessa. Il costruttore non si assume alcuna responsabilità, ad eccezione della riparazione o della sostituzione dei prodotti difettosi, e l'eventuale consegna del prodotto verrà eseguita in porto assegnato. È compito del cliente, che si assume la piena responsabilità in questo senso, garantire una messa a terra, un'installazione e un'alimentazione adeguate del prodotto in conformità agli standard esistenti. Per qualsiasi responsabilità legata a danni causati da prodotti difettosi, vale la normativa di legge vigente, per la quale il costruttore dispone della polizza assicurativa adeguata per coprire circostanze di questo tipo. Ai fini di questa legge, si dichiara che la data di disponibilità di acquisto del prodotto è la data indicata sulla targhetta identificativa del prodotto stesso.

**Per poter beneficiare dei diritti di garanzia e delle relative informazioni sul prodotto, l'acquirente deve essere in possesso della fattura di acquisto e del numero di serie del prodotto riportato sulla targhetta identificativa. La targhetta identificativa è stampata su un supporto di plastica e garantisce la leggibilità dei caratteri anche in ubicazioni e ambienti difficili.**

**ATTENZIONE: la garanzia viene dichiarata automaticamente nulla in caso di modifiche non autorizzate del prodotto.**

# GARANTIE

Der Hersteller garantiert, dass das Gerät frei von Qualitätsmängeln ist.

Weitere Garantien:

Für alle Gerätekomponenten ab dem Zeitpunkt ihrer Kaufverfügbarkeit bei einer Verwendung unter folgenden Bedingungen:

- 1) Der Wärmetauscher wurde ordnungsgemäß eingesetzt, bei seiner Verwendung wurden weder Änderungen vorgenommen noch wurde das Gerät Stößen oder Erschütterungen ausgesetzt.
- 2) Die Temperaturen im Schaltschrank bzw. Gerätegehäuse über- bzw. unterschreiten nicht die auf dem Typenschild angegebenen Temperaturen.
- 2) Einsatz in Kreisläufen bzw. Systemen, für die keine Kühlung erforderlich ist, die die Kenndaten auf dem Typenschild überschreitet.
- 3) Einsatz in Umgebungen mit Temperaturen, die die Kenndaten auf dem Typenschild nicht überschreiten.
- 4) Einsatz in Schaltschränken bzw. Gerätegehäusen, die mindestens der Schutzart IP54 für Geräte zur Deckenmontage bzw. der Schutzart IP55 für Geräte zur Seitenmontage entsprechen.
- 5) Lückenlose Einhaltung der in der Betriebs- und Wartungsanleitung angeführten Standards. Diese Anleitung ist im Lieferumfang jedes Geräts enthalten.

Diese Garantie deckt keine Schäden am Gerät, die auf folgende Ursachen zurückzuführen sind:

Betrieb des Geräts in unsachgemäßen Umgebungen, z. B. in säurehaltigen oder korrosiven Atmosphären.

Für jede Komponente, die während der laufenden Garantiezeit als fehlerhaft erkannt wird, übernimmt der Hersteller nach eigenem Ermessen die Reparatur und/oder den Austausch der Komponente in den eigenen Räumlichkeiten oder in denjenigen eines autorisierten Unternehmens, ohne dass sich aus fehlerhaften Komponenten etwaige Verpflichtungen für den Hersteller ergeben. Alle gegebenenfalls beim Austausch, bei der Verlagerung und bei einer eventuellen Installation anfallenden Zusatzkosten sind nicht vom Hersteller zu tragen. Alle vom Kunden in den eigenen Räumlichkeiten beauftragten Wartungsarbeiten, auch während der Garantielaufzeit, werden zum geltenden Tarif in Rechnung gestellt. Die Reparatur oder der Austausch eines Geräts wirkt sich in keiner Weise auf Beginn oder Ende der Garantiezeit aus. Abgesehen von der Reparatur bzw. dem Austausch mangelhafter Geräte übernimmt der Hersteller keinerlei Verantwortung, die Frachtgebühr für die anschließende Zustellung des Geräts ist vom Empfänger zu tragen. Es unterliegt der Zuständigkeit des Kunden, der hierfür die alleinige Verantwortung trägt, eine ordnungsgemäße Erdung, Installation und Spannungsversorgung für das Gerät in Übereinstimmung mit den geltenden Normen sicherzustellen. Bei einer Haftung für durch mangelhafte Geräte verursachte Schäden gilt die jeweilige Gesetzgebung, für die der Hersteller über eine angemessene Versicherungspolice zur Deckung der gegebenen Umstände verfügt. Im Sinne dieser Bestimmung wird hiermit festgelegt, dass das auf dem Typenschild des Geräts angegebene Datum als Datum seiner Kaufverfügbarkeit gilt.

**Um Anspruch auf die Garantierechte erheben und die entsprechenden Geräteinformationen nutzen zu können, muss der Käufer über den Verkaufsbeleg und die auf dem Typenschild vermerkte Seriennummer des Geräts verfügen. Das Typenschild ist auf eine Kunststoffunterlage gedruckt, um die Langlebigkeit der Zeichen selbst in besonders rauen Standorten und Umgebungen gewährleisten zu können.**

**ACHTUNG: Bei nicht autorisierten Änderungen am Produkt wird die Garantie automatisch ungültig.**

# GARANTÍA

El fabricante garantiza que el producto está exento de defectos de Calidad.

Garantiza además :

Todos los componentes del producto, a partir de la fecha de puesta en venta, cuando es utilizado en las siguientes condiciones:

- 1) No se ha hecho uso indebido del intercambiador, ni modificaciones ni choques durante la manipulación
- 2) Con temperaturas del cuadro o del armario no superiores y no inferiores a las temperaturas indicadas en la placa de características
- 2) En circuitos o sistemas que no requieran potencias de refrigeración superiores a la potencia indicada en la placa de características
- 3) En entornos con temperaturas no superiores o no inferiores a las indicadas en la placa de características
- 4) En cuadros o armarios con un índice de protección como mínimo IP54 (para intercambiadores de techo) o IP55 (modelos laterales)
- 5) Cuando se respeten íntegramente las normas presentadas en el manual de “Uso y Mantenimiento“ que acompaña cada producto.

Esta garantía no cubre eventuales daños causados al producto por:

Funcionamiento del producto en entornos no idóneos, como atmósfera ácida o corrosiva.

Para cada componente que resultara defectuoso, en el periodo de garantía, el fabricante procederá, a su indiscutible juicio, a la reparación y/o sustitución, en sus propios establecimientos o en empresa autorizada por ella, sin ningún adeudo de los componentes que resultaran defectuosos. Eventuales gastos adicionales derivantes de reemplazamiento, desplazamiento y eventual instalación no serán imputables al fabricante. Las actuaciones de mantenimiento, también en el periodo de garantía, solicitadas por el cliente en su domicilio, serán facturadas según las tarifas vigentes. Los productos reparados o sustituidos, no modifican de ninguna manera los tiempos de inicio o cese de la propia garantía. El fabricante no asume ninguna responsabilidad, a parte aquella de reparar o sustituir los productos que resultaran defectuosos y la eventual entrega del producto será efectuada con portes debidos. Es a cargo del cliente, que asume todas las responsabilidades, la correcta conexión a tierra, la instalación y la alimentación eléctrica del producto conforme a las normas vigentes. Para eventuales responsabilidades por daños causados por producto defectuoso se hace referencia a la disciplina legislativa vigente, para la cual, el fabricante goza de la correspondiente póliza de seguros. A los fines de la misma ley, se informa que la fecha de puesta en venta del producto es la fecha indicada en la placa de características del propio producto.

**Para disfrutar del derecho de garantía y de la correspondiente información sobre el producto, es indispensable tener el documento de compra y el N° de Serie del producto indicado en la placa de características. La placa de características viene impresa sobre un soporte plástico y garantiza una larga permanencia de los caracteres también en sitios y entornos particularmente difíciles.**

**ATENCIÓN: La garantía cesa automáticamente en caso de cualquier modificación ilícita del producto.**

## 保证

制造商保证本产品无任何质量缺陷。

更多保证:

自购买之日起, 所有产品组件在以下环境中使用时:

- 1) 热交换器未不当使用、未改装且使用中未受到冲击
- 2) 机柜或机箱温度未超过或低于铭牌上标示的温度
- 2) 回路或系统中需要的制冷水平未超过铭牌标示的水平
- 3) 所处环境的温度未超过或低于铭牌上标示的温度
- 4) 对于顶部安装型号, 机柜或机箱的保护等级至少达到 IP54 级, 侧面安装型号至少达到 IP55 级
- 5) 完全遵守每种产品随附的“操作和维护”手册中所述的标准

本保证不适用于以下原因导致的任何产品损坏:

产品在不适合的环境中运行, 例如酸性或腐蚀性空气中。

对于在保修期内发现存在缺陷的任何组件, 制造商将完全按照自己的判断, 在自己或授权公司的场所进行修理和/或更换, 而对于故障组件所造成的后果不承担任何责任。

更换、移动和最终安装可能产生的附加成本不应由制造商承担。在保修期内, 客户请求在其自己的场所进行的任何维护活动都将按照当前费率收取费用。修复或更换的产品不会以任何方式改变本保证的起始或终止日期。除了修理或更换存在缺陷的产品之外, 制造商将不承担任何责任, 该产品的最终交付将采用到付方式发货。客户有义务承担确保产品按照现有的标准正确接地、安装和通电的所有责任。对于存在缺陷的产品造成的任何损失, 应适用现行的法定处罚, 制造商已针对这些情况适当投保。按照此类法律, 此处所述的产品购买日期是指产品自身的铭牌上显示的日期。

为了从保证权利和相应的产品信息中受益, 买方必须拥有销售收据和铭牌上标示的产品序列号。铭牌印制在塑料支撑板上, 确保文字在特别恶劣的位置和环境中也能保留很长时间。

注意: 如果对产品进行任何未经授权的改装, 则保证自动失效。

# ГАРАНТИЯ

Изготовитель гарантирует отсутствие дефектов качества изделия.

Гарантия распространяется на следующее:

Все компоненты изделия, которые доступны на дату закупки, при применении в следующих условиях работы:

- 1) Теплообменник эксплуатировался правильно, в ходе эксплуатации не вносились изменения в конструкцию, и изделие не подвергалось ударам.
- 2) При температуре шкафа или корпуса в пределах диапазона температур, указанного на паспортной табличке.
- 2) В контурах или системах, для которых не требуется большее охлаждение, чем указано на паспортной табличке
- 3) В окружающей среде при температурах не выше указанных в паспортной табличке
- 4) В шкафах или корпусах с уровнем защиты не ниже IP54 для узлов, устанавливаемых на крыше, или IP55 для моделей для бокового монтажа
- 5) При полном следовании стандартам, указанным в «Руководстве по эксплуатации и техническому обслуживанию», которое прилагается к каждому изделию.

Гарантия не покрывает любое повреждение, причиненное изделию при:

Работе изделия в неподобающих условиях окружающей среды, таких как кислотная или коррозионная атмосфера.

Для каждого компонента, признанного дефектным в гарантийный период, изготовитель по своему усмотрению обязуется осуществлять ремонт и/или замену на своей собственной территории или с привлечением уполномоченной компании без каких-либо обязательств, возникших вследствие неисправности компонентов. Возможные дополнительные расходы, возникшие вследствие замены, перевозки и окончательного монтажа изделия, не должны относиться на счет изготовителя. Любые действия по техническому обслуживанию, выполняемые в гарантийный период по требованию клиентов на их территории, будут оплачиваться согласно действующим расценкам. Факт ремонта или замены изделия не является основанием для изменения периода срока действия гарантии (ее начала или окончания). Помимо ремонта или замены неисправных изделий, производитель иной ответственности не несет, а окончательная доставка изделия будет выполняться на условии оплаты фрахта грузополучателем в порту назначения. С учетом всех обязательств заказчик должен обеспечить правильное заземление, монтаж и подачу электропитания на изделие в соответствии с действующими стандартами. В случае наступления какой-либо ответственности за повреждения, вызванные дефектными изделиями, применяется действующее законодательство, в соответствии с которым изготовитель имеет необходимую страховую политику для покрытия расходов в такой ситуации. В целях исполнения данного закона настоящим заявляем, что датой доступности изделия для приобретения по заказу является дата, указанная на паспортной табличке самого изделия.

**Чтобы воспользоваться своими правами по гарантии и получить соответствующую информацию об изделии, покупатель должен располагать накладной на отпуск изделия и серийным номером изделия, указанным на паспортной табличке. Паспортная табличка печатается на пластиковой основе и обеспечивает продолжительную сохранность данных, в том числе в условиях жесткой эксплуатации и неблагоприятной окружающей среды.**

**ВНИМАНИЕ! В случае внесения любых неразрешенных изменений в изделие гарантия автоматически аннулируется.**

**Schneider Electric Industries SAS**

35, rue Joseph Monier  
CS30323  
92506 Rueil-Malmaison Cedex  
France

[www.schneider-electric.com](http://www.schneider-electric.com)



*Printed on recycled paper.*

Designed by: Schneider Electric  
Printed by:

Уполномоченный  
поставщик в РФ:  
АО «Шнейдер Электрик»  
Адрес:  
127018, г. Москва, ул.  
Двинцев, д.12, корп.1,  
тел. +7 (495)777 99 88,  
факс: +7 (495)777 99 94, 8-800-200-6446  
[www.schneider-electric.ru](http://www.schneider-electric.ru)

