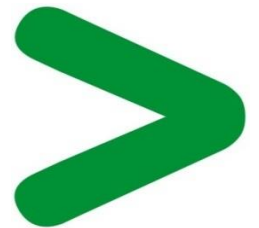


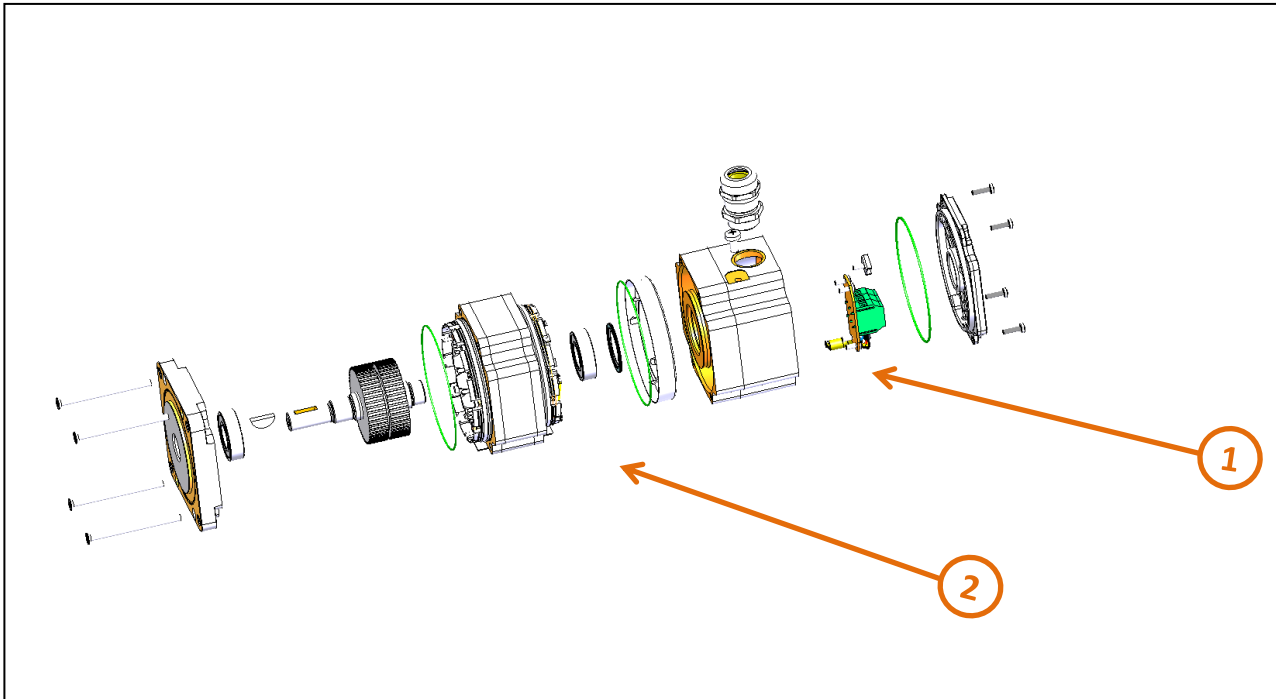
# Product End of Life Instructions

**Lexium BRS Stepper Motor, SIZE 90, 6.78 NM**

**BRS3 Lexium motor**



## End of Life Instructions



Recommendation	Number on drawing	Component / Material	Weight (in g)	Comment
To be depolluted	1	Electronic Board (Power) > 10cm <sup>2</sup>	37,32	
Other	2		4262,68	

## Product description

Manufacturer identification	Schneider Electric Industries SAS
Brand name	Schneider Electric
Product function	This product is part of the Lexium SD3 and motors an offer of 3-phase stepper drives and stepper motors. The 6-pole stepper motor features 14mm smooth shaft, centring collar of 60mm, without holding brake and second shaft end. It provides a high holding torque, that makes it an optimum solution in applications such pick and place, etc. It is a 3-phase stepper motor with a rated current of 2.25A, a mechanical speed of 3000RPM and a supply voltage of 230V AC, 325V DC.
Product reference	BRS39BW460ABA
Additional similar product references	BRS364H030AAA BRS364H030AAB BRS364H030ABA BRS364H030ACA BRS366H030AAA BRS366H030ABA BRS366H030ACA BRS366HS0005 BRS366HS0194 BRS366HS0197 BRS366HS0870 BRS366N030ABA BRS368H130AAA BRS368H130AAB BRS368H130ABA BRS368H130ABB BRS368H130ACA BRS368H130FBA BRS368H130FCA BRS368HS0028...
Total representative product mass	4300 g
Representative product dimensions	85mm x 171mm x 60mm
Accessories	No
Date of information release	20/10/2025

## Additional information

<p><b>Legal information</b></p>	<p>This product family is in the scope of European Union directive 2012/19/EU on Waste Electrical and Electronic Equipment (WEEE). The product family must be disposed according to the legislation of the country. This document is intended for use by end of life recyclers or treatment facilities. It provides the basic information to assure an appropriate end of life treatment for the components and materials of the product.</p>
<p><b>Recyclability potential</b></p>	<p><b>94%</b> The recyclability rate was calculated from the recycling rates of each material making up the product based on REEECYLAB tool developed by Ecosystem, for components/materials not covered by the tool, data from the EIME database and the related PSR was taken. If no data was found a conservative assumption was used (0% recyclability).</p>

Schneider Electric Industries SAS

Country Customer Care Center  
<http://www.se.com/contact>

35, rue Joseph Monier  
 CS 30323  
 F- 92500 Rueil Malmaison Cedex  
 RCS Nanterre 954 503 439  
 Capital social 928 298 512 €

[www.se.com](http://www.se.com)

ENVEOLI111101EN

Published by Schneider Electric

© 2023 - Schneider Electric – All rights reserved

20/10/2025