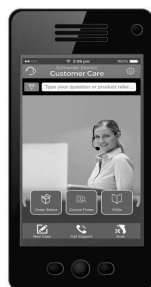




Customer Care Center



<b>Safety</b> .....	<b>3</b>
<b>1 Contents</b> .....	<b>4</b>
<b>2 Description</b> .....	<b>5</b>
2.1 Product References .....	5
2.2 Dimensions and Weight .....	5
2.3 Product Description - EVlink Home (with TIC function) .....	5
2.4 Product Description - EVlink Home (without TIC function) & EVlink Home Smart Charging Station .....	6
<b>3 Characteristics</b> .....	<b>6</b>
3.1 General Data .....	6
3.2 Certification .....	6
3.3 Environment .....	6
3.4 Accessories (For EVlink Charging Station without TIC function) .....	7
<b>4 Protection</b> .....	<b>7</b>
Upstream Protections .....	7
Power Cable Requirements .....	7
<b>5 Wiring</b> .....	<b>7</b>
<b>6 Energy Management (For EVlink Charging Station with TIC function)</b> .....	<b>8</b>
<b>7 Connection</b> .....	<b>8</b>
7.1 Undervoltage Release (MNx) .....	8
7.2 Wire-up Power Supply .....	8
7.3 Ethernet Port Connection (Optional for EVlink Home Smart Charging Station) .....	10
7.4 RS485 Port Connection (Optional for EVlink Home Smart Charging Station) .....	10
7.5 TIC connection (For EVlink Charging Station with TIC function) .....	10
7.6 Secure Inspection Hatch .....	10
7.7 Clamp Power Cable .....	11
<b>8 Installation</b> .....	<b>12</b>
8.1 Mark Installation Area .....	12
8.2 Drill, Fix and Mount .....	13
<b>9 Inspection</b> .....	<b>13</b>
<b>10 Configuration for EVlink Charging Station with Stop Button</b> .....	<b>14</b>
<b>11 TIC Operation (for EVlink Charging Station with TIC function)</b> .....	<b>14</b>
11.1 TIC Mode .....	14
11.2 TIC Mode Operation .....	14
11.3 TIC Mode Setting .....	15
11.4 Show current TIC Mode .....	16
<b>12 eSetup Commisioning App (For EVlink Home Smart Charging Station)</b> .....	<b>17</b>
12.1 Charging Station Configuration with eSetup for Electrician App .....	17
12.2 Commissioning Steps .....	17
12.3 Charging Station PIN code reset .....	17
<b>13 Operation</b> .....	<b>18</b>
13.1 Connecting the Electric Vehicle Charging Station .....	18
13.2 Disconnecting the Electric Vehicle .....	18
13.3 Remote supervision with Wiser (For EVlink Home Smart Charging Station) .....	18
<b>14 Charging Station Status Indicators</b> .....	<b>19</b>
<b>15 Basic Troubleshooting</b> .....	<b>19</b>
<b>16 Wireless Feature Declaration</b> .....	<b>19</b>
<b>17 Recycle</b> .....	<b>19</b>
<b>18 Warranty</b> .....	<b>19</b>

The Schneider Electric brand and any trademarks of Schneider Electric SE and its subsidiaries referred to in this guide are the property of Schneider Electric SE or its subsidiaries. All other brands may be trademarks of their respective owners.

This guide and its content are protected under applicable copyright laws and furnished for informational use only. No part of this guide may be reproduced or transmitted in any form or by any means electronic, mechanical, photocopying, recording, or otherwise), for any purpose, without the prior written permission of Schneider Electric.

Schneider Electric does not grant any right or license for commercial use of the guide or its content, except for a non exclusive and personal license to consult it on an «as is» Schneider Electric products and equipment should be installed, operated, serviced, and maintained only by qualified personnel.

As standards, specifications, and designs change from time to time, information contained in this guide may be subject to change without notice.

To the extent permitted by applicable law, no responsibility or liability is assumed by Schneider Electric and its subsidiaries for any errors or omissions in the informational content of this material or consequences arising out of or resulting from the use of the information contained herein.

---

## Safety

---

### Important Information



Read these instructions carefully, and look at the equipment to become familiar with the device before trying to install, operate, or maintain it. The following special messages may appear throughout this documentation or on the equipment to warn of potential hazards or to call attention to information that clarifies or simplifies a procedure.



The addition of this symbol to a "Danger" or «Warning» safety label indicates that an electrical hazard exists which will result in personal injury if the instructions are not followed.



This is the safety alert symbol. It is used to alert you to potential personal injury hazards. Obey all safety messages that follow this symbol to avoid possible injury or death.

#### **▲ DANGER**

**DANGER** indicates a hazardous situation which, if not avoided, **will result** in death or serious injury.

#### **▲ WARNING**

**WARNING** indicates a hazardous situation which, if not avoided, **could result** in death or serious injury.

#### **▲ CAUTION**



**CAUTION** indicates a hazardous situation which, if not avoided, **could result** in minor or moderate injury.

#### **NOTICE**

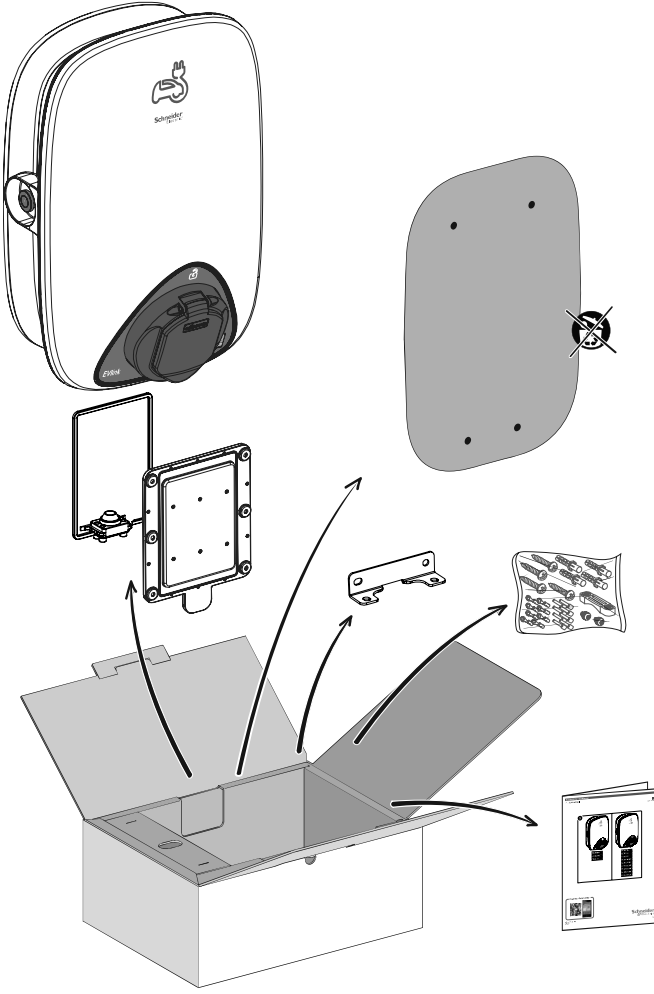
NOTICE is used to address practices not related to physical injury.

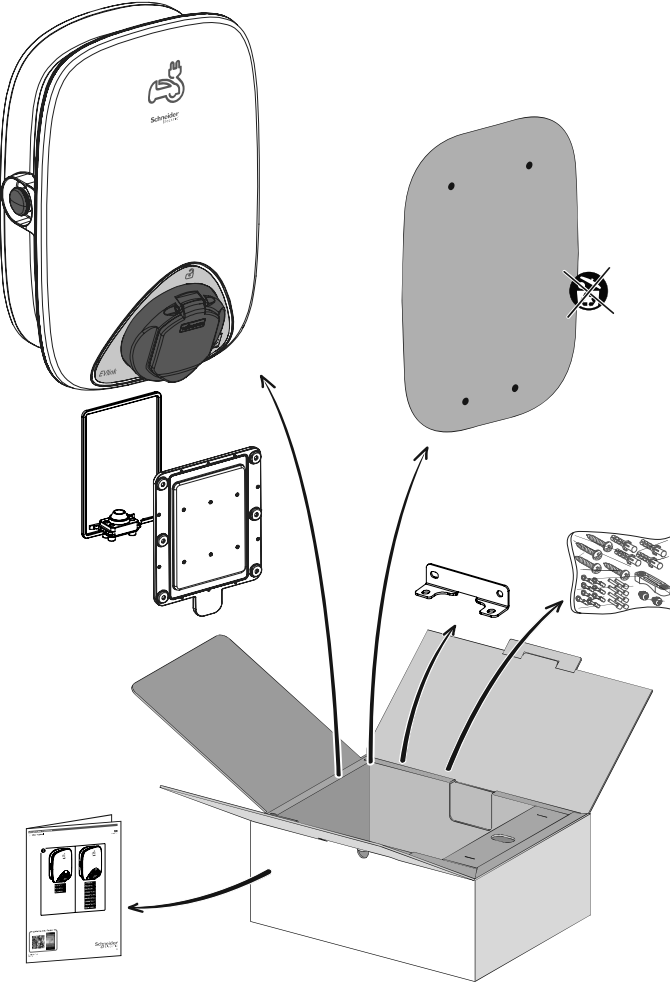
#### **PLEASE NOTE**

- The installation, maintenance and eventual replacement of this device must only be carried out by a qualified electrician.
- This device must not be repaired.
- All applicable local, regional and national regulations must be complied with during the installation, use, maintenance and replacement of this device.
- This device should not be installed if, when unpacking it, you observe that it is damaged.
- Schneider Electric cannot be held responsible in the event of non-compliance with the instructions in this document and in the documents to which it refers.
- The service instruction must be observed throughout the life time of this device.


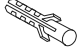



Symbol	Content
	<ul style="list-style-type: none"> <li>■ Electrical hazard <ul style="list-style-type: none"> <li>□ The equipment must be installed, commissioned, serviced, and maintained only by qualified personnel.</li> <li>□ The installation should comply with existing standards and local regulations.</li> <li>□ See section "Installation", page 12 for details.</li> </ul> </li> <li>■ Electrical hazard / fire hazard <ul style="list-style-type: none"> <li>□ The charging station, the cable and the connector must be regularly checked by to detect any potential damage (visual inspection).</li> <li>□ In case the charging station is damaged, it must be immediately turned off and replaced.</li> <li>□ Do not perform any maintenance work on the equipment.</li> <li>□ Do not open or modify the charging station.</li> <li>□ Do not remove signs such as safety symbols, warnings, nameplates, signs or markings.</li> </ul> </li> <li>■ Do not use any extension cable to connect the charging station to the electric vehicle.</li> <li>■ Do not connect any other type of loads to the charging station (power tools, etc.). Only connect electric vehicles or their charging equipment.</li> <li>■ Do not disconnect the connector by pulling the cable. Hold the connector in your hand to disconnect the connector from the electrical vehicle.</li> <li>■ Do not bend, squeeze or tilt the connector so that it is mechanically damaged.</li> <li>■ Prevent the connector to be in contact with heat source, dirt or water.</li> <li>■ When using an integrated charging station to charge your electric car, please read the vehicle's tips and instructions carefully.</li> </ul> <p><b>Failure to follow safety instructions can result in death, injury, and equipment damage.</b></p>
	<ul style="list-style-type: none"> <li>■ Never clean the charging point by spraying it with water (Hose for garden watering, high pressure cleaners, etc)</li> </ul>

# 1 Contents








**Mounting accessories**

-  Mounting Bracket x 1
-  M8 x 60 mm (5/16 x 2.36 in) wall plugs x 5
-  M6 x 50 mm (15/64 x 1.97 in) screws x 5
-  M6 x 12 mm (15/64 x 0.47 in) screws x 3
-  M4 x 12 mm (5/32 x 0.47 in) screws x 9

**Wiring accessories**

-  Ring terminals x 6
-  PIN terminals x 6
-  Crimping collar x 1



# 2 Description

## 2.1 Product References

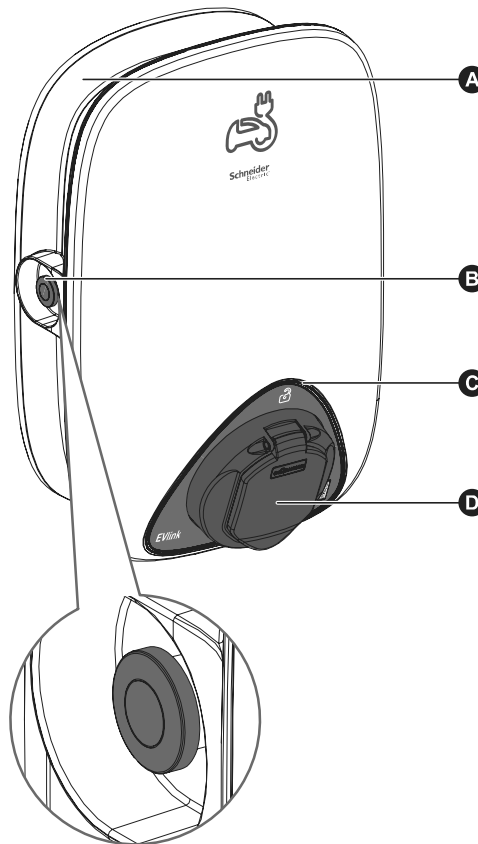
Reference	Short Description	Power supply	Power rating	Electrical protection
EVH4S03N4	EVlink Home 1P T2S 3.7 kW 16A - with RDC-DD Filter	T2S outlet	3.7 kW 16 A	with RDC-DD Filter
EVH4S07N4	EVlink Home 1P T2S 7.4 kW 32A - with RDC-DD Filter	T2S outlet	7.4 kW 32 A	with RDC-DD Filter
EVH4S11N4	EVlink Home 3P T2S 11 kW 16A - with RDC-DD Filter	T2S outlet	11 kW 16 A	with RDC-DD Filter
EVH4S03N400F	EVlink Home 1P T2S 3.7 kW 16A - with RDC-DD Filter - TIC	T2S outlet	3.7 kW 16 A	with RDC-DD Filter
EVH4S07N400F	EVlink Home 1P T2S 7.4 kW 32A - with RDC-DD Filter - TIC	T2S outlet	7.4 kW 32 A	with RDC-DD Filter
EVH4S11N400F	EVlink Home 3P T2S 11 kW 16A - with RDC-DD Filter - TIC	T2S outlet	11 kW 16 A	with RDC-DD Filter
EVH4A03N4	EVlink Home Smart 1P T2S 3.7 kW 16A - TIC for CM - with RDC-DD Filter	T2S outlet	3.7 kW 16 A	with RDC-DD Filter
EVH4A07N4	EVlink Home Smart 1P T2S 7.4 kW 32A - TIC for CM - with RDC-DD Filter	T2S outlet	7.4 kW 32 A	with RDC-DD Filter
EVH4A11N4	EVlink Home Smart 3P T2S 11 kW 16A - TIC for CM - with RDC-DD Filter	T2S outlet	11 kW 16 A	with RDC-DD Filter
EVH4A03N400F	EVlink Home Smart 1P T2S 3.7 kW 16A - with RDC-DD Filter - TIC	T2S outlet	3.7 kW 16 A	with RDC-DD Filter
EVH4A07N400F	EVlink Home Smart 1P T2S 7.4 kW 32A - with RDC-DD Filter - TIC	T2S outlet	7.4 kW 32 A	with RDC-DD Filter
EVH4A11N400F	EVlink Home Smart 3P T2S 11 kW 16A - with RDC-DD Filter - TIC	T2S outlet	11 kW 16 A	with RDC-DD Filter

## 2.2 Dimensions and Weight

<b>Model</b>	EVH4S03N4, EVH4S07N4, EVH4S03N400F, EVH4S07N400F, EVH4A03N4, EVH4A07N4, EVH4A03N400F, EVH4A07N400F	EVH4S11N4, EVH4S11N400F, EVH4A11N4, EVH4A11N400F
<b>Power rating</b>	3.7 kW and 7.4 kW	11 kW
<b>Dimensions</b>	282 mm × 409 mm × 148 mm / 11.1 in x 16.1 in x 5.83 in	
<b>Weight</b>	approx. 3.7 kg / 8.2 lb	approx. 3.8 kg / 8.4 lb
<b>Installation</b>	Wall-mounted	

## 2.3 Product Description - EVlink Home (with TIC function)

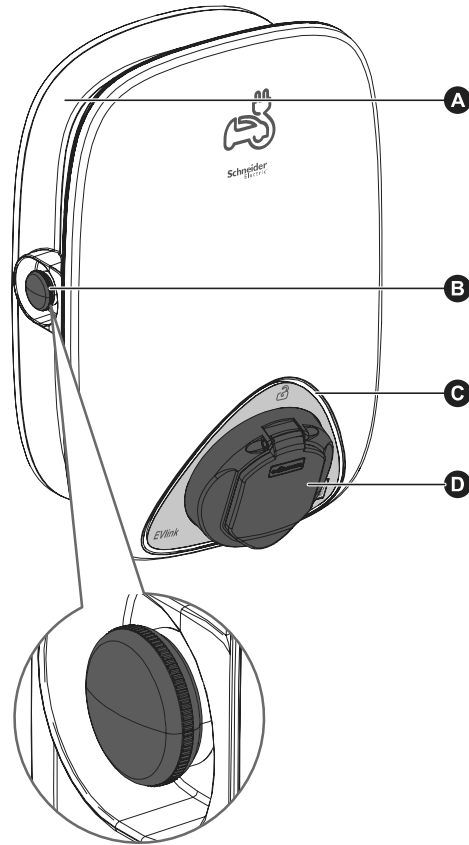
- This charging station is an electrical appliance that supplies electric energy to charge plug-in electric vehicles for indoor and private outdoor areas.
- When installing and using the charging station, ensure that you comply with local regulations.
- The intended use of the equipment includes, in all cases, the environmental conditions established for the equipment.



<b>A</b>	Cable winding trough	When not in use, wind the charging cable around the charging station's trough to avoid tripping hazards and equipment damage.
<b>B</b>	TIC mode set button	Press the Green button to set the required TIC mode, Section "TIC Mode", page 14.
<b>C</b>	LED status indicator	Indicates the status of the charging station and charging session, Section "Charging Station Status Indicators", page 19.
<b>D</b>	Charging socket	Plug in your T2 charging cable.

## 2 Description

### 2.4 Product Description - EVlink Home (without TIC function) & EVlink Home Smart Charging Station



<b>A</b>	Cable winding trough	When not in use, wind the charging cable around the charging station's trough to avoid tripping hazards and equipment damage.
<b>B</b>	Stop button	Only to be used in an emergency. In normal use, stop the charge via the Electric Vehicle. The button can be reset by rotating it 90° clockwise.
<b>C</b>	LED status indicator	Indicate the status of the charging station and charging session, section "Charging Station Status Indicators", page 19.
<b>D</b>	Charging socket	Plug in your T2 charging cable.

## 3 Characteristics

### 3.1 General Data

- Ingress protection rating: according to IEC 60529
  - IP54 for EVlink Home with T2S socket
- Impact protection rating: IK10 (IEC 62262)
- Socket for T2 cable according to IEC 62196-1 and IEC 62196-2
- Operating temperature: -30° C to +50° C (-22°F to +122°F)
- Storage temperature: -40° C to +80° C (-40°F to +176°F)
- Relative humidity: 5-95 %
- Rated voltage (depending on model):
  - For 3.7 and 7.4 kW: 220~240V AC, 50 Hz
  - For 11 kW: 380~415V AC, 50 Hz
- Rated charging current: 16 A for 3.7 kW, 32 A for 7.4 kW and 16 A for 11 kW
- Accuracy of current, voltage and power measurement: 1%
- Energy Management
- Diagram of the earthing system: TN-S, TN-C-S, TT
- Designed for indoor and outdoor use
- OCPP 1.6J (Smart version only)
- Wi-Fi feature 2,4 Ghz (Smart version only)
  - Operating frequency bands: 2412 MHz – 2472 MHz
  - Maximal RF output power: less than 20 dBm (18.25 dBm)
- 1 Ethernet port (Smart version only)
- 1 RS485 port (Smart version only)

### 3.2 Certification

- IEC/EN 61851-1 ed 3.0
- IEC 61851-21 - 2
- IEC 62955-2018
- EN 61000-6-1
- EN 61000-6-3
- EV Ready

### 3.3 Environment

- Compliant with the RoHS European directive
- Compliant with the REACH European regulation

# 3 Characteristics

## 3.4 Accessories (For EVlink Charging Station without TIC function)

- EVlink Home Anti-tripping module, single-phase (EVA1HPC1)
- EVlink Home Anti-tripping module, three-phase (EVA1HPC3)

**Notes:**

- The Anti-Tripping Module limits the power draw of the EVlink Home charging station, in some cases completely stopping the charging, to ensure the continuity of the home electrical supply. Refer to the Anti-tripping module's instruction sheet.

# 4 Protection

### ⚠️ ⚠️ DANGER

**HAZARD OF ELECTRIC SHOCK, EXPLOSION OR ARC FLASH**  
 Do not install automatic reset systems on the residual current protection device.  
**Failure to follow these instructions will result in death or serious injury.**

### Upstream Protections

- The Electric Vehicle measures the earth resistance and will only start charging if it is lower than the threshold defined by the Electric Vehicle manufacturer. Refer to the vehicle's technical documentation.
- The choice of electrical protections and wire gauges must comply with local regulations and the information below as well as the constraints of the electrical installation. In particular, the selected protection must not only satisfy the requirements of IEC 61851-1 ed 3.0 but must also limit the value of  $I_{Pt}$  to less than 75 000 A<sup>2</sup>s in case of a short-circuit.

Charging station rated current	16 A 1-Ph	32 A 1-Ph	16 A 3-Ph
Protection against overload and short circuits	20 A curve B or C (1)	40 A curve B or C (1)	20 A curve C
Differential protection	30 mA type A	30 mA type A	30 mA type A

(1) According to selectivity with upstream protections  
 Recommended protection: Acti9 iC60

- A Undervoltage release (MNx) controlled by the charging station must be installed to enable to activate the upstream circuit-breaker tripping.
- The protections described below should only be taken as suggestions and Schneider Electric cannot be held liable.

**Recommendations for lightning protection**

One surge arrester per charging station is recommended for high keraunic levels, mandatory if required by local regulations.

### Power Cable Requirements

- For wiring section "Wiring", page 7, please comply with local regulations.
- The maximum wire gauge should **not exceed 10 mm<sup>2</sup>** for 1-phase, and **not exceed 6 mm<sup>2</sup>** for 3-phase.
- Two types of wire as recommended when connecting the charging station to the power supply:
  - To use flexible cables with ring/PIN terminal and crimp terminal.
  - To use rigid cable.

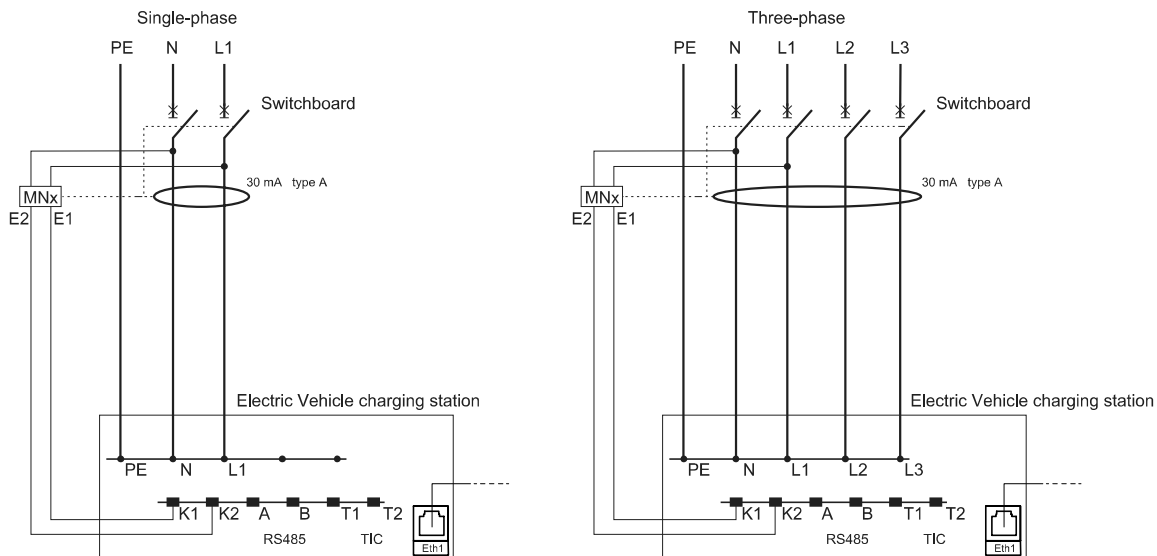
1-phase installations

	Distribution board - EVlink Home and EVlink Home Smart	EVlink Home and EVlink Home Smart - Undervoltage Release (MNx)
Diameter	3 x 10 mm <sup>2</sup> (3 x AWG 7)	2 x 0.5 mm <sup>2</sup> (2 x AWG 20)
Length	< 50 meters (164.04 ft)	< 30 meters (98.43 ft)

3-phase installations

	Distribution board - EVlink Home and EVlink Home Smart	EVlink Home and EVlink Home Smart - Undervoltage Release (MNx)
Diameter	5 x 6 mm <sup>2</sup> (6 x AWG 9)	2 x 0.5 mm <sup>2</sup> (2 x AWG 20)
Length	< 50 meters (164.04 ft)	< 30 meters (98.43 ft)

# 5 Wiring



MNx : Undervoltage release

# 6 Energy Management (For EVlink Charging Station with TIC function)

- The charging station is fitted with a TIC input (Tele-Information Consumer) enabling it to be connected to French utility electronic meters (former electronic meters and new Linky meters). Please note that only the "historical mode" of the TIC interface is managed. The "standard mode" is ignored.
- The TIC link is to be wired to the terminal block T1-T2.
- The TIC interface is intended to avoid the risk of tripping of the connection to the grid (utility meter or connection circuit-breaker) when the overall consumption of the home is close to the subscribed power. The TIC interface serves to avoid the tripping of the main circuit breaker when the overall electrical consumption of the home is close to the subscribed power. In some cases the TIC interface can completely stop the EV charging, to ensure the continuity of the home electrical supply.
- Only one charging station can be interfaced with the meter. No manual setting is needed. As per the information provided by the TIC interface – instant overall current and subscribed current value – the charging station calculates the maximum charging current value available for the electric vehicle and automatically adjusts the maximum charging current setpoint value given to the vehicle. When the value gets lower than the minimum acceptable by the vehicle the charging process is suspended and will resume as soon as possible.
- Each time the TIC output of the meter cannot be easily reached a TIC simulator can be used. Please refer to its documentation to know how to install it and operate it. The TIC simulator can also be used outside France regardless of the utility meter, in countries where there is a limited (subscribed) power at home. Please check the TIC simulator documentation to confirm the feasibility.

## For EVlink Home

- Moreover, the TIC interface provides the on-peak / off-peak hours indication allowing the charging station to differ or suspend the charging, or charge at slow speed, during on-peak hours, if the related charging mode has been selected ( section "Operation", page 18).
- Deferred start of charging:
  - To schedule charging hours or to an on-peak / off-peak contactor to charge only during off-peak hours.
- Charging power limitation:
  - The charging station reduces the maximum charging current setpoint value given to the vehicle.

**Notes:** For 11 kW charging stations it is required to check that the electric vehicle to be charged can support a charging current setpoint value at 10 A. If not, the charging power limitation function must not be activated.

## For EVlink Home Smart

- Charging scheduling shall be done by using Wiser Application.

# 7 Connection

## ⚠ ⚠ DANGER

### HAZARD OF ELECTRIC SHOCK, EXPLOSION OR ARC FLASH

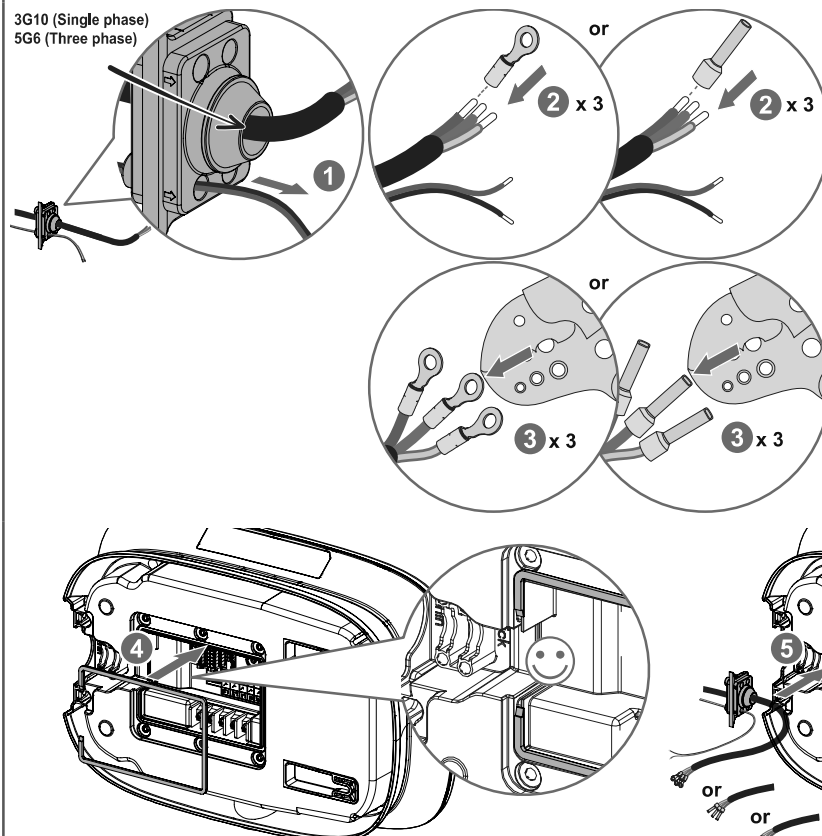
- Disconnect the mains power supply before working on the charging station.
  - Use a Voltage Tester of appropriate rating.
  - Do not turn on the charging station if the earth resistance measured is higher than the threshold defined in the enforceable regulations.
  - Connection to a Undervoltage release (MNx). It is not supplied with the charging station.
- Failure to follow these instructions will result in death or serious injury.**

## 7.1 Undervoltage Release (MNx)

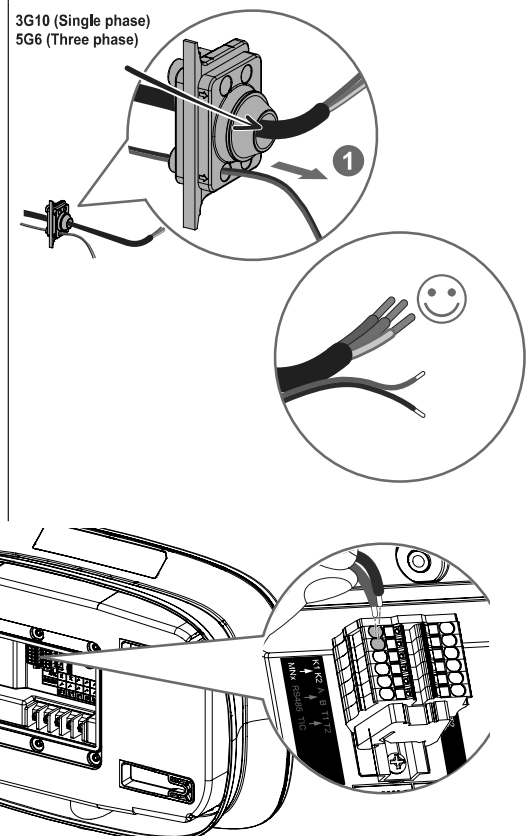
- Install a Undervoltage release (MNx) as described in the wiring diagram, section "Wiring", page 7, to help to increase operator safety with IEC 61851-1.
- Connect the Undervoltage release (MNx) with 0.5 mm<sup>2</sup> (AWG 20) 2-core cable with insulation for 220~240 V no wider than 5 mm.
- Take the rubber gasket and poke out 1 of the 2 rubber plugs.
- Pass the 2 wires connecting the Undervoltage release (MNx) through the now empty plug.
- Inside the EVlink Home charging station, insert 1 wire from the Undervoltage release (MNx) into the K2 terminal of the connector.
- Insert the other end into the K1 terminal of the connector.

## 7.2 Wire-up Power Supply

### Flexible cable with Ring or PIN terminal connection



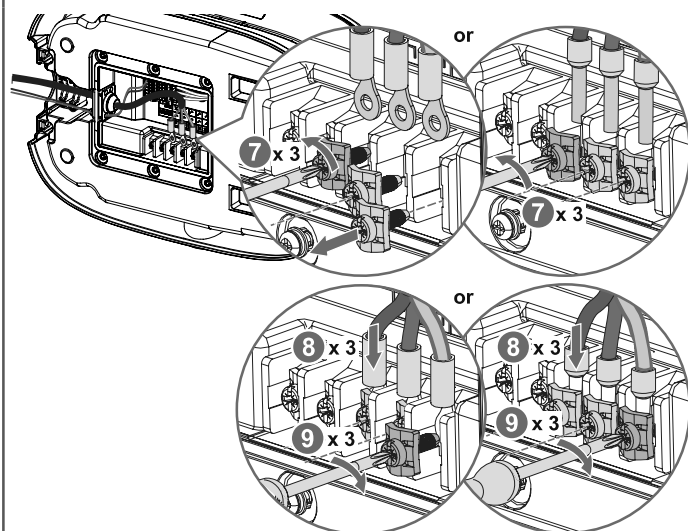
### Rigid cable connection



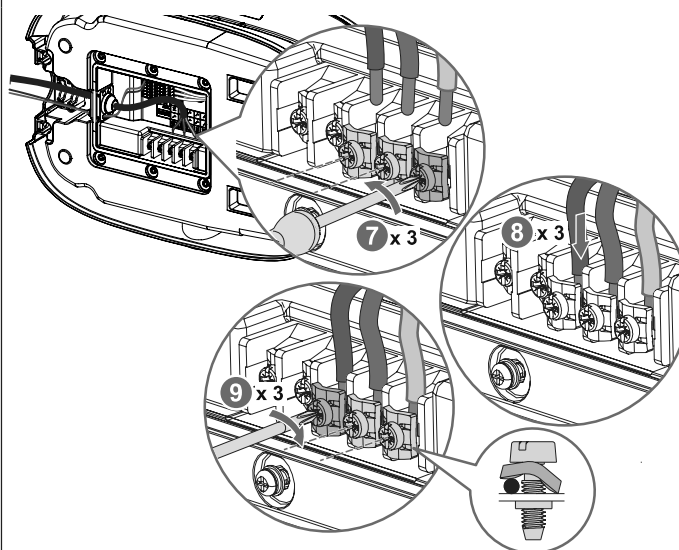
# 7 Connection

## 7.2 Wire-up Power Supply

### Flexible cable with Ring or PIN terminal connection

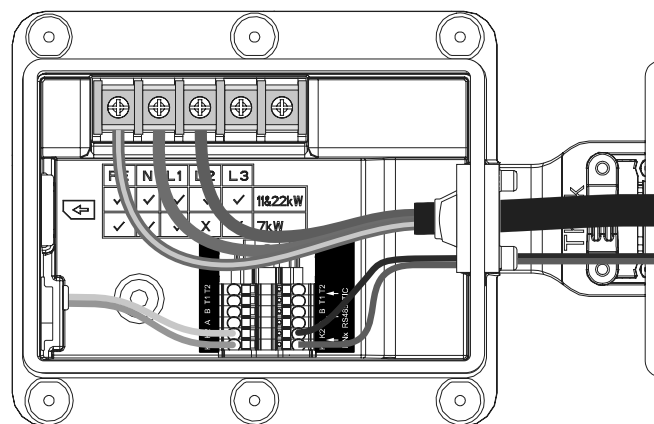
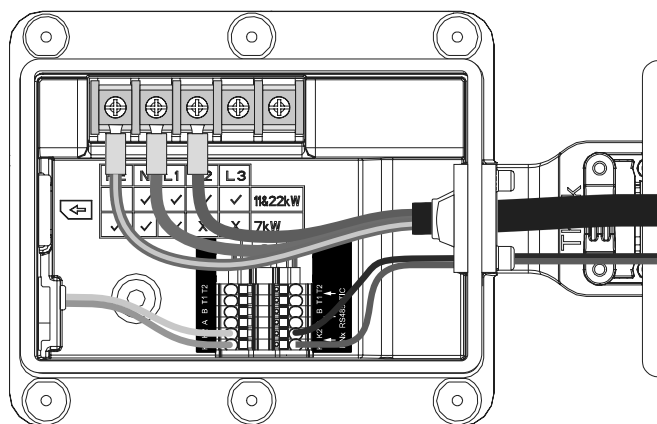


### Rigid cable connection

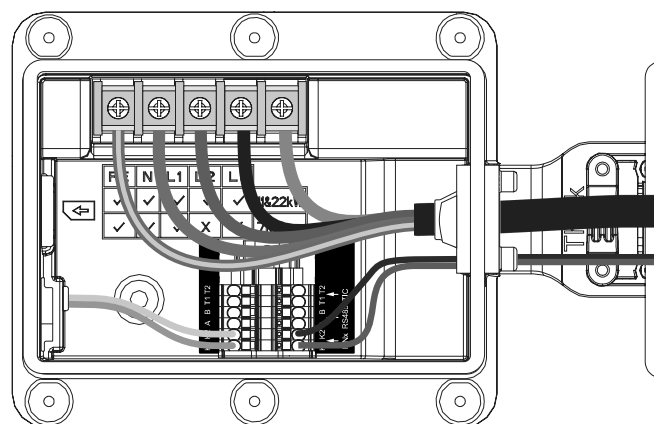
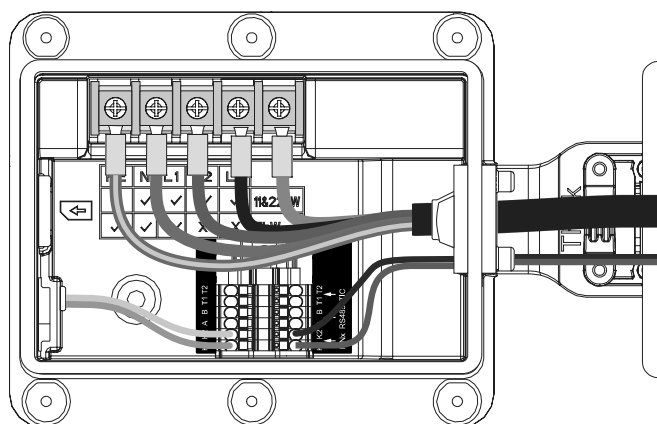


Cable connection type	Cable section	N.m	⊕ ⊖	
Flexible cable with Ring terminal	2.5 - 6 mm <sup>2</sup> (AWG 13.2 - 9.4)	1.7 N.m (15.04 lb-in)	PH2 / PZ2	8 mm (0.31 in)
Flexible cable with PIN terminal	10 mm <sup>2</sup> (AWG 7)			
Rigid cable	2.5 - 10 mm <sup>2</sup> (AWG 13.2 - 7)			13 mm (0.51 in)

### 1 phase EVlink charging station



### 3 phases EVlink charging station

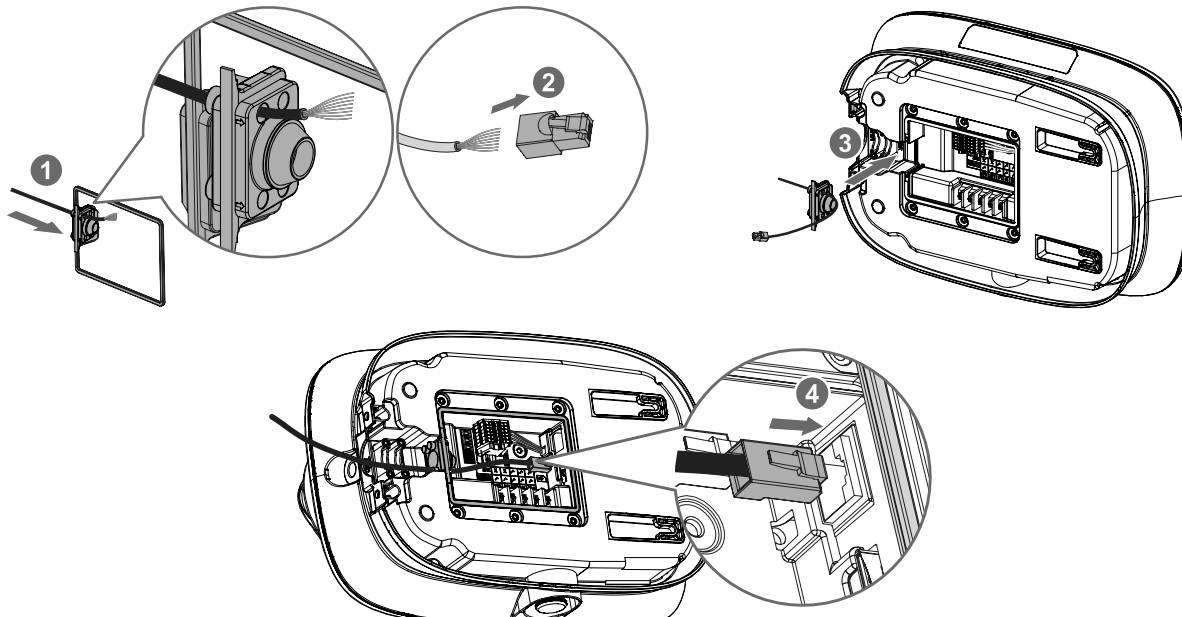


Note: Please ensure all 3 phases are connected correctly  
Power supply cable from the bottom side.

# 7 Connection

## 7.3 Ethernet Port Connection (Optional for EVlink Home Smart Charging Station)

- When installing the EVlink Home Smart charging station, it is recommended to prepare the Ethernet connection in advance.
- Refer to the following procedure. Plug the Ethernet connector into the Ethernet port.

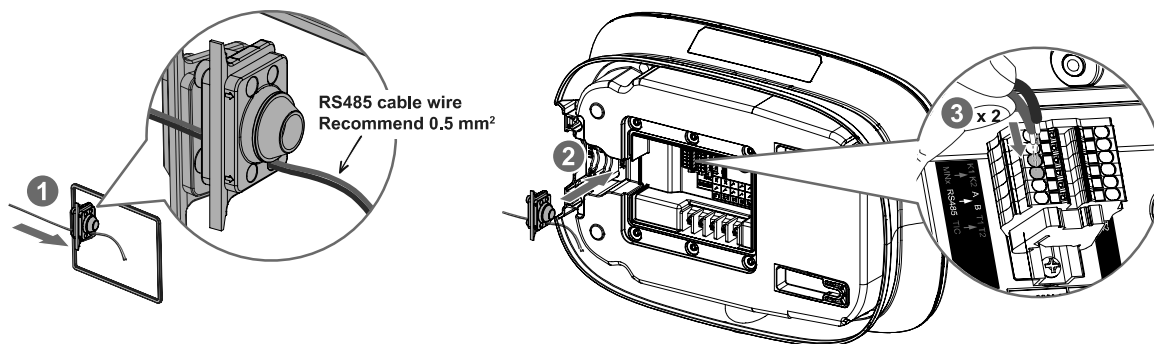


Note:

For EVlink Home Smart charging stations, an Ethernet cable connection is preferred over a Wi-Fi connection if the charging station is installed outside or in a garage that does not have an Internet box/router or Wi-Fi repeater. If an Ethernet cable connection is not practical it is recommended to install a Wi-Fi repeater close to the charging station.

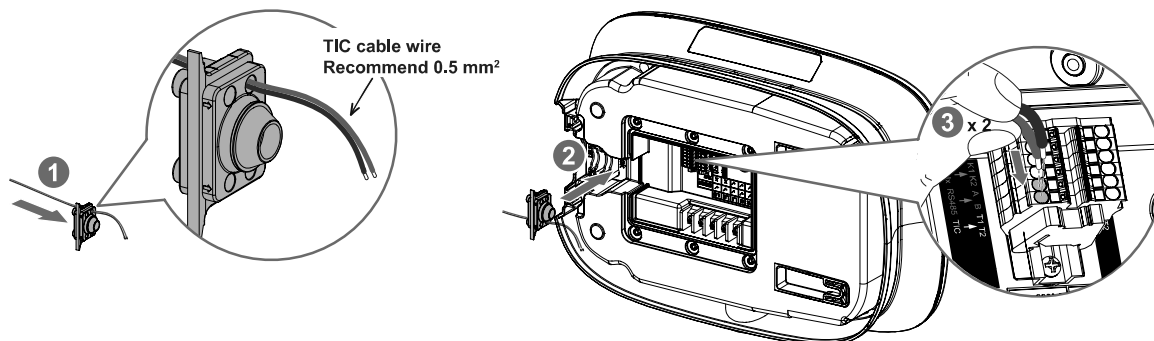
## 7.4 RS485 Port Connection (Optional for EVlink Home Smart Charging Station)

- When installing EVlink Home Smart charging station, consider whether to do RS485 connection for Certified Power Meter (MID) in advance.
- If need it, follow below connection guide procedures. Connect RS485 wire 1 x 0.5 mm<sup>2</sup> (1 x AWG 20) with positive (+) data into A terminal, connect RS485 wire 1 x 0.5 mm<sup>2</sup> (1 x AWG 20) with negative (-) data into B terminal. Refer to Energy Meter (MID) instruction sheet, do not reverse the RS485 wire connection.
- Energy Meter (MID) references: A9MEM2155, A9MEM3155.
  - The speed of the meters have to be set at 19200 baud.
  - Other parameters to be used are default parameters. For information: Parity: even, Stop bit: 1, Do not use address 247".

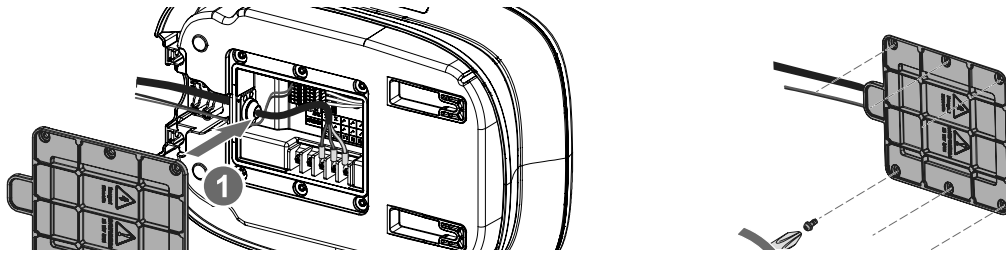


## 7.5 TIC connection (For EVlink Charging Station with TIC function)

- When installing EVlink charging station with TIC function, consider whether to connect French utility electronic meters in advance.
- If need it, follow below connection guide procedures. Connect TIC wire 2 x 0.5 mm<sup>2</sup> (2 x AWG 20) into T1& T2 terminal.

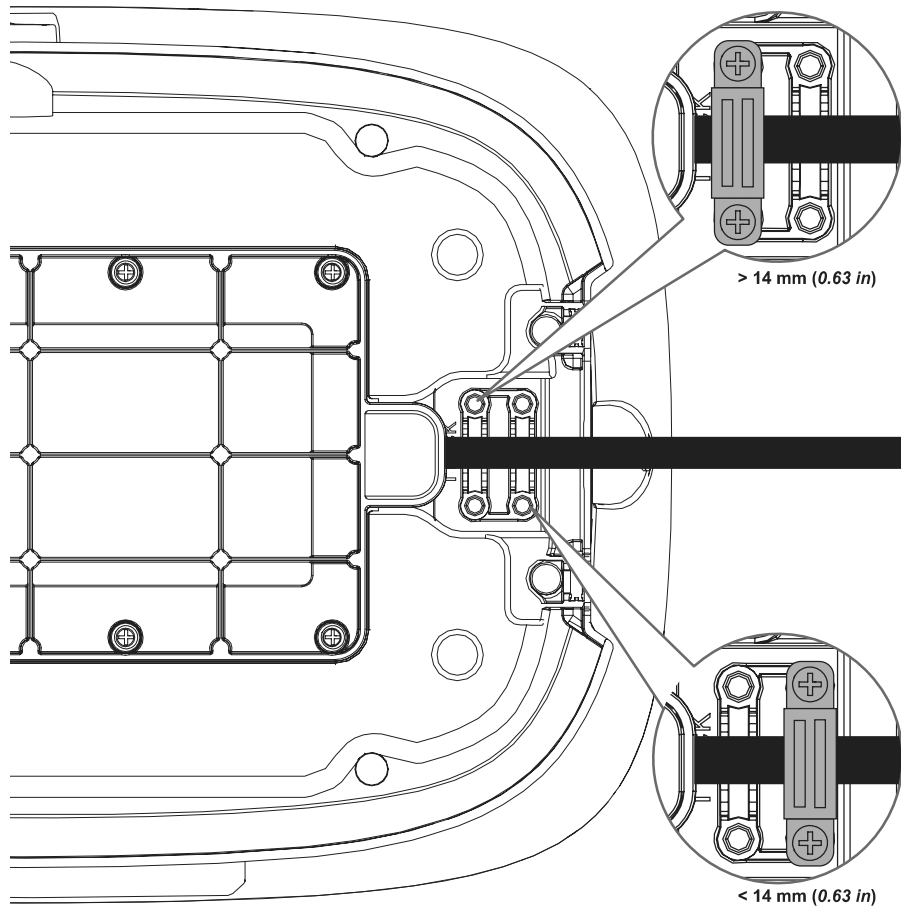


## 7.6 Secure Inspection Hatch



## 7.7 Clamp Power Cable

- Select clamp position according to power cable diameter.



# 8 Installation

## ⚠️ ⚠️ DANGER

### HAZARD OF ELECTRIC SHOCK, EXPLOSION OR ARC FLASH

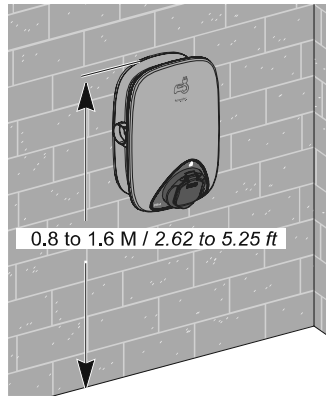
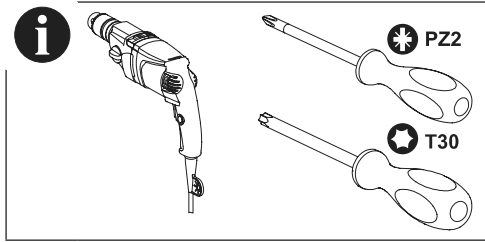
- Disconnect power supply before working on this equipment.
  - Use a voltage tester of suitable rating.
  - Do not start the charging station if the ground resistance measured is greater than the threshold defined by the applicable law.
  - Install the over-current and residual current protections as described in the instructions and recommendations chapter, section "Operation", page 18.
  - Do not use a system which automatically resets the residual current circuit breaker.
- Failure to follow these instructions will result in death or serious injury.**

## ⚠️ WARNING

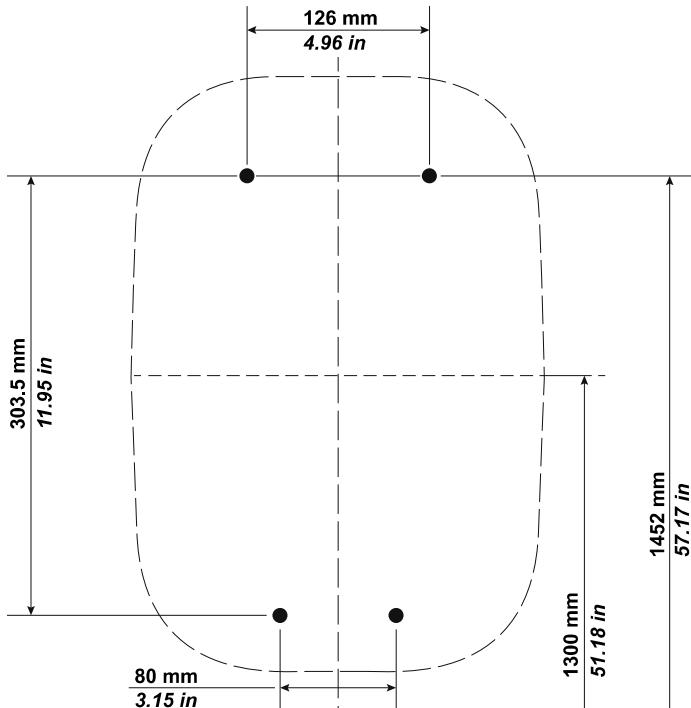
### RISK OF DAMAGING THE CHARGING STATION

- Protect the charging station from dust and water while fixing the bracket.
  - Attach the charging station to a flat surface.
  - Use screws, washers and wall plugs suitable for the wall material.
- Failure to follow these instructions can result in death, serious injury, or equipment damage.**

### 8.1 Mark Installation Area



- Check the installation area before marking it on the wall. It is recommended to situate the top of the charging station between 0.8 to 1.6 m / 2.62 to 5.25 ft above the ground.



- Place the drilling template at a suitable height, and mark the support screws on the wall with a pencil.
- Ensure you allow sufficient space around the charging station to wind the cable and access the stop button (left-hand side).

## ⚠️ WARNING

### HAZARD OF ELECTRIC SHOCK

Disconnect power supply.  
**Failure to follow these instructions can result in death, serious injury, or equipment damage.**

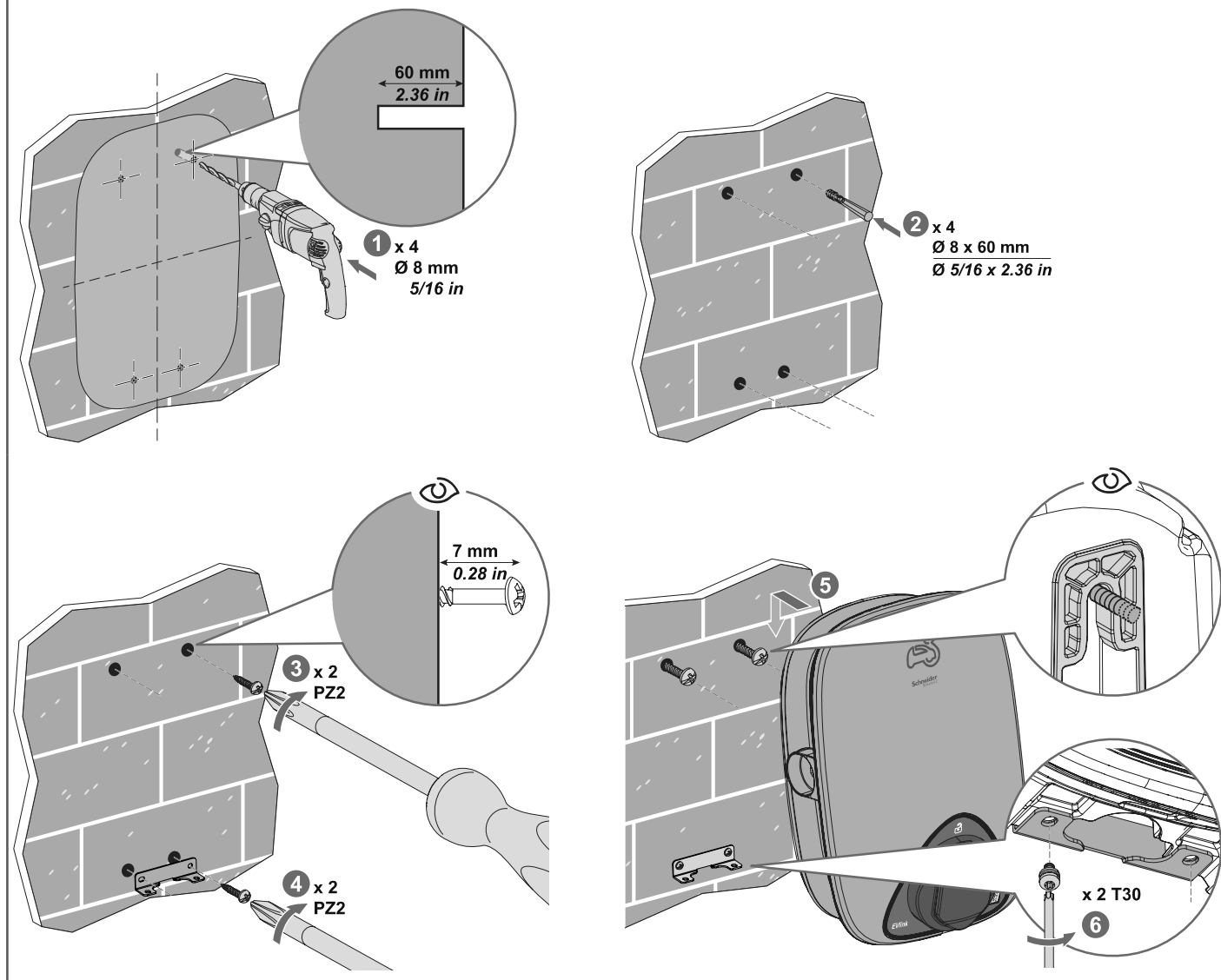
#### Recommended installation procedure

1. Read EVlink Home's Instruction Sheet.
2. Mark area using Installation Template sheet.
3. Drill holes through template.
4. Fix screws and bracket to holes.
5. Wire upstream protection, section "Protection", page 7.
6. Wire shunt trip release (MNx) to charging station.
7. Wire TIC connection.
8. Wire power supply to charging station.
9. Secure charging station's inspection hatch.
10. Clamp charging station's power cable.
11. Mount charging station onto screws and bracket.
12. Fix bracket to charging station.
13. Inspect installation, section "Inspection", page 13.
14. Check stop button unlocked, section "Configuration for EVlink charging station with Stop Button", page 14.
15. Reconnect power supply.



# 8 Installation

## 8.2 Drill, Fix and Mount



# 9 Inspection

## ⚠ ⚠ DANGER

### HAZARD OF ELECTRIC SHOCK, EXPLOSION OR ARC FLASH

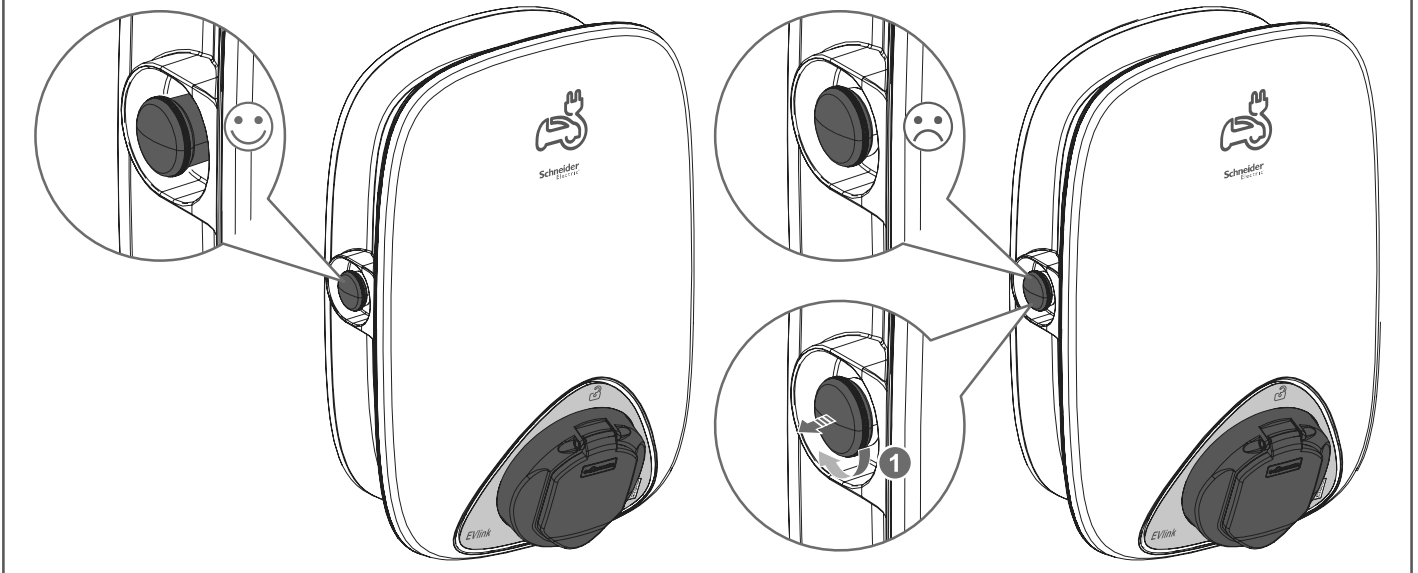
Wear suitable personal protective equipment (PPE) and follow all safety procedures.

**Failure to follow these instructions will result in death or serious injury.**

- Check that the inspection hatch is correctly screwed down.
- Ensure that the power cable is securely fastened by the crimping collar.
- Check that the cover of the charging station is intact and hasn't suffered any obvious mechanical damage or deformation.
- Check that the charging station is securely fastened to the wall.
- Check that nothing is impeding the connection of the charging cable to the charging station socket.

# 10 Configuration for EVlink Charging Station with Stop Button

- Check that the Stop Button is unlocked by rotating it 90° clockwise.



# 11 TIC Operation (for EVlink Charging Station with TIC function)

## 11.1 TIC Mode

- Mode 1: Anti tripping management OK, & no deferred start (no peak hour management)
- Mode 2: Anti tripping management OK, & deferred start (peak hour management) enabled
- Mode 3: Anti tripping management OK, & power limitation (peak hour management) enabled
  - Power limitation:
    - From 16 A to 10 A for 3.7 kW and 11 kW charging stations
    - From 32 A to 16 A for 7.4 kW charging stations
- Mode 4: Disabled TIC

### NOTICE

- EVlink Home charging station is by default configured in **Mode 1**.
- EVlink Home Smart charging station is configured in **Mode 1** when enable through eSetup Application.

## 11.2 TIC Mode Operation

### Operating mode – TIC signal detected

- The TIC signal can be available only in **France**.
  - Mode 1:
    - Anti tripping management enabled.
    - charging at rated current dynamically controlled as per current-related information provided by TIC interface.
  - Mode 2:
    - Charging only during off-peak hours.
    - Anti tripping management enabled. charging at rated current dynamically controlled as per current-related information provided by TIC interface.
  - Mode 3:
    - Charging at rated current during off-peak hours. charging at limited current during on-peak hours.
    - Anti tripping management enabled. charging current always dynamically controlled as per current-related information provided by TIC interface.

### Operating mode – TIC NOT detected

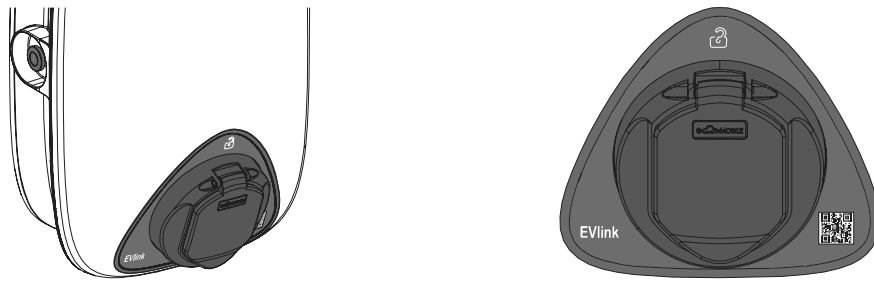
- Charging at rated current.

# 11 TIC Operation (for EVlink Charging Station with TIC function)

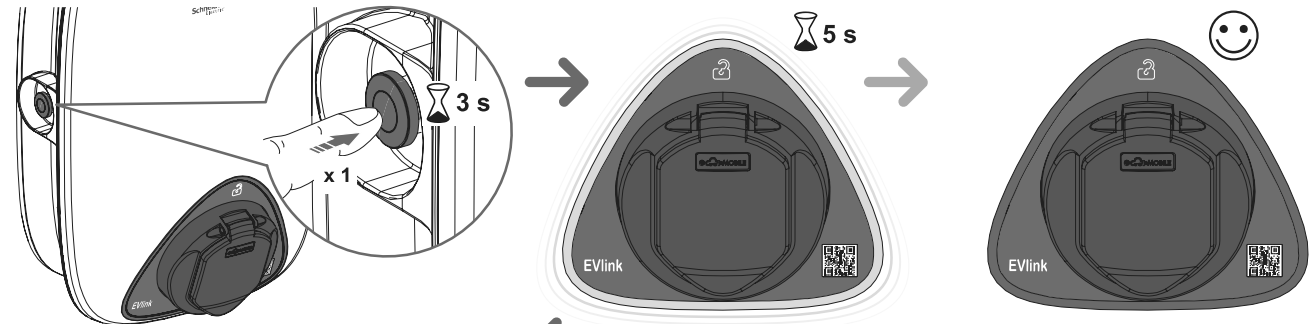
## 11.3 TIC Mode Setting

■ For EVlink Home charging station, by press Green button.

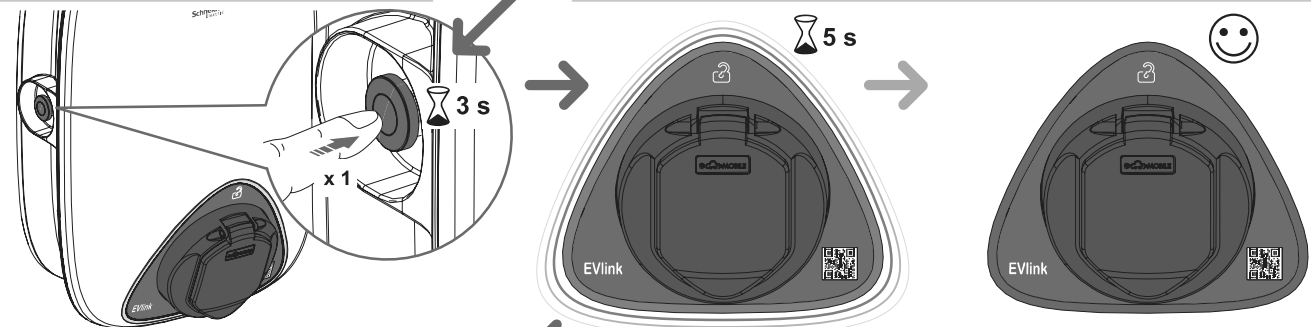
By default it's MODE 1



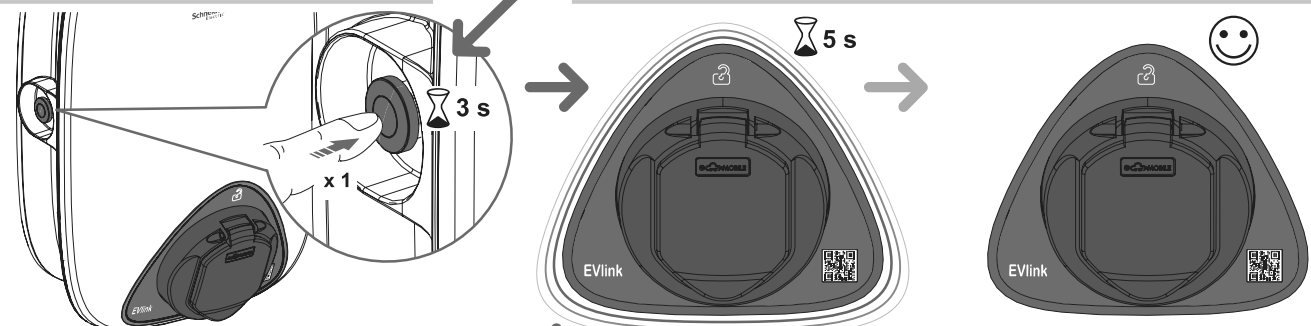
To configure MODE 2



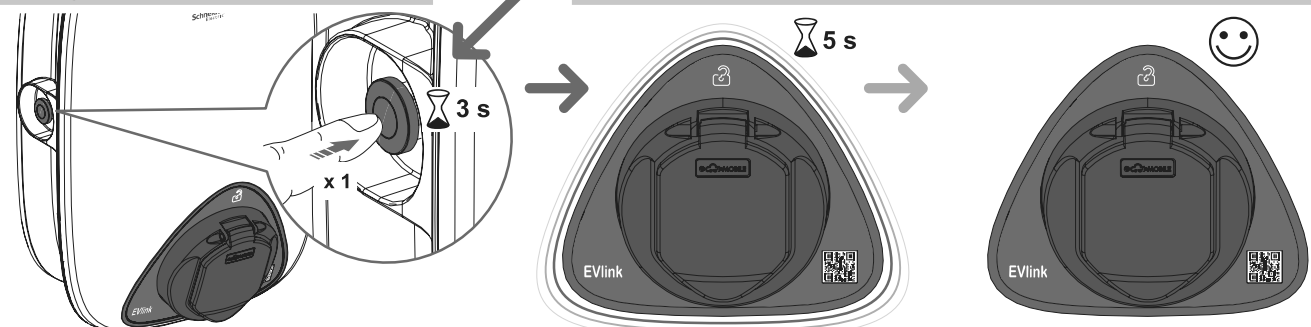
To configure MODE 3



To configure MODE 4



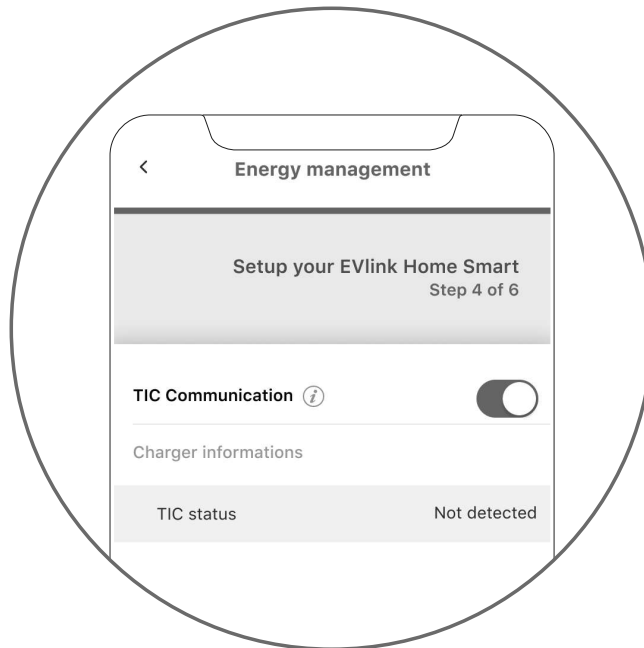
To configure MODE 1



# 11 TIC Operation (for EVlink Charging Station with TIC function)

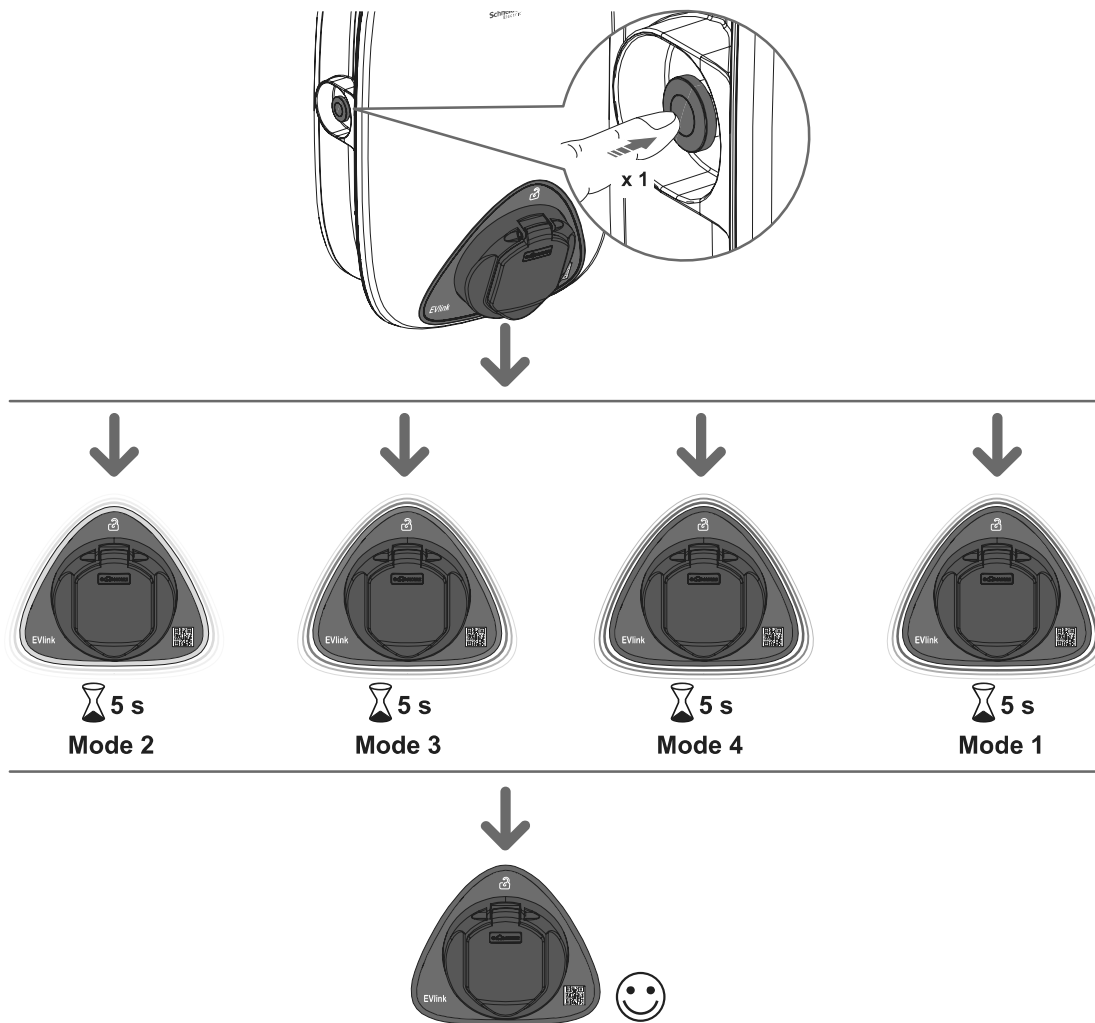
## 11.3 TIC Mode Setting

■ For EVlink Home Smart charging station by using eSetup App to enable TIC function, follow the eSetup mobile application guideline.



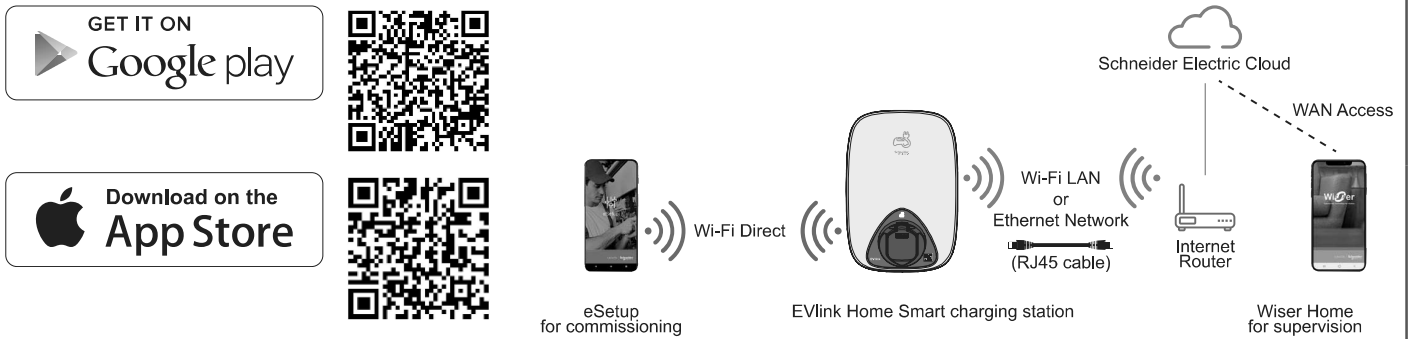
## 11.4 Show Current TIC Mode

■ For EVlink Home charging station by press green button once, the LED status will show as below table



# 12 eSetup Commisioning App (For EVlink Home Smart Charging Station)

## 12.1 Charging Station Configuration with eSetup for Electrician App

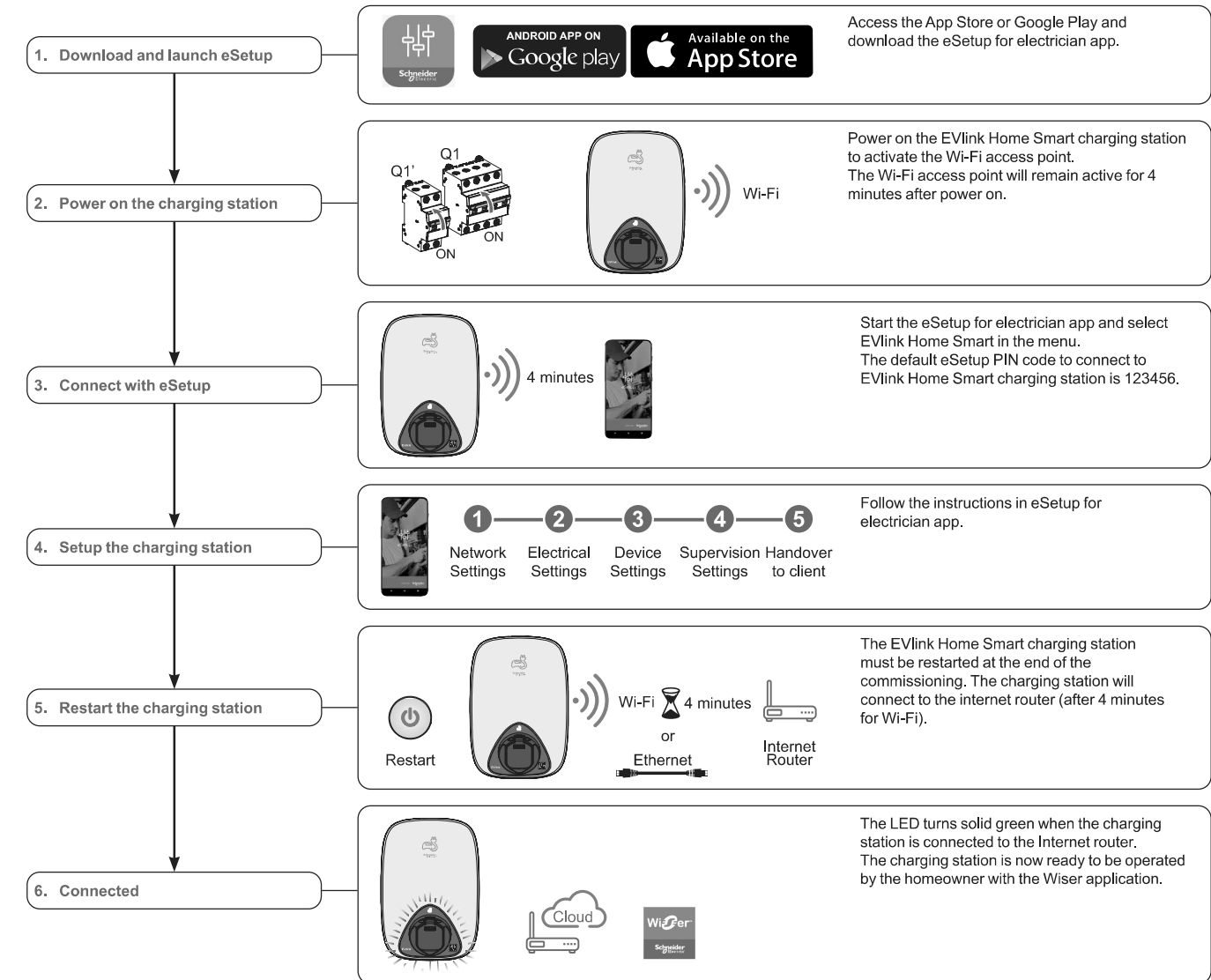


## 12.2 Commissioning Steps

### NOTICE

#### FIRMWARE UPGRADE

- Do not shut down the power during the Firmware upgrade.
- Failure to follow these instructions can result in equipment damage.
- The whole Firmware upgrade duration will take 5 to 10 minutes.
- For your information, eSetup will disconnect from EVlink Home Smart charging station during the process.



#### Notes:

Refer to privacy notices made available to you in the Wiser application or supervision tool, as applicable.

## 12.3 Charging Station PIN code reset

- PIN Code reset:
  - If the charging station PIN code is lost, use the Reset PIN option in eSetup.

## 13.1 Connecting the Electric Vehicle Charging Station

- Connect the charging cable's plug into the Electric Vehicle charging station's socket.
- Connect the charging cable's connector into the Electric Vehicle's inlet.
- The charge's LED indicator will change from a solid green to pulsing blue.

## 13.2 Disconnecting the Electric Vehicle

### ⚠ WARNING

#### RISK OF INJURY

Do not use brute force to unplug the charging connector from the Electric Vehicle as it is mechanically locked .  
**Failure to follow these instructions can result in death, serious injury, or equipment damage.**

- Stop the charging session via the Electric Vehicle to unlock the connector.
- Unplug the charging station's connector from the Electric Vehicle's inlet.

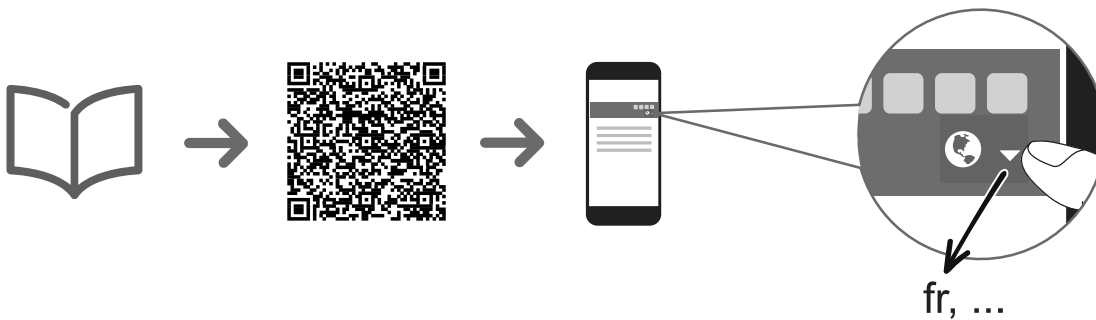
## 13.3 Remote supervision with Wiser (for EVlink Home Smart Charging Stations)

- Wiser Home lets you add, configure, control and schedule your connected Schneider Electric devices from anywhere.



#### Reading the full device guide online

- Scan the QR code and choose your language for French market
  - For complete information about the device, including operation, configuration and using the product with a Wiser system.



# 14 Charging station Status Indicators

LED indication	Charging station status	
	Breathing Green	Wi-Fi Direct activated for commissioning with eSetup
	Blinking Green	Firmware upgrade on going – Please wait !
	Solid Green	Charging station ready
	Breathing Blue	Charging EV
	Blinking Blue	Charging suspended by the EV, supervision or anti-tripping module
	Solid Blue	Charge ended
	Solid Orange	Charging station not connected (if connectivity is configured)
	Blinking Red	Stop / Error – Please refer to “Basic Troubleshooting” section
	Solid Red	Stop / Error – Please refer to “Basic Troubleshooting” section

Note : Charging stations upgraded up to July 2023 breath light green when not connected to the internet router

Note : Charging stations commissioned or updated after July 2023 breath green when Wi-Fi for commissioning is activated

# 15 Basic Troubleshooting

Symptom	Possible causes and solutions
Connector plugged into Electric Vehicle but not charging, LED illuminated constant green	<ul style="list-style-type: none"> <li>■ Verify that the connector was inserted properly by unplugging and plugging it back into the Electric Vehicle's socket.</li> <li>■ Verify the charging sequence by following the procedure described in section "Operation", page 18.</li> </ul>
Connector plugged into Electric Vehicle but not charging, LED illuminated fast blinking blue	<ul style="list-style-type: none"> <li>■ Verify that you do not have a schedule in progress through the supervision app (only for Smart version) that prevents charging the car.</li> <li>■ Verify that you do not have a schedule in progress through your car that prevents charging the car.</li> <li>■ In case you have installed an anti-tripping device. The anti-tripping device limits the maximum power draw of the EVlink Home charging station and can completely stop the charge to ensure the continuity of the electrical distribution under all conditions. Reduce the home load to have at least 9A current available per phase to restart charging the car.                             <ul style="list-style-type: none"> <li>□ Be sure you have enough power in your electricity subscription for charging the car and for the house loads. You probably need to increase the electricity subscription of your electrical installation.</li> </ul> </li> </ul>
Charging station's LED illuminated solid orange. (EVlink Home Smart charging station ONLY)	<ul style="list-style-type: none"> <li>■ Reboot the EVlink Home Smart charging station and wait 10 seconds before energizing it.</li> <li>■ The EVlink Home Smart charging station is not connected to the cloud when using Wi-Fi:                             <ul style="list-style-type: none"> <li>□ Verify that you have connected the EVlink Home Smart charging station to a 2.4 GHz Wi-Fi with WPA2 password</li> <li>□ Verify that the SSID and password are correct.</li> <li>□ In case the Wi-Fi signal is too weak: connect the charging station with Ethernet cable, or add a Wi-Fi range extender.</li> </ul> </li> </ul>
Charging station's LED illuminated red	<ul style="list-style-type: none"> <li>■ Verify that the Stop Button isn't locked by rotating it 90° clockwise to unlock it.</li> <li>■ If not, switch off the power supply to the charging station, unplug the connector from the Electric Vehicle, reconnect the power supply, wait for the charging station to become ready (LED illuminated constant green), before reconnecting the connector to the Electric Vehicle.</li> <li>■ Failing that, check that the power supply is securely wired to the charging station's PE (Protective Earth) terminal.</li> </ul>
Charging station's LED off	<ul style="list-style-type: none"> <li>■ No power supply. Switch off the power supply to the charging station, The charging station is possibly damaged. Please contact Schneider Electric's Customer Care Centre.</li> </ul>
Charging station's LED red blinking	<ul style="list-style-type: none"> <li>■ Verify that the TIC cable connect correctly or not for EVlink charging station with TIC function.                             <ul style="list-style-type: none"> <li>□ For EVlink Home charging station in TIC mode 1/2/3.</li> <li>□ For EVlink Home Smart charging station with TIC function enable though eSetup Application.</li> </ul> </li> </ul>

# 16 Wireless Feature Declaration

## For Europe (where the CE marking is applicable):

Hereby, Schneider Electric Industries, declares that this electric vehicle charging station EVlink Home Smart is in compliance with the essential requirements and other relevant provisions of Radio Equipment Directives RED 2014/53/EU.

The EU declaration of conformity for EVlink Home Smart offer (EV22080801) can be downloaded on: [se.com/docs](https://se.com/docs).

- Wi-Fi:
  - Operating frequency bands: 2412 MHz – 2472 MHz
  - Maximal RF output power: less than 20 dBm (18.25 dBm)

## For UK:

Hereby, Schneider Electric Industries, declares that this electric vehicle charging station EVlink Home Smart is in compliance with the essential requirements and other relevant provisions of Radio Equipment Regulation SI 2017 No. 1206.

The UK declaration of conformity for EVlink Home Smart offer (EV22080801-UK) can be downloaded on: [se.com/uk/docs](https://se.com/uk/docs).

- Wi-Fi:
  - Operating frequency bands: 2412 MHz – 2472 MHz
  - Maximal RF output power: less than 20 dBm (18.25 dBm)

# 17 Recycle



The packaging materials from this equipment can be recycled.  
 The product and all accessories marked with this symbol are electrical and electronic components that must be disposed of separately from household waste.  
 Please help protect the environment by disposing waste in appropriate containers.  
 Thank you for helping to protect the environment.

# 18 Warranty

Do not open the charging station or remove the cover.  
 Contractual warranty: 18 months.

