



Description

OptiLine 70 Service posts are made of natural anodized aluminium with a high surface finish. They are mounted on a floor fixing and are available in one and two-sided versions.

The OptiLine 70 posts have a front opening of 70 mm, allowing 45x45 module wiring devices and modular devices to be installed by means of adaptors.

Application

The posts provide solutions for the supply of power, telecom and data to workplaces on various types of floor. On raised access floors and in-cavity floors they are fed from under the floor, on concrete floors the feeding comes from a screeded floor box. For other floors a floor feeder profile is available as an accessory.

Benefits

- Stable and robust design.
- Softly rounded and compact form.
- Accessories for above-floor supply.
- Slots on both sides of the pole allow easy mounting of accessories. Also for decorative stripes in three colours.

Technical and Material data

Aluminium, extruded	Specification	EN-AW-6063	
	Density	2.7 g/cm ³	
	Linear expansion	2.4x10 ⁻⁵ /°C	
	Surface treatment	Natural anodizing	
Aluminium, die cast	Density	2.7 g/cm ³	
	Linear expansion	2.4x10 ⁻⁵ /°C	
	Surface treatment	Powder coating	
	Colour	Grey RAL 9007	
PC/ABS	Density	1.14 g/cm ³	
	Linear expansion	70x10 ⁻⁶ /°C	
	Volume resistivity	>10 ¹³ Ω cm	
	Water absorption	0.6%	
	Fire rating	UL 94 HB	
	Colour		• White RAL 9010
			• Aluminium metallic (painted)
		• White (unspecified)	
PBT with 30% glass-fibre	Density	1.52 g/cm ³	
	Linear expansion	40-70x10 ⁻⁶ /°C	
	Fire rating	UL 94 HB (1.5 mm)	
	Colour	Light grey	
PC+ASA	Density	1.15 g/cm ³	
	Linear expansion	80x10 ⁻⁶ /°C	
	Water absorption	0.6%	
	Volume resistivity	>10 ¹³ Ω cm	
	Dielectric strength	17 kV/mm	
	Fire rating	UL 94 HB	
	Colour		• White RAL 9010
		• Aluminium metallic (painted)	
PVC	Density	1.5 g/cm ³	
	Linear expansion	60x10 ⁻⁶ /°C	
	Volume resistivity	>10 ¹³ Ω cm	
	Water absorption	<0.2%	
	Fire rating	UL 94 V0 (0.8 mm)	
	Colour	Grey RAL 7030	
Degree of protection	IP40		
Temperature range	Operating temperature from -25°C to +60°C		
Standards and certificates	The products comply with the standards:		
	• SS 424 10 32		
	• IEC 1084-2-4		
The products satisfy the provisions for CE marking according to the Low Voltage Directive 73/23/EEC and 93/68/EEC			

Mounting instruction

Mounting instruction, Art.No. 0075311 / 20056723, is enclosed with the product. Mounting instructions are also available on PI@net.

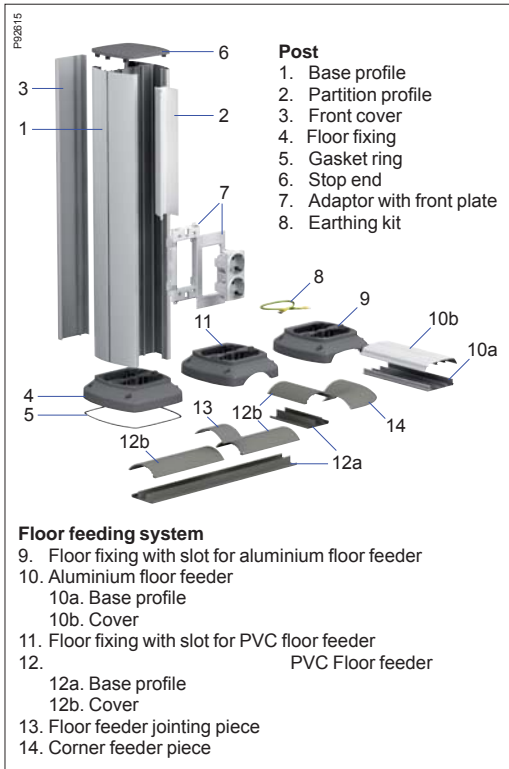
Product Environmental Profile

Product Environmental Profile documents are available on PI@net.

Package info

Package information is included in the Prodat file, which is available on Yepnet. Package information can also be obtained from the responsible factory.

Exploded view

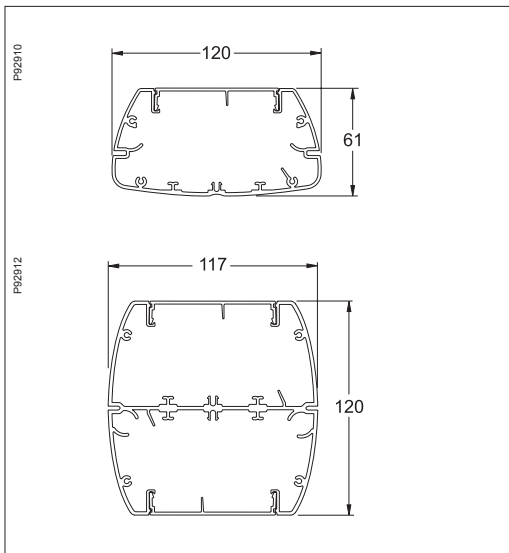


Cable capacity

Com-part-ment	Max. Ø mm	Cross section area mm ²	Cable capacity*) mm ²		
			40%	50%	60%
One-sided post					
1	21	1418	567	709	851
2	26	905	362	452	543
3	36	2207	883	1103	1324
4	18	2917	1167	1458	1750
Two-sided post					
1	42	4980	1992	2490	2988
2	23	1471	588	735	883
3	26	900	360	450	540
4	38	2253	901	1126	1352
5	25	2998	1199	1488	1799

*) We recommend a 40% utilization of the cable capacity.

Design and dimensions



Service posts

Type	Colour	Dimensions A/B/C (mm)	Qty per package	EAN code	Internal ID-No.	Ref. No.		
One-sided post								
Empty, one-sided service post mounted on a floor fixing. Including stop end, earthing kit and mounting instruction. Gasket ring included for the floor fixing. Unearthed. Supplied without wiring devices and cables. The 70 mm front opening allows 45x45 module wiring devices and modular devices to be installed by means of adaptors. Material: Aluminium, natural anodized.								
P92201		For two two-module adaptors	Anodized	333/100/153	1	3606480030239	20055914	ISM20600
P92204		For four two-module adaptors	Anodized	613/100/153	1	3606480030260	20055917	ISM20603
One-sided post with slotted floor fixing								
Empty, one-sided service post mounted on a slotted floor fixing. Slot for either aluminium or PVC floor feeder. Including stop end, earthing kit and mounting instruction. Gasket ring included for the floor fixing. Unearthed. Supplied without wiring devices and cables. The 70 mm front opening allows 45x45 module wiring devices and modular devices to be installed by means of adaptors. Material: Aluminium, natural anodized.								
P92201 P92183		For two two-module adaptors and aluminium floor feeder (18x91)	Anodized	333/100/153	1	3606480030246	20055915	ISM20601
P92201 P92818		For two two-module adaptors and PVC floor feeder (18x75)	Anodized	333/100/153	1	3606480030253	20055916	ISM20602
P92204 P92183		For four two-module adaptors and aluminium floor feeder (18x91)	Anodized	613/100/153	1	3606480030277	20055918	ISM20604
P92204 P92818		For four two-module adaptors and PVC floor feeder (18x75)	Anodized	613/100/153	1	3606480030284	20055919	ISM20605
Two-sided post								
Empty, two-sided service post mounted on a floor fixing. One side provided with an aluminium front cover. Including stop end, earthing kit and mounting instruction. Gasket ring included for the floor fixing. Unearthed. Supplied without wiring devices and cables. The 70 mm front opening allows 45x45 module wiring devices and modular devices to be installed by means of adaptors. Material: Aluminium, natural anodized.								
P92206		For two two-module adaptors	Anodized	333/164/154	1	3606480030291	20055920	ISM20606
P92209		For four two-module adaptors	Anodized	613/164/154	1	3606480030321	20055923	ISM20609
Two-sided post with slotted floor fixing								
Empty, two-sided service post mounted on a slotted floor fixing. One side provided with an aluminium front cover. Slot for either aluminium or PVC floor feeder. Including stop end, earthing kit and mounting instruction. Gasket ring included for the floor fixing. Unearthed. Supplied without wiring devices and cables. The 70 mm front opening allows 45x45 module wiring devices and modular devices to be installed by means of adaptors. Material: Aluminium, natural anodized.								
P92206 P92182		For two two-module adaptors and aluminium floor feeder (18x91)	Anodized	333/164/154	1	3606480030307	20055921	ISM20607
P92206 P92816		For two two-module adaptors and PVC floor feeder (18x75)	Anodized	333/164/154	1	3606480030314	20055922	ISM20608
P92209 P92182		For four two-module adaptors and aluminium floor feeder (18x91)	Anodized	613/164/154	1	3606480030338	20055924	ISM20610
P92209 P92816		For four two-module adaptors and PVC floor feeder (18x75)	Anodized	613/164/154	1	3606480030345	20055925	ISM20611
Post, customer adapted								
Service post according to special customer order. The post is available one- or two-sided with floor fixing with or without slot, see above, and can be specified in optional length and colour. Implies a detailed specification. Material: Aluminium.								
Acc. to customer spec.	Optional	Optional/—*/—*	—	—	—	20059796	ISMSPT	

*Two different measurements, see above

Accessories for service posts

Type	Colour	Dimensions A/B/C (mm)	Qty per package	EAN code	Internal ID-No.	Ref. No.
Front cover						
Front cover to be snapped into 70 mm front openings. With earthing slots. Supplied with protective foil, in lengths of 2 m. Material: Aluminium, natural anodized.						
Front cover	Anodized	2000/13/71	24 m	3606480029295	20055945	ISM11950
Modular device adaptor, two-module, Unica						
Adaptor, two-module, for modular devices like for instance miniature circuit breakers. With transparent grey cover. Material: PC/ABS (front plate), PBT (adaptor), PC+ASA (DIN-module), metal rail.						
For 1-2 modular devices	White RAL 9010	73/80/140	1	3606480029318	20056076	ISM15000
For 1-2 modular devices	Alu metallic	73/80/140	1	3606480029370	20055969	ISM15006
Adaptor for 45x45 module wiring devices, Unica						
Adaptor including front plate. Suitable for 45x45 module wiring devices, type Unica. Terminal blocks and earth terminals can be snap-fitted in the adaptor. To be combined with installation box in applications requiring strain relief of cables or extra insulation. To avoid gaps between wiring devices the adaptors can be snapped into one another. Material: PC/ABS (front plate), PBT (adaptor).						
For two 45x45 module wiring devices	White RAL 9010	73/28/140	1	3606480029516	20055947	ISM15201
For two 45x45 module wiring devices	Alu metallic	73/28/140	1	3606480029547	20055950	ISM15206
Adaptor for 45x45 module wiring devices, Altira						
Adaptor including front plate. Suitable for 45x45 module wiring devices, type Altira and similar. Terminal blocks and earth terminals can be snap-fitted in the adaptor. To be combined with installation box in applications requiring strain relief of cables or extra insulation. Altira front plate for wall applications can be snap-fitted in the adaptor. To avoid gaps between wiring devices the adaptors can be snapped into one another. Material: PC/ABS.						
For two 45x45 module wiring devices	White RAL 9010	73/35/140	1	3606480029424	20053647	ISM15101
Installation box for adaptors						
Installation box to be snap-mounted to an adaptor. The box has a built-in screwless strain relief and an interface that allows snap-fitting of terminal blocks and earth terminals, as well as cable-tie strain relieving. Slots in the box allow pre-wired wiring devices to slide in. Material: PC/ABS.						
Box for two-module Altira/Unica adaptor	White	71/42/140	1	3606480029394	20053680	ISM15011
Partition profile						
Partition profile of halogen-free material with two partition walls. Mounted in internal fixing rails of one and two-sided posts, for the separation of power and low voltage cables. Can be cut to the desired length. Material: ABS.						
Partition profile	White	500/49/50	10	3606480030222	20056001	ISM20555
Decorative stripe						
Decorative stripe to be fitted in the slots along the sides of one and two-sided poles and posts. Supplied in lengths of 5 m. Material: Silicone rubber.						
Decorative stripe	Grey	5000/Ø3.5	5 m	3606480030727	20052206	ISM20822
Decorative stripe	White RAL 9010	5000/Ø3.5	5 m	3606480030734	20052207	ISM20823
Decorative stripe	Orange	5000/Ø3.5	5 m	3606480030741	20052209	ISM20824

Accessories for service posts

Type	Colour	Dimensions A/B/C (mm)	Qty per package	EAN code	Internal ID- No.	Ref. No.
Earthing clamp						
Earthing clamp to be used for bonding of front cover, base profile and accessories to earth. Material: Steel.						
Earthing clamp	—	9/9/9	20	3606480028502	20051681	ISM10952
Earthing kit						
Kit including earth wire with flat pin connectors and earthing clamps. To be used to connect the front cover to the base profile.						
Earthing kit	Yellow/green	L = 200 L = 300	10 10	3606480028519 3606480028526	20052945 20052946	ISM10953 ISM10954
Floor fixing with slot for floor feeder						
Floor fixing for one or two-sided service post. Fixed to the floor by screws. With slot for connection of floor feeder 18x75 or 18x91 mm. Gasket ring included. Material: Aluminium, powder coated.						
For one-sided post and 18x91 mm aluminium floor feeder	Grey RAL 9007	45/100/153	1	3606480030352	20056002	ISM20650
For two-sided post and 18x91 mm aluminium floor feeder	Grey RAL 9007	45/164/154	1	3606480030369	20056003	ISM20651
For one-sided post and 18x75 mm PVC floor feeder	Grey RAL 9007	45/100/153	1	3606480030376	20056004	ISM20652
For two-sided post and 18x75 mm PVC floor feeder	Grey RAL 9007	45/164/154	1	3606480030383	20056005	ISM20653

Floor feeder and accessories

Floor feeder, aluminium						
Floor feeder made up by a three compartment base profile and cover, supplied in lengths of 2.5 m. The base profile has punched holes to simplify mounting. Provided with screw slots for earth connection. Can be used as a separate item or in combination with a service post with slotted floor fixing for aluminium floor feeder. Meets load requirements according to VDE 0634 (750 N/50 mm ²). Material: Aluminium, natural anodized.						
Floor feeder	Anodized	18/91/2500	1	3606480030390	20056006	ISM20660
Floor feeder, PVC						
Floor feeder made up by a base part with three compartments and a cover. Supplied in lengths of 2 m. To be used for feeding along the floor to a service post provided with a slotted floor fixing for 18x75 mm floor feeder. Material: PVC.						
Floor feeder	Grey RAL 7030	18/75/2000	28 m	3606480030673	20052225	ISM20817
Floor feeder made up by a base part with three compartments and a cover. Supplied in lengths of 2 m. To be used for feeding along the floor to a service post provided with a slotted floor fixing for 18x75 mm floor feeder. Material: Aluminium, natural anodized.						
Floor feeder	Anodized	18/75/2000	8 m	3606480027536	20058649	ISM20857
Floor feeder jointing piece						
Floor feeder jointing piece to cover joints between floor feeder sections. Material: PVC.						
Jointing piece	Grey RAL 7030	20/50/78	10	3606480030680	20052224	ISM20818
Corner feeder piece						
Corner feeder piece to be used in 90 degree corners between floor feeder sections. Material: PVC.						
Corner feeder piece	Grey RAL 7030	20/120/120	10	3606480030697	20052205	ISM20819