



Description

OptiLine 70 is a service pole range for all types of wiring devices. OptiLine 70 Service poles are made of natural anodized aluminium with a high surface finish. They are installed free-standing in the room, mounted on a foot and movable within a radius of up to 1.5 metres from the connection point in the ceiling, or tension-mounted between floor and ceiling. Both types are available in one and two-sided versions or with one or two installation boxes for wiring devices.

The OptiLine 70 poles have a front opening of 70 mm, allowing 45x45 module wiring devices and modular devices to be installed by means of one, two or three-module adaptors. The one and two-sided poles can also take the one-module adaptor for c/c 60 mm wiring devices.

Application

The poles provide flexible solutions for offices, bringing power, telecom and data directly from the ceiling to the desk.

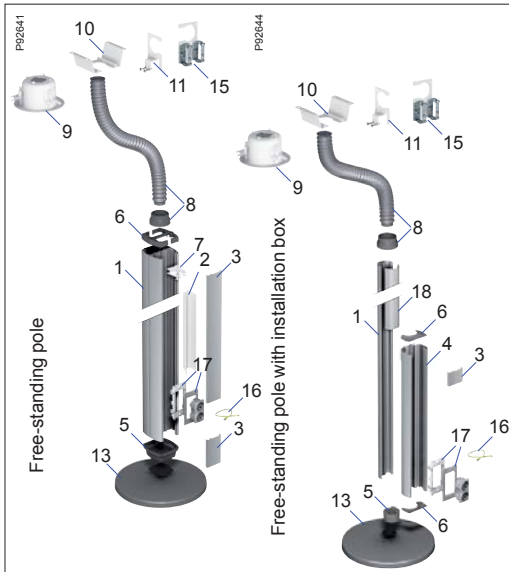
Benefits

- Stable and robust design.
- Softly rounded and slender form.
- Well-rounded stop ends protect cables from sharp edges.
- Cable partition profile for correct spacing between VDI and power cables.
- Free-standing poles have steady feet. The rectangular foot allows poles to be installed back-to-back or against a wall.
- Free-standing poles have a play radius of 1.5 m from the connection point in the ceiling.
- Slots on both sides of the pole allow easy mounting of accessories. Also for decorative stripes in three colours.
- Tool-less, fast and space-saving height adjustment for tension mounted poles.

Technical and Material data

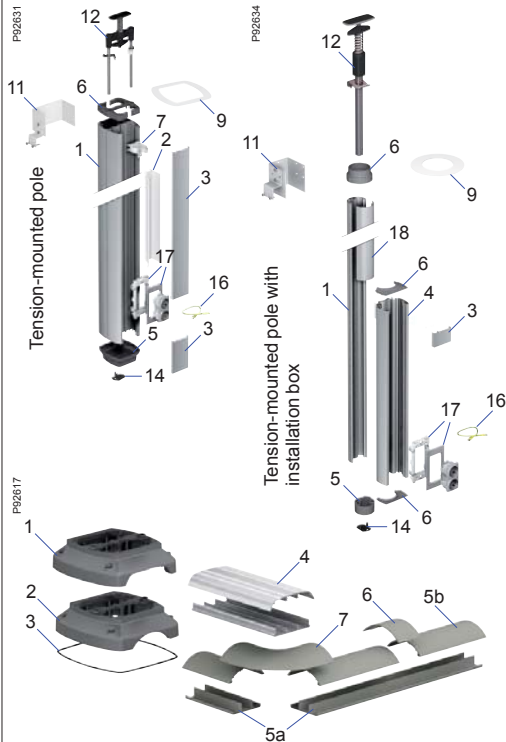
Aluminium, extruded	Specification	EN-AW-6063
	Density	2.7 g/cm ³
	Linear expansion	2.4x10 ⁻⁵ /°C
	Surface treatment	Natural anodizing
Aluminium, die cast	Density	2.7 g/cm ³
	Linear expansion	2.4x10 ⁻⁵ /°C
	Surface treatment	Powder coating
	Colours	• Grey RAL 9007 • White RAL 9010
Cast iron	Density	7.3 g/cm
	Linear expansion	1.2x10 ⁻⁵ /°C
	Surface treatment	Coated with clear varnish
Zinc	Density	7.1 g/cm ³
	Linear expansion	2.7x10 ⁻⁵ /°C
	Surface treatment	Untreated
PC/ABS	Density	1.14 g/cm ³
	Linear expansion	70x10 ⁻⁶ /°C
	Volume resistivity	>10 ¹³ Ω cm
	Water absorption	0.6%
	Dielectric strength	19 kV/mm
	Fire rating	UL 94 HB
	Colours	• White RAL 9010 • Aluminium metallic (painted) • White (unspecified)
PS (Polystyrene)	Density	1.04 g/cm ³
	Colour	White RAL 9010
	Other info	Halogen-free
ABS	Density	1.07 g/cm ³
	Linear expansion	100x10 ⁻⁶ /°C
	Volume resistivity	>10 ¹³ Ω cm
	Water absorption	0.3%
	Fire rating	UL 94 HB
	Colour	White (unspecified)
PBT with 30% glass-fibre	Density	1.52 g/cm ³
	Linear expansion	40-70x10 ⁻⁶ /°C
	Fire rating	UL 94 HB (1.5 mm)
	Colour	Light grey

Exploded views



Poles

- | | |
|----------------------------------|-------------------------------|
| 1. Base profile | 10. Ceiling fixing |
| 2. Partition profile | 11. Cable tray fixing |
| 3. Front cover | 12. Adjustable ceiling fixing |
| 4. Installation box | 13. Cast iron foot |
| 5. Floor fixing | 14. Floor fixing plate |
| 6. Stop end | 15. Busbar fixing |
| 7. Strain relief | 16. Earthing kit |
| 8. Flexible conduit with adaptor | 17. Adaptor with front plate |
| | 18. Cover |



Floor feeding system

- Floor fixing with slot for aluminium floor feeder
- Floor fixing with slot for PVC floor feeder
- Gasket ring
- Floor feeder, aluminium (base profile and cover)
- Floor feeder, PVC
 - Base profile
 - Cover
- Floor feeder jointing piece
- Corner feeder piece

Technical and Material data, cont.

PC+ASA	Density	1.15 g/cm ³
	Linear expansion	80x10 ⁻⁶ /°C
	Water absorption	0.6%
	Volume resistivity	>10 ¹³ Ω cm
	Dielectric strength	17 kV/mm
	Fire rating	UL 94 HB
Steel	Colours	• White RAL 9010 • Aluminium metallic (painted)
	Specification	SS 1142
PVC	Density	7.8 g/cm ³
	Linear expansion	1.2x10 ⁻⁵ /°C
	Surface treatment	Powder coating
	Colour	White RAL 9010
	Density	1.5 g/cm ³
Degree of protection	Specification	IP40
	Temperature range	Operating temperature from -25°C to +60°C
	Standards and certificates	The products comply with the standards: • SS 424 10 32 • IEC 1084-2-4
		The products satisfy the provisions for CE marking according to the Low Voltage Directive 73/23/EEC and 93/68/EEC

Mounting instructions

Mounting instructions are enclosed with the product. They are also available on PI@net.

Art.No. 0075313 / 20056727	Free-standing pole, one and two-sided
Art.No. 0075312 / 20056726	Tension-mounted pole, one and two-sided
Art.No. 0075315 / 20056729	Free-standing pole with installation box
Art.No. 0075314 / 20056728	Tension-mounted pole with installation box

Product Environmental Profile

Product Environmental Profile documents are available on PI@net.

Package info

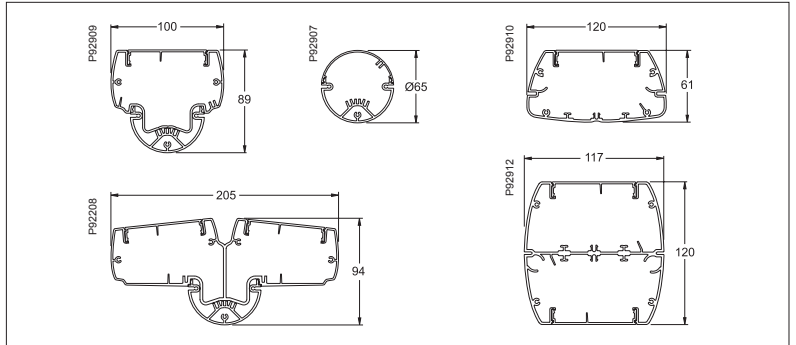
Package information is included in the Prodatt file, which is available on Yepnet. Package information can also be obtained from the responsible factory.

Cable capacity

Com-part-ment	Max. Ø mm	Cross section area mm ²	Cable capacity*) mm ²				
			40%	50%	60%		
One-sided pole							
1	21	1418	567	709	851		
2	26	905	362	452	543		
3	36	2207	883	1103	1324		
4	18	2917	1167	1458	1750		
Two-sided pole							
1	42	4980	1992	2490	2988		
2	23	1471	588	735	883		
3	26	900	360	450	540		
4	38	2253	901	1126	1352		
5	25	2998	1199	1488	1799		
Pole with one box							
1	49	4256	1702	2128	2553		
2	40	1825	730	912	1095		
3	22	2320	928	1160	1392		
Pole with two boxes							
1	37	4123	1649	2061	2474		
2	23	838	335	419	503		
3	20	804	322	402	482		
4	19	2215	886	1107	1329		

*) We recommend a 40% utilization of the cable capacity.

Design and dimensions

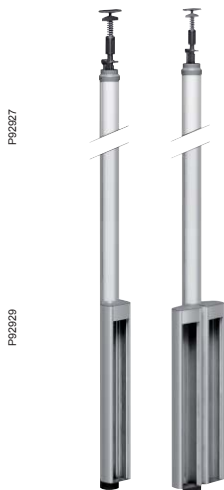
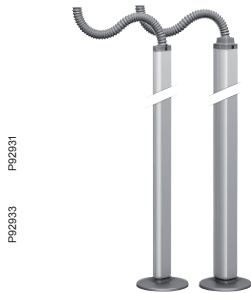


<p>Tension-mounted poles, one-sided and two-sided</p> <p>P94632</p>	<p>Free-standing poles, one-sided and two-sided</p> <p>P94631</p>	<p>Tension-mounted poles, one/two-sided</p>	
		<p>A Total height, mm</p>	<p>B Height without ceiling fixing, mm</p>
<p>Min. 3170 Max. 3570</p>		<p>3070</p>	
<p>Min. 4170 Max. 4570</p>		<p>4070</p>	
<p>Min. 5170 Max. 5570</p>		<p>5070</p>	
<p>Min. 6170 Max. 6570</p>		<p>6070</p>	
		<p>Free-standing poles, one/two-sided</p>	
<p>A Total height of pole, mm</p>	<p>C Length of flex. conduit, mm</p>		
One-sided	2385		2000
Two-sided	2420		2000

<p>Tension-mounted poles, one and two boxes</p> <p>P94630</p>	<p>Free-standing poles, one and two boxes</p> <p>P94629</p>	<p>Tension-mounted poles, one/two boxes</p>		
		<p>A Total height, mm</p>	<p>B Height without ceiling fixing, mm</p>	<p>D Height of box from floor, mm</p>
Min. 3000 Max. 3400	2820	650		
Min. 3400 Max. 3800	3220	650		
Min. 3800 Max. 4200	3620	650		
Min. 5100 Max. 5500	4920	650		
		<p>Free-standing poles, one/two boxes</p>		
<p>A Total height of pole, mm</p>	<p>C Length of flex. conduit, mm</p>	<p>D Height of box from floor, mm</p>		
2465	2000	680		

Service poles

Type	Colour	Dimensions A/B/C (mm)	Qty per package	EAN code	Internal ID-No.	Ref. No.
Pole, tension-mounted						
Empty service pole for tension mounting between floor and ceiling, one-sided or two-sided. Including front cover, ceiling fixing, ceiling frame, stop end, strain relief, floor fixing, floor fixing plate (zinc), earthing kit and mounting instruction. Adjustability of ceiling fixing 400 mm. Wiring devices can be placed along the whole pole length, using one, two or three-module adaptors for 45x45 wiring devices, two or three-module adaptors for modular devices or one-module adaptor for c/c 60 mm wiring devices. Unearthed. Supplied without wiring devices and cables. Material: Aluminium, natural anodized.						
One-sided, 3.17-3.57 m	Anodized	3170-3570/61/120	1	3606480029974	20055871	ISM20500
One-sided, 4.17-4.57 m	Anodized	4170-4570/61/120	1	3606480029981	20055872	ISM20501
One-sided, 5.17-5.57 m	Anodized	5170-5570/61/120	1	3606480029998	20055873	ISM20502
One-sided, 6.17-6.57 m	Anodized	6170-6570/61/120	1	3606480030000	20055874	ISM20503
Two-sided, 3.17-3.57 m	Anodized	3170-3570/120/118	1	3606480030017	20055877	ISM20505
Two-sided, 4.17-4.57 m	Anodized	4170-4570/120/118	1	3606480030024	20055875	ISM20506
Two-sided, 5.17-5.57 m	Anodized	5170-5570/120/118	1	3606480030031	20055878	ISM20507
Two-sided, 6.17-6.57 m	Anodized	6170-6570/120/118	1	3606480030048	20055876	ISM20508
Pole, free-standing						
Empty, free-standing and movable service pole, one-sided or two-sided. Including front cover, flexible conduit with adaptor, strain relief, earthing kit and mounting instruction. Length of flexible conduit 2.0 m, play radius 1.5 m from the connection point in the ceiling. Wiring devices can be placed along the whole pole length, using one, two or three-module adaptors for 45x45 wiring devices, two or three-module adaptors for modular devices or one-module adaptor for c/c 60 mm wiring devices. Unearthed. Supplied without wiring devices and cables. Foot to be ordered separately. Material: Aluminium, natural anodized.						
One-sided	Anodized	2385+2000/61/120	1	3606480030130	20055880	ISM20520
Two-sided	Anodized	2420+2000/120/118	1	3606480030147	20055879	ISM20521
Pole with installation box, tension-mounted						
Empty service pole for tension mounting between floor and ceiling, provided with one or two installation boxes for wiring devices. Including ceiling fixing, ceiling frame, stop end, floor fixing, floor fixing plate (zinc), earthing kit and mounting instruction. Adjustability of ceiling fixing 400 mm. Wiring devices are placed in the installation boxes, with an accessible front opening of 560 mm (= 4 x two-module adaptors for 45x45 wiring devices and modular devices). Unearthed. Supplied without wiring devices and cables. Material: Aluminium, natural anodized.						
With one box, 3.0-3.4 m	Anodized	3000-3400/90/100	1	3606480030055	20055887	ISM20510
With one box, 3.4-3.8 m	Anodized	3400-3800/90/100	1	3606480030062	20055881	ISM20511
With one box, 3.8-4.2 m	Anodized	3800-4200/90/100	1	3606480030079	20055886	ISM20512
With one box, 5.1-5.5 m	Anodized	5100-5500/90/100	1	3606480030086	20055885	ISM20513
With two boxes, 3.0-3.4 m	Anodized	3000-3400/94/206	1	3606480030093	20055884	ISM20515
With two boxes, 3.4-3.8 m	Anodized	3400-3800/94/206	1	3606480030109	20055883	ISM20516
With two boxes, 3.8-4.2 m	Anodized	3800-4200/94/206	1	3606480030116	20055882	ISM20517
With two boxes, 5.1-5.5 m	Anodized	5100-5500/94/206	1	3606480030123	20055888	ISM20518



Service poles



P92835

P92837

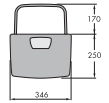
Type	Colour	Dimensions A/B/C (mm)	Qty per package	EAN code	Internal ID-No.	Ref. No.
Pole with installation box, free-standing						
Empty, free-standing and movable service pole, provided with one or two installation boxes for wiring devices. Including flexible conduit with adaptor, earthing kit and mounting instruction. Length of flexible conduit 2.0 m, play radius 1.5 m from the connection point in the ceiling. Wiring devices are placed in the installation boxes, with an accessible front opening of 560 mm (= 4 x two-module adaptors for 45x45 wiring devices and modular devices). Unearthed. Supplied without wiring devices and cables. Foot to be ordered separately. Material: Aluminium, natural anodized.						
With one box	Anodized	2465+2000/90/100	1	3606480030154	20055889	ISM20525
With two boxes	Anodized	2465+2000/94/206	1	3606480030161	20055890	ISM20526
Pole, customer adapted						
Service pole according to special customer order. The pole is available one- or two-sided or with one or two installation boxes, for tension mounting or free-standing, see above. It can be specified in optional length and colour. Implies a detailed specification. Material: Aluminium.						
Acc. to customer spec.	Optional	Optional/—*/—*	—	—	20059795	ISMSPPL
*Various measurements, see above						

Accessories for service poles



P86528

Foot for free-standing poles						
Rectangular foot for free-standing, movable poles, to be fixed to the bottom plate of the pole by means of two M6 bolts (included). The foot is provided with a steel clamp that can be unfolded for extra support. When not in use, the clamp lies protected in a recess underneath the foot. Specially suited in applications close to the wall or when two poles are positioned back to back. Material: Cast iron, painted.						
Foot, rectangular	Grey	33/250/346	1	3606480030598	20052226	ISM20809



P86529

Round foot for free-standing, movable poles, to be fixed to the bottom plate of the pole by means of two M6 bolts (included). Suitable both for one and two-sided poles. Material: Cast iron, painted.						
Foot, round	Grey	29/Ø317	1	3606480030581	20052227	ISM20808



P92183



P92182



P92618



P92616

Floor fixing for tension-mounted poles, with slot for floor feeder						
Floor fixing for tension-mounted poles, one or two-sided. Fixed to the floor by screws. With slot for connection of floor feeder 18x75 or 18x91 mm. Gasket ring included. Material: Aluminium, powder coated.						
For one-sided pole and 18x91 mm aluminium floor feeder	Grey RAL 9007	45/100/153	1	3606480030352	20056002	ISM20650
For two-sided pole and 18x91 mm aluminium floor feeder	Grey RAL 9007	45/164/154	1	3606480030369	20056003	ISM20651
For one-sided pole and 18x75 mm PVC floor feeder	Grey RAL 9007	45/100/153	1	3606480030376	20056004	ISM20652
For two-sided pole and 18x75 mm PVC floor feeder	Grey RAL 9007	45/164/154	1	3606480030383	20056005	ISM20653



P92179






P92178




P92648

Ceiling frame						
Ceiling frame for one-sided or two-sided poles or for Ø65 mm profile. Covers the edge of the hole in a false ceiling. Self-sticking. Material: PS (polystyrene).						
Ceiling frame for 1-sided pole	White RAL 9010	1/111/170	1	3606480030178	20055996	ISM20550
Ceiling frame for 2-sided pole	White RAL 9010	1/170/167	1	3606480030185	20055997	ISM20551
Ceiling frame for Ø65 mm pole	White RAL 9010	1/Ø115	1	3606480030192	20055998	ISM20552

Accessories for service poles

Type	Colour	Dimensions A/B/C (mm)	Qty per package	EAN code	Internal ID-No.	Ref. No.
Ceiling frame						
Ceiling frame intended to lead flexible conduit through false ceiling. To be mounted in circular hole, Ø125 mm, by using three included clamps. Also including a slotted plastic plate to be used to lock the flexible conduit, which is fixed by cable ties. The plate can also be used as a drill template for entrance hole Ø125 mm. Material: PC/ABS.						
 P86527	White RAL 9010	89/Ø161	1	3606480030628	20052204	ISM20812
Ceiling fixing						
Ceiling fixing intended to connect flexible conduit to ceiling or wall. Fixings not included. Material: Aluminium, powder coated.						
 P86526	White RAL 9010	50/156/90	1	3606480030666	20052201	ISM20816
Cable tray fixing						
Cable tray fixing including fixing material, intended to connect one and two-sided service poles to cable tray or cable ladder. Allows a flexible connection of the pole in various directions. Material: Steel, powder coated.						
 P82177	White RAL 9010	75/72/126	1	3606480030208	20055999	ISM20553
Cable tray fixing including fixing material, intended to connect a Ø65 mm service pole to cable tray or cable ladder. Allows a flexible connection of the pole in various directions. Material: Steel, powder coated.						
 P92807	White RAL 9010	75/Ø72	1	3606480030215	20056000	ISM20554
Cable tray fixing including fixing material, intended to connect flexible conduit to cable tray. Material: Steel, powder coated.						
 P86524	White RAL 9010	100/15/70	1	3606480030635	20052197	ISM20813
Busbar fixing						
Busbar fixing for Ø55 mm conduits, intended to connect flexible conduit to busbar trunking. Material: Steel, powder coated.						
 P84503	White RAL 9010	105/90/70	1	3606480030659	20052195	ISM20815
Front cover						
Front cover to be snapped into 70 mm front openings. With earthing slots. Supplied with protective foil, in lengths of 2 m. Material: Aluminium, natural anodized.						
 P92658	Anodized	2000/13/71	24 m	3606480029295	20055945	ISM11950
Partition profile						
Partition profile of halogen-free material with two partition walls. Mounted in internal fixing rails of one and two-sided poles, for the separation of power and low voltage cables. Material: ABS.						
 P92211	White	500/49/50	10	3606480030222	20056001	ISM20555
Modular device adaptor, two-module, Unica						
Adaptor, two-module, for modular devices like for instance miniature circuit breakers. With transparent grey cover. Material: PC/ABS (front plate), PBT (adaptor), PC+ASA (DIN-module), metal rail.						
 P92613	White RAL 9010	73/80/140	1	3606480029318	20056076	ISM15000
 P92612	Alu metallic	73/80/140	1	3606480029370	20055969	ISM15006
Modular device adaptor, three-module, Alira						
Adaptor, three-module, for modular devices like for instance miniature circuit breakers. With transparent grey cover. Material: PC/ABS.						
 P91617	White RAL 9010	73/94/185	1	3606480029325	20053643	ISM15001
 P92180	Alu metallic	73/94/185	1	3606480029363	20056078	ISM15005

Accessories for service poles

Type	Colour	Dimensions A/B/C (mm)	Qty per package	EAN code	Internal ID-No.	Ref. No.
Adaptor for 45x45 module wiring devices, Unica						
Adaptor including front plate. Suitable for 45x45 module wiring devices, type Unica. Terminal blocks and earth terminals can be snap-fitted in the two-module and three-module sizes. To be combined with installation box in applications requiring strain relief of cables or extra insulation. To avoid gaps between wiring devices the adaptors can be snapped into one another. Material: PC/ABS (front plate), PBT (adaptor).						
P92112 	For one 45x45 module wiring device	White RAL 9010	73/28/71	1	3606480029509	20055946 ISM15200
P92195 	For one 45x45 module wiring device	Alu metallic	73/28/71	1	3606480029530	20055949 ISM15205
P92197 	For two 45x45 module wiring devices	White RAL 9010	73/28/140	1	3606480029515	20055947 ISM15201
P92194 	For two 45x45 module wiring devices	Alu metallic	73/28/140	1	3606480029547	20055950 ISM15206
P92198 	For three 45x45 module wiring devices	White RAL 9010	73/28/185	1	3606480029523	20055948 ISM15202
P92196 	For three 45x45 module wiring devices	Alu metallic	73/28/185	1	3606480029554	20055951 ISM15207
Adaptor for 45x45 module wiring devices, Altira						
Adaptor including front plate. Suitable for 45x45 module wiring devices, type Altira and similar. Terminal blocks and earth terminals can be snap-fitted in the two-module and three-module sizes. To be combined with installation box in applications requiring strain relief of cables or extra insulation. Altira front plate for wall applications can be snap-fitted in the adaptor. To avoid gaps between wiring devices the adaptors can be snapped into one another. Material: PC/ABS.						
P91590 	For one 45x45 module wiring device	White RAL 9010	73/35/71	1	3606480029417	20053646 ISM15100
P91591 	For two 45x45 module wiring devices	White RAL 9010	73/35/140	1	3606480029424	20053647 ISM15101
P91592 	For three 45x45 module wiring devices	White RAL 9010	73/35/185	1	3606480029431	20053648 ISM15102
Adaptor for c/c 60 wiring devices						
Adaptor including two screws. Suitable for one c/c 60 mm wiring device. With screw options in four different directions, securing the correct orientation in both vertical and horizontal mounting. To be combined with installation box in applications requiring strain relief of cables or extra insulation. In order to avoid gaps between wiring devices and to secure c/c 71 mm between the outlets, thus allowing front plates from wall applications to be used, the adaptors can be snapped into one another. Only to be used in one and two-sided poles (without installation boxes). Material: PC/ABS.						
P91589 	Adaptor, c/c 60	White	71/24/71	1	3606480029349	20053644 ISM15003
Installation box for adaptors						
Installation box to be snap-mounted to an adaptor. The box has a built-in screwless strain relief and an interface that allows snap-fitting of terminal blocks and earth terminals, as well as cable-tie strain relieving. Slots in the box allow pre-wired wiring devices to slide in. Material: PC/ABS.						
P91593 	Box for one-module Altira/Unica adaptor or c/c 60 mm wiring device adaptor	White	71/42/71	1	3606480029387	20053645 ISM15010
P91594 	Box for two-module Altira/Unica adaptor	White	71/42/140	1	3606480029394	20053680 ISM15011
P91595 	Box for three-module Altira/Unica adaptor	White	71/42/185	1	3606480029400	20053681 ISM15012

Accessories for service poles

Type	Colour	Dimensions A/B/C (mm)	Qty per package	EAN code	Internal ID-No.	Ref. No.
Decorative stripe						
Decorative stripe to be fitted in the slots along the sides of one and two-sided poles and posts. Supplied in lengths of 5 m. Material: Silicone rubber.						
Decorative stripe	Grey	5000/Ø3.5	5 m	3606480030727	20052206	ISM20822
Decorative stripe	White RAL 9010	5000/Ø3.5	5 m	3606480030734	20052207	ISM20823
Decorative stripe	Orange	5000/Ø3.5	5 m	3606480030741	20052209	ISM20824
Earthing clamp						
Earthing clamp to be used for bonding of front cover, base profile and accessories to earth. Material: Steel.						
Earthing clamp	—	9/9/9	20	3606480028502	20051681	ISM10952
Earthing kit						
Kit including earth wire with flat pin connectors and earthing clamps. To be used to connect the front cover to the base profile.						
Earthing kit	Yellow/green	L = 200 L = 300	10 10	3606480028519 3606480028526	20052945 20052946	ISM10953 ISM10954

Floor feeder and accessories

Floor feeder, aluminium						
Floor feeder made up by a three compartment base profile and cover, supplied in lengths of 2.5 m. The base profile has punched holes to simplify mounting. Provided with screw slots for earth connection. Can be used as a separate item or in combination with a service pole with slotted floor fixing for aluminium floor feeder. Meets load requirements according to VDE 0634 (750 N/50 mm ²). Material: Aluminium, natural anodized.						
Floor feeder	Anodized	18/91/2500	1	3606480030390	20056006	ISM20660
Floor feeder, PVC						
Floor feeder made up by a base part with three compartments and a cover. Supplied in lengths of 2 m. To be used for feeding along the floor to a service pole provided with a slotted floor fixing for 18x75 mm floor feeder. Material: PVC.						
Floor feeder	Grey RAL 7030	18/75/2000	28 m	3606480030673	20052225	ISM20817
Floor feeder made up by a base part with three compartments and a cover. Supplied in lengths of 2 m. To be used for feeding along the floor to a service pole provided with a slotted floor fixing for 18x75 mm floor feeder. Material: Aluminium, natural anodized.						
Floor feeder	Anodized	18/75/2000	8 m	3606480027536	20058649	ISM20857
Floor feeder jointing piece						
Floor feeder jointing piece to cover joints between PVC floor feeder sections. Material: PVC.						
Jointing piece	Grey RAL 7030	20/50/78	10	3606480030680	20052224	ISM20818
Corner feeder piece						
Corner feeder piece to be used in 90 degree corners between PVC floor feeder sections. Material: PVC.						
Corner feeder piece	Grey RAL 7030	20/120/120	10	3606480030697	20052205	ISM20819