

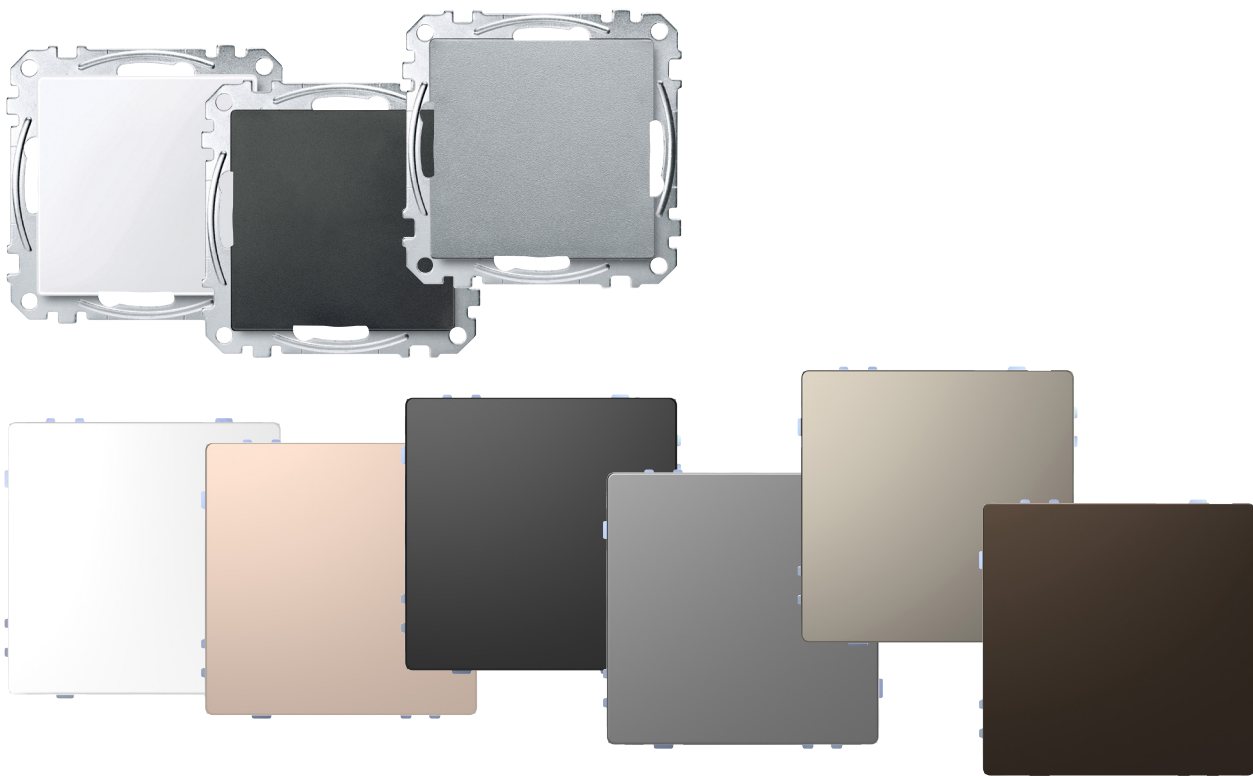
KNX Push-Button Pro T

Product information

This document follows on from the installation instruction and provides further product information. You will find information about e.g. the functions or the different operating states, etc.

MTN6185-03xx | MTN6185-04xx | MTN6185-60xx

03/2021



Legal information

The Schneider Electric brand and any trademarks of Schneider Electric SE and its subsidiaries referred to in this guide are the property of Schneider Electric SE or its subsidiaries. All other brands may be trademarks of their respective owners.

This guide and its content are protected under applicable copyright laws and furnished for informational use only. No part of this guide may be reproduced or transmitted in any form or by any means (electronic, mechanical, photocopying, recording, or otherwise), for any purpose, without the prior written permission of Schneider Electric.

Schneider Electric does not grant any right or license for commercial use of the guide or its content, except for a non-exclusive and personal license to consult it on an “as is” basis. Schneider Electric products and equipment should be installed, operated, serviced, and maintained only by qualified personnel.

As standards, specifications, and designs change from time to time, information contained in this guide may be subject to change without notice.

To the extent permitted by applicable law, no responsibility or liability is assumed by Schneider Electric and its subsidiaries for any errors or omissions in the informational content of this material or consequences arising out of or resulting from the use of the information contained herein.

Safety information

Read these instructions carefully and look at the equipment to become familiar with the device before trying to install, operate, service, or maintain it. The following special messages may appear throughout this manual or on the equipment to warn of potential hazards or to call attention to information that clarifies or simplifies a procedure.



The addition of either symbol to a “Danger” or “Warning” safety label indicates that an electrical hazard exists which will result in personal injury if the instructions are not followed.



This is the safety alert symbol. It is used to alert you to potential personal injury hazards. Obey all safety messages that accompany this symbol to avoid possible injury or death.



DANGER

DANGER indicates a hazardous situation which, if not avoided, will result in death or serious injury.



WARNING

WARNING indicates a hazardous situation which, if not avoided, could result in death or serious injury.



CAUTION

CAUTION indicates a hazardous situation which, if not avoided, could result in minor or moderate injury.

NOTICE

NOTICE is used to address practices not related to physical injury.

Additional notes



The specified information must be followed, otherwise a program or data error may occur.



You will find additional information here to make your work easier.

Table of Contents

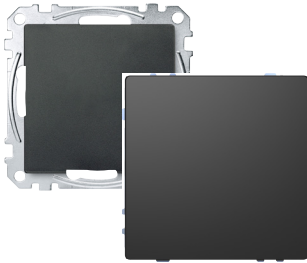
- 1 Getting to know KNX Push-button Pro T 5**
 - Manual operation 5
 - Touchless operation 5
 - Labelling 5
 - Necessary accessories 5
 - Accessories 6
 - Scope of delivery 6
 - 1.1 ETS device functions 7
 - Position of the active areas 7
 - Touchless operation 7
 - Status indicators in normal operation 7
 - Night mode and orientation light 7
 - Appearance of the push-button 8
 - Temperature sensor 8
- 2 Connections, displays and operating elements 9**
 - Front side 9
 - Rear side 9
- 3 Replacing symbols 10**
 - Inserting the prefabricated foil 11
 - Inserting the individual symbols 12
- 4 Operating the push-button 14**

About this document

This document follows on from the installation instruction and provides further product information. You will find information about e.g. the hardware functions, how to change the button symbols, or the different operating states, etc.

Furthermore, you will find a preview of the software functions in the chapter ETS device functions. A detailed description of the software functions and the possibilities, are specified in the ETS application description.

1 Getting to know KNX Push-button Pro T



KNX Push-button Pro T (henceforth referred to as the **push-button**) is a push-button with integrated temperature sensor.

The push-button allows two different operation methods: the normal manual operation via keystroke or alternatively the touchless operation, triggered by proximity. Both operation methods cannot be performed simultaneously on the same push-button.

Manual operation

With this conventional operation you can activate a maximum of four button surfaces to which you can assign the desired room functions, e.g. switching or dimming light, controlling blinds or calling up scenes. If required, you can disable the button surfaces and also define the type of disabling.

Touchless operation

The touchless operation is on the one hand comfortable, but especially for hygienic areas a reliable aid to avoid contact with operating surfaces. Via the touchless operation you can trigger one function, such as toggling, switching on, switching off or calling up a scene. As soon as the sensor detects proximity (e.g. a hand in approx. 5 cm in front of the surface), the programmed action is triggered.

Labelling

The labelling of the buttons is accomplished using backlit symbols which display the room functions. For this, you can either use the enclosed prefabricated foils or the individual symbols with various motifs. You can replace the symbols at any time in accordance with changing functions.

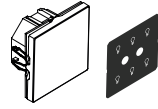
Necessary accessories

System M	MTN6185-03xx MTN6185-04xx	Complete the KNX Push-button Pro T with a System M frame
System Design	MTN6185-60xx	Complete the KNX Push-button Pro T with a System Design frame

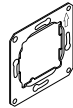
Accessories

System M	MTN6185-03xx MTN6185-04xx	Dismantling protection MTN6270-0000, Foil set for KNX Push-button Pro MTN6270-0010
System Design	MTN6185-60xx	Dismantling protection MTN6270-0000, Foil set for KNX Push-button Pro MTN6270-0011

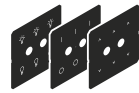
Scope of delivery



KNX Push-button Pro T with bus connecting terminal and prefabricated foil in place



Retaining ring



3 prefabricated foils

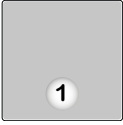

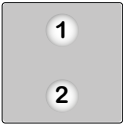
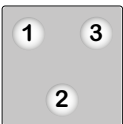
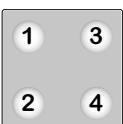


24 individual symbols with 1 carrier foil

1.1 ETS device functions

Position of the active areas

The push-button has six areas that are activated differently depending on the operating method and the number of buttons you select.

	Manual operation	Touchless operation	
	1 button	1 function can be activated	 You can activate either the manual or the touchless operation. Both operation methods cannot be performed simultaneously on the same push-button. Once the touchless operation is activated, all areas of manual operation are deactivated.
	2 buttons	—	
	3 buttons	—	
	4 buttons	—	

Touchless operation

The touchless operation allows you to activate 1 function (e.g. toggling, switching on, switching off or calling up a scene) without coming into contact with the push-button surface. If the touchless operation has been activated, the push-button cannot be operated as a conventional push-button via keypress.

As soon as a hand is within approx. 5 cm in front of the surface, the sensor can detect proximity and trigger the configured function.

As the color of the push-button affects the range of proximity, you can adjust the sensitivity. The values to be selected depending on the color are listed in the ETS.

Status indicators in normal operation

Each button has a status indicator. In the ETS, you can set the behavior, the brightness and the color assignment (white or green) of the status indicators.

The brightnesses of the status indicators can be set individually for both normal operation and night mode.

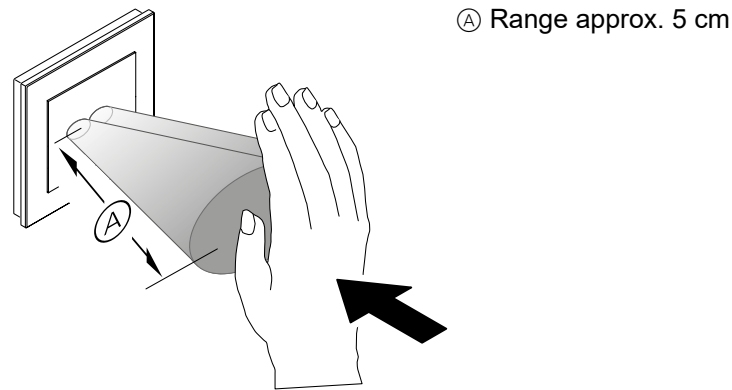
Night mode and orientation light

In order to ensure that the light of the status indicators do not disturb, e.g. in the bedroom, the status indicators are illuminated with reduced brightness (presetting). You can adjust this brightness and select between different behaviors:

- If no proximity is detected, one of the status indicators is switched on and thus acts as an orientation light. As soon as the push-button detects proximity, all status indicators light up and respond as in normal operation.
- All status indicators are illuminated and respond the same as in normal operation. In the default setting, the brightness of the LEDs is reduced.

Appearance of the push-button

In idle state and when the proximity function is activated, the surface of the push-button appears as a uniform plane; the status indicators are switched off (-> ETS). As soon as you are within approx. 5 cm of the device, the status indicators will be activated and the individual active areas with the corresponding functions will be visible. As soon as no approach is detected, the button returns to the idle state after a preprogrammed time.



Detection of proximity is optimum when the hand is moved frontally towards the device. The range A may vary somewhat due to local circumstances (e.g. ambient brightness) and the colour of the product.

Temperature sensor

The push-button has an integrated temperature sensor for measuring the room temperature. The temperature value can be sent on the bus:

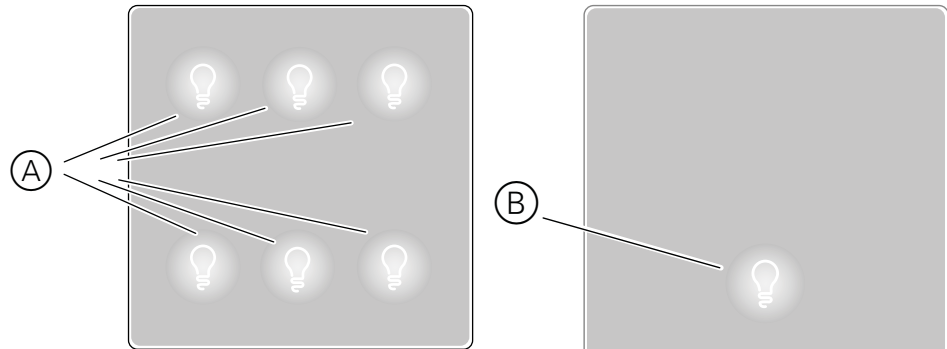
- When a certain temperature difference to the last transmitted temperature has been reached.
- At a certain interval (e.g. to visualisation software)

Temperature correction

You can set a correction value for the temperature sensor. This is useful, for example, if the push-button is mounted at an unfavourable position in the room. The temperature measurement is different when exposed to a draught or close to heat sources than at other places in the room.

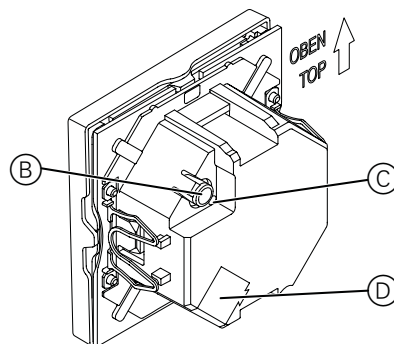
2 Connections, displays and operating elements

Front side



- Ⓐ Position of the possible push-buttons. A maximum of 4 buttons can be enabled for manual operation and assigned functions. With status indicators and the factory-installed foil.
- Ⓑ Touchless operation has been activated: Position of the touch surface and status indicator. With factory-installed foil.

Rear side



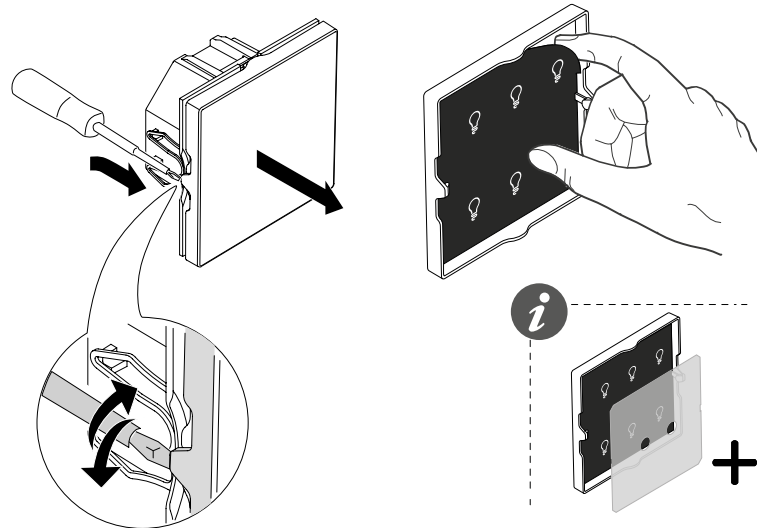
- Ⓑ Programming button
- Ⓒ Programming LED
- Ⓓ Bus connection with bus connecting terminal

3 Replacing symbols

A prefabricated foil containing symbols is placed in the push-button at the factory which can be replaced with other symbols at any time. There are two ways of doing this:

- You can use the accompanying prefabricated foils.
- You can use the accompanying individual symbols with carrier foil to display your room functions individually.

As preparation, remove the cover and the factory-installed prefabricated foil.

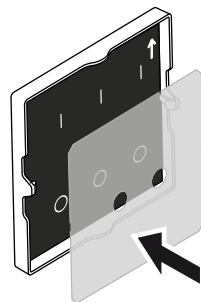
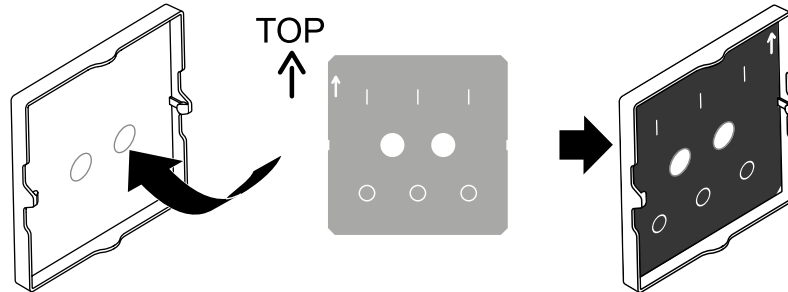


A second, translucent dissipative foil is enclosed, depending on the product colour. Place this dissipative foil between the symbol foil and the status displays.

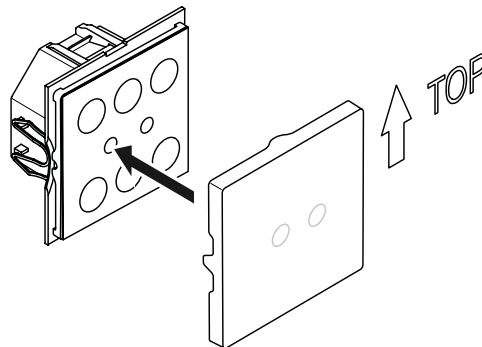
Inserting the prefabricated foil

Each prefabricated foil has different symbols. If a prefabricated foil matches your room functions, then simply place it in the push-button.

All foils are to be placed with the lighter side facing the cover.



If a second, translucent dissipative foil is enclosed: Place this foil between the prefabricated foil and the status displays.



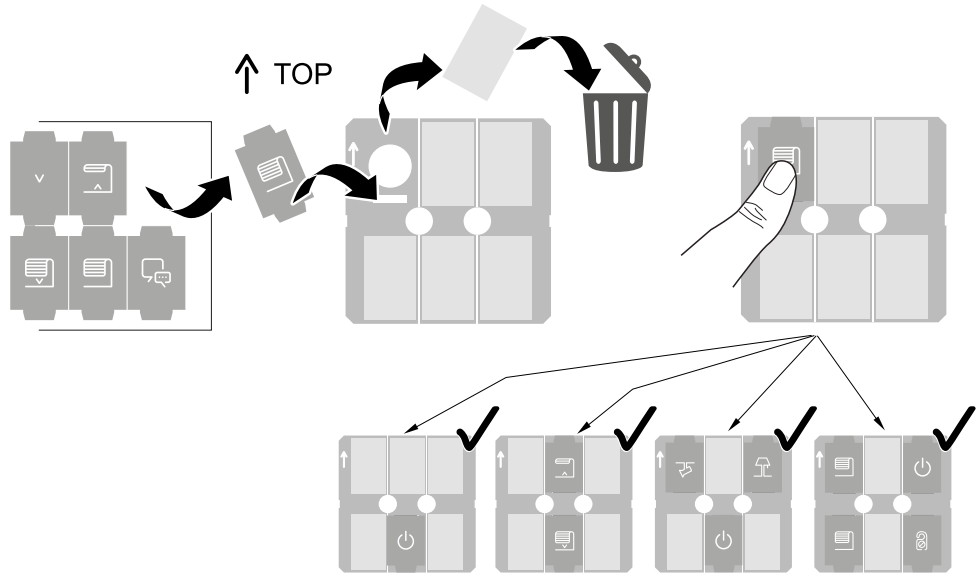
Inserting the individual symbols

The individual symbols enable you to display your room functions individually. For this, you require the carrier foil which is equipped with 6 protection foils (mildly adhesive).

- Remove exactly those protection foils that you want to replace with individual symbols.
- Insert the individual symbols, align them straight and press them onto the carrier foil.

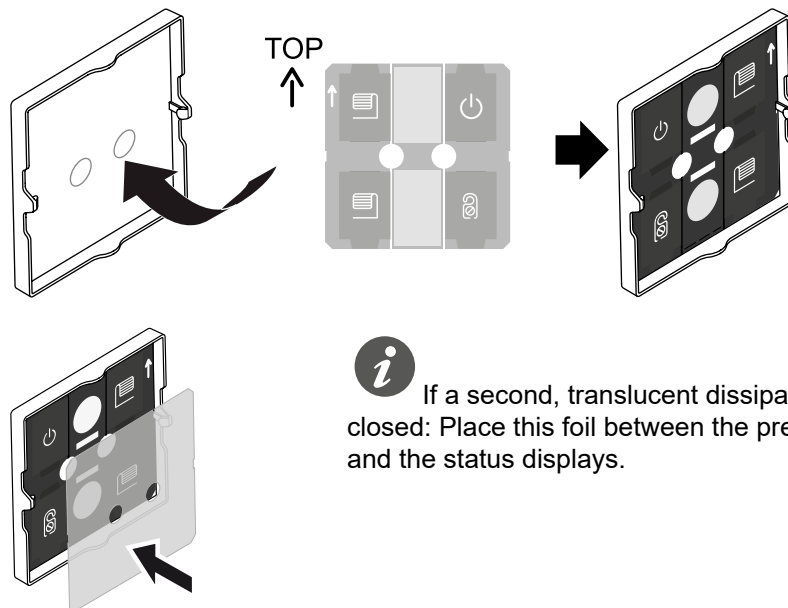
A single-sided adhesive fastens the individual symbols to the carrier foil.

All foils are to be placed with the lighter side facing the cover.

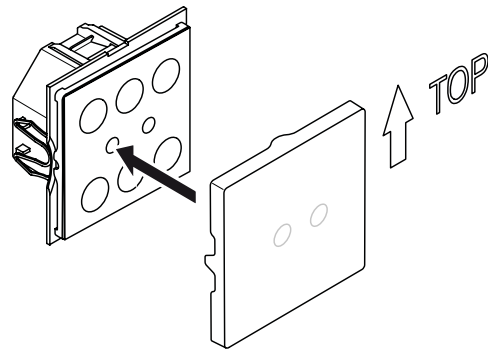


i If the symbol is not entirely straight: Detach the symbol and then stick it on again. The procedure can be run through repeatedly.

i Take care while doing so to place the symbols on the activated buttons.



i If a second, translucent dissipative foil is enclosed: Place this foil between the prefabricated foil and the status displays.



The symbol “O” shall only be used for switches (relays) of normal gap construction.



4 Operating the push-button

- ① Press the programming button.
The programming-LED lights up.
- ② Load the physical address and application into the device from the ETS.
The programming LED goes out.

The device goes into configuration mode for a few seconds. During this time, one LED flashes.



In configuration mode, the proximity sensor is adapted to local circumstances. In order to ensure optimum results, the device is not permitted to register any movements at this time. Otherwise, the configuration will continue to start up repeatedly or the result will be incorrect.

Schneider Electric Industries SAS

If you have technical questions, please contact the
Customer Care Centre in your country.

se.com/contact

© 2021 Schneider Electric; All rights reserved