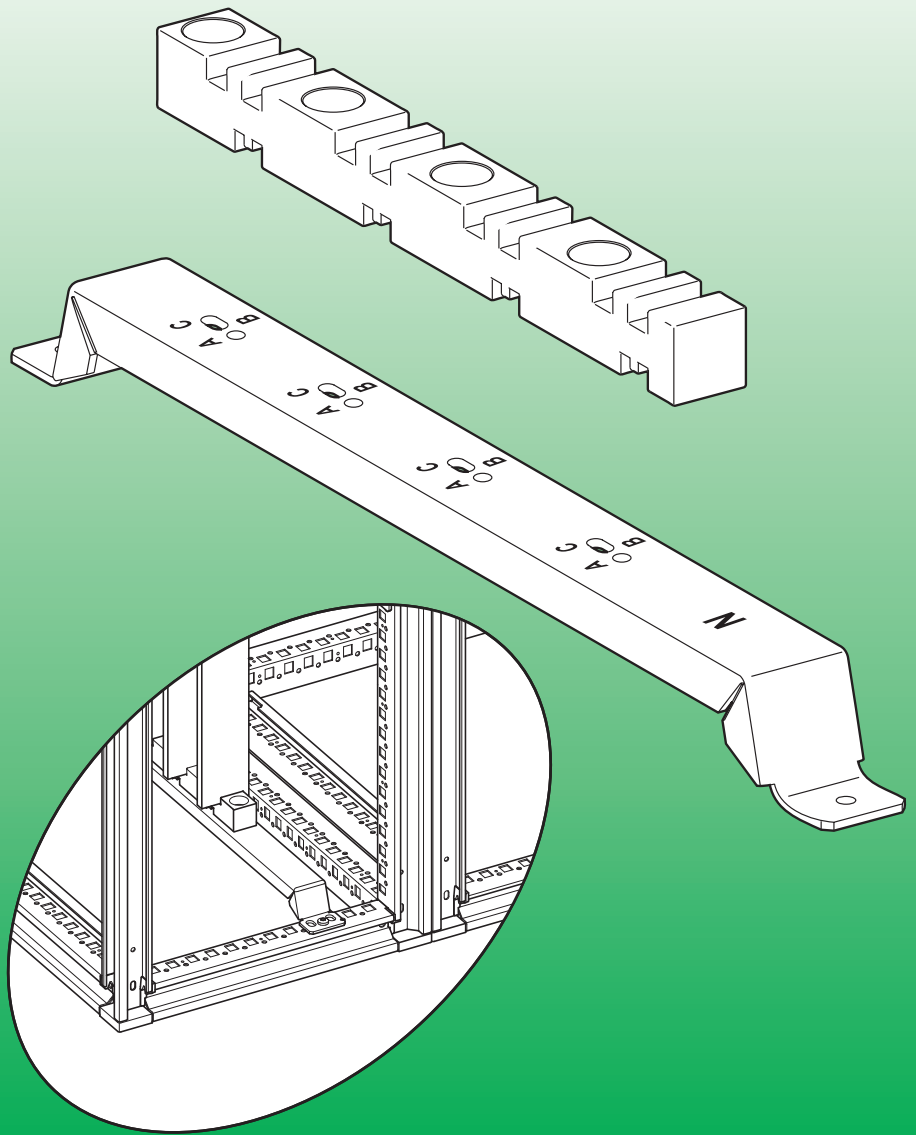
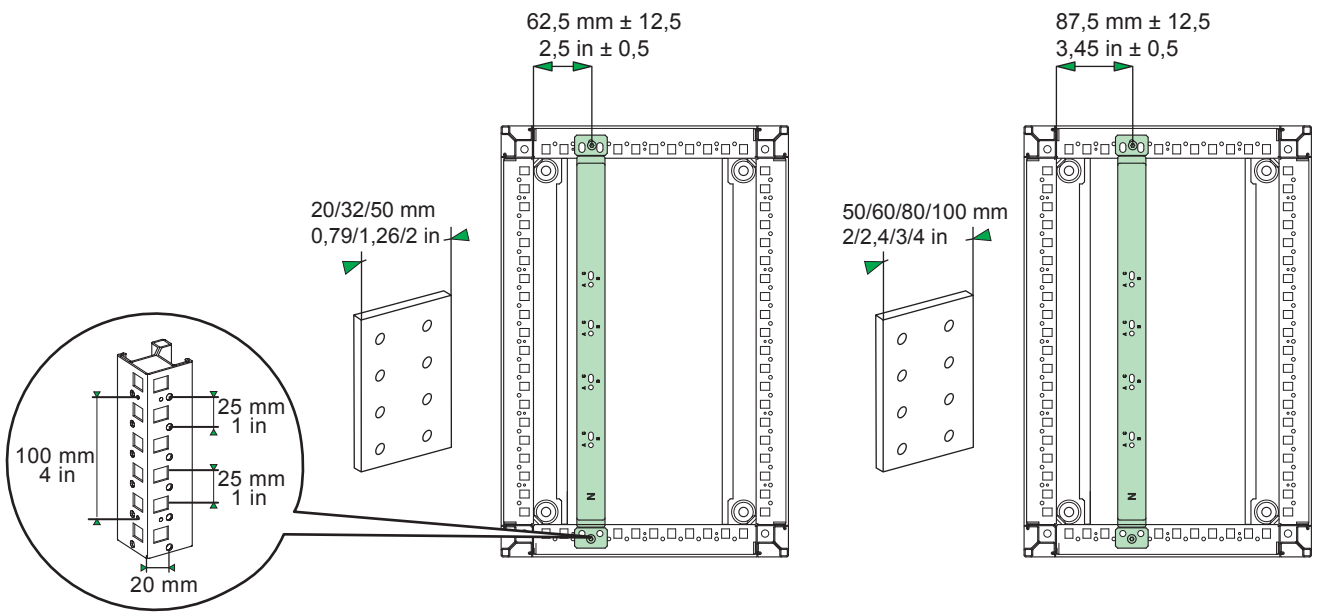


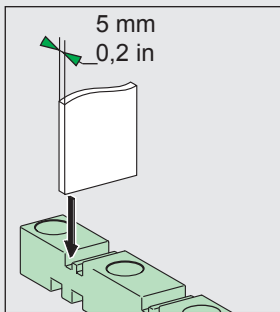
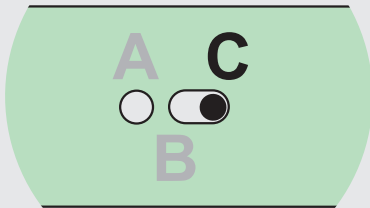
Setting Support
 Support de Calage
 Soporte de Calado



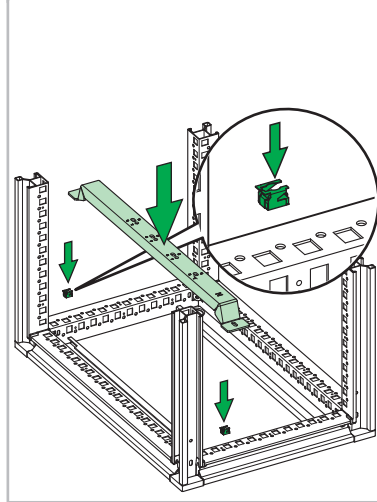
	type 1 Ø M6 3 Nm 26,55 lb-in		type 2 Ø M6 3 Nm 26,55 lb-in		type 3 diam. 6		type 4 M6 3 Nm 26,55 lb-in		type 5 M6 3 Nm 26,55 lb-in
--	--	--	--	--	--------------------------	--	--	--	--



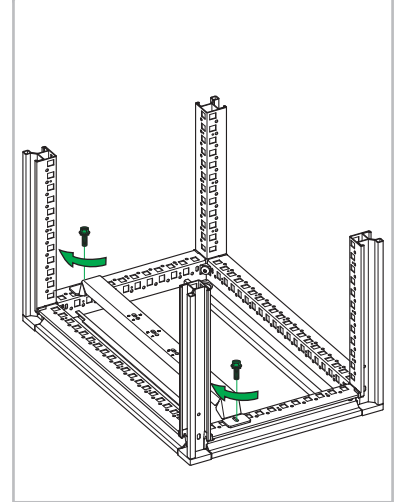
A



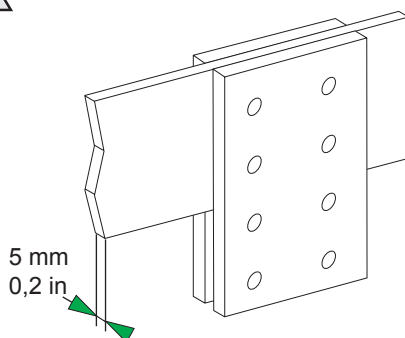
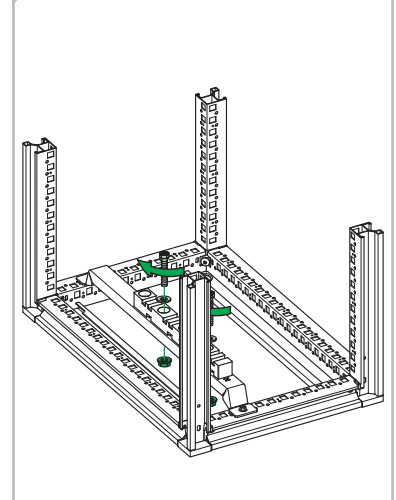
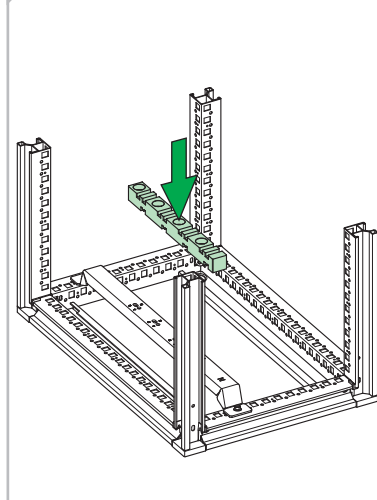
1 type 5



2 type 1

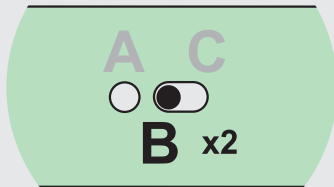


3 type 2 / type 3 / type 4

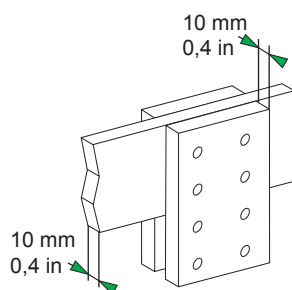
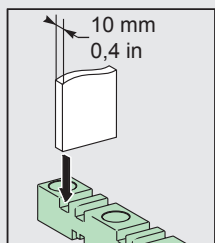


A'

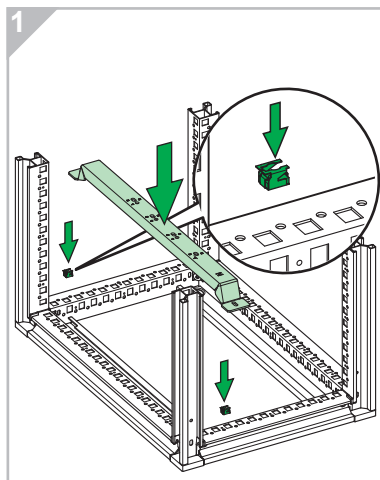
i₁



i₂

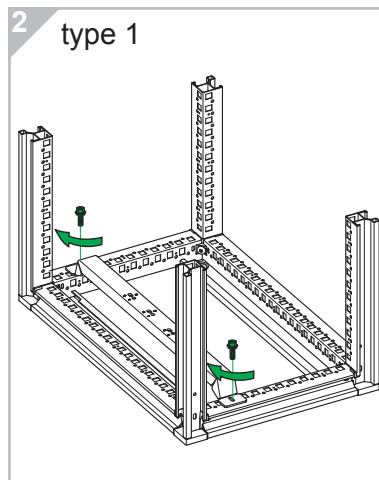


1

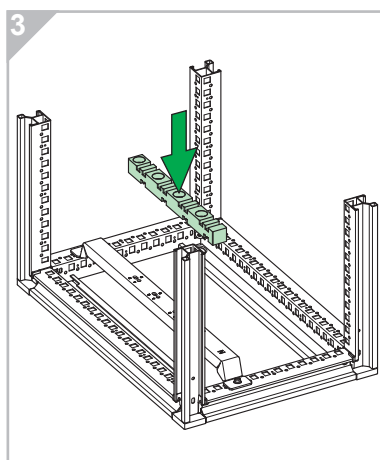


2

type 1

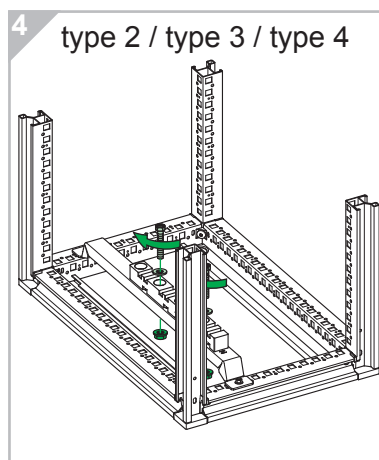


3



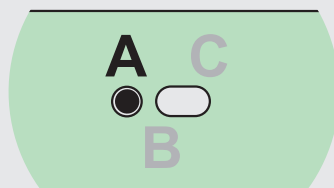
4

type 2 / type 3 / type 4

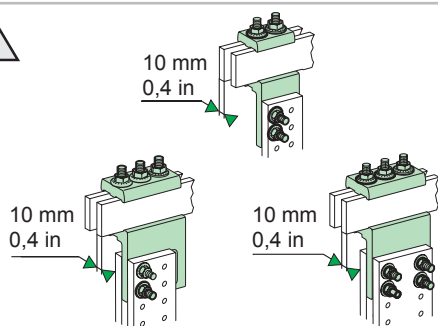
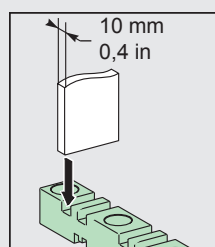


A''

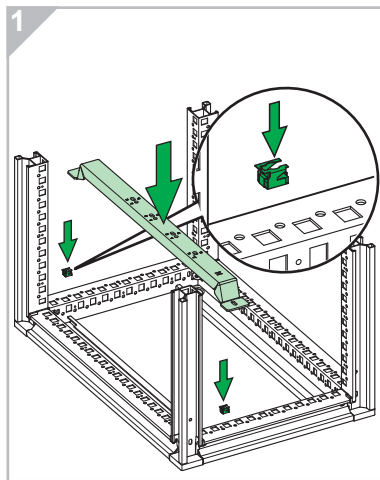
i₁



i₂

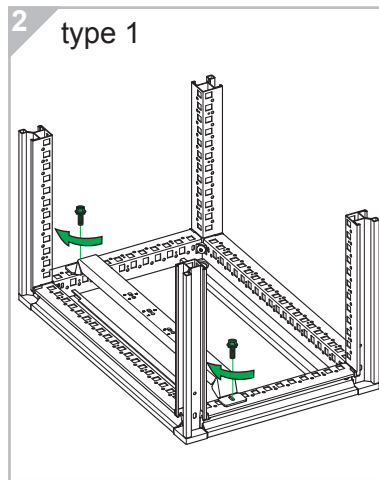


1

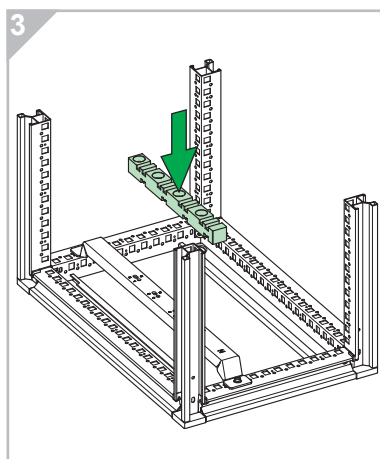


2

type 1



3



4

type 2 / type 3 / type 4

