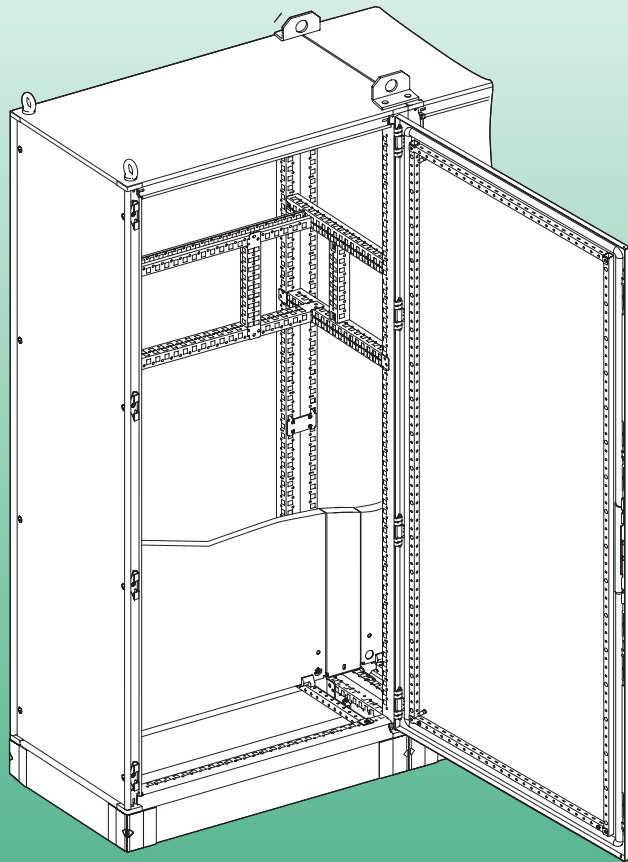
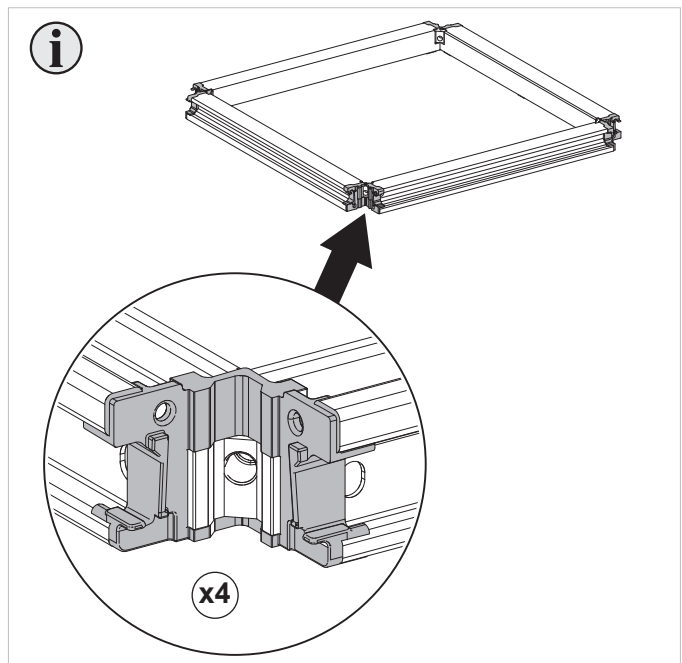
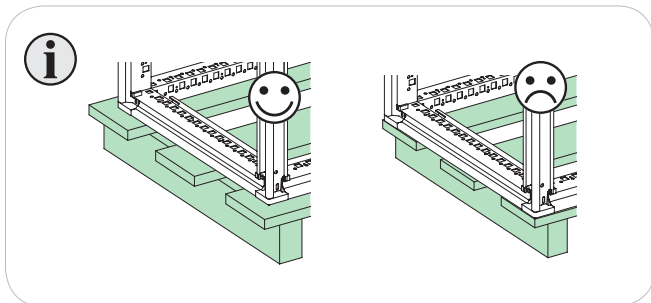
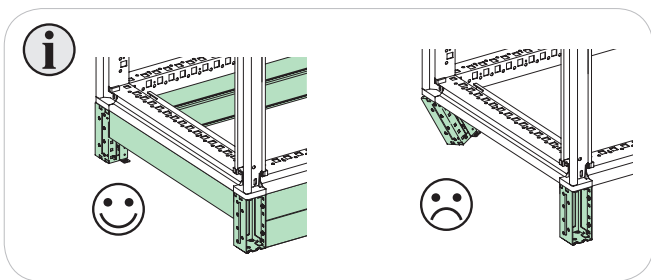
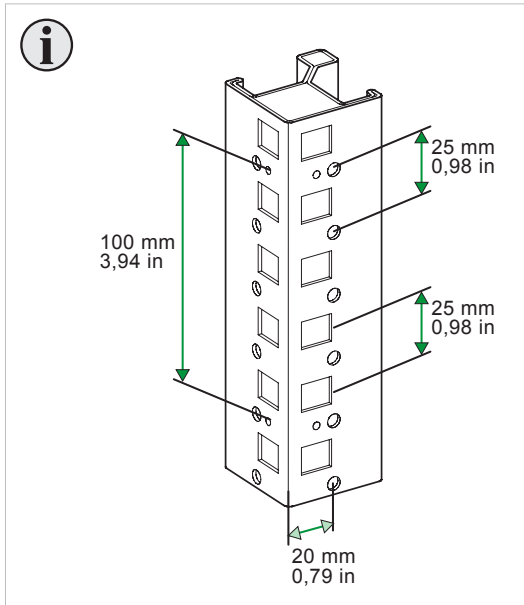


Spacial SF Supplied as a Kit
 Spacial SF Fournies en Kit
 Spacial SF Suministrado en Kit



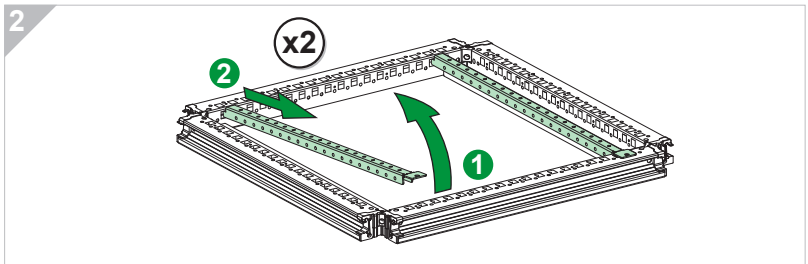
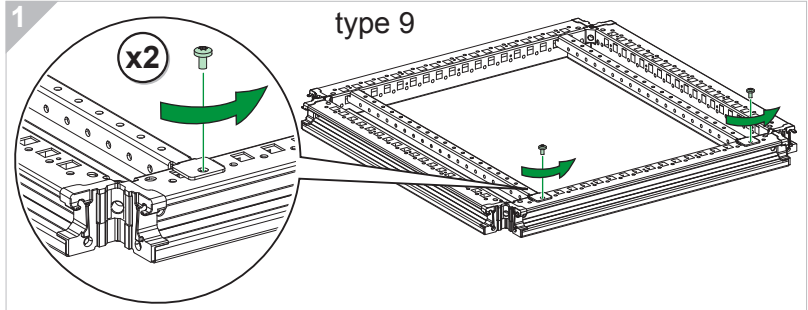
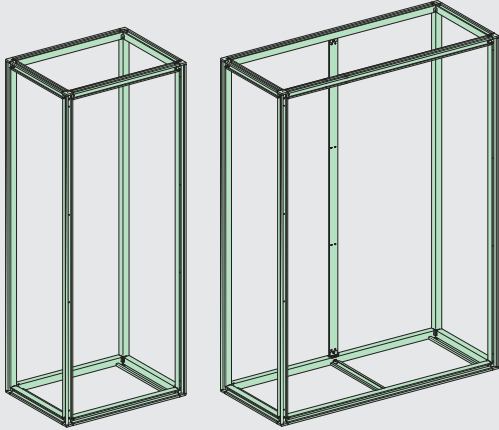
type 1 ● M5 / T25 2.7 Nm 23.90 lb-in	type 2 ● M6 / T30 4.5 Nm 39.82 lb-in	type 3 ● M8 / T40 4.5 Nm 39.82 lb-in	type 4 ● M8 40 Nm 354 lb-in	type 5 ● M12 10 Nm 88.50 lb-in
type 6 M8 4.5 Nm 39.82 lb-in	type 7 M12 10 Nm 88.50 lb-in	type 8 ● M12 6 Nm 53.10 lb-in	type 9 ● M6 / T30 4.5 Nm 39.82 lb-in	type 10 M6
type 11 M6	type 13 M6	type 15 M8 3 Nm 26.55 lb-in	type 16 ● M6 / T30 3.5 Nm 30.97 lb-in	type 17 M 8
type 12 M8	type 14 M8	type 21 diam.13 / PA 6.6	type 22 ● M6 / T30 4.5 Nm - 39.82 lb-in	type 18 diam. ext. 20
type 19 diam. ext. 20	type 20 diam.13		type 23 ● M6 / T20 3.5 Nm - 30.97 lb-in	

→ p. 3	→ p. 4	→ p. 5	→ p. 6
→ p. 7	→ p. 8	→ p. 10	→ p. 12
→ p. 13	→ p. 14	→ p. 15	→ p. 16
→ p. 17	→ p. 18	→ p. 21	→ p. 22

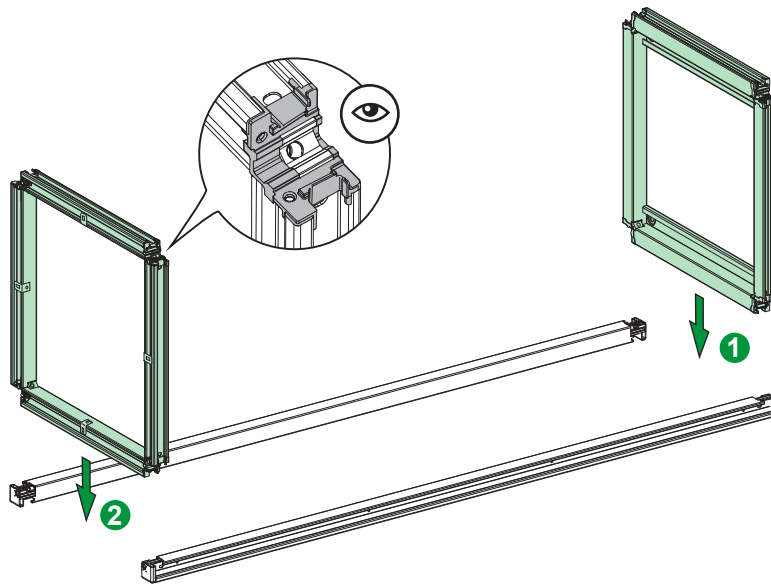




A

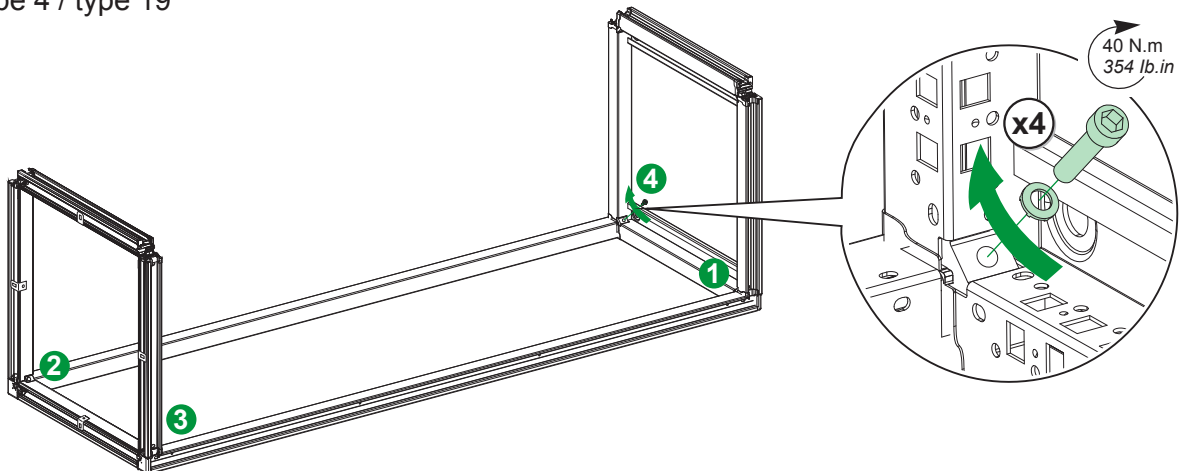


3



4

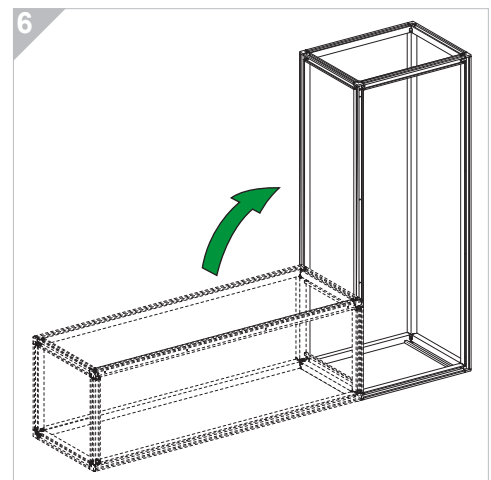
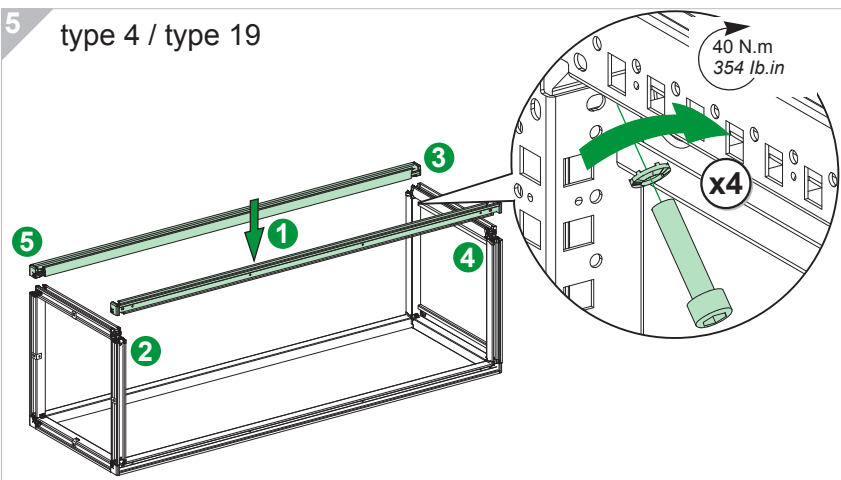
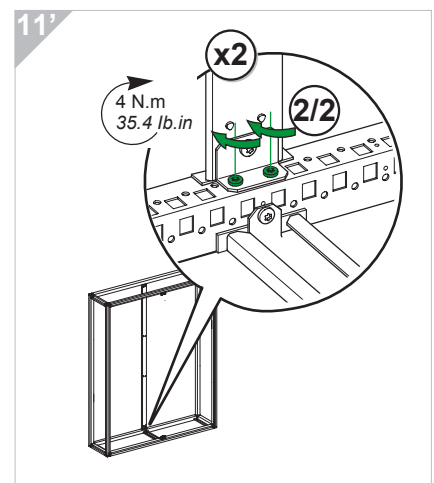
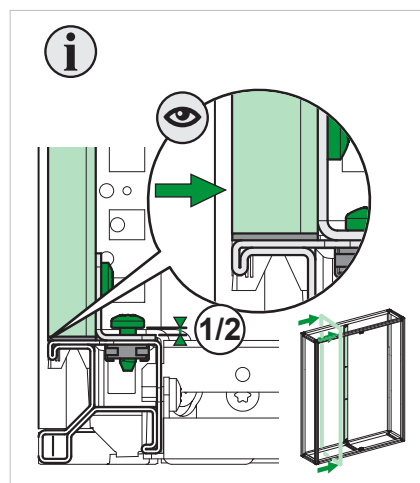
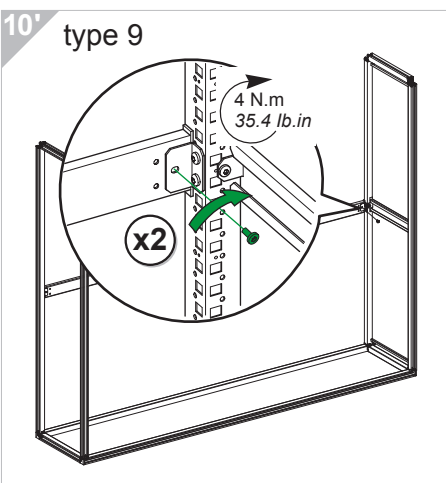
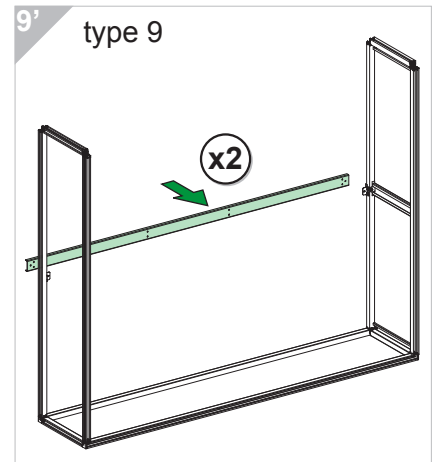
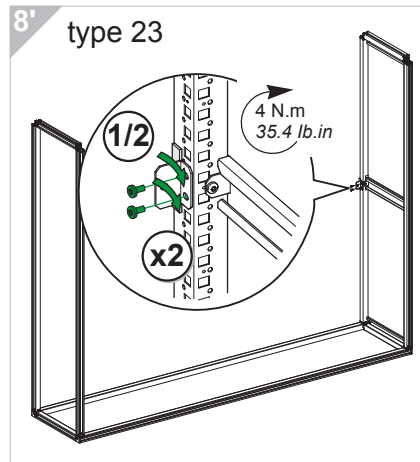
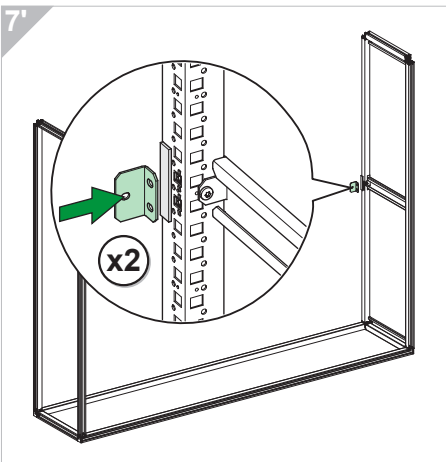
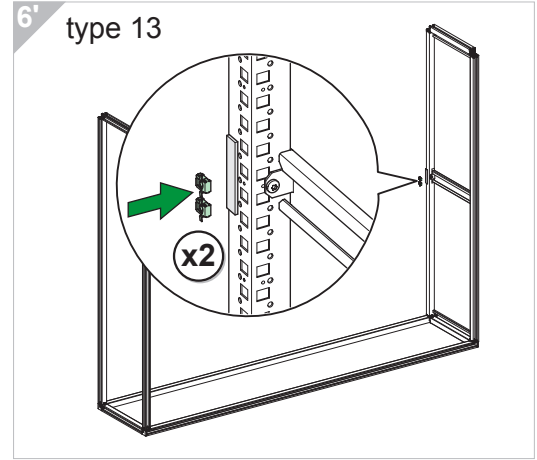
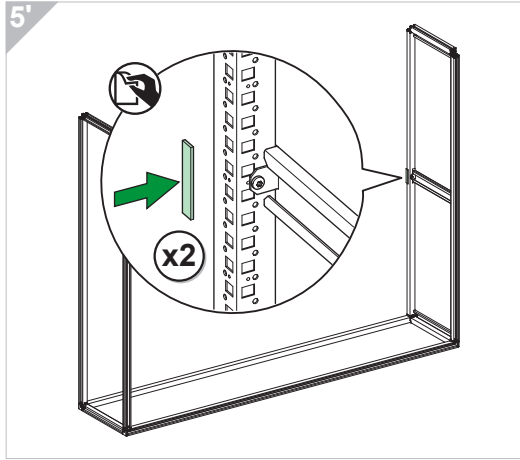
type 4 / type 19



A'

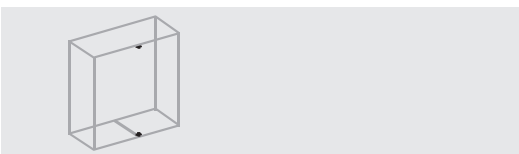
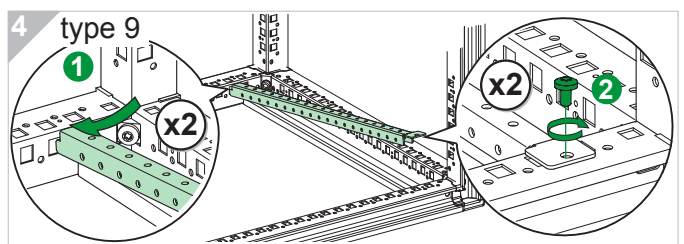
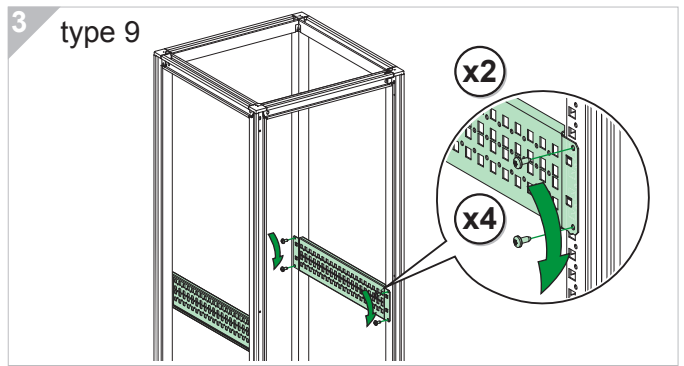
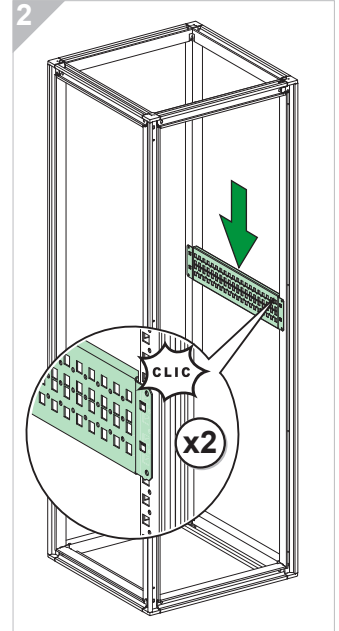
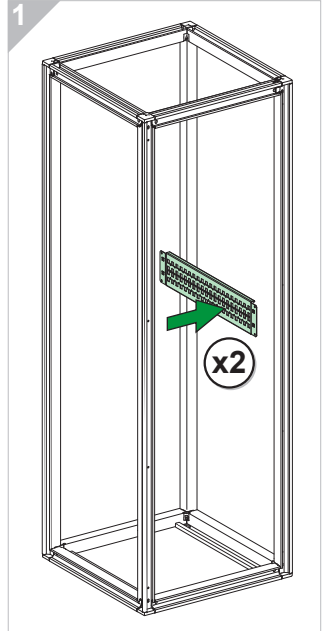
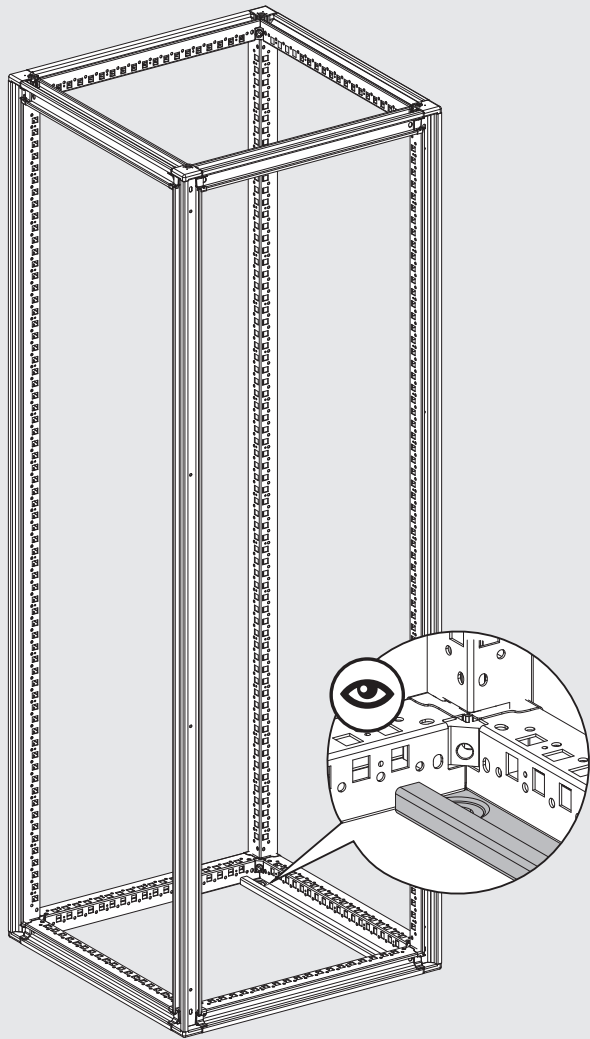


Width/Large/Ancho
1600 mm
62.99 in

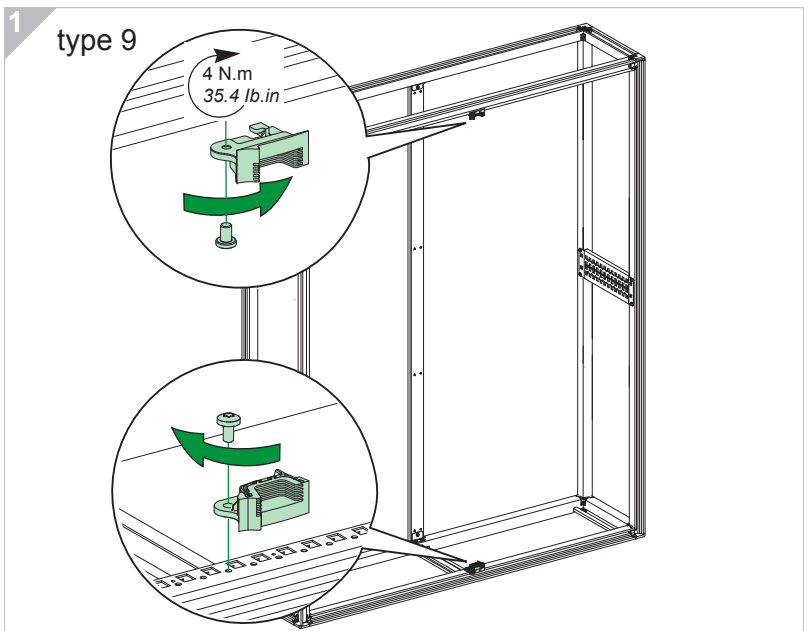
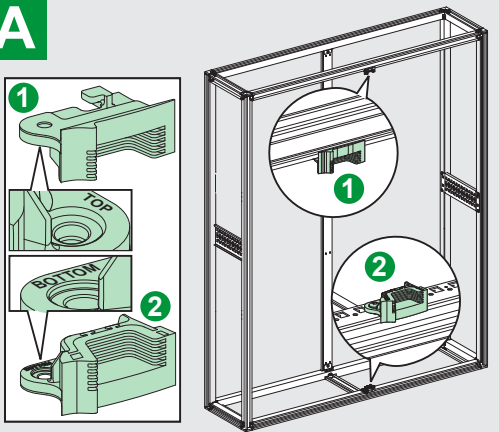


A

type 9 **x8** Width/Large/Ancho ≥ 600 mm, 23.62 in
 Depth/Profundeur/Profundidad ≥ 500 mm, 19.68 in
 ● M6 / T30
 3 Nm
 26,55 lb-in

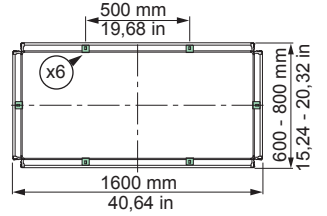
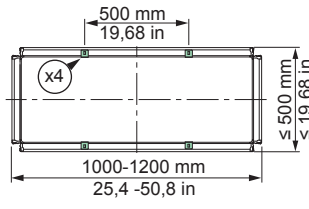
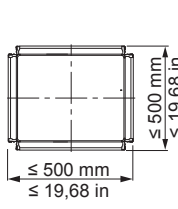
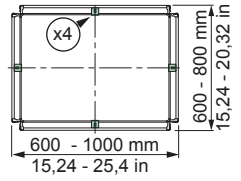
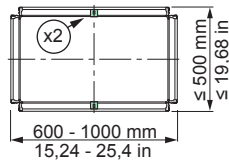


A

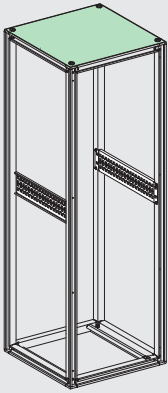




Top frame
Cadre supérieur
Marco superior

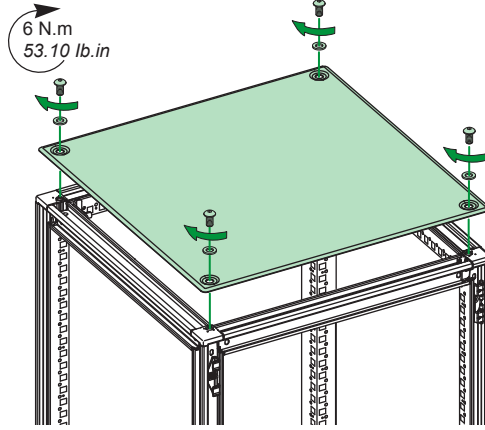


A

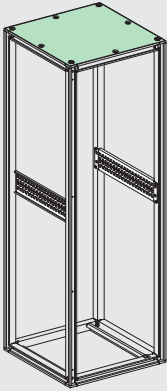


Width/Large/Ancho
≤ 500 mm, 19.68 in
**Depth/Profundeur/
Profundidad**
≤ 500 mm, 19.68 in

1

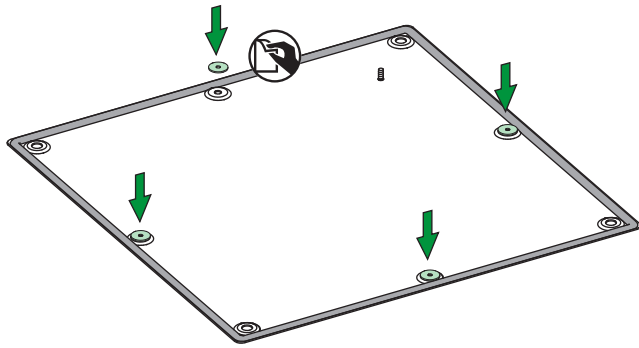


A

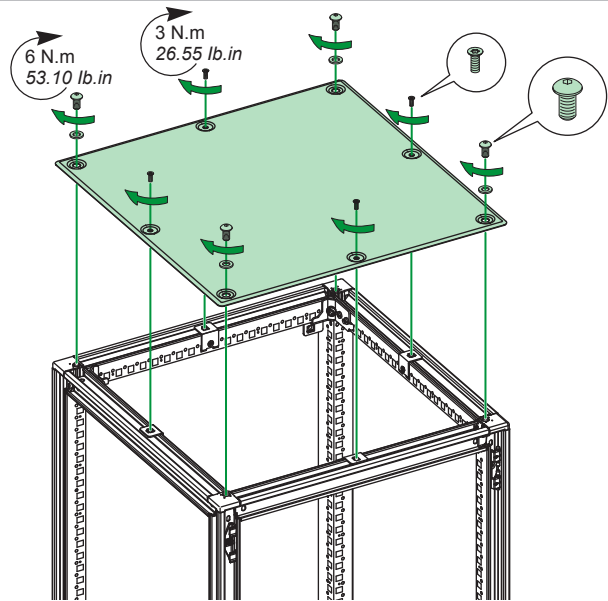


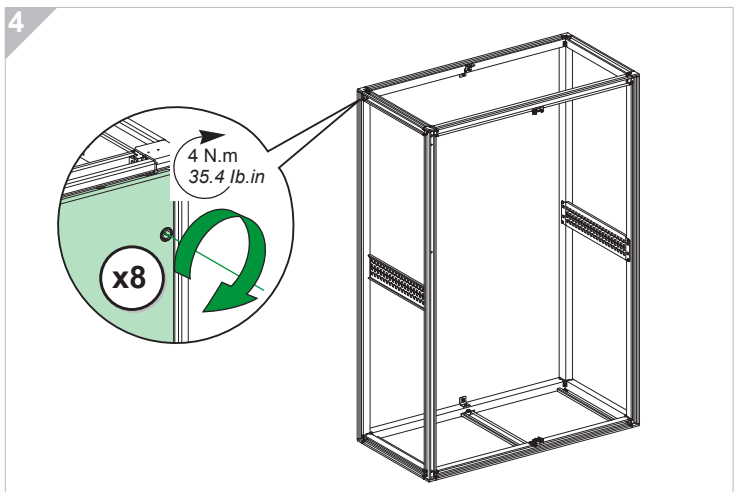
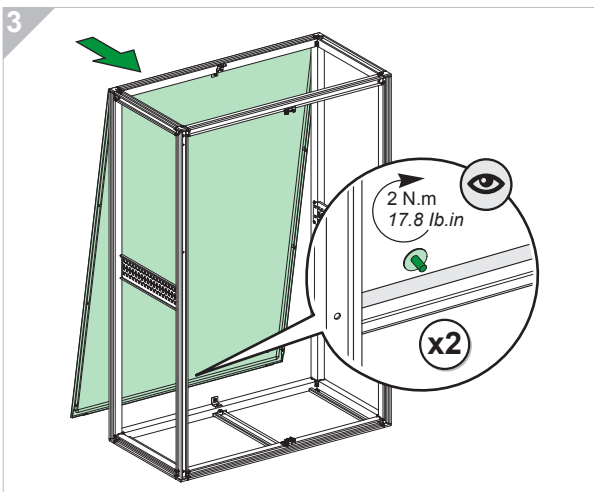
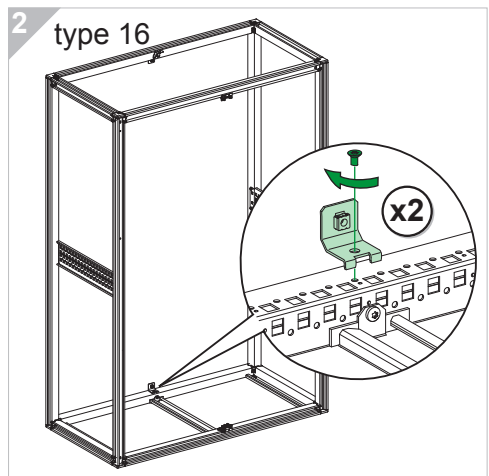
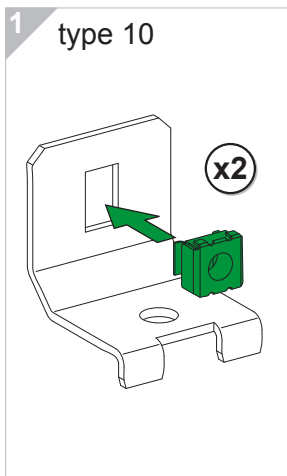
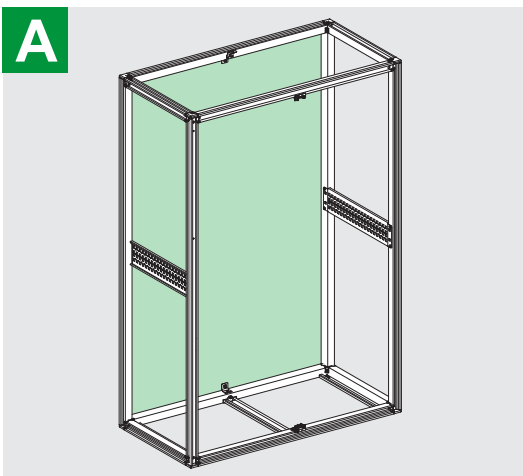
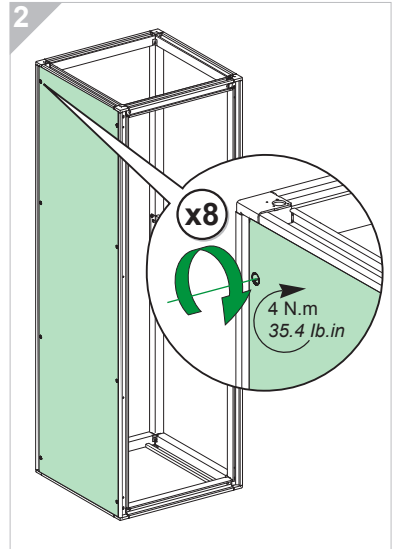
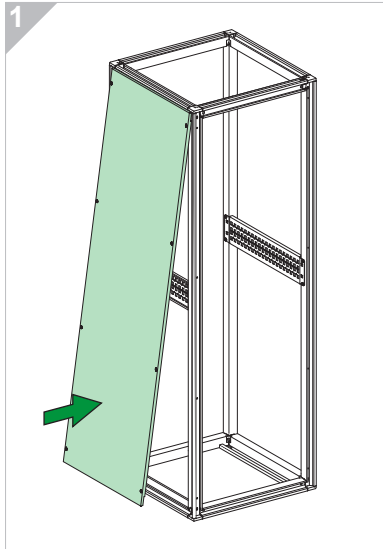
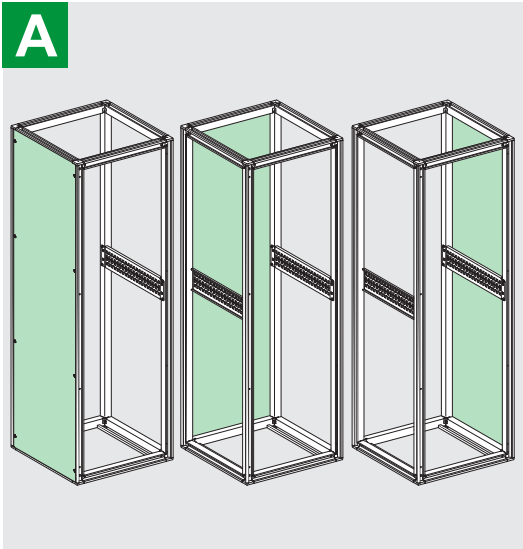
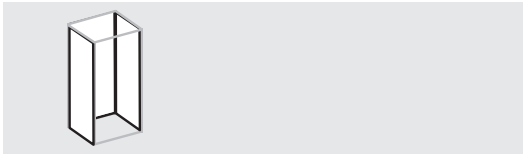
Width/Large/Ancho
≥ 600 mm, 23.62 in
**Depth/Profundeur/
Profundidad**
≥ 600 mm, 23.62 in

1



2

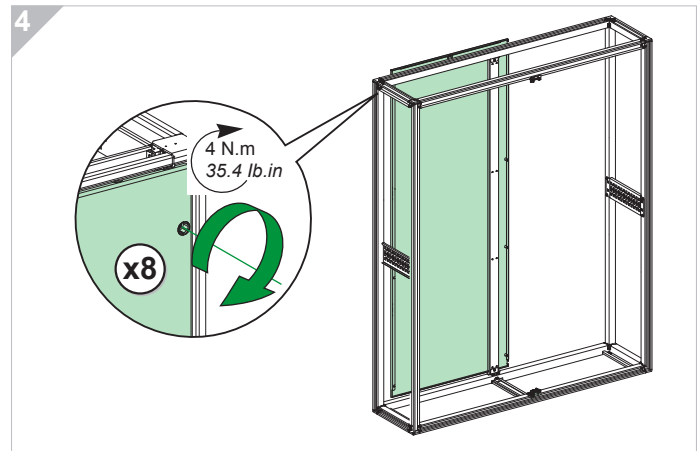
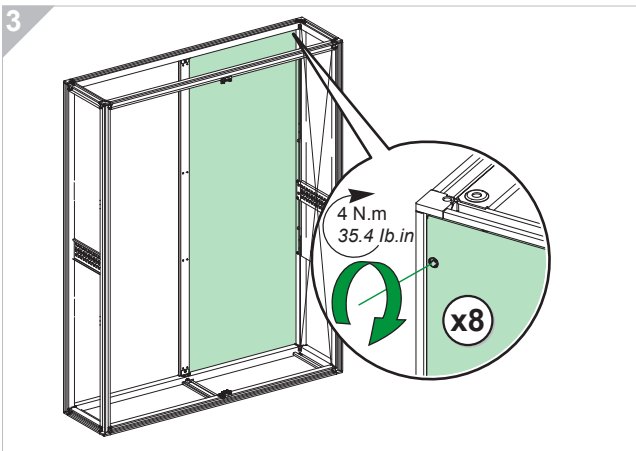
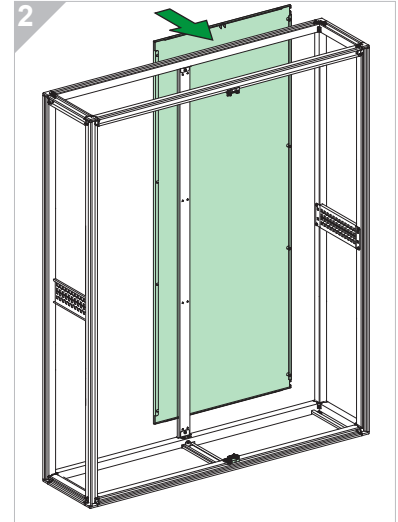
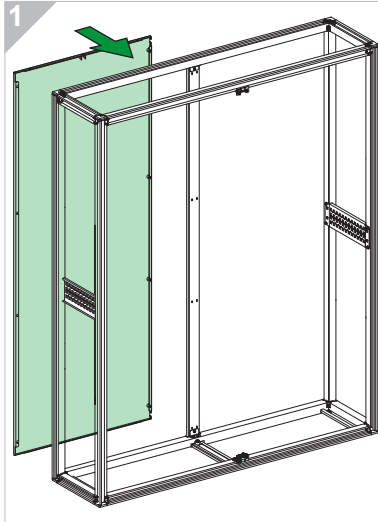
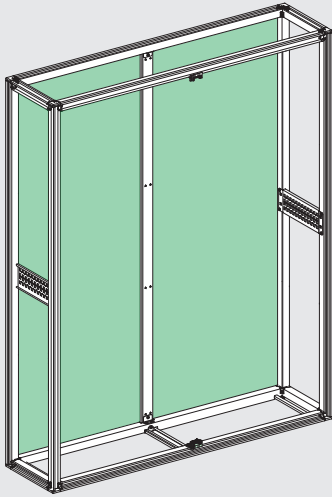




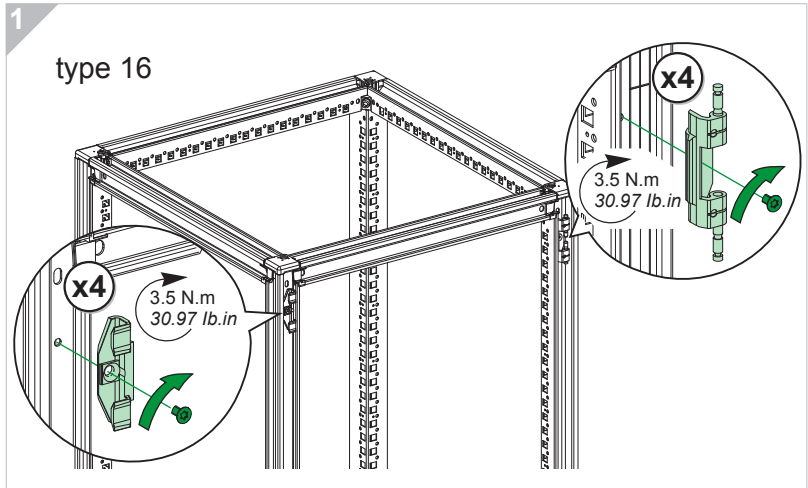
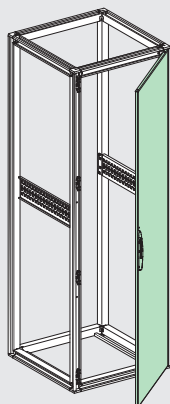


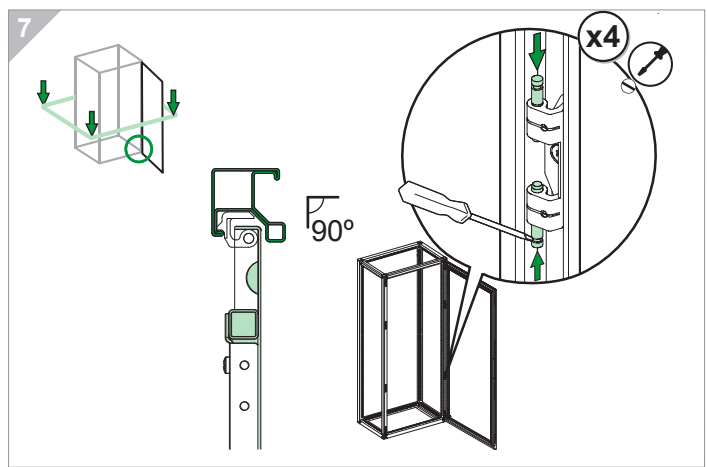
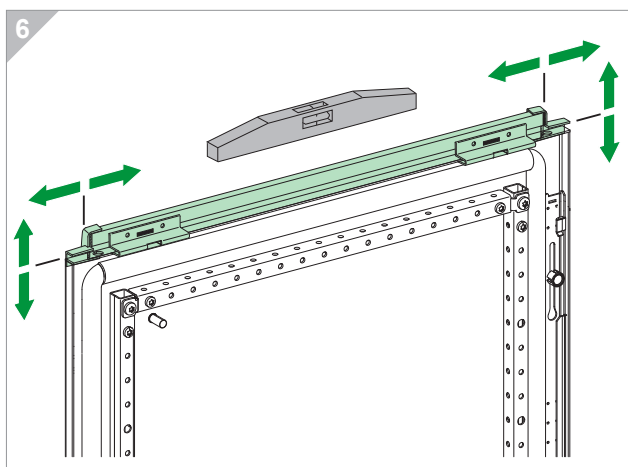
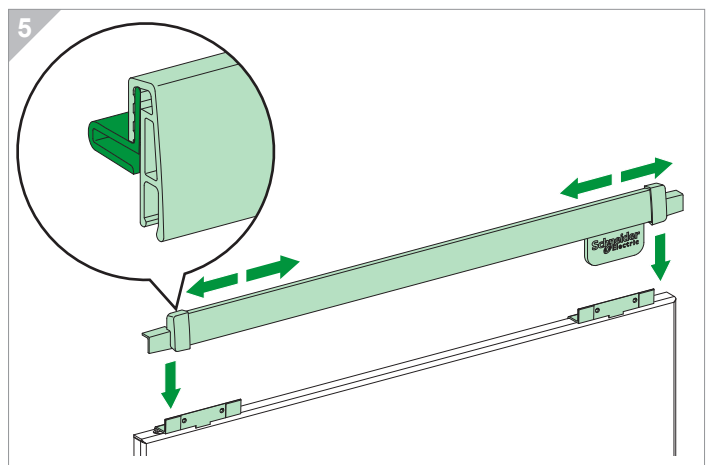
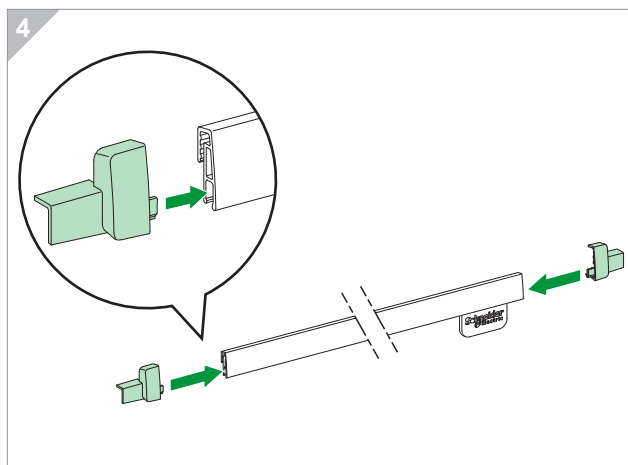
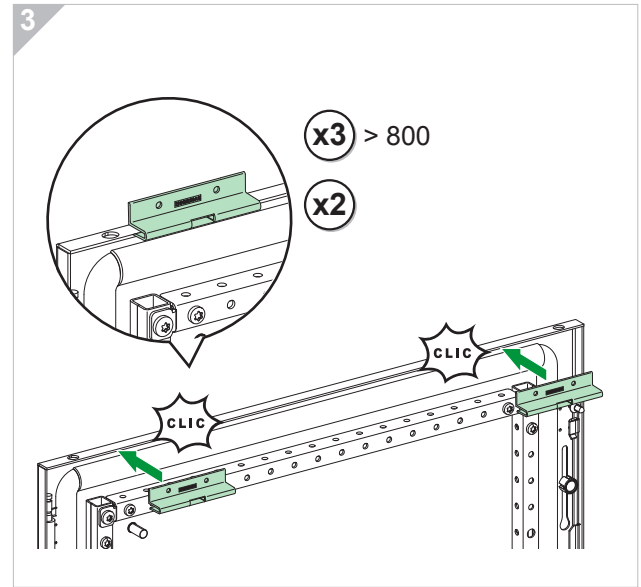
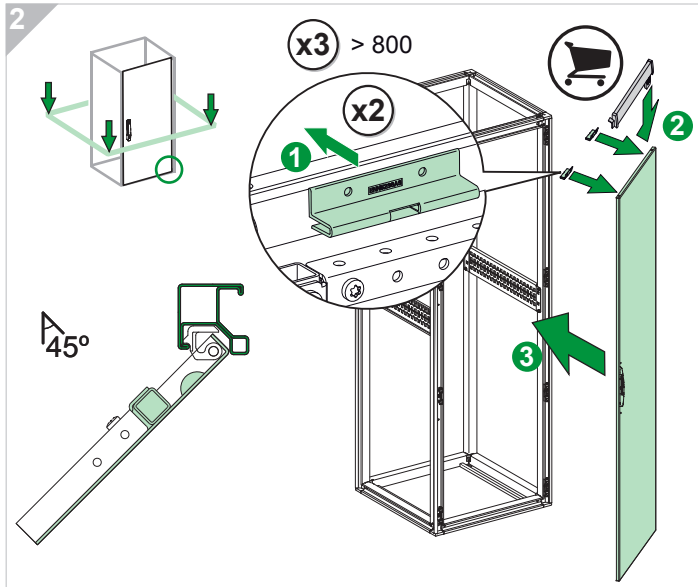
Width/Large/Ancho
1600 mm
62.99 in

A



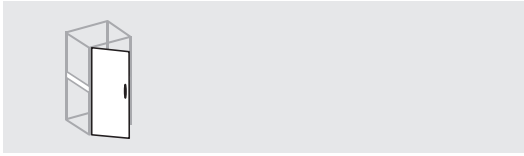
A



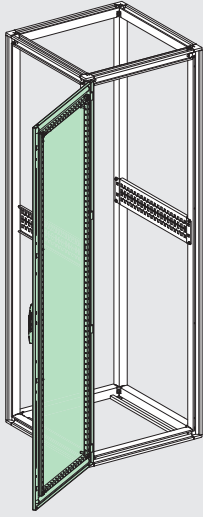


Door	Length	Cat. No.
1	300	NSYTRIM3SF
1	400	NSYTRIM4SF
1	500	NSYTRIM5SF
1	600	NSYTRIM6SF
1	700	NSYTRIM7SFP
1	800	NSYTRIM8SF
1	1000	NSYTRIM10SF

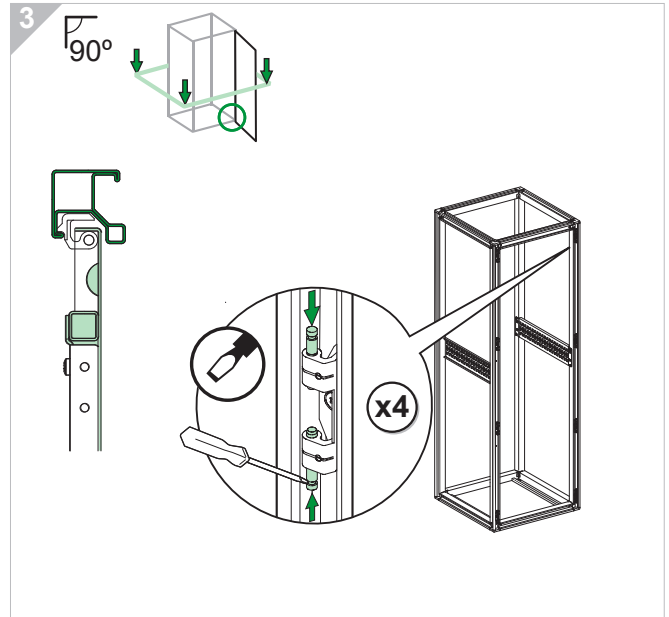
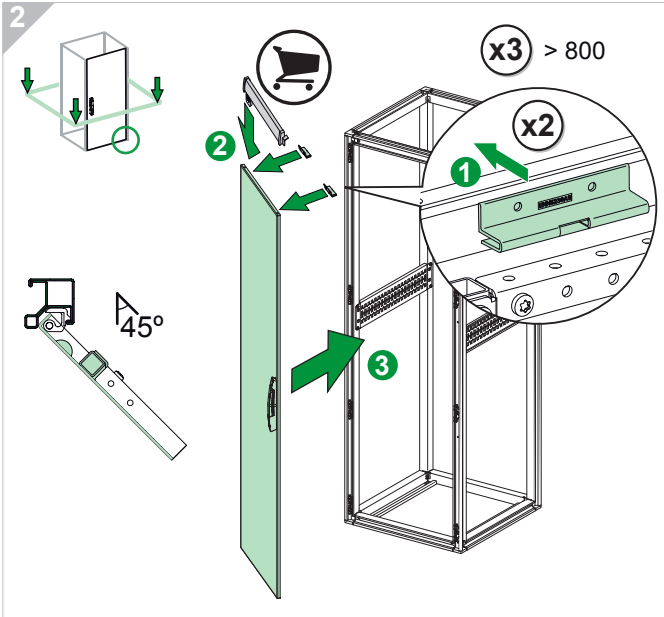
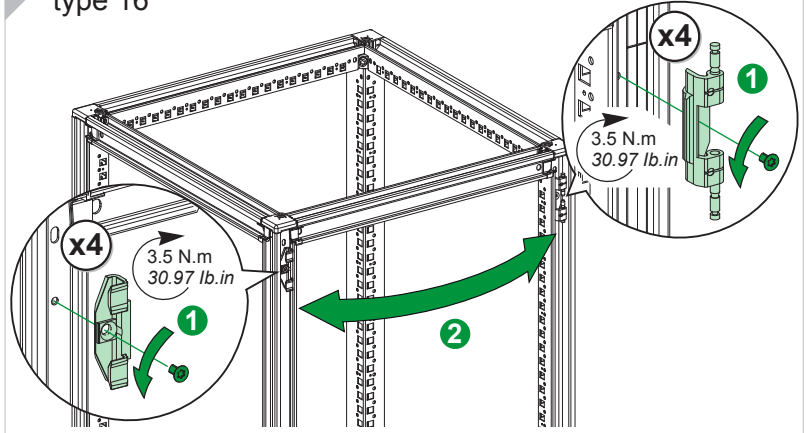
Door	Length	Cat. No.
2	800	NSYTRIM8SF2D
2	1000	NSYTRIM10SF2D
2	1200	NSYTRIM12SF2D
2	1600	NSYTRIM16SF2D



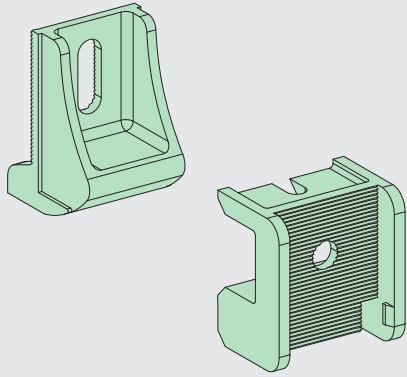
A'



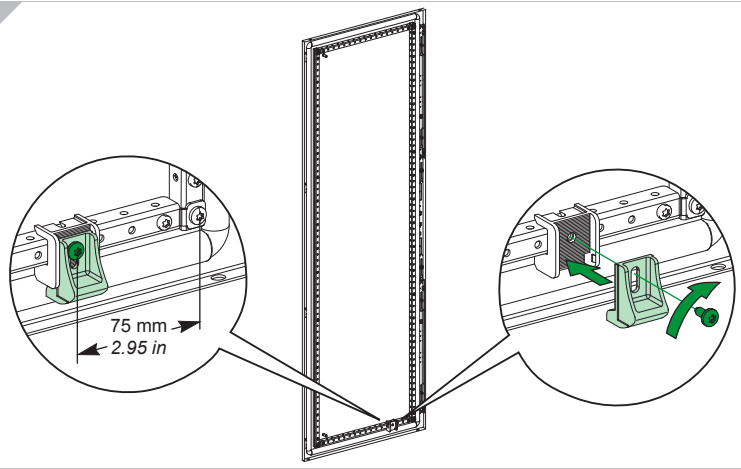
1 type 16



A

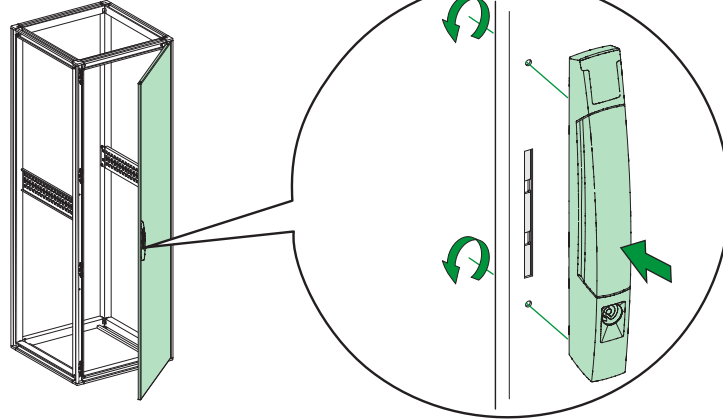


1

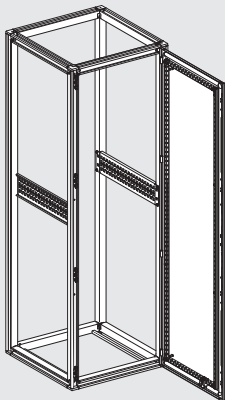


1

 **Diam. 4.2**
2.5 Nm
22.12 lb.in



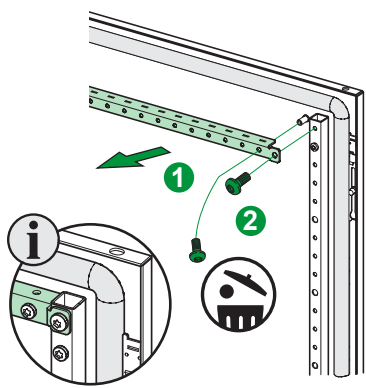
A



1

type 1 / type 9

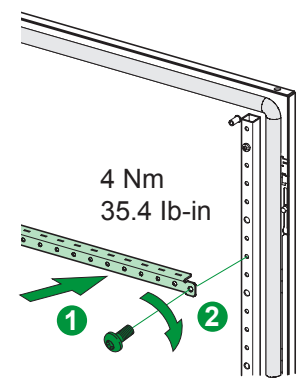
x2

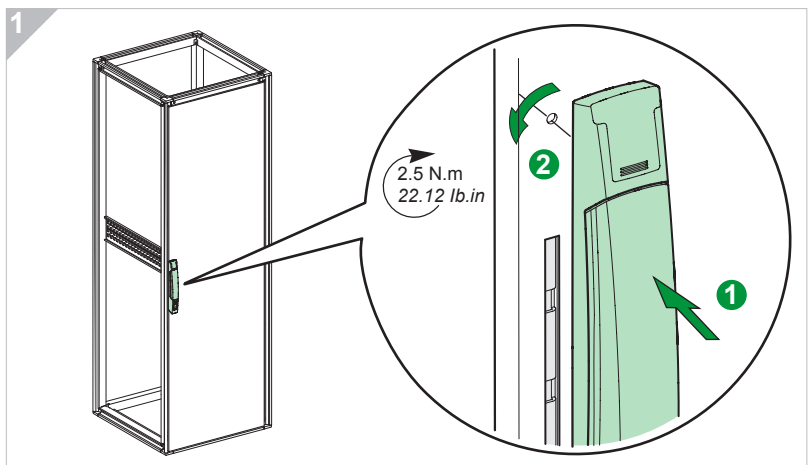
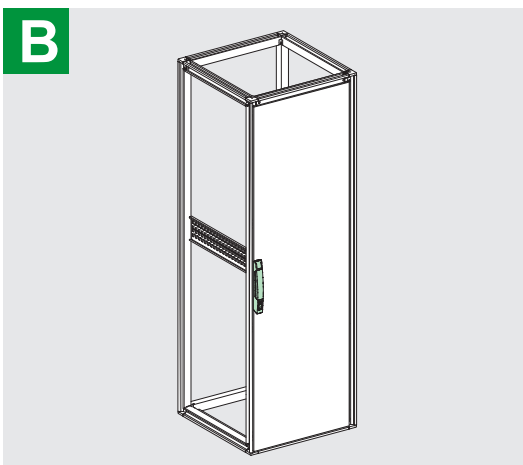
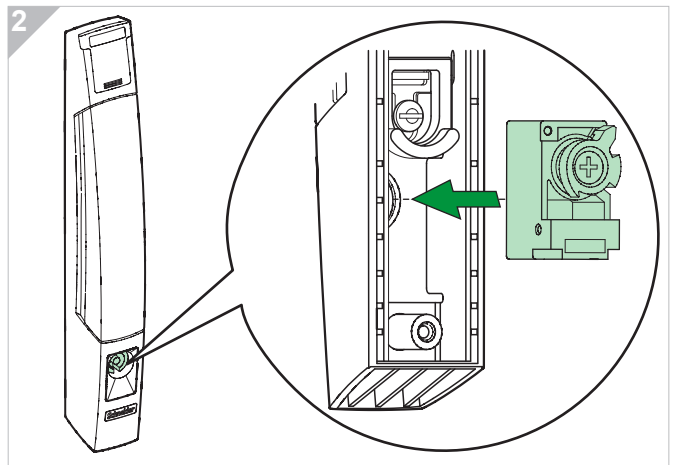
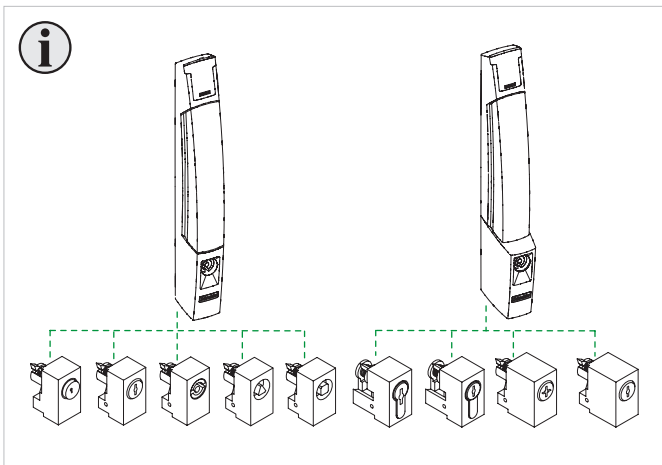
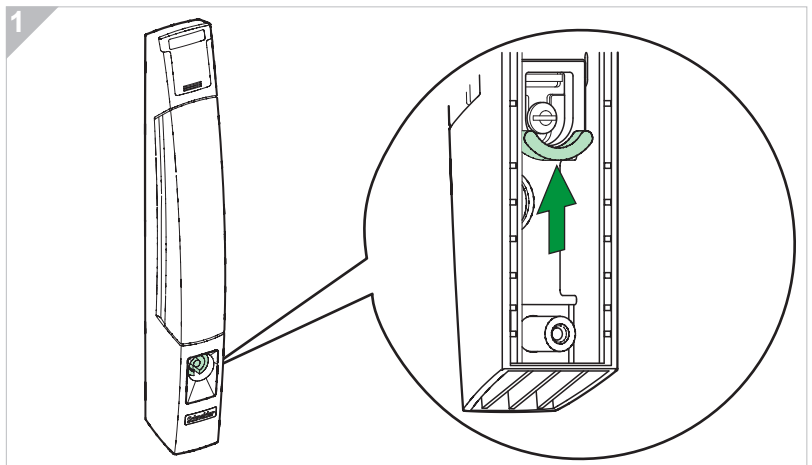
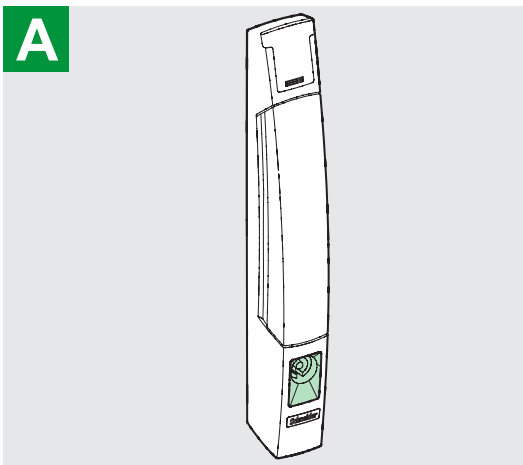
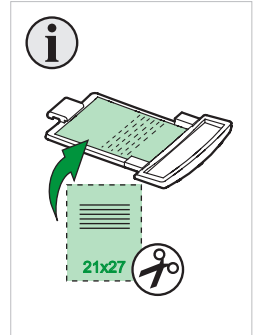
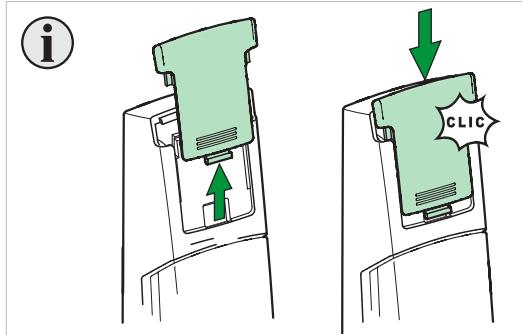
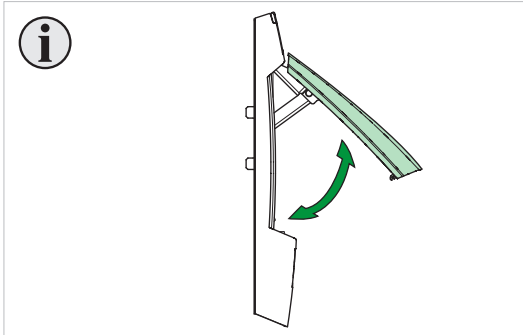
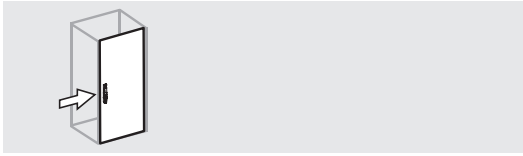


2

type 9

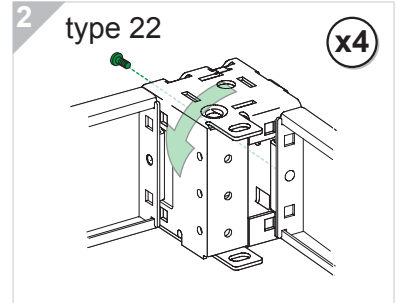
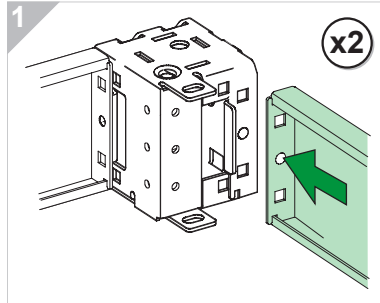
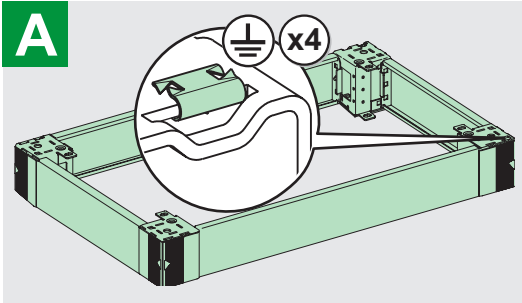
x2



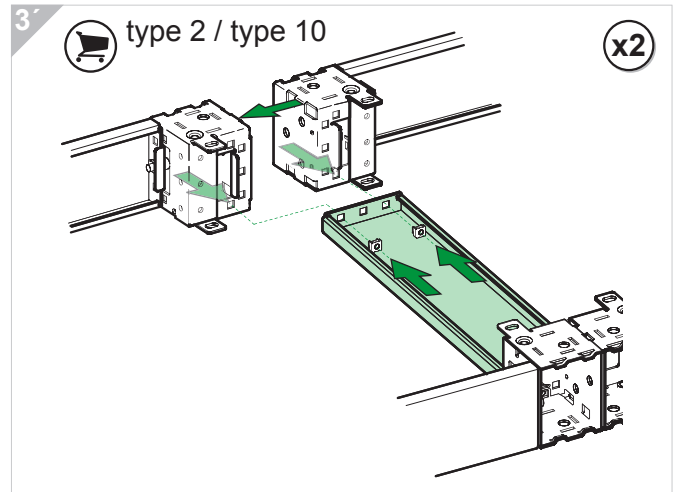
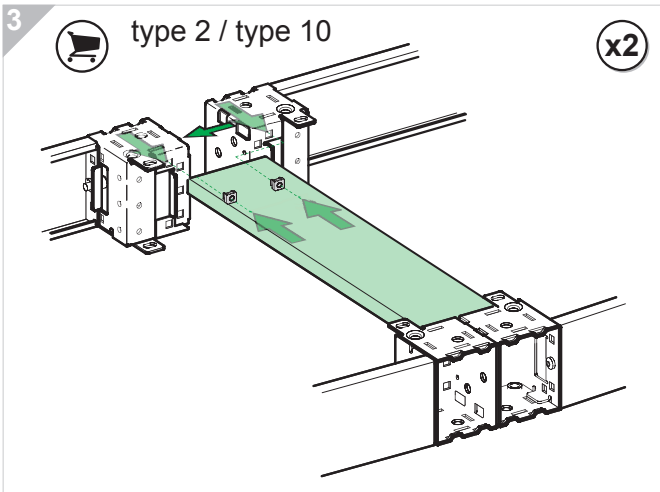
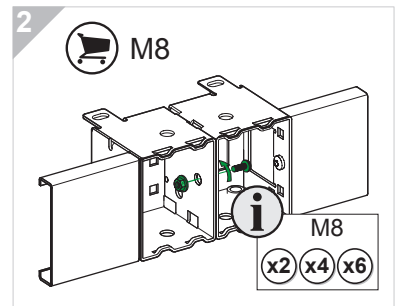
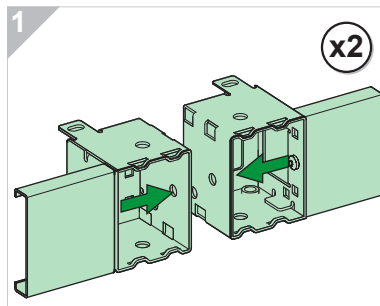
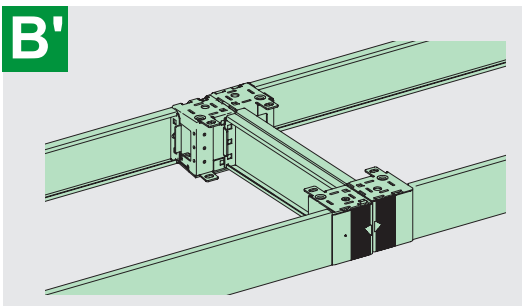
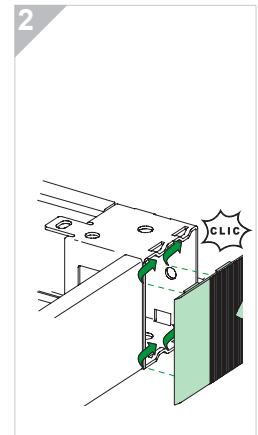
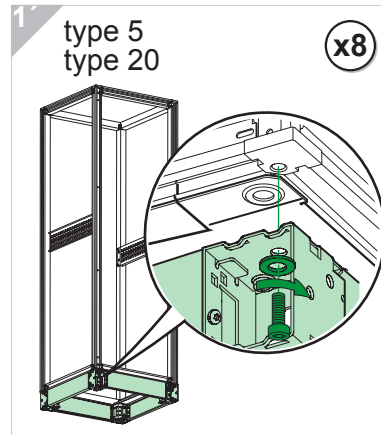
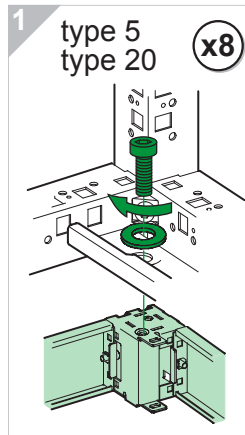
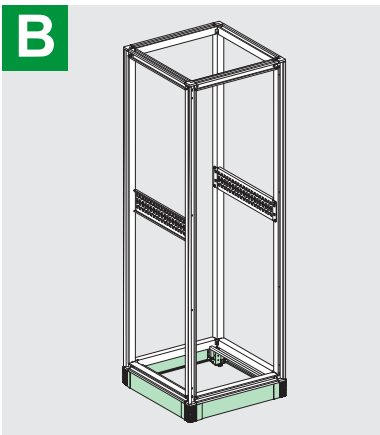




NSYSPFxx100
NSYSPSxx100
 H = 100 mm
 H = 3.94 in

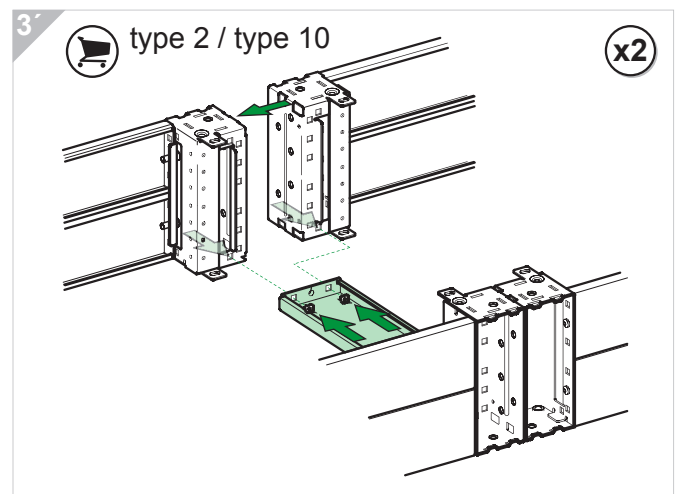
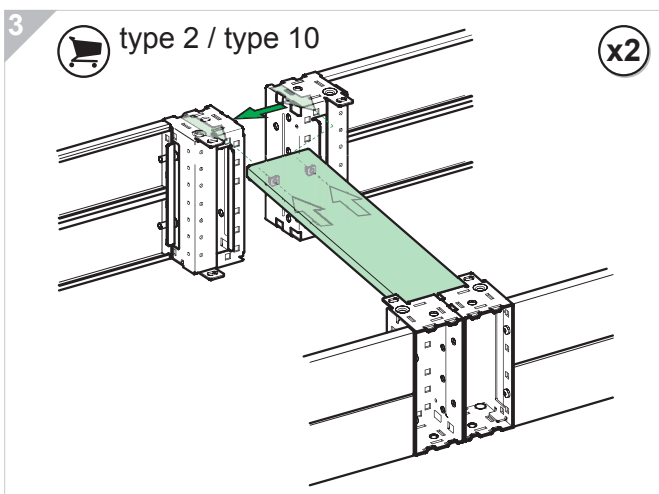
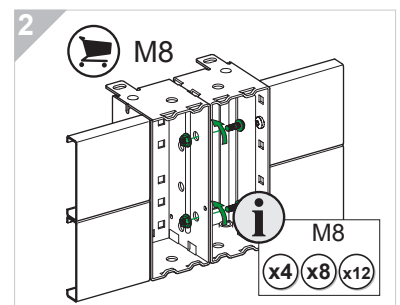
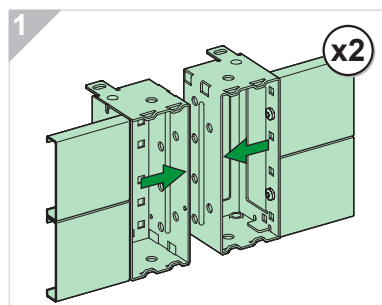
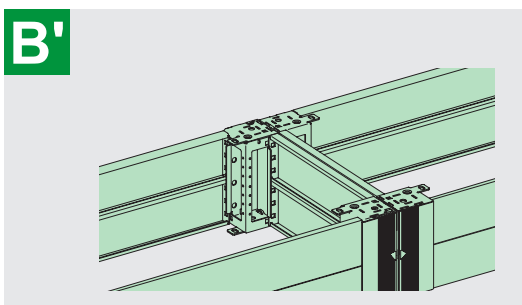
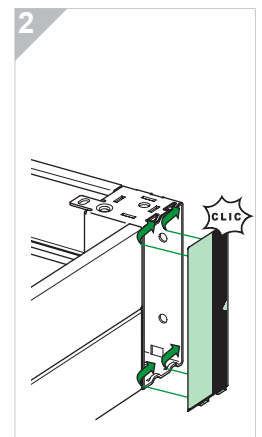
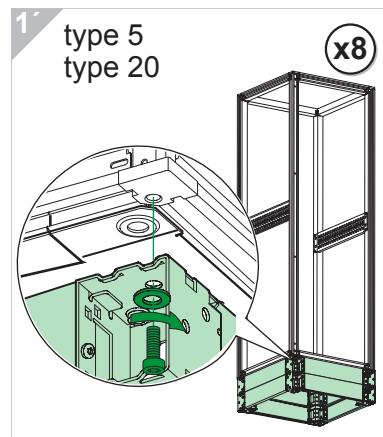
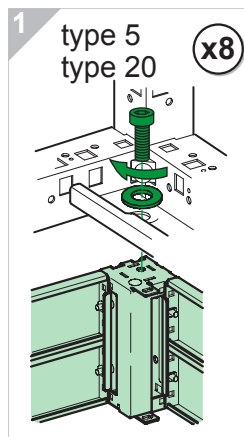
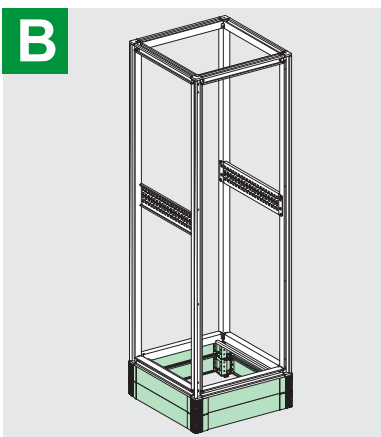
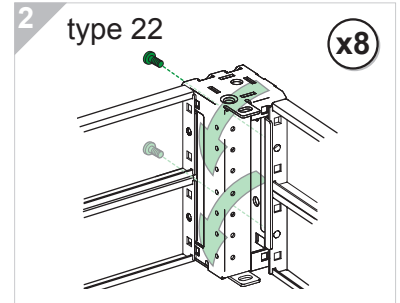
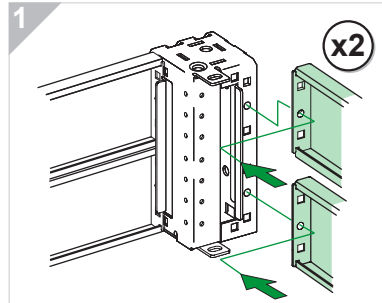
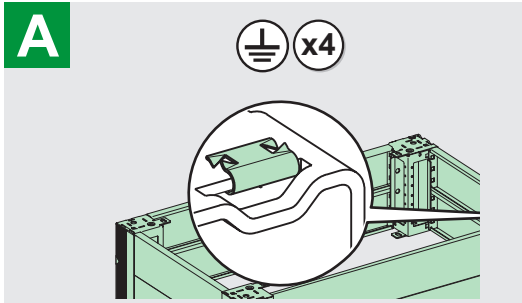


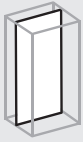
p. 16





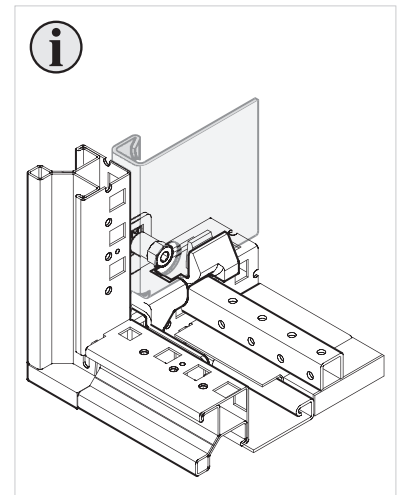
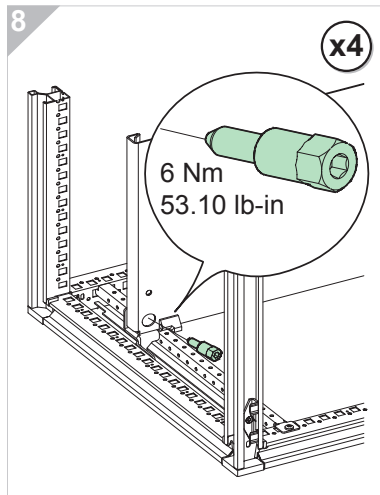
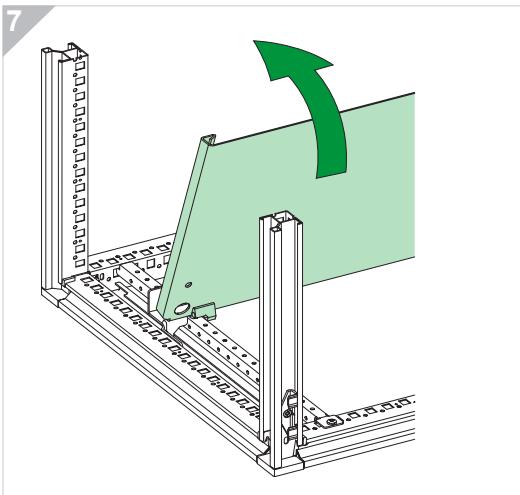
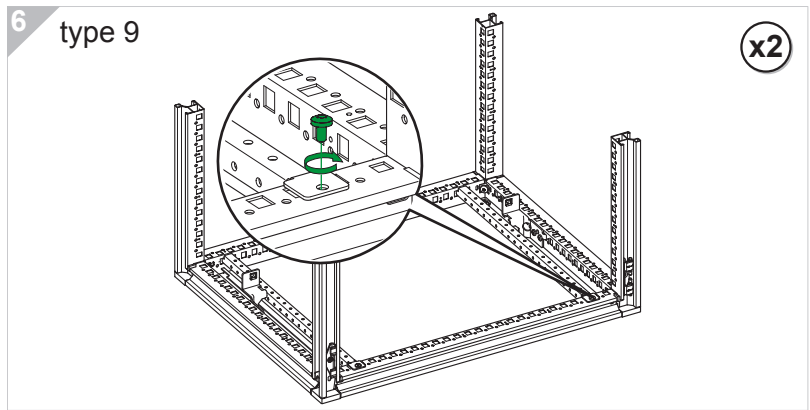
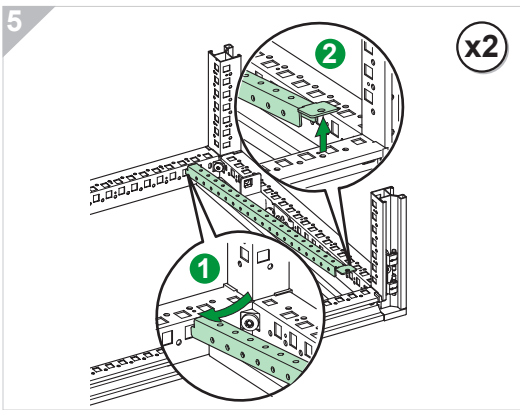
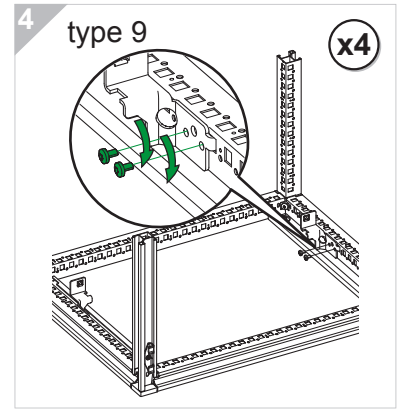
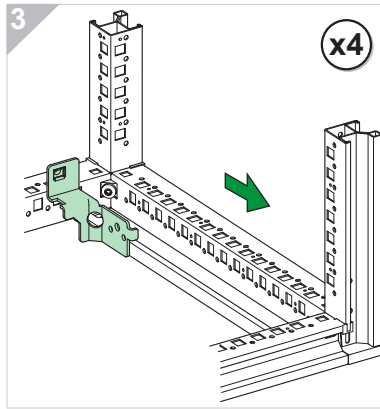
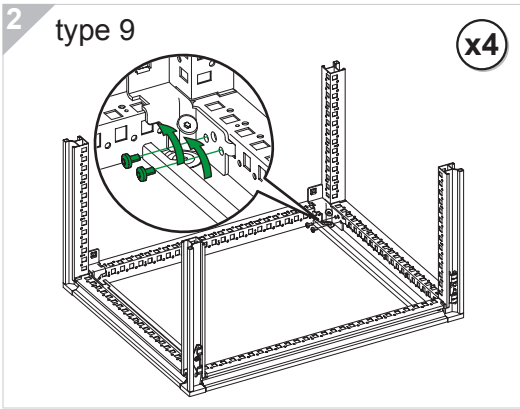
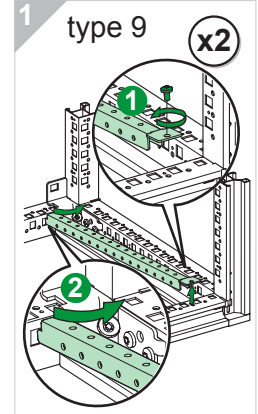
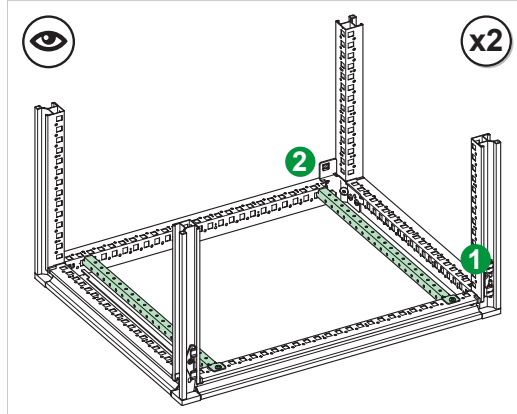
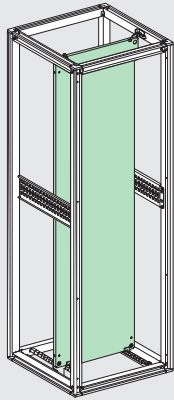
NSYSPFxx200
NSYSPSxx200
H = 200 mm
H = 7.87 in

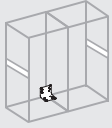




NSYMPxx

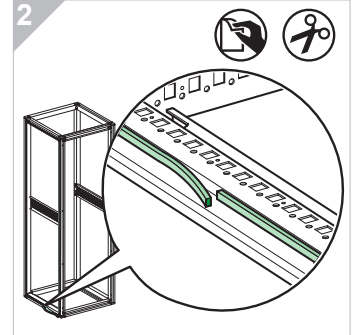
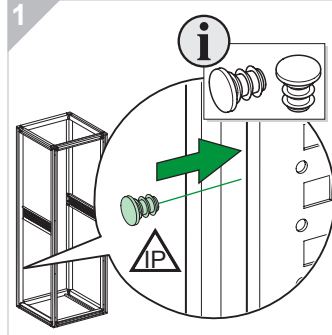
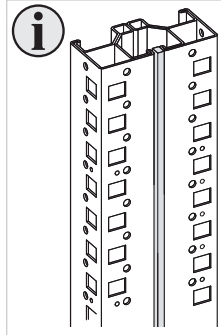
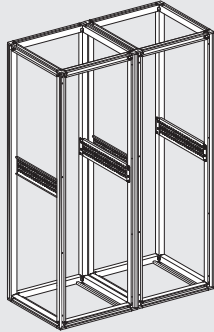
A



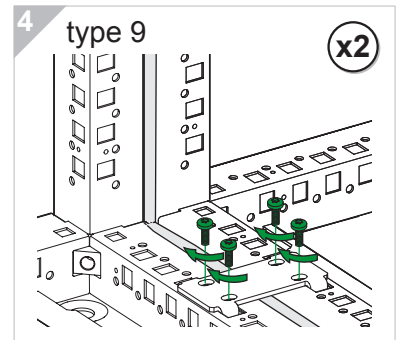
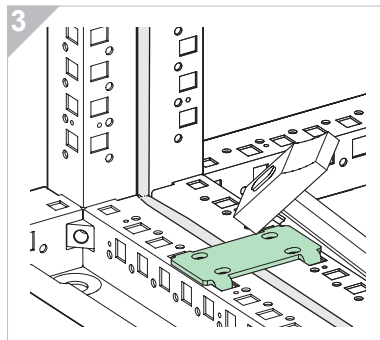
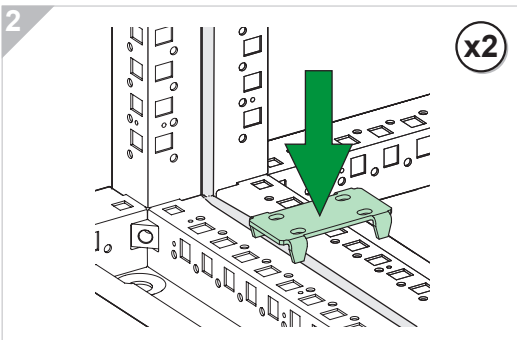
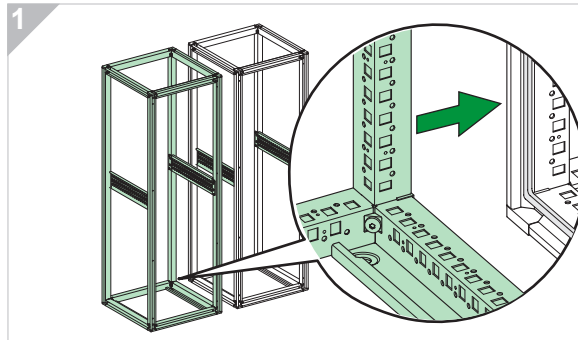
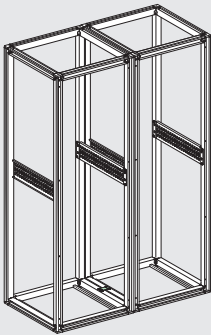


NSYSFBK

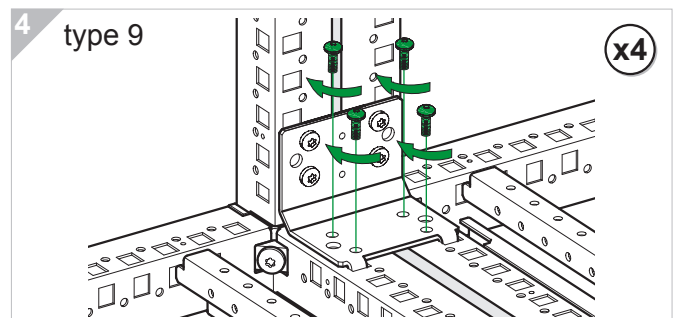
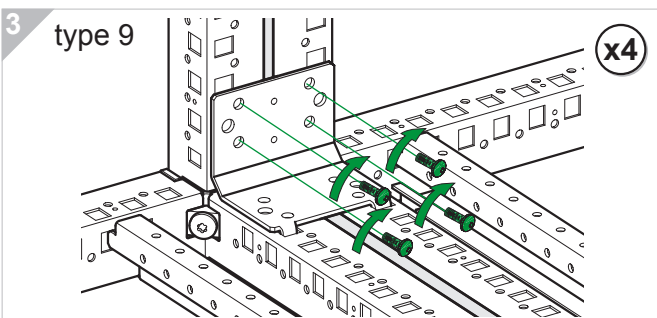
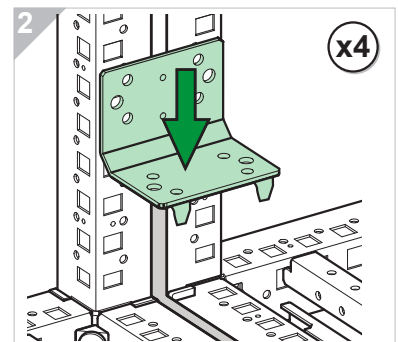
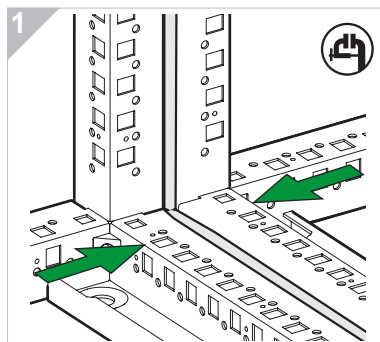
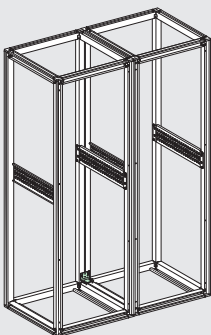
A

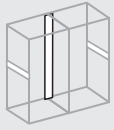


B



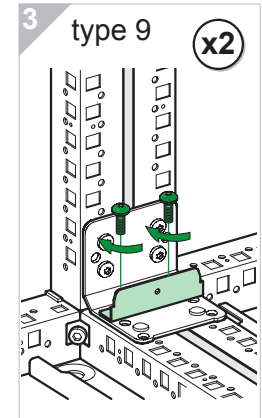
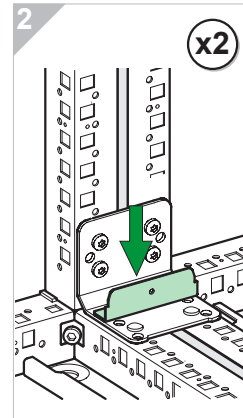
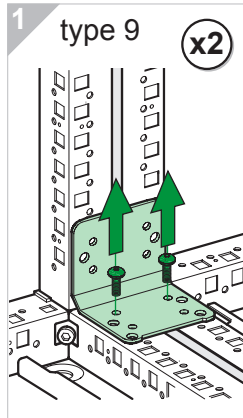
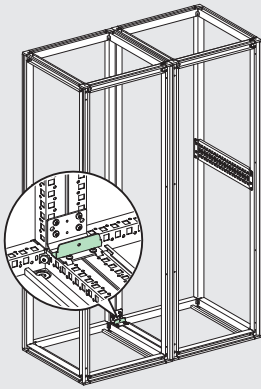
C



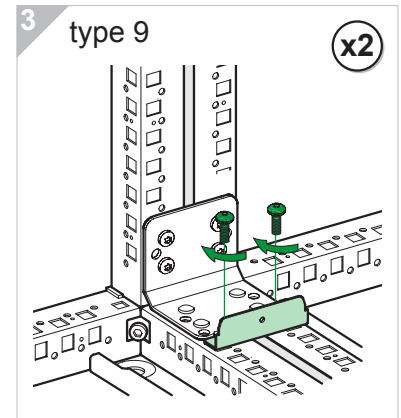
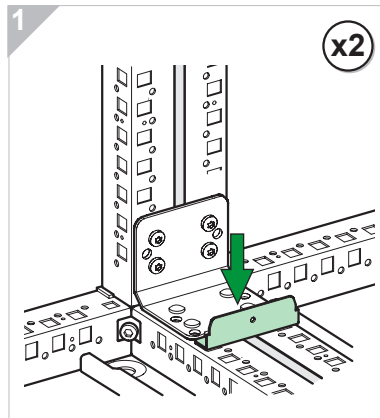
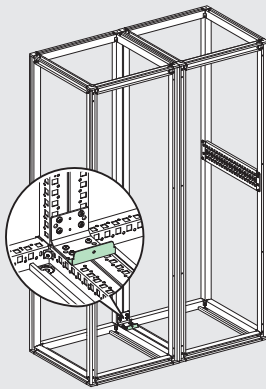


NSYSIMPxx

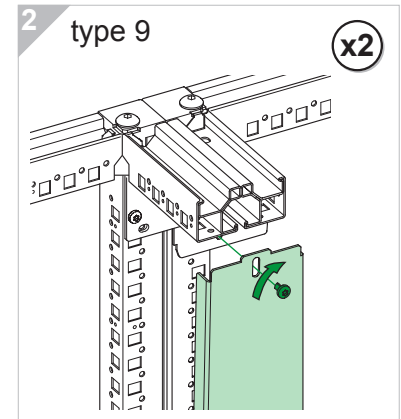
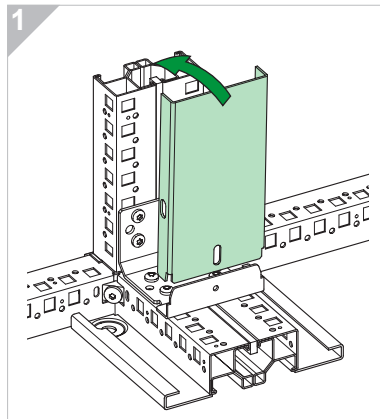
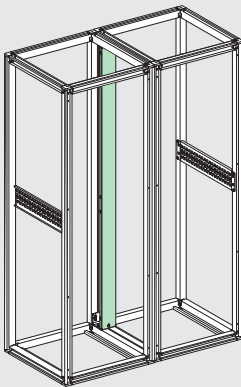
A



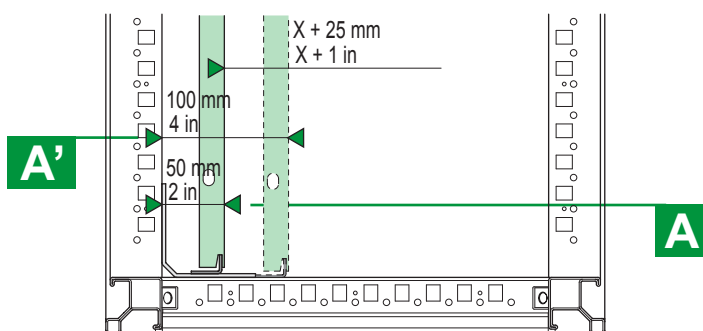
A'



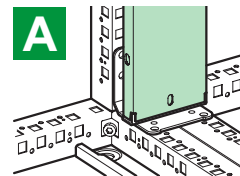
B



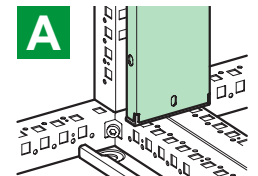
i



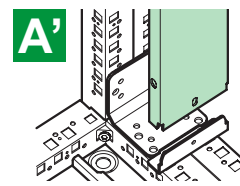
A



A



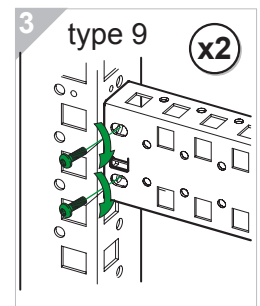
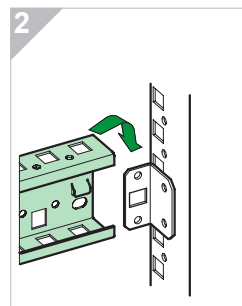
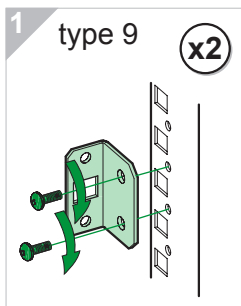
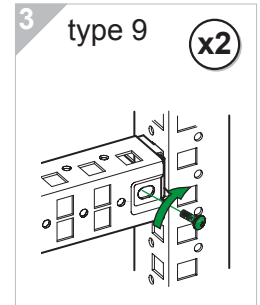
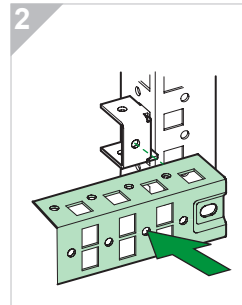
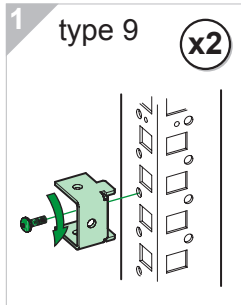
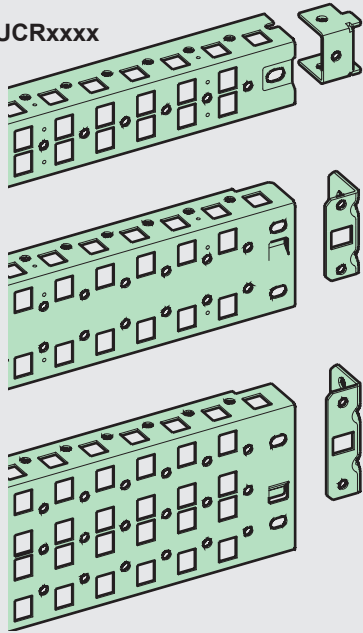
A'





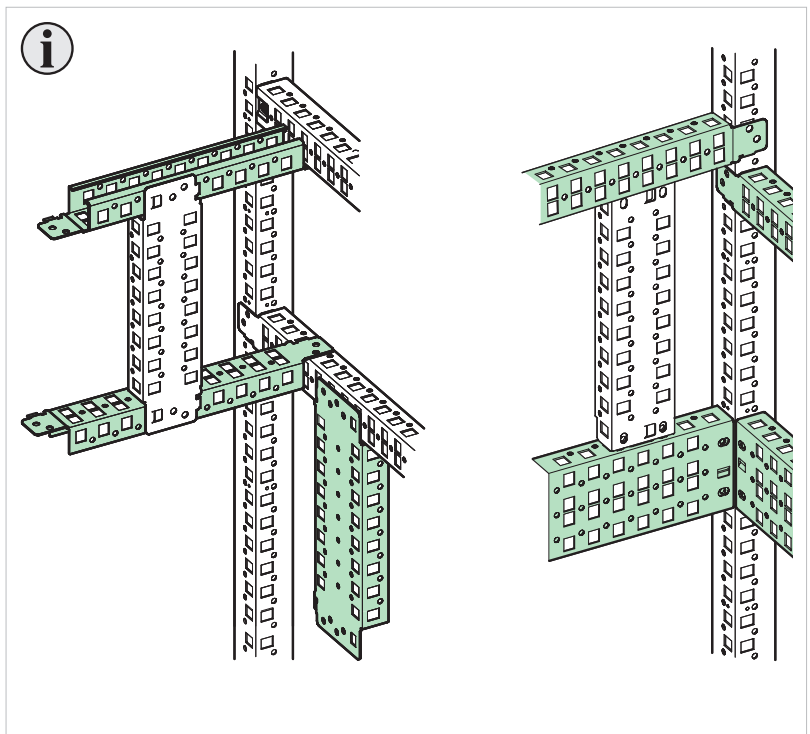
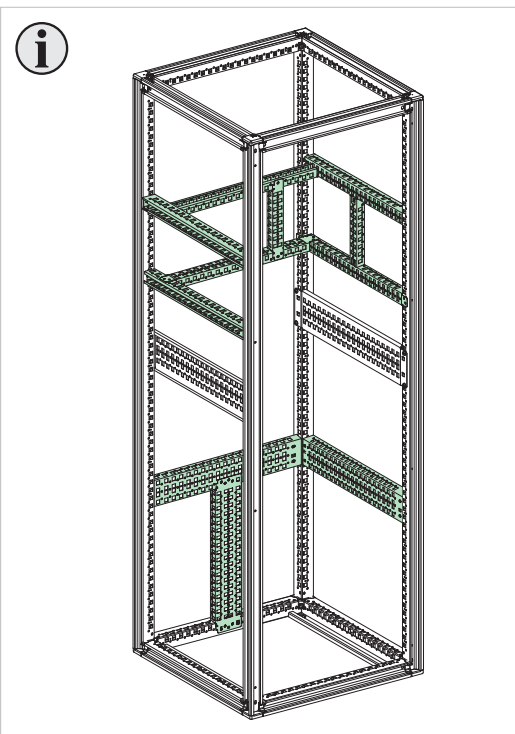
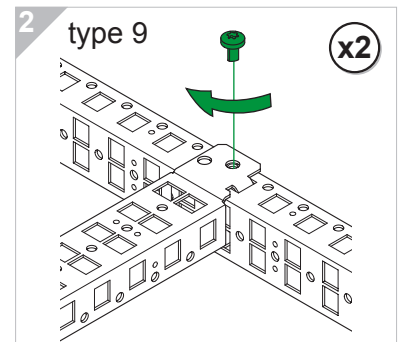
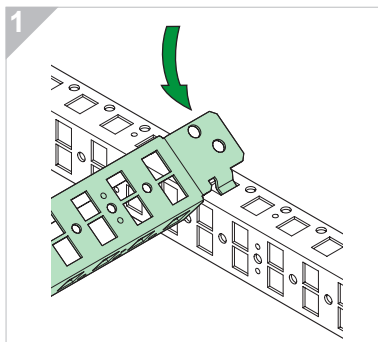
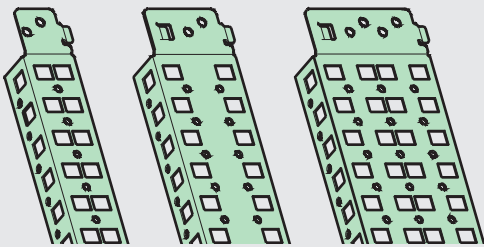
A

NSYSUCRxxxx



A

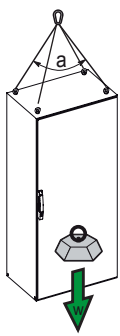
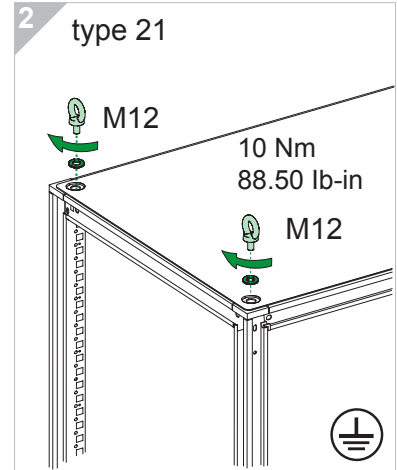
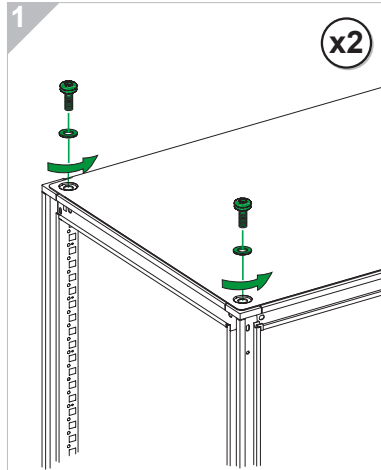
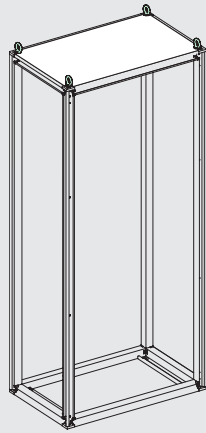
NSYSQCRxxxx



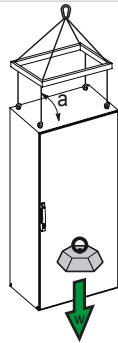


NSYSFEB

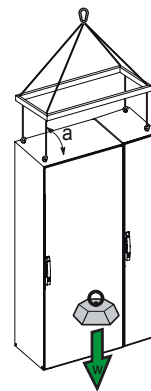
A



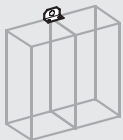
a = 45° W < 580 kg / 1277 lb
a = 60° W < 415 kg / 914 lb
a = 90° W < 240 kg / 528 lb



a = 90°
W < 750 kg / 1655 lb

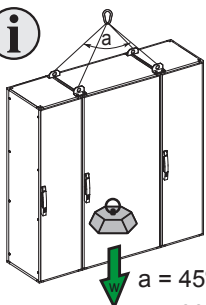
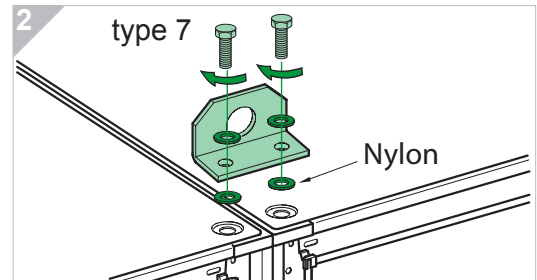
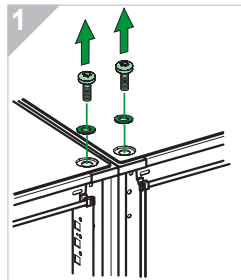
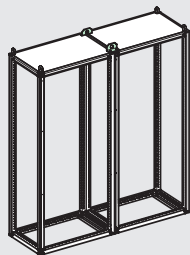


a = 90°
W < 1360 kg / 2998 lb

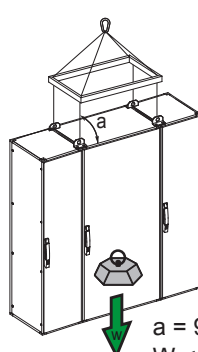


NSYSFELB

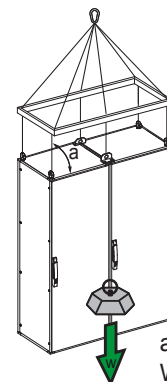
A



a = 45° W < 2800 kg / 6173 lb
a = 60° W < 2000 kg / 4410 lb
a = 90° W < 1100 kg / 2425 lb



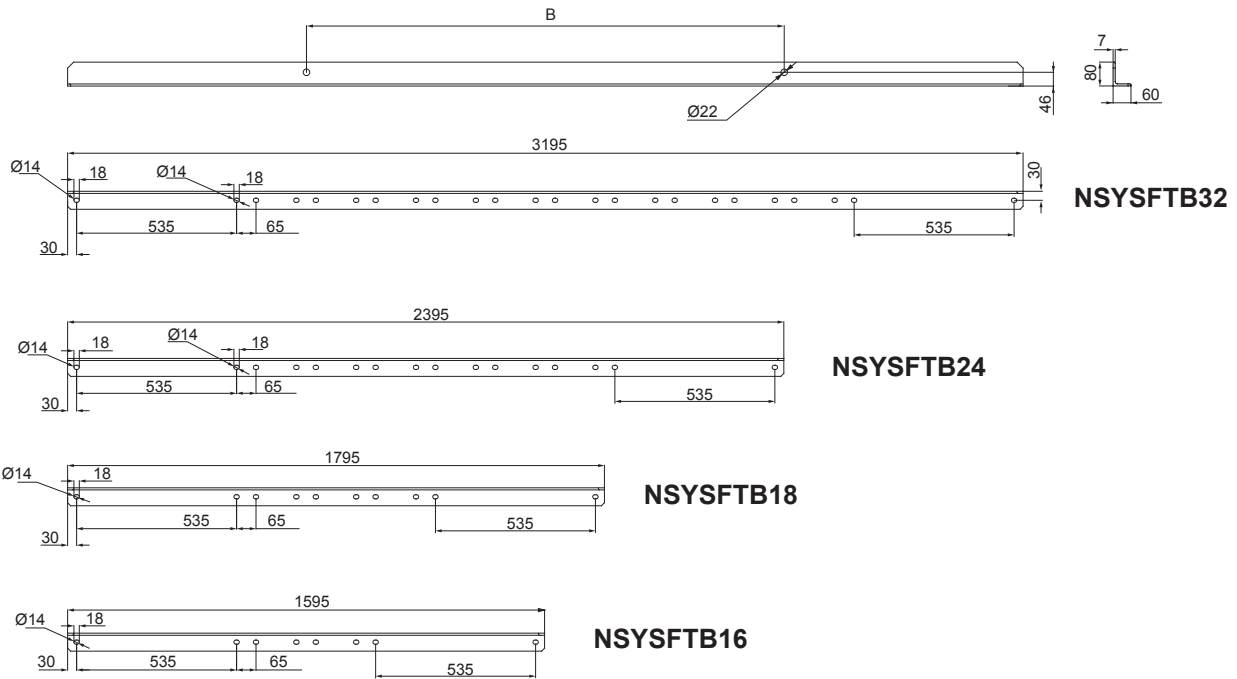
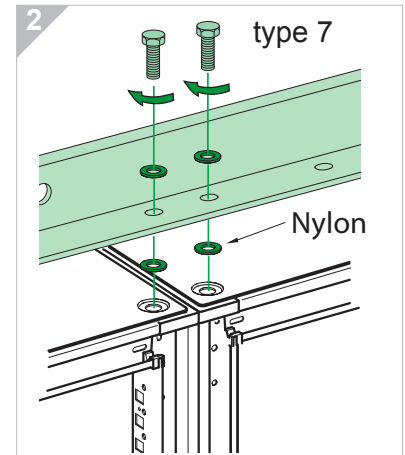
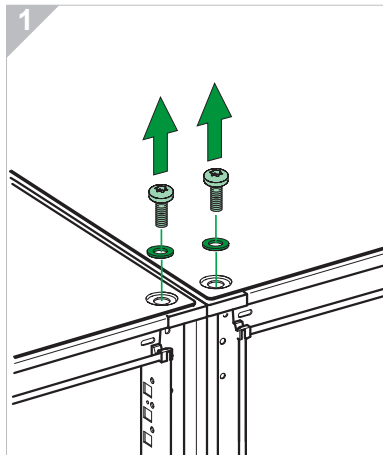
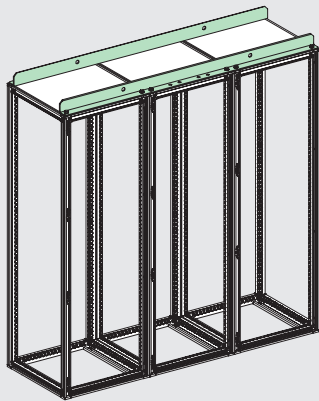
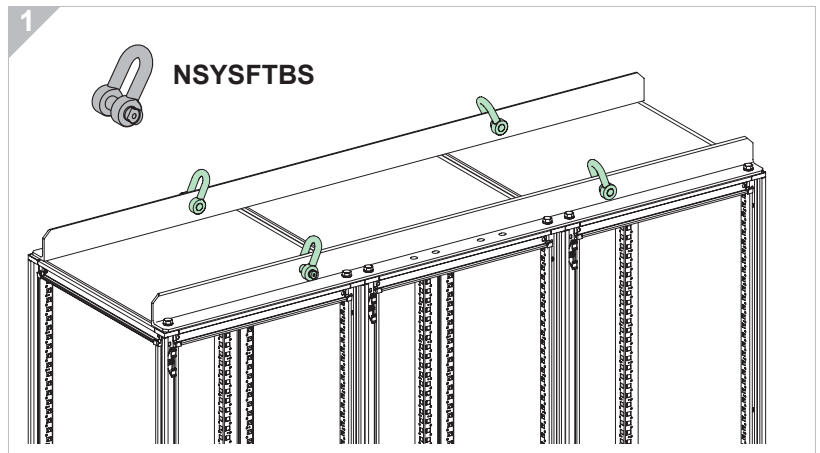
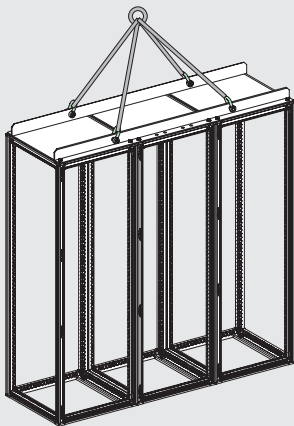
a = 90°
W < 3000 kg / 6614 lb

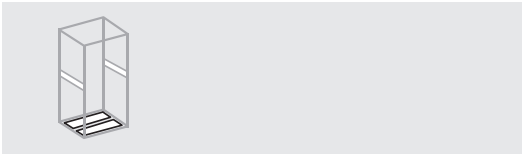


a = 90°
W < 1500 kg / 3307 lb

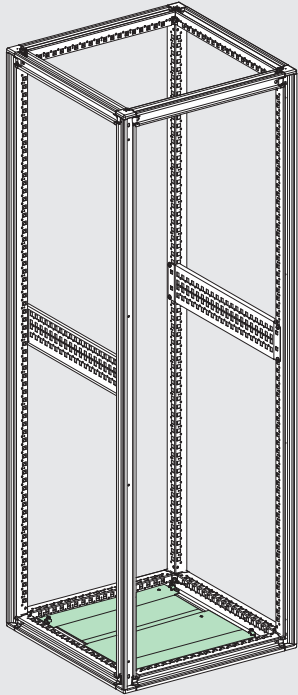


Reference	Length (mm)	Maximum load (kg)	B (mm)	Maximum amount of assembled enclosures to be lifted
NSYSFTB16	1595	2000	800	2
NSYSFTB18	1795	3000	900	3
NSYSFTB24	2395	3000	1200	4
NSYSFTB32	3195	4000	1600	5

**A****B**

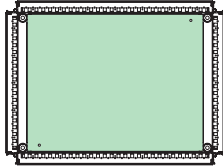


A

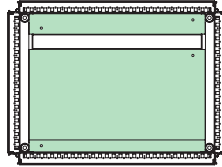


i

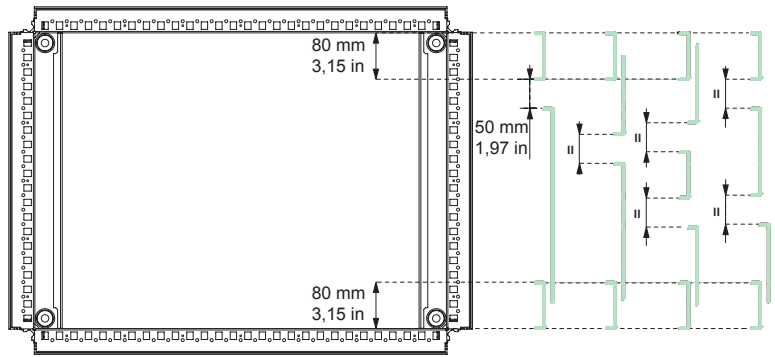
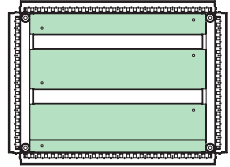
NSYECxx



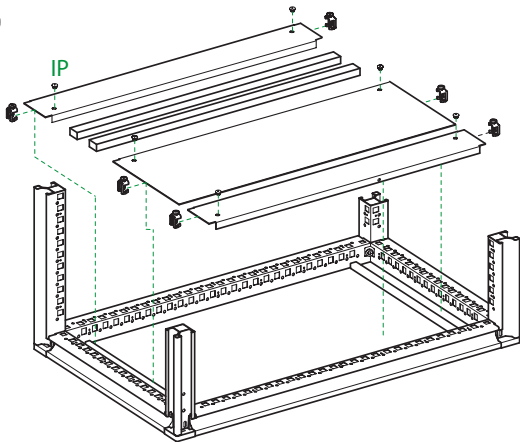
NSYECxx1



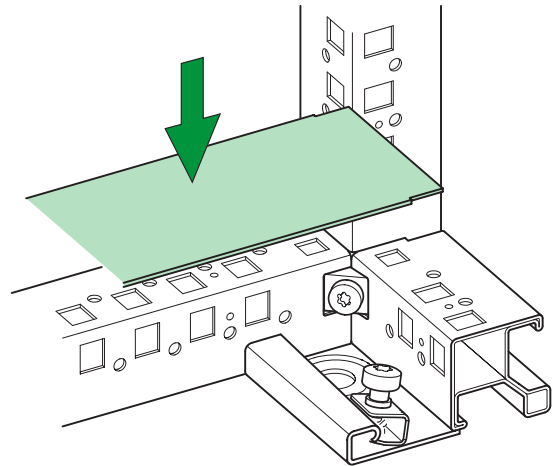
NSYECxx2



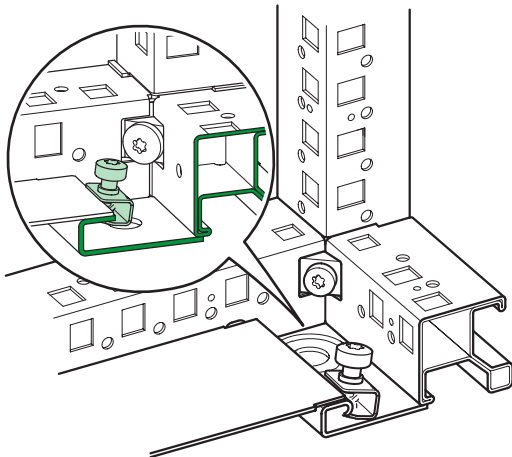
i



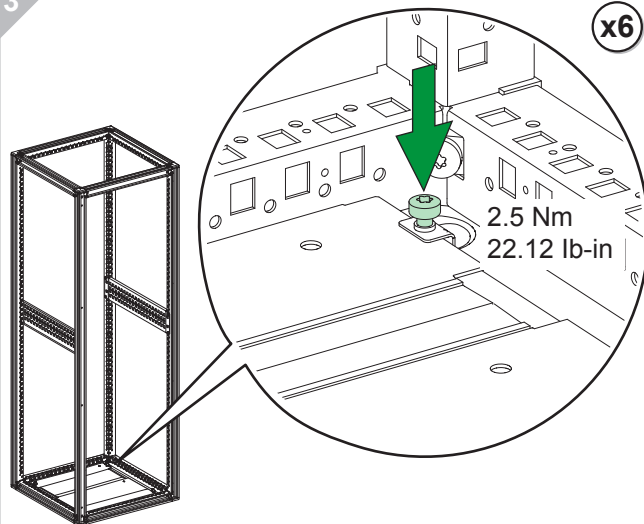
1



2



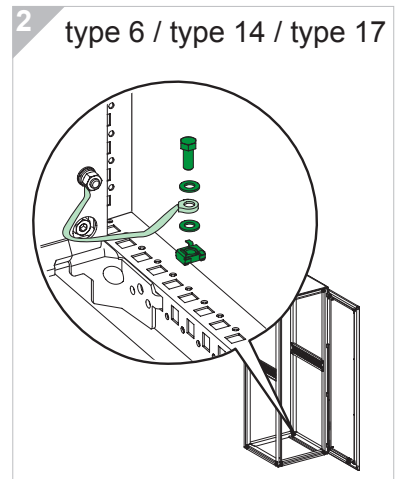
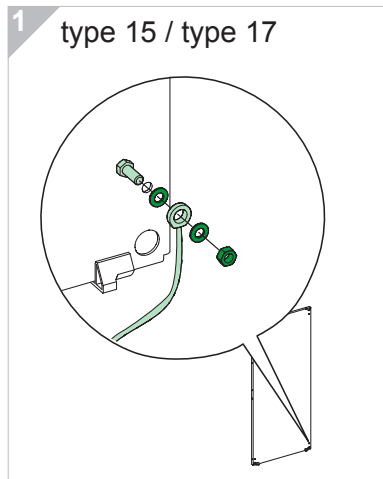
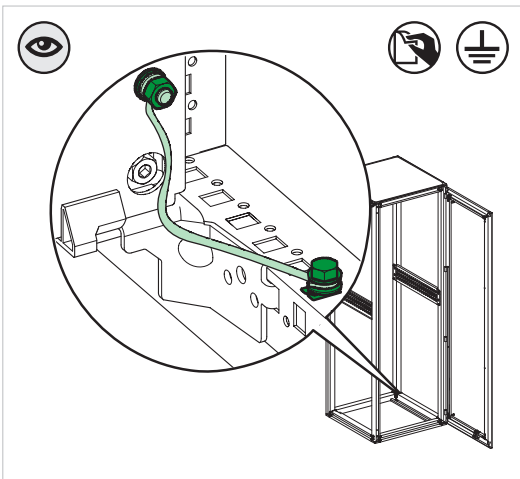
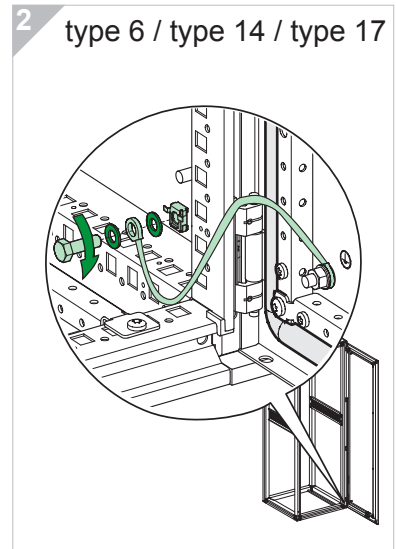
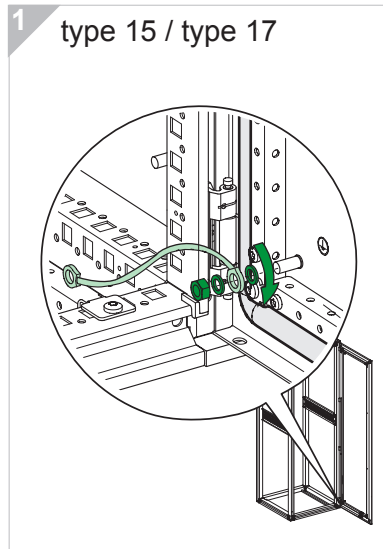
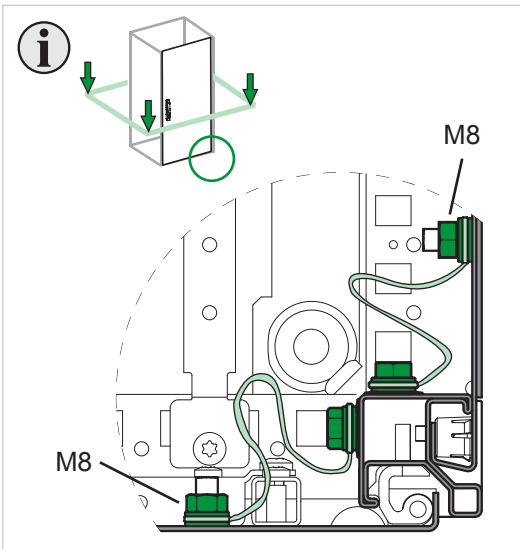
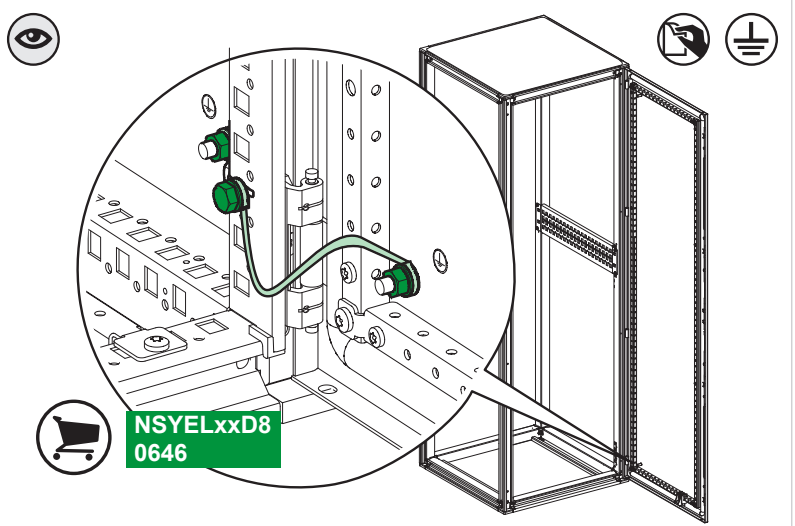
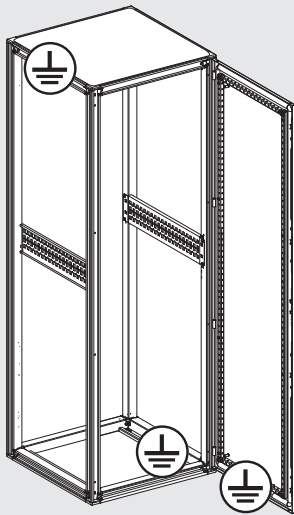
3

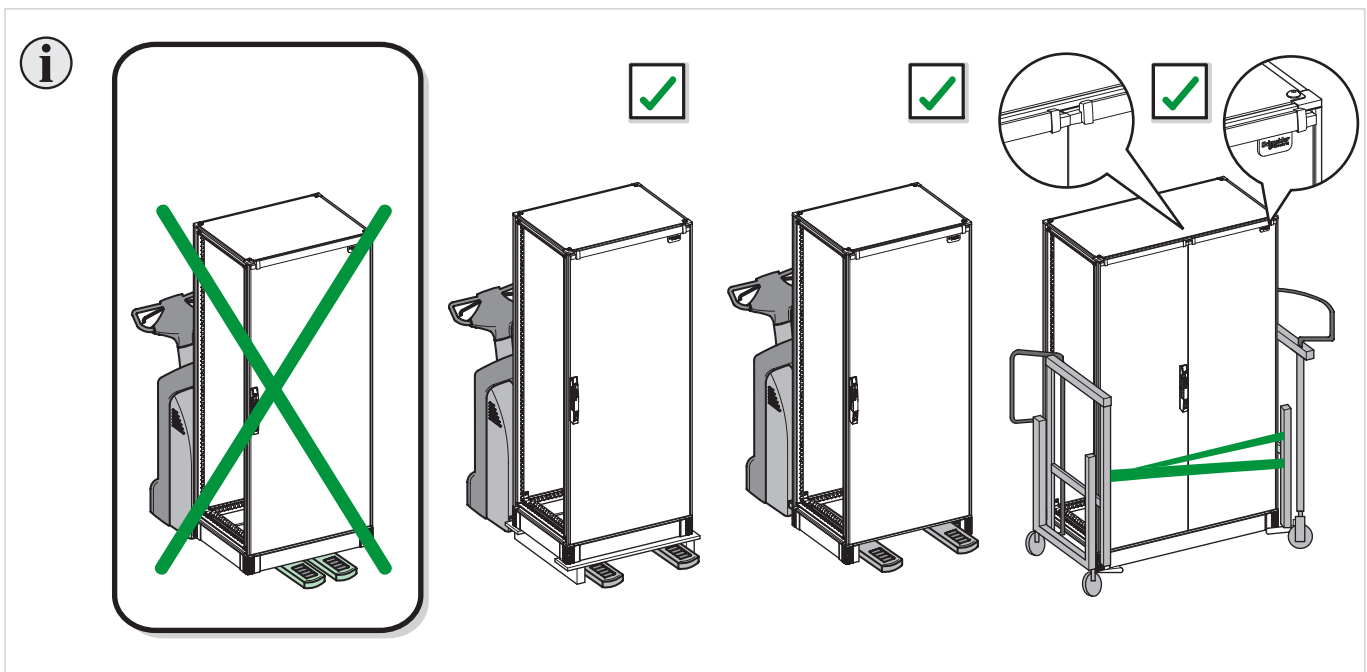
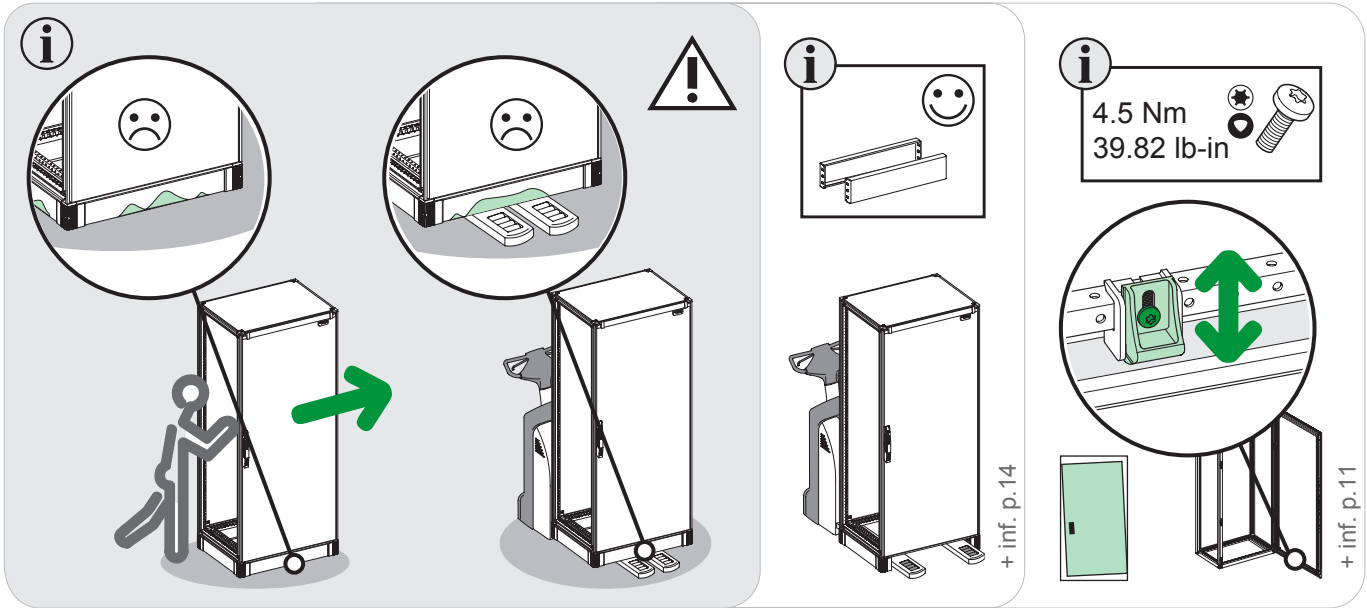




NSYELxxD8
0646

A





Schneider Electric Industries SAS

35, rue Joseph Monier
CS 30323
F- 92506 Rueil Malmaison Cedex

RCS Nanterre 954 503 439
Capital social 896 313 776 €
www.schneider-electric.com

7314010001-13

© 2016 - Schneider Electric - All rights reserved.

En raison de l'évolution des normes et du matériel, les caractéristiques indiquées par les textes et les images de ce document ne nous engagent qu'après confirmation par nos services.

As standards, specifications and designs change from time to time, please ask for confirmation of the information given in this publication.

Publication : Schneider Electric
Réalisation : Schneider Electric
Impression :



*Ce document a été imprimé sur du papier écologique.
This document has been printed on ecological paper.*

Released for Manufacturing
Printed on 2016/10/05