

Low Voltage
Basse Tension
Baja Tensión
Низкое напряжение

VarSet

Installation and operation manual

Guide d'installation et de mise en service

Guía de instalación y de puesta en servicio

Руководство по монтажу и эксплуатации

Enclosures with Detuned Reactors

Batteries avec Self anti-harmonique

Batería con Inductancias antiarmónicas

Установки есть дросселей.

VLVAF2P, VLVA3P, VLVA5P, VLVA6P, VLVA8P, VLVFF2P



Energy
Efficiency



Immediate
Saving

General contents Sommaire général Indice general Общее содержание

en

English 3

fr

Français 43

es

Español 83

ru

Русский 123

Safety instructions	4
<hr/>	
General points	6
Introduction	6
List of documents and accessories supplied	7
Technical characteristics	8
Dimensions and weights of the equipment	11
Architecture diagram	13
Characteristics of the installation premises	14
Characteristics of the installation upstream of the equipment	17
Characteristics of customer cables and connection capacities	18
<hr/>	
Installation	22
Reception and handling of the equipment	22
Unpacking of the equipment	23
Storage of the equipment	24
Connection methods	28
Electrical connections	29
Power-up	36
Controller set up	38
<hr/>	
Operation	40
Controller management	40
<hr/>	
Maintenance	41
Preventive and corrective maintenance	41

Important information

Please read these instructions carefully and examine the equipment to become familiar with its operation before installing or servicing it. The following special messages that you will come across in this document or on the device are designed to warn you about potential hazards or draw your attention to information that will clarify or simplify a procedure.



The addition of one of these two symbols to a "Danger" or "Warning" safety label indicates that there is an electrical hazard that can result in injury if the instructions are not followed.



This is the safety warning symbol. It warns you of potential risks of personal injury. You must comply with all safety messages that follow this symbol in order to avoid the risk of injury or death.

DANGER

DANGER indicates an imminently hazardous situation which, if not avoided, **will result** in death or serious injury.

WARNING

WARNING indicates a potentially hazardous situation which, if not avoided, **can result** in death or serious injury.

CAUTION

CAUTION indicates a potentially hazardous situation which, if not avoided, **can result** in minor or moderate injury or equipment damage.

NOTICE

NOTICE is used to address practices not related to physical injury. The safety alert symbol is not used with this signal word.

NOTE: Provides additional information to clarify or simply a procedure.

Please note

Electrical equipment should be installed, operated, serviced and maintained only by qualified personnel. Schneider Electric will not accept any liability for consequences arising from the use of this material.

A qualified person is a person who has the skills and know-how relating to the construction, installation and operation of electrical equipment and who has received a safety training which enables him to recognize and avoid risks.

Before you begin

- This manual cannot be used to define or determine the suitability or reliability of these products for specific user applications. It is the duty of any such user or integrator to perform the appropriate and complete risk analysis, evaluation and testing of the products with respect to the relevant specific application or use thereof.
- When devices are used for applications with technical safety requirements, the relevant instructions must be followed.

DANGER

HAZARD OF ELECTRICAL SHOCK, EXPLOSION OR ARC FLASH

- Apply appropriate personal protective equipment (PPE) and follow safe electrical work practices. See NFPA 70E, CSA Z462 or equivalent local standards.
- This equipment must only be installed and serviced by qualified electrical personnel.
- Turn off all power supplying this equipment before working on or inside equipment.
- Always use a properly rated voltage sensing device to confirm power is off.
- Before touching any live parts, allow at least 5 minutes for the equipment to self-discharge and then short-circuit each capacitor terminal together and ground.
- Put back in place all devices, doors and covers before turning on power to this equipment.

Failure to follow these instructions will result in death or serious injury.

- The equipment is factory-assembled and does not require any action during the installation except those indicated below.

CAUTION

RISK OF DEGRADATION OF EQUIPMENT PERFORMANCE

Do not modify the mechanical or electrical parts.

Failure to follow this instruction can result in minor or moderate injury or equipment damage.

CAUTION

RISK OF BURNS

During operation and for a few minutes after stopping, equipment components may be very hot.

Before any intervention, check that metal parts have cooled down sufficiently to be touched.

Failure to follow this instruction can result in minor or moderate injury or equipment damage.

You have just received your low voltage energy-efficiency equipment designed and manufactured by Schneider Electric. To help you make the best use of it, we have prepared this manual with the utmost care. It provides all the information you need to prepare for the installation, to install and operate your equipment.

We urge you to read it attentively and follow its recommendations.

■ No part of this document may be reproduced in any form or by any means, whether electronic or mechanical, including photocopying, without the express written authorisation of Schneider Electric.

■ All relevant local, regional and national regulations must be complied with when installing and using this product.

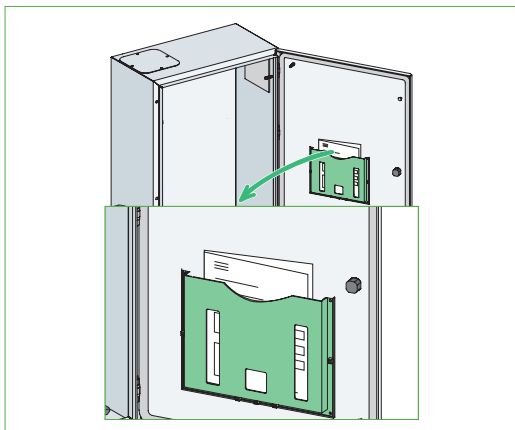
■ For safety reasons and in order to guarantee compliance with documented system data, only the manufacturer is authorised to carry out repairs on the components.

■ If you have any suggestions for improving this publication, do not hesitate to inform us using the contact details given at the end of this manual.



List of documents and accessories supplied

DB413951.eps



Documents

Reception guide: unpacking, handling, storage (available on the package).

In the document holder on the inside of the equipment door, you will find the following documents:

- Installation and operation manual
- Maintenance guide
- Power circuit diagram
- Auxiliary circuit diagram
- Auxiliary terminal connection diagram
- Technical data sheet
- The controller simplified user manual (user manual of controller VarPlus Logic are to download on the website www.schneider-electric.com)
- Main incoming protection circuit breaker manual (depending on model).

Once the installation is complete, it is recommended to keep this manual in the document holder provided, on the inside of the equipment door.





Standard:
IEC 61439-1/2

Standard:
IEC 61921

Standard:
IEC 60831-1/2

General characteristics

- Voltage, frequency, power, as per rating plate
- Insulation voltage: up to 800 V (depending on model)
 - 50 Hz, 1 min withstand: 2.5 kV.
- Permissible rated short-time current: 50/65 kA (depending on model).
- Communication: Modbus RS485 2 wires.
- Auxiliary power supply: 220/230 V 50/60 Hz.
- IP protection rating: IP31/IP54 (depending on model).
- Equipped with generator set (terminals Xa1 - Xa2).
- Colour:
 - cubicle: RAL 7035
 - base: RAL 7022.
- Compliant with IEC 61439-1/2 and IEC 61921.
- IK10.
- Contact for capacitor bank alarm annunciation (terminals XA3 - XA4).

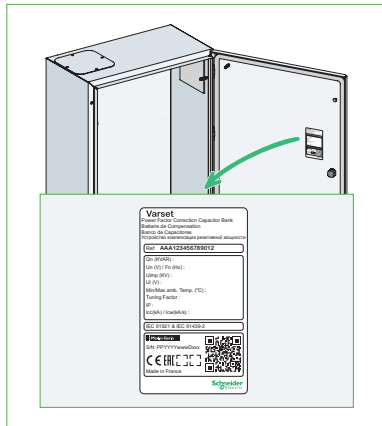
Characteristics of the capacitors

- Design voltage: 480V
- Rating tolerance: -5 to +10 %.
- Permissible voltage overload (8 hours out of 24 hours as defined in IEC 60831-1/2): 10 %.
- Maximum over current: 1,8 In

Operating limits

- Indoor use only.
- Power supply: 400 V/50 Hz - 400 V/60 Hz - 415 V/50 Hz.

Rating plate



Location of the rating plate.

Varsset
Power Factor Correction Capacitor Bank
Batterie de Compensation
Banco de Capacitores
Устройство компенсации реактивной мощности

Ref: **AAA123456789012**

Qn (KVAR) :
Un (V) / Fn (Hz) :
Uimp (KV) :
Ui (V) :
Min/Max amb. Temp. (°C) :
Tuning Factor :
IP :
Icc(kA) / Icw(kA/s) :

IEC 61921 & IEC 61439-2

Merlin Gerin
S/N: PPyYYywwDxxx

CE EAC [] [] [] []
Made in France

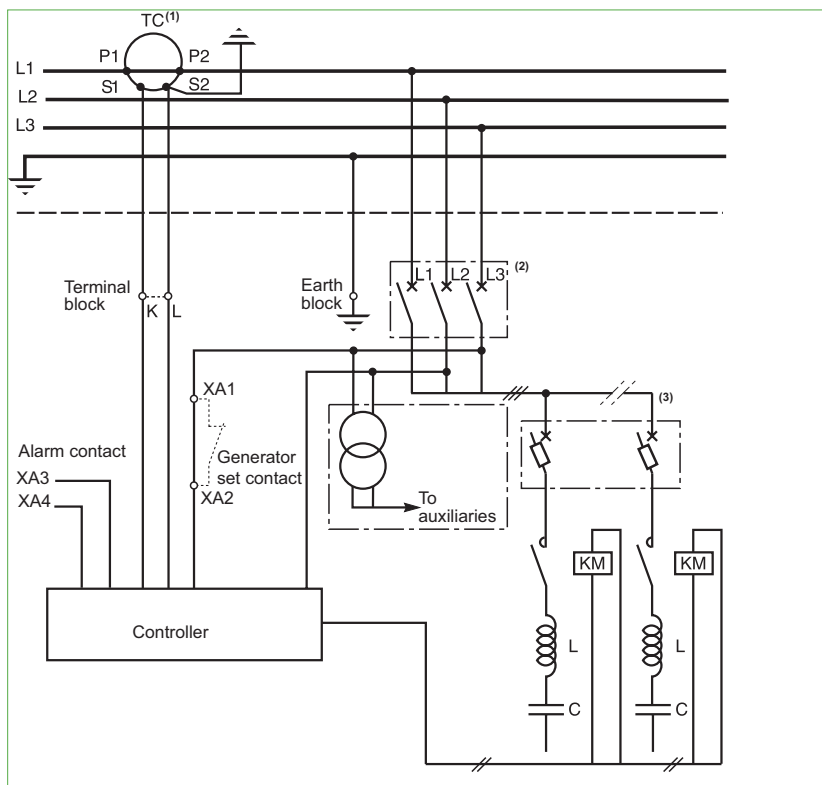
Schneider Electric

Composition of the equipment

Type	Circuit breaker	Detuned reactor	Wiring diagrams
VLVAF2P, VLVAF3P, VLVAF5P, VLVAF6P, VLVAF8P, VLVFF2P	with/without	with	

Wiring diagrams

VLVAF2P, VLVAF3P, VLVAF5P, VLVAF6P, VLVFF2P

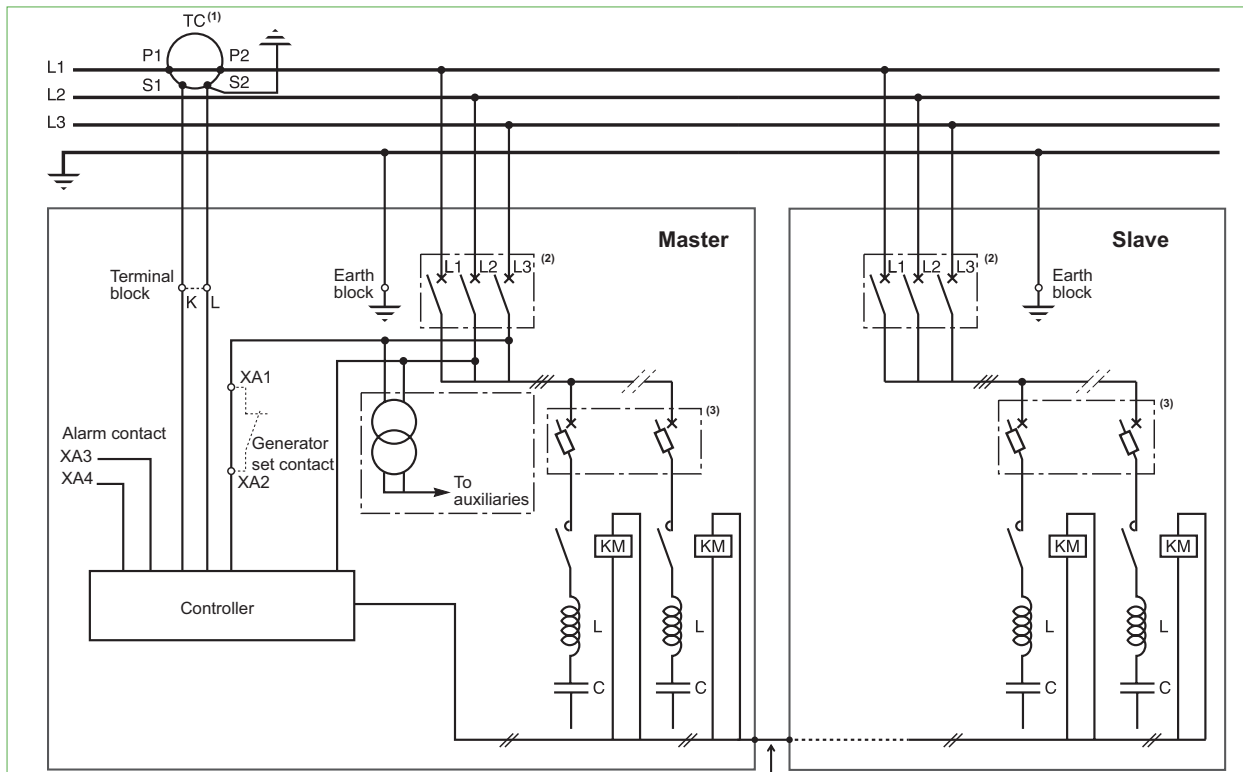


- (1) Not supplied by Schneider Electric.
- (2) For variant with incoming circuit breaker.
- (3) Fuses could be replaced by CB in option



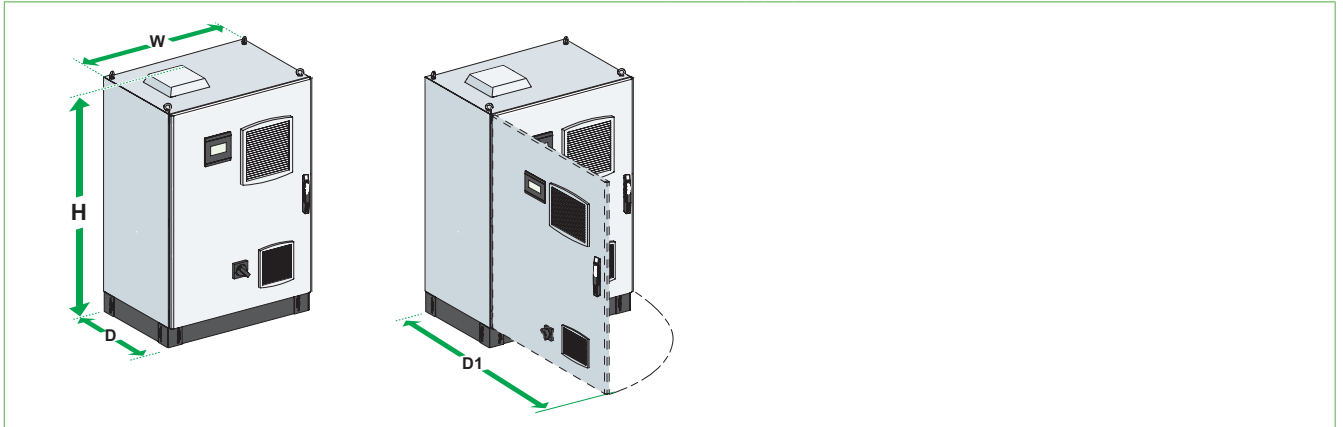
Wiring diagrams

VLVAF8P

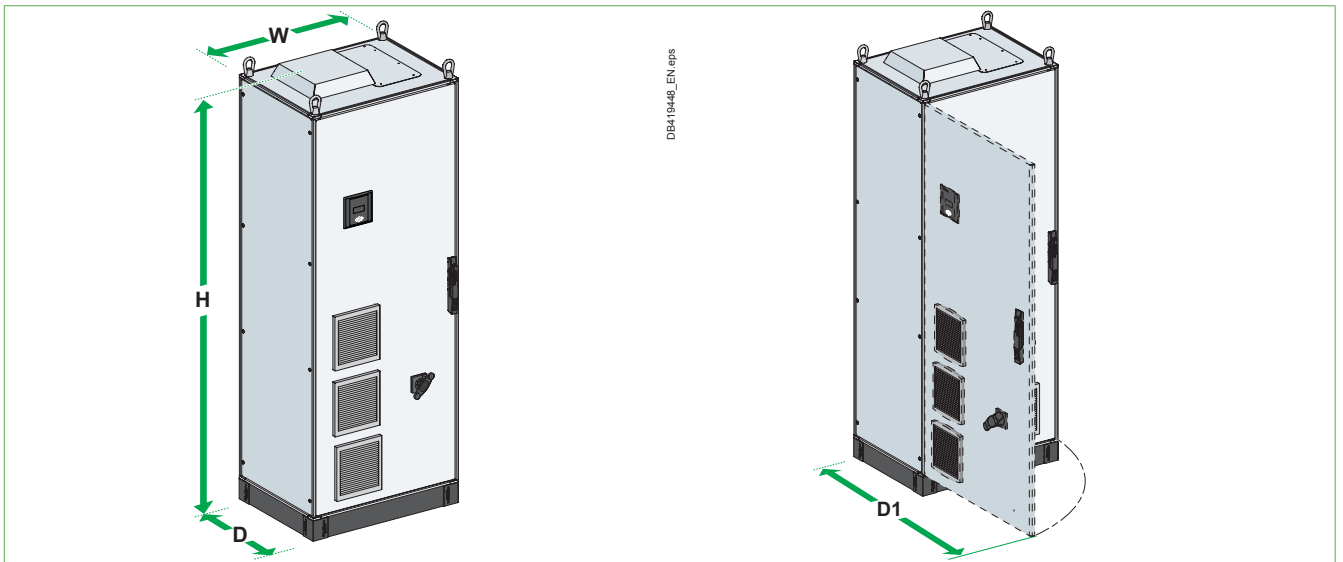


- (1) Not supplied by Schneider Electric.
- (2) For variant with incoming circuit breaker.
- (3) Fuses could be replaced by CB in option

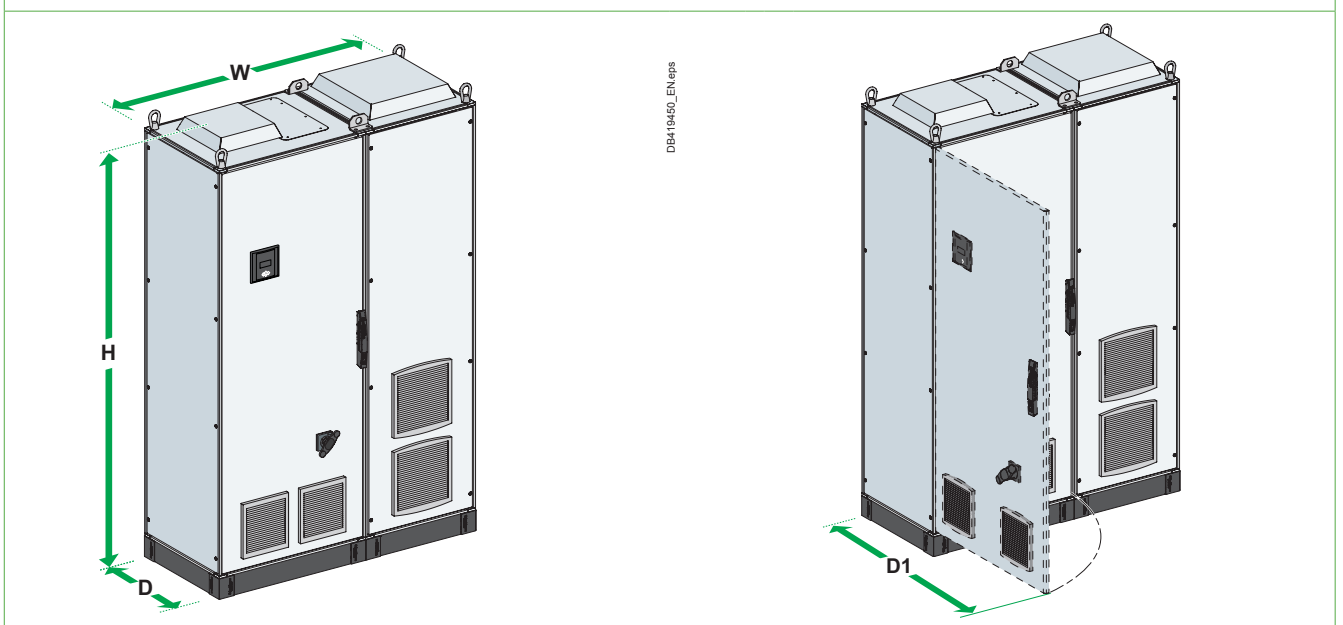
VLVAF2P and VLVF2P cubicles



VLVAF3P and VLVA5P cubicles

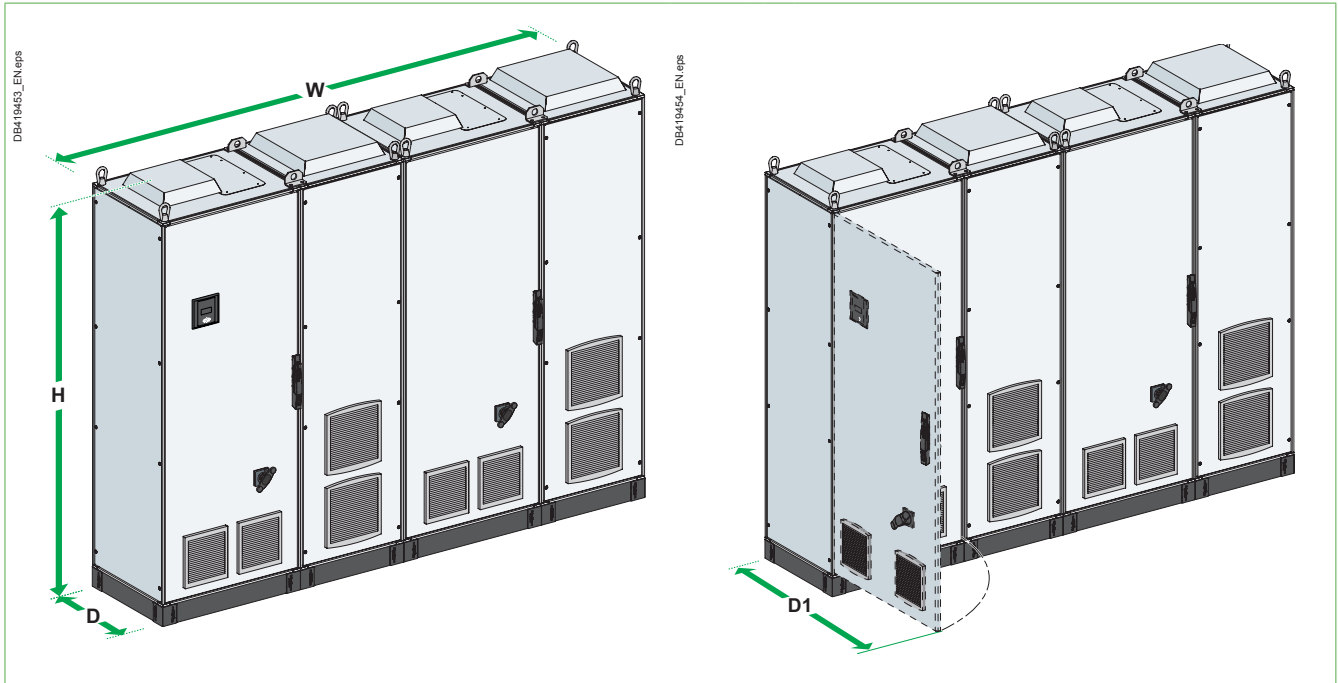


VLVAF6P cubicle



Dimensions and weights of the equipment

VLVAF8P cubicle

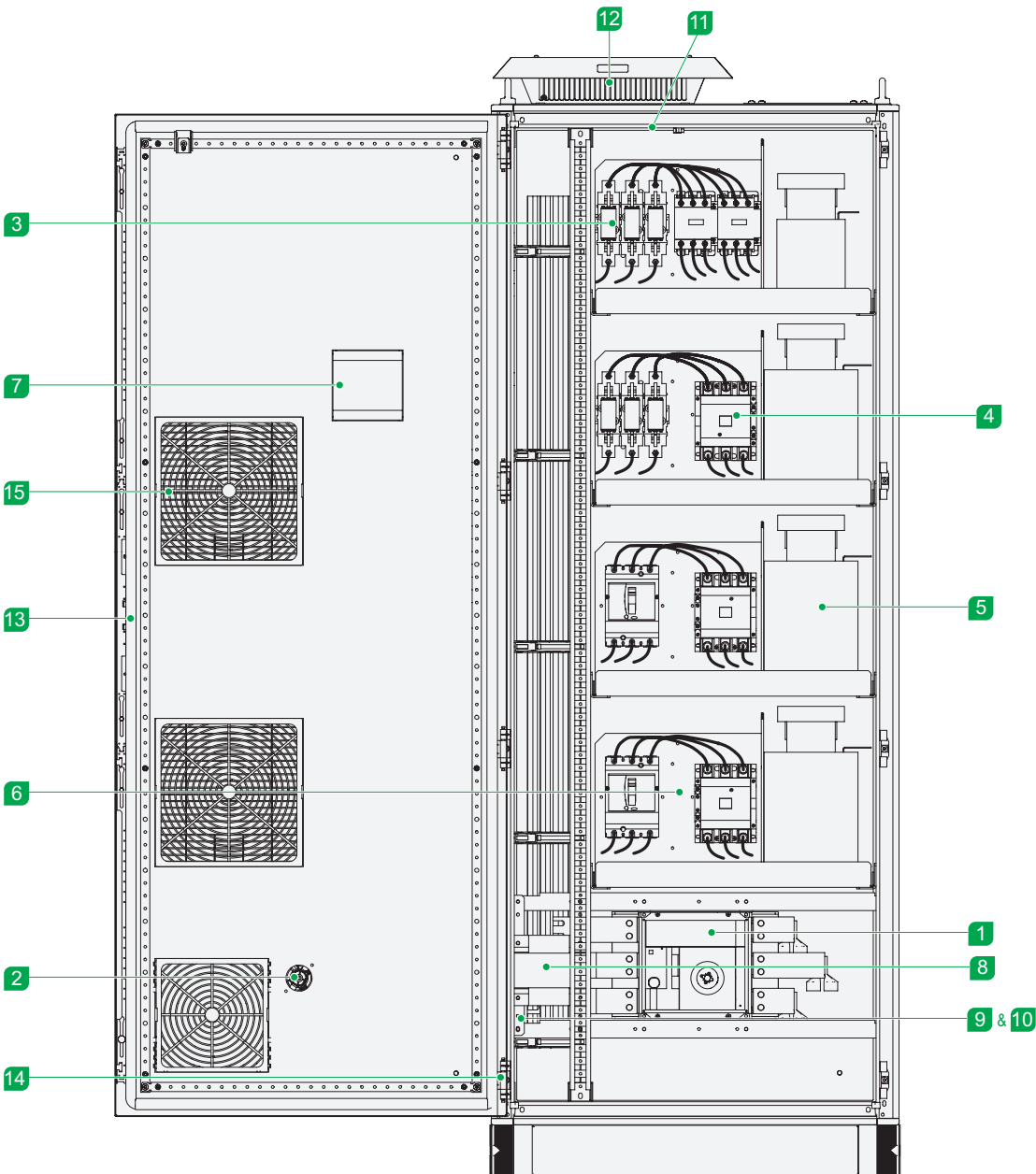


Dimensions (mm) and maximum weight (kg)

Type	Enclosure					
	VLVFF2P	VLVAF2P	VLVAF3P	VLVAF5P	VLVAF6P	VLVAF8P
H	1400	1400	2000	2200	2200	2200
W	800	800	800	800	1400	2800
D	600	600	600	600	600	600
D1	1361	1361	1361	1361	1361	1361
Weight	320	350	400	450	952	1904

Typical architecture

DB419499_EN.eps



- | | |
|--|--|
| <ul style="list-style-type: none"> 1 Main incoming circuit breaker 2 Rotary handle 3 Step protection circuit breakers 4 Contactors 5 Detuned reactors 6 Capacitors 7 Varlogic controller 8 Auxiliary circuit transformer | <ul style="list-style-type: none"> 9 Auxiliary circuit protection circuit breakers 10 Auxiliary circuit terminal block 11 Thermostats 12 Ventilators 13 Locks 14 Earthing 15 Ventilation grills 16 Linergy |
|--|--|



Characteristics of the installation premises



General characteristics

- Temperatures:
 - maximum temperature: 45 °C
 - average temperature over 24h : 35 °C
 - minimum temperature: -5 °C.
- Ventilation: place the equipment in well-ventilated premises
- Pollution:
 - degree of pollution 2 (IEC 61010-1).
- Humidity: ≤ 95 %.
- Altitude: ≤ 2,000 m.

⚡ ⚠ DANGER

HAZARD OF ELECTRIC SHOCK, EXPLOSION OR ARC FLASH

- Do not install the equipment in a dirty or dusty environment regardless of the type of dirt or dust.
- Do not install the equipment in areas where risks of fluid leakage are probable (passage of pipelines close to the equipment, etc.).
- Do not install this equipment in ATEX-classified areas (explosive atmosphere).

Failure to follow these instructions will result in death or serious injury.

⚠ WARNING

RISK OF HEATING INSIDE THE EQUIPMENT

Do not install the equipment on heated floors (underfloor heating, heating elements, heating pipes for heat transfer fluids).

Failure to follow these instructions can result in death, serious injury or equipment damage.

Operating limits

- Indoor use only.
- Power supply:
 - mains supply voltage fluctuations: -10 % to +10 % of the nominal voltage
 - Transient overvoltage for the mains supply: installation category III (IEC 61010-1)
 - distortion and harmonics:
 - 4 % < THDu ≤ 7 %
 - or
 - 25 % < Gh/Sn ≤ 50 %

Cleanliness

- The place where the equipment is to be installed must be clean.
- As the equipment is highly sensitive to dust, it is recommended to apply an anti-dust paint on the floor in order to limit the risk of dust accumulation inside the equipment.

Other operating conditions

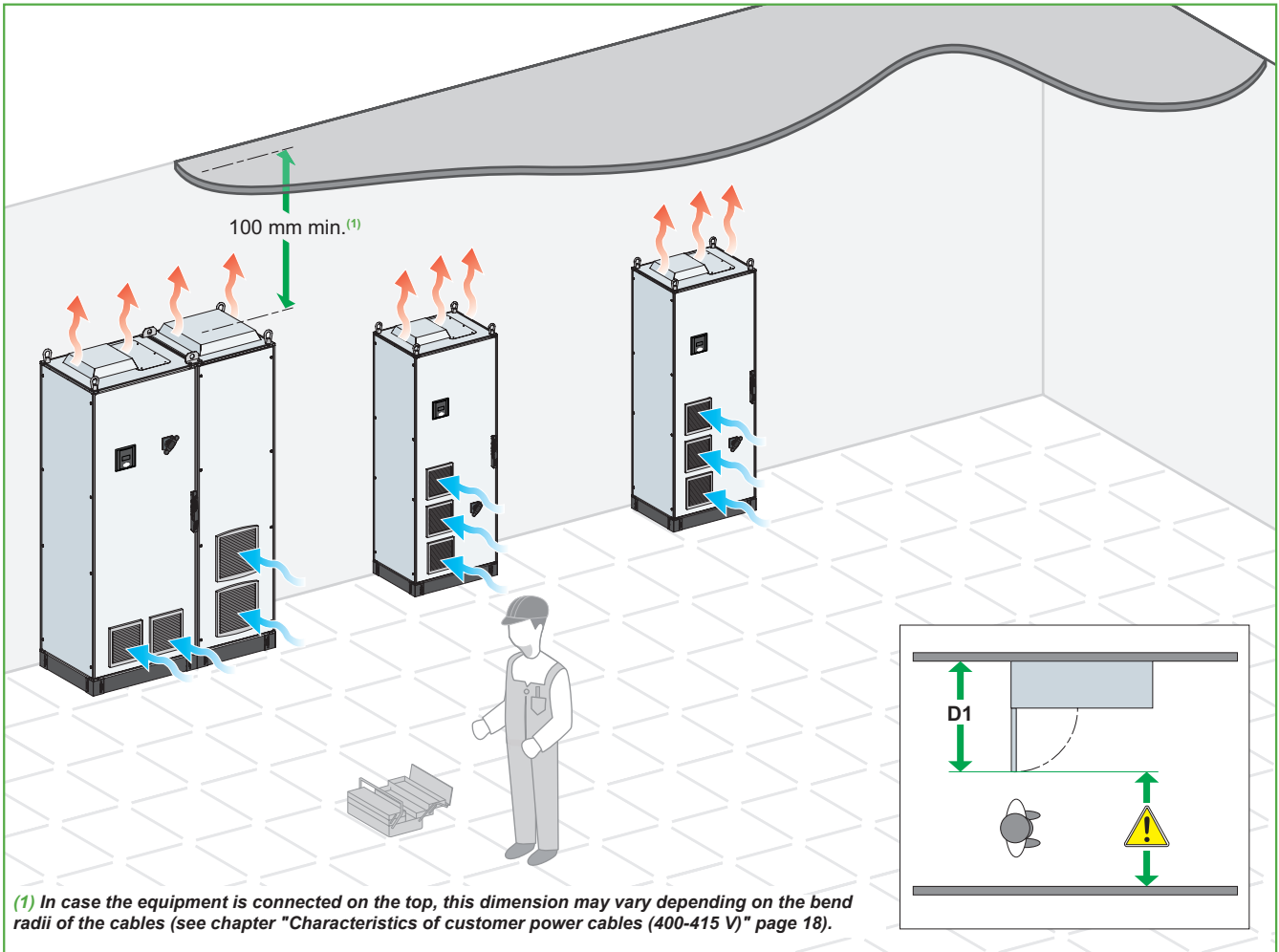
For any installation not compliant with these characteristics, please contact Schneider Electric.

Characteristics of the installation premises

Free space around the equipment

Provide:

- space necessary for the proper ventilation of the equipment
- sufficient space for incoming low-current and high-current cables
- sufficient space around the equipment for future extensions
- sufficient space for maintenance operations
- sufficient space for opening the doors
- free space near the air inlets and outlets.



⚠ WARNING

RISK OF HEATING INSIDE THE EQUIPMENT

- Provide the minimum spacing distances specified around the ventilation inlets and outlets.
 - Provide a spacing of at least 200 mm between 2 ventilation outlets located opposite each other.
 - Do not place any heat source opposite a ventilation inlet.
- Failure to follow these instructions can result in death, serious injury or equipment damage.**

⚠ WARNING

RISK OF OBSTRUCTING ESCAPE ROUTES

Provide the safety distances to allow passage in the event of evacuation of the premises, in accordance with applicable regulations.

Failure to follow these instructions can result in death, serious injury or equipment damage.

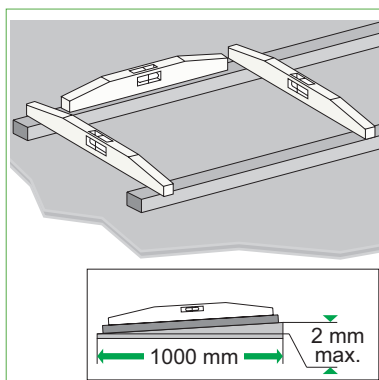
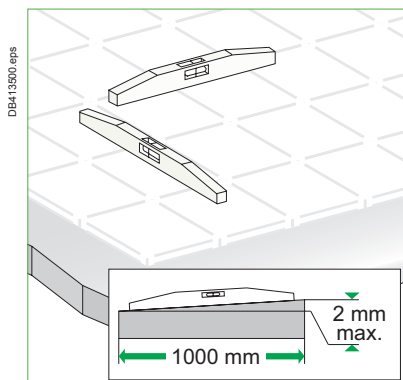
Characteristics of the installation premises

Characteristics of floors

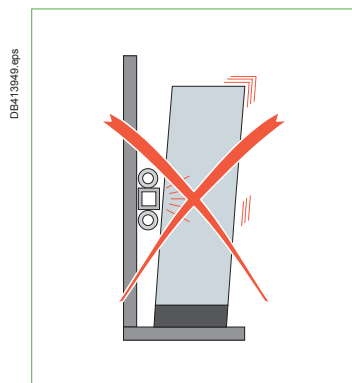
The floor must be as level as possible. The accepted tolerance is ± 2 mm/m. If not, use U-, T-, I-shaped section supports while checking that these are upright and level in both directions.

Preparation of floors

Evenness and horizontality of the floors

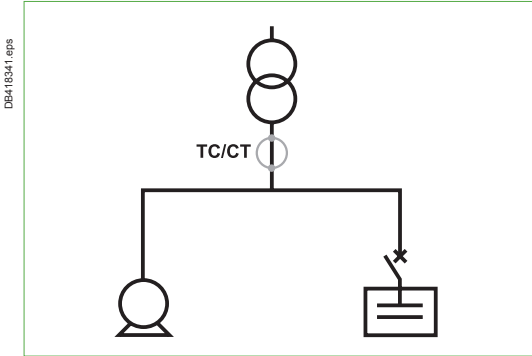


Evenness of the walls



No element must press against the rear side of the equipment.

Characteristics of the installation upstream of the equipment



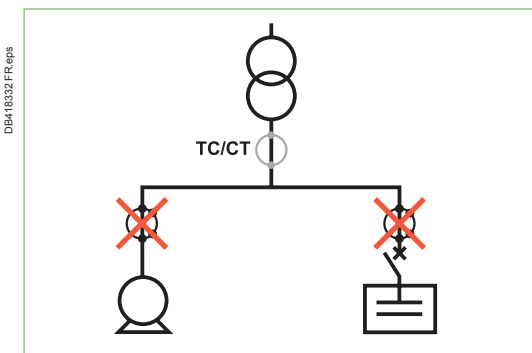
Protection upstream of the equipment.

Protection upstream of the equipment

You must protect your upstream equipment using a suitable protective device.

This device allows you to:

- lockout your equipment
- protect your installation from the main switchboard of your equipment
- connect the high temperature alarm with this upstream protective device in case of a fixed power factor correction version without a main protection circuit breaker included.



Location of the CT on the power circuit.

Current measurement for automatic power factor correction

Characteristics of the current transformer

- Ensure it has a 1 A or 5 A secondary (5 A is preferred)
- Ensure it has a power rating greater than 10 VA.
- Ensure that the CT's class is c1.

Location of the current transformer

- You must install the CT upstream of the equipment and the receivers (motors, etc.) ; see diagram on the left.

Do not make any branching

The current transformer must be dedicated to the equipment.

- Risk of sending incorrect information to the controller.
- Risk of losing the advantage of using the equipment.

Current transformer secondary earth connection

The current transformer must be connected to earth. Refer to the manufacturer's instructions to ensure proper installation.

Characteristics of customer cables and connection capacities

Characteristics of customer power cables (400-415 V)

Recommended cable type: 1000 V, 105 °C.

The cables must be sized for a current of 1.5 In minimum.

The cross-sections given in the tables are given for information only.

They do not take into account:

- the lengths to be used
- the installation method: cable trays or ducts
- the ambient temperature around the conductor.

⚠ WARNING

RISK OF INSULATION LOSS AND SHORT-CIRCUIT

Size the power cables according to IEC 60439-1 and IEC 61921.

Failure to follow these instructions can result in death, serious injury or equipment damage.

Recommended cross-sections for customer power cables

Frequency Hz	Detuned reactor tuning order	Power kvar	Cable sizing current In A	Min. cross-section of copper connection		Maximal connection capacity					
				no. of cables	mm ²	no. of cables	mm ²	no. of cables	mm ²		
Enclosures											
50	4.2	50	108	1	35	1	120 (*)	2	120		
		75	162	1	70						
		87.5	189	1	95						
		100	216	1	95						
		125	270	1	120						
		137.5	298.5	1	185	2	240	2	240		
		150	325.5	1	185						
		175	379.5	1	240						
		200	433.5	2	150						
		225	487.5	2	150						
		250	541.5	2	185						
		275	595.5	2	185						
		300	649.5	2	240						
		350	757.5	2	240	3	185	3	185		
		400	865.5	3	185						
		450	975	3	185						
		500	1083	3	185	3	240	3	240		
		550	1191	3	240						
		600	1299	3	240						
		700								500kvar + 200kvar	
800				500kvar + 300kvar							
900				500kvar + 400kvar							
1000				500kvar + 500kvar							
1100				500kvar + 600kvar							
1150				500kvar + 600kvar							

Characteristics of customer cables and connection capacities

Recommended cross-sections for customer power cables

Frequency Hz	Detuned reactor tuning order	Power kvar	Cable sizing current In A	Min. cross-section of copper connection		Maximal connection capacity					
				no. of cables	mm ²	no. of cables	mm ²	no. of cables	mm ²		
Enclosures											
50	3.8	50	108	1	35	1	120 (*)	2	120		
		75	162	1	70						
		87.5	189	1	95						
		100	216	1	95						
		125	270	1	150						
		137.5	298.5	1	185	2	240	2	240		
		150	325.5	1	185						
		175	379.5	1	240						
		200	433.5	2	150						
		225	487.5	2	150						
		250	541.5	2	185						
		275	595.5	2	185						
		300	649.5	2	240						
		350	757.5	2	240	3	185	3	185		
		400	865.5	3	185						
		450	975	3	185	3	240	3	240		
		500	1083	3	185						
		550	1191	3	240						
		600	1299	3	240						
								500kvar + 200kvar			
								500kvar + 300kvar			
						500kvar + 400kvar					
						500kvar + 500kvar					
						500kvar + 600kvar					
						500kvar + 600kvar					
50	2.7	50	108	1	35	1	120 (*)	2	120		
		75	162	1	70						
		87.5	189	1	95						
		100	216	1	95						
		125	270	1	150						
		137.5	298.5	1	185	2	240	2	240		
		150	325.5	1	185						
		175	379.5	1	240						
		200	433.5	2	150						
		225	487.5	2	150						
		250	541.5	2	185						
		275	595.5	2	185						
		300	649.5	2	240						
		350	757.5	2	240	3	185	3	185		
		400	865.5	3	185						
		450	975	3	185	3	240	3	240		
		500	1083	3	185						
550	1191	3	240								
600	1299	3	240								

(1) According to the connection accessories used.



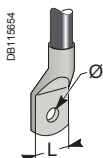
Characteristics of customer cables and connection capacities

Recommended cross-sections for customer power cables

Frequency Hz	Detuned reactor tuning order	Power kvar	Cable sizing current In A	Min. cross-section of copper connection		Maximal connection capacity			
				no. of cables	mm ²	no. of cables	mm ²	no. of cables	mm ²
Enclosures									
60	4.2	100	216	1	95	1	120 (*)	2	120
		150	325.5	1	185	2	240	2	240
		200	433.5	2	150				
		300	649.5	2	240	3	185	3	185
		400	865.5	3	185	2	240	2	240
		500	1083	3	185	3	240	3	240
		600	1299	3	240				
	3.8	100	216	1	95	1	120 (*)	2	120
		150	325.5	1	185	2	240	2	240
		200	433.5	2	150				
		300	649.5	2	240	3	185	3	185
		400	865.5	3	185	2	240	2	240
		500	1083	3	185	3	240	3	240
		600	1299	3	240				
	2.7	100	216	1	95	1	120 (*)	2	120
		150	325.5	1	185	2	240	2	240
		200	433.5	2	150				
		300	649.5	2	240	3	185	3	185
		400	865.5	3	185	2	240	2	240
		500	1083	3	185	3	240	3	240
		600	1299	3	240				

(*) Max dimension with lugs :

Lugs	L(mm)	≤25
	ø(mm)	8.5



Characteristics of customer cables and connection capacities

Characteristics of the protective earthing conductor

▲ WARNING
RISK OF INSULATION LOSS AND SHORT-CIRCUIT
Size the cross-section of the protective earthing conductor according to IEC 60364-5-54.
Failure to follow these instructions can result in death, serious injury or equipment damage.

Connection capacity of earthing conductor:

- 1 hole for M10 screw

Characteristics of the auxiliary cables

Recommended cable type: 1000 V, 105 °C.

The values are given for information only; the cross-section must be adapted to the environment and cable length.

Device	Cross-section mm ²	Cross-section maxi mm ²	Nbr of terminals	Nbr of conductors per terminal (Flexible/rigid wire)
Current transformer	2.5	4	2	1
Auxiliary protection when the auxiliary transformer is not supplied	2.5	2.5	2	1
Generator set	1	2.5	2	1
Controller alarm	1	2.5	2	1
Temperature alarm	1	2.5	2	1
Cos φ2 control	0.6	1	2	1

For all other cross-sections to be used, please contact Schneider Electric departments.

Equipment necessary for connecting the communication module

Not included in the equipment.

- Recommended wire: Belden 3106A shielded cable AWG22 3 wires.



Reception and handling of the equipment



The addressee is always responsible for the risks and perils of transporting our goods. Schneider Electric declines all responsibility for missing items or damage incurred during the transport of the equipment, and shall not bear the costs thereof. Send your complaints about any damage or missing items by registered mail to the transport company by indicating the reference of the delivery slip.

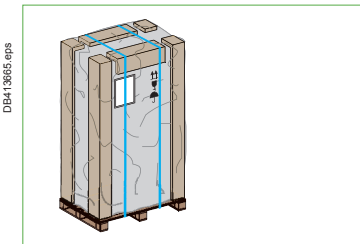
Reception

- Check whether the information on the parcels and the delivery slip matches with that of the purchase order: equipment reference, number of parcels.
- When the equipment arrives, and before any handling it in anyway, make sure that the packing cases and packaging used for transport are in perfect condition.
- Even if a package appears to be in good condition, do not hesitate to start unpacking whilst an authorised agent from the transport company is present (see section unpacking of the equipment below).

▲ WARNING
<p>RISK OF EQUIPMENT MALFUNCTION Do not install the equipment in case of damage. Failure to follow these instructions can result in death, serious injury or equipment damage.</p>

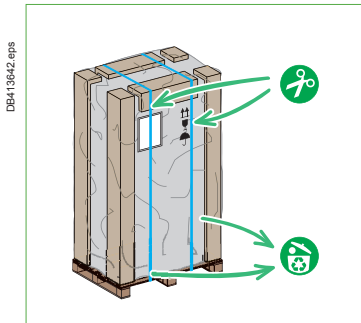
Handling

▲ WARNING
<p>RISK OF FALL OR TILTING OF THE EQUIPMENT DURING HANDLING</p> <ul style="list-style-type: none"> ■ Strictly follow the recommended lifting method and zones (see table below). ■ Take into account the position of the centre of gravity when handling the equipment. ■ Use handling equipment suitable for the dimensions and weight of the equipment. ■ Position the handling equipment correctly. ■ Move the equipment with utmost caution. ■ Check that this position is maintained when moving the equipment. ■ Avoid shocks and deformation to the equipment. <p>Failure to follow these instructions can result in death, serious injury or equipment damage.</p>



Position of the centre of gravity (standard packaging).

All the devices are mounted on pallet and can be handled from underneath. It is preferable to use a forklift.



Unpacking.

- Preferably unpack the equipment where it has to be installed.
- Be careful not to damage the equipment with the tool used for cutting the packaging.

▲ WARNING

RISK OF FALL OR TILT OF THE EQUIPMENT WHILE UNPACKING

- Wear appropriate personal protective equipment (PPE).
 - Handle the equipment with utmost caution.
 - Take into account the label indicating the centre of gravity.
- Failure to follow these instructions can result in death, serious injury or equipment damage.**

- Cut off the links and remove the protective cartons or films.

The packing materials of this device can be recycled. Recycle them and contribute to environmental protection by putting them in appropriate containers. Thank you for doing your part to protect the environment.

- Closely examine the equipment to make sure that its insulation and its ability to operate have not been damaged:
 - absence of broken parts
 - damaged or incorrectly positioned electrical components
 - operation of the door and its lock
 - problem in the internal connections

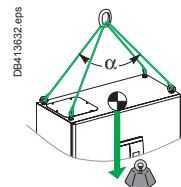
▲ WARNING

RISK OF EQUIPMENT MALFUNCTION

Do not install the equipment in case of damage.
Failure to follow these instructions can result in death, serious injury or equipment damage.

- Remove the equipment from its transport pallet using appropriate mean and according to table below.

Type	VLVAF5N and VLVF7N enclosures
Angle	Solution 1 ⁽¹⁾ ⁽²⁾



(α)	Maximum weight (kg)
45°	1160
60°	830
90°	480

(1) Take necessary precautions while lifting to avoid tilting the equipment (see indicated position of the centre of gravity).

(2) In case slings are used, it is advisable to use all the hoisting rings on the equipment.

Storage

NOTICE

RISK OF EQUIPMENT DAMAGE

- Store the equipment in a dry and well-ventilated place, sheltered from rain, bad weather and dust.
- If the equipment is stored pending its installation, make sure that the storage temperature ranges between -20 and 40 °C.
- Do not store the equipment outdoors, even if covered by a tarp.
- The equipment must preferably remain packed until final installation.

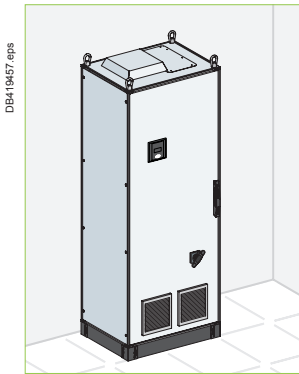
Failure to follow these instructions can result in equipment damage.

⚠ WARNING

RISK OF TILTING OF THE ENCLOSURE

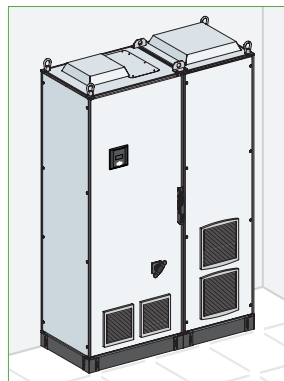
- Fix the equipment using the fixing points indicated below.
- Use fasteners adapted to the type of support and the weight of the equipment (see "Dimensions and weights of the equipment", page 11).

Failure to follow these instructions can result in death, serious injury or equipment damage.



DB413847.eps

VLFFF2P, VLVA2Pz, VLVA3P, VLVA5P

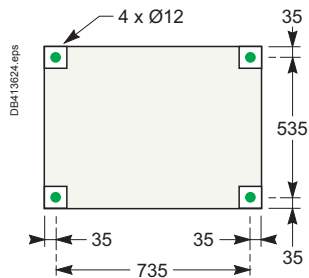


DB413848.eps

VLVA6P

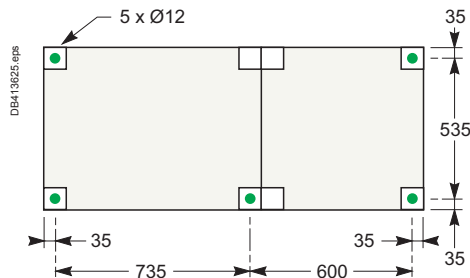
Floor-standing dimensions (mm)

VLFFF2P, VLVA2P, VLVA3P, VLVA5P



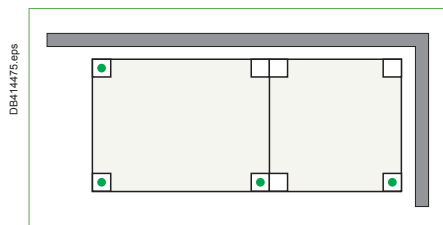
DB413824.eps

VLVA6P



DB413825.eps

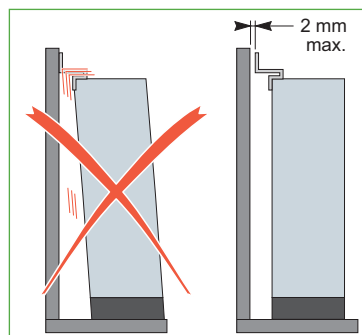
Corner mounting:



DB414475.eps

Key:

- Position of the screw.



Max. authorized gap between wall and top mounting brackets before fastening



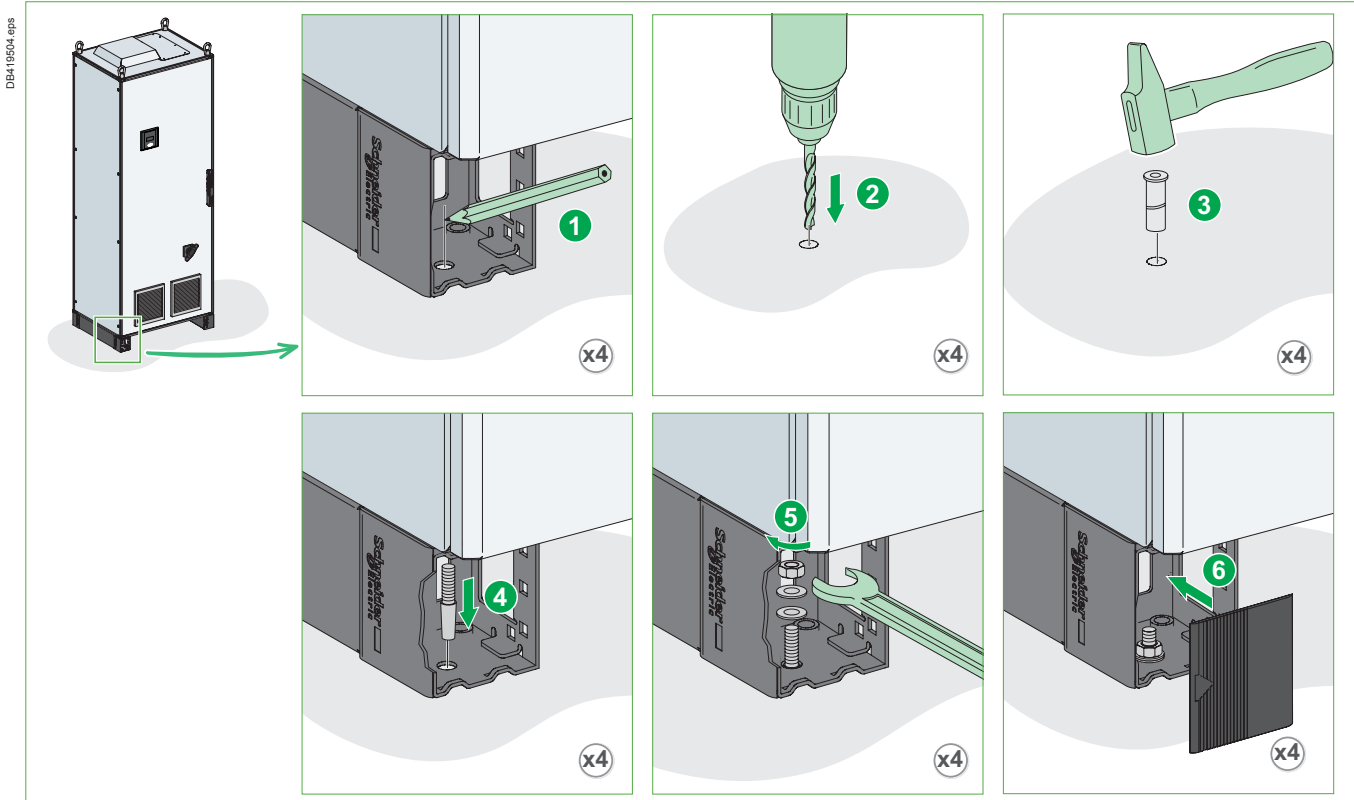
- Position the equipment at the chosen location.
- Unclip the covers from the corners of the base.
- Mark the fixing points; see dimensions above.
- Remove the equipment taking care of the gravity center.
- Drill holes into the floor and position the mounting brackets.
- Position the equipment in its location and tighten the mounting screws.

⚠ WARNING

RISK OF TILTING OF THE CUBICLE

- Fix the equipment using the indicated fixing points.
- Use fasteners adapted to the type of support and the weight of the equipment.

Failure to follow these instructions can result in death, serious injury or equipment damage.



Marking of fixing points on the floor.

Each cabinet must be connected to the main network independently, as per the example showing correct connection. It is prohibited to divert power from the Master equipment to the Slave equipment, as per the example showing prohibited connection. Each item of equipment must be protected by a suitable protective device.

⚠️ ⚠️ DANGER

HAZARD OF ELECTRICAL SHOCK, EXPLOSION OR ARC FLASH

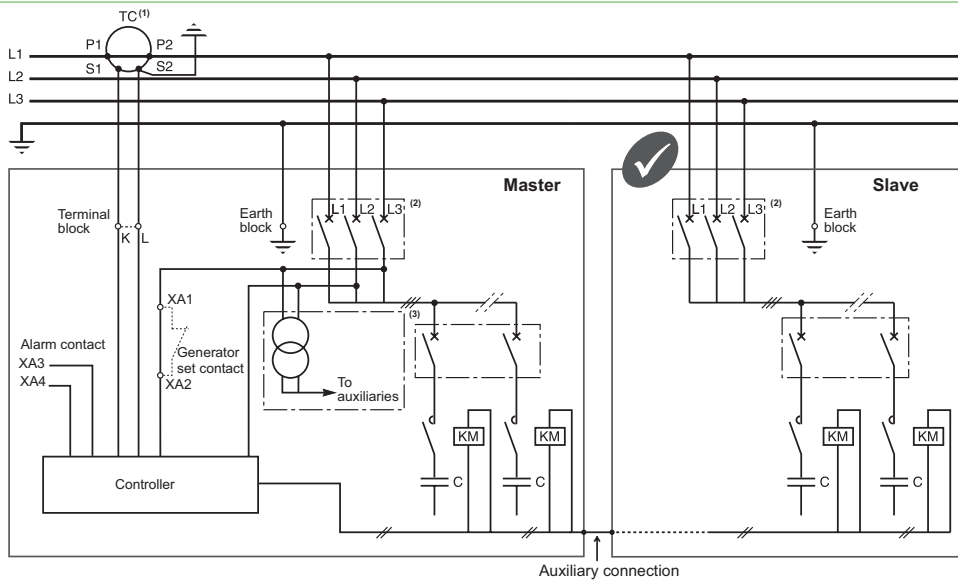
- Apply appropriate personal protective equipment (PPE) and follow safe electrical work practices. See NFPA 70E, CSA Z462 or equivalent local standards.
- This equipment must only be installed and serviced by qualified electrical personnel.
- Turn off all power supplying this equipment before working on or inside equipment.
- Always use a properly rated voltage sensing device to confirm power is off.
- Before touching any live parts, allow at least 5 minutes for the equipment to self-discharge and then short-circuit each capacitor terminal together and ground.
- Replace all devices, doors and covers before turning on power to this equipment.

Failure to follow these instructions will result in death or serious injury.



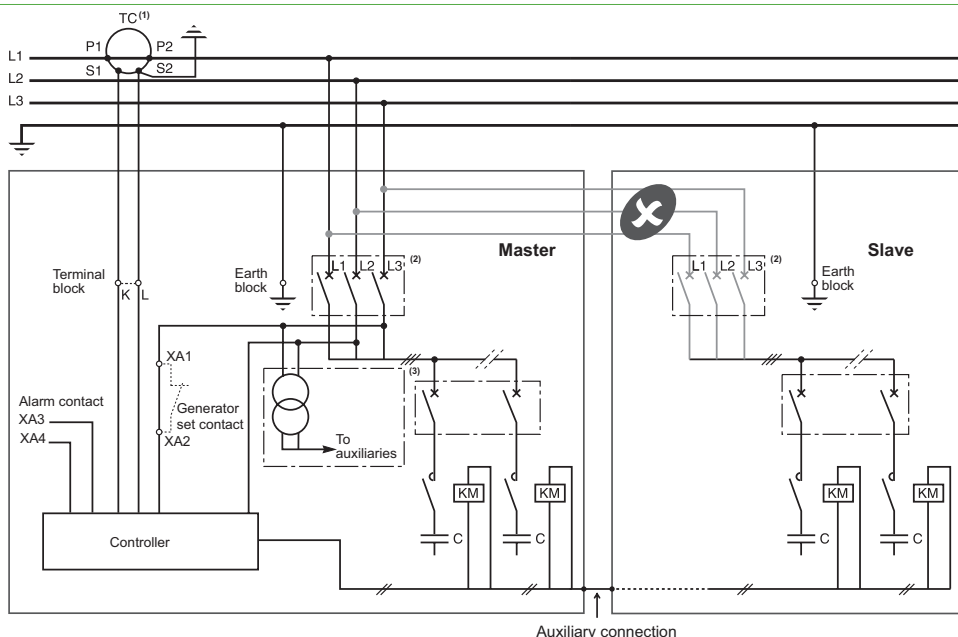
Connection of VLVAF8P cubicles

Correct connection



DB418506 EN:eps

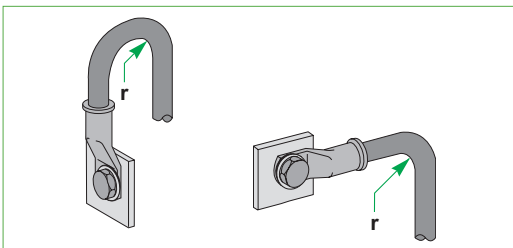
Unauthorised connection



DB418507 EN:eps

Installation of the cables

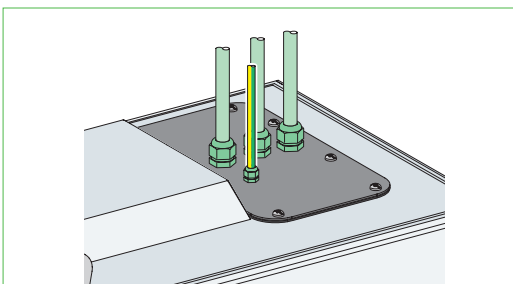
Bending radius



Bending radius.

The standards stipulate a bending radius 6 to 8 times the diameter. Refer to the bending radius given by the cable supplier.

Maximum number of power cables of the gland plate



Enclosures	Quantity
VLVAF2P, VLVFF2P, VLVA3P, VLVA5P, VLVA6P	12
VLVA8P	12 + 12

Preparation of the cables for connection

⚠ ⚠ DANGER

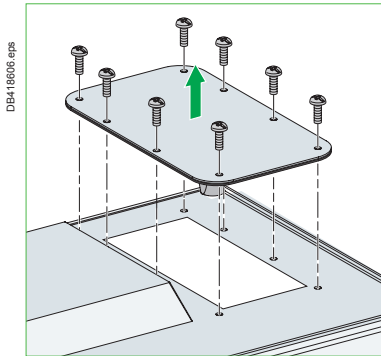
HAZARD OF ELECTRIC SHOCK, EXPLOSION OR ARC FLASH

Keep away from the enclosure or the cubicle when drilling, so as to prevent shavings from falling into the equipment.

Failure to follow these instructions will result in death or serious injury.

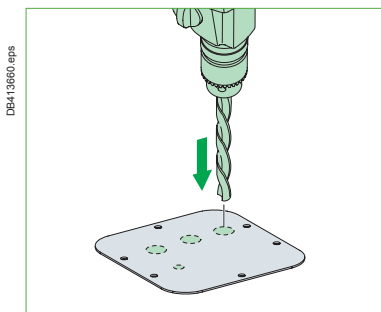


- Remove the gland plate.



Removal of the gland plate.

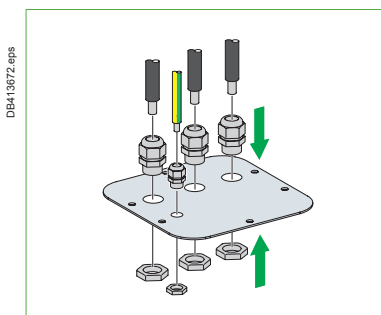
- Use drills or punches depending on the diameters of the holes to be made to allow the routing of:
 - power cables
 - the 2 wires of the current transformer (for models with automatic power factor correction)
 - the earthing cable
 - the communication cable (if required).



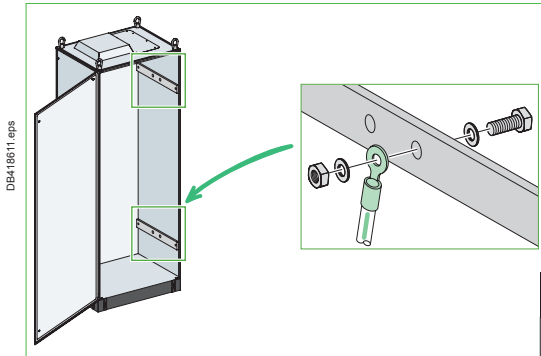
Drilling of the gland plate.

- Run the cables through the plate by placing cable glands (not supplied) with a performance equivalent to the protection index of the equipment.

Note: to route the cables from below, proceed in the same manner with the lower gland plate.



Routing of the cables and installation of cable glands.



Connection with earth bar.

Earthing connection

- Unscrew protection cap located on earthing stud.
- Make the link using a cable with suitable cross-section; see section "Characteristics of customer power cables (400-415 V)" on page 18 for information on protection cables
- The link is made using a nut with contact washer on either side.
- Apply a tightening torque of: 75 N.m (M12 screw class 8.8) for earth bar.

Connection of customer power cables

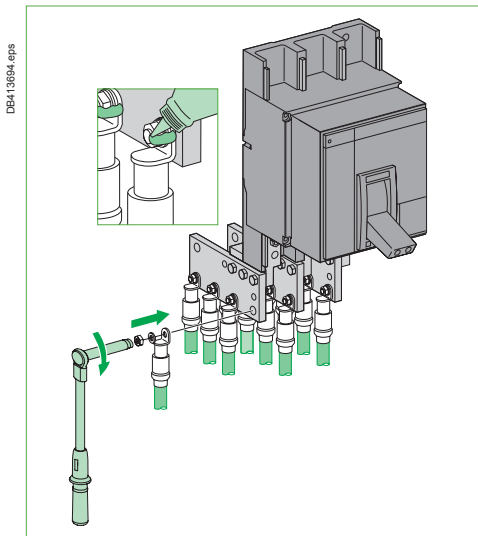
⚠ ⚠ DANGER

HAZARD OF ELECTRIC SHOCK, EXPLOSION OR ARC FLASH

- See tables of power cable cross-sections.
- Refer to the protection circuit breaker's manual provided with your equipment for the type of connection to be made (lug, end covers).
- Connect the cables using bolts and contact washers.
- Observe the tightening torques.

Failure to follow these instructions will result in death or serious injury.

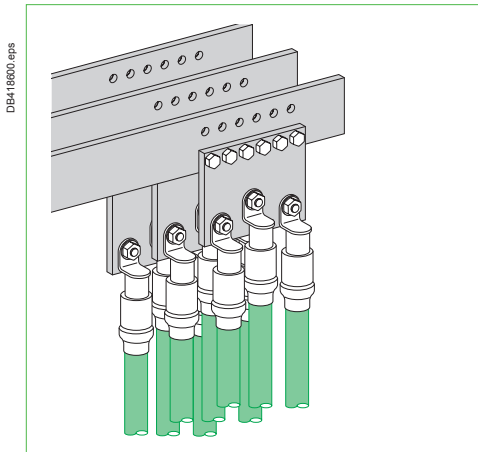
- Screw the lugs on the terminals and connection pads as shown below.
- The order of the phases L1, L2, L3 must match the order of the phases on the terminal block or the protective device of the equipment.
- Tighten the screws with the defined torque. See table below.
- Mark the connection using a suitable varnish.
- Secure the cables on the holders.



Connection with copper ranges.

Type of protection circuit breakers dependent on

Equipment	Input protection	
Cubicles		
VLVAF6P	NS630b N/H	
	NS800 N/H	
	NS1000 N/H	
	NS1250 N/H	
VLVAF8P	Master	NS1000 N/H
		NS1250 N/H
	Slave	NS630B N/H
		NS800 N/H
		NS1000 N/H
		NS1250 N/H

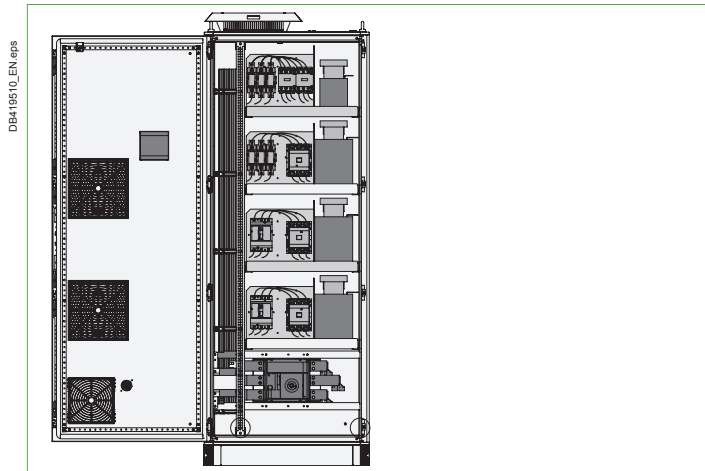


Connection to busbar.

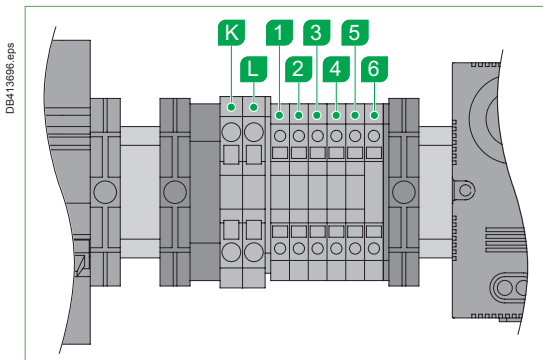
Tightening torque

Compact NS	Busbar connection ranges
50 N.m	M10 = 50 N.m

Auxiliary connections



Auxiliary terminal block.



Description of the terminals.

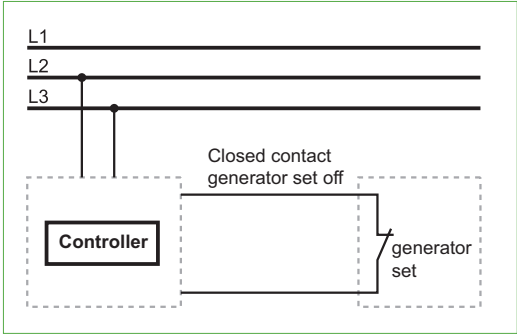
Equipment	Controller current measurement	Generator set	Controller alarm	Temperature alarm information
Characteristics				
	Current input 1A or 5A (5A is preferred) Power 5 V AC	Secondary current input 415 V, ≤ 50 mA	Secondary current output, NF contact, presence of alarm = closed contact 2 A / 250 V AC	Failure contact of main breaker 4 A / 240 V AC or 2 A / 440 V AC
Enclosure				
VLVAF2P, VLVFF2P, VLVAF3P, VLVAF5P, VLVAF6P, VLVAF8P	K L	1 2	3 4	5 6

See the section "Characteristics of the auxiliary cables" on page 21 for information on auxiliary cables.





DE413535-EN-eps



Connection with the generator set

NOTICE

RISK OF DEGRADATION OF SYSTEM PERFORMANCE

It is essential to disconnect the capacitor bank when the generator set is running.

Failure to follow these instructions will prevent the generator set from starting up and cause the loss of power supply.

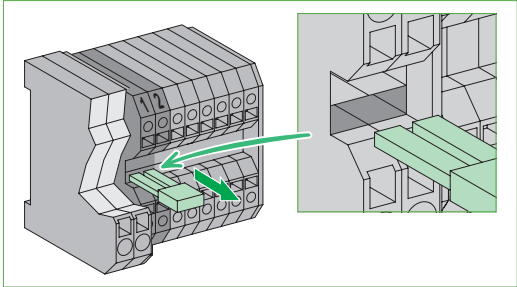
If a generator set is present, connect the wires coming from the generator set to the terminals 1 and 2.

Characteristics

- Dry contact, normally closed (closed contact = the generator set is off)
- Contact specifications: 415 V AC, ≤ 50 mA.

Remove the jumper.

DE413638-eps

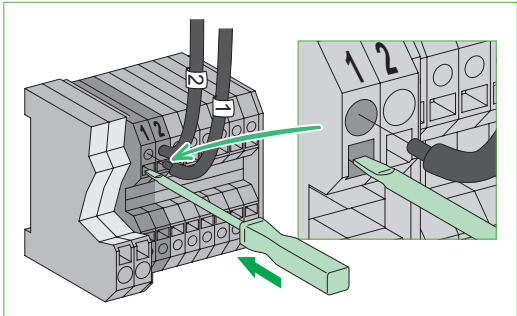


Removal of the jumper from the generator set connection terminal block.

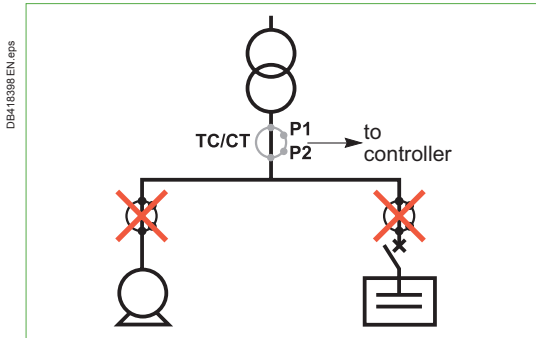
Connect the 2 wires coming from the generator set to the terminals 1 and 2.

When the generator set starts up, power to the terminal block is cut off, the battery stops working.

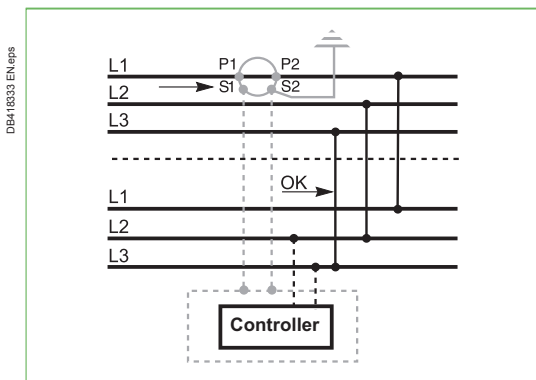
DE413638-eps



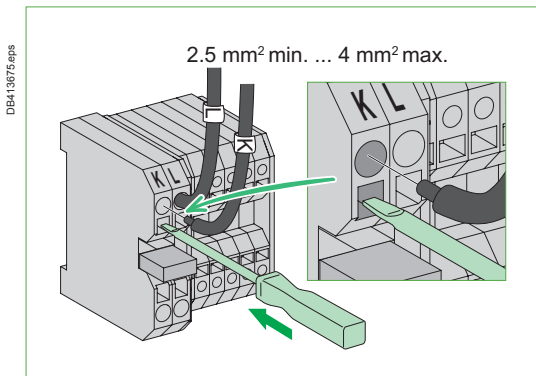
Connection of the generator set.



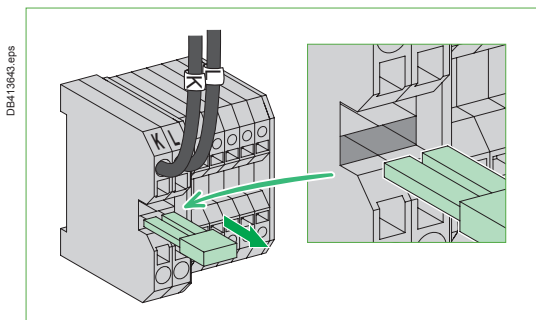
Location of the CT on the power circuit.



Connection of the CT.



Connection of a CT.



Removal of the jumper from the CT's connection terminal block.

For automatic power factor correction only.

Installation of the current transformer (CT) on the network

■ You must install the CT upstream of the equipment and the receivers (motors, etc.); see diagram on the left.

Connection of the current transformer

■ Connect the terminal S1 to the terminal K of the terminal block and S2 to the terminal L of the terminal block.

For more information, refer to the CT manual (not supplied by Schneider Electric).

■ Remove the jumper after connecting the CT to the terminal block. See below.

If any work needs to be done on the CT's secondary circuit, retain the Schneider Electric jumper, ref. NSYTRAL42.

The current transformer must be placed on phase 1 of the power circuit.

The current transformer secondary circuit must be connected to earth.

Connection of the current transformer (CT) to the controller

The aim is to connect the controller to the customer network's current measurement.

This operation is relevant only to models with automatic power factor correction.

⚠ ⚠ DANGER

HAZARD OF ELECTRIC SHOCK, EXPLOSION OR ARC FLASH

■ Never open the secondary circuit of a current transformer when the primary circuit is powered.

■ Before any work on the secondary circuit, the secondary terminals of the current transformer must be short circuited using appropriate jumper Schneider Electric ref. NSYTRAL42.

Failure to follow these instructions will result in death or serious injury.

Do not make any branching

The current transformer must be dedicated to the equipment.

■ Risk of sending incorrect information to the controller.

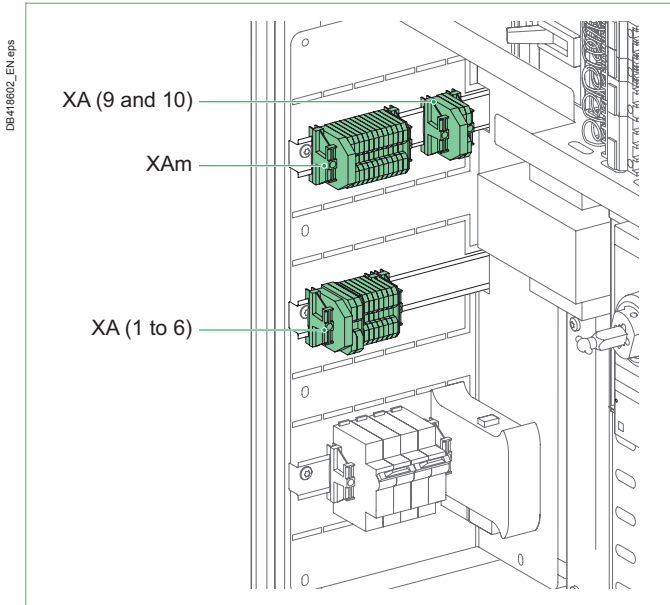
■ Risk of losing the advantage of using the equipment.

Connection of the control part of a master/ slave cabinet

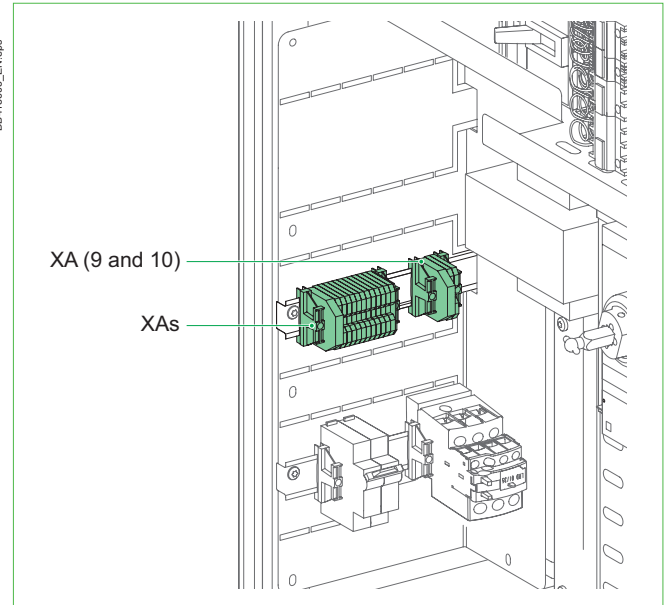
The Slave equipment control (XAs connection terminal) must be connected to the Master equipment (XAm connection terminal) according to the plan EAV1886000, supplied with the equipment.

Recommended cable type (not supplied):

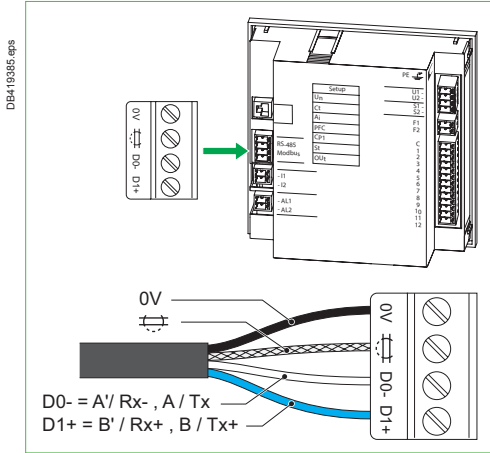
- 1000 V isolation, 105 °C, cross section between 1 mm² and 2.5 mm².



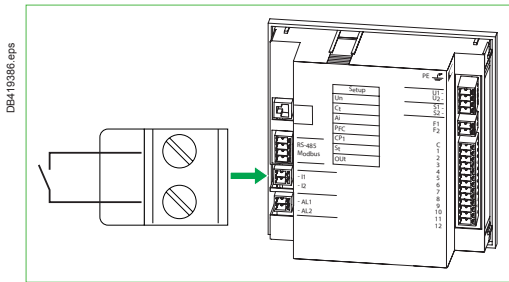
Master equipment.



Slave equipment.



Connection of the module.



Communication connecting

Equipment needed (not included in the equipment)

- Recommended wire: Belden 3106A shielded AWG22 3 wires.

Connection to regulator

- Pin assignments:
 - 0 V signal and power supply common
 - modbus shield pin
 - (no internal connection to 0 V or PFC controller ground terminal)
 - D0- transceiver terminal 0
 - D1+ transceiver terminal 1.
- Insulation voltage: 1.3 kV
- Wire section: 0.2 to 1 mm² (30-19 AWG)
- Recommended cable Belden 3106A (shielded, AWG22 3 wires)
- Torque: 0.5 to 5 Nm.

Refer to the communication module documentation Modbus VL6/12 7EN02-0376.

Function cos φ 2 connection

- Characteristics:
 - Self powered input (5V-10mA) for NO or NC dry contact.
 - Dry contact status can be change in the PFC Controller setup menu. Default value is NO
 - contact open: cos φ 1 target
 - contact closed: cos φ 2 target.
- Cross section 0.2 to 1 mm², length max 100 m.
- For a length > 50 m, use a cross section at least 0.6 mm².

Installation of communication or cos φ 2 cable into the capacitor bank

From the cable gland plate join the controller following the wiring harness. See § Preparation of the cables for connection page 26.

The cable must provide the insulation or creepage distances into the equipment.

Depending to the equipment supplied, use adhesive mount to hold the cable since the gland plate to wiring harness.

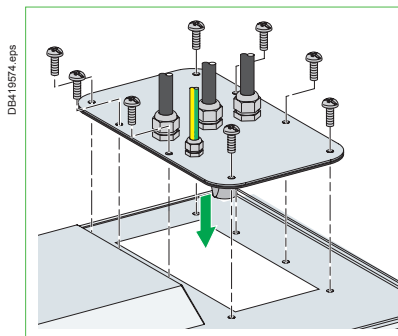
Hold the cable on the wiring harness with additional cable ties.

Place cable ties at regular interval, the cable must not be free in the capacitor bank.

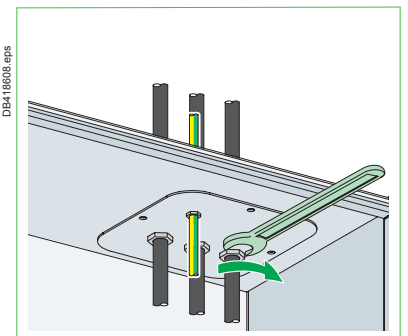
The cable must not prevent the opening or closing door, neither be caught during closing door.

Final operations after making the connections

- Replace the gland plate and its fastening screws, tightening torque: 1.3^{+0.5} N.m.
- Tighten the cable glands.



Closing of the gland plate.



Tightening of the cable glands.

Preliminary checks

DANGER

HAZARD OF ELECTRIC SHOCK, EXPLOSION OR ARC FLASH

- All work must be carried out by qualified and authorised electrical personnel.
 - The equipment power supply must be switched off before cleaning.
- Failure to follow these instructions will result in death or serious injury.**

Cleaning

Prior to commissioning, dust or debris that might have entered the equipment must be removed in order guarantee the clearance distances and creepage. In particular, check the filters, ventilation grates, busbars and their supports and the electrical connections.

The space around the equipment must also be cleared of accumulations of dust or fine particles.

- Use a vacuum cleaner for this cleaning.
- Never clean using compressed air to avoid the displacement of dirt to other surfaces.
- Use dry cloths.

Checks

- Check that there are no foreign bodies in the equipment (tools, etc.).
- Check the integrity of the protection of power cables upstream of and inside the installation.
- Check the integrity of the protective earth conductor and its connection.
- Check the tightening torques.
- Check the installation of the current transformer: positioning on phase 1, mechanical fastening and electrical connections.
- Check the configuration of the communication network: polarization resistor, terminating resistor.
- Check that the network voltage matches the equipment voltage rating.

Power-up

DANGER

HAZARD OF ELECTRIC SHOCK, EXPLOSION OR ARC FLASH

- All work must be carried out by qualified and authorised electrical personnel.
- Wait for 50 s after switching off power supply before carrying out any work on the equipment (time needed for the capacitors to discharge).
- The controller is not a safety device; it cannot be used to check the absence of voltage.
- The equipment must be switched off prior to any installation or maintenance operation.

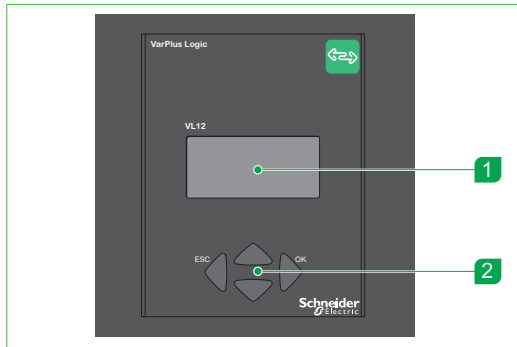
Failure to follow these instructions will result in death or serious injury.

Checks during operation

- Prior to any operation, you must check that there is no voltage. The controller cannot be used to check the absence of voltage.
- Check the unwanted commands triggered by the controller. Define a threshold for the number of reconnections in a determined period by modifying the controller parameter.
- If operating on full load, check that the switched stepping functions correctly.
- After a few hours of operation, measure the temperature change in the premises.

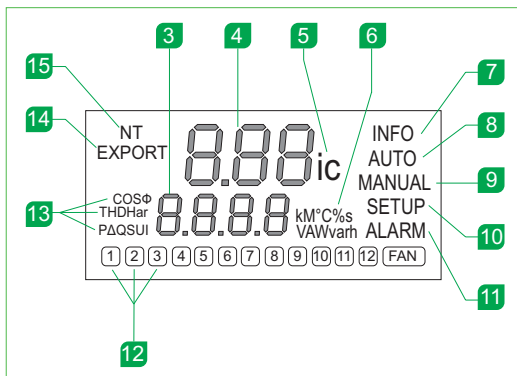


DB419376.eps



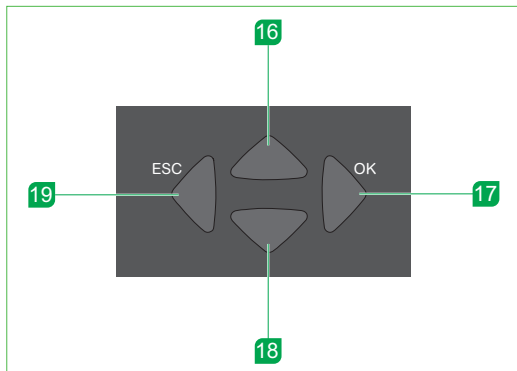
External view of the NRC12 controller

DB419377.eps



Display

DB419378.eps



Navigation keys

⚠️ ⚠️ DANGER

HAZARD OF ELECTRIC SHOCK, EXPLOSION OR ARC FLASH

Never reduce the steps' connection time under 50s.

Failure to follow these instructions will result in death or serious injury.

NOTICE

RISK OF DEGRADATION OF EQUIPMENT PERFORMANCE

The controller is configured in the factory for normal or optimal operation. The user is liable for any modification of these parameters.

Failure to follow these instructions will lead to the total or partial loss of the equipment and non-availability of the installation.

Although the regulator installed in your VarSet capacitor bank had been pre-configured with your equipment it remains following settings to define:

- target $\cos \phi$ setting
- current transformer ratio value (allows to display the measured value correctly).

Note: For more detailed information on the controller, please refer to the device manual supplied with the equipment.

Important

- If supplied by a summing CT (installation with several CTs), the sum of the ratios of the different CTs must be taken into consideration.
- For an installation equipped with a generator set, the capacitor bank must be taken out of circuit, by breaking the supply to the controller, before switching to the generator set.

- | | |
|--|---|
| 1 Display | 11 Flashing indicates alarm is activated |
| 2 Navigation keys | 12 Step number illuminated when activated |
| 3 Digital display for measurement | 13 Displayed measurement |
| 4 Displacement Power Factor (DPF) | 14 Indicates exporting power to grid |
| 5 Inductive or capacitive DPF (lagging or leading) | 15 Indicates secondary DPF target is activated |
| 6 Units of measurement | 16 ■ Increase Values
■ Select Menu Items |
| 7 Step information | 17 ■ Open Menu
■ Move Cursor Right
■ Settings |
| 8 Indicates automatic mode | 18 ■ Decrease Values
■ Select Menu Items |
| 9 Indicates manual operation of steps mode | 19 ■ Exit Menu
■ Move Cursor Left |
| 10 Indicates set up menu mode | |



For controller operation, refer to the instructions supplied with the product.

Simple Commissioning of VarPlus Logic controller

Before configuring the controller, please ensure that the jumper on KL terminals is removed.

Go to SETUP 100:

1. Setup CT ratio (Ct), cos ϕ (CP1).
2. If the controller display is showing PFC OFF, set the PFC parameter to ON, before launching Ai.
3. Launch automatic initialization (Ai) by pressing "Ai" from "OFF" to "ON."

The Ai automatically detects the capacitor steps connected and checks if the phase connection (angle between voltage and CT position) is correct. The Ai sequence switches the steps on and off several times. It will take several minutes to complete this process, and later the relay will stabilize.

During this sequence the controller will display "Ai."

Minimum requirements to launch an Ai	For a successful Ai step detection
<ul style="list-style-type: none"> ■ Voltage must be within tolerance ■ CT must be connected ■ Capacitor protection must be close ■ Input current not too low. 	<ul style="list-style-type: none"> ■ CT ratio dimensioning must be in accordance with the transformer dimension ■ Size of the smallest step not too small ■ Level of loading when Ai is launched ■ Load variation during the Ai sequence.

At end of "Ai," the controller will move to "Auto" mode.

Successful Ai sequence info	Unsuccessful Ai sequence ["Abrt" (abort) error]
<ul style="list-style-type: none"> ■ If phase wiring is swapped (incorrectly wired), the controller automatically corrects the phase angle internally and moves to normal mode. "Auto" is displayed. ■ Final check of step detection: <ul style="list-style-type: none"> □ Go to SETUP 100 -> OUT -> open (right arrow) and check if the status of all steps are correct according to the PFC bank configuration (FIX OFF = Step not detected. AUTO = Step detected) □ If necessary, change the OUT status to expected value. 	<ul style="list-style-type: none"> ■ If unsuccessful, run the Ai again. If the Ai aborts again, the phase connection (angle between voltage and CT position) cannot be detected. The control will move to PFC off mode and phase connection must be set manually. See user manual.

Messages displayed by the regulator and solutions

The diagnosis of a problem, during equipment commissioning, generally can be done from the display of the regulator

- ALARM flashes when there is a alarm.
- Alarm menu lists the 5 last alarms logged.

Alarm	Cause	Solution
AI/Abt ALARM	Abort of auto-initialization	Variations in the load or too small measured current signals may abort Auto initialisation.
U ALARM	Measured voltage is outside the voltage tolerance.	Check settings for nominal voltage and voltage transformer.
I LO ALARM	Measured current is too low (CT current < 15 mA).	Connection error of CT; short-link of CT is not removed; CT ratio is too high compared to real current; no current.
I Hi ALARM	Measured current is too high.	Load is too high or Improper CT selection.
PFC ALARM	The controller cannot achieve the target cos φ. Over or under compensation.	Check if all steps are correctly defined and working. Check if sizing of the PFC bank is enough compare to KVAR required by the load.
HAr ALARM	THDU limit is exceeded. Controller disconnects the steps to correct THDU.	Check installation, THD U too high or possible resonance.
Step/Flty ALARM (faulty step is blinking)	One or more steps are defective (detected as faulty after connecting the step 3 times without any measurements).	Check steps connection, molded-case circuit breakers (MCCBs) or fuses position and capacitor status.
SPL/Nr ALARM	Step detected with remaining power less > 75 % of initial value.	Check settings and check capacitance of the capacitor.
Thi ALARM	The alarm temperature limit is exceeded.	Check fans and ambient temperature.
OPH ALARM	Set limit for max. allowable operation hours limit is exceeded.	Check the MCCBs/Fuses, contactors and capacitors in the step. Check the capacitance value and replace capacitors if the capacitance has fallen below tolerance limit.
OPC/Nr ALARM	Set limit for max. allowable operation cycles limit is exceeded.	Check the MCCBs/Fuses, contactors and capacitors in the PFC Bank. Check the capacitance value and replace capacitors if the capacitance has fallen below tolerance limit.
OL ALARM	Limit of Capacitor overload current ratio (based on THDU calculation) is exceeded.	Check installation, THD U too high, or possible resonance.
HU ALARM	One or more steps are detected in hunting mode. Step number and error code will flash.	
Anomaly	Cause	Solution
No indication AUTO	Relays do not switch.	In SETUP/100 menu, the selection for PFC is set to OFF or HOLD; CT ratio is not set; temperature is too high; current is < 15 mA; voltage, THD U, or overload current ratio is out of tolerance.
EXPORT	kW export.	If there is no real kW export, check the voltage and current connections to the controller.
Wrong Cos φ indication	Wiring does not correspond to controller settings.	Check voltage and current connections to the controller.
Frequent switching of steps	Size of capacitors is not completely detected / capacitors are inoperable.	Check size of capacitor in INFO menu.
All steps are set to "Fix off"	CT not correctly located or connected, short link not removed.	Check CT connection and position.

Preventive and corrective maintenance

Preventive maintenance

In order to ensure proper operation of your low voltage energy-efficiency equipment, preventive maintenance operations are needed. Please refer to your maintenance guide delivered in your capacitor bank. Contact your Schneider Electric representative to perform these preventive maintenance operations.

Corrective maintenance

Contact your Schneider Electric representative.





Consignes de sécurité	44
<hr/>	
Généralités	46
Introduction	46
Liste des documents et accessoires fournis	47
Caractéristiques techniques	48
Technical characteristics	50
Dimensions et masses des équipements	51
Principe d'architecture	53
Caractéristiques des locaux d'installation	54
Caractéristiques de l'installation en amont de l'équipement	57
Caractéristiques des câbles client et des capacités de raccordement	58
<hr/>	
Installation	62
Réception et manutention de l'équipement	62
Déballage de l'équipement	63
Stockage de l'équipement	64
Modes de raccordement	67
Raccordements électriques	70
Mise sous tension	77
Configuration du régulateur	79
<hr/>	
Exploitation	81
Gestion du régulateur	81
<hr/>	
Maintenance	82
Maintenance préventive et corrective	82

Informations importantes

Lisez attentivement ces directives et examinez l'appareillage pour vous familiariser avec son fonctionnement avant de faire son installation ou son entretien. Les messages spéciaux suivants peuvent apparaître dans les présentes directives ou sur l'appareil pour avertir l'utilisateur de dangers potentiels ou pour attirer l'attention sur des informations qui clarifient ou simplifient une procédure.



L'ajout d'un de ces deux symboles à une étiquette de sécurité de "Danger" ou d'"Avertissement" indique qu'un danger électrique existe et qu'il peut entraîner des blessures corporelles si les directives ne sont pas respectées.



Ceci est le symbole d'alerte de sécurité. Il est utilisé pour vous alerter de dangers de blessures corporelles potentielles. Veuillez vous conformer à tous les messages de sécurité qui suivent ce symbole pour éviter une blessure ou la mort.

DANGER

DANGER indique une situation de danger imminent qui, si elle n'est pas évitée, **provoquera** la mort ou des blessures graves.

AVERTISSEMENT

AVERTISSEMENT indique une situation de danger potentiel qui, si elle n'est pas évitée, **peut provoquer** la mort, des blessures graves.

ATTENTION

ATTENTION indique une situation de danger potentiel qui, si elle n'est pas évitée, **peut provoquer** des blessures mineures, modérées ou des dommages matériels.

AVIS

AVIS est utilisé pour aborder des pratiques ne concernant pas les blessures. Le symbole d'alerte de sécurité n'est pas utilisé avec ce mot de signal.

REMARQUE : Fournit des renseignements complémentaires pour clarifier ou simplifier une procédure.

Veillez noter

Seul un personnel qualifié doit effectuer l'installation, l'exploitation, l'entretien et la maintenance du matériel électrique. Schneider Electric n'assume aucune responsabilité des conséquences éventuelles découlant de l'utilisation de cette documentation.

Une personne qualifiée est une personne qui a les compétences et le savoir-faire relatifs à la construction, l'installation et l'exploitation d'équipements électriques et qui a reçu une formation à la sécurité lui permettant de reconnaître et d'éviter les risques encourus.

Avant de commencer

- Ce manuel ne peut pas être utilisé pour définir ou déterminer l'adéquation ou la fiabilité de ces produits pour des applications utilisateur spécifiques. Il incombe à chaque utilisateur ou intégrateur de réaliser l'analyse de risques complète et appropriée, l'évaluation et le test des produits pour ce qui est de l'application à utiliser et de l'exécution de cette application.
- Lorsque des équipements sont utilisés pour des applications présentant des exigences techniques de sécurité, suivez les instructions appropriées.

⚠ ⚠ DANGER

RISQUE DE CHOC ELECTRIQUE, D'EXPLOSION OU D'ARC ELECTRIQUE

- Porter un équipement de protection individuel (EPI) et suivre les règles de sécurité liées aux travaux d'électriques. Voir NFPA 70E, CSA Z462 ou normes locales équivalentes.
- Cet équipement doit être installé et entretenu par du personnel qualifié.
- Couper toutes les alimentations de cet équipement avant de travailler sur ou à l'intérieur de l'équipement.
- Utiliser toujours un dispositif au bon calibre et approprié à la détection de tension pour confirmer la coupure de l'alimentation.
- Avant de toucher toute partie active, attendre au moins 5 minutes pour que l'équipement s'autodécharge puis mettre en court-circuit les bornes de chaque condensateur et les mettre à la terre.
- Remettre en place tous les composants, portes et capotage avant de mettre sous tension l'équipement.

Le non-respect de ces instructions entraînera la mort ou des blessures graves.

- Les équipements sont assemblés en usine et ne nécessitent pas d'intervention lors de l'installation hormis celles indiquées ci-dessous.

⚠ ATTENTION

RISQUE DE DÉGRADATION DE PERFORMANCES DE L'EQUIPEMENT

Ne pas modifier les parties mécaniques ou électriques.

Le non-respect de cette instruction peut provoquer des blessures mineures, modérées ou des dommages matériels.

⚠ ATTENTION

RISQUE DE BRÛLURES

En fonctionnement et pendant plusieurs minutes après arrêt, des pièces de cet équipement peuvent atteindre des températures élevées. Avant toute intervention, s'assurer que les parties métalliques ont atteint une température acceptable au touché.

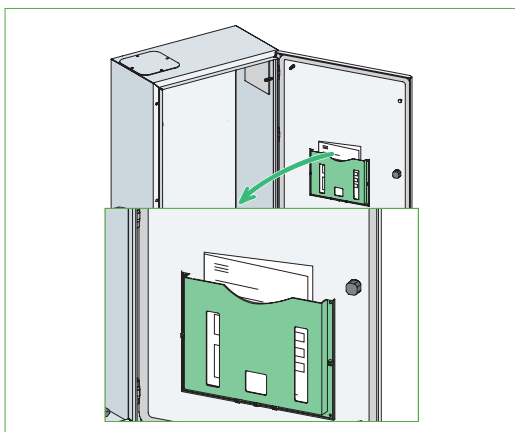
Le non-respect de cette instruction peut provoquer des blessures mineures, modérées ou des dommages matériels.

Vous venez de recevoir votre équipement de solution d'efficacité énergétique basse tension conçu et fabriqué par Schneider Electric. Afin de vous accompagner au mieux lors de sa mise en œuvre, nous avons apporté le plus grand soin à la réalisation de ce manuel. Il présente toutes les informations nécessaires pour installer et utiliser votre équipement. Nous vous conseillons de le lire attentivement et de suivre ses recommandations.

- Aucune partie de ce document ne peut être reproduite sous quelque forme ou par quelque moyen que ce soit, électronique, mécanique ou photocopie, sans l'autorisation écrite expresse de Schneider Electric.
- Toutes les réglementations locales, régionales et nationales pertinentes doivent être respectées lors de l'installation et de l'utilisation de ce produit.
- Pour des raisons de sécurité et afin de garantir la conformité aux données système documentées, seul le fabricant est habilité à effectuer des réparations sur les composants.
- Si vous avez des suggestions d'amélioration de cette publication, n'hésitez pas à nous en informer en utilisant les coordonnées indiquées à la fin de ce guide.

Liste des documents et accessoires fournis

DB413651.eps



Documents

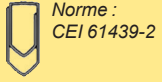
Guide de réception : déballage, manutention, stockage (disponible sur l'emballage).

Vous trouverez dans le porte-document situé sur la face interne de la porte de l'équipement les documents suivants :

- ce guide d'installation, de mise en service
- le guide de maintenance
- le schéma du circuit de puissance
- le schéma du circuit auxiliaire
- le plan de raccordement des borniers
- la fiche de caractéristiques techniques
- l'instruction de service simplifiée du contrôleur (Le guide complet du VarPlus Logic est à télécharger sur le site internet www.schneider-electric.com)
- la notice du disjoncteur de protection principale (selon modèle).

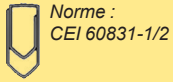
Une fois l'installation terminée, il est conseillé de laisser ce manuel à disposition dans le porte-documents prévu à cet effet, situé sur la face interne de la porte de l'équipement.

fr



Caractéristiques générales

- Tension, fréquence, puissance, selon les indications de la plaque signalétique.
- Tension d'isolement : jusqu'à 800 V (selon modèle).
- tenue 50 Hz 1 min : 2,5 kV.
- Courant assignée de courte durée admissible : 50/65 kA (selon modèle).
- Communication : Modbus RS485 2 fils.
- Alimentation auxiliaire : 220/230 V 50/60 Hz.
- Indice de protection : IP31/IP54 (selon modèle).
- Fonction présence groupe électrogène (bornes XA1 - XA2).
- Couleur :
 - coffret : RAL 7035.
 - socle : RAL 7022.
- Conforme aux normes CEI 61439-2 et CEI 61921.
- IK10.
- Contact alarme pour remontée de défaut batterie (bornes XA3 - XA4).



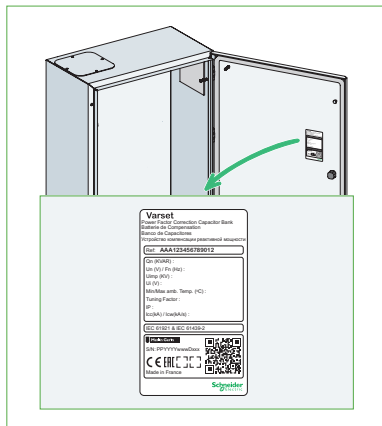
Caractéristiques des condensateurs

- Tension de design : 480V
- Tolérance sur les capacités : -5 à +10 %.
- Surcharges admissibles en tension (8 h sur 24 h suivant CEI 831-1/2) : 10 %.
- Sur intensité maximum : 1,8 In

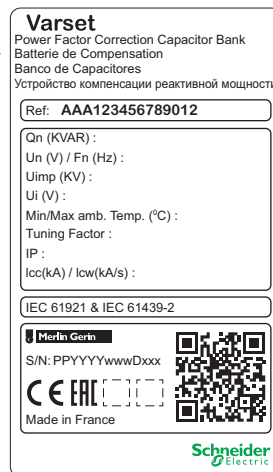
Limites de fonctionnement

- Usage intérieur exclusivement.
- Alimentation : 400 V/50 Hz - 400 V/60 Hz - 415 V/50 Hz.

Plaque signalétique



Localisation de la plaque signalétique.

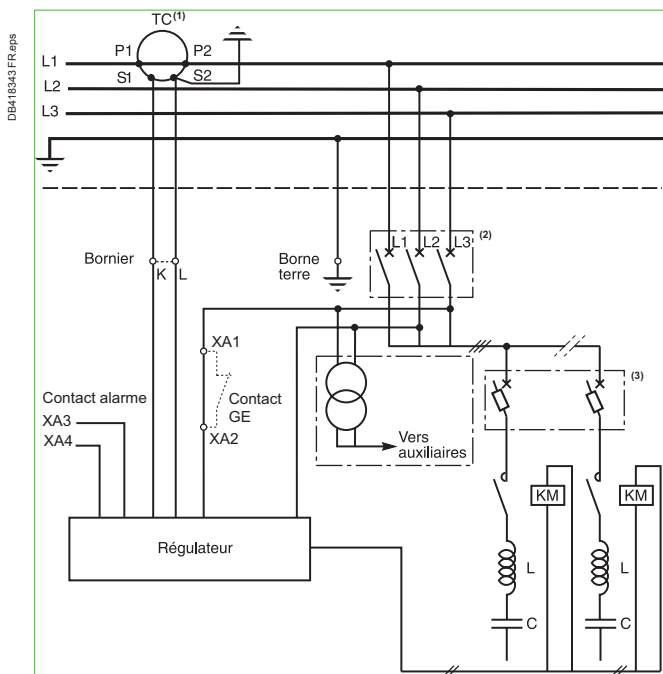


Constitution des équipements

Type	Disjoncteur	Self anti-harmonique	Schémas électriques
VLVAF2P, VLVAF3P, VLVAF5P, VLVAF6P, VLVAF8P, VLVFF2P	avec / sans	avec	

Schémas électriques

VLVAF2P, VLVAF3P, VLVAF5P, VLVAF6P, VLVFF2P

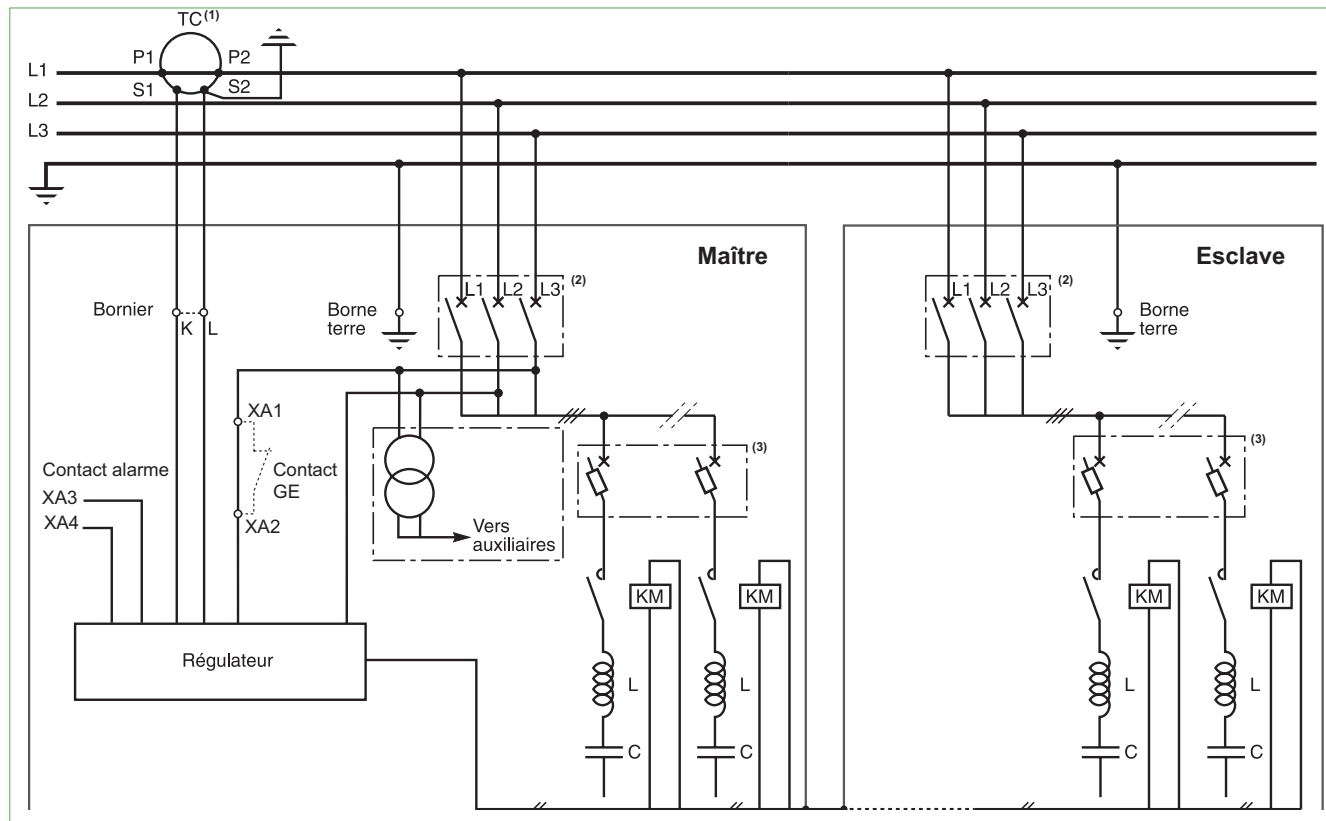


- (1) Non fourni par Schneider Electric.
- (2) Pour variante avec disjoncteur d'entrée.
- (3) Les fusibles peuvent être remplacés par des disjoncteurs en option.

Schémas électriques

VLVAF8P

DB418305FR eps

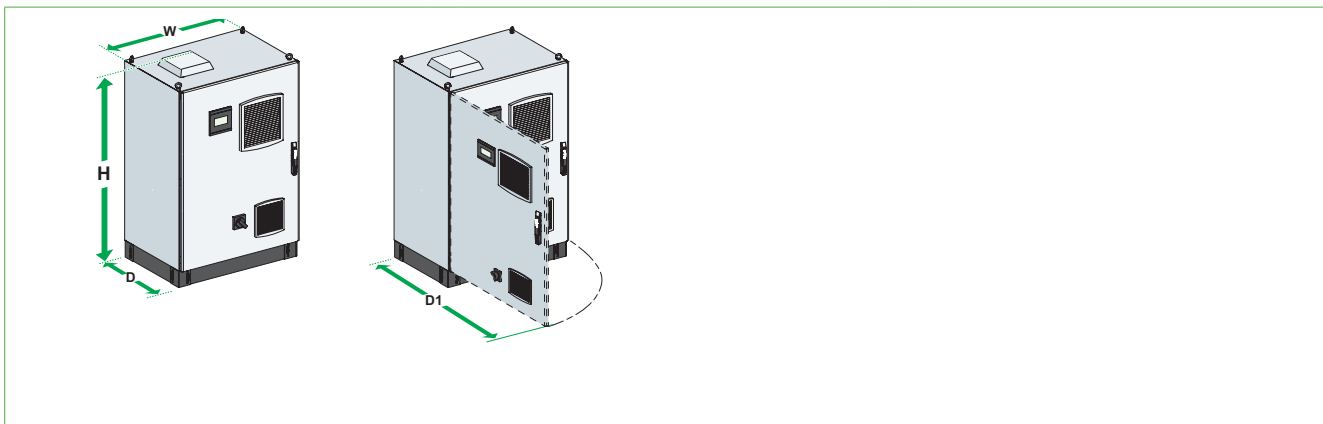


(1) Non fourni par Schneider Electric.

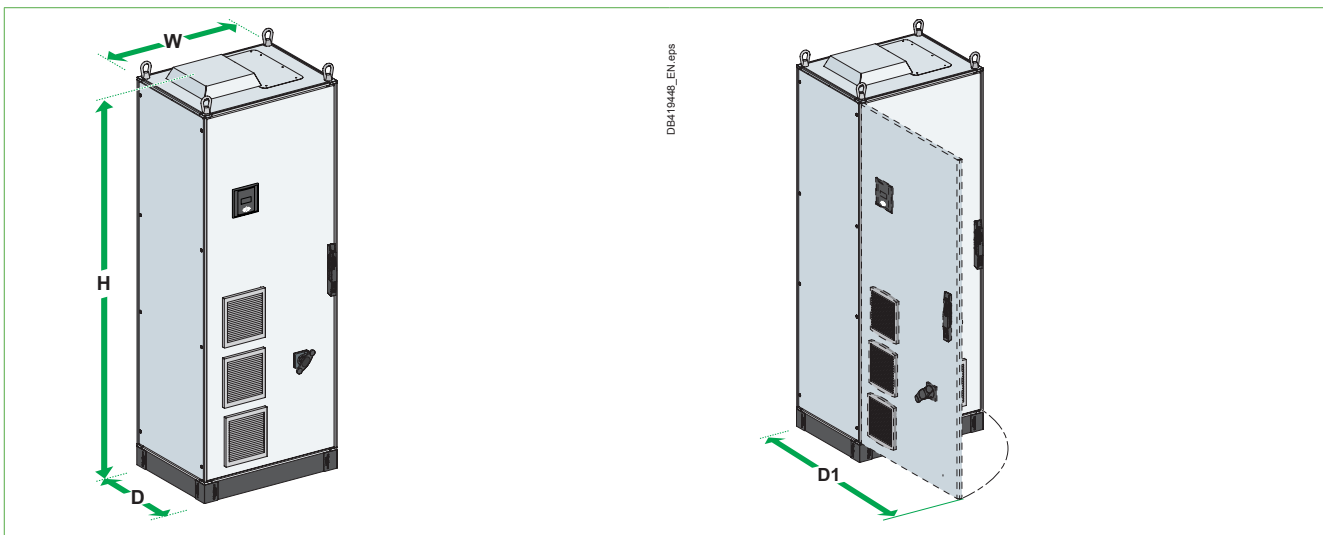
(2) Pour variante avec disjoncteur d'entrée.

(3) Les fusibles peuvent être remplacés par des disjoncteurs en option.

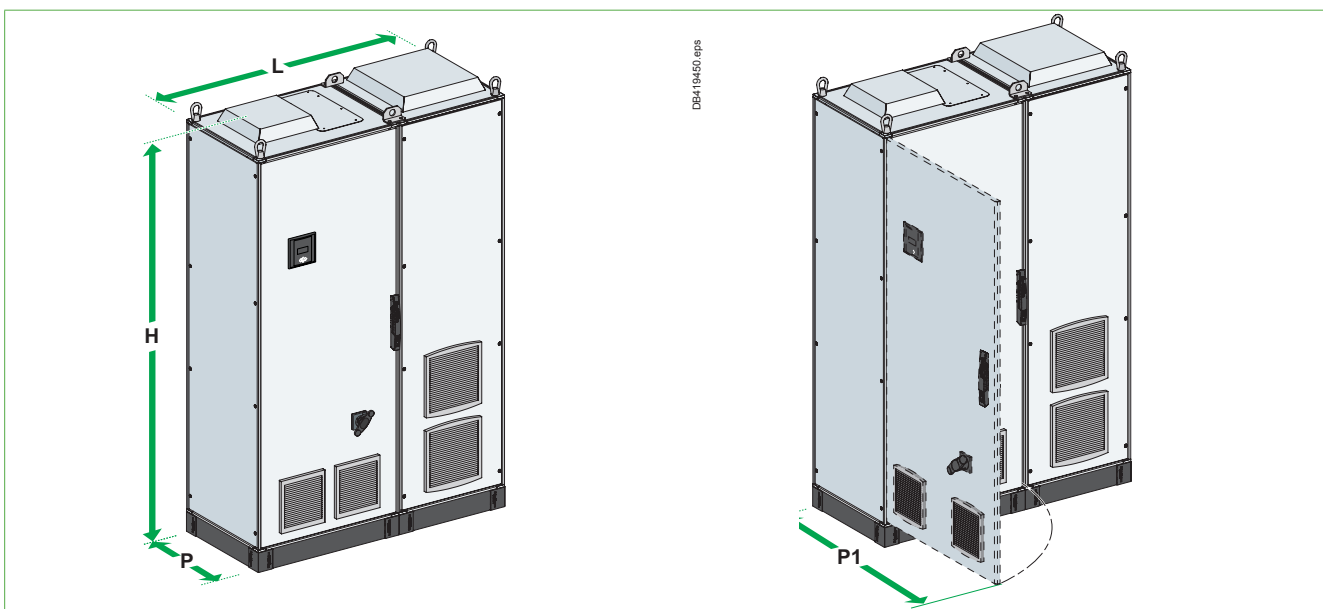
Coffrets VLVAF2P et VLVFF2P



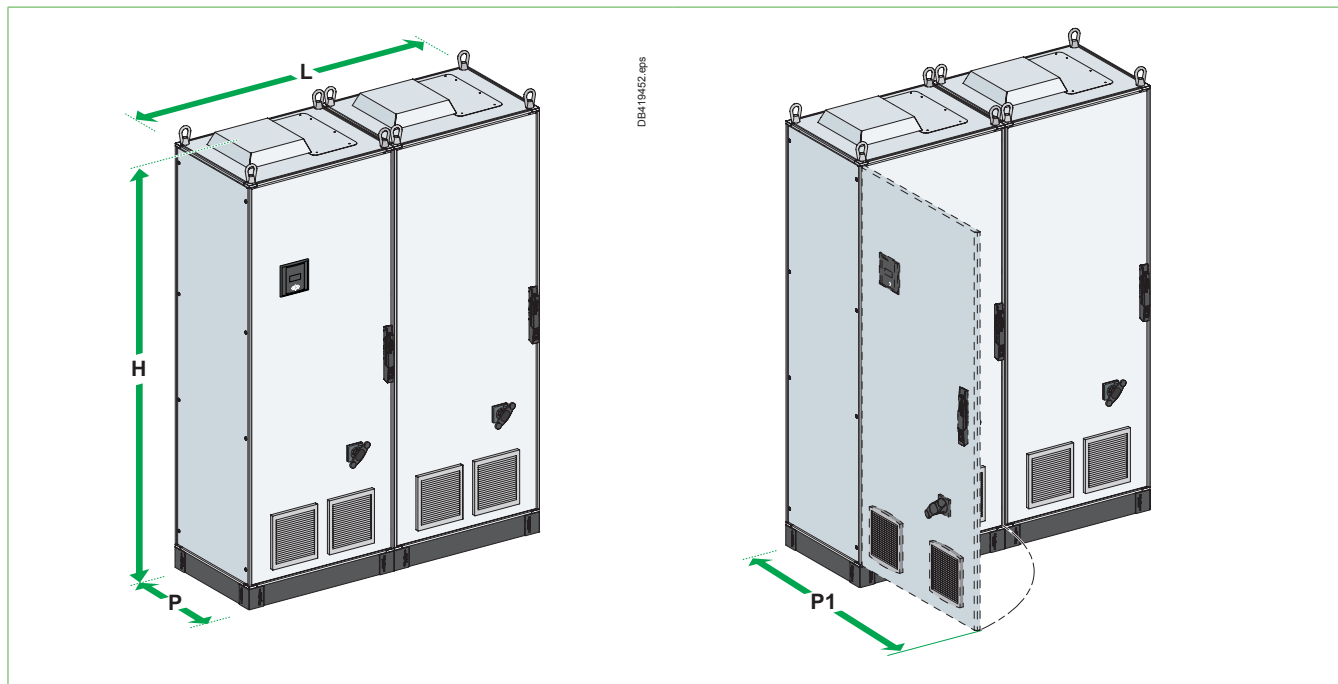
Coffrets VLVAF3P et VLVAF5P



Armoire VLVAF6P



Armoire VLVAF8P

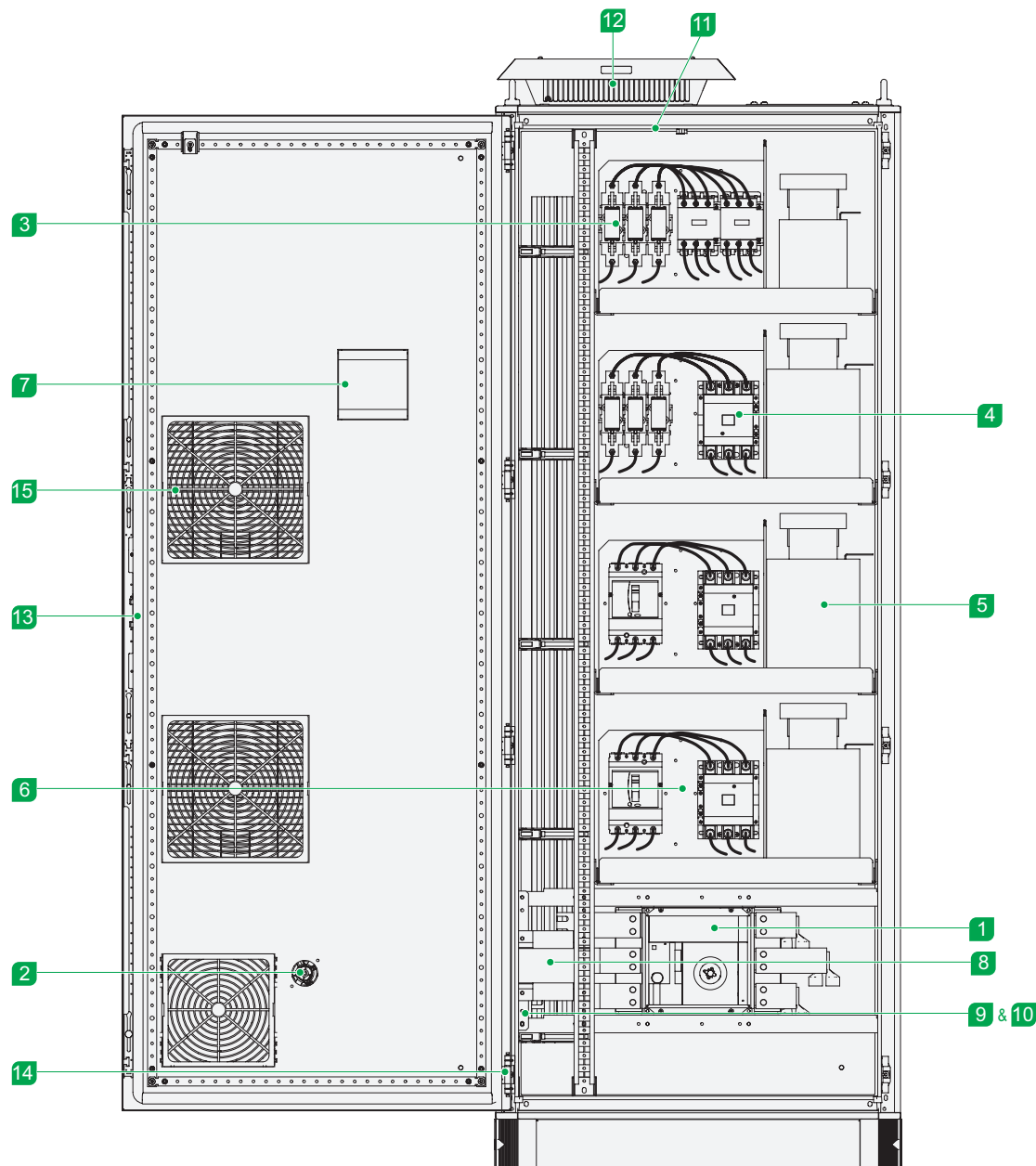


Dimensions (mm) et masse maximum (kg)

Type	Coffret					
	VLVFF2P	VLVAF2P	VLVAF3P	VLVAF5P	VLVAF6P	VLVAF8P
H	1400	1400	2000	2200	2200	2200
W	800	800	800	800	1400	2800
D	600	600	600	600	600	600
D1	1361	1361	1361	1361	1361	1361
Weight	320	350	400	450	952	1904

Architecture typique

DBA194409.eps



- | | |
|--|---|
| 1 Disjoncteur d'entrée | 9 Disjoncteurs de protection circuit auxiliaire |
| 2 Commande rotative | 10 Bornier de raccordement circuit auxiliaire |
| 3 Disjoncteurs de protection de gradin | 11 Thermostats |
| 4 Contacteurs | 12 Ventilateurs |
| 5 Self anti-harmonique | 13 Serrures |
| 6 Condensateurs | 14 Mise à la terre |
| 7 Régulateur Varlogic | 15 Grilles d'aération |
| 8 Transformateur circuit auxiliaire | 16 Linergy |



Caractéristiques des locaux d'installation

Caractéristiques générales

- Températures :
 - température maximum : 45 °C
 - température moyenne sur 24 h : 35 °C
 - température minimum : -5 °C.
- Ventilation : placer l'équipement dans un local ventilé.
- Pollution :
 - degré de pollution 2 (CEI 61010-1).
- Humidité ≤ 95 %.
- Altitude ≤ 2000 m.

DANGER

RISQUE DE CHOC ÉLECTRIQUE, D'EXPLOSION OU D'ARC ÉLECTRIQUE

- Ne pas installer l'équipement dans un environnement sale ou poussiéreux quelque soit les types ou natures de saletés ou poussières.
 - Ne pas installer l'équipement dans des zones où des risques de fuite de fluide sont probables (passage de canalisations à proximité de l'équipement...).
 - Ne pas installer cet équipement dans une zones classée ATEX (atmosphère explosive).
- Le non-respect de ces instructions provoquera la mort ou des blessures graves.**

AVERTISSEMENT

RISQUE D'ÉCHAUFFEMENT A L'INTÉRIEUR DE L'ÉQUIPEMENT

- Ne pas installer sur un sol chauffant (infracables, résistances chauffantes, tuyaux de chauffage pour fluides caloripporteurs).
- Le non-respect de ces instructions peut provoquer la mort, des blessures graves ou des dommages matériels.**

Limite de fonctionnement

- Usage intérieur exclusivement.
- Alimentation :
 - fluctuations de la tension du réseau d'alimentation : -10 % à +10 % de la tension nominale
 - surtensions transitoires pour le réseau d'alimentation : catégorie d'installation III (CEI 61010-1)
 - distorsion et harmonique :
 - 4 % < THDu ≤ 7 %
 - ou
 - 25 % < Gh/Sn ≤ 50 %.

Propreté

- L'emplacement destiné à l'installation de l'équipement doit être propre.
- L'équipement étant très sensible à la poussière, l'application sur le sol d'une peinture anti-poussière est recommandée afin de limiter le risque de dépôt de poussière à l'intérieur de l'équipement.

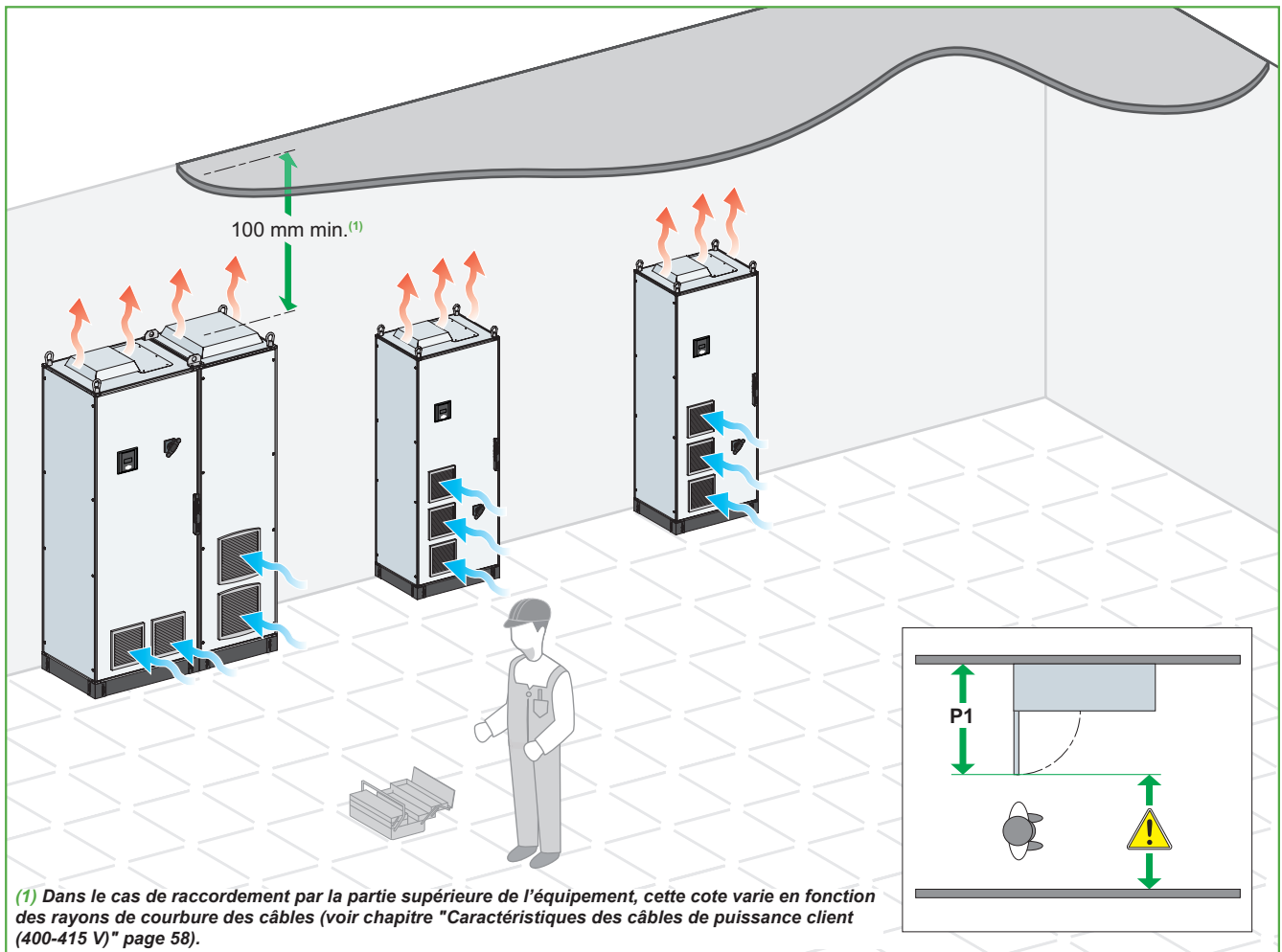
Autres conditions d'utilisation

Pour toute installation en dehors de ces caractéristiques, consulter Schneider Electric.

Réserve d'espace autour de l'équipement

Prévoir :

- un espace nécessaire à une ventilation correcte des équipements
- un espace suffisant pour permettre l'arrivée des câbles courant faible et courant fort
- un espace suffisant autour de l'équipement pour les futures extensions
- un espace suffisant pour permettre la maintenance
- un espace suffisant pour permettre l'ouverture des portes
- un espace libre à proximité des entrées et sorties d'air.



⚠ AVERTISSEMENT

RISQUE D'ÉCHAUFFEMENT À L'INTÉRIEUR DE L'ÉQUIPEMENT

- Respecter les distances d'espace minimales spécifiées autour des entrées et sorties de ventilation.
- Espacer de 200 mm minimum 2 sorties de ventilation situées en vis à vis.
- Ne placer aucune source de chaleur en face d'une entrée de ventilation.

Le non-respect de ces instructions peut provoquer la mort, des blessures graves ou des dommages matériels.

⚠ AVERTISSEMENT

RISQUE D'OBSTRUCTION DES VOIES D'ÉVACUATION

- Respecter les distances de sécurité pour permettre le passage en cas d'évacuation des locaux, conformément à la réglementation applicable.

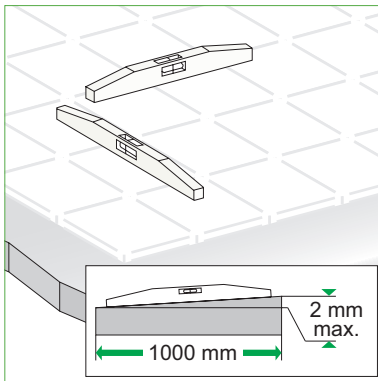
Le non-respect de ces instructions peut provoquer la mort, des blessures graves ou des dommages matériels.

Caractéristiques des sols et des murs

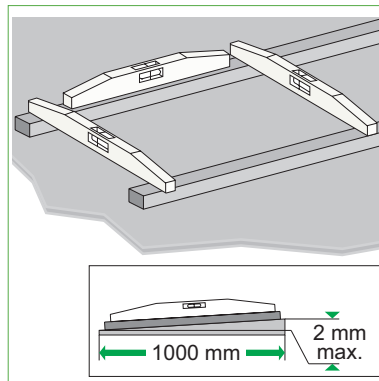
Le sol doit présenter une planéité correcte. La tolérance acceptée est de ± 2 mm/m. Dans le cas contraire, utiliser des supports profilés U,T, I en vérifiant la rectitude et le niveau obtenus dans les 2 axes.

Préparation des sols

Planéité et horizontalité des sols

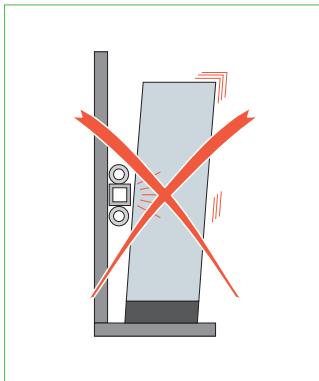


Contrôle de niveau.



Contrôle de niveau.

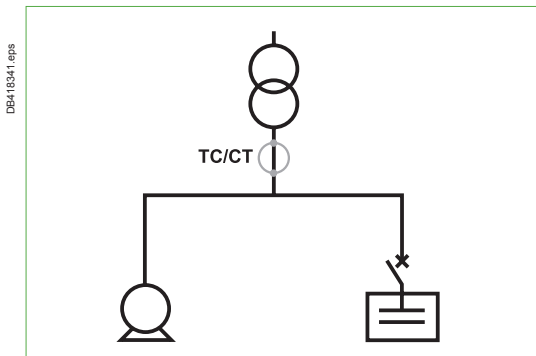
Planéité des murs



Contrôle de niveau.

Aucun élément ne doit appuyer contre la face arrière de l'équipement.

Caractéristiques de l'installation en amont de l'équipement



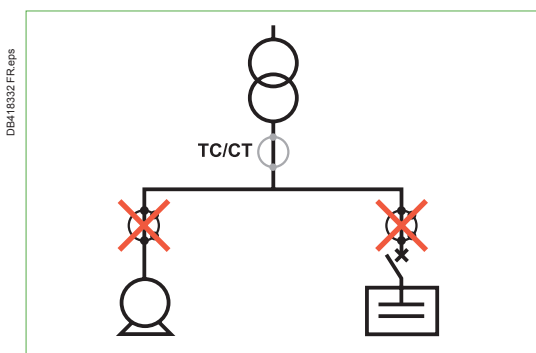
Protection en amont de l'équipement.

Protection en amont de l'équipement

Vous devez protéger votre équipement en amont à l'aide d'un dispositif de protection adéquat.

Ce dispositif vous permet de :

- faire la consignation de votre équipement
- protéger votre installation du tableau principal à votre équipement
- relier l'alarme de température excessive à ce dispositif de protection amont dans le cas d'une version à compensation fixe sans disjoncteur de protection principale inclus.



Emplacement du TC sur le circuit de puissance.

Mesure de courant pour la compensation automatique

Caractéristiques du transformateur de courant

- S'assurer que le courant de sortie est de 1 ou 5A (le 5A est privilégié).
- S'assurer que la puissance est supérieure à 10 VA.
- S'assurer que la classe du TC est cl1.

Emplacement du transformateur de courant

- Installer le TC impérativement en amont de l'équipement et des récepteurs (moteurs...) ; voir schéma ci-contre.

Ne pas réaliser de dérivation

Le transformateur de courant doit être dédié à l'équipement.

- Risque d'envoi de mauvaises informations au niveau du régulateur.
- Risque de perte de bénéfice de l'utilisation de l'équipement.

Connexion de terre du secondaire du transformateur de courant

Le transformateur de courant doit être connecté à la terre. Se référer à la notice du fabricant pour sa bonne installation.

Caractéristiques des câbles client et des capacités de raccordement

Caractéristiques des câbles de puissance client (400-415 V)

Type de câbles préconisés : 1000 V, 105 °C.

Les câbles doivent être dimensionnés pour un courant de 1,5 I_n minimum.

Les sections fournies dans les tableaux sont données à titre indicatif.

Elles ne tiennent pas compte :

- des longueurs à mettre en œuvre
- du mode de pose : goulotte ou caniveau
- de la température ambiante autour du conducteur.

⚠ AVERTISSEMENT

RISQUE DE PERTE D'ISOLEMENT ET DE COURT-CIRCUIT

Dimensionner les câbles de puissance selon les normes CEI 60439-1 et CEI 61921.

Le non-respect de ces instructions peut provoquer la mort, des blessures graves ou des dommages matériels.

Sections recommandées pour les câbles de puissance client

Fréquence Hz	Rang d'accord self anti- harmonique	Puissance kvar	Courant de dimensionnement des câbles I A	Section mini. de raccordement en cuivre		Capacité maxi. de raccordement				
				nb de câbles	mm ²	nb de câbles	mm ²	nb de câbles	mm ²	
Coffrets										
50	4.2	50	108	1	35	1	120 (*)	2		120
		75	162	1	70					
		87.5	189	1	95					
		100	216	1	95					
		125	270	1	120					
		137.5	298.5	1	185	2	240	2		240
		150	325.5	1	185					
		175	379.5	1	240					
		200	433.5	2	150					
		225	487.5	2	150					
		250	541.5	2	185					
		275	595.5	2	185					
		300	649.5	2	240					
		350	757.5	2	240	3	185	3		185
		400	865.5	3	185					
		450	975	3	185					
		500	1083	3	185	3	240	3		240
		550	1191	3	240					
		600	1299	3	240					
		700								
										500kvar + 200kvar
										500kvar + 300kvar
										500kvar + 400kvar
										500kvar + 500kvar
										500kvar + 600kvar
										500kvar + 600kvar

Caractéristiques des câbles client et des capacités de raccordement

Sections recommandées pour les câbles de puissance client

Fréquence Hz	Rang d'accord self anti- harmonique	Puissance kvar	Courant de dimensionnement des câbles I A	Section mini. de raccordement en cuivre		Capacité maxi. de raccordement					
				nb de câbles	mm ²	nb de câbles	mm ²	nb de câbles	mm ²		
Enclosures											
50	3.8	50	108	1	35	1	120 (*)	2	120		
		75	162	1	70						
		87.5	189	1	95						
		100	216	1	95						
		125	270	1	150						
		137.5	298.5	1	185	2	240	2	240		
		150	325.5	1	185						
		175	379.5	1	240						
		200	433.5	2	150						
		225	487.5	2	150						
		250	541.5	2	185						
		275	595.5	2	185						
		300	649.5	2	240						
		350	757.5	2	240	3	185	3	185		
		400	865.5	3	185						
		450	975	3	185	3	240	3	240		
		500	1083	3	185						
		550	1191	3	240						
		600	1299	3	240						
							500kvar + 200kvar				
							500kvar + 300kvar				
					500kvar + 400kvar						
					500kvar + 500kvar						
					500kvar + 600kvar						
					500kvar + 600kvar						
50	2.7	50	108	1	35	1	120 (*)	2	120		
		75	162	1	70						
		87.5	189	1	95						
		100	216	1	95						
		125	270	1	150						
		137.5	298.5	1	185	2	240	2	240		
		150	325.5	1	185						
		175	379.5	1	240						
		200	433.5	2	150						
		225	487.5	2	150						
		250	541.5	2	185						
		275	595.5	2	185						
		300	649.5	2	240						
		350	757.5	2	240	3	185	3	185		
		400	865.5	3	185						
		450	975	3	185	3	240	3	240		
		500	1083	3	185						
		550	1191	3	240						
		600	1299	3	240						

(1) According to the connection accessories used.

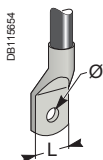
Caractéristiques des câbles client et des capacités de raccordement

Sections recommandées pour les câbles de puissance client

Fréquence Hz	Rang d'accord self anti-harmonique	Puissance kvar	Courant de dimensionnement des câbles I A	Section mini. de raccordement en cuivre		Capacité maxi. de raccordement				
				nb de câbles	mm ²	nb de câbles	mm ²	nb de câbles	mm ²	
Coffrets										
60	4.2	100	216	1	95	1	120 (*)	2	120	
		150	325.5	1	185	2	240	2	240	
		200	433.5	2	150					
		300	649.5	2	240	3	185	3	185	
		400	865.5	3	185	2	240	2	240	
		500	1083	3	185	3	240	3	240	
		600	1299	3	240					
	3.8	100	216	1	95	1	120 (*)	2	120	
		150	325.5	1	185	2	240	2	240	
		200	433.5	2	150					
		300	649.5	2	240	3	185	3	185	
		400	865.5	3	185	2	240	2	240	
		500	1083	3	185	3	240	3	240	
		600	1299	3	240					
	2.7	100	216	1	95	1	120 (*)	2	120	
		150	325.5	1	185	2	240	2	240	
		200	433.5	2	150					
		300	649.5	2	240	3	185	3	185	
		400	865.5	3	185	2	240	2	240	
		500	1083	3	185	3	240	3	240	
		600	1299	3	240					

(*) Dimension max avec cosse :

Cosse	L(mm)	≤25
	ø(mm)	8.5



Caractéristiques des câbles client et des capacités de raccordement

Caractéristiques du conducteur de mise à la terre

▲ AVERTISSEMENT

RISQUE DE PERTE D'ISOLEMENT ET DE COURT-CIRCUIT

Dimensionner la section du conducteur de protection de terre selon la norme CEI 60364-5-54.

Le non-respect de ces instructions peut provoquer la mort, des blessures graves ou des dommages matériels.

Capacité de raccordement du conducteur de mise à la terre :

- 1 trou pour vis M10.

Caractéristiques des câbles auxiliaires

Type de câbles préconisés : 1000 V, 105 °C.

Les valeurs sont données à titre indicatif ; il convient d'adapter la section d'après l'environnement, la longueur des câbles.

Matériel	Section mm ²	Section maxi mm ²	Nb de bornes	Nb de conducteurs par borne (Fil souple/rigide)
Transformateur de courant	2,5	4	2	1
Protection des auxiliaires en version sans transformateur de tension	2,5	2,5	2	1
Groupe électrogène	1	2,5	2	1
Alarme régulateur	1	2,5	2	1
Alarme température	1	2,5	2	1
Commande cos φ2	0,6	1	2	1

Pour toutes autres sections à mettre en œuvre, consulter les services de Schneider Electric.

Matériel à prévoir pour le raccordement du module de communication

Non inclus dans l'équipement.

- Câble recommandé : Belden 3106A blindé AWG22 3 brins.

Réception et manutention de l'équipement

Les marchandises voyagent toujours aux risques et périls du destinataire. La société Schneider Electric décline toute responsabilité quand aux manquants ou aux dommages survenus lors du transport de l'équipement, et ne saurait en aucun cas en supporter les frais. En cas d'avarie ou d'élément manquant, adresser les réserves d'usage sous pli recommandé au transporteur en rappelant la référence du bordereau de livraison.

Réception

- Vérifier la correspondance des informations des colis et du bon de livraison avec celles du bon de commande : référence de l'équipement, nombre de colis.
- S'assurer à l'arrivée du matériel et avant toute manipulation que les caisses et emballages ayant servi au transport sont en parfait état.
- Malgré le bon état apparent de l'emballage, ne pas hésiter à procéder au déballage en présence d'un agent autorisé de la compagnie de transport (voir section "Déballage de l'équipement" en page suivante).

▲ AVERTISSEMENT

RISQUE DE DYSFONCTIONNEMENT DE L'ÉQUIPEMENT

Ne pas installer l'équipement en cas de détérioration constatée.

Le non-respect de ces instructions peut provoquer la mort, des blessures graves ou des dommages matériels.

Manutention

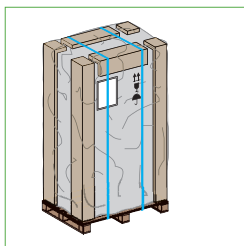
▲ AVERTISSEMENT

RISQUE DE CHUTE OU DE BASCULEMENT DE L'ÉQUIPEMENT LORS DE LA MANUTENTION

- Respecter rigoureusement le mode et les zones de levage préconisés (voir tableau ci-dessous).
- Tenir compte de la position du centre de gravité pour manutentionner les équipements.
- Utiliser des moyens de manutention adaptés aux dimensions et à la masse de l'équipement.
- Positionner correctement les moyens de manutention.
- Déplacer l'équipement avec beaucoup de précautions.
- Vérifier que cette position est conservée lors du déplacement de l'équipement.
- Éviter les chocs et les déformations.

Le non-respect de ces instructions peut provoquer la mort, des blessures graves ou des dommages matériels.

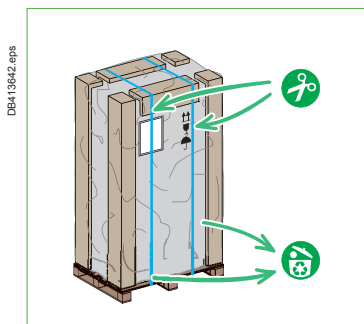
Tous les équipements sont montés sur palette et peuvent être manutentionnés par le bas. Utiliser de préférence un chariot élévateur.



Position centre de gravité (emballage standard).

DB413885.eps





Déballage.

- Déballer de préférence les équipements sur leur lieu d'installation.
- Attention à ne pas détériorer l'équipement avec l'outil utilisé pour découper l'emballage.

▲ AVERTISSEMENT

RISQUE DE CHUTE OU DE BASCULEMENT DE L'ÉQUIPEMENT LORS DU DÉBALLAGE.

- Porter les équipements de protection individuelle (EPI) adaptés.
- Manipuler l'équipement avec beaucoup de précautions.
- Tenir compte de l'étiquette indiquant le centre de gravité.

Le non-respect de ces instructions peut provoquer la mort, des blessures graves ou des dommages matériels.

- Couper les liens et retirer les cartons ou plastiques de protection.

Les matériaux d'emballage de cet appareil sont recyclables. Participez à leur recyclage et contribuez ainsi à la protection de l'environnement en les déposant dans les conteneurs prévus à cet effet.

Nous vous remercions de votre collaboration à la protection de l'environnement.

- S'assurer en examinant minutieusement le matériel qu'il n'a pas reçu de choc nuisible à son isolement et à son fonctionnement :

- absence de pièces cassées
- composants électriques détériorés ou mal positionnés
- fonctionnement de la porte et de sa serrure
- problème sur les raccordements internes.

▲ AVERTISSEMENT

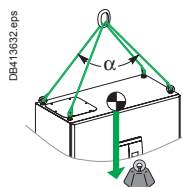
RISQUE DE DYSFONCTIONNEMENT DE L'ÉQUIPEMENT

Ne pas installer l'équipement en cas de détérioration constatée.

Le non-respect de ces instructions peut provoquer la mort, des blessures graves ou des dommages matériels.

- Retirer l'équipement de la palette de transport à l'aide d'outils appropriés et conformément au tableau ci-dessous.

Type	VLVAF5N and VLVF7N enclosures
Angle	Solution 1 ⁽¹⁾ ⁽²⁾



(α)	Masse maximale (kg)
45°	1160
60°	830
90°	480

(1) Prendre les précautions nécessaires lors du levage pour éviter le basculement de l'ensemble (voir position indiquée du centre de gravité).

(2) En cas d'élingage, utiliser de préférence tous les anneaux de levage présents sur l'équipement.

Stockage

AVIS

RISQUE DE DÉTÉRIORATION DU MATÉRIEL

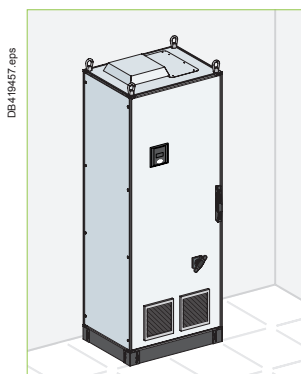
- Stocker dans un local sec, aéré, à l'abri de la pluie, des intempéries et de la poussière.
- Dans le cas où le matériel est stocké en attendant son installation, respecter une température de stockage comprise entre -20 et 40 °C.
- Ne pas stocker les équipements à l'extérieur même sous une bâche.
- L'équipement doit de préférence rester emballé jusqu'à son installation finale.

Le non-respect de ces instructions peut provoquer des dommages matériels.

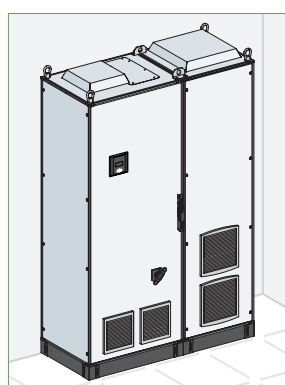
⚠ AVERTISSEMENT

RISQUE DE BASCULEMENT DU COFFRET

- Fixer l'équipement en utilisant les points de fixation indiqués ci-dessous.
 - Utiliser des fixations adaptées à la nature du support et à la masse de l'équipement (voir "Dimensions et masses des équipements" en page 51).
- Le non-respect de ces instructions peut provoquer la mort, des blessures graves ou des dommages matériels.**



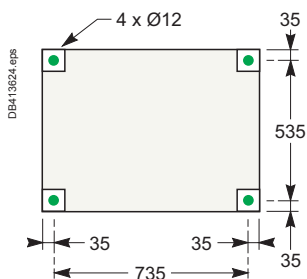
VLVFF2P, VLVA2Pz, VLVA3P, VLVA5P



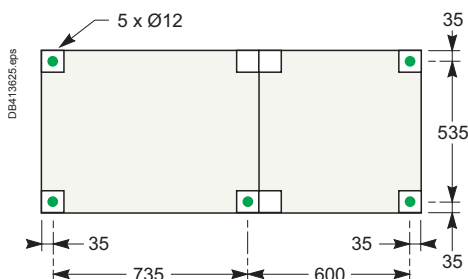
VLVA6P

Cotes de fixation au sol (mm)

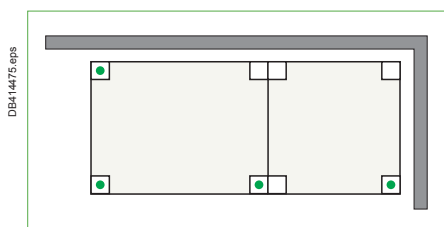
VLVAW2N et VLFW2N



VLVA6P

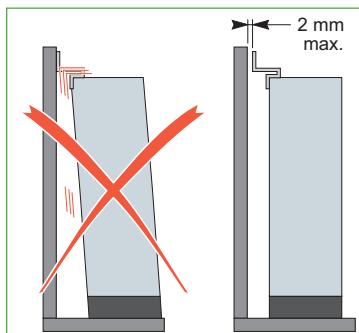


Fixation en angle:



Légende :

- Position de la vis.



Ecart max. autorisé entre le mur et le haut des pattes de fixation avant de fixer.



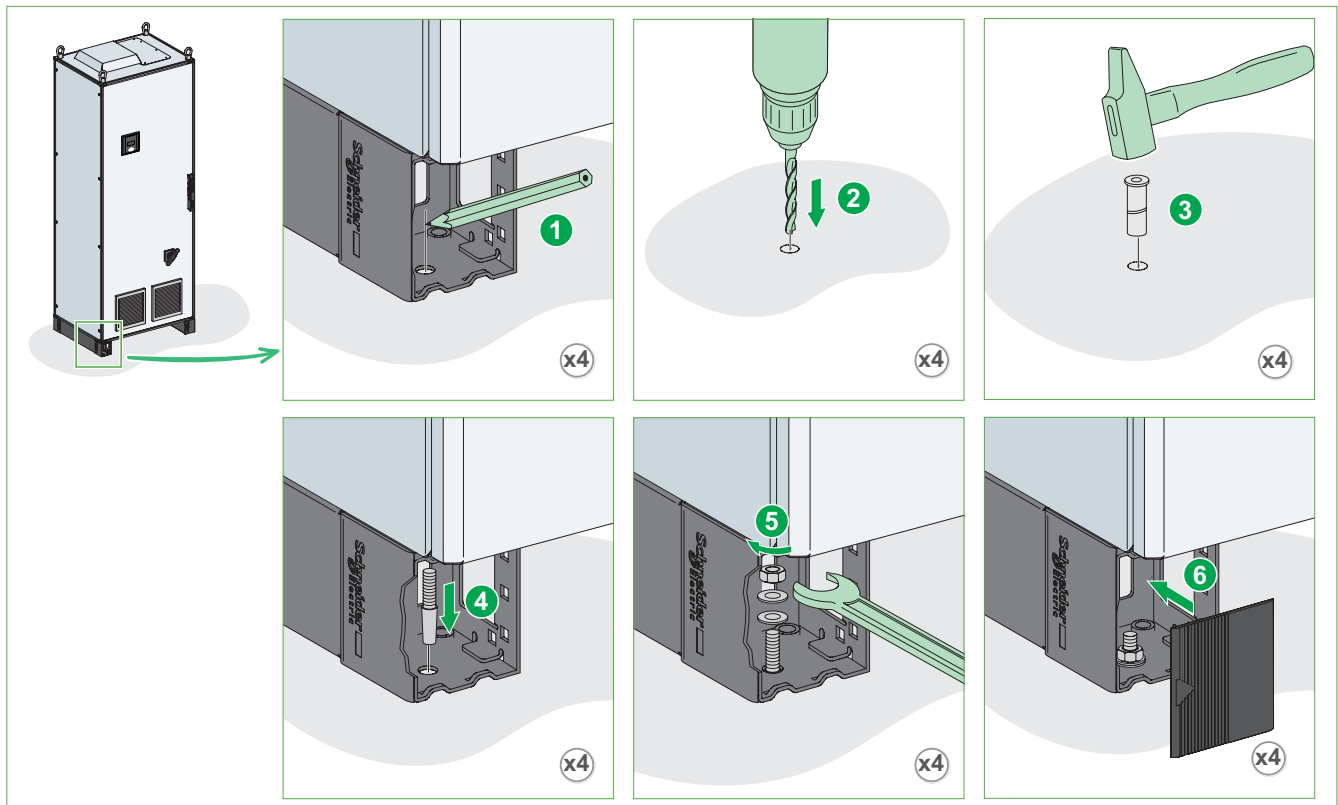
- Positionner l'équipement à l'emplacement choisi.
- Déclipser les caches des angles du socle.
- Repérer les points de fixation, voir comme indiqué ci-dessous.
- Tenir compte de la position du centre de gravité pour manutentionner les équipements.
- Percer le sol et positionner les éléments de fixation.
- Positionner l'équipement dans son emplacement et visser les vis de fixation.

⚠ AVERTISSEMENT

RISQUE DE BASCULEMENT DE L'ARMOIRE

- Fixer l'équipement en utilisant les points de fixation indiqués.
- Utiliser des fixations adaptées à la nature du support et à la masse de l'équipement.

Le non-respect de ces instructions peut provoquer la mort, des blessures graves ou des dommages matériels.



Repérage des points de fixation au sol.

Le raccordement de chaque armoire au réseau principal doit être indépendant comme illustré sur l'exemple du raccordement correct.

Il est interdit de dériver la puissance depuis l'équipement Maître vers l'équipement Esclave comme illustré sur l'exemple du raccordement interdit.

Chaque équipement doit être protégé par un dispositif de protection adéquat.

⚠ ⚠ DANGER

RISQUE DE CHOC ÉLECTRIQUE, D'EXPLOSION OU D'ARC ÉLECTRIQUE

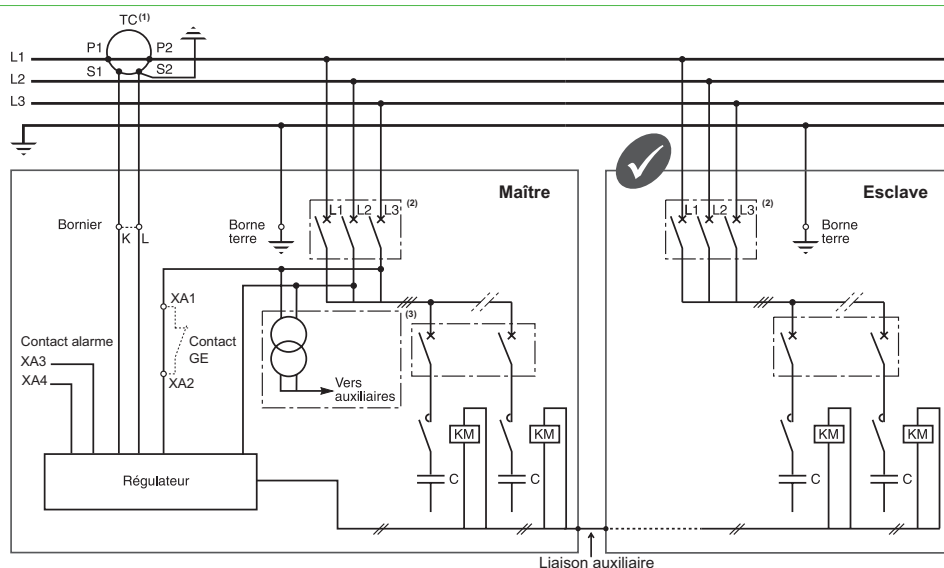
- Porter un équipement de protection individuel (EPI) et suivre les règles de sécurité liées aux travaux d'électriques. Voir NFPA 70E, CSA Z462 ou normes locales équivalentes.
- Cet équipement doit être installé et entretenu par du personnel qualifié.
- Couper toutes les alimentations de cet équipement avant de travailler sur ou à l'intérieur de l'équipement.
- Utiliser toujours un dispositif au bon calibre et approprié à la détection de tension pour confirmer la coupure de l'alimentation.
- Avant de toucher toute partie active, attendre au moins 5 minutes pour que l'équipement s'autodécharge puis mettre en court-circuit les bornes de chaque condensateur et les mettre à la terre.
- Replacer tous les dispositifs, les portes et les couvercles avant de remettre cet équipement sous tension.

Le non respect de ces instructions provoquera la mort ou des blessures graves.

fr

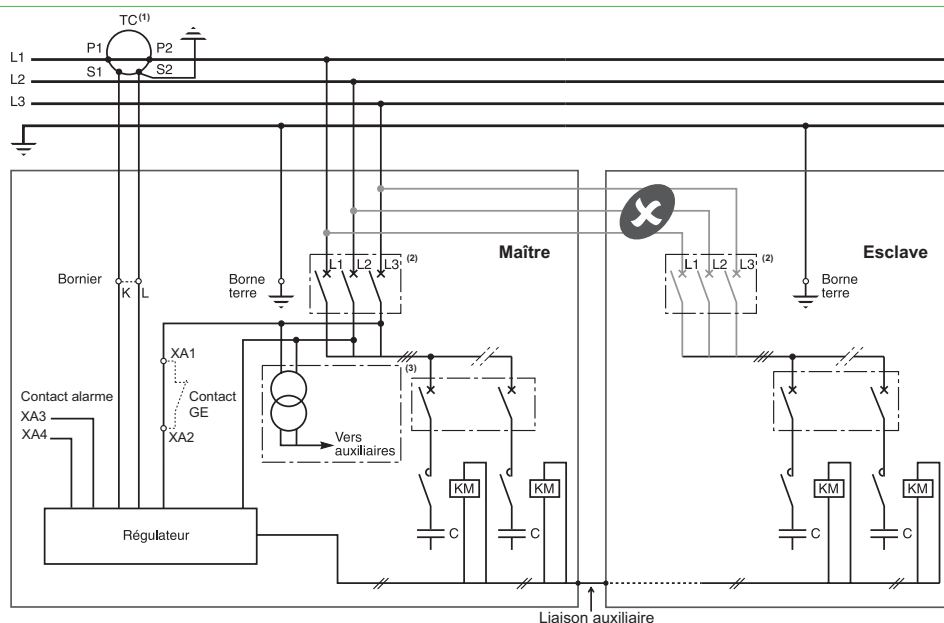
Raccordement des armoires VLVA8P

Raccordement correct



DB418506 FR eps

Raccordement interdit

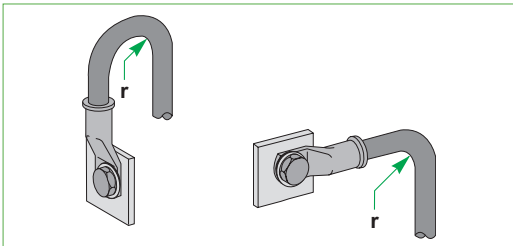


DB418507 FR eps

Mise en œuvre des câbles

Rayon de courbure

DB-13510 eps



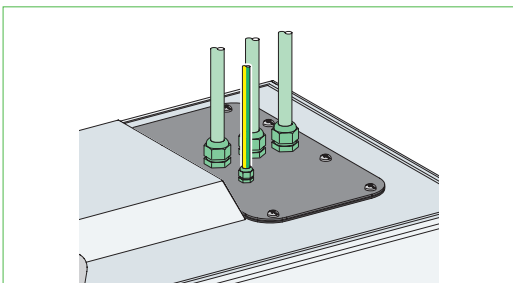
Les normes préconisent un rayon de courbure de 6 à 8 fois le diamètre. Se référer au rayon de courbure donné par le fournisseur de câbles.

Rayon de courbure.



Capacité maxi de la plaque passe-câbles pour les câbles de puissance

DB-13609 eps



Equipement	Quantité
Coffrets	
VLVAF2P, VLVFF2P, VLVAF3P, VLVAF5P, VLVAF6P	12
VLVAF8P	12+12

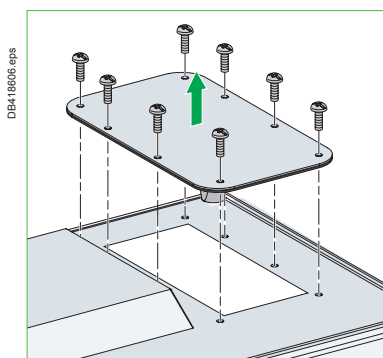
Préparation des câbles pour raccordement

⚠ ⚠ DANGER**RISQUE DE CHOC ÉLECTRIQUE, D'EXPLOSION OU D'ARC ÉLECTRIQUE**

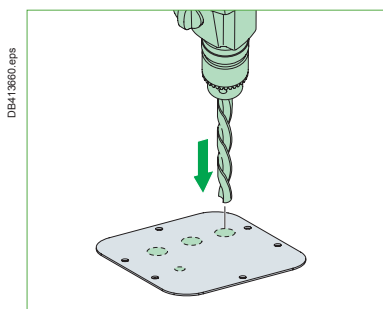
Se tenir à l'écart du coffret ou de l'armoire lors du perçage, afin d'éviter toute chute de copeaux dans les équipements.

Le non-respect de ces instructions provoquera la mort ou des blessures graves.

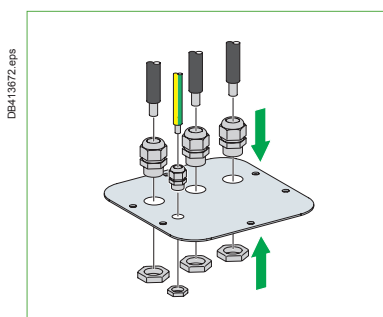
- Retirer la plaque passe-câbles.



Retrait de la plaque passe-câbles.



Perçage de la plaque passe-câble.

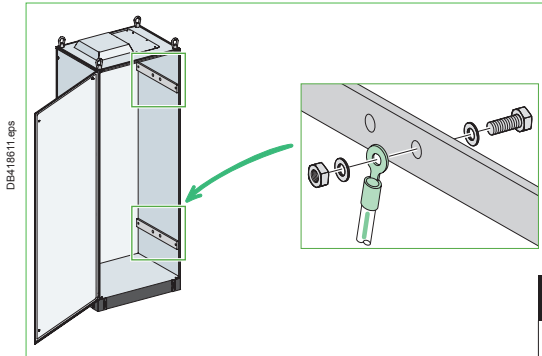


Passage des câbles et mise en place des presse-étoupes.

- Utiliser des forets ou des emporte-pièces selon les diamètres des trous à réaliser pour permettre le passage :
 - des câbles de puissance
 - des 2 fils du transformateur de courant (pour les modèles à compensation automatique)
 - du câble de mise à la terre
 - du câble de communication (Si nécessaire).

- Passer les câbles à travers la plaque en plaçant des presse-étoupes (non fournis) de performance équivalente à l'indice de protection de l'équipement.

Nota : pour une entrée des câbles par le bas, procéder de même avec la plaque passe-câble basse.



Raccordement avec barre de terre.

Raccordement à la terre

- Dévisser le capuchon de protection situé sur le goujon de terre.
- Réaliser la liaison en utilisant un câble de section appropriée ; voir paragraphe "Caractéristiques des câbles client" en page 58 pour la section des câbles de protection.
- La liaison se fait à l'aide d'un écrou avec rondelle de contact de chaque côté.
- Appliquer un couple de serrage de : 75 N.m (vis M12 classe 8-8) pour une barre de terre.

Raccordement des câbles de puissance client

⚠ ⚠ DANGER

RISQUE DE CHOC ÉLECTRIQUE, D'EXPLOSION OU D'ARC ÉLECTRIQUE

- Voir tableau de section des câbles de puissance.
- Se référer à la notice du disjoncteur de protection fournie avec votre équipement pour le type de liaison à réaliser (cosse, embout).
- Connecter les câbles avec les rondelles et écrous vis.
- Respecter les couples de serrage.

Le non respect de ces instructions provoquera la mort ou des blessures graves.

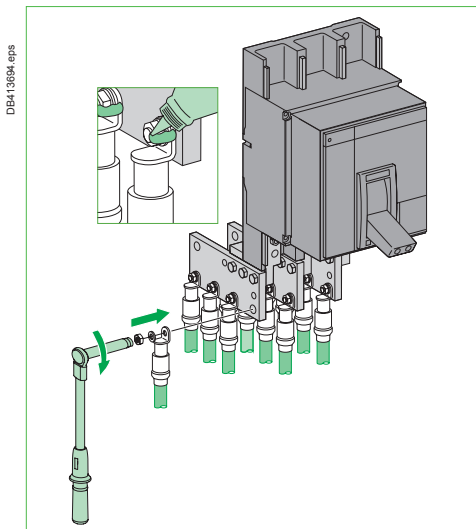
- Visser les cosses sur les bornes et plages de raccordement comme indiqué ci-dessous.
- L'ordre des phases L1, L2, L3 doit correspondre à l'ordre des phases sur le bornier ou l'appareil de protection de l'équipement.
- Serrer les vis au couple défini, voir tableau ci-dessous.
- Marquer la connexion à l'aide d'un vernis adapté.
- Fretter les câbles sur les maintiens.

Type de disjoncteurs de protection selon configuration

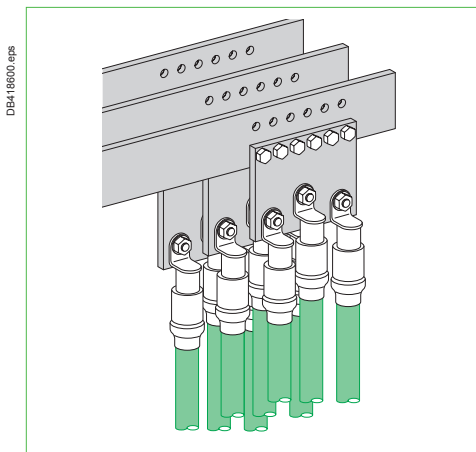
Equipement		Protection d'entrée
Armoires		
VLVAF8P	Maître	NS1000 N/H
		NS1250 N/H
	Esclave	NS630B N/H
		NS800 N/H
		NS1000 N/H
		NS1250 N/H

Couple de serrage

Compact NS	Plages de raccordement sur jeu de barre
50 N.m	M10 = 50 N.m



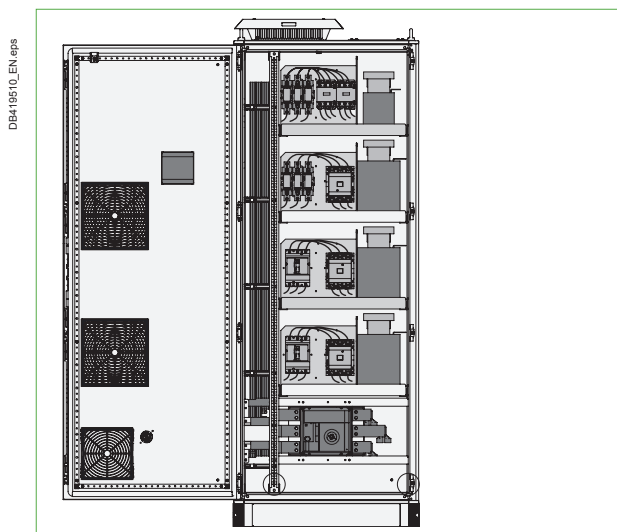
Raccordement sur disjoncteur Compact NS630b-1600.



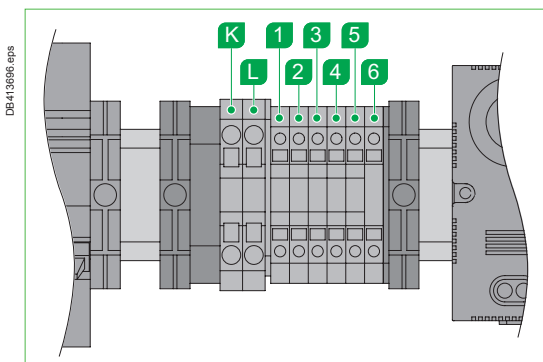
Raccordement avec plages cuivre.



Raccordement auxiliaires



Bornier de raccordements auxiliaires.



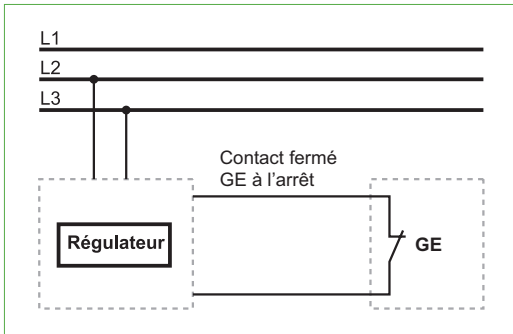
Désignation des bornes.

Equipement	Mesure courant régulateur	Groupe électrogène	Alarme régulateur	Information alarme température
Caractéristiques				
	Entrée courant 1A ou 5A (5A est préférable) Puissance 5 VA	Entrée contact sec. 415 V, ≤ 50 mA	Sortie contact sec. Contact NF Alarme présente = contact fermé 2 A / 250 V AC	Contact défaut du disjoncteur principal 4 A / 240 V AC ou 2 A / 440 V AC
Coffret				
VLVAF2P, VLVFF2P, VLVAF3P, VLVAF5P, VLVAF6P, VLVAF8P	K L	1 2	3 4	5 6

Consulter le paragraphe "Caractéristiques des câbles de puissance client (400-415 V)" en page 61 pour la section des câbles auxiliaires.



DB413635 FR eps



Raccordement avec groupe électrogène

AVIS

RISQUE DE DÉGRADATION DE PERFORMANCE DE L'INSTALLATION
 Il est indispensable de déconnecter la batterie lors du fonctionnement du groupe électrogène.
Le non-respect de ces instructions entraînera le non démarrage du groupe électrogène et la perte de disponibilité de l'installation.

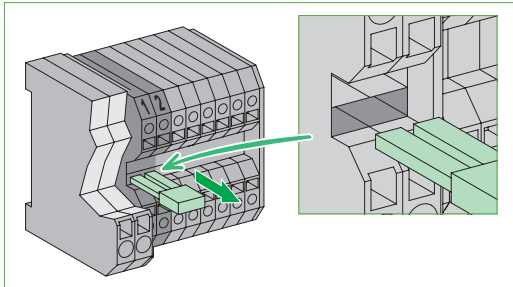
Dans le cas de présence d'un groupe électrogène, raccorder les fils provenant du groupe électrogène sur les bornes 1 et 2.

Caractéristiques

- Contact sec, normalement fermé (contact fermé = groupe électrogène à l'arrêt).
- Caractéristique du contact : 415 V CA, ≤ 50 mA.

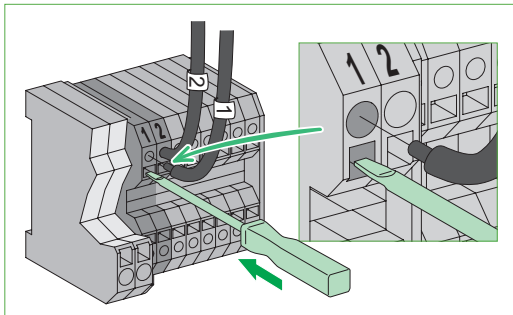
Retirer le cavalier.

DB413636 eps



Retrait du cavalier du bornier de raccordement du groupe électrogène.

DB413636 eps



Raccordement du groupe électrogène.

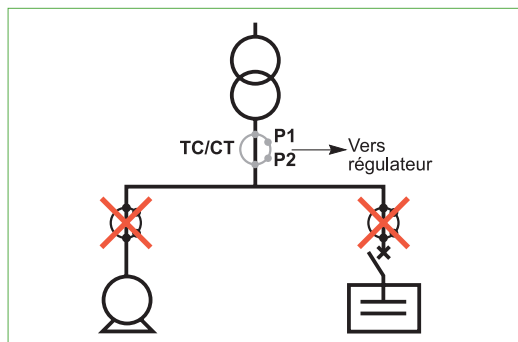
Raccorder sur les bornes 1 et 2 les 2 fils provenant du groupe électrogène.

Au démarrage du groupe électrogène, l'alimentation du régulateur est coupée, la batterie cesse de fonctionner.

Pour la compensation automatique uniquement.

Installation de transformateur de courant (TC) sur le réseau

■ Installer le TC impérativement en amont de l'équipement et des récepteurs (moteurs...) ; voir schéma ci-contre.



Emplacement du TC sur le circuit de puissance.

Raccordement du transformateur de courant

■ Raccorder la borne S1 sur la borne K du bornier et S2 sur la borne L du bornier.

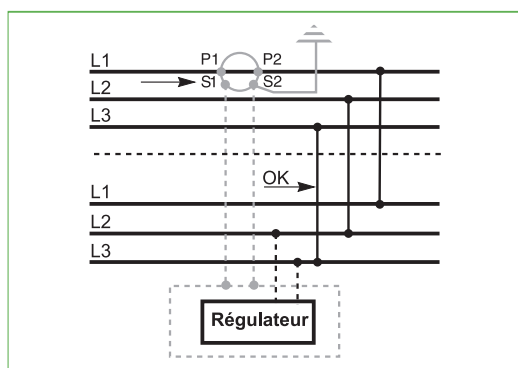
Pour plus d'informations, se référer à la documentation du TC (non fourni par Schneider Electric).

■ Retirer le cavalier après avoir relié le TC au bornier, voir ci-dessous.

En cas d'intervention sur le circuit secondaire du TC, conserver le cavalier Schneider Electric, réf. NSYTRAL42.

Le transformateur de courant doit être placé sur la phase 1 du circuit de puissance.

Le circuit secondaire du transformateur de courant doit être connecté à la terre.



Raccordement du TC.

Raccordement du transformateur de courant (TC) sur le régulateur

Le but est de relier le régulateur à la mesure de courant du réseau client. Cette opération concerne uniquement les modèles à compensation automatique.

⚠ ⚠ DANGER

RISQUE DE CHOC ÉLECTRIQUE, D'EXPLOSION OU D'ARC ÉLECTRIQUE

■ Ne jamais ouvrir le circuit secondaire d'un transformateur de courant lorsque le circuit primaire est sous tension

■ Avant toute intervention sur le circuit secondaire, les bornes secondaires du transformateur de courant doivent être court-circuitées en utilisant le cavalier Schneider Electric ref. NSYTRAL42.

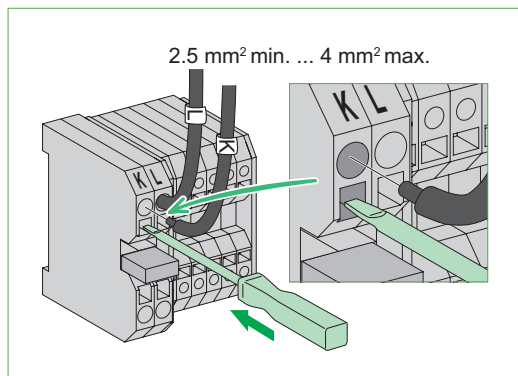
Le non-respect de ces instructions provoquera la mort ou des blessures graves.

Ne pas réaliser de dérivation

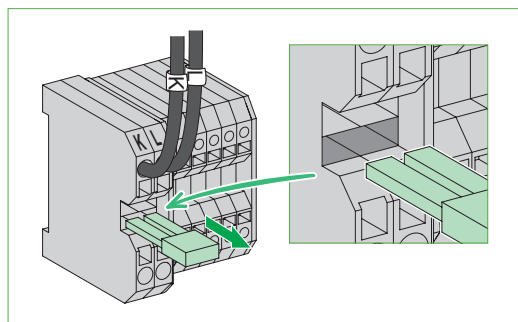
Le transformateur de courant doit être dédié à l'équipement.

■ Risque d'envoi de mauvaises informations au niveau du régulateur.

■ Risque de perte de bénéfice de l'utilisation de l'équipement.



Raccordement d'un TC.



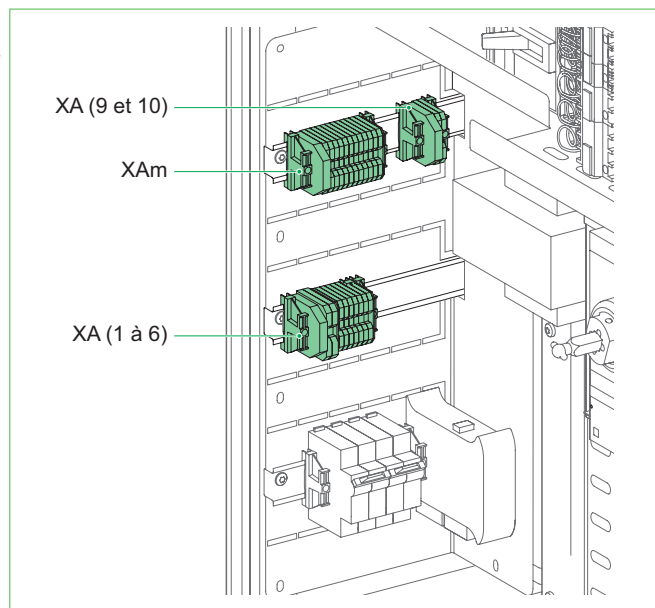
Retrait du cavalier sur le bornier de raccordement du TC.

Raccordement de la partie commande d'une armoire maître esclave

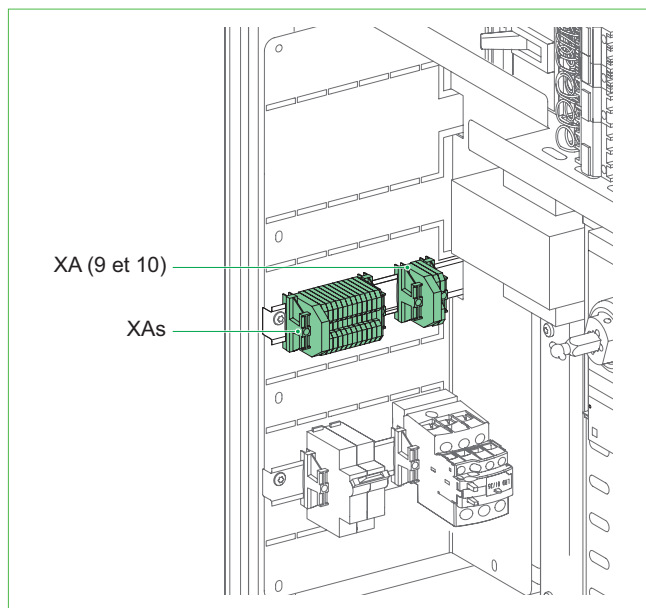
La commande de l'équipement Esclave (borne de raccordement XAs) doit être raccordée à l'équipement Maître (borne de raccordement XAm) conformément au plan EAV1886000 fourni avec l'équipement.

Type de câble préconisé (non fourni):

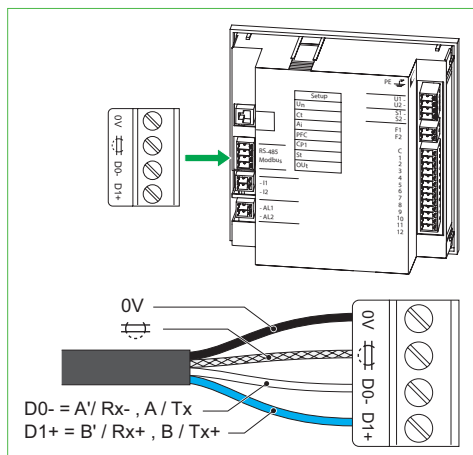
■ isolation 1000 V, 105 °C, section comprise entre 1 mm² et 2,5 mm².



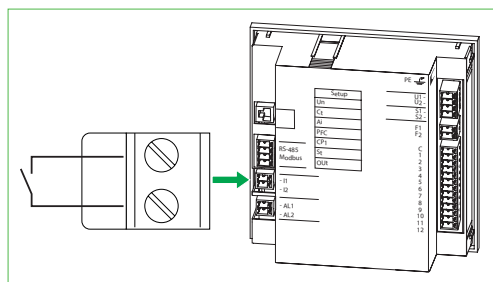
Equipement maître.



Equipement esclave.



Raccordement du module.



Raccordement de la communication

Matériel à prévoir (non inclus dans l'équipement)

- Câble recommandé : Belden 3106A blindé AWG22 3 brins.

Raccordement sur le régulateur

- Ordre des fiches
- 0 V communication
- Blindage de la communication (pas de liaison avec le 0 V, ni avec la masse du contrôleur)
- Signal D0-
- Signal D1+.
- Tension d'isolement 1,3 kV
- Section de câble : 0,2 à 1 mm² (30-19 AWG)
- Câble recommandé : Belden 3106A blindé AWG22 3 brins
- Couple de serrage D1+ = B' / Rx+ , B / Tx+ 0,5 to 5 Nm.

Se référer à la documentation du module de communication Modbus VL6/12 7EN02-0376.

Raccordement de la fonction cos φ 2

- Caractéristiques :
 - Entrée auto-alimentée (5 V-10 mA) pour contact sec. NO ou NF
 - L'état est paramétrable dans le contrôleur, par défaut NO
 - contact ouvert : cos φ 1
 - contact fermé : cos φ 2.
- Section 0,2 à 1 mm², long maxi 100 m.
- Pour une longueur > 50 m, utiliser une section d'au moins 0,6 mm².

Installation du câble de communication ou cos φ 2 à l'intérieur de l'équipement

Depuis la plaque passe câble rejoindre le régulateur en suivant le faisceau des câbles de commande. Voir § Préparation des câbles pour raccordement page 62.

Le câble doit respecter les distances d'isolement et ligne de fuite à l'intérieur de l'équipement.

Selon l'équipement fourni, utiliser des embases de frettage autocollantes pour maintenir le câble depuis la plaque passe câble jusqu'au faisceau des câbles de commande.

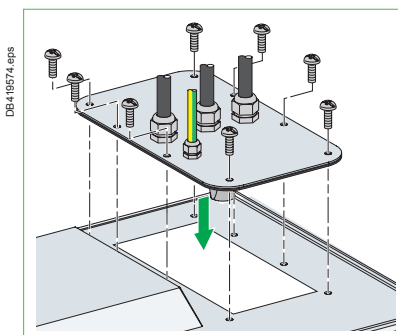
Maintenir le câble sur le faisceau de câbles de commande à l'aide de colliers de frettage supplémentaires.

Positionner les colliers à intervalles réguliers, le câble ne doit pas être libre à l'intérieur de l'équipement.

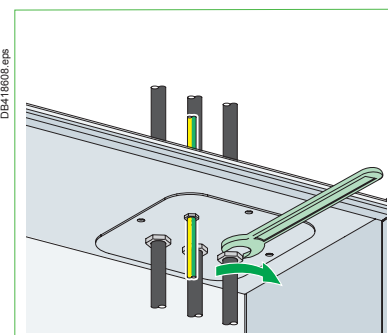
Le câble ne doit pas gêner la rotation de la porte, ni être coincé lors de la fermeture de celle-ci.

Dernières opérations après la réalisation des raccordements

- Remettre en place la plaque passe-câbles et ses vis de fixation, couple de serrage : 1.3^{+0.5}₀ N.m.
- Visser les presse-étoupes.



Remise en place de plaque passe-câbles.



Visserie des presse-étoupes.



Contrôles préliminaires

DANGER

RISQUE DE CHOC ÉLECTRIQUE, D'EXPLOSION OU D'ARC ÉLECTRIQUE

- Toute intervention doit être menée par du personnel électricien qualifié et habilité.
 - L'équipement doit être placé hors tension avant nettoyage.
- Le non-respect de ces instructions provoquera la mort ou des blessures graves.**

Nettoyage

Avant de procéder à sa mise en service et afin de garantir les distances d'isolement et les lignes de fuite, l'équipement doit être débarrassé de poussière ou débris introduits lors de l'installation. Contrôler en particulier les filtres, les grilles de ventilation, les jeux de barre et leurs supports et les connexions électriques.

L'espace autour de l'équipement doit également être débarrassé des accumulations de poussière ou de particules fines.

- Utiliser un aspirateur pour réaliser ce nettoyage.
- Ne jamais nettoyer à l'aide d'air comprimé afin d'éviter le déplacement des saletés vers d'autres surfaces.
- Utiliser des chiffons secs.

Vérifications

- Vérifier l'absence de tout objet étranger dans l'équipement (outils, ...).
- Vérifier l'intégrité de la protection des câbles de puissance en amont et en interne de l'installation.
- Vérifier l'intégrité du conducteur de protection de terre et son raccordement.
- Vérifier les couples de serrage.
- Contrôler la mise en œuvre du transformateur de courant : le positionnement sur la phase 1, les fixations mécaniques et les raccordements électriques.
- Vérifier la configuration du réseau de communication : résistance de polarisation, résistance de fin de ligne.
- Vérifier que la valeur de tension réseau est identique à celle de l'équipement.

Mise sous tension

DANGER

RISQUE DE CHOC ÉLECTRIQUE, D'EXPLOSION OU D'ARC ÉLECTRIQUE

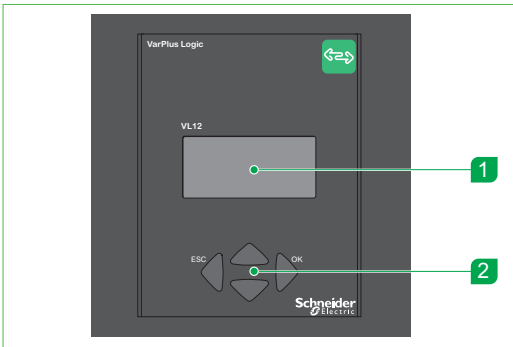
- Toute intervention doit être menée par du personnel électricien qualifié et habilité.
- Respecter le délai de 50 s après mise hors tension avant toute intervention sur l'équipement (durée nécessaire à la décharge des condensateurs).
- Le régulateur n'est pas un dispositif de sécurité ; il ne permet pas la vérification de l'absence de tension.
- L'équipement doit être placé hors tension avant toute opération d'installation ou de maintenance.

Le non-respect de ces instructions provoquera la mort ou des blessures graves.

Vérifications en exploitation

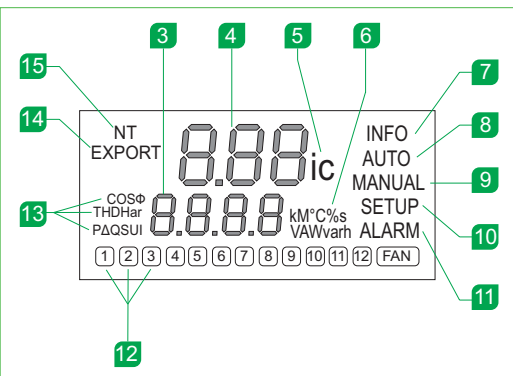
- En cas d'intervention, vérifier obligatoirement l'absence de tension. Le régulateur ne permet pas de vérifier l'absence de tension.
- Vérifier les commandes intempestives provoquées par le régulateur. Définir un seuil du nombre de reconnections sur une durée déterminée en modifiant le paramètre du régulateur.
- En cas de fonctionnement en pleine charge, vérifier le bon enclenchement des gradins.
- Après quelques heures de fonctionnement, mesurer l'évolution de la température du local.

DB419376 eps



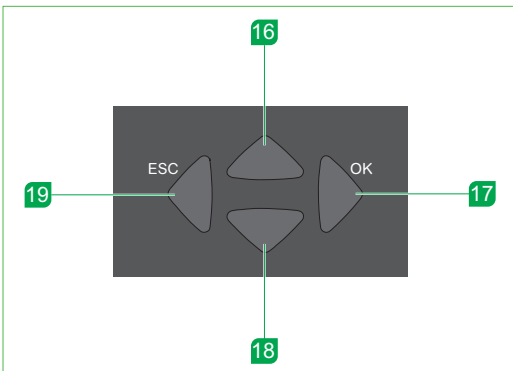
Vue extérieure du régulateur VL6/VL12

DB419377 eps




Ecran du régulateur

DB419378 eps



Touche de navigation du régulateur

 Pour le réglage du régulateur, se reporter à la notice livrée avec le produit.

⚠️ ⚠️ DANGER

RISQUE DE CHOC ÉLECTRIQUE, D'EXPLOSION OU D'ARC ÉLECTRIQUE

Ne jamais réduire le délai d'enclenchement des gradins à un délai inférieur à 50 s.

Le non-respect de ces instructions provoquera la mort ou des blessures graves.

AVIS

RISQUE DE DÉGRADATION DE PERFORMANCES DE L'ÉQUIPEMENT

Le régulateur est paramétré en usine pour un fonctionnement normal et optimal. Toute modification de ces paramètres se fera sous la responsabilité de l'utilisateur.

Le non-respect de ces instructions entraînera la perte totale ou partielle de l'équipement et la non disponibilité de l'installation.

Bien que le régulateur installé dans votre batterie VarSet ait été pré-configuré pour fonctionner avec votre équipement, il reste les réglages suivants à paramétrer :

- la valeur de consigne du paramètre $\cos \varphi$
- la valeur du rapport du transformateur de courant (permet l'affichage correct des grandeurs mesurées).

Nota : Pour des informations détaillées sur le régulateur se référer à la notice de l'appareil livrée avec le matériel.

Important

- En cas d'alimentation via un TC sommateur (installations comportant plusieurs TC), le rapport à prendre en compte est la somme des rapports des différents TC.
- Pour une installation équipée d'un groupe électrogène, il est nécessaire de déclencher la batterie avant de basculer sur le groupe, en coupant l'alimentation du régulateur.

- | | |
|--|--|
| <p>1 Ecran</p> <p>2 Touches de navigation</p> <p>3 Affichage numérique pour les mesures</p> <p>4 Cosinus phi (DPF)</p> <p>5 Cosinus (φ) inductif ou capacitif (en retard ou en avance)</p> <p>6 Unités de mesure</p> <p>7 Informations sur les gradins</p> <p>8 Indique le mode automatique</p> <p>9 Indique le mode de fonctionnement manuel des gradins</p> <p>10 Indique le mode menu de configuration</p> | <p>11 Le clignotement indique que l'alarme est activée</p> <p>12 Numéro de gradin allumé si activé</p> <p>13 Mesure affichée</p> <p>14 Indique un flux de puissance exporté vers le réseau</p> <p>15 Indique qu'une deuxième cible de cosinus (φ) est activée</p> <p>16</p> <ul style="list-style-type: none"> ■ Augmenter les valeurs ■ Sélectionner des éléments de menu <p>17</p> <ul style="list-style-type: none"> ■ Ouvrir le menu ■ Déplacer le curseur vers la droite ■ Paramètres <p>18</p> <ul style="list-style-type: none"> ■ Diminuer les valeurs ■ Sélectionner des éléments de menu <p>19</p> <ul style="list-style-type: none"> ■ Quitter le menu ■ Déplacer le curseur vers la gauche |
|--|--|

Mise en service simple d'un contrôleur VarPlus Logic

Avant de paramétrer le contrôleur, veuillez vous assurer que le cavalier sur les bornes KL soit retiré.

Allez dans SETUP 100 :

1. Configurez le rapport de TC (Ct) et le cosinus (φ) (CP1).
2. Si l'écran du contrôleur affiche PFC OFF, réglez le paramètre PFC sur ON avant de lancer la fonction Ai.
3. Lancez l'initialisation automatique en faisant passer l'option "Ai" de OFF à ON.

La fonction Ai détecte automatiquement les gradins de condensateur connectés et vérifie si la connexion de phase (angle entre la tension et la position du TC) est correcte. La séquence Ai consiste à activer puis désactiver les gradins plusieurs fois. Ce processus dure plusieurs minutes, puis le relais se stabilise.

Pendant cette séquence, le contrôleur affiche "Ai".

Critères minimum pour lancer Ai	Pour une détection de gradin réussie avec Ai
<ul style="list-style-type: none"> ■ Tension conforme à la tolérance ■ TC connecté ■ Protection des condensateurs fermées ■ Courant d'entrée suffisant. 	<ul style="list-style-type: none"> ■ Rapport de TC proportionnel à la dimension du transformateur ■ Taille du plus petit gradin suffisante ■ Niveau de charge au lancement de la séquence Ai suffisant ■ Faible variation de la charge pendant la séquence Ai.

À la fin de la séquence Ai, le contrôleur passe en mode automatique.

Réussite de la séquence Ai	Échec de la séquence Ai [erreur "A brt"]
<ul style="list-style-type: none"> ■ En cas d'inversion du câblage de phase, le contrôleur effectue automatiquement une correction interne de l'angle de phase et passe en mode normal. Le message "Auto" s'affiche. ■ Vérification finale de la détection de gradin : <ul style="list-style-type: none"> □ Allez dans SETUP 100 > OUT > flèche droite (pour ouvrir) et vérifiez que l'état de tous les gradins correspond bien à la configuration du groupe PFC. (FIX OFF = gradin non détecté. AUTO = gradin détecté.) □ Si nécessaire, remplacez l'état OUT par la valeur attendue. 	<ul style="list-style-type: none"> ■ En cas d'échec, relancez la séquence Ai. Si la séquence Ai échoue de nouveau, la connexion de phase (angle entre la tension et la position du TC) ne peut être détectée. La commande PFC se désactive et vous devez régler la connexion de phase manuellement. Reportez-vous au manuel d'utilisation.



Messages affichés par le régulateur et solutions

Le diagnostic d'un problème de fonctionnement, à la mise en service d'un équipement, peut généralement se faire à partir des affichages de l'écran du régulateur.

- L'indicateur ALARM clignote lorsqu'une alarme est active.
- Le menu d'alarme liste les 5 dernières alarmes consignées.

Alarme	Cause	Solution
Al/Abt	Auto-initialisation annulée	En cas de variations de la charge ou si les signaux de courant mesurés sont trop faibles, l'initialisation automatique peut être annulée
U	La tension mesurée se situe hors de la tolérance de tension.	Vérifiez les paramètres pour la tension nominale et le transformateur de tension.
I LO	Le courant mesuré est trop faible (courant de TC < 15 mA).	Erreur de connexion du TC ; court-circuit du TC non déconnecté ; rapport de TC trop élevé par rapport au courant réel ; absence de courant.
I Hi	Le courant mesuré est trop élevé.	La charge est trop élevée ou la sélection du TC est incorrecte.
PFC	Le contrôleur ne peut atteindre le cosinus(φ) cible. Compensation excessive ou insuffisante.	Vérifiez que le dimensionnement de l'équipement de compensation est suffisant pour la valeur de puissance réactive exigée par la charge.
HAr	La limite de THDU a été dépassée. Le contrôleur va déconnecter les gradins afin de corriger le THDU.	Vérifiez l'installation : THDU trop élevé ou résonance possible.
Step/Flty (le gradin défectueux clignote)	Au moins un gradin est défectueux. (Les gradins sont détectés comme défectueux au bout de trois connexions sans mesure.)	Vérifiez la connexion des gradins, la position des disjoncteurs à boîtier moulé (MCCB) ou des fusibles et l'état des condensateurs.
SPL/Nr	Détection d'un gradin avec moins de 75 % de puissance restante par rapport à la valeur initiale.	Vérifiez les paramètres et vérifiez la capacitance du condensateur.
Thi	La limite de température d'alarme a été dépassée.	Vérifiez les ventilateurs et la température ambiante.
OPH	La limite maximale d'heures de fonctionnement a été dépassée.	Vérifiez les fusibles ou disjoncteurs MCCB et les condensateurs dans le gradin. Vérifiez la valeur de capacitance et remplacez les condensateurs si la valeur est en deçà du seuil de tolérance.
OPC/Nr	La limite maximale de cycles de fonctionnement a été dépassée.	Vérifiez les fusibles ou disjoncteurs MCCB et les condensateurs dans le groupe PFC. Vérifiez la valeur de capacitance et remplacez les condensateurs si la valeur est en deçà du seuil de tolérance.
OL	Limite du ratio de surcharge en courant dans les condensateurs (d'après le calcul du THDU) a été dépassé.	Vérifiez l'installation : THDU trop élevé ou résonance possible
HU	Au moins un gradin a été détecté en battement. Le numéro de gradin clignote avec un code d'erreur	
Anomalie	Cause	Solution
Sans indication (AUTO)	Les relais ne commutent pas.	Dans le menu SETUP/100, la sélection pour le PFC est réglée sur OFF ou sur HOLD ; le rapport de TC n'est pas défini ; la température est trop élevée ; le courant est < 15 mA ; la tension, le THDU ou le rapport de surintensité est hors tolérance.
EXPORT	Exportation kW	S'il n'y a pas réellement d'exportation de puissance active (KW), vérifiez le raccordement de la tension et du courant au contrôleur.
Indication erronée du cosinus(φ)	Le câblage ne correspond pas aux réglages du contrôleur.	Vérifiez le raccordement de la tension et du courant au contrôleur.
Commutation fréquente des gradins	La puissance des gradins n'a pas été totalement détectée ou les condensateurs ne sont pas utilisables.	Vérifiez la puissance des gradins dans le menu INFO.
Tous les gradins sont réglés sur "Fix off".	TC mal positionné ou mal connecté ; court-circuit non éliminé.	Vérifiez la connexion et la position du TC.

Maintenance préventive et corrective

Maintenance préventive

Afin d'assurer le bon fonctionnement de votre équipement de solution d'efficacité énergétique basse tension, des opérations de maintenance préventives annuelles sont nécessaires.

Merci de vous référer à votre guide de maintenance fourni dans votre batterie.

Consulter votre agent Schneider Electric pour effectuer ces opérations de maintenance préventives.

Maintenance corrective

Consulter votre agent Schneider Electric.



Consignas de seguridad	84
<hr/>	
General	86
Introducción	86
Lista de documentos y accesorios suministrados	87
Características técnicas	88
Dimensiones y pesos de los equipos	91
Principio de los componentes	93
Características de los locales de instalación	94
Características de la instalación aguas arriba del equipo	97
Características de los cables cliente y de las capacidades de conexión	98
<hr/>	
Instalación	102
Recepción y manipulación del equipo	102
Desembalaje del equipo	103
Almacenamiento del equipo	104
Modos de conexión	107
Conexiones eléctricas	110
Puesta en tensión	117
Configuración del regulador	119
<hr/>	
Operación	121
Gestión del regulador	121
<hr/>	
Mantenimiento	122
Mantenimiento preventivo y curativo	12

Informaciones importantes

Lea atentamente estas instrucciones e examine el aparato para acostumbrarle con su funcionamiento antes de la instalación o del mantenimiento. Los mensajes especiales siguientes pueden aparecer en estas instrucciones o en el equipo para advertir al usuario de peligros potenciales o para llamar la atención sobre informaciones que aclaran o simplifican un procedimiento.



Si uno de estos dos símbolos aparece en una etiqueta de seguridad de "Peligro" o de "Advertencia", es para indicar un peligro eléctrico que puede provocar lesiones corporales si no se siguen las instrucciones.



Este es el símbolo de alerta de seguridad. Se utiliza para alertarle de potenciales peligros de lesiones corporales. Cumpla con todos los mensajes de seguridad que representan este símbolo para evitarle una lesión o la muerte.

PELIGRO

PELIGRO indica una situación de peligro inminente que, si no se evita, **provocará** la muerte o lesiones graves.

ADVERTENCIA

ADVERTENCIA indica una situación de peligro potencial que, si no se evita, **puede provocar** la muerte, lesiones graves.

ATENCIÓN

ATENCIÓN indica una situación de peligro potencial que, si no se evita, **puede provocar** lesiones menores, moderadas o daños en el equipo.

AVISO

AVISO se utiliza para prácticas que no ocasionan lesiones. El símbolo de alerta de seguridad no se utiliza con la palabra de señal.

NOTA : Provee informaciones complementarias para aclarar o simplificar un procedimiento.

Importante

Sólo un personal cualificado debe realizar la instalación, la explotación y el mantenimiento del equipo eléctrico. Schneider Electric no asume ninguna responsabilidad de posibles consecuencias derivadas del uso de esta documentación.

Una persona cualificada es una persona que tiene las competencias y la habilidad en relación con la construcción, la instalación y la explotación de equipos eléctricos. Ha recibido una formación en cuanto a la seguridad, permitiéndole reconocer y evitar los riesgos incurridos.

Antes de empezar

- Este manual no puede ser utilizado para definir o determinar la adecuación o la fiabilidad de estos equipos para aplicaciones específicas del usuario. Incumbe a cada usuario o integrador realizar un análisis de riesgos completo y apropiado, la evaluación y los ensayos correspondientes a los equipos utilizados para esta aplicación de la misma.
- Cuando el equipo se utilice en aplicaciones con requisitos técnicos de seguridad, hay que seguir las instrucciones apropiadas

PELIGRO

PELIGRO DE DESCARGA ELECTRICA FLASH, EXPLOSION O ARCO

- Utilice un equipo de protección personal (EPP) y siga las reglas de seguridad de trabajo eléctrico. Ver la NFPA 70E, CSA Z462 o las normas equivalentes locales.
- Este equipo debe ser instalado y mantenido por personal cualificado.
- Corte todas las fuentes de alimentación del equipo antes de realizar cualquier trabajo en el equipo.
- Utilice siempre un voltímetro con el calibre adecuado para confirmar que el equipo está sin energía.
- Antes de tocar cualquier parte activa, esperar por lo menos 5 minutos para que el equipo se auto descargue y luego poner en cortocircuito los bornes de cada condensador y conectarlos a tierra.
- Instalar de nuevo todos los componentes, puertas y paneles antes de alimentar el equipo.

El incumplimiento de estas instrucciones provocará la muerte o lesiones graves.

- Los equipos están ensamblados en fábricas y no necesitan ninguna intervención durante la instalación excepto para los indicados más abajo.

ATENCIÓN

RIESGO DE DEGRADACIÓN DE RESULTADOS DEL EQUIPO

No se deben modificar las partes mecánicas o eléctricas.

Si no se siguen estas instrucciones, puede provocar lesiones menores, moderadas o daños en el equipo.

ATENCIÓN

RIESGO DE QUEMADURAS

En funcionamiento y durante varios minutos después de una parada, determinadas piezas del equipo pueden alcanzar temperaturas elevadas.

Antes de cualquier intervención, asegúrese de que las piezas metálicas hayan alcanzado una temperatura aceptable al tacto.

Si no se siguen estas instrucciones, puede provocar lesiones menores, moderadas o daños en el equipo.

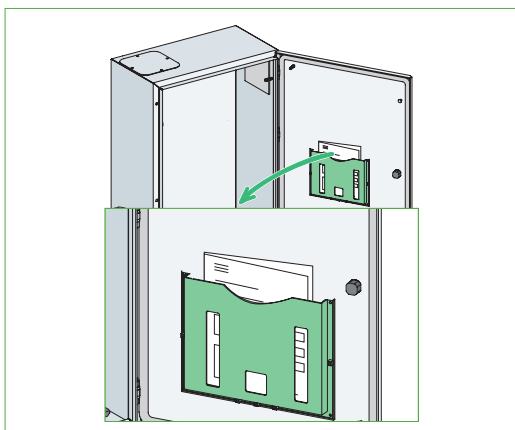
Acaba de recibir su batería de condensadores (solución de eficiencia energética) baja tensión diseñada y fabricada por Schneider Electric. Para acompañarle durante la implementación, hemos realizado este manual con gran cuidado. Contiene todas las informaciones necesarias para la preparación para instalar e utilizar su equipo. Le aconsejamos leer atentamente y respetar estas instrucciones.

- Ninguna parte de este documento puede ser reproducida de cualquiera forma o cualquier medio que sea, electrónico, mecánico o con fotocopia, sin la autorización escrita expresa de Schneider Electric.
- Todas las reglamentaciones locales, regionales y nacionales pertinentes deben ser respetadas durante la instalación y la utilización de este producto.
- Por seguridad y con el fin de garantizar la conformidad y características del equipo, sólo el fabricante está habilitado a realizar las reparaciones sobre los diferentes componentes que conforman el equipo.
- Si tiene propuestas para mejorar esta publicación, no dude en informarnos utilizando los datos de contacto indicados al final de este documento.



Lista de documentos y accesorios suministrados

DB413951.eps



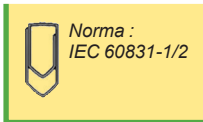
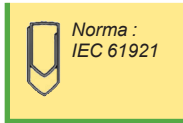
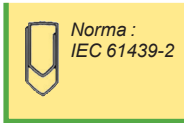
Documentos

Guía de recepción: desembalaje, manipulación, almacenamiento (disponible en el embalaje).

Encontrará en el maletín colocado en la cara interna de la puerta del equipo, los documentos siguientes:

- el guía de instalación, de puesta en servicio
- el guía de mantenimiento
- el esquema del circuito de potencia
- el esquema del circuito auxiliar
- el plano de conexión de los regleteros
- la ficha de características técnicas
- la guía de usuario simplificada (la guía completa del VarPlus Logic, se puede descargar en la página web www.schneider-electric.com).
- el manual del interruptor automático de protección principal (según modelo).

Una vez la instalación acabada, le aconsejamos dejar este manual a disposición en el maletín.



Características generales

- Tensión, frecuencia, potencia, según las indicaciones de la placa de características.
- Tensión de aislamiento: hasta 800 V (según modelo)
- resistencia 50 Hz 1 min: 2,5 kV.
- Corriente nominal de corta duración admisible: 50/65 kA (según modelo).
- Comunicación: Modbus RS485 2 cables.
- Alimentación auxiliar: 220/230 V 50/60 Hz.
- Índice de protección: IP31/IP54 (según modelo).
- Función presencia grupo electrógeno (bornes XA1 - XA2).
- Color:
 - chapa: RAL 7035.
 - base: RAL 7022.
- Conforme a las normas IEC 61439-2 y IEC 61921.
- IK10.
- Contacto para anuncio de alarma de batería de condensadores (bornes XA3 - XA4).

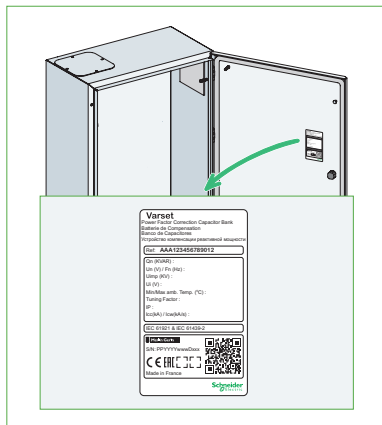
Características de los condensadores

- Tensión de diseño : 480V
- Tolerancia sobre las capacidades: -5 hasta +10 %.
- Sobrecargas admisibles en tensión (8 h sobre 24 h siguiendo IEC 831-1/2): 10 %.
- Sobre intensidad máxima : 1,8 In

Límites de funcionamiento

- Uso interior exclusivamente.
- Alimentación: 400 V/50 Hz - 400 V/60 Hz - 415 V/50 Hz.

Placa de características



Localización de la placa de características.

Varsset
Power Factor Correction Capacitor Bank
Batterie de Compensation
Banco de Capacitores
Устройство компенсации реактивной мощности

Ref: **AAA123456789012**

Qn (KVAR) :
Un (V) / Fn (Hz) :
Uimp (KV) :
Ui (V) :
Min/Max amb. Temp. (°C) :
Tuning Factor :
IP :
Icc(kA) / Icw(kA/s) :

IEC 61921 & IEC 61439-2

Merlin Gerin
S/N: PPyYYywwDxxx

CE ENEC
Made in France

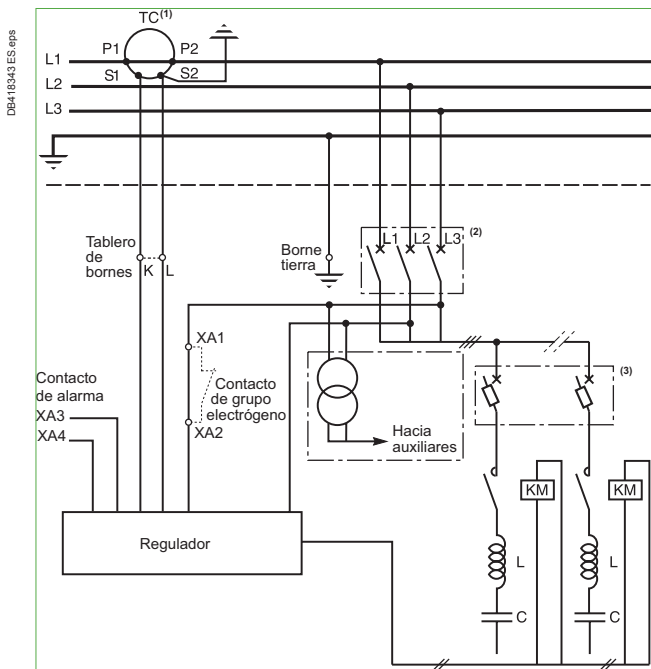
Schneider
Electric

Constitución de los equipos

Tipo	Interruptor automático	Inductancias antiarmónicas	Esquemas eléctricos
VLVAF2P, VLVAF3P, VLVAF5P, VLVAF6P, VLVAF8P, VLVFF2P	con / sin	con	

Esquemas eléctricos

VLVAF2P, VLVAF3P, VLVAF5P, VLVAF6P, VLVFF2P



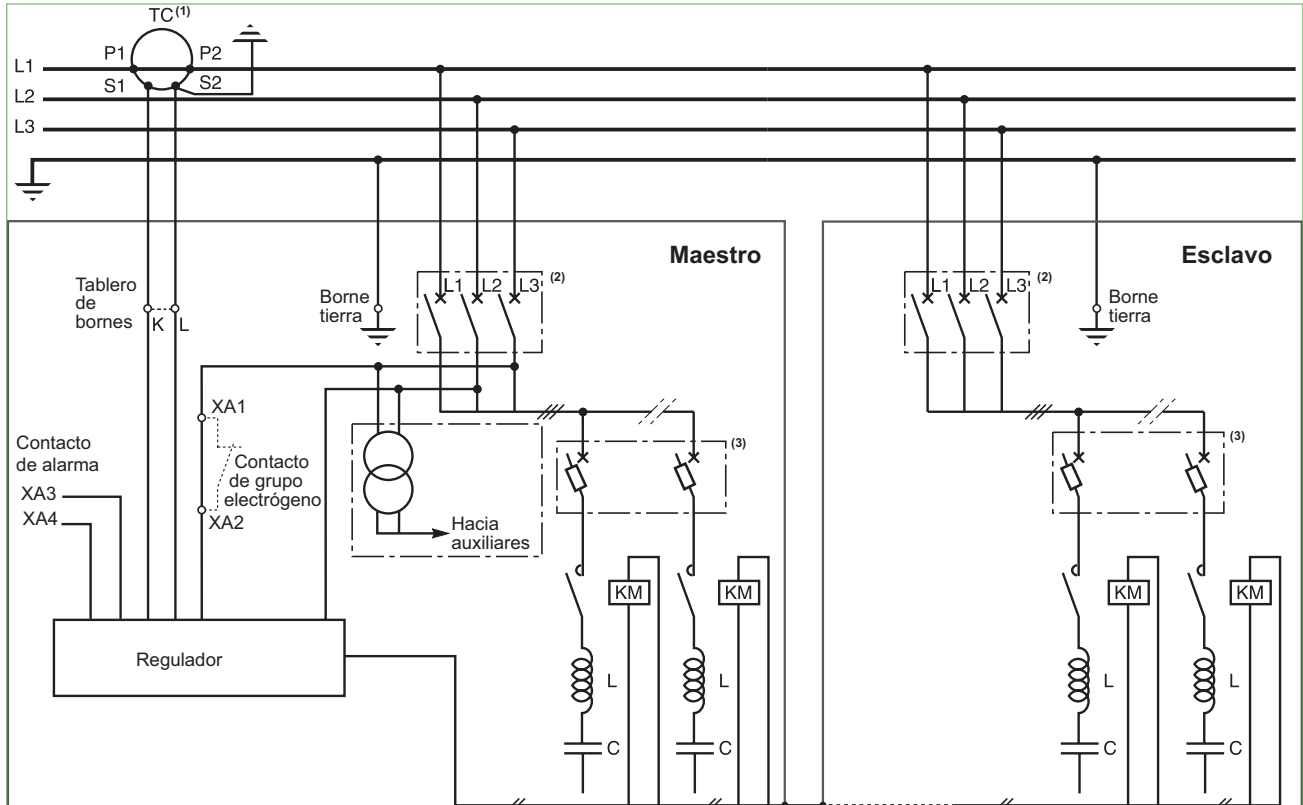
- (1) No suministrado por Schneider Electric.
- (2) Para variante con interruptor automático de entrada.
- (3) los fusibles se pueden remplazar por interruptor automático en opción.



Esquemas eléctricos

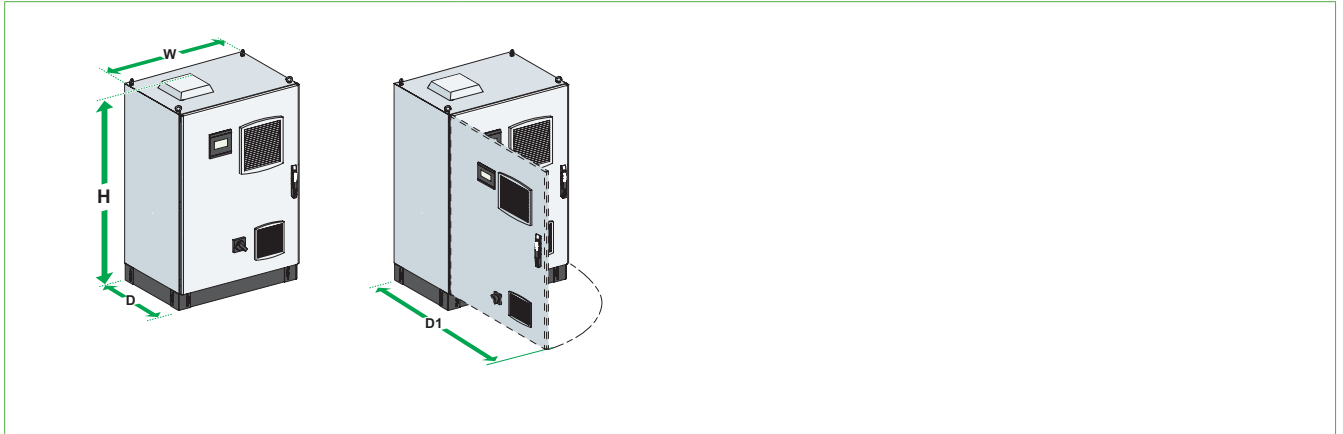
VLVAF8P

DB418905 ES eps

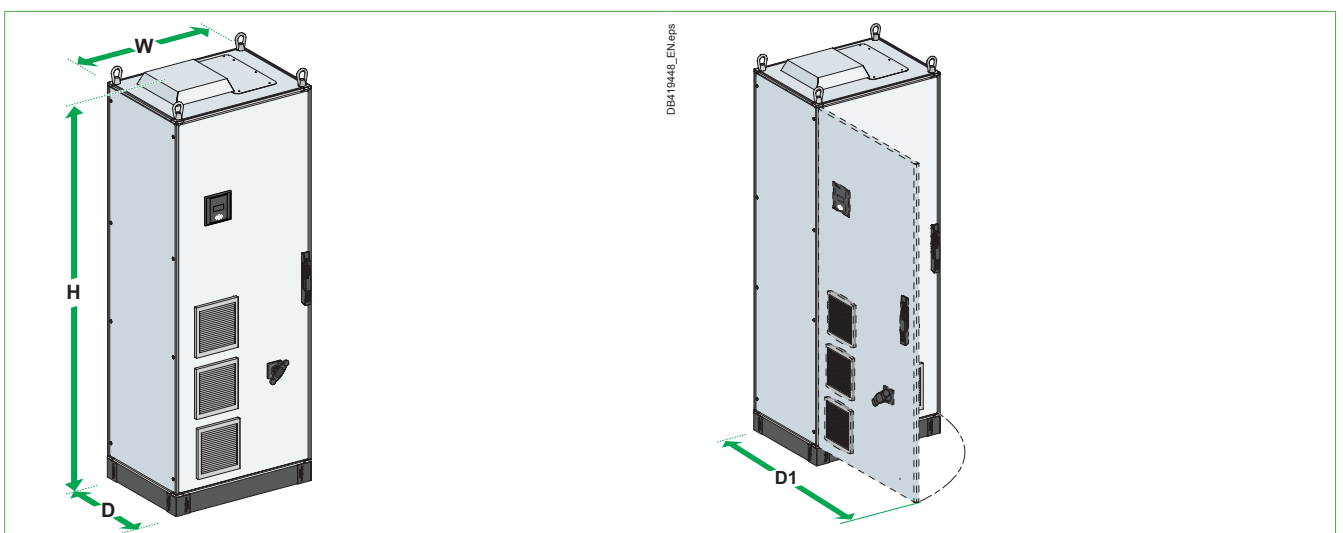


- (1) No suministrado por Schneider Electric.
- (2) Para variante con interruptor automático de entrada.
- (3) los fusibles se pueden reemplazar por interruptor automático en opción.

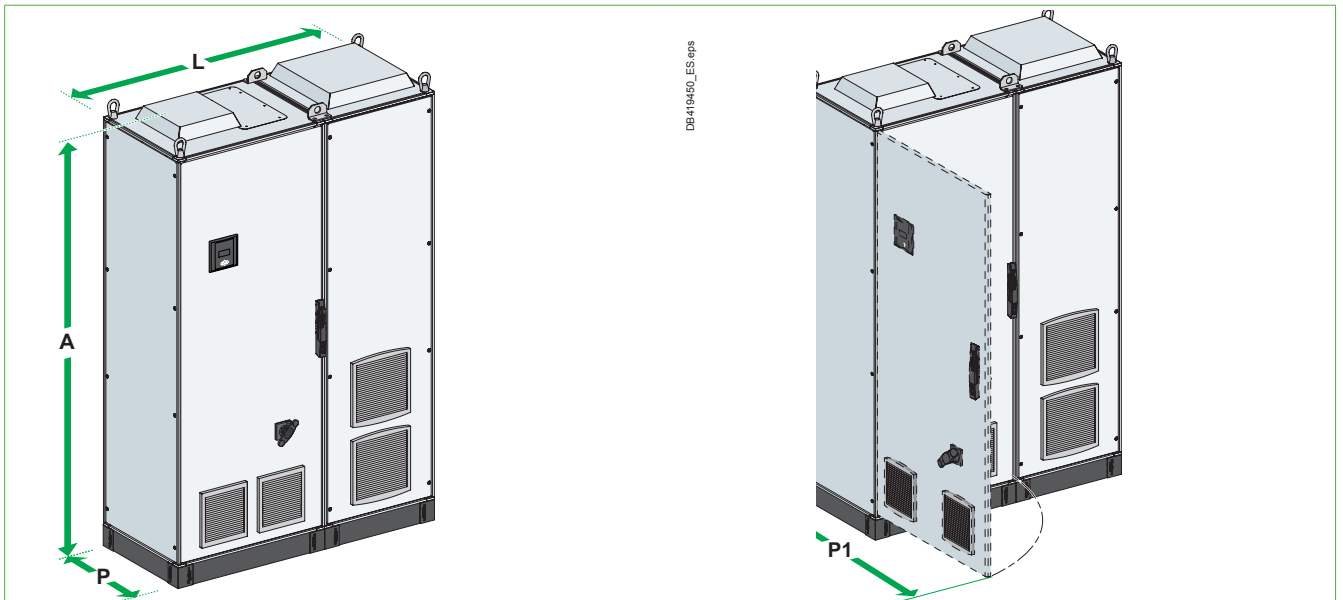
Cofrets VLVAF2P y VLVFF2P



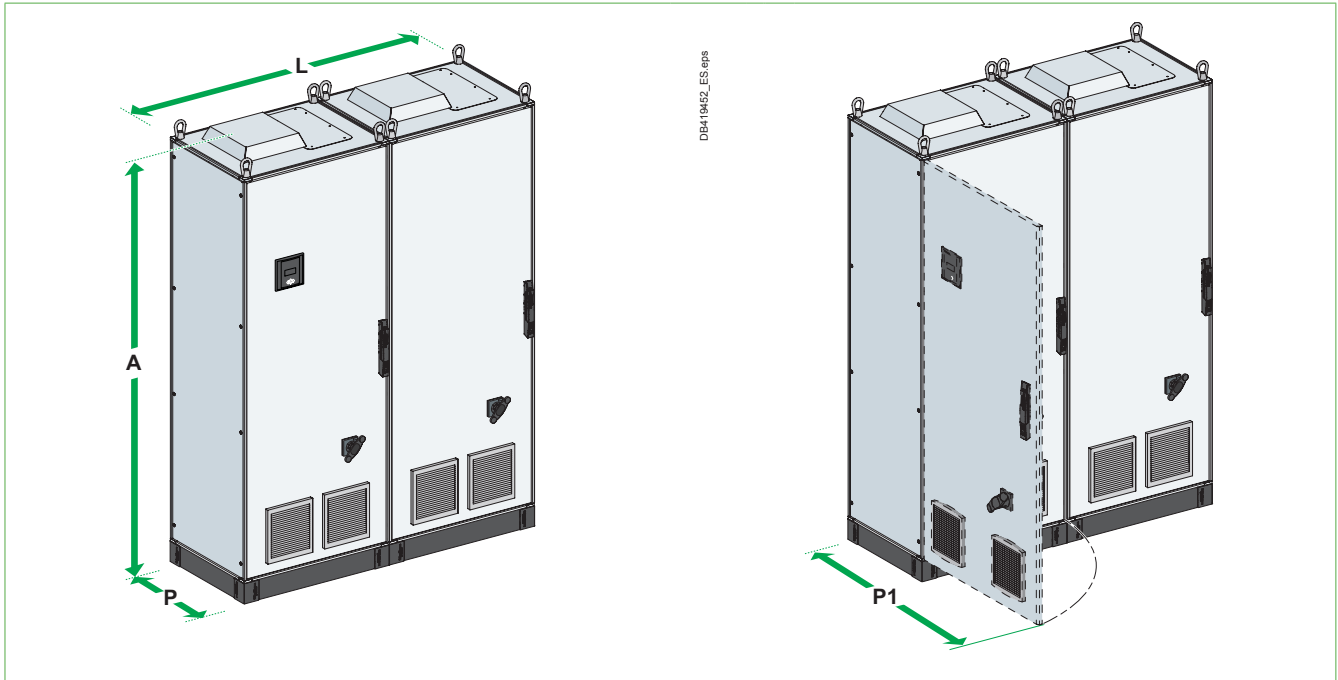
Cofrets VLVAF3P y VLVAF5P



Armario VLVAF6P



Armario VLVAF8P

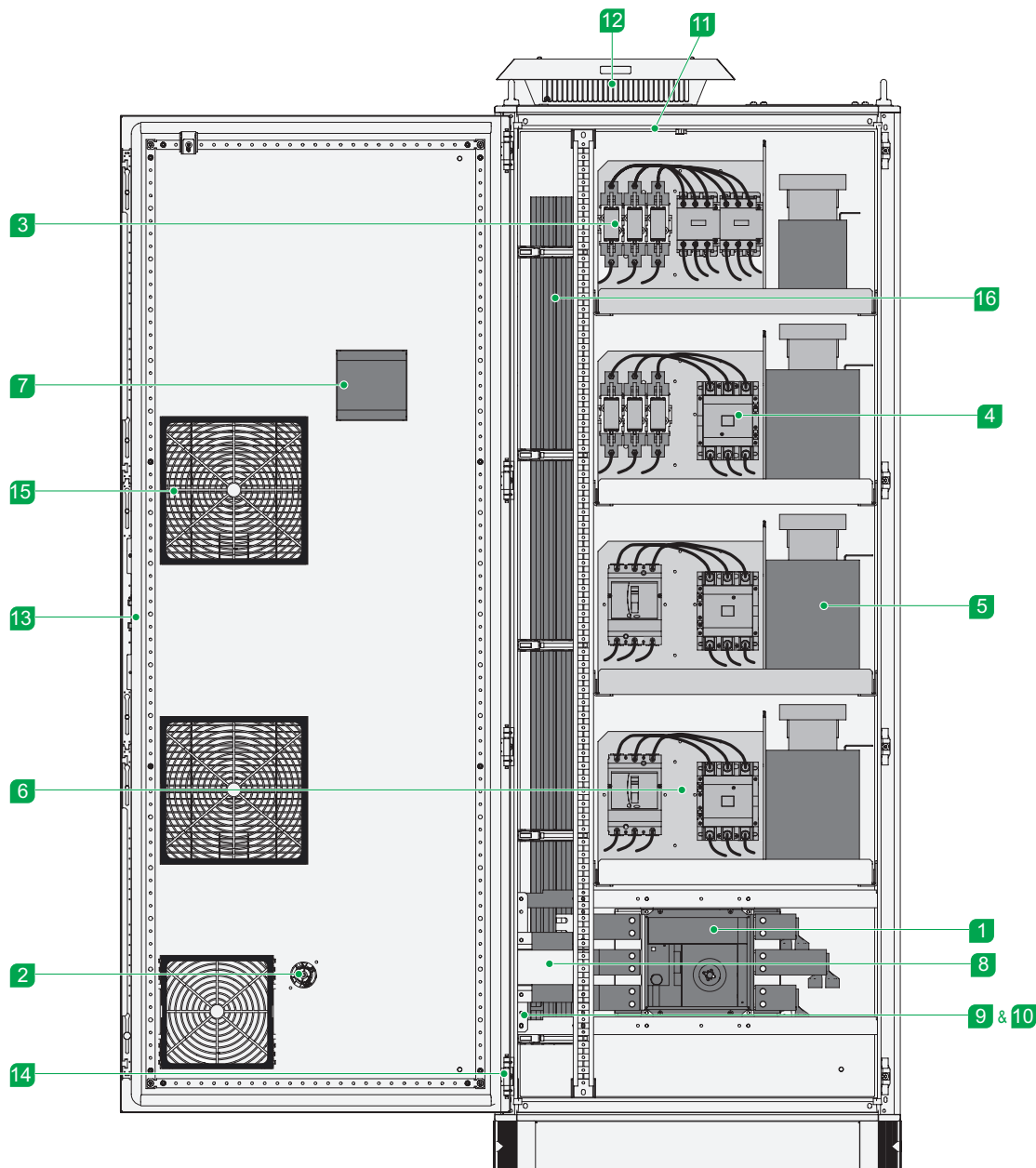


Dimensiones (mm) y peso máximo (kg)

Tipo	Cofrets					
	VLVFF2P	VLVAF2P	VLVAF3P	VLVAF5P	VLVAF6P	VLVAF8P
H	1400	1400	2000	2200	2200	2200
W	800	800	800	800	1400	2800
D	600	600	600	600	600	600
D1	1361	1361	1361	1361	1361	1361
Weight	320	350	400	450	952	1904

Arquitectura típica

DB41 0499_ES_eps



- | | | | |
|---|--|----|---|
| 1 | Interruptor automático de entrada principal | 9 | Interruptores automáticos de protección circuito auxiliar |
| 2 | Mando rotativo | 10 | Tablero de bornes de conexión del circuito auxiliar |
| 3 | Interruptores automáticos de protección de escalón | 11 | Termostatos |
| 4 | Contactores | 12 | Ventiladores |
| 5 | Inductancia antiarmónica | 13 | Cerraduras |
| 6 | Condensadores | 14 | Conexión a tierra |
| 7 | Regulador Varlogic | 15 | Rejillas de ventilación |
| 8 | Transformador circuito auxiliar | 16 | Linergy |



Características de los locales de instalación

Características generales

- Temperaturas :
 - temperatura máxima : 45 °C
 - temperatura media durante 24 h : 35 °C
 - temperatura mínima : -5 °C.
- Ventilación : colocar el equipo en un local ventilado.
- Contaminación :
 - grado de contaminación 2 (IEC 61010-1).
- Humedad ≤ 95 %.
- Altitud ≤ 2000 m.

⚠ ⚠ PELIGRO

RIESGO DE CHOQUE ELÉCTRICO, DE EXPLOSIÓN O DE ARCO ELÉCTRICO

- No instalar el equipo en un entorno sucio o polvoriento, independientemente del tipo o naturaleza de la suciedad o polvo.
- No instalar el equipo en zonas donde puedan producirse riesgos de escape de fluidos (paso de canalizaciones cerca del equipo...).
- No instalar el equipo en una zona clasificada ATEX (atmósfera explosiva).

Si no se siguen estas instrucciones, provocará la muerte o lesiones graves.

⚠ ADVERTENCIA

RIESGO DE CALENTAMIENTO DENTRO DEL EQUIPO

No instalar el equipo en una superficie/pared o suelo con riesgo de calentarse (infracables, resistencias calefactoras, tubos de calefacción para fluidos termoportadores).

Si no se siguen estas instrucciones, puede provocar la muerte, lesiones graves o daños en el equipo.

Límites de funcionamiento

- Uso interior exclusivamente.
- Alimentación :
 - fluctuaciones de la tensión de la red de alimentación : -10 % hasta +10 % de la tensión nominal
 - sobretensiones transitorias para la red de alimentación : categoría de instalación III (IEC 61010-1)
 - distorsión y armónica :
 - 4 % < THDu ≤ 7 %
 - o
 - 25 % < Gh/Sn ≤ 50 %.

Limpieza

- El emplazamiento dedicado a la instalación del equipo debe estar limpio.
- Dado que el equipo es muy sensible al polvo, la aplicación en el suelo de una pintura antipolvo es recomendable para limitar el riesgo de sedimento de polvo dentro del equipo.

Otras condiciones de uso

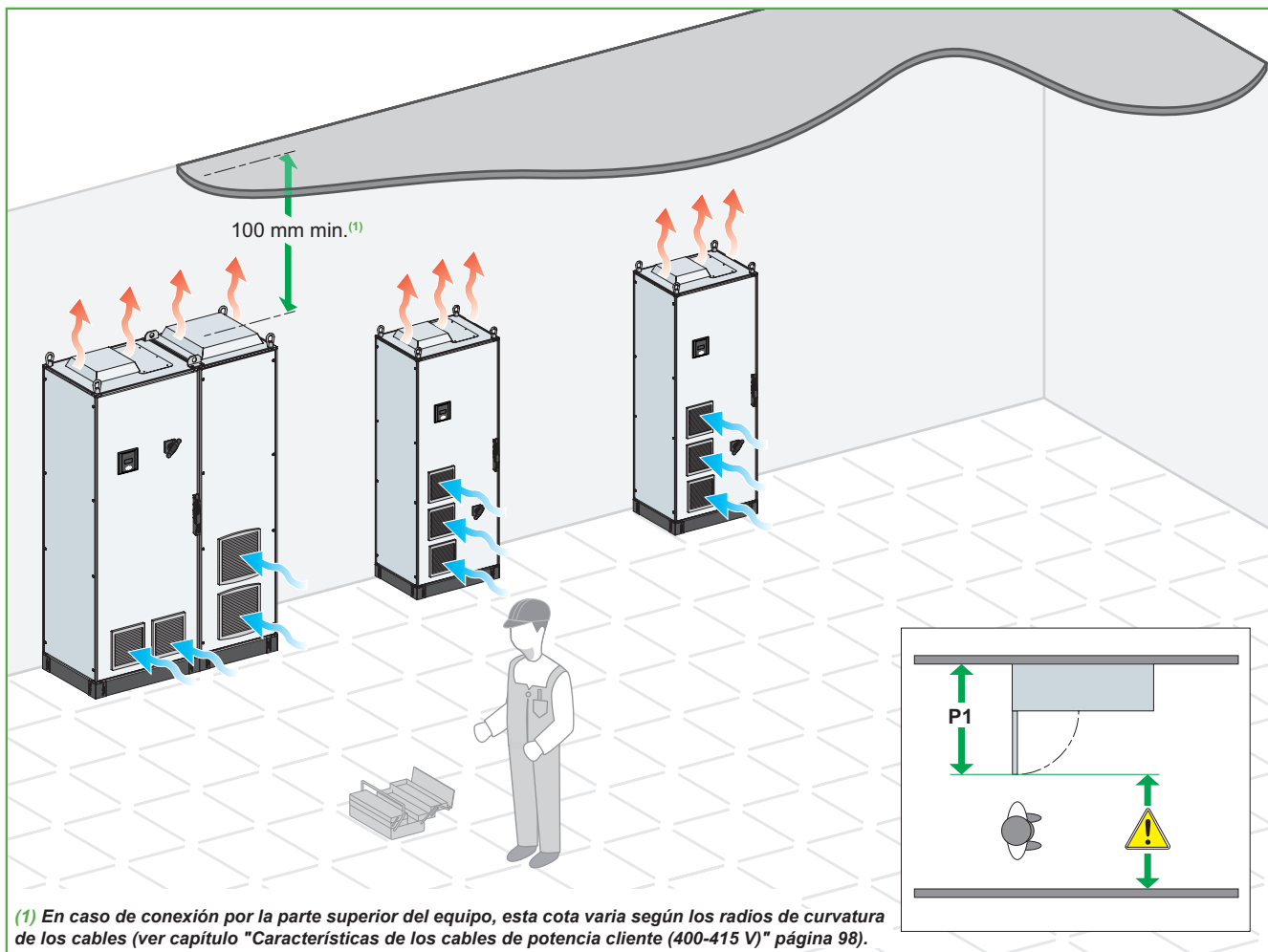
Para toda instalación fuera de estas características, consultar Schneider Electric.

Características de los locales de instalación

Reserva de espacio alrededor del equipo

Prever :

- un espacio necesario para una ventilación correcta de los equipos
- un espacio suficiente para permitir la entrada de los cables de potencia y auxiliares
- un espacio suficiente alrededor del equipo para las futuras extensiones
- un espacio suficiente para permitir el mantenimiento
- un espacio suficiente para permitir la abertura de las puertas
- un espacio libre cerca de las entradas y salidas de aire.



⚠ ADVERTENCIA

RIESGO DE CALENTAMIENTO DENTRO DEL EQUIPO

- Respetar las distancias de espacio mínimas especificadas alrededor de las entradas y salidas de ventilación.
- Espaciar de 200 mm mínimo 2 salidas de ventilación situadas frente a frente.
- No colocar ninguna fuente de calor enfrente de una entrada de ventilación.

Si no se siguen estas instrucciones, puede provocar la muerte, lesiones graves o daños en el equipo.

⚠ ADVERTENCIA

RIESGO DE OBSTRUCCIÓN DE LAS VÍAS DE EVACUACIÓN

Respetar las distancias de seguridad para permitir el paso en caso de evacuación de los locales, conforme a la reglamentación aplicable.

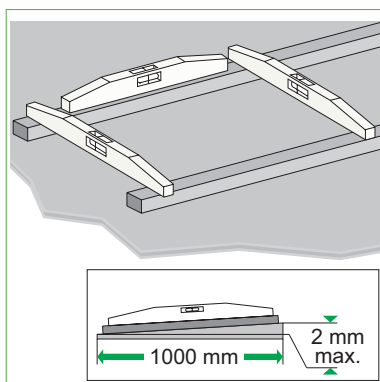
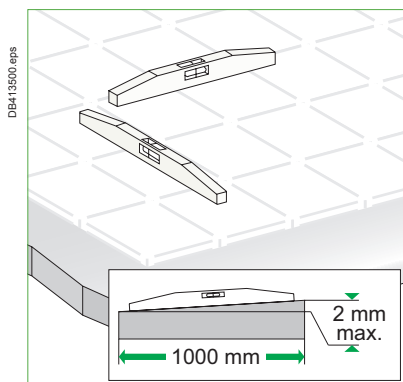
Si no se siguen estas instrucciones, puede provocar la muerte, lesiones graves o daños en el equipo.

Características de los suelos y de las paredes

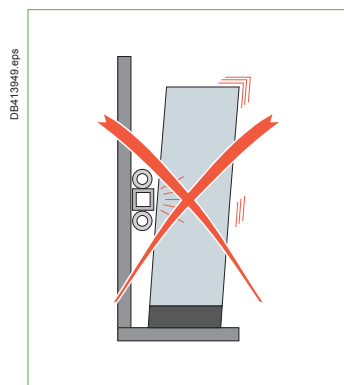
El suelo deben tener una planicidad correcta. La tolerancia aceptada es de ± 2 mm/m. En el caso contrario, utilizar soportes perfilados U,T, I verificando la rectitud y el nivel conseguidos en los 2 ejes.

Preparación de los suelos

Planicidad y horizontalidad de los suelos

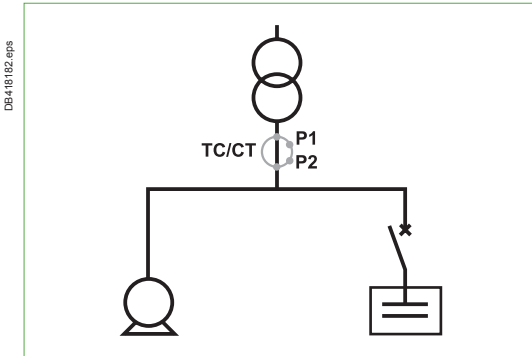


Planicidad de las paredes



Ningún elemento debe empujar contra la parte de atrás del equipo.

Características de la instalación aguas arriba del equipo



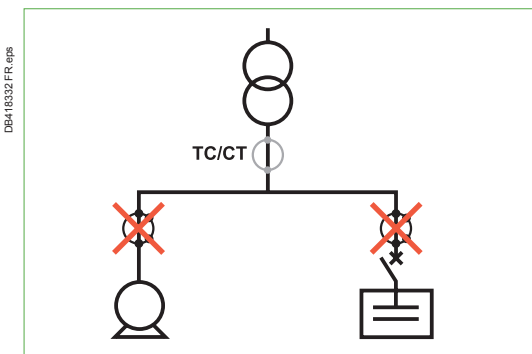
Protección aguas arriba del equipo

Protección aguas arriba del equipo

Deba proteger su equipo aguas arriba con un dispositivo de protección adecuado.

Este dispositivo le permitirá :

- consignar su equipo
- proteger su instalación desde el cuadro principal hasta su equipo
- unir la alarma de temperatura excesiva a este dispositivo de protección arriba en caso de una versión de compensación fija sin interruptor automático de protección principal incluido.



Emplazamiento del IT en el circuito de potencia.

Corriente medida para la compensación automática

Características del transformador de corriente

- Asegurarse que tiene un secundario de 1A o 5A (preferible un 5A).
- Asegurarse que la potencia sea superior a 10 VA.
- Asegurarse que la clase del IT sea de c1.

Emplazamiento del transformador de corriente

- Instalar el IT imperativamente aguas arriba del equipo y de los receptores (motores...); ver esquema contiguo.

No realizar derivación

El transformador de corriente debe ser dedicado (uso exclusivo) al equipo.

- Riesgo de envío de informaciones incorrectas al nivel del regulador.
- Riesgo de pérdida de beneficio del uso del equipo.

Toma de tierra secundaria del transformador de intensidad

El transformador de intensidad debe conectarse a una toma de tierra. Consultar las instrucciones del fabricante para garantizar una correcta instalación.



Características de los cables cliente y de las capacidades de conexión

Características de los cables de potencia cliente (400-415 V)

Tipo de cables recomendados : 1000 V, 105 °C.

Los cables deben estar dimensionados para una corriente de 1,5 In mínimo.

Las secciones provistas en los cuadros se indican a título informativo.

No tienen en cuenta :

- las longitudes a implementar
- el modo de instalación : conducto o paso de cables
- la temperatura ambiente alrededor del conductor.

▲ ADVERTENCIA

RIESGO DE PERDIDA DE AISLAMIENTO Y DE CORTOCIRCUITO
Dimensionar los cables de potencia según las normas IEC 60439-1 y IEC 61921.

Si no se siguen estas instrucciones, puede provocar la muerte, lesiones graves o daños en el equipo.

Secciones recomendadas para los cables de potencia cliente

Frecuencia Hz	Frecuencia de sintonía	Potencia Q (kvar)	Corriente de dimensionado de los cables In A	Sección mín. de conexión de cobre		Capacidad de conexión máxima				
				n° de cables	mm ²	n° de cables	mm ²	n° de cables	mm ²	
Cofrets										
50	4.2	50	108	1	35	1	120 (*)	2	120	
		75	162	1	70					
		87.5	189	1	95					
		100	216	1	95					
		125	270	1	120					
		137.5	298.5	1	185	2	240	2	240	
		150	325.5	1	185					
		175	379.5	1	240					
		200	433.5	2	150					
		225	487.5	2	150					
		250	541.5	2	185					
		275	595.5	2	185					
		300	649.5	2	240					
		350	757.5	2	240	3	185	3	185	
		400	865.5	3	185					
		450	975	3	185					
		500	1083	3	185	3	240	3	240	
		550	1191	3	240					
		600	1299	3	240					
		700								
						500kvar + 200kvar				
						500kvar + 300kvar				
						500kvar + 400kvar				
						500kvar + 500kvar				
						500kvar + 600kvar				
						500kvar + 600kvar				

Características de los cables cliente y de las capacidades de conexión

Secciones recomendadas para los cables de potencia cliente

Frecuencia Hz	Frecuencia de sintonía	Potencia Q (kvar)	Corriente de dimensionado de los cables In A	Sección mín. de conexión de cobre		Capacidad de conexión máxima			
				n° de cables	mm ²	n° de cables	mm ²	n° de cables	mm ²
Cofrets									
50	3.8	50	108	1	35	1	120 (*)	2	120
		75	162	1	70				
		87.5	189	1	95				
		100	216	1	95				
		125	270	1	150				
		137.5	298.5	1	185	2	240	2	240
		150	325.5	1	185				
		175	379.5	1	240				
		200	433.5	2	150				
		225	487.5	2	150				
		250	541.5	2	185	3	185	3	185
		275	595.5	2	185				
		300	649.5	2	240				
		350	757.5	2	240				
		400	865.5	3	185				
		450	975	3	185	3	240	3	240
		500	1083	3	185				
		550	1191	3	240				
		600	1299	3	240				
		700	500kvar + 200kvar						
		800	500kvar + 300kvar						
900	500kvar + 400kvar								
1000	500kvar + 500kvar								
1100	500kvar + 600kvar								
1150	500kvar + 600kvar								
50	2.7	50	108	1	35	1	120 (*)	2	120
		75	162	1	70				
		87.5	189	1	95				
		100	216	1	95				
		125	270	1	150				
		137.5	298.5	1	185	2	240	2	240
		150	325.5	1	185				
		175	379.5	1	240				
		200	433.5	2	150				
		225	487.5	2	150				
		250	541.5	2	185	3	185	3	185
		275	595.5	2	185				
		300	649.5	2	240				
		350	757.5	2	240				
		400	865.5	3	185				
		450	975	3	185	3	240	3	240
		500	1083	3	185				
		550	1191	3	240				
		600	1299	3	240				

(1) According to the connection accessories used.



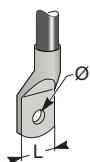
Características de los cables cliente y de las capacidades de conexión

Secciones recomendadas para los cables de potencia cliente

Frecuencia Hz	Frecuencia de sintonía	Potencia Q (kvar)	Corriente de dimensionado de los cables I _n A	Sección mín. de conexión de cobre		Capacidad de conexión máxima			
				n° de cables	mm ²	n° de cables	mm ²	n° de cables	mm ²
Cofrets									
60	4.2	100	216	1	95	1	120 (*)	2	120
		150	325.5	1	185	2	240	2	240
		200	433.5	2	150				
		300	649.5	2	240	3	185	3	185
		400	865.5	3	185	2	240	2	240
		500	1083	3	185	3	240	3	240
	600	1299	3	240					
	3.8	100	216	1	95	1	120 (*)	2	120
		150	325.5	1	185	2	240	2	240
		200	433.5	2	150				
		300	649.5	2	240	3	185	3	185
		400	865.5	3	185	2	240	2	240
		500	1083	3	185	3	240	3	240
	600	1299	3	240					
	2.7	100	216	1	95	1	120 (*)	2	120
		150	325.5	1	185	2	240	2	240
		200	433.5	2	150				
		300	649.5	2	240	3	185	3	185
		400	865.5	3	185	2	240	2	240
		500	1083	3	185	3	240	3	240
	600	1299	3	240					

(*) Dimensión máxima con conector :

Conector	L(mm)	≤25
	∅(mm)	8.5



Características de los cables cliente y de las capacidades de conexión

Características del conductor de puesta a tierra

▲ ADVERTENCIA

RIESGO DE PÉRDIDA DE AISLAMIENTO Y DE CORTOCIRCUITO

Dimensionar la sección del conductor de protección de tierra según la norma IEC 60364-5-54.

Si no se siguen estas instrucciones, puede provocar la muerte, lesiones graves o daños en el equipo.

Capacidad de conexión del conductor de conexión a tierra :

- 1 agujero para tornillos M10.

Características de los cables auxiliares

Tipo de cables recomendados 105 °C.

Los valores se indican a título informativo ; es conveniente adaptar la sección según el entorno, la longitud de los cables.

Material	Sección mm ²	Sección máximo mm ²	n° de bornes	n° de conductores por borne (Hilo flexible/rígido)
Transformador de corriente	2,5	4	2	1
Protección de los auxiliares en versión sin transformador de corriente	2,5	2,5	2	1
Grupo electrógeno	1	2,5	2	1
Alarma regulador	1	2,5	2	1
Alarma temperatura	1	2,5	2	1
Mando cos φ2	0,6	1	2	1

Para todas otras secciones a implementar, consultar los servicios de Schneider Electric.

Material a prever para conectar el módulo de comunicación

No incluido en el equipo.

- Cable recomendado: Belden 3106A blindado AWG22 3 filamentos.

Recepción y manipulación del equipo

Las mercancías siempre viajan por la cuenta y riesgo del destinatario. Schneider Electric declina toda responsabilidad en cuanto a pérdidas o si daños han sido observados durante el transporte del equipo, y no podría en ningún caso asegurar los gastos incurridos. En caso de avería o si falta un elemento, enviar las disconformidades observadas en un sobre certificado al transportador, especificando la referencia indicada en el orden de entrega.

Recepción

- Verificar que las informaciones de los paquetes y de la orden de entrega correspondan con las del orden de pedido : referencia del equipo, número de paquetes.
- Asegurarse, durante la entrega del material y antes de toda manipulación, que las cajas y los embalajes que ha suministrado el transporte estén en perfecto estado.
- A pesar del buen estado aparente del embalaje, no dudar en desembalar los productos en la presencia de un agente autorizado de la empresa de transporte. (ver sección "Desembalaje del equipo" abajo).

⚠ ADVERTENCIA

RIESGO DE DISFUNCIÓN DEL EQUIPO

No instalar el equipo en caso de deterioro visible.

Si no se siguen estas instrucciones, puede provocar la muerte, lesiones graves o daños en el equipo.

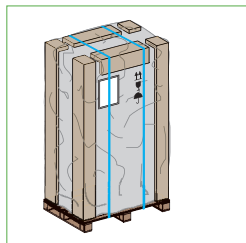
Manipulación

⚠ ADVERTENCIA

RIESGO DE CAÍDA O DE BALANCEO DEL EQUIPO DURANTE LA MANIPULACIÓN

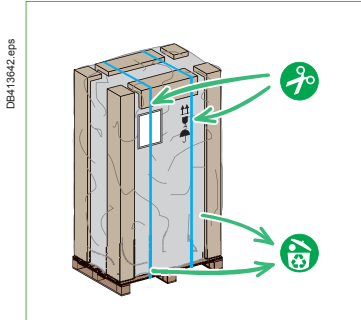
- Respetar rigurosamente el modo y las zonas de levantamiento recomendados (ver cuadro más abajo).
 - Tener en cuenta la posición del centro de gravedad para manipular los equipos.
 - Utilizar medios de manipulación adaptados a las dimensiones y al peso del equipo.
 - Colocar correctamente los medios de manipulación.
 - Desplazar el equipo con mucho cuidado.
 - Verificar que esta posición se mantiene durante el desplazamiento del equipo.
 - Evitar los choques y las deformaciones.
- Si no se siguen estas instrucciones, puede provocar la muerte, lesiones graves o daños en el equipo.**

Todos los equipos se entregan sobre un palet y pueden ser manipulados por la parte inferior. El uso de una carretilla elevadora es recomendable.



Posición centro de gravedad (embalaje estándar).





Desembalaje.

- Es preferible desembalar los equipos en su lugar de instalación.
- Cuidado con no estropear el equipo con la herramienta utilizada para cortar el embalaje.

⚠ ADVERTENCIA

RIESGO DE CAÍDA O DE BALANCEO DEL EQUIPO DURANTE EL DESEMBALAJE.

- Llevar los equipos de protección individual (EPI) adecuados.
- Manipular el equipo con mucho cuidado.
- Tener en cuenta la etiqueta indicando el centro de gravedad.

Si no se siguen estas instrucciones, puede provocar la muerte, lesiones graves o daños en el equipo.

- Cortar las ataduras y sacar las cajas de protección.

Los materiales de embalaje de este aparato son reciclables. Participe en su reciclaje y contribuya entonces a la protección del entorno al ponerlos en los contenedores previstos. Le agradecemos por su colaboración a la protección del medio ambiente.

- Asegurarse que el material no he recibido ningún choque dañino a su aislamiento y a su funcionamiento examinándolo minuciosamente :

- ausencia de piezas rotas
- componentes eléctricos deteriorados o mal colocados
- funcionamiento de la puerta y de su cerradura
- problema de conexiones internas.

⚠ ADVERTENCIA

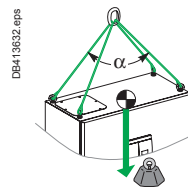
RIESGO DE DISFUNCIÓN DEL EQUIPO

No instalar el equipo en caso de deterioro visible.

Si no se siguen estas instrucciones, puede provocar la muerte, lesiones graves o daños en el equipo.

- Sacar el equipo de su paleta de transporte usando las herramientas adecuadas y siguiendo las recomendaciones debajo.

Type	Cofrets VLVA5N y VLVF7N
Ángulo	Solution 1 ⁽¹⁾ ⁽²⁾



(α)	Peso máximo (kg)
45°	1160
60°	830
90°	480

(1) Tomar las precauciones necesarias durante el levantamiento para evitar el balanceo del conjunto (ver posición del centro de gravedad indicada).
 (2) En caso de eslingado, es recomendado utilizar todas las anillas de elevación del equipo.



Almacenamiento

AVISO

RIESGO DE DETERIORO DEL MATERIAL

- Almacenar en un local seco, aireado, al abrigo de la lluvia, de las inclemencias y del polvo.
- Si el material está almacenado esperando su instalación, respetar una temperatura de almacenamiento incluida entre -20 y 40 °C.
- No almacenar los equipos al exterior, debajo de una cubierta de lona.
- Es recomendado que el equipo se quede embalado hasta su instalación final.

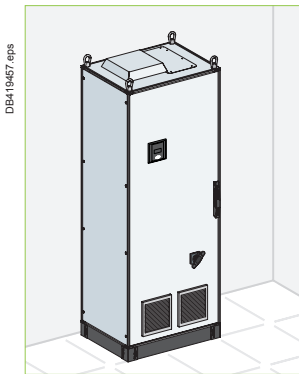
Si no se siguen estas instrucciones, puede provocar daños en el equipo.



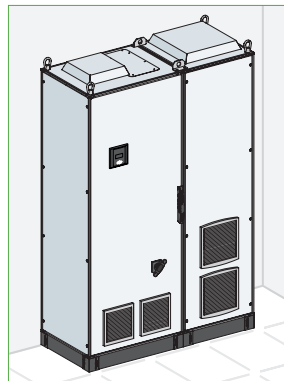
⚠ ADVERTENCIA

RIESGO DE BALANCEO DEL COFRET

- Fijar el equipo utilizando los puntos de fijación indicados más abajo.
 - Utilizar fijaciones adaptadas a la naturaleza del soporte y al peso del equipo (ver Dimensiones y pesos de los equipos en la página 91).
- Si no se siguen estas instrucciones, puede provocar la muerte, lesiones graves o daños en el equipo.**



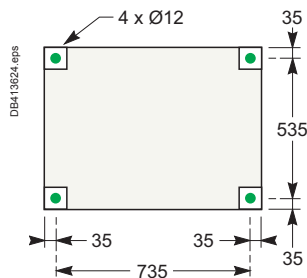
VLVFF2P, VLVAF2Pz, VLVAF3P, VLVAF5P



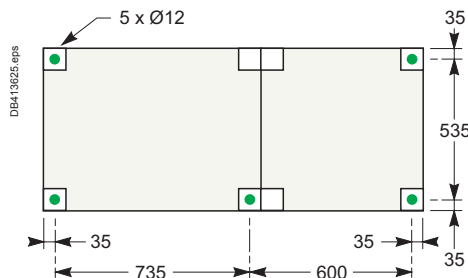
VLVAF6P

Cotas de fijación al suelo (mm)

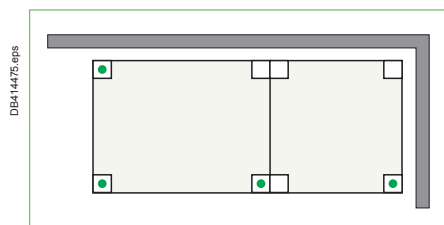
VLVAW2N y VLVFW2N



VLVAF6P

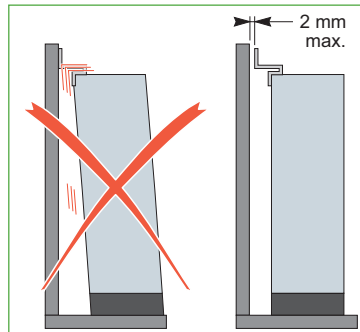


Fixation en angle:



Leyenda :

- Posición del tornillo.



Separación máxima autorizada entre la pared y lo alto de las patas de fijación antes de fijar.

Instalación al suelo y en la pared

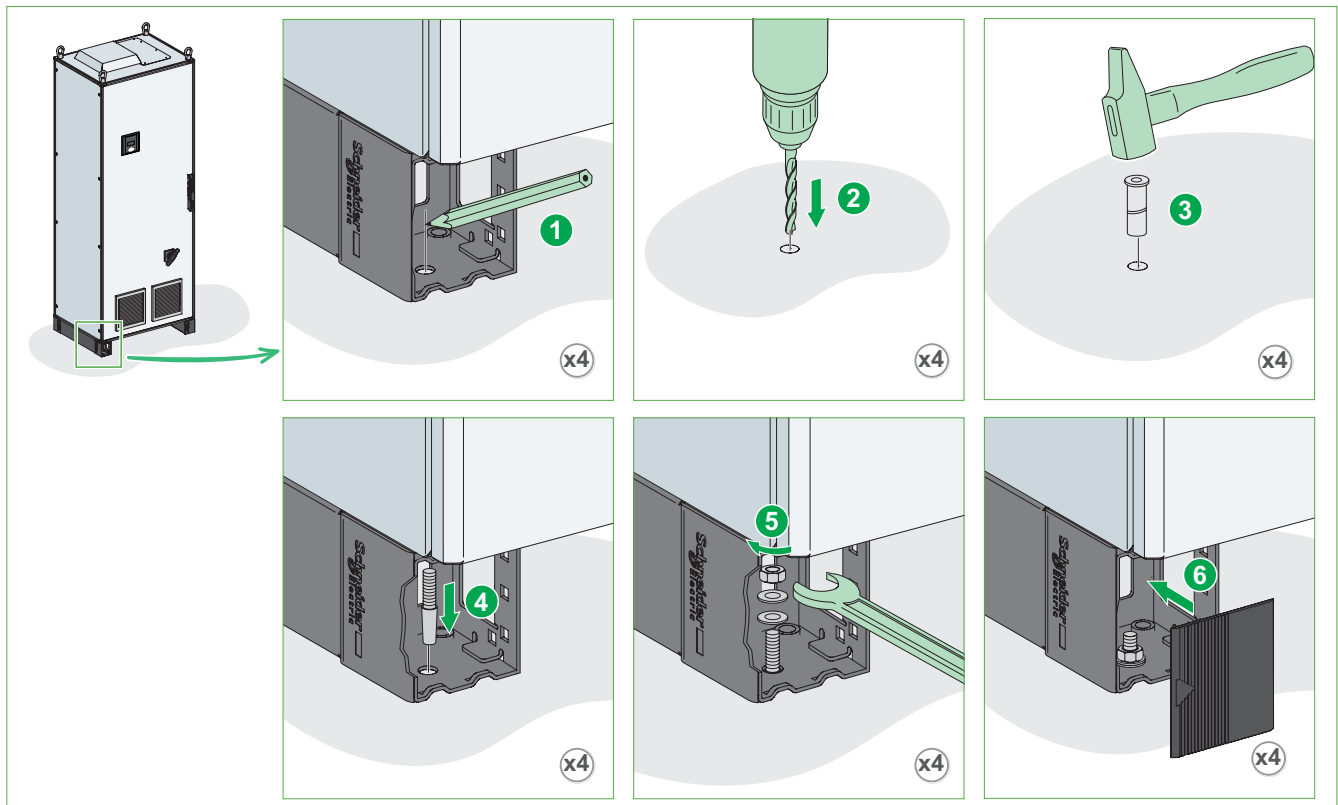
- Colocar el equipo en el emplazamiento elegido.
- Desenganche las protecciones de los ángulos de la base.
- Localizar los puntos de fijación, ver cotas contiguas.
- Tener en cuenta la posición del centro de gravedad para desplazar los equipos.
- Perforar el suelo (diámetro del agujero de fijación : 15 mm) y colocar los elementos de fijación (diámetro : 12 mm).
- Colocar el equipo en su emplazamiento y atornillar los tornillos de fijación.

⚠ ADVERTENCIA

RIESGO DE BALANCEO DEL ARMARIO

- Fijar el equipo utilizando los puntos de fijación indicados.
- Utilizar fijaciones adaptadas a la naturaleza del soporte y al peso del equipo.

Si no se siguen estas instrucciones, puede provocar la muerte, lesiones graves o daños en el equipo.



Localización de los puntos de fijación al suelo.

La conexión de cada armario a la red principal debe ser independiente, tal y como se muestra en el ejemplo de conexión correcta, abajo. Está prohibido derivar la potencia del equipo maestro al equipo esclavo, tal y como se muestra en el ejemplo de conexión prohibida. Cada equipo debe estar protegido por medio de un dispositivo de protección adecuado.

⚠️ PELIGRO

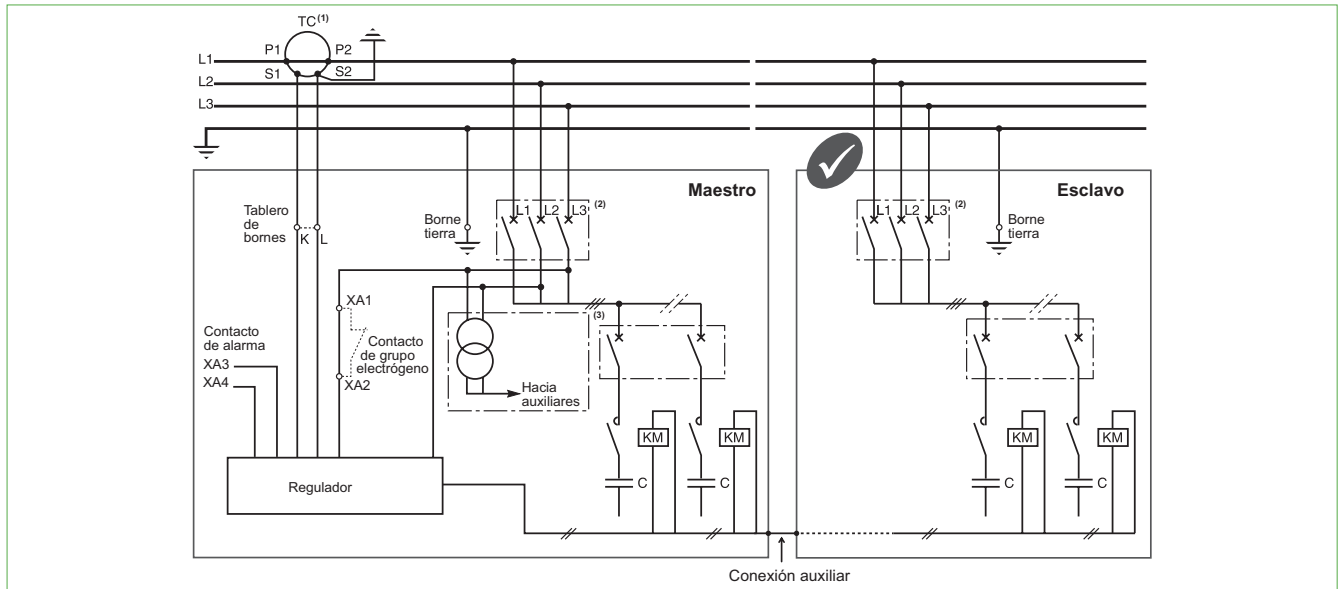
PELIGRO DE DESCARGA ELECTRICA FLASH, EXPLOSION O ARCO

- Utilice un equipo de protección personal (EPP) y siga las reglas de seguridad de trabajo eléctrico. Ver la NFPA 70E, CSA Z462 o las normas equivalentes locales.
- Este equipo debe ser instalado y mantenido por personal cualificado.
- Corte todas las fuentes de alimentación del equipo antes de realizar cualquier trabajo en el equipo.
- Utilice siempre un voltímetro con el calibre adecuado para confirmar que el equipo está sin energía.
- Antes de tocar cualquier parte activa, esperar por lo menos 5 minutos para que el equipo se auto descargue y luego poner en cortocircuito los bornes de cada condensador y conectarlos a tierra.
- Vuelva a colocar todos los dispositivos, puertas y tapas antes de energizar el equipo.

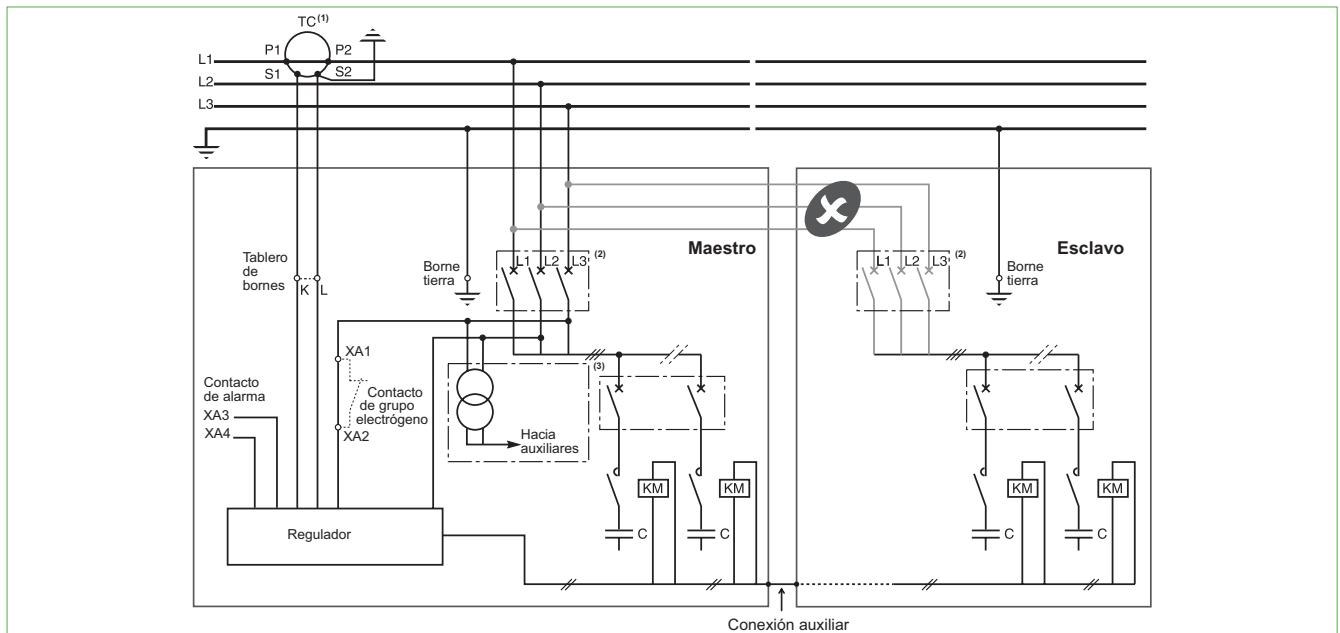
El incumplimiento de estas instrucciones podrá causar la muerte o lesiones graves.

Conexión de los armarios VLVA8P

Conexión correcta



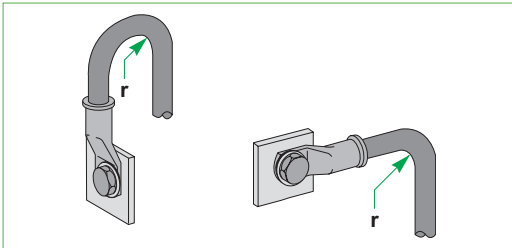
Conexión prohibida



Implementación de los cables

Radio de curvatura

DB413610.eps

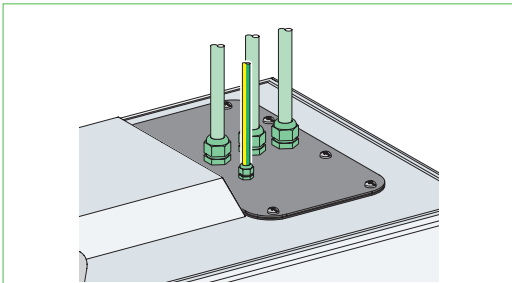


Las normas recomiendan un radio de curvatura desde 6 hasta 8 veces el diámetro.
Referirse al radio de curvatura dado por el proveedor de cables.

Radio de curvatura.

Nombre máximo de cables de potencia de la placa pasacables

DB413609.eps



Equipo	Cantidad
Cofrets	
VLVAF2P, VLVFF2P, VLVAF3P, VLVAF5P, VLVAF6P	12
VLVAF8P	12+12



Preparación de los cables para la conexión

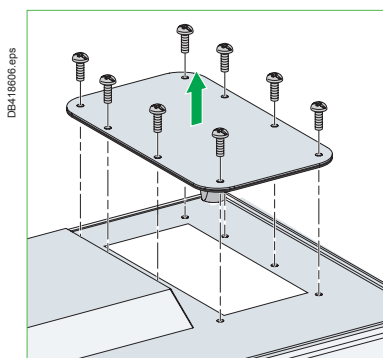
⚠️ PELIGRO

RIESGO DE CHOQUE ELÉCTRICO, DE EXPLOSIÓN O DE ARCO ELÉCTRICO

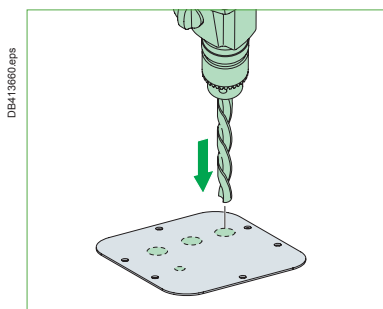
Dejarse fuera del cofret o del armario durante la perforación para evitar caída de virutas dentro de los equipos.

Si no se siguen estas instrucciones, provocará la muerte o lesiones graves.

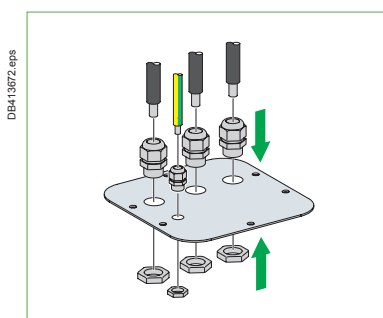
- Sacar la placa pasacables.



Retirada de la placa pasacables.



Perforación de la placa pasacables.

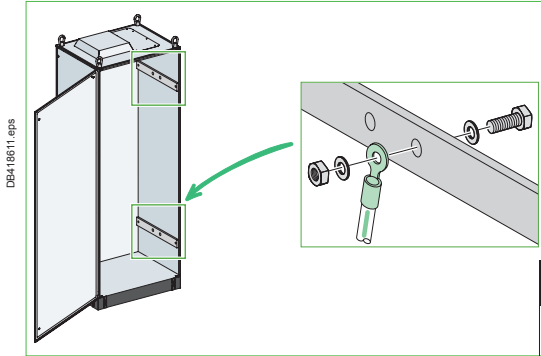


Paso de los cables y colocación de las prensaestopas.

- Utilizar un taladro para realizar los agujeros para permitir el paso :
 - de los cables de potencia
 - de los 2 hilos del transformador de corriente (para los modelos de compensación automática)
 - del cable de tierra
 - del cable de comunicación (Si requerido).

- Pasar los cables a través de la placa al colocar prensaestopas (no suministradas) de resultado equivalente al índice de protección del equipo.

Nota : para una entrada de los cables por debajo, proceder de la misma manera con la placa pasacables baja.



Conexión con barra de tierra.

Conexión a tierra

- Desatornillar el tapón situado en los pasadores de tierra.
- Realizar la conexión utilizando un cable de sección apropiado ; ver párrafo "Características de los cables de potencia cliente (400-415 V)", page 94 para la sección de los cables de protección.
- La conexión se hace con una tuerca con arandela de contacto.
- Aplicar un par de apriete de: 75 N.m (tornillo M12 categoría 8-8) para una barra de tierra.

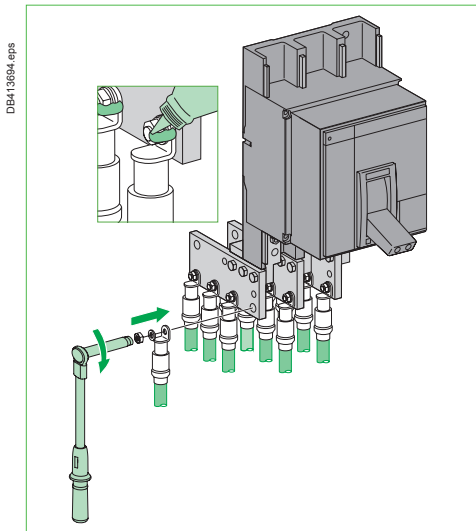
Conexión de los cables de potencia cliente

⚠️ PELIGRO

RIESGO DE CHOQUE ELÉCTRICO, DE EXPLOSIÓN O DE ARCO ELÉCTRICO

- Ver cuadro de sección de los cables de potencia.
 - Referirse al manual del interruptor automático de protección suministrado con su equipo para el tipo de conexión a realizar (terminal, contera).
 - Conectar los cables con las arandelas y los tuercas-tornillos.
 - Respetar los pares de apriete.
- Si no se siguen estas instrucciones, provocará la muerte o lesiones graves.**

- Atomillar los terminales de conexión en los bornes como indicado más abajo.
- El orden de las fases L1, L2, L3 debe corresponder al orden de las fases en el bornero o en el aparato de protección del equipo.
- Apretar los tornillos al par de apriete definido, ver cuadro más abajo.
- Marcar la conexión con un barniz adaptado.
- Ensamblar los cables y los mantenimientos colocando una abrazadera.



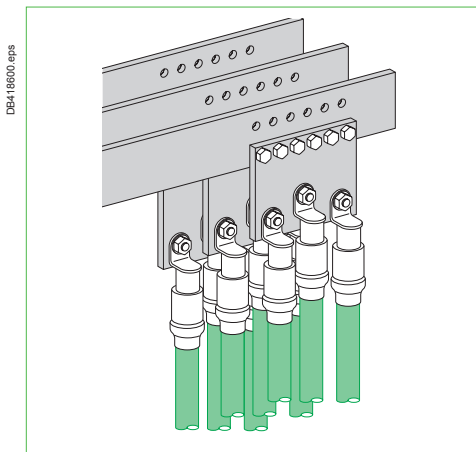
Conexión a un interruptor automático Compact NS630b-1600.

Tipo de disyuntores de protección según la

Equipo	Protección de entrada
Armarios	
VLVAF8P Maestro	NS1000 N/H
	NS1250 N/H
Esclavo	NS630B N/H
	NS800 N/H
	NS1000 N/H
	NS1250 N/H

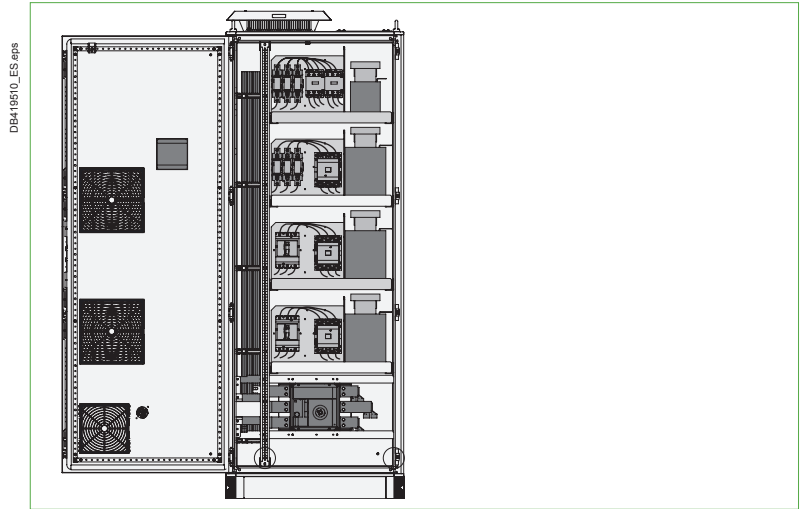
Tipo de conexión y pare de apriete

Compact NS	Intervalos de conexión en embarrado
50 N.m	M10 = 50 N.m

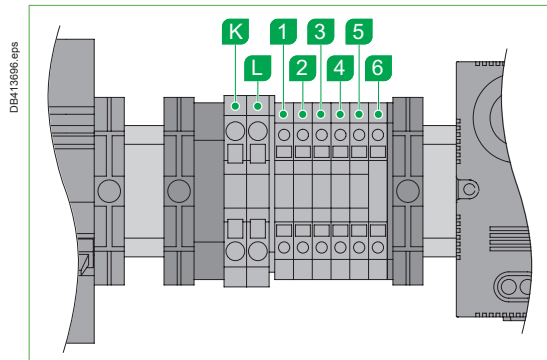


Conexión directa a un juego de barras.

Conexiones auxiliares



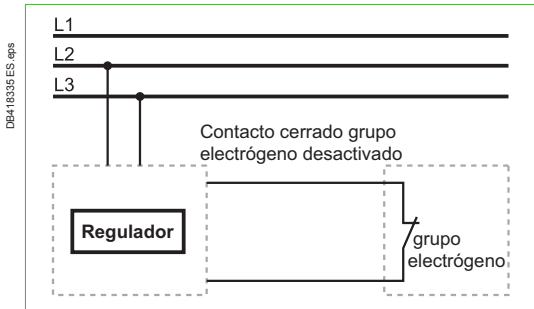
Terminal de conexiones auxiliares.



Designación de los bornes.

Equipo	Entrada señal de intensidad (TI)	Grupo electrógeno	Alarma del regulador	Información alarma temperatura
Características				
	Entrada de corriente 1A o 5A (5A es preferible) Potencia 5 V AC	Entrada de corriente secundaria 415 V, y 50 mA	Toma de corriente secundaria, contacto NF, presencia de alarma = contacto cerrado 2 A / 250 V AC	Fallo en el contacto del disyuntor principal 4 A / 240 V AC or 2 A / 440 V AC
Cofret				
VLVAF2P, VLVFF2P, VLVAF3P, VLVAF5P, VLVAF6P, VLVAF8P	K L	1 2	3 4	5 6

Consultar el párrafo "Características de los cables cliente y de las capacidades de conexión" página 101 para la sección de los cables auxiliares.

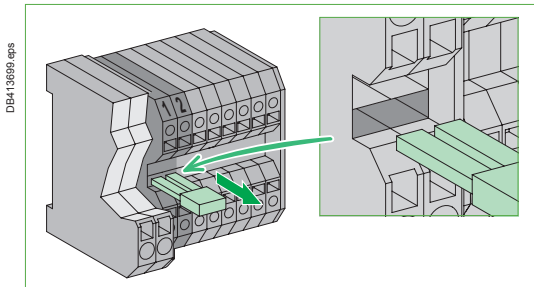


Conexión con un grupo electrógeno

AVISO

RIESGO DE DEGRADACIÓN DEL RENDIMIENTO DEL SISTEMA
 Es importante desconectar la batería de condensadores cuando el grupo electrógeno está en funcionamiento.
El incumplimiento de estas instrucciones impedirá que el grupo electrógeno arranque y provocará la pérdida de suministro de corriente.

Para una instalación equipada con un grupo electrógeno, conectar sus hilos a los bornes 1 y 2.

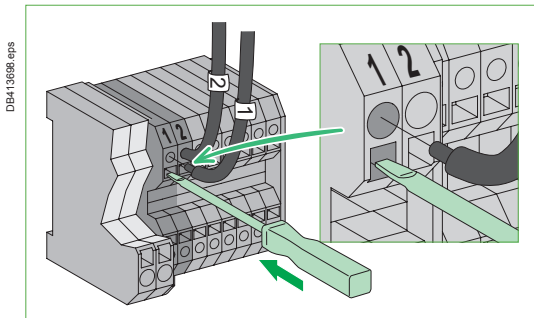


Retirada del elemento de unión del regletero de conexión del grupo electrógeno.

Características

- Contacto seco, normalmente cerrado (contacto cerrado = el grupo electrógeno está desactivado)
- Especificaciones de contacto : 415 V CA, ≤ 50 mA.

Sacar el elemento de unión.



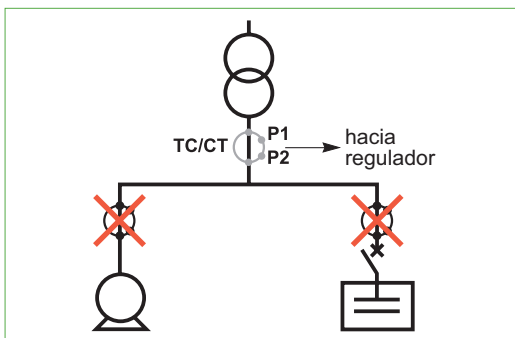
Conexión del grupo electrógeno.

Conectar los 2 hilos del grupo electrógeno a los bornes 1 y 2.

Al arrancar el grupo electrógeno, la alimentación del regletero está cortada, la batería para de funcionar.

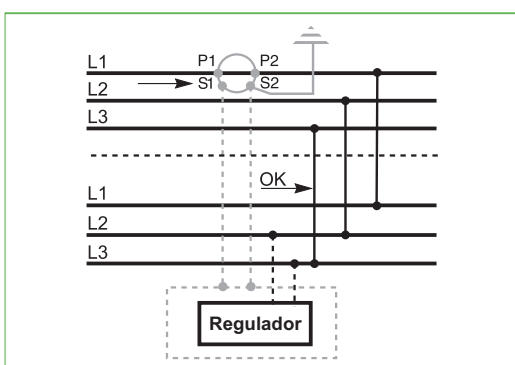


DB418398 ES.eps



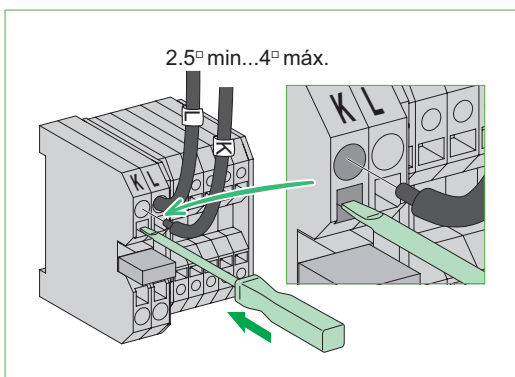
Emplazamiento del IT en el circuito de potencia.

DB418330 ES.eps



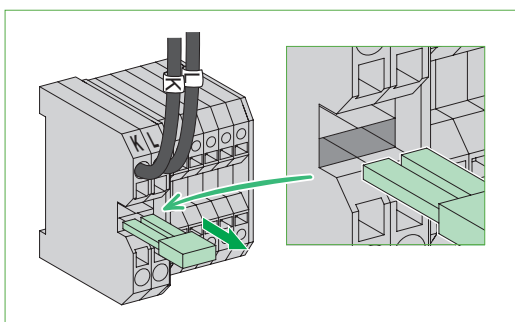
Conexión del IT.

DB413875_ES.eps



Conexión de un IT.

DB410643.eps



Retirada del elemento de unión en el regletero de conexión del IT.

Para la compensación automática únicamente.

Instalación del transformador de corriente (IT) en la red

■ Instalar imperativamente el IT aguas arriba del equipo y de los receptores (motores...); ver esquema contigo.

Conexión del transformador de corriente

■ Conectar el borne P1 al borne K del regletero y el borne P2 al borne L del regletero.

Para más informaciones, referirse a la documentación del IT (no suministrada por Schneider Electric).

■ Sacar el elemento de unión después de conectar el IT al regletero, ver más abajo.

En caso de intervención en el circuito secundario del IT, conservar el elemento de unión Schneider Electric, ref. NSYTRAL42.

El transformador de corriente debe estar colocado en la fase 1 del circuito de potencia.

El circuito secundario del transformador de intensidad debe estar conectado a tierra.

Conexión del transformador de corriente (IT) al regulador

El objetivo es de conectar el regulador a la medida de corriente de la red cliente.

Esta operación concierne únicamente los modelos de compensación automática.

⚠️ PELIGRO

RIESGO DE CHOQUE ELÉCTRICO, DE EXPLOSIÓN O DE ARCO ELÉCTRICO

■ Nunca abrir el circuito secundario de un transformador de corriente cuando el circuito primario está en tensión.

■ Antes de cada intervención en el circuito secundario, los bornes secundarios del transformador de corriente deben estar puestas en cortocircuito al usar el elemento de unión Schneider Electric ref. NSYTRAL42.

Si no se siguen estas instrucciones, provocará la muerte o lesiones graves.

No realizar ninguna derivación

El transformado de corriente debe ser dedicado al equipo.

■ Riesgo de envío de informaciones incorrectas al nivel del regulador.

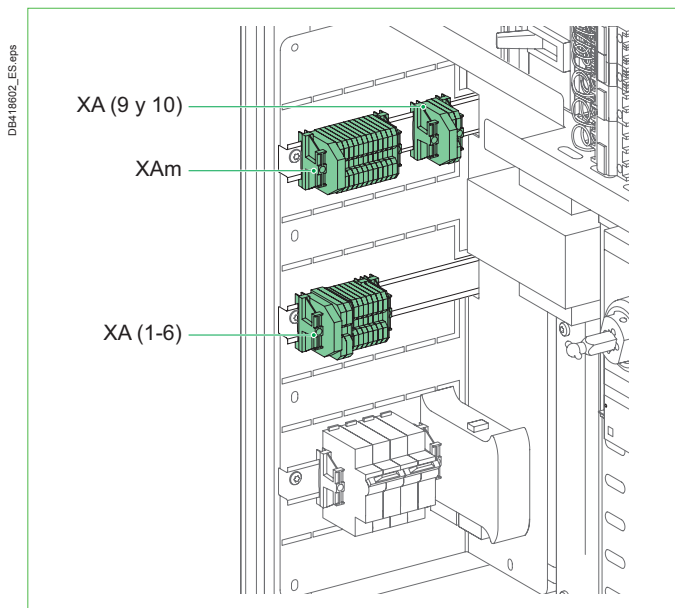
■ Riesgo de pérdidas de beneficio del uso del equipo.

Conexión de la parte de control de un armario maestro esclavo

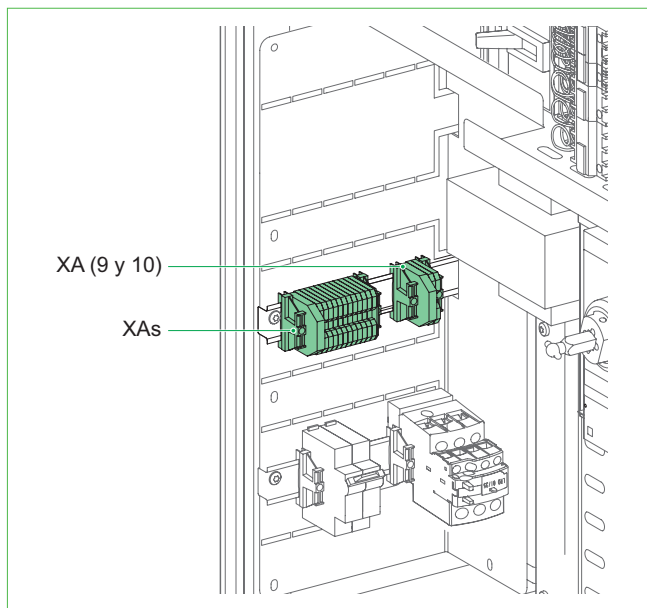
El control del equipo esclavo (terminal de conexión XAs) debe estar conectado al equipo maestro (terminal de conexión XAm) según el plano EAV1886000 suministrado con el equipo.

Tipo de cable recomendado (no suministrado):

- aislamiento 1000 V, 105 °C, sección comprendida entre 1 y 2,5 mm².

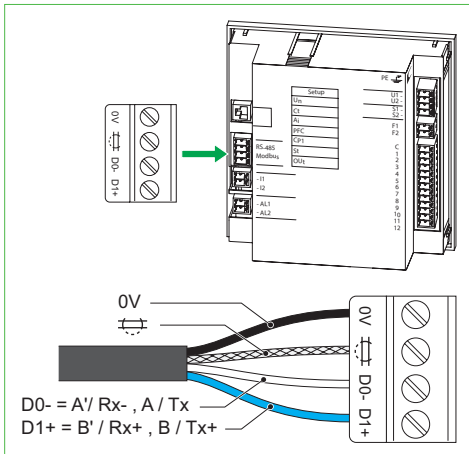


Equipo maestro.

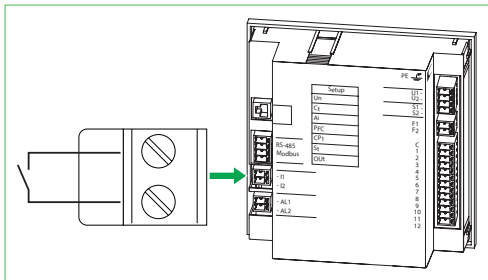


Equipo esclavo.





Conexión del módulo.



Conexión de la comunicación

Material a prever (no incluido en el equipo)

- Cable recomendado: Belden 3106A blindado AWG22 3 filamentos.

Conexión al regulador

- Orden de las fichas:
 - 0V comunicación
 - Blindaje de la comunicación (No hay conexión interna con el 0 V ni con la tierra del controlador)
 - Señal D0-
 - Señal D1+
- Tensión de aislamiento 1,3 kV
- Sección de cable: 0,2 a 1 mm² (30-19 AWG)
- Cable recomendado: Belden 3106A blindado AWG22 3 filamentos
- Par de apriete 0,5 a 5 Nm.

Consultar la documentación del module de comunicación Modbus VL6/12 7EN02-0376.

Conexión de la función cosino φ 2

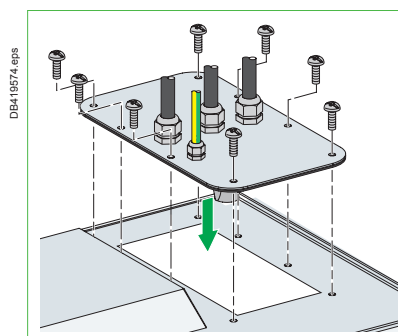
- Características:
 - Entrada auto alimentada (5 V - 10 mA) para contact seco NA o NC
 - El estado se puede parametrar en el controlador, por defecto esta en NO
 - contacto abierto: cosino φ 1
 - contacto cerrado: cosino φ 2.
- Sección de cable de 0,2 a 1 mm², longitud maximal 100 m. Para una longitud superior a 50 m, utilizar una sección 0.6 mm² por lo menos.

Instalación del cable de comunicación o cos φ 2 en el interior de la batería.

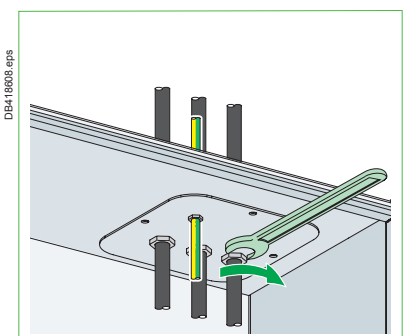
Desde la placa pasacables y siguiendo la manguera del cableado de control, ir hacia el regulador. Ver § Preparación de los cables para la conexión de la página 98. **El cable deberá cumplir las distancias de aislamiento y líneas de fuga en el interior de la batería.** Dependiendo del equipo suministrado utilizar bases adhesivas para bridas con el fin de sujetar el cable hasta la manguera de los cables de control. Sujete el cable, junto a la manguera del cableado de control, utilizando las bridas que considere necesarias. Coloque las bridas a intervalos regulares, el cable no debe de quedar suelto. **El cable no debe interferir con la apertura de la puerta, ni debe de ser presionado al cerrarse la misma.**

Últimas operaciones después de realizar las conexiones

- Volver a colocar la placa pasacables y sus atornillos de fijación, par de apriete: 1.3^{+0,5} N.m.
- Atornillar las prensaestopas.



Colocación de la placa pasacables.



Atornillamiento de las prensaestopas.

Controles preliminares

DANGER

RIESGO DE CHOQUE ELÉCTRICO, DE EXPLOSIÓN O DE ARCO ELÉCTRICO

- Todo el trabajo debe ser realizado por personal cualificado y autorizado.
- El suministro de corriente del equipo debe cortarse antes de la limpieza.

Si no se siguen estas instrucciones, provocará la muerte o lesiones graves..

Limpieza

Antes de proceder a su puesta en servicio y para garantizar las distancias de aislamiento y las líneas de fuga, el equipo no debe tener polvo o restos introducidos durante la instalación. Controlar en particular los filtros, las rejillas de ventilación, los juegos de barras y sus soportes así que las conexiones eléctricas.

El espacio alrededor del equipo tampoco debe tener acumulaciones de polvo o partículas finas.

- Utilizar una aspiradora para realizar esta limpieza.
- Nunca limpiar con aire comprimido para evitar el desplazamiento de las suciedades hacia otras superficies.
- Utilizar trapos secos.

Verificaciones

- Verificar la ausencia de todo objeto extraño en el equipo (herramientas, ...).
- Verificar la integridad de la protección de los cables de potencia aguas arriba y abajo de la instalación.
- Verificar la integridad del conductor de protección de tierra y su conexión.
- Verificar los pares de apriete.
- Controlar la implementación del transformador de corriente : el posicionamiento en la fase 1, las fijaciones mecánicas y las conexiones eléctricas.
- Verificar la configuración de la red de comunicación : resistencia de polarización, resistencia de fin de línea.
- Verifique que la tensión de red coincida con la tensión del equipo.



Puesta en tensión

PELIGRO

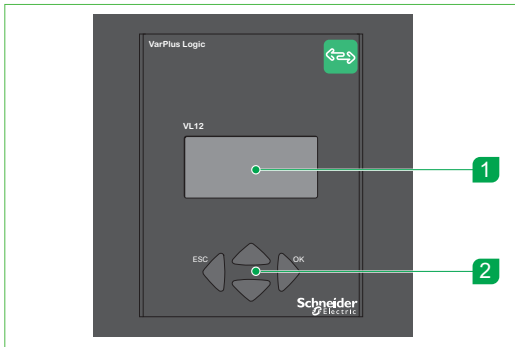
RIESGO DE CHOQUE ELÉCTRICO, DE EXPLOSIÓN O DE ARCO ELÉCTRICO

- Cada intervención debe estar realizada por un personal electricista cualificado y habilitado.
 - Respetar el plazo de 50 s después de la puesta fuera tensión antes de cada intervención sobre el equipo (duración necesaria a la descarga de los condensadores).
 - El regulador no es un dispositivo de seguridad ; no permite la verificación de la ausencia de tensión.
 - El equipo debe estar colocado fuera de tensión antes de cada operación de instalación o de mantenimiento.
- Si no se siguen estas instrucciones, provocará la muerte o lesiones graves.**

Verificaciones en explotación

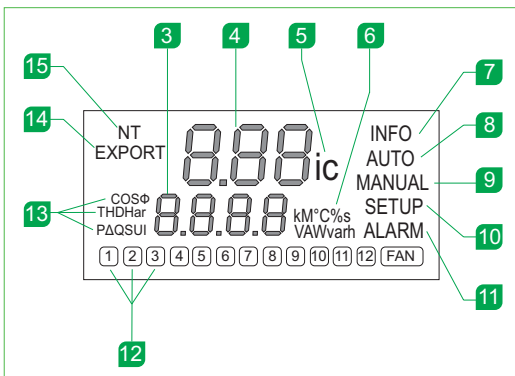
- En caso de intervención, verificar obligatoriamente la ausencia de tensión. El regulador no permite verificar la ausencia de tensión.
- Verificar las maniobras intempestivas provocadas por el regulador. Definir un umbral del número de reconexiones de un mismo escalón, mínimo 50 segundos ; valor predefinido en el regulador.
- En caso de funcionamiento a plena carga, verificar la conexión correcta de los escalones.
- Tras unas horas de funcionamiento, calcular la evolución de temperatura del local.

DB419376 eps



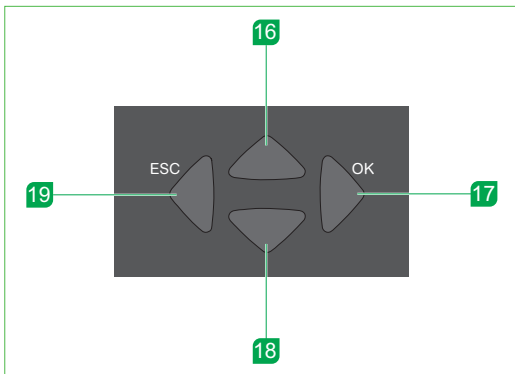
Vista exterior del regulador NRC12

DB419377 eps



Pantalla

DB419378 eps



Teclas de navegación

Para las acciones de controlador, consulte las instrucciones suministradas con el producto.

⚠ PELIGRO

RIESGO DE CHOQUE ELÉCTRICO, DE EXPLOSIÓN O DE ARCO ELÉCTRICO

Nunca reducir el tiempo desconexión de los escalones jebajo de 50 segundos

Si no se siguen estas instrucciones, provocará la muerte o lesiones graves.

AVISO

RIESGO DE DEGRADACIÓN DE RESULTADOS DEL EQUIPO

El regulador está configurado de fábrica para un funcionamiento normal y óptimo. Cualquier modificación de esta configuración se realizará bajo responsabilidad del usuario.

El incumplimiento de estas instrucciones impedirá la pérdida total o parcial del equipo y la no disponibilidad de la instalación.

Aunque el regulador instalado en su batería VarSet este configurado en fabrica para funcionar correctamente con el equipo, quedan los siguientes parámetros a configurar:

- el valor de consigna del parametro de cosino ϕ
- el valor de ratio de sobrecarga en corriente (permite la correcta visualización de los valores medidos).

Nota: Para mas informaciones sobre el regulador, referirse a las instrucciones des aparato suministrado con el material.

Importante

- En caso de alimentación a través de un IT sumador (instalación con varios transformadores de entrada), la relación a tener en cuenta es la suma de las relaciones de los diferentes IT.
- Para una instalación equipada con un grupo electrógeno, es necesario poner en marcha la batería antes de bascular al grupo, cortando la alimentación del regulador.

- | | |
|--|---|
| 1 Pantalla | 11 Si parpadea indica que la alarma se ha activado |
| 2 Teclas de navegación | 12 Cuando se activa, se ilumina el número de paso |
| 3 Pantalla digital de medición | 13 Medición mostrada |
| 4 Factor de potencia total de desplazamiento (DPF) | 14 Indica que se está exportando un flujo de potencia a la red |
| 5 DPF inductivo o capacitivo (en retraso o en avance) | 15 Indica que se ha activado una previsión secundaria de DPF |
| 6 Unidades de medida | 16 ■ Aumentar valores
■ Seleccionar elementos del menú |
| 7 Información de paso | 17 ■ Abrir menú
■ Mover cursor a la derecha
■ Configuraciones |
| 8 Indica el modo automático | 18 ■ Reducir valores
■ Seleccionar elementos del menú |
| 9 Indica el modo de funcionamiento manual de los pasos | 19 ■ Salir del menú
■ Mover cursor a la izquierda |
| 10 Indica el modo del menú SETUP (configuración) | |

Puesta en servicio sencilla del controlador VarPlus Logic

Antes de configurar el regulador, asegurese de que el elemento de union en las bornas KL este quitado.

Vaya a SETUP 100:

1. Configure la relación del TI (Ct) y el $\cos \varphi$ (CP1).
2. Si la pantalla del controlador muestra PFC OFF, configure el parámetro PFC en ON, antes de ejecutar la Ai.
3. Ejecute la autoinicialización (Ai) pulsando "Ai" de "OFF" a "ON".

La Ai detecta automáticamente los pasos del condensador conectados y comprueba si la conexión de fase (el ángulo entre la tensión y la posición del TI) es correcto. La secuencia de Ai activa y desactiva los pasos varias veces. Se tardará varios minutos en completar este proceso y, a continuación, el relé se estabilizará.

Durante esta secuencia, el controlador mostrará "Ai" en la pantalla.

Requisitos mínimos para ejecutar una Ai	Para lograr una detección de pasos de Ai correcta
<ul style="list-style-type: none"> ■ La tensión deberá estar en el intervalo de tolerancia ■ El TI deberá estar conectado ■ La protección de los condensadores deberá estar cerrada ■ La intensidad de entrada no es demasiado baja. 	<ul style="list-style-type: none"> ■ El dimensionamiento de la relación del TI deberá adecuarse a las dimensiones del transformador ■ La potencia del paso más pequeño no es excesivamente pequeña. ■ Nivel de carga suficiente cuando se ejecuta Ai ■ Pequeña variación de carga durante la secuencia de Ai.

Al final de la "Ai", el controlador se pondrá en modo "Auto".

Información de secuencia de Ai correcta	Secuencia de Ai incorrecta [error "Abrt" (anular)]
<ul style="list-style-type: none"> ■ Si se cambia el cableado de fase (y se cablea de forma incorrecta), el controlador corrige automáticamente el ángulo de fase de manera interna y cambia al modo normal. "Auto" aparecerá en pantalla. ■ Comprobación final de la detección de pasos: <ul style="list-style-type: none"> □ Vaya a SETUP 100 -> OUT -> abrir (flecha a la derecha) y compruebe que el estado de todos los pasos es correcto según la configuración de la batería de PFC (FIX OFF = paso no detectado; AUTO = paso detectado) □ Si fuera necesario, cambie el estado OUT al valor esperado. 	<ul style="list-style-type: none"> ■ Si la secuencia fuera incorrecta, vuelva a ejecutar la Ai. Si se anula otra vez la Ai, no se podrá detectar la conexión de fase (el ángulo entre la tensión y la posición del TI). El control se desplazará al modo desactivado de PFC, y la conexión de fase deberá realizarse manualmente. Consulte el manual del usuario.



Mensajes visualizados por el regulador y soluciones

El diagnóstico de un problema, durante la puesta en marcha del equipo, se puede hacer generalmente desde la pantalla del regulador.

- ALARM parpadea cuando hay una alarma.
- El menú de alarmas enumera las 5 últimas alarmas registradas.

Alarma	Causa	Solución
ALARMA AI/Abt	Autoinicialización anulada.	La autoinicialización puede anularse por variaciones de la carga o por señales de intensidad medida demasiado pequeñas.
ALARMA U	La tensión medida se encuentra fuera de la tolerancia de tensión.	Compruebe la configuración de la tensión nominal y del transformador de tensión.
ALARMA I LO	La intensidad medida es demasiado baja (el TI actual es < 15 mA).	Error de conexión del TI; no se ha quitado la conexión de cortocircuitos del TI; la relación del TI es demasiado alta en comparación con la intensidad real; no hay intensidad.
ALARMA I Hi	La intensidad medida es demasiado alta.	Carga demasiado elevada o selección incorrecta del TI.
ALARMA PFC	El controlador no puede alcanzar el $\cos \phi$ previsto. Sobrecompensación o subcompensación.	Compruebe que todos los pasos están bien definidos y funcionan correctamente. Compruebe que el dimensionamiento de la batería de PFC es suficiente en comparación con los KVAR que precisa la carga.
ALARMA HAR	Se ha superado el límite de THD U. El controlador desconectará pasos para corregir la THD U.	Compruebe la instalación y verifique si se da un valor demasiado alto de la THD U o si hay una posible resonancia.
ALARMA Step/Flty (el paso no operativo está parpadeando)	Uno o varios pasos no están operativos (se detectan como no operativos después de conectar con el paso 3 veces sin obtener ninguna medida).	Compruebe la conexión de los pasos, la posición de los fusibles o los interruptores compactos (MCCB) y el estado del condensador.
ALARMA SPL/Nr	Uno o varios pasos se encuentran por debajo del 75 % de la potencia inicial.	Compruebe la configuración y la capacidad eléctrica del condensador.
ALARMA Thi	Se ha superado el límite de temperatura de alarma.	Compruebe los ventiladores y la temperatura ambiente.
ALARMA OPH	Se ha superado el límite establecido de horas de funcionamiento máximas admisibles.	Compruebe los interruptores/fusibles MCCB, los contactores y los condensadores que componen el paso. Compruebe el valor de capacidad eléctrica y sustituya los condensadores si la capacidad ha caído por debajo del límite de tolerancia.
ALARMA OPC/Nr	Se ha superado el límite establecido de ciclos de funcionamiento máximos admisibles.	Compruebe los interruptores/fusibles MCCB, los contactores y los condensadores que componen la batería de PFC. Compruebe el valor de capacidad eléctrica y sustituya los condensadores si la capacidad ha caído por debajo del límite de tolerancia.
ALARMA OL	Límite del ratio de sobrecarga en intensidad del condensador superado (basado en el cálculo de la THD U).	Compruebe la instalación y verifique si se da un valor demasiado alto de la THD U o si hay una posible resonancia.
ALARMA HU	Se ha detectado que uno o varios pasos se encuentran en modo de inestabilidad. El número de paso y el código de error parpadearán.	
Anomalía	Causa	Solución
No aparece la indicación AUTO	Los relés no conmutan.	En el menú SETUP/100, la selección de PFC es OFF o HOLD; no se ha configurado la relación del TI; la temperatura es demasiado elevada; la intensidad es <15 mA; la tensión, la THD U o el ratio de sobrecarga en intensidad están fuera del límite de tolerancia.
EXPORT	Exportación de kW	Si no hay una verdadera exportación de potencia activa (kW), compruebe las conexiones de intensidad y tensión del controlador.
Indicación incorrecta de $\cos \phi$	El cableado no se corresponde con la configuración del controlador.	Compruebe las conexiones de intensidad y tensión del controlador.
Conmutación frecuente de los pasos	No se ha detectado completamente la potencia de los condensadores, o bien los condensadores están inutilizados.	Compruebe la potencia del condensador en el menú INFO.
Todos los pasos están configurados como "Fix off"	No se ha localizado o no se ha conectado correctamente el TI; no se ha quitado la conexión de cortocircuitos.	Compruebe la conexión y la posición del TI.

Mantenimiento preventivo y curativo

Mantenimiento preventivo

Para asegurar el buen funcionamiento de su equipo de baja tensión, es necesario realizar anualmente unas operaciones de mantenimiento. Gracias por consultar el guía de mantenimiento suministrado en vuestro equipo.

Contacte con Schneider Electric para realizar estas operaciones.

Mantenimiento curativo

Contacte con Schneider Electric.



Меры безопасности	124
<hr/>	
Общая информация	126
Введение	126
Перечень документов и спецификация	127
Технические характеристики	128
Размеры и масса оборудования	131
Компоновка оборудования	133
Требования к помещению для монтажа	134
Требования к оборудованию, расположенному со стороны источника питания	137
Требования к кабелям, устанавливаемым заказчиком	138
<hr/>	
Монтаж	142
Приёмка и погрузочно-разгрузочные работы	142
Распаковка оборудования	143
Хранение оборудования	144
Способы подключения	147
Электрические соединения	150
Подача напряжения	158
Настройка контроллера	160
<hr/>	
Эксплуатация	161
Работа контроллера по управлению конденсаторной установкой	161
<hr/>	
Обслуживание	162
Профилактическое и восстановительное обслуживание	162

Важная информация

Прежде чем приступить к монтажу, эксплуатации или обслуживанию, внимательно изучите эти правила и ознакомьтесь с изделием. В настоящем документе и на оборудовании имеются специальные символы, предупреждающие о потенциальных опасностях или привлекающие внимание к информации, которая поясняет или упрощает порядок действий.



Эти символы используются совместно или вместо предупреждающих надписей DANGER (ОПАСНО ДЛЯ ЖИЗНИ!) или WARNING (ВНИМАНИЕ!) и указывают на то, что несоблюдение предписанных требований может привести к поражению электрическим током.



Это знак предупреждения. Предупреждает о потенциальной опасности получения травмы. Выполняйте все требования, указанные после этого знака. Несоблюдение этих требований может привести к получению травм или к смерти.

▲ ОПАСНО ДЛЯ ЖИЗНИ!

Надпись "**ОПАСНО ДЛЯ ЖИЗНИ!**" предупреждает о наличии опасности, которая, если не принять соответствующих мер, **приведёт** к тяжелой травме или смертельному исходу.

▲ ВНИМАНИЕ!

Надпись "**ВНИМАНИЕ**" предупреждает о наличии потенциальной опасности, которая, если не принять соответствующих мер, **может привести** к тяжелой травме или к смертельному исходу.

▲ ОСТОРОЖНО!

Надпись "**ОСТОРОЖНО**" указывает на возможную опасность получения незначительных телесных повреждений или травм средней тяжести, а также повреждения оборудования.

ПРЕДУПРЕЖДЕНИЕ

Надпись "**ПРЕДУПРЕЖДЕНИЕ**" обозначает опасность, не связанную с получением травмы. Эта надпись не используется с символом опасности.

ПРИМЕЧАНИЕ: Содержит дополнительную информацию, объясняющую или упрощающую выполнение операций.

Обратите внимание

Монтаж, ввод в эксплуатацию, техническое обслуживание и ремонт электрооборудования должны выполнять только квалифицированные специалисты. Компания Schneider Electric не несет ответственности за любые последствия выполнения требований настоящего документа.

Квалифицированным является специалист, обладающий навыками и знаниями, связанными с конструкцией, правилами эксплуатации и монтажа электрического оборудования и мерами электробезопасности.

Перед началом работ

■ Данный документ не отменяет необходимости определения пригодности описанных в нём изделий для решения конкретных задач и их надёжности в указанных областях применения и не может служить для такого определения. Потребитель или интегратор обязан выполнить надлежащий полный анализ рисков, оценку и испытание изделий с учетом соответствующей области применения.

■ При использовании оборудования в электроустановках с повышенными требованиями к безопасности необходимо соблюдать соответствующие инструкции.

ОПАСНО ДЛЯ ЖИЗНИ!

ОПАСНОСТЬ ПОРАЖЕНИЯ ЭЛЕКТРИЧЕСКИМ ТОКОМ, ВОЗНИКНОВЕНИЯ ДУГИ ИЛИ ВЗРЫВА

- Строго соблюдайте меры электробезопасности, работайте в средствах индивидуальной защиты. См. NFPA 70E, CSA Z462 или аналогичные национальные правила.
 - К монтажу и техническому обслуживанию данного оборудования допускается только квалифицированный персонал.
 - Перед выполнением любых работ как снаружи, так и внутри оборудования, отсоедините его от всех источников электропитания.
 - После отключения электропитания убедитесь в отсутствии напряжения с помощью соответствующего индикатора напряжения.
 - Перед производством работ выдержите не менее 5 минут для саморазрядки конденсаторов и наложите заземление на каждый проводник, соединяя их тем самым между собой и с землей.
 - Перед возобновлением подачи напряжения установите на место все снятые компоненты, изолирующие перегородки и дверцы.
- Несоблюдение указанных требований может привести к серьезным травмам вплоть до летального исхода.**

■ Оборудование не требует других операций по монтажу, кроме описанных ниже.

ОСТОРОЖНО!

ОПАСНОСТЬ ПОВРЕЖДЕНИЯ ОБОРУДОВАНИЯ

Запрещается изменять конструкцию механических или электрических компонентов изделия.

Несоблюдение указанных требований может привести к смерти, серьезным травмам и повреждению оборудования.

ОСТОРОЖНО!

ОПАСНОСТЬ ПОЛУЧЕНИЯ ОЖОГОВ

Во время работы оборудования и в течение нескольких минут после отключения компоненты могут сильно нагреваться. Перед выполнением любых работ удостоверьтесь, что металлические детали остыли.

Несоблюдение указанных требований может привести к смерти, серьезным травмам и повреждению оборудования.



Вы приобрели энергосберегающее оборудование низкого напряжения, разработанное и изготовленное компанией Schneider Electric. Руководствуясь настоящим документом, Вы можете обеспечить максимальную энергоэффективность Вашей электроустановки. Документ содержит всю необходимую информацию по подготовке, монтажу и работе с оборудованием. Настоятельно рекомендуем внимательно изучить этот документ и следовать всем его рекомендациям.

■ Никакая часть данного документа не может быть воспроизведена ни в какой форме и никакими средствами, электронными или механическими, включая фотокопирование, без письменного разрешения компании Schneider Electric.

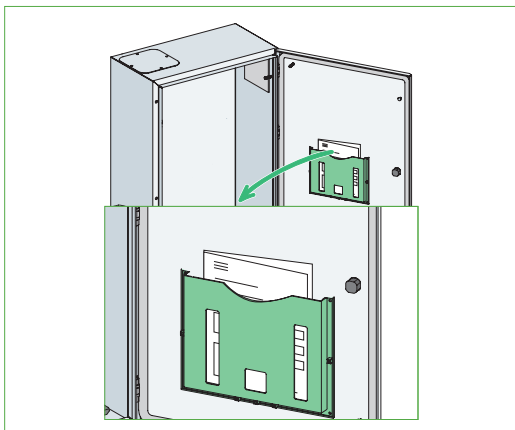
■ Монтаж и эксплуатацию устройств, описанных в настоящем руководстве, следует производить в строгом соответствии с требованиями международных, национальных и местных нормативных документов.

■ По соображениям безопасности и с целью поддержания задокументированных технических характеристик, ремонтировать оборудование и его компоненты разрешается только изготовителю.

■ Предложения по изменению настоящего документа направляйте в компанию Schneider Electric (см. контактные данные в конце документа).



D8413651.rps



Документация

Руководство по приёмке: распаковка, погрузка-выгрузка, хранение (информация доступна на упаковке).

На внутренней стороне дверцы шкафа прикреплен держатель, в котором находится следующая документация:

- Руководство по монтажу и эксплуатации VarSet
- Руководство по обслуживанию конденсаторных батарей
- Электрическая схема силовых цепей
- Схема вспомогательных цепей
- Схема подключений к клеммным выводам вспомогательных цепей
- Техническое описание
- Краткое руководство по контроллеру (руководство можно скачать на сайте www.schneider-electric.com).
- Руководство по эксплуатации защитного автоматического выключателя (в зависимости от модели)

После ввода в эксплуатацию настоящее Руководство рекомендуется хранить в держателе документации внутри конденсаторной установки.



Стандарт
МЭК 61439-1/2



Стандарт
МЭК 61921



Стандарт
МЭК 60831-1/2

Общие характеристики

- Номинальное напряжение, мощность и частота указаны на заводской табличке.
- Напряжение изоляции: 800 В (в зависимости от модели)
 - 2,5 кВ в течение 1 мин. при частоте 50 Гц.
- Допустимый номинальный кратковременный ток 50/65 кА (в зависимости от модели).
- Передача данных: Modbus RS485 2 проводный.
- Вспомогательный источник питания 220/230 В, 50/60 Гц.
- Степень защиты IP31/IP54 (в зависимости от модели).
- Входы для подключения сигнала от генераторной установки (клеммы XA1 - XA2).
- Цвет:
 - оболочка: RAL 9003;
 - основание: RAL 7022.
- Соответствие стандартам: МЭК 61439-1/2 и МЭК 61921.
- Стойкость к внешнему механическому воздействию IK10.
- Контакт для аварийной сигнализации (клеммы XA3 - XA4).

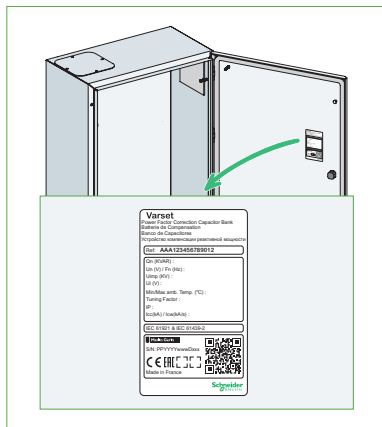
Характеристики конденсаторов

- Номинальное напряжение 480В
- Допустимое отклонение значения ёмкости: от -5 до +10 %.
- Допустимая перегрузка по напряжению: (8 ч в сутки в соответствии с МЭК 60831-1/2): 10 %.
- Максимально допустимый длительно выдерживаемый ток: 1,8 In

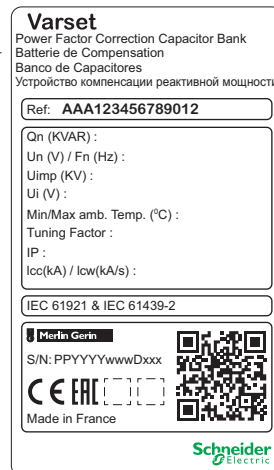
Ограничения по использованию

- Установка только внутри помещения.
- Питание: 400 В / 50 Гц, 400 В / 60 Гц, 415 В / 50 Гц.

Заводская табличка



Расположение заводской таблички



Расшифровка серийного номера

PP YYYYY www D xxx

PP: код завода-изготовителя
YYYY: год производства
www: неделя производства
D: день недели производства
xxx: порядковый номер изделия

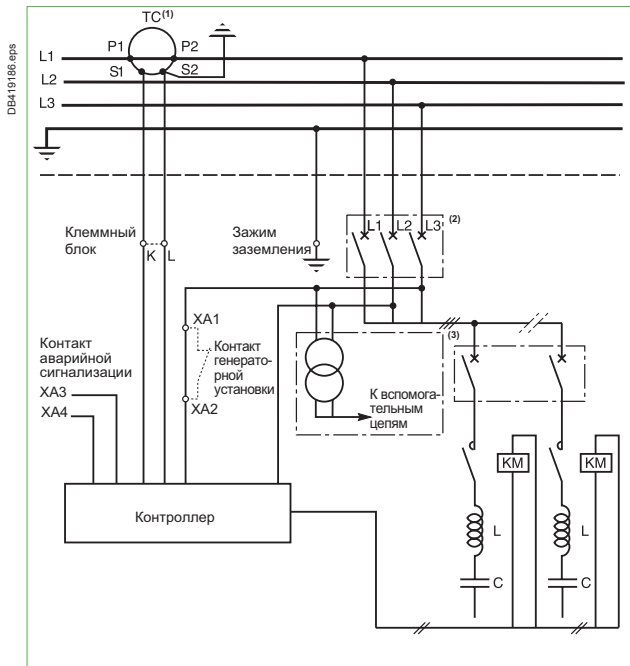


Состав оборудования

Тип	Автоматический выключатель	Защитный реактор (антирезонансный дроссель)	Схемы подключений
VLVAF2P, VLVAF3P, VLVAF5P, VLVAF6P, VLVAF8P, VLVFF2P	есть/нет	есть	

Схемы подключений

VLVAF2P, VLVAF3P, VLVAF5P, VLVAF6P, VLVFF2P

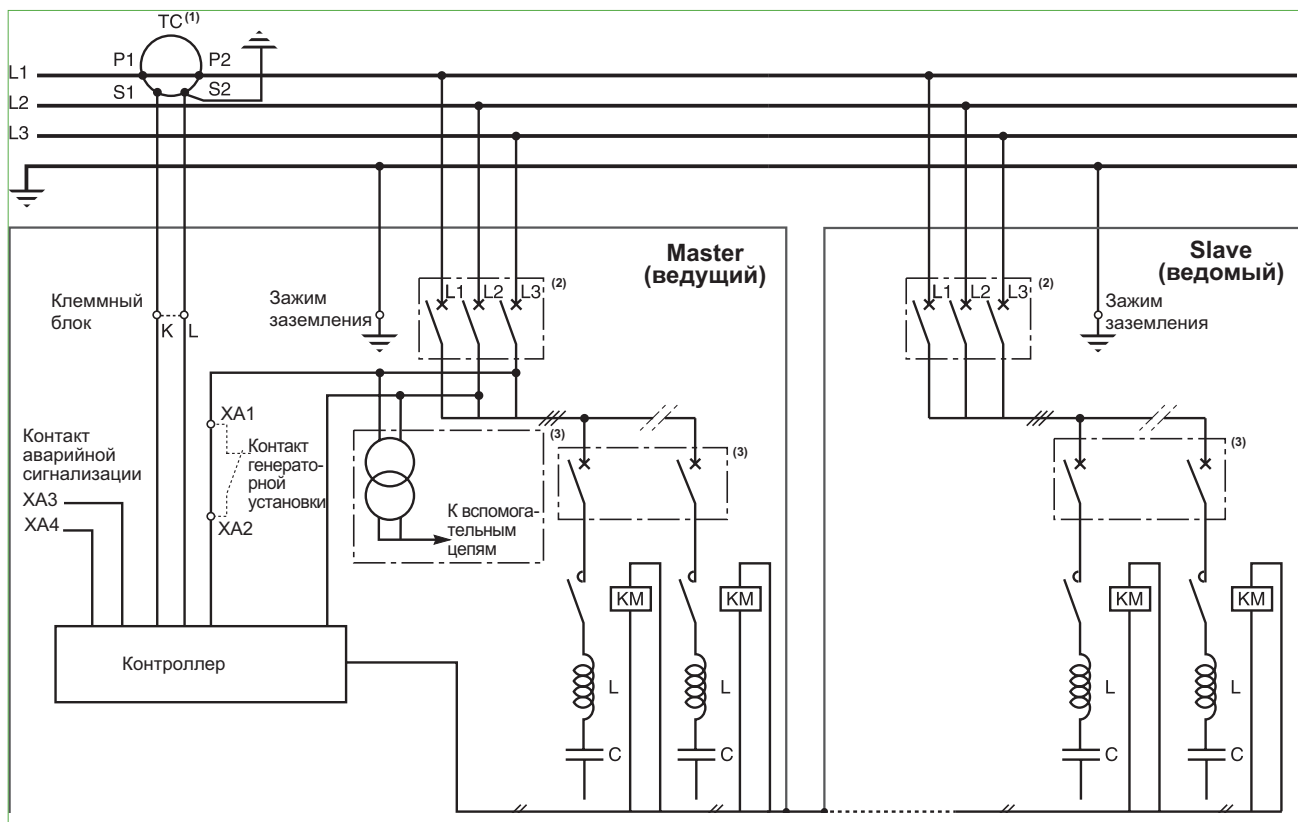


- (1) Не поставляется Schneider Electric.
- (2) Для установок с вводным автоматическим выключателем.
- (3) По запросу предохранители могут быть заменены автоматическими выключателями.



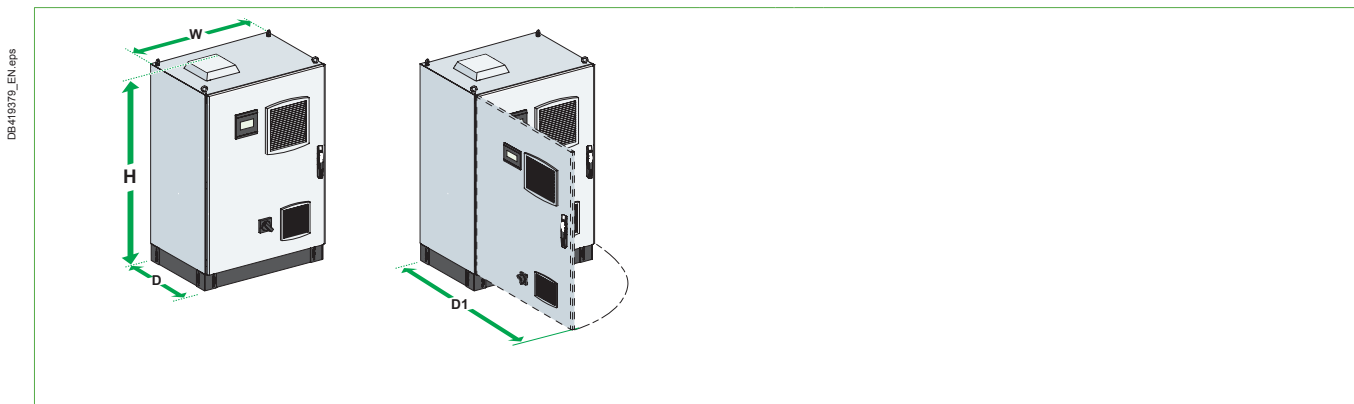
Схемы подключений
VLVAF8P

D6418505 RU 4/15

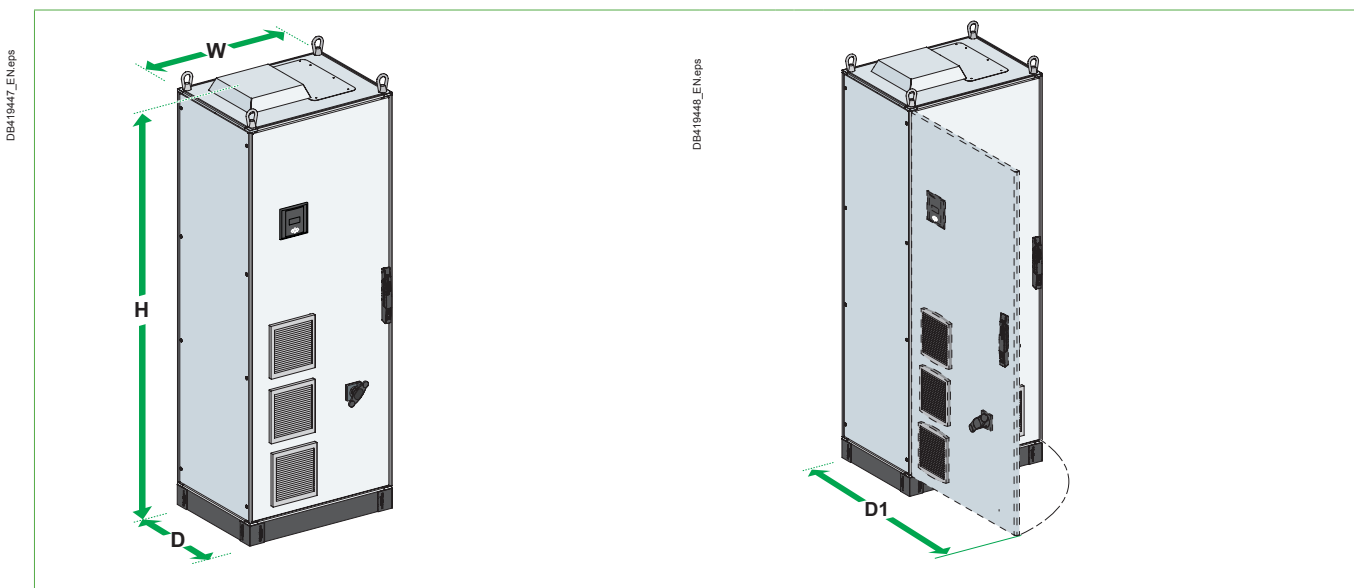


- (1) Не поставляется Schneider Electric.
- (2) Для установок с вводным автоматическим выключателем.
- (3) По запросу предохранители могут быть заменены автоматическими выключателями.

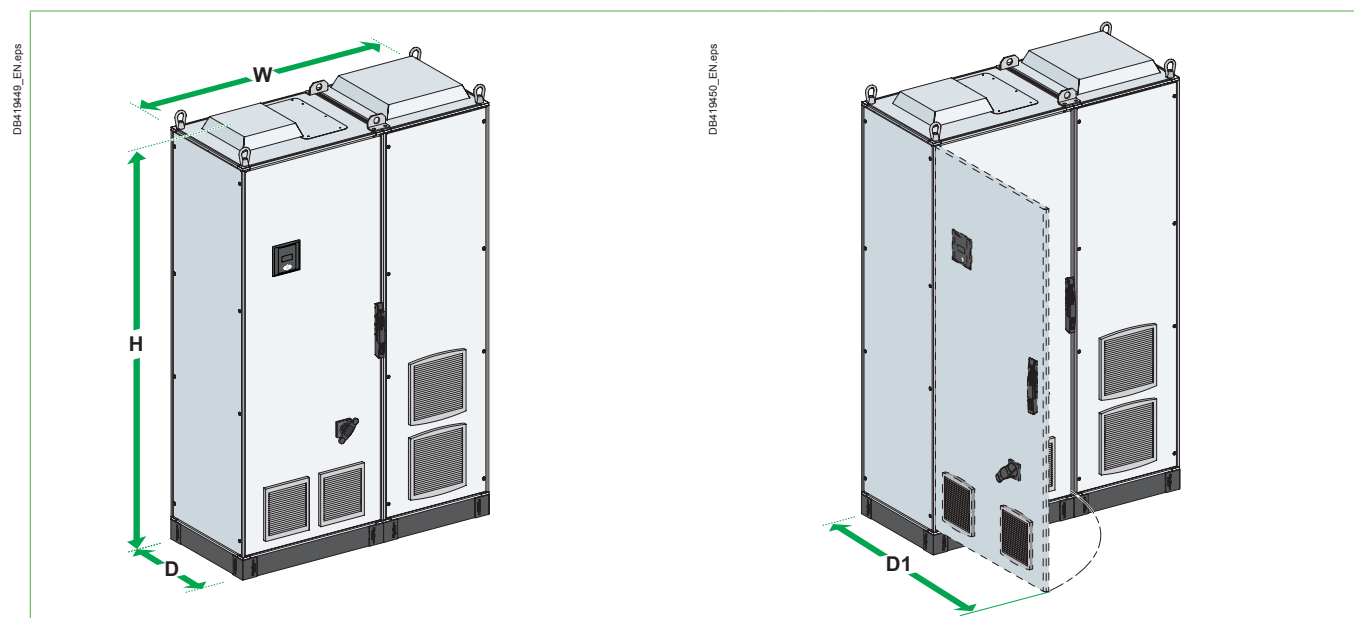
Шкафы VLVAF2P и VLVFF2P



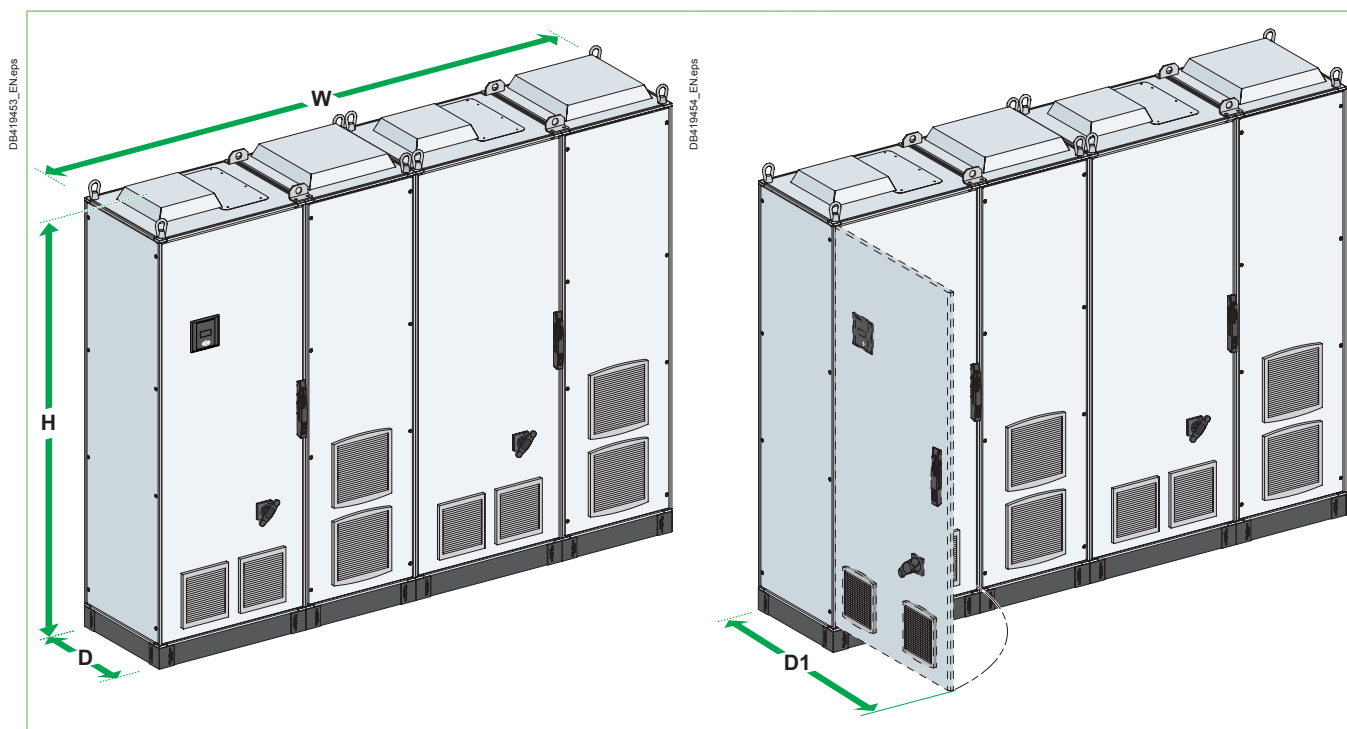
Шкафы VLVAF3P и VLVAF5P



Шкаф VLVAF6P



Шкаф VLVAF8P

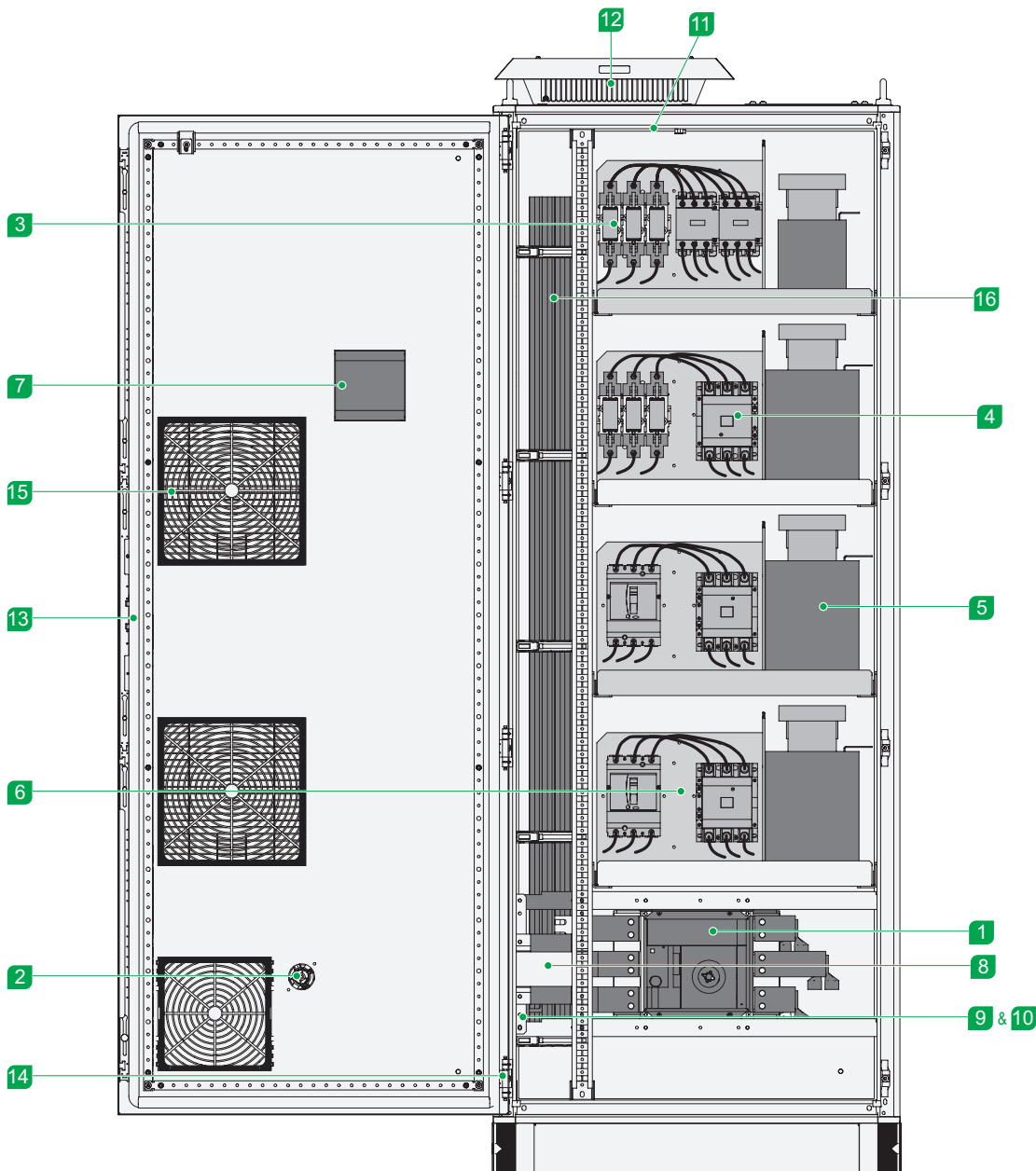


Размеры (мм) и максимальная масса (кг)

Тип	Шкафы					
	VLVFF2P	VLVAF2P	VLVAF3P	VLVAF5P	VLVAF6P	VLVAF8P
H	1400	1400	2000	2200	2200	2200
W	800	800	800	800	1400	2800
D	600	600	600	600	600	600
D1	1361	1361	1361	1361	1361	1361
Weight	320	350	400	450	952	1904

Типовая архитектура

DB419499_RU.rps



- | | | | |
|---|--|----|---|
| 1 | Вводной силовой автоматический выключатель | 9 | Автоматический выключатель вспомогательной цепи |
| 2 | Поворотная рукоятка | 10 | Клемный блок вспомогательной цепи |
| 3 | Автоматические выключатели модуля KPM | 11 | Термостаты |
| 4 | Контакты | 12 | Вентилятор |
| 5 | Защитные реакторы (антирезонансные дроссели) | 13 | Замок |
| 6 | Конденсаторы | 14 | Клемма заземления |
| 7 | Контроллер Varlogic | 15 | Вентиляционная решетка |
| 8 | Трансформатор вспомогательной цепи | 16 | Linergy |



Требования к помещению для монтажа

Общие характеристики

- Температура:
 - максимальная: 45 °C
 - среднесуточная: 35°C
 - минимальная: -5 °C.
- Вентиляция: устанавливайте оборудование в хорошо вентилируемых помещениях.
- Загрязнение:
 - степень загрязнения 2 (согласно МЭК 61010-1).
 - Относительная влажность воздуха: ≤ 95 %.
 - Высота над уровнем моря: ≤ 2000 м.

⚠ ⚠ ОПАСНО ДЛЯ ЖИЗНИ!

ОПАСНОСТЬ ПОРАЖЕНИЯ ЭЛЕКТРИЧЕСКИМ ТОКОМ, ВОЗНИКНОВЕНИЯ ДУГИ ИЛИ ВЗРЫВА

- Запрещается устанавливать оборудование в грязных или пыльных помещениях независимо от состава пыли и грязи.
- Запрещается устанавливать оборудование в местах возможных протечек жидкости (рядом с трубопроводами и т.п.).
- Запрещается устанавливать оборудование во взрывоопасных зонах (классифицированных АТЕХ).

Несоблюдение указанных требований может привести к серьезным травмам вплоть до летального исхода.

⚠ ВНИМАНИЕ!

ОПАСНОСТЬ ПЕРЕГРЕВА ОБОРУДОВАНИЯ

Запрещается устанавливать оборудование на обогреваемые поверхности (электрические или водяные тёплые полы).

Несоблюдение указанных требований может привести к серьезным травмам вплоть до летального исхода или к повреждению оборудования.

Ограничения по использованию

- Только для внутренней установки.
- Питание:
 - отклонение сетевого напряжения: от -10 % до +10 % номинального значения;
 - кратковременные коммутационные перенапряжения в сети: категория установки III (согласно МЭК 61010-1);
 - гармонические искажения синусоидальности напряжения:
 - 4 % < THDu ≤ 7 %
 - или
 - 25 % < Gh/Sn ≤ 50 %.

Чистота помещения

- Место установки оборудования необходимо содержать в чистоте.
- Конденсаторная установка очень чувствительна к пыли, поэтому рекомендуется обработать полы антипылевым покрытием, чтобы уменьшить оседание пыли на изделие.

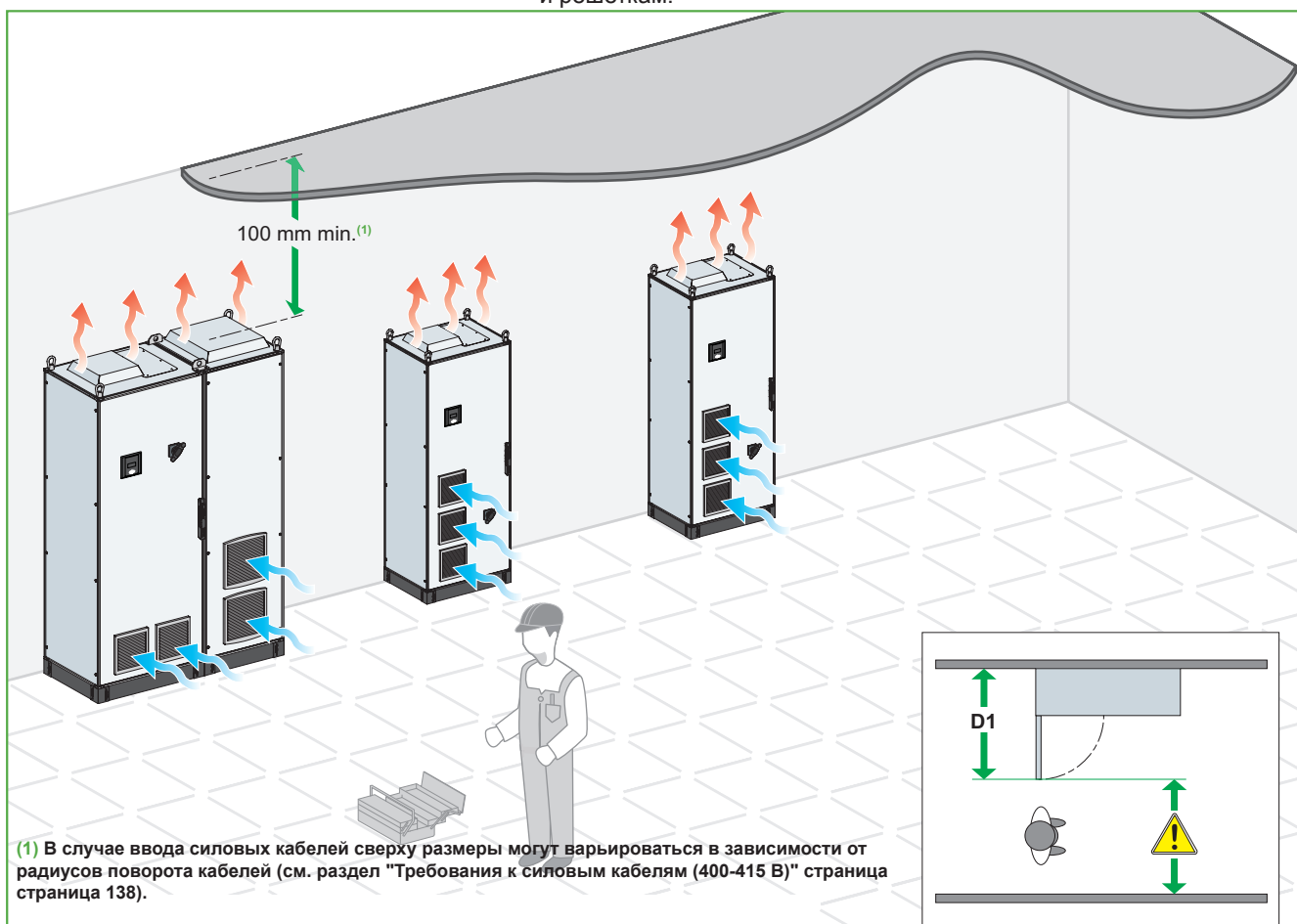
Прочие требования

Проконсультируйтесь в компании Schneider Electric, если оборудование нужно установить в месте, которое не соответствует настоящим требованиям.

Требования к свободному пространству вокруг изделия

Следует обеспечить:

- достаточную вентиляцию оборудования;
- удобство ввода силовых и слаботочных кабелей;
- будущее расширение оборудования;
- удобство выполнения технического обслуживания;
- свободное открывание дверей;
- беспрепятственный доступ воздуха к вентиляционным отверстиям и решеткам.



⚠ ВНИМАНИЕ!

ОПАСНОСТЬ ПЕРЕГРЕВА ОБОРУДОВАНИЯ

- Обеспечьте указанное выше минимально допустимое свободное пространство рядом с вентиляционными отверстиями.
- Расстояние между расположенными напротив друг друга вытяжными вентиляционными отверстиями должно быть не менее 200 мм.
- Запрещается размещать источники тепла перед приточными вентиляционными отверстиями.

Несоблюдение указанных требований может привести к серьёзным травмам вплоть до летального исхода или к повреждению оборудования.

⚠ ВНИМАНИЕ!

НЕ ЗАГРОМОЖДАЙТЕ ПУТИ ЭВАКУАЦИИ

Обеспечьте безопасные расстояния на путях эвакуации в соответствии с требованиями нормативных документов.

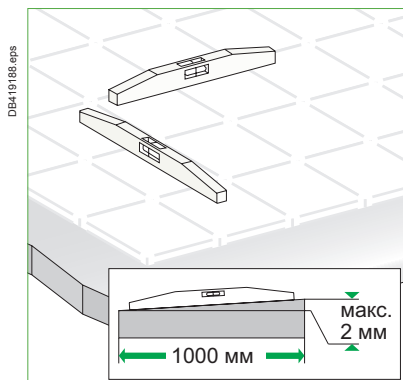
Несоблюдение указанных требований может привести к серьёзным травмам вплоть до летального исхода или к повреждению оборудования.

Требования к стенам

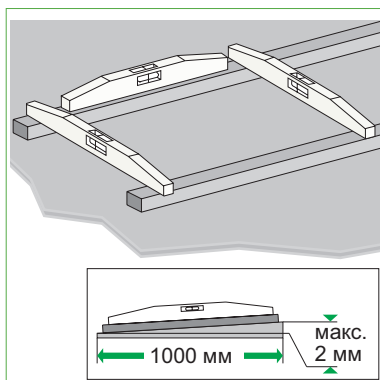
Полы должны быть ровными, их допустимая плоскостность: ± 2 мм/м. Если это не так, то устанавливайте изделие на опоры U-, T- или I-образного сечения, выровненные по уровню в горизонтальной и вертикальной плоскостях.

Подготовка поверхностей перед установкой УКРМ

Пол должен быть ровным и горизонтальным

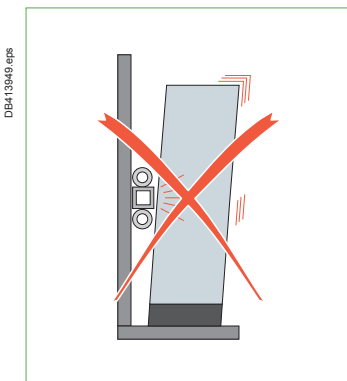


Проверка по уровню.



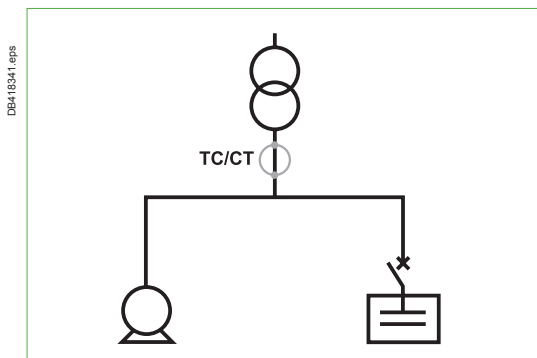
Проверка по уровню.

Стены должны быть ровными и вертикальными



Проверка по уровню.

Между стеной и изделием не должно находиться ничего, что могло бы оказывать на него давление сзади.



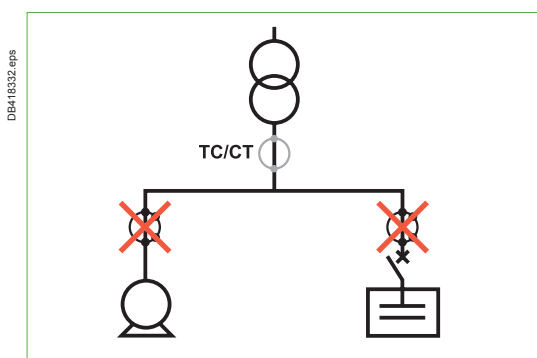
Устройство защиты на вводе изделия.

Устройство защиты со стороны источника питания

На вводе конденсаторной установки следует установить автоматический выключатель.

Данное устройство защиты позволяет:

- обесточить конденсаторную установку;
 - изолировать конденсаторную установку от главного распределительного щита;
 - отключить конденсаторную установку в случае перегрева.
- Термореле конденсаторной установки подключается к независимому расцепителю автоматического выключателя.



Местоположение трансформатора тока в силовой цепи.

Измерение тока для автоматической коррекции коэффициента мощности

Требуемые характеристики трансформатора тока

- Убедитесь, что выходной сигнал 1А или 5А (предпочтительный вариант 5А).
- Номинальная мощность: более 10 ВА.
- Класс ТТ: с1.

Местоположение трансформатора тока

- Трансформатор тока подключается к общей линии питания конденсаторной установки и потребителя (электродвигателя и т.п.), см. схему слева.

Запрещается разветвлять вторичную цепь трансформатора тока

Трансформатор тока предназначен для использования исключительно с конденсаторной установкой.

- В противном случае контроллер будет получать некорректную информацию.
- Возможно ухудшение эффективности компенсации реактивной мощности.

Заземление вторичных обмоток трансформатора

Вторичные обмотки трансформатора должны быть заземлены. Для правильного подключения обратитесь к инструкции производителя трансформатора тока.

Требования к кабелям, устанавливаемым заказчиком

Требования к силовым кабелям (400-415 В)

Рекомендованный тип кабеля: 1000 В, 105 °С.

Сечение кабеля должно быть рассчитано на ток в полтора раза выше номинального тока установки.

Сечения кабелей, представленные в таблицах ниже, даны исключительно в ознакомительных целях.

Они не учитывают:

- длину используемых кабелей;
- способ прокладки: кабельный лоток или канал;
- температуру окружающей среды.

▲ ВНИМАНИЕ!

ОПАСНОСТЬ КОРОТКОГО ЗАМЫКАНИЯ И ПОВРЕЖДЕНИЯ ИЗОЛЯЦИИ

Сечение кабеля должно соответствовать стандартам МЭК 60439-1 и МЭК 61921.

Несоблюдение указанных требований может привести к серьезным травмам вплоть до летального исхода или к повреждению оборудования.

Рекомендованное сечение силовых кабелей

Частота Гц	Коэфф. расстройки дресселя	Мощность кВАр	Номинальный ток In А	Минимальные допустимые пределы		Минимальные допустимые пределы			
				кол-во кабелей	мм ²	кол-во кабелей	мм ²	кол-во кабелей	мм ²
Шкафы									
50	4.2	50	108	1	35	1	120 (*)	2	120
		75	162	1	70				
		87.5	189	1	95				
		100	216	1	95				
		125	270	1	120				
		137.5	298.5	1	185	2	240	2	240
		150	325.5	1	185				
		175	379.5	1	240				
		200	433.5	2	150				
		225	487.5	2	150				
		250	541.5	2	185				
		275	595.5	2	185				
		300	649.5	2	240	3	185	3	185
		350	757.5	2	240				
		400	865.5	3	185				
		450	975	3	185	3	240	3	240
		500	1083	3	185				
		550	1191	3	240				
		600	1299	3	240				
		700							
800									500kvar + 200kvar
900									500kvar + 300kvar
1000									500kvar + 400kvar
1100									500kvar + 500kvar
1150									500kvar + 600kvar

Требования к кабелям, устанавливаемым заказчиком

Рекомендованное сечение силовых кабелей

Частота Гц	Коэфф. расстройки дресселя	Мощность кВАр	Номинальный ток In А	Минимальные допустимые пределы		Минимальные допустимые пределы					
				кол-во кабелей	мм ²	кол-во кабелей	мм ²	кол-во кабелей	мм ²		
Шкафы											
50	3.8	50	108	1	35	1	120 (*)	2	120		
		75	162	1	70						
		87.5	189	1	95						
		100	216	1	95						
		125	270	1	150						
		137.5	298.5	1	185	2	240	2	240		
		150	325.5	1	185						
		175	379.5	1	240						
		200	433.5	2	150						
		225	487.5	2	150						
		250	541.5	2	185	3	185	3	185		
		275	595.5	2	185						
		300	649.5	2	240						
		350	757.5	2	240						
		400	865.5	3	185						
		450	975	3	185	3	240	3	240		
		500	1083	3	185						
		550	1191	3	240						
		600	1299	3	240						
		700	500kvar + 200kvar								
		800	500kvar + 300kvar								
900	500kvar + 400kvar										
1000	500kvar + 500kvar										
1100	500kvar + 600kvar										
1150	500kvar + 600kvar										
50	2.7	50	108	1	35	1	120 (*)	2	120		
		75	162	1	70						
		87.5	189	1	95						
		100	216	1	95						
		125	270	1	150						
		137.5	298.5	1	185	2	240	2	240		
		150	325.5	1	185						
		175	379.5	1	240						
		200	433.5	2	150						
		225	487.5	2	150						
		250	541.5	2	185	3	185	3	185		
		275	595.5	2	185						
		300	649.5	2	240						
		350	757.5	2	240						
		400	865.5	3	185						
		450	975	3	185	3	240	3	240		
		500	1083	3	185						
550	1191	3	240								
600	1299	3	240								

(1) According to the connection accessories used.



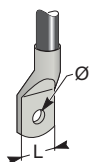
Требования к кабелям, устанавливаемым заказчиком

Рекомендованное сечение силовых кабелей

Частота Гц	Коэфф. расстройки дресселя	Мощность кВАр	Номинальный ток In А	Минимальные допустимые пределы		Минимальные допустимые пределы			
				кол-во кабелей	мм ²	кол-во кабелей	мм ²	кол-во кабелей	мм ²
Шкафы									
60	4.2	100	216	1	95	1	120 (*)	2	120
		150	325.5	1	185	2	240	2	240
		200	433.5	2	150				
		300	649.5	2	240	3	185	3	185
		400	865.5	3	185	2	240	2	240
		500	1083	3	185	3	240	3	240
		600	1299	3	240				
	3.8	100	216	1	95	1	120 (*)	2	120
		150	325.5	1	185	2	240	2	240
		200	433.5	2	150				
		300	649.5	2	240	3	185	3	185
		400	865.5	3	185	2	240	2	240
		500	1083	3	185	3	240	3	240
		600	1299	3	240				
	2.7	100	216	1	95	1	120 (*)	2	120
		150	325.5	1	185	2	240	2	240
		200	433.5	2	150				
		300	649.5	2	240	3	185	3	185
		400	865.5	3	185	2	240	2	240
		500	1083	3	185	3	240	3	240
		600	1299	3	240				

(*) Максимальные размеры с рым-болтами :

Рым-болты	L(mm)	≤25
	ø(mm)	8.5



Требования к кабелям, устанавливаемым заказчиком

Требования к проводнику защитного заземления

▲ ВНИМАНИЕ!
<p>ОПАСНОСТЬ КОРОТКОГО ЗАМЫКАНИЯ И ПОВРЕЖДЕНИЯ ИЗОЛЯЦИИ</p> <p>Сечение проводника защитного заземления должно соответствовать стандарту МЭК 60364-5-54.</p> <p>Несоблюдение указанных требований может привести к серьёзным травмам вплоть до летального исхода или к повреждению оборудования.</p>

Подключение проводника заземления:

- Одно отверстие под винт M10.

Требования к кабелям вспомогательных цепей

Рекомендованный тип кабеля: 1000 В, 105 °С.

Значения из таблицы ниже приведены только для информации.

Сечение жилы выбирается с учетом температуры окружающей среды и длины кабеля.

Устройство	Сечение мм ²	Макс. сечение мм ²	Количество зажимов	Количество присоединений к 1 зажиму (гибкий/ жесткий провод)
Трансформатор тока	2,5	4	2	1
Устройство защиты вспом. цепи (при отсутствии трансформатора вспом. цепи)	2,5	2,5	2	1
Генератор	1	2,5	2	1
Цепи контроллера	1	2,5	2	1
Цепи термореле	1	2,5	2	1
Цепи контроля cos φ	0,6	1	2	1

По поводу других значений сечения проконсультируйтесь в компании Schneider Electric.

Оборудование для подключения модуля связи

Не поставляется в комплекте с конденсаторной установкой.

- Рекомендуемый тип кабеля: экранированный трех-проводный кабель Belden 3106A AWG22.

Ответственность за риски и ущерб при перевозке несет получатель груза. Компания Schneider Electric не берет на себя никакой ответственности за пропажи или повреждения оборудования в процессе транспортировки. Укажите обнаруженные недостатки или повреждения в транспортной накладной и сообщите о них заказным письмом в компанию-транспортировщик.

Приёмка

- Проверьте соответствие полученного груза накладной и заказу: каталожный номер оборудования и количество упаковок.
- По прибытии груза в первую очередь проверьте, что заводская упаковка и транспортная тара не повреждены.

- Даже если упаковка не нарушена, распакуйте оборудование в присутствии уполномоченного представителя компании-перевозчика (см. раздел «Распаковка оборудования» ниже).

▲ ВНИМАНИЕ!

ОПАСНОСТЬ ПОВРЕЖДЕНИЯ ОБОРУДОВАНИЯ

Запрещается монтировать поврежденное оборудование.
Несоблюдение указанных требований может привести к серьезным травмам вплоть до летального исхода или к повреждению оборудования.

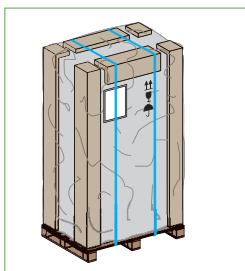
Погрузка и разгрузка

▲ ВНИМАНИЕ!

ОПАСНОСТЬ ПАДЕНИЯ ИЛИ ОПРОКИДЫВАНИЯ ОБОРУДОВАНИЯ ПРИ ПОГРУЗОЧНО-РАЗГРУЗОЧНЫХ ОПЕРАЦИЯХ

- Строго следуйте рекомендованным способам подъема (см. таблицу ниже). Не допускайте нахождения людей в опасной зоне.
 - В процессе такелажных работ принимайте во внимание положение центра тяжести перемещаемого оборудования.
 - Используйте подъемное оборудование, рассчитанное на вес и размер перемещаемого оборудования.
 - Правильно перемещайте оборудование.
 - Перемещайте оборудование со всеми необходимыми предосторожностями.
 - Придерживайте оборудование во время перемещения.
 - Не допускайте ударов, способных деформировать оборудование.
- Несоблюдение указанных требований может привести к серьезным травмам вплоть до летального исхода или к повреждению оборудования.**

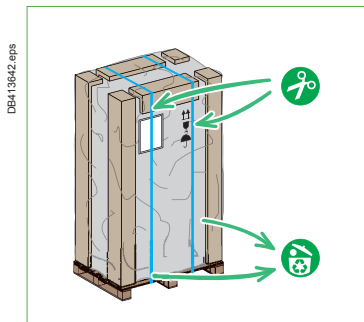
Все единицы оборудования поставляются установленными на поддонах. Для перемещения оборудования рекомендуем использовать вилочный погрузчик.



Положение центра тяжести (стандартная упаковка).

DB413665.eps





Unpacking.

- Распаковывать оборудование рекомендуется на месте монтажа.
- Снимая упаковку, будьте осторожны, чтобы не повредить оборудование инструментами.

▲ ВНИМАНИЕ!

ОПАСНОСТЬ ПАДЕНИЯ ИЛИ ОПРОКИДЫВАНИЯ ОБОРУДОВАНИЯ ПРИ РАСПАКОВКЕ

- Работайте в средствах индивидуальной защиты.
- Перемещайте оборудование со всеми необходимыми предосторожностями.
- Учитывайте положение центра тяжести, обозначенное специальным знаком.

Несоблюдение указанных требований может привести к серьёзным травмам вплоть до летального исхода или к повреждению оборудования.

- Срежьте обвязку и удалите защитную картонную коробку или пленку.

Упаковочные материалы пригодны к вторичной переработке. Разложите части упаковки в контейнеры по видам отходов. Этим Вы внесете свой вклад в защиту окружающей среды.

- Чтобы убедиться в том, что оборудование исправно и его изоляция не нарушена, тщательно осмотрите его на предмет:
 - отсутствия сломанных частей;
 - отсутствия повреждений и смещений электрических компонентов;
 - возможности открывать и запирают дверцы;
 - исправности внутренних соединений.

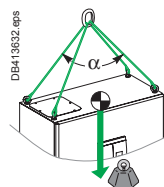
▲ ВНИМАНИЕ!

ОПАСНОСТЬ ПОВРЕЖДЕНИЯ ОБОРУДОВАНИЯ

Запрещается монтировать поврежденное оборудование.
Несоблюдение указанных требований может привести к серьёзным травмам вплоть до летального исхода или к повреждению оборудования.

- Снимите оборудование с поддона одним из указанных ниже способов.

Тип	Шкафы VLVAF5N и VLVF7N
Угол	Способ № 1 ⁽¹⁾ ⁽²⁾



(α)	Максимальная масса (кг)
45°	1160
60°	830
90°	480

(1) Соблюдайте необходимые меры предосторожности во время подъема оборудования (учитывайте положение центра тяжести, обозначенное специальным знаком).
 (2) Стropы следует заводить за все подъемные кольца, имеющиеся на оборудовании.

Хранение

ПРЕДУПРЕЖДЕНИЕ**ОПАСНОСТЬ ПОВРЕЖДЕНИЯ ОБОРУДОВАНИЯ**

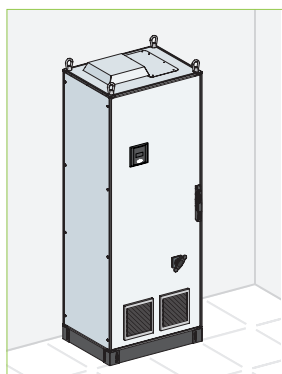
- Оборудование следует хранить в сухом, хорошо вентилируемом месте, защищённом от воздействия погодных факторов и пыли.
- Температура хранения оборудования от -20 °С до +40 °С.
- Оборудование следует хранить в помещении, даже если оно накрыто водонепроницаемым чехлом.
- Оборудование рекомендуется оставлять в упаковке до момента монтажа.

Несоблюдение указанных требований может привести к повреждению оборудования.

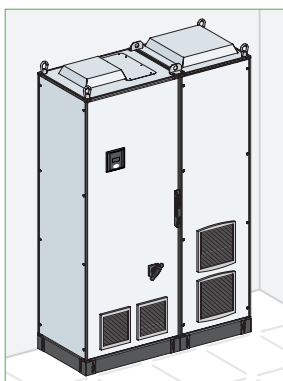
⚠ ВНИМАНИЕ!

ОПАСНОСТЬ ОПРОКИДЫВАНИЯ ШКАФА

- Закрепите шкаф в точках, показанных на схеме ниже.
 - Используйте крепёжные приспособления, соответствующие типу опоры и весу оборудования (см. раздел "Размеры и масса оборудования", страница 131).
- Несоблюдение указанных требований может привести к серьёзным травмам вплоть до летального исхода или к повреждению оборудования**



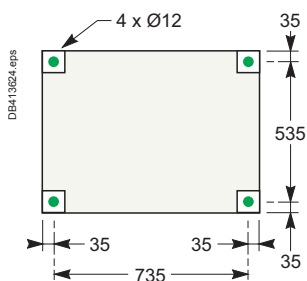
VLVFF2P, VLVA2Pz, VLVA3P, VLVA5P



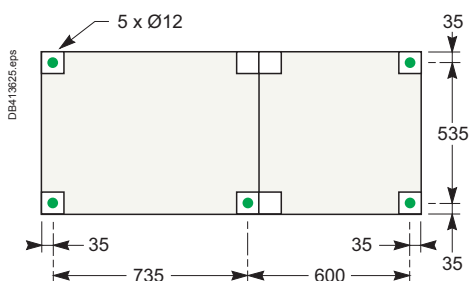
VLVA6P

Схема крепления к полу (мм)

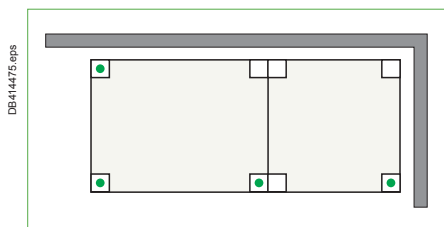
VLVAW2N и VLFW2N



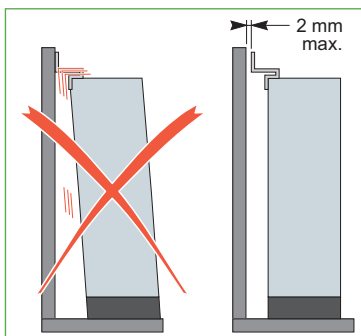
VLVA6P



Corner mounting:



Условные обозначения:
● точка крепления.



Максимальное расстояние между стеной и верхней крепёжной скобой перед фиксацией

- Расположите оборудование на выбранном месте.
- Снимите крышки с торцов основания шкафа.
- Разметьте крепёжные отверстия (см. схему выше).
- В процессе такелажных работ принимайте положение центра тяжести перемещаемого оборудования.
- Высверлите в полу отверстия диаметром 15 мм и установите в них дюбеля. Вставьте в дюбеля анкеры диаметром 12 мм.
- Поставьте оборудование на его место и затяните гайки на анкерах.

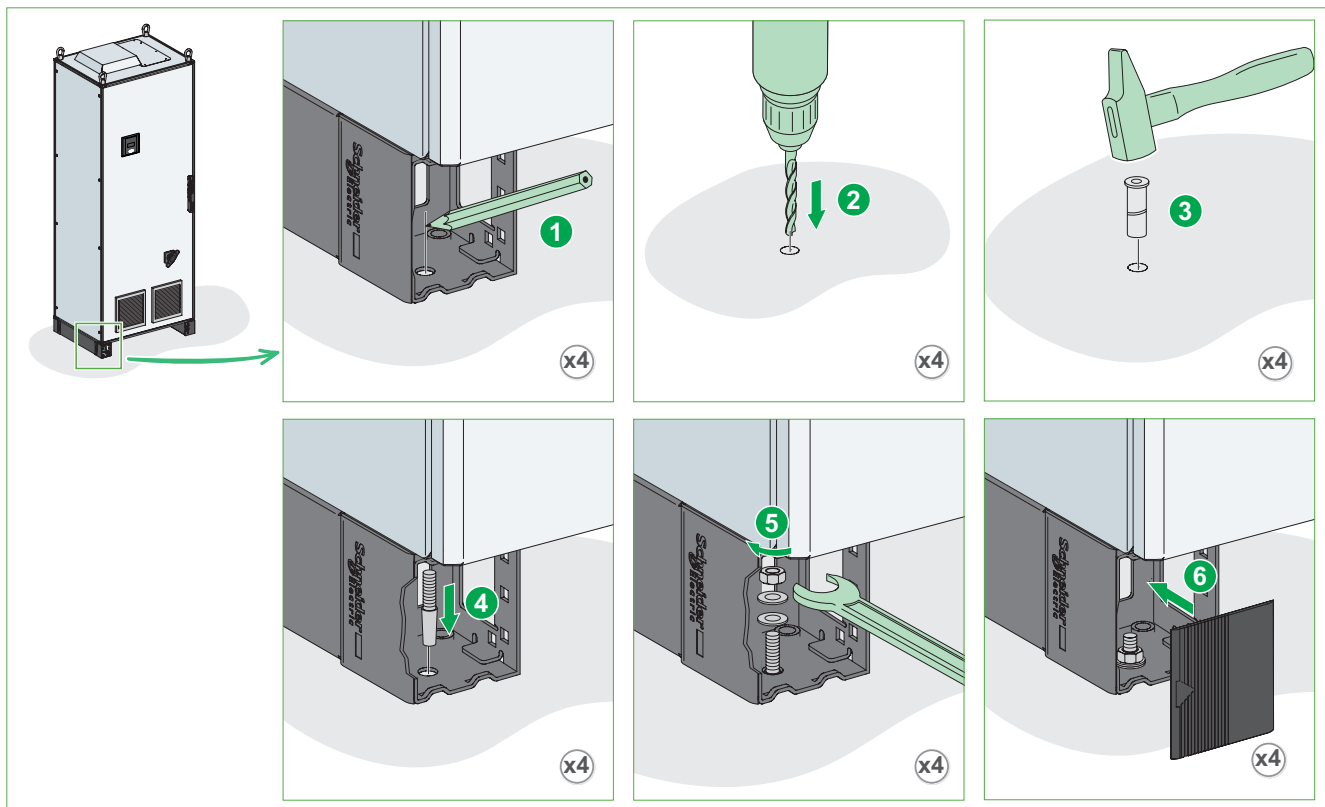
⚠ ВНИМАНИЕ!

ОПАСНОСТЬ ОПРОКИДЫВАНИЯ ШКАФА

- Зафиксируйте шкаф в указанных точках крепления.
- Используйте крепёжные приспособления, соответствующие типу опоры и весу оборудования (см. раздел «Размеры и масса оборудования»).

Несоблюдение указанных требований может привести к серьёзным травмам вплоть до летального исхода или к повреждению оборудования.

DB419504.eps



Порядок крепления шкафа к полу

Каждый шкаф должен быть независимо подключен к электрораспределительной сети так, как показано на рисунке ниже. Отведение питания от ведущего УКРМ (Master) к ведомому (Slave) строго запрещено (см. рисунок ниже). Каждый УКРМ должен быть защищен соответствующим устройством.

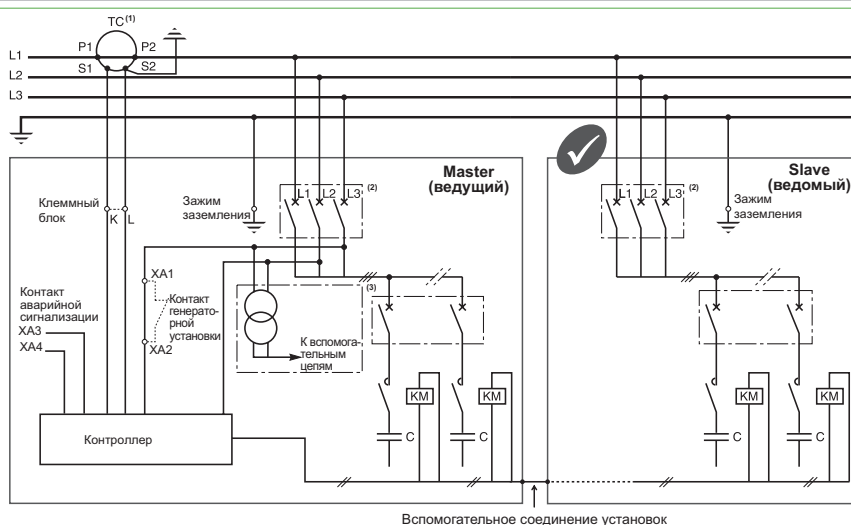
⚠ ⚠ ОПАСНО ДЛЯ ЖИЗНИ!

ОПАСНОСТЬ ПОРАЖЕНИЯ ЭЛЕКТРИЧЕСКИМ ТОКОМ, ВОЗНИКНОВЕНИЯ ДУГИ ИЛИ ВЗРЫВА

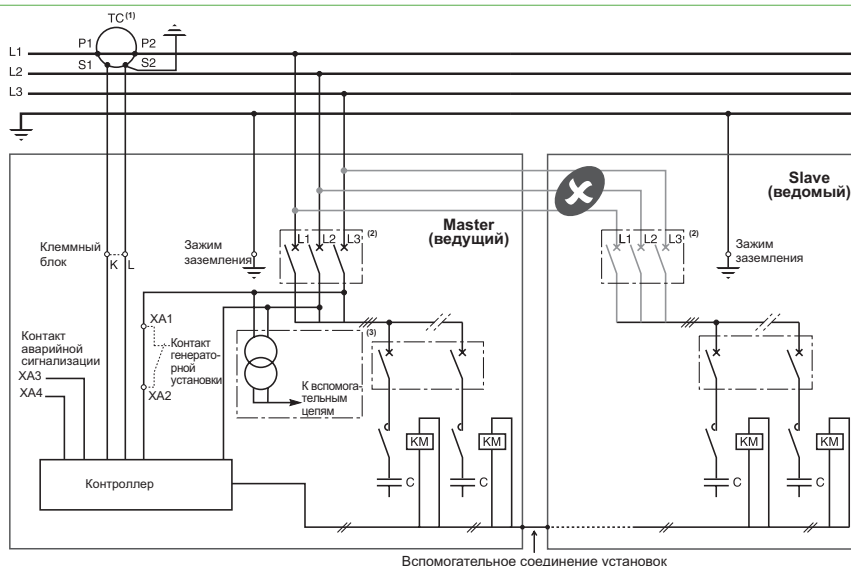
- Строго соблюдайте меры электробезопасности, работайте в средствах индивидуальной защиты. См. NFPA 70E, CSA Z462 или аналогичные национальные правила.
- К монтажу и техническому обслуживанию данного оборудования допускается только квалифицированный персонал.
- Перед выполнением любых работ как снаружи, так и внутри оборудования, отсоедините его от всех источников электропитания.
- После отключения электропитания убедитесь в отсутствии напряжения с помощью соответствующего индикатора напряжения.
- Перед производством работ выдержите не менее 5 минут для саморазрядки конденсаторов и наложите заземление на каждый проводник, соединяя их тем самым между собой и с землей.
- Перед возобновлением подачи напряжения установите на место все снятые компоненты, изолирующие перегородки и дверцы. Несоблюдение указанных требований может привести к серьезным травмам вплоть до летального исхода.

Подключение УКРМ типов VLVAF8P

Верное подключение



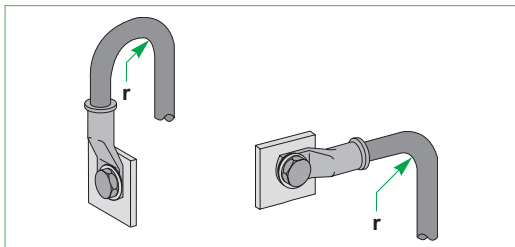
Запрещенное подключение



Прокладка кабелей

Радиус изгиба

DB413610.eps

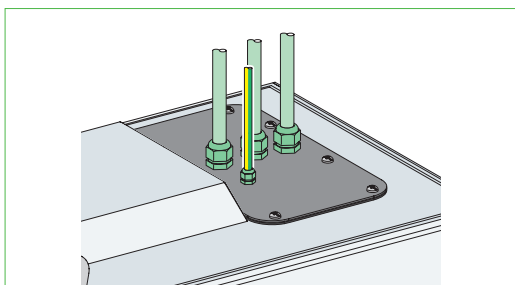


Радиус изгиба

Минимальный радиус изгиба кабеля равен 6-8 диаметрам. Уточните минимальный радиус изгиба у поставщика кабеля.

Максимальное количество силовых кабелей, пропускаемых через плату кабельного ввода

DB418609.eps



Шафы	Количество
VLVAF2P, VLVFF2P, VLVAF3P, VLVAF5P, VLVAF6P	12
VLVAF8P	12+12



Подготовка к присоединению кабелей

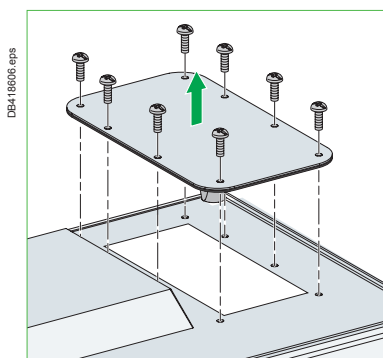
⚡ ⚠ ОПАСНО ДЛЯ ЖИЗНИ!

ОПАСНОСТЬ ПОРАЖЕНИЯ ЭЛЕКТРИЧЕСКИМ ТОКОМ, ВОЗНИКНОВЕНИЯ ДУГИ ИЛИ ВЗРЫВА

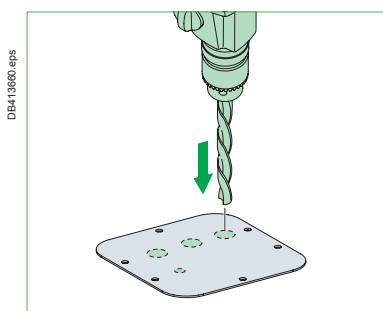
Во избежание попадания металлической стружки в изделие, запрещается просверливать отверстия поблизости от шкафа или внутри него.

Несоблюдение указанных требований может привести к серьезным травмам вплоть до летального исхода.

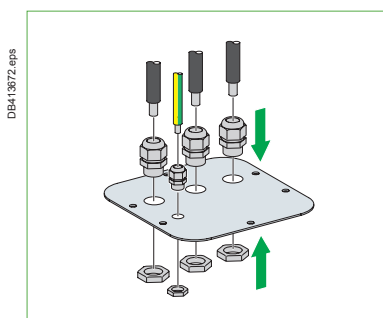
- Снимите плату кабельного ввода.



Снятие платы кабельного ввода



Просверливание отверстий в плате кабельного ввода.



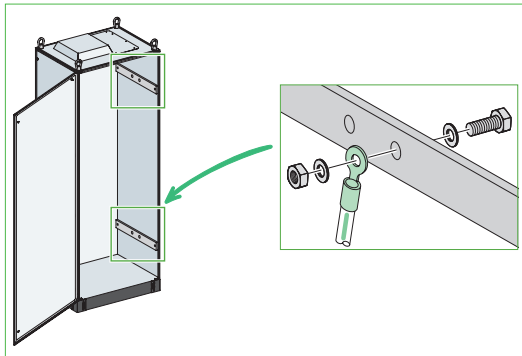
Установка сальников и ввод кабелей.

- Используя дрель или пробойник (в зависимости от диаметра) проделайте вводные отверстия для:
 - силовых кабелей;
 - двух проводов от трансформатора тока (для моделей с автоматической КРМ);
 - заземляющего проводника;
 - кабеля связи (По запросу).

- Пропустите кабели сквозь сальники на плате кабельного ввода (сальники приобретаются отдельно в соответствии со степенью защиты оборудования).

Примечание: для ввода кабелей снизу выполните аналогичную процедуру с нижней платой кабельного ввода.





Подключение к шине заземления

Подключение заземления

- Открутите защитный колпачок заземляющей клеммы.
- Соедините провод заземления подходящего сечения с заземляющей шиной шкафа (для информации по защитным кабелям см. раздел "Требования к кабелям, устанавливаемым заказчиком", страница 134).
- Контактное соединение выполняется с помощью гайки и контактных шайб с обеих сторон соединяемых элементов
- Момент затяжки соединения с шиной заземления: 75 Нм (болт M12 класса 8.8).

Подключение кабелей питания

⚡ ⚠ ОПАСНО ДЛЯ ЖИЗНИ!

ОПАСНОСТЬ ПОРАЖЕНИЯ ЭЛЕКТРИЧЕСКИМ ТОКОМ, ВОЗНИКНОВЕНИЯ ДУГИ ИЛИ ВЗРЫВА

- Сечение кабеля должно соответствовать указанному в таблице "Рекомендованное сечение силовых кабелей".
- Для уточнения типа подключения (наконечники, контактные пластины) см. Руководство по эксплуатации устанавливаемого автоматического выключателя.
- Присоединяйте кабели болтами с контактными шайбами.
- Соблюдайте указанный момент затяжки.

Несоблюдение указанных требований может привести к серьёзным травмам вплоть до летального исхода.

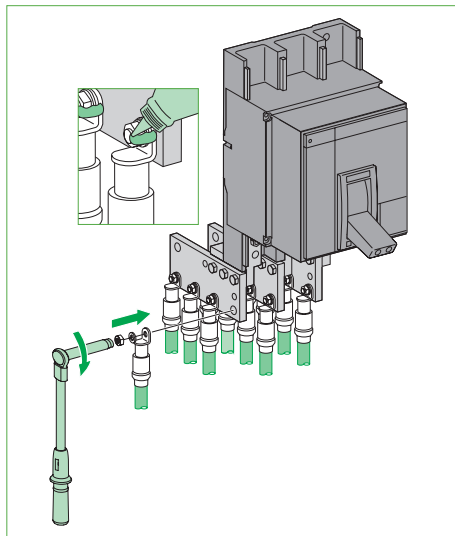
- Прикрепите винтом наконечник кабеля к контактной пластине, как показано ниже.
- При подключении силового кабеля к автоматическому выключателю следует соблюдать порядок чередования фаз.
- Затяните винты с указанным моментом затяжки (см. таблицу ниже).
- Нанесите сигнальную окраску на соединение согласно требованиям действующих правил.
- Закрепите кабели на держателях.

Тип защитного автоматического выключателя зависит от конфигурации и типа оборудования

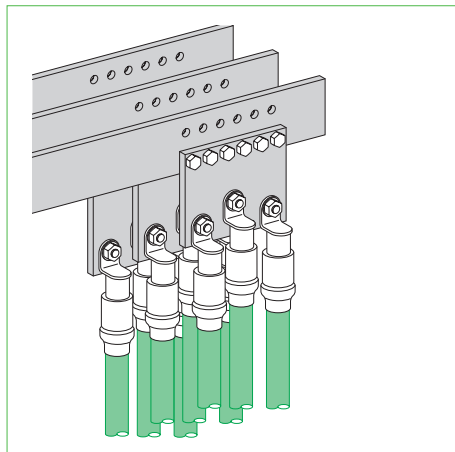
Оборудование	Устройство защиты на вводе	
Шкафы		
VLVAF8P	Master (ведущий)	NS1000 N/H
		NS1250 N/H
	Slave (ведомый)	NS630B N/H
		NS800 N/H
		NS1000 N/H
		NS1250 N/H

МОМЕНТ ЗАТЯЖКИ

Compact NS	Подключение медными проводниками
50 Нм	M10 = 50 Нм

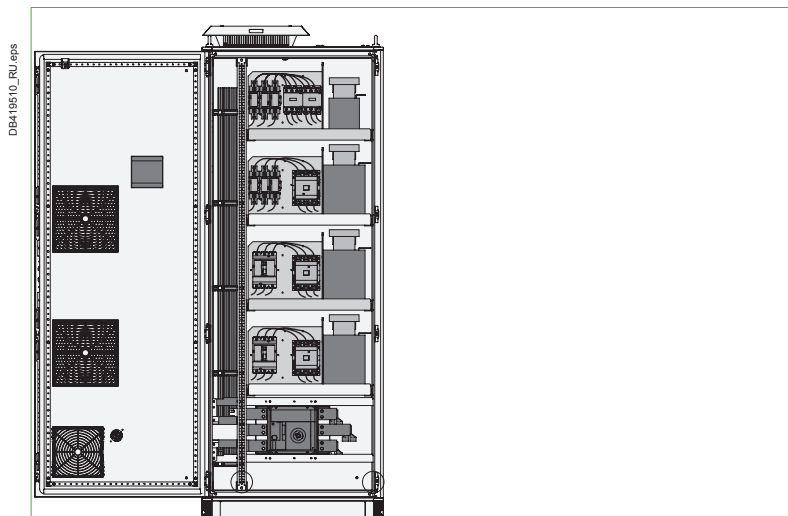


Подключение медными проводниками

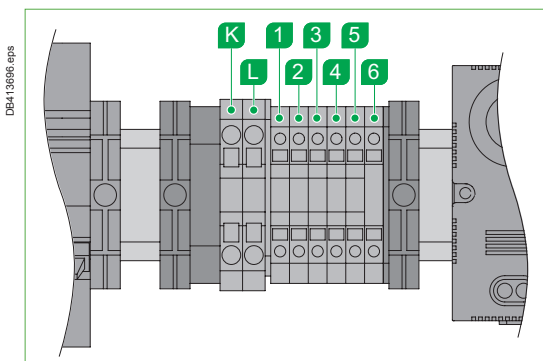


Подключение к автоматическому выключателю Compact NS630b-1600.

Соединения вспомогательных цепей



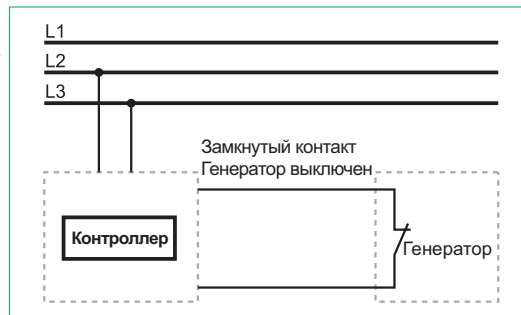
Клеммный блок вспомогательных цепей.



Выводы клеммного блока.

Оборудование	Измерение тока контроллером	Генератор	Сигнализация на контроллер	Сигнал термореле
Характеристики				
	Токовый вход 1А или 5А (5А предпочтительно) Питание 5 V AC	Токовый вход вторичной цепи 415 V, ≤ 50 mA	Выход вторичной цепи Контакт, аварийная сигнализация = замкнутый контакт 2 A / 250 V AC	Контакт аварийного срабатывания вводного автоматического выключателя 4 A / 240 V AC или 2 A / 440 V AC
Шкафы				
VLVAF2P, VLVFF2P, VLVAF3P, VLVAF5P, VLVAF6P, VLVAF8P	K L	1 2	3 4	5 6

Сведения о кабелях вспомогательных цепей см. в разделе "Требования к кабелям вспомогательных цепей", страница 141.



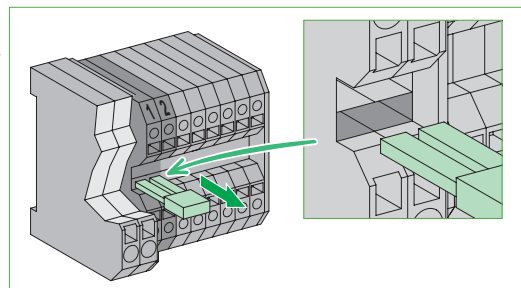
Подключение с установленным генератором

ПРЕДУПРЕЖДЕНИЕ

РИСК СНИЖЕНИЯ ЭКСПЛУАТАЦИОННЫХ ХАРАКТЕРИСТИК СИСТЕМЫ

Необходимо отключать конденсаторную установку при включенной генераторной установке.

Невыполнение данных инструкций может помешать нормальному старту генераторной установки и, как следствие, приведет к потере питания.



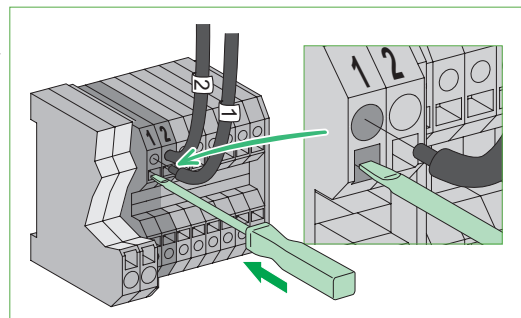
Извлечение перемычки из зажимов для подключения сигнала от генератора.

При наличии генератора присоедините сигнальные провода от генератора к зажимам 1 и 2 клеммного блока.

Характеристики

- Сухой контакт, нормально закрытый (замкнутый контакт = генераторная установка выключена)
- Технические характеристики контакта: 415 V AC, ≤ 50 mA.

Извлеките перемычку.

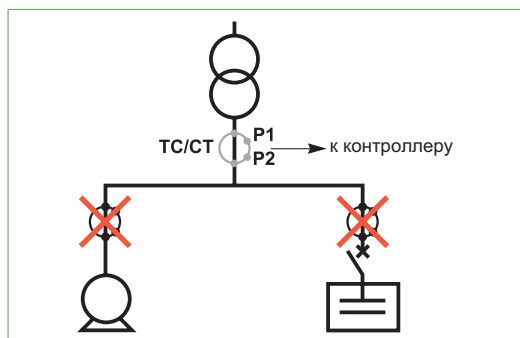


Подключение генератора.

Присоедините два провода от генератора к зажимам 1 и 2.

При запуске генератора выдается сигнал, который поступает на зажимы 1 и 2 клеммного блока. По этому сигналу конденсаторная батарея отключается и компенсация реактивной мощности прекращается.





Местоположение трансформатора тока в силовой цепи.

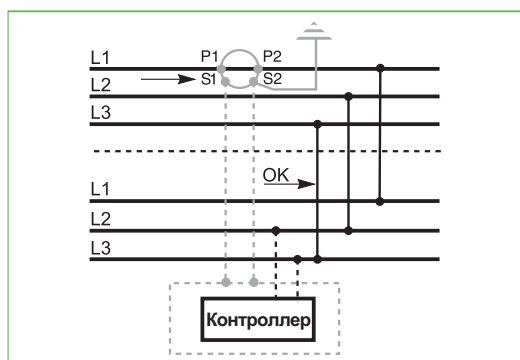


Схема подключения трансформатора тока в силовой цепи.

Только для установок с автоматической компенсацией реактивной мощности.

Место установки трансформатора тока

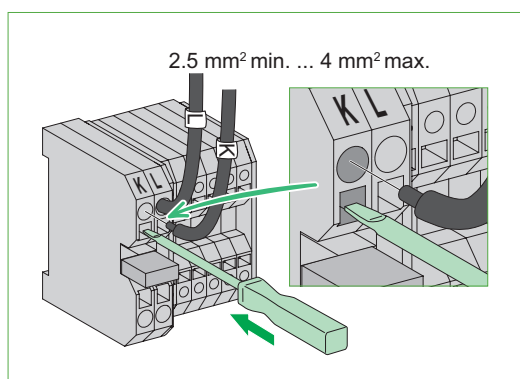
■ Трансформатор тока подключается к общей линии питания конденсаторной установки и потребителя (электродвигателя и т.п.), см. схему слева.

Подключение трансформатора тока

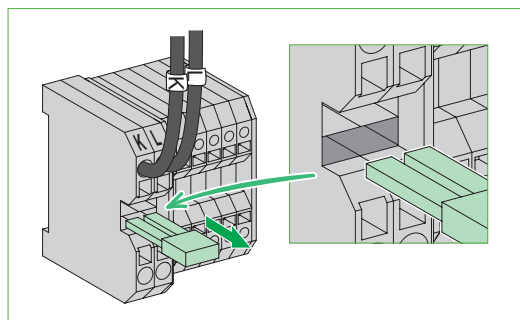
■ Подключите соответственно зажимы S1 и S2 трансформатора тока к зажимам K и L клеммного блока
Для дополнительной информации см. Руководство по эксплуатации трансформатора тока (не поставляется компанией Schneider Electric).
■ Извлеките перемычку после присоединения ТТ к клеммному блоку, см. ниже.
Если нужно выполнить какие-либо работы на вторичных цепях ТТ, то сначала установите перемычку Schneider Electric (№ по каталогу NSYTRAL42).

Трансформатор тока устанавливается на фазу 1 ("А") силовой цепи.

Вторичная обмотка трансформатора должна быть заземлена.



Подключение трансформатора тока.



Извлечение из клемм для подключения ТТ.

Подключение трансформатора тока к контроллеру

Цель: подать на контроллер сигнал от цепи измерения тока. Данная операция выполняется только для установок с автоматическим регулированием коэффициента мощности.

⚠ ⚠ ОПАСНО ДЛЯ ЖИЗНИ!

ОПАСНОСТЬ ПОРАЖЕНИЯ ЭЛЕКТРИЧЕСКИМ ТОКОМ, ВОЗНИКНОВЕНИЯ ДУГИ ИЛИ ВЗРЫВА

■ Запрещается работать на вторичных цепях трансформатора тока, если первичная цепь находится под напряжением!
■ Перед производством работ на вторичных цепях трансформатора тока их необходимо замкнуть накоротко соответствующей перемычкой Schneider Electric (№ по каталогу NSYTRAL42).
Несоблюдение указанных требований может привести к серьезным травмам вплоть до летального исхода.

Запрещается разветвлять вторичную цепь трансформатора тока!

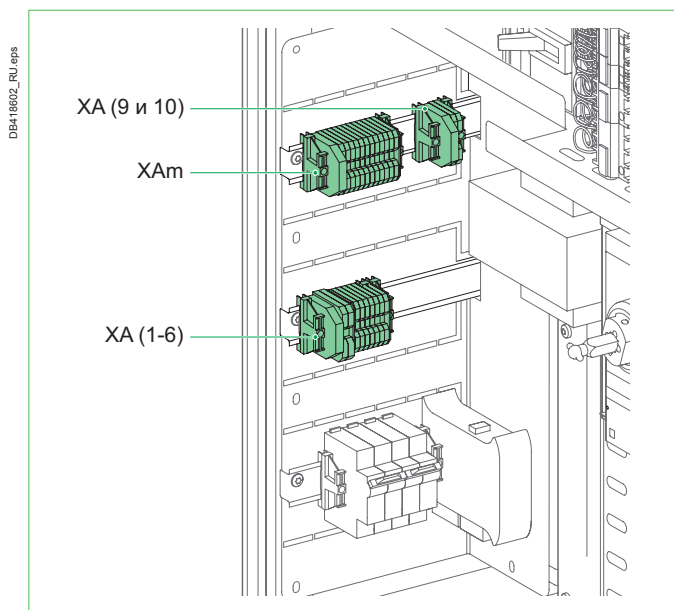
Трансформатор тока предназначен для использования исключительно с конденсаторной установкой.

■ В противном случае контроллер будет получать некорректную информацию.
■ Возможно ухудшение эффективности компенсации реактивной мощности.

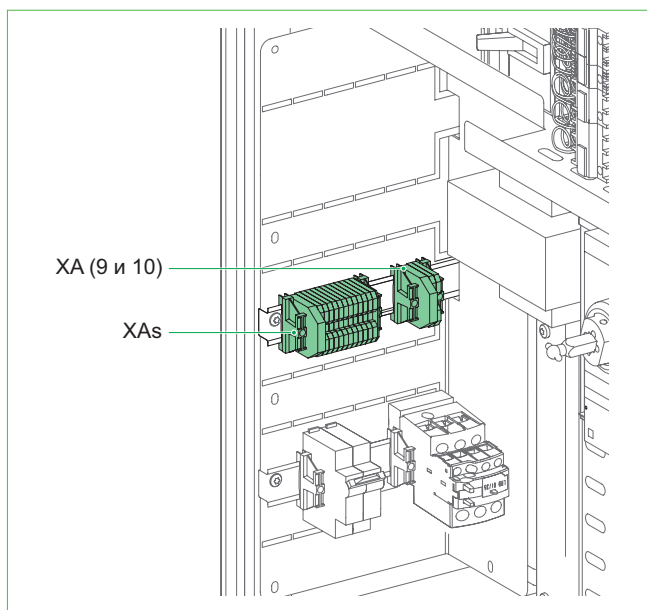
Подключение управляющих цепей оборудования из двух шкафов Master/Slave

Управляющие цепи ведомого (Slave) УКРМ (клеммный блок XAs) должны быть соединены с ведущим УКРМ (Master) (клеммный блок XAm) в соответствии со схемой подключения EAV1886000, входящей в комплект поставки.

Рекомендуемый тип кабеля (не входит в комплект поставки):
 ■ прочность изоляции 1000 В, 105 С, сечение от 1 мм² до 2,5 мм².



Ведущий УКРМ (Master)



Ведомый УКРМ (Slave)



Простой ввод в эксплуатацию контроллера VarPlus Logic

Перед настройкой контроллера, пожалуйста, убедитесь, что перемычка на клеммах KL удалена.

Перейдите в меню SETUP 100:

1. Настройка коэффициента ТТ (Ct), cos φ (CP1).
2. Если дисплей контроллера показывает PFC OFF, установите параметр PFC на ON, перед запуском Ai.
3. Запустите автоматическую инициализацию (Ai) нажатием "Ai" с "OFF" на "ON".

Ai автоматически обнаруживает подсоединенные ступени конденсатора и проверяет, правильное ли фазное соединение (угол между напряжением и позицией ТТ). В последовательности Ai ступени несколько раз включаются и выключаются. Для завершения этого процесса потребуется несколько минут, и затем произойдет стабилизация реле.

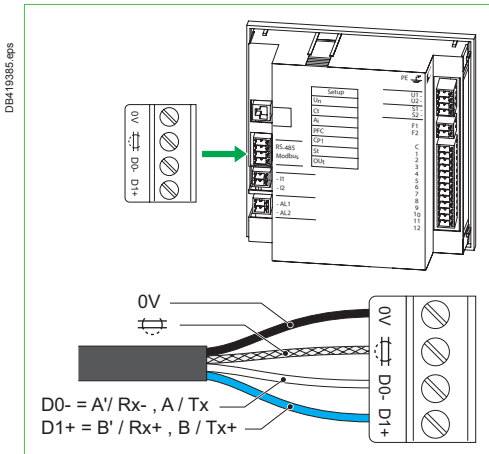
Во время этой последовательности контроллер будет отображать на дисплее "Ai".

Минимальные требования для запуска Ai	Для успешного обнаружения ступени Ai
<ul style="list-style-type: none"> ■ Напряжение должно быть в пределах допуска ■ ТТ должен быть подсоединен ■ Защита конденсатора должна быть закрыта ■ Входной ток не слишком низкий. 	<ul style="list-style-type: none"> ■ Определение параметров коэффициента ТТ должно производиться в соответствии с размерами трансформатора ■ Мощность самой малой ступени не слишком малая ■ Уровень нагрузки при запуске Ai ■ Изменение нагрузки во время последовательности Ai.

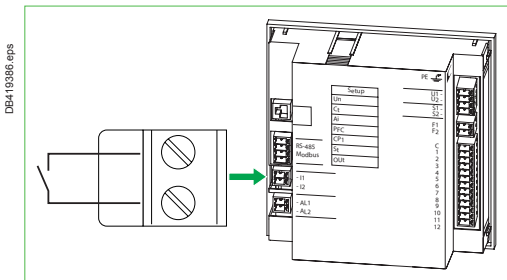
В конце "Ai" контроллер перейдет в режим "Auto".

Информация об успешной последовательности Ai	Неудачная последовательность Ai [ошибка «Abrt» (аварийное прекращение)]
<ul style="list-style-type: none"> ■ Если подключение фаз выполнено неверно, контроллер автоматически корректирует угол сдвига фаз внутренним образом и переходит в нормальный режим. На дисплее отображается "Auto". ■ Окончательная проверка обнаружения ступени: <ul style="list-style-type: none"> □ Перейдите в меню SETUP 100 -> OUT -> открыть (стрелка вправо) и проверьте, правильное ли состояние всех ступеней, согласно конфигурации батареи ККМ (FIX OFF = Ступень не обнаружена. AUTO = Ступень обнаружена) □ При необходимости, измените состояние OUT в соответствии с расчетным значением. 	<ul style="list-style-type: none"> ■ При неудачной последовательности снова запустите Ai. Если снова происходит аварийное прекращение Ai, фазное соединение (угол между напряжением и позицией ТТ) невозможно обнаружить. Управление перейдет в режим PFC off, и фазное соединение должно настраиваться вручную. См. руководство пользователя.





Conexión del módulo.



Подключение линии передачи данных: Необходимо дополнительное оборудование (не включено в комплект поставки УКРМ VarSet)

■ Рекомендуемый тип кабеля: экранированный трех-проводный кабель Belden 3106A AWG22.

Подключение к контроллеру КМ

■ Назначение контактов:

- 0 В сигнал и общий провод питания
- контакт modbus экрана (без внутреннего соединения к 0 В контакту или заземлению контроллера КМ)
- D0- приемопередающая клемма 0
- D1+ приемопередающая клемма 1.

■ Изоляция: 1,3 кВ

■ Сечение кабеля: от 0,2 до 1 мм² (30-19 AWG)

■ Рекомендуемый тип кабеля: экранированный трех-проводный кабель Belden 3106A AWG22

■ Момент затяжки: от 0,5 до 5 Нм.

См. в документации на Modbus модуль VL6/12 7EN02-0376.

Подключение контакта целевого cos φ 2

■ Характеристики:

- Ввод с собственным источником питания (5 В-10 мА) для НО или НЗ сухого контакта

□ Состояние сухого контакта может быть установлено в меню настроек контроллера КМ. Значение по умолчанию - НО

- контакт открыт: целевое значение cos φ 1

- контакт закрыт: целевое значение cos φ 2.

■ Сечение кабеля от 0,2 до 1 мм², макс. длина 100 м.

Для длины более 50 м, используйте сечение кабеля не меньше 0,6 мм².

Подключение кабеля передачи данных или второго целевого значения cos φ 2 к УКРМ

Подключение должно выполняться жгутом проводов через сальниковую панель ввода кабеля к контроллеру.

См. главу "Подготовка кабелей к подключению", стр. 134.

Кабель должен обеспечить изоляционное расстояние и путь утечки тока к оборудованию.

В зависимости от поставляемого оборудования используйте клейкий крепеж для фиксации кабеля в сальниковой панели.

Закрепите кабель к жгуту кабельной стяжкой.

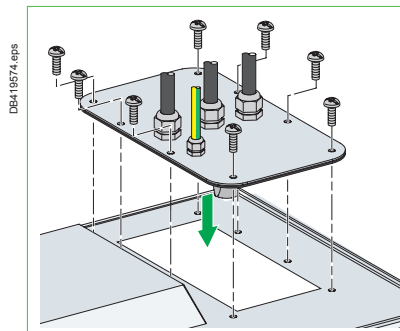
Расположите кабельные стяжки равномерно по жгуту, чтобы избежать его провисание внутри УКРМ.

Кабель не должен мешать открытию или закрытию дверцы шкафа.

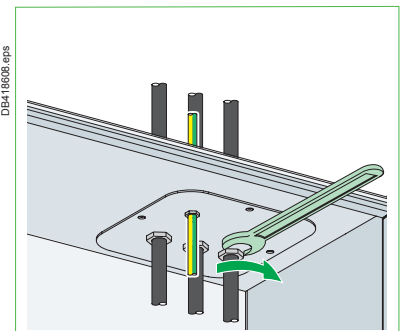
Заключительные операции после подключения

■ Установите на место платы кабельного ввода и затяните винты с моментом: $1.3^{+0.5}_0$ Нм.

■ Затяните кабельные сальники.



Установка платы кабельного ввода.



Затяжка кабельных сальников.

Предварительная проверка

ОПАСНО ДЛЯ ЖИЗНИ!

ОПАСНОСТЬ ПОРАЖЕНИЯ ЭЛЕКТРИЧЕСКИМ ТОКОМ, ВОЗНИКНОВЕНИЯ ДУГИ ИЛИ ВЗРЫВА

- Все работы должны выполняться квалифицированным персоналом, имеющим соответствующий уровень допуска.
 - Оборудование должно быть обесточено перед очисткой.
- Несоблюдение указанных требований может привести к серьезным травмам вплоть до летального исхода.**

Чистка

Перед вводом в эксплуатацию удалите из установки всю пыль и грязь. Это поможет избежать появления токов утечки и гарантирует соблюдение указанного безопасного расстояния. Тщательным образом проверьте фильтры, вентиляционные решетки, шины и их держатели, а также все электрические соединения.

Очистите зону вокруг оборудования от пыли и мелких частиц мусора.

- Для удаления пыли используйте пылесос.
- Запрещается продувать оборудование сжатым воздухом, поскольку пыль может осесть в другом месте.
- Используйте сухую ветошь.

Проверки

- Проверьте, что внутри установки отсутствуют посторонние предметы (инструменты и т.п.).
- Проверьте состояние силовых кабелей питания внутри и снаружи установки.
- Проверьте состояние проводников защитного заземления и их подключение.
- Проверьте моменты затяжки резьбовых соединений.
- Проверьте, как установлен трансформатор тока: его положение на фазном проводнике (фаза "А"), механическое крепление и электрические соединения.
- Проверьте конфигурацию сети связи: подключения резисторов оконечной нагрузки и защитного смещения.
- Убедитесь, что напряжение сети соответствует номинальному напряжению оборудования.

Подача напряжения

⚡ ⚠ ОПАСНО ДЛЯ ЖИЗНИ!**ОПАСНОСТЬ ПОРАЖЕНИЯ ЭЛЕКТРИЧЕСКИМ ТОКОМ,
ВОЗНИКНОВЕНИЯ ДУГИ ИЛИ ВЗРЫВА**

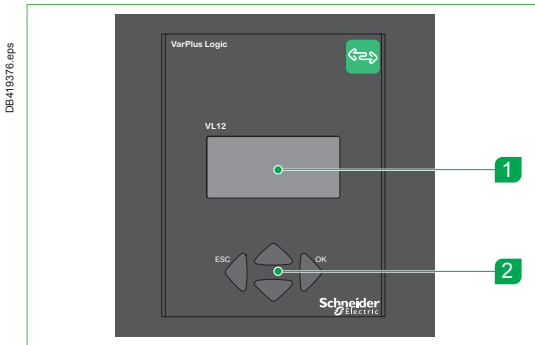
- Все работы должны выполняться квалифицированными специалистами-электриками, имеющими соответствующий допуск.
- Перед выполнением работ на оборудовании следует выждать не менее 50 с после отключения питания (время, необходимое для разрядки конденсаторов).
- Контроллер – это не устройство безопасности, он не может быть использован для проверки отсутствия напряжения.
- Конденсаторная установка должна быть обесточена перед выполнением на ней любых работ.

Несоблюдение указанных требований может привести к серьёзным травмам вплоть до летального исхода.

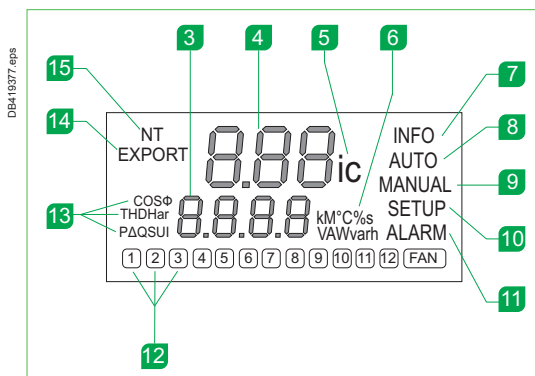
Контроль во время работы

- Перед проведением любых операций на установке убедитесь, что она обесточена. Не используйте контроллер для определения отсутствия напряжения.
- Проверяйте, не выдаёт ли контроллер нежелательные команды.
- В меню настроек контроллера задайте максимальное количество команд на переключение, которые он может выдать за определенный период времени.
- При работе на полную нагрузку проверьте правильность работы функции ступенчатого регулирования.
- Измерьте температуру в помещении после нескольких первых часов работы.

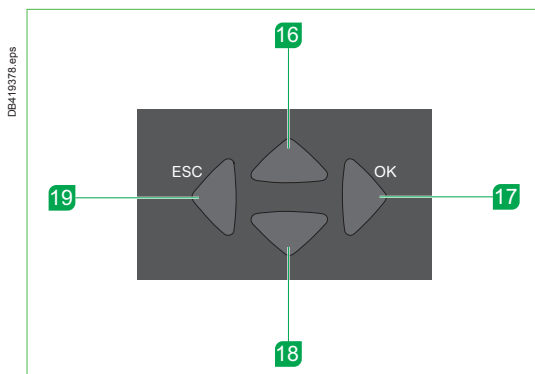




Внешний вид контроллера NRC12



Дисплей



Клавиши навигации



Подробная информации по контроллеру изложена в прилагаемом к нему Руководстве по эксплуатации.

⚠ ⚠ ОПАСНО ДЛЯ ЖИЗНИ!

ОПАСНОСТЬ ПОРАЖЕНИЯ ЭЛЕКТРИЧЕСКИМ ТОКОМ, ВОЗНИКНОВЕНИЯ ДУГИ ИЛИ ВЗРЫВА

Запрещено устанавливать время включения ступени менее 50 с. Несоблюдение указанного требования может привести к серьезным травмам вплоть до летального исхода.

ПРЕДУПРЕЖДЕНИЕ

РИСК УХУДШЕНИЯ РАБОТЫ ОБОРУДОВАНИЯ

По умолчанию контроллер настроен на нормальную или оптимальную программу включения ступеней. Пользователь несет ответственность при внесении любых изменений в программу настройки контроллера.

Любые изменения заводских параметров могут привести к снижению эффективности работы оборудования или его полного выхода из строя.

Несмотря на то, что контроллер, установленный в Вашей УКРМ VarSet, был преднастроен на заводе-изготовителе, необходимо ввести дополнительные настройки во время ввода в эксплуатацию:

- Целевое значение $\cos \phi$
- Коэффициент трансформатора тока (для корректного отображения измеренных значений).

Примечание: подробная информации по контроллеру изложена в прилагаемом к нему Руководстве по эксплуатации.

Важная информация

- При подключении к контроллеру суммирующего ТТ (в установке с несколькими трансформаторами на вводах) следует учесть суммарный коэффициент трансформации различных измерительных ТТ.
- Если подстанция укомплектована генератором, то при включении генератора следует отключить конденсаторную установку, отключив питание контроллера.

- | | |
|--|---|
| <ul style="list-style-type: none"> 1 Дисплей 2 Клавиши навигации 3 Цифровой дисплей для измерения 4 Коэффициент мощности ($\cos \phi$) 5 Индуктивный или емкостной коэффициент мощности ($\cos \phi$) (задержка или опережение) 6 Единицы измерения 7 Информация о ступени 8 Указывает на автоматический режим 9 Указывает на ручную операцию режима ступеней 10 Указывает на режим меню настройки | <ul style="list-style-type: none"> 11 Мигание указывает, что активирован аварийный сигнал 12 Подсвечивается номер ступени при активации 13 Отображаемое измерение 14 Указывает на экспорт энергии в энергосистему 15 Указывает, что активировано вторичное заданное значение коэффициента мощности ($\cos \phi$) 16 <ul style="list-style-type: none"> ■ Увеличить значения ■ Выбрать пункты меню 17 <ul style="list-style-type: none"> ■ Открыть меню ■ Сдвинуть курсор вправо ■ Настройки 18 <ul style="list-style-type: none"> ■ Уменьшить значения ■ Выбрать пункты меню 19 <ul style="list-style-type: none"> ■ Выйти из меню ■ Сдвинуть курсор влево |
|--|---|

Работа контроллера по управлению конденсаторной установкой

Аварийные сигналы, отображаемые контроллером КМ, и возможные решения

Диагностика возникшей проблемы во время ввода в эксплуатацию может быть осуществлена с дисплея контроллера КМ

- Аварийная сигнализация (ALARM) мигает, когда появляется аварийный сигнал.
- В меню аварийной сигнализации перечислены 5 последних зарегистрированных аварийных сигналов.

Ав. сигнализация	Причина	Решение
АВ. СИГНАЛ AI/Abt	Аварийное прекращение автоинициализации.	Изменения нагрузки или слишком слабые сигналы измеренного тока могут привести к аварийному прекращению автоинициализации.
АВ. СИГНАЛ U	Измеренное напряжение за пределами допуска напряжения.	Проверить настройки для номинального напряжения и трансформатора напряжения.
АВ. СИГНАЛ I LO	Измеренный ток слишком низкий (ток ТТ < 15 мА).	Ошибка при подключении ТТ; закорачивающая перемычка ТТ не удалена; коэффициент ТТ слишком высокий по сравнению с фактическим током; нет тока.
АВ. СИГНАЛ I Hi	Измеренный ток слишком высокий.	Слишком высокая нагрузка или неверный выбор ТТ.
АВ. СИГНАЛ PFC	На контроллере невозможно получить расчетный Cos φ. Избыточная или недостаточная компенсация.	Проверить, все ли ступени правильно определены и работают. Проверить, достаточно ли определение мощности батареи ККМ по сравнению со значением кВАр, требуемым нагрузкой.
АВ. СИГНАЛ THr	Превышено пороговое значение THDU. Контроллер отключает необходимые ступени компенсации, чтобы скорректировать THDU.	Проверить установку, слишком высокое значение THD U или возможный резонанс.
АВ. СИГНАЛ Step/Flty (мигает неисправная ступень)	Одна или несколько ступеней дефектные (ступень определяется как неисправная после ее 3-х кратного подключения без любых измерений).	Проверить соединение ступеней, позицию выключателей в литом корпусе (МССВ) или предохранителей и состояние конденсаторов.
АВ. СИГНАЛ SPL/Nr	Обнаружена ступень с остаточной мощностью ниже > 75 % от начального значения.	Проверить настройки и проверить емкость конденсатора.
АВ. СИГНАЛ Thi	Превышен аварийный предел температуры.	Проверить вентиляторы и окружающую температуру.
АВ. СИГНАЛ OPH	Превышен заданный предел для макс. допустимого количества рабочих часов.	Проверить выключатели МССВ/ предохранители, контакторы и конденсаторы в ступени. Проверить значение емкости и заменить конденсаторы, если емкость упала ниже допустимого предела.
АВ. СИГНАЛ OPC/Nr	Превышен заданный предел для макс. допустимого количества рабочих циклов.	Проверить выключатели МССВ/ предохранители, контакторы и конденсаторы в батарее ККМ. Проверить значение емкости и заменить конденсаторы, если емкость упала ниже допустимого предела.
АВ. СИГНАЛ OL	Превышен предел коэффициента тока перегрузки конденсатора (на основе расчета THDU).	Проверить установку, слишком высокое значение THD U или возможный резонанс.
АВ. СИГНАЛ HU	Одна или несколько ступеней находятся в неустановившемся режиме. Номер ступени и код ошибки будут выведены на табло.	
Отклонение	Причина	Решение
Нет индикации AUTO	Реле не переключаются.	В меню SETUP/100 выбор для PFC настроен на OFF или HOLD; коэффициент ТТ не задан; температура слишком высокая; ток < 15 мА; напряжение, THD U, или коэффициент тока перегрузки за пределами допуска.
ЭКСПОРТ	Экспорт кВт.	Если нет реального экспорта кВт, проверить подключения напряжения и тока к контроллеру.
Неверная индикация Cosφ	Подключение не соответствует настройкам контроллера.	Проверить подключения напряжения и тока к контроллеру.
Частое переключение ступеней	Мощность конденсаторов не полностью определена / конденсаторы не работают.	Проверить мощность конденсатора в меню INFO.
Все ступени настроены на "Fix off"	Трансформатор тока неправильно расположен или подсоединен, закорачивающая перемычка не удалена.	Проверить соединение и позицию трансформатора тока.

Профилактическое и восстановительное обслуживание

Профилактическое обслуживание

Чтобы обеспечить бесперебойную работу оборудования, необходимо выполнять ежегодное профилактическое обслуживание.

Пожалуйста, обратитесь к руководству по обслуживанию, входящему в комплект поставки вашего УКРМ.

Обратитесь в компанию Schneider Electric за подробной информацией.

Восстановительное обслуживание

Обратитесь к представителю Schneider Electric.

Notes / Notes / Notas / Примечания





Уполномоченный поставщик в РФ

АО «Шнейдер Электрик»
127018, Россия, г. Москва,
ул. Двинцев, д.12, корп.1
Тел.: +7 (495) 777 99 90
Факс: +7 (495) 777 99 92
<http://www.schneider-electric.com>

Қазақстан Республикасында уәкіл жеткізуші

«Шнейдер Электрик» ЖШС-і
050009, Қазақстан, Алматы қ.,
Абай даңғ., 151/115, 12 қабат
Тел.: +7 (727) 397 04 00
Факс: +7 (727) 397 04 02
<http://www.schneider-electric.com>

Schneider Electric Industries SAS

35, rue Joseph Monier
CS 30323
92506 Rueil Malmaison Cedex
France

RCS Nanterre 954 503 439
Capital social 896 313 776 €
www.schneider-electric.com

As standards, specifications and designs change from time to time, please ask for confirmation of the information given in this publication.

Publication: Schneider Electric Industries SAS
Design: Schneider Electric
Photos: Schneider Electric
Printed:



This document has been printed on ecological paper.

