

Magelis XBT GH Emergency Stop Pushbutton Instruction Sheet

According to EN ISO 13849-1 and IEC 62061

04/2016

Original Document

ENGLISH

ABOUT THE DOCUMENT

This document describes the Magelis XBT GH emergency stop pushbutton with special regard to how it meets the Safety requirements of the ISO 13849-1 and IEC 62061. It provides detailed information on how to design and maintain the system correctly in order to protect human beings as well as to prevent damage to environment, equipment, and production.

The Magelis XBT GH emergency stop pushbutton is intended to be integrated in the emergency stop function of machines up to Performance Level / Safety Integrity Level Pl/SIL3.

According to EN ISO 12100, an emergency stop is a function which is intended:

- to avert arising or to reduce existing hazards to persons, damage to machinery or to work in progress
- to be initiated by a single human action

This documentation is intended for qualified personnel familiar with Functional Safety and Magelis XBT GH. Commissioning and operating the Magelis XBT GH terminal in a safety related part of a control system may only be performed by persons who are authorized to commission and operate systems in accordance with established functional safety standards.

VALIDITY NOTE

The data and illustrations found in this documentation are not binding. Schneider Electric reserves the right to modify our products in line with our policy of continuous product development. The information in this documentation is subject to change without notice and should not be construed as a commitment by Schneider Electric.

RELATED DOCUMENTS

You can download the Schneider Electric technical publications and other technical information from our WEB site at www.schneider-electric.com.

NOTE: All restrictions regarding electrical safety and external cabling and wiring must follow the documents in this table and the contents of this manual.

Reference	Designation	Origin
AAV89570	Magelis XBT GH - Quick reference guide	Schneider Electric
35010372	Magelis XBT GT, XBT GK, XBT GH - User manual	Schneider Electric
AAV89571	Magelis XBT GH - Junction box installation manual	Schneider Electric
Not released at time of printing. See www.schneider-electric.com	Safety Components for Machines - EC Type Examination Certificate	INERIS

Schneider
Electric

CONFORMITY TO EUROPEAN DIRECTIVES

Schneider Electric declares that the Magelis XBTGH emergency stop pushbutton is in conformity with the provisions of the following EC Machinery directive(s) 2006/42/EC and that standards and/or technical specifications referenced below have been applied and validated by INERIS.

STANDARDS USED

Reference	Designation
EN ISO 13850: 2006	Safety of machinery - Emergency stop - Principles for design
EN ISO 13849-1: 2008	Safety of machinery - Safety-related parts of control systems - Part 1: General principles for design
EN ISO 13849-2: 2015	Safety of machinery - Safety-related parts of control systems - Part 2: Validation
EN IEC 62061: 2005	Safety of machinery - Functional safety of safety-related electrical, electronic and programmable electronic control systems

PLEASE NOTE

Electrical equipment should be installed, operated, serviced and maintained only by qualified personnel. No responsibility is assumed by Schneider Electric for any consequences arising out of the use of this material.

PRODUCT RELATED INFORMATION

Please contact us if you have any suggestions for improvements or amendments, or if you have found any errors in this publication.

No part of this documentation may be reproduced in any form or by any means, electronic or mechanical, including photocopying, without written permission of Schneider Electric.

All pertinent state, regional, and local safety regulations must be observed when installing and using this product. For reasons of safety and to ensure compliance with documented system data, only the manufacturer should perform repairs to components.

When controllers are used for applications with technical safety requirements, please follow the relevant instructions.

Refer to:

- ISO 13849-1, "Safety of machinery - Safety-related parts of control systems - Part1: General principles for design".
- IEC 62061, "Safety of machinery - Functional safety of safety-related electrical, electronic and programmable electronic control system".

The PL and SIL requirements are based on the standards current at the time of certification.

WARNING

UNINTENDED EQUIPMENT OPERATION

- Completely understand the applications and environment defined for:
 - emergency stop function: Performance Level (PL)e within ISO 13849-1 and by Safety Integrity Level (SIL) 3 within IEC 62061
 - enabling device function: Performance Level (PL)d within ISO 13849-1 and by Safety Integrity Level (SIL) 2 within IEC 62061
- Do not exceed SIL3 ratings in the application of this product.

Failure to follow these instructions can result in death, serious injury, or equipment damage.

TERMS USED IN THIS DOCUMENT

The terms in this table apply only to the SIL3 rating when used in this document:

Safety requirements	ISO 13849-1
Safety Integrity Level	IEC 62061
Functional safety	IEC 62061
Safety function	ISO 13849-1
Safety standard	ISO 13849-1
Safety of machinery	ISO 13849-1
Safety related part of control system	ISO 13849-1
Well tried safety principles	ISO 13849-2
Safety monitoring relay (Preventa)	XPSAF5130
Fault	IEC 60204-1
Failure	IEC 60204-1
Dangerous failure	ISO 13849-1
Risk	IEC 60204-1
Emergency, emergency stop and emergency stop function	ISO 13850
Enabling control	IEC 60204-1
Enabling device	ISO 12100

EMERGENCY STOP FUNCTION

Safety requirements

The Magelis XBT GH emergency stop pushbutton is dedicated to be integrated in the emergency stop function of machines when the safe state of the emergency stop function is de-energize to trip.

The Magelis XBT GH emergency stop system is used as part of a comprehensive risk reduction strategy. Make sure the device, its installation, and associated configuration satisfy your risk assessment and associated risk reduction strategy.

When designing, installing or operating any emergency stop device, such as the Magelis XBT GH Emergency stop, you must ensure that the national and international standards and regulations that apply to your application are fulfilled. The national and international safety of machinery regulations specific to the application must be observed, for example:

- EN 12100, Safety of machinery, Basic concepts, general principles for design
- EN 60204, Safety of machinery, Electrical equipment of machines
- EN ISO 13850 Safety of machinery, Emergency stop. Principles for design
- EN ISO 13849-1, Safety of machinery, Safety related parts of control systems, General principles for design

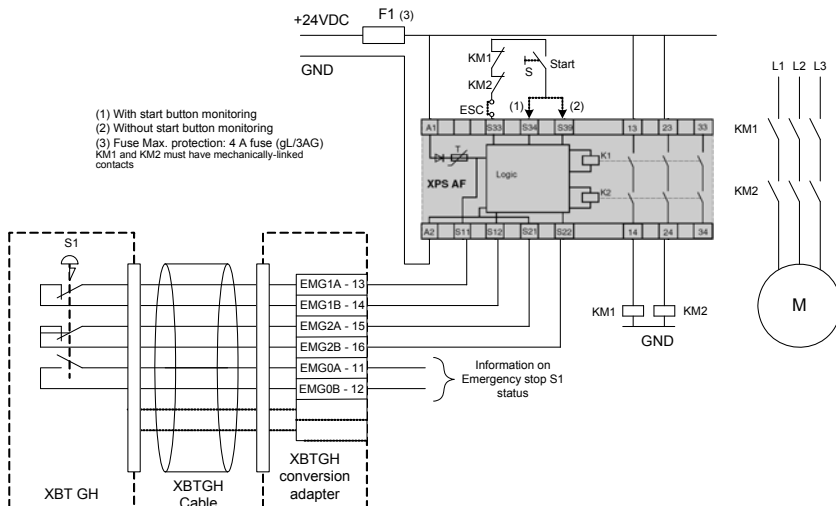
Hardware architecture design

The following diagram is an example of an emergency stop diagram of a single XBT GH. The activation of the Emergency Stop pushbutton or disconnection of the Magelis XBT GH unit sends a signal to the rest of the system to initiate stopping moving parts of the machine.

In the following example, the Monitoring device is a safety monitoring relay for monitoring emergency stop circuits: reference XPSAF5130 (Schneider Electric, Preventa range of products).

The XPSAF5130 module provides three safety related outputs of stop category 0 (EN ISO 13850, EN 60204-1).

Figure 1 Emergency Stop function category 4, PLe, SIL 3



The architecture above is based on two channels with cross monitoring.

The safety monitoring relay continuously checks the signals from contacts EMG1A/EMG1B (Channel 1) and EMG2A/EMG2B (Channel 2) of the Magelis XBT GH Emergency Stop pushbutton. As long as both circuits are closed, the safety monitoring relay closes the motor contactors when the start button is pressed.

As soon as the Emergency Stop pushbutton is pressed or in case of any detected failures on channel 1 or channel 2, the safety monitoring relay will open both motor contactors of the machine or system.

Restart will then be allowed only if the fault conditions are cleared before the start button is pressed.

The safety monitoring relay also checks the position of the motor contactors through the mirror contact. In case a contactor remains closed on emergency stop actuation, the other contactor will perform the emergency stop function and restart will then be allowed only if the fault conditions are cleared.

NOTES: When the XBT GH touch screen is unplugged:

1. the safety circuit becomes open and the system stops immediately
2. it is recommended to keep it away from the operating equipment because, in case of an emergency, the operator may try to stop the system with the emergency stop integrated in XBT GH that is no longer part of the system

Probabilistic properties

The Magelis XBT GH emergency stop system has been designed and validated for use in safety functions up to:

- EN ISO 13849-1: Performance level (PL) PLe

The safety-related properties of XBTGH emergency stop sub-system (XBT GH, XBT GH cable and XBT GH junction box) according to EN ISO 13849-1, if used according to architecture principles shown in "Emergency Stop function category 4, PLe, SIL 3" on page 4:

- Architecture category 4
- Mean time to dangerous failure of each channel (MTTF_d): High (MTTF_d = 113 years with a worst case assumption of 1 operating cycle per hour and 8760 operating hours per year)
- Diagnostic coverage (DC): High, all diagnostics are performed by the safety monitoring relay (DC = 99%)
- Measure against common cause failure (CCF) are applied.

Therefore the Magelis XBT GH emergency stop system (including cable and junction box) is suitable for use in emergency stop safety functions up to PLe.

NOTE: The MTTF_d of Magelis XBT GH Emergency Stop sub-system strongly depends on the Emergency Stop pushbutton. As an electromechanical component, the MTTF_d of the Emergency Stop pushbutton is based upon the lifetime of the components and the frequency of operating cycle (worst case assumption: 1 operating cycle per hour and 8760 operating hours per year).

A detailed calculation of the MTTF_d per channel is given below:

$$\text{MTTF}_{d \text{ Channel1XBTGH}} = \text{MTTF}_{d \text{ Channel2XBTGH}} = \frac{1}{\frac{0,1 \cdot n_{op}}{B_{10d}} + \frac{1}{\text{MTTF}_{d(\text{XBTGH/Cable/Junction box})}}}$$

With:

$$\text{MTTF}_{d (\text{XBTGH/Cable/Junction box})} > 8\,000 \text{ years}$$

$$B_{10d} = 100\,000 \text{ operations}$$

$$n_{op} = \text{mean number of annual operations}$$

- IEC 62061: Safety integrity level SIL CL 3

The safety related properties of Magelis XBT GH emergency stop sub-system (including (Magelis XBT GH, Magelis XBT GH cable and Magelis XBT GH junction box) according to EN/IEC 62061, if used according to the architecture principle in "Emergency Stop function category 4, PLe, SIL 3" on page 4:

- Safe Failure Fraction (SFF): SFF > 99% for each channel (SFF = 99.8%)
- Subsystem architecture type D
- Diagnostic coverage DC = 99%, all diagnostics are performed by the safety monitoring relay
- Equivalent Failure rate per channel $\lambda_{De1} = \lambda_{De2} = 1.01 \times 10^{-6}/h$ (with a worst case assumption of 1 operating cycle per hour and 8760 operating hours per year)
- Susceptibility of common cause factor: $\beta = 2\%$

According to EN/IEC 62061, and an assumption of proof test interval of 1 year, the probability of dangerous failure (PFH) of the XBTGH emergency stop sub-system is $\text{PFH}_{DSSD} = 2.88 \times 10^{-8}$.

NOTE: The λ_D of XBTGH emergency stop sub-system strongly depends on the Emergency Stop pushbutton. As an electromechanical component, the λ_D of the Emergency Stop pushbutton is based upon the lifetime of the components and the frequency of operating cycle (worst case assumption: 1 operating cycle per hour and 8760 operating hours per year).

A detailed calculation of the λ_D per channel is given below:

$$\lambda_{d \text{ channel1XBTGH}} = \lambda_{d \text{ channel XBTGH}} = \frac{0,1 \times n_{op}}{B_{10d}} + \frac{1}{MTTF_{d(XBTGH/Cable/Junction \text{ box})}}$$

With:

$$MTTF_{d(XBTGH/Cable/Junction \text{ box})} > 8\,000 \text{ years}$$

$$B_{10d} = 100\,000 \text{ operations}$$

$$n_{op} = \text{mean number of annual operations}$$

ENABLING CONTROL FUNCTION

Safety Requirements

The Magelis XBT GH enabling device is to be integrated in the enabling device function of machines when the safe state of the function is de-energize to trip.

The Magelis XBT GH enabling device system is used as part of a comprehensive risk reduction strategy.

Make sure the device, its installation and associated configuration satisfy your risk assessment and associated risk reduction strategy.

When designing, installing or operating any enabling device, such as the Magelis XBT GH Enabling device, you must ensure that the national and international standards and regulations that apply to your application are fulfilled.

The national and international safety of machinery regulations specific to the application must be observed, for example:

- EN 12100, safety of machinery: basic concepts, general principles for design
- EN 60204-1, safety of machinery: electrical equipment of machines
- EN/ISO 13849-1, safety of machinery: safety related parts of control systems and general principles for design

Hardware Architecture Design

The following diagram is an enabling function of a single XBT GH. The enabling control is a manually activated control function interlock.

When:

- activated: a machine operation can be initiated by a separate start control
- de-activated: a stop function is initiated that prevents initiation of a machine operation

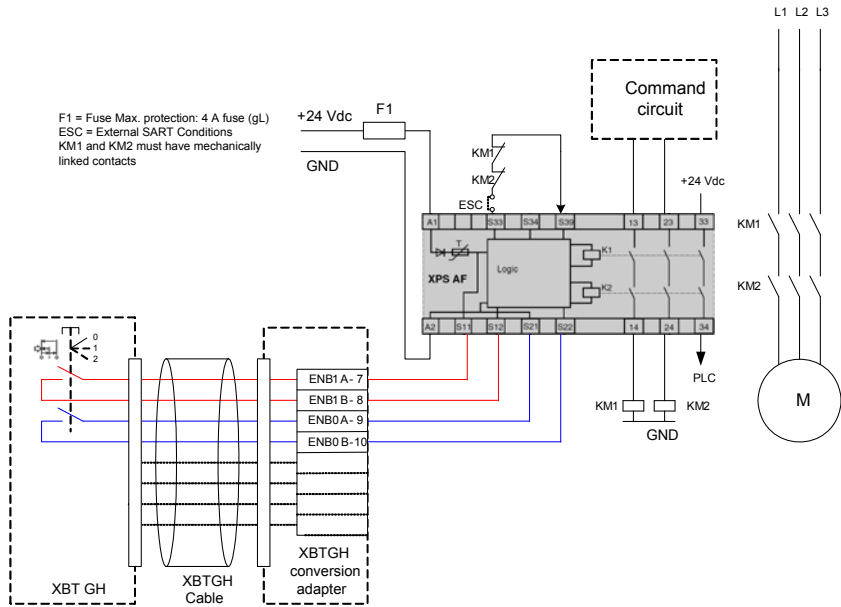
The activation of the 3-Position Enable Switch, by pressing it to the intermediate position, sends a signal to the rest of the system to allow the command of moving parts of the machine.

The signal is removed when:

- 3-Position Enable Switch is not pressed (released)
- 3-Position Enable Switch is pressed to the innermost position (fully pressed)
- the XBT GH is unplugged
- there is a loss of the safety circuit power supply
- there is an internal fault detected

In the following example the Monitoring device is a safety monitoring relay for monitoring emergency stop circuits: Schneider Electric reference XPSAF5130 (Preventa range of products).

The XPSAF5130 module provides three safety related outputs of stop category 0 (EN/ISO 13850 and EN 60204-1) in the figure below.



The architecture above is based on two channels with cross monitoring. The safety monitoring relay continuously checks the signals from contacts ENB0A/E0B (Channel 1) and ENB1A/E1B (Channel 2) of the Magelis XBT GH enabling switch. As long as both circuits are closed, the safety monitoring relay allows the command circuit to command the motor contactors.

As soon as the enabling switch is released, fully pressed or detects an error on channel 1 or channel 2, the safety monitoring relay opens both motor contactors of the machine or system.

The safety monitoring relay also checks the position of the motor contactors through the mirror contact. If a contactor remains closed on stop actuation, restart is then allowed only if the error conditions are cleared.

To minimize the possibility of defeating the enabling switch, the PLC output (33/34) of the safety relay can be used to check the de-activation of the enabling control function before machine operation is re-initiated.

NOTES: When the XBT GH touch screen is unplugged:

1. the safety circuit becomes open and the system stops immediately
2. it is recommended to keep it away from the operating equipment because, in case of an emergency, the operator may try to stop the system with the emergency stop integrated in XBT GH that is no longer part of the system

Probabilistic Properties

The Magelis XBT GH enabling control function has been designed and validated for use in safety functions up to:

- EN 954-1: Category 3, a single fault does not lead to the loss of the safety function, some but not all faults are detected at or before the next demand on the safety function
- EN/ISO 13849-1: Performance level (PL) PLd

The safety-related properties of XBT GH enabling switch sub-system (XBT GH, XBT GH cable and XBT GH junction box) according to EN ISO 13849-1, if used according to architecture principles shown in "Enabling control function category 3, PLd, SIL 2" on page 7 above (Enabling control function category 3, PLd, SIL 2):

- Architecture category 3
- Mean time to dangerous failure of each channel ($MTTF_d$): High ($MTTF_d = 175$ years with an assumption of 1 operating cycle per hour and 8760 operating hours per year)
- Diagnostic coverage (DC): Low, with diagnostics are performed by the safety monitoring relay (DC = 75 %)
- Measure against common cause failure (CCF) are applied
- IEC 62061: Safety integrity level SIL CL 2

Therefore, the Magelis XBT GH enabling device (including cable and junction box) is suitable for use in enabling device safety functions up to PLd.

NOTE: The $MTTF_d$ of Magelis XBT GH enabling device depends on the enabling switch. As an electromechanical component, the $MTTF_d$ of the enabling switch is based upon the lifetime of the components and the frequency of operating cycle (worst case assumption: 1 operating cycle per hour and 8760 operating hours per year).

A detailed calculation of the $MTTF_d$ per channel is given below:

$$MTTF_{d \text{ Channel1XBTGH}} = MTTF_{d \text{ Channel2XBTGH}} = \frac{1}{\frac{0,1 \times n_{op}}{B_{10d}} + \frac{1}{MTTF_d(\text{XBTGH/Cable/Junction box})}}$$

With:

$$MTTF_d(\text{XBTGH/Cable/Junction box}) > 8\,000 \text{ years}$$

$$B_{10d} = 100\,000 \text{ operations}$$

$$n_{op} = \text{mean number of annual operations}$$

If the Magelis XBT GH enabling device sub-system (that includes Magelis XBTGH, Magelis XBT GH cable and Magelis XBT GH junction box) is according to the architecture in "Enabling control function category 3, PLd, SIL 2" on page 7, the safety related properties according to EN IEC 6206 are:

- Safe Failure Fraction (SFF): SFF > 80%
- Subsystem architecture type B
- Hardware fault tolerance is 1
- Architectural constraints on subsystem are meet up to a maximum of SIL2
- Equivalent Failure rate per channel $\lambda_{De1} = \lambda_{De2} = 1.01 \times 10^{-6}/h$ (with a worst case assumption of one operating cycle per hour and 8760 operating hours per year)
- Susceptibility of common cause factor: $\beta = 2\%$

According to EN IEC 62061 and with an assumption of lifetime of 10 years, the probability of dangerous failure (PFH) of the XBTGH enabling device sub-system is $PFH_{DSSD} < 10^{-7}$.

NOTE: The λ_D of XBTGH enabling control sub-system strongly depends on the 3-Position Enable switch. As an electromechanical component, the λ_D of the 3-Position Enable switch is based upon the lifetime of the components and the frequency of operating cycle (worst case assumption: 1 operating cycle per hour and 8760 operating hours per year).

A detailed calculation of the λ_D (per year) per channel is given below:

$$\lambda_{d \text{ channel1 XBTGH}} = \lambda_{d \text{ channel2 XBTGH}} = \frac{0,1 \times n_{op}}{B_{10d}} + \frac{1}{MTTF_d(\text{XBTGH/Cable/Junction box})}$$

With:

$$MTTF_d (\text{XBTGH/Cable/Junction box}) > 8\,000 \text{ years}$$

$$B_{10d} = 100\,000 \text{ operations}$$

$$n_{op} = \text{mean number of annual operations}$$

OPERATION AND MAINTENANCE

Installation

The installation instructions for the monitoring device being used must be followed.

Operation

If the Magelis XBT GH hand-held terminal attachment cable is not permanently installed, make sure that it is kept out of the way to prevent any accidents which may cause the hand-held terminal to fall to the ground.

The Magelis XBT GH cable must not be pinched or come into contact with sharp corners, that would result in damage to the cable or its sheathing.

A Magelis XBT GH emergency stop that is not connected might be confused with an active control device. Keep it away from dangerous areas.

WARNING

UNINTENDED EQUIPMENT OPERATION

- Keep a disconnected Magelis XBT GH away from dangerous areas.
- Do not operate a Magelis XBT GH terminal with a damaged connection or switching cabinet cable.

Failure to follow these instructions can result in death, serious injury, or equipment damage.

Maintenance

WARNING

UNINTENDED EQUIPMENT OPERATION

- Check the emergency stop and the enabling control function the first time the Magelis XBT GH hand-held terminal is connected.
- Perform a periodic maintenance test, at least once a year, to verify the emergency stop and the enabling control function.

Failure to follow these instructions can result in death, serious injury, or equipment damage.

MAIN FUNCTIONAL AND ENVIRONMENTAL SPECIFICATIONS

Magelis XBT GH

Physical	Operating Temperature	0 to +40°C (32 to 104°F)
	Storage Temperature	-20 to +60°C (-4 to 140°F)
	Ambient Humidity	10 to 90% RH (wet bulb temperature: 39°C (102.2°F) max. - no condensation)
	Storage Humidity	10 to 90% RH (wet bulb temperature: 39°C (102.2°F) max. - no condensation)
	Dust	0.1 mg/m ³ and below (non-conductive levels)
	Pollution Degree	For use in Pollution Degree 2 environment
	Corrosive Gases	Free of corrosive gases
	Atmospheric Pressure (operating altitude)	800...1114 hPa (2000 m (6561 ft) or lower)

Magelis XBT GH Conversion Adapter

Physical	Surrounding operating Temperature	0 to +50°C ¹ (32 to 122°F)
	Storage Temperature	-20 to +60°C (-4 to 140°F)
	Ambient Humidity	10 to 90% RH (wet bulb temperature: 39°C (102.2°F) max. - no condensation)
	Storage Humidity	10 to 90% RH (wet bulb temperature: 39°C (102.2°F) max. - no condensation)
	Dust	0.1 mg/m ³ and below (non-conductive levels)
	Pollution Degree	For use in Pollution Degree 2 environment
	Corrosive Gases	Free of corrosive gases
	Atmospheric Pressure (operating altitude)	800...1114 hPa (2000 m (6561 ft) or lower)

¹The ambient operating temperature of the XBT GH is 0 to 40°C (32 to 104°F).

Connection Cable XBT ZGHL**

Standard	UL1571
Temperature range	-10 to +60°C (-14 to 140°F)
Conductor material	Copper wire, tin plating
Size of conductor (emergency stop signals)	AWG22
Outside diameter of conductor	0.76 mm (0.03 in)
Outside diameter of insulator	1.2 mm (0.047 in)
Resistance of conductor (20°C)	Maximum 59.4 Ω / km (95.6Ω / mile)
Length	XBT ZGHL3: 3 m (9 ft 10.1 in.) XBT ZGHL10: 10 m (32 ft 9.7 in.)

TECHNICAL DATA OF COMPONENTS
Emergency Stop Push Button

Standards	EN60947-5-1, EN60947-5-5, UL508
Contact material:	Gold plated silver
Contact resistance	50 m Ω maximum (initial value)
Mechanical life	250 000 operations ¹
Electrical life	100 000 operations ¹
Degree of protection	IP65
Rated operating current according to IEC 60947-5-1	Main contacts (NC): (DC13) U _e = 30 V / I _e = 1 A Monitoring contact (NO) (DC13) U _e = 30 V / I _e = 1 A
B _{10d}	100 000 operations ¹

¹The actual number of operations varies based upon environment, duty cycle and load.

3-Position Enable Switch

Standards	EN 60947-5-1, EN 60947-5-8, UL508
Contact resistance	50 m Ω maximum (initial value)
Mechanical life	Position 1→ 2: 100 000 000 operations minimum Positions 1→ 2→ 3→ 1: 100 000 operations minimum
Electrical life	100 000 operations minimum at rated load
Degree of protection	IP65
Rated operating current according to IEC 60947-5-1	Main contacts (NC): (DC13) U _e = 30 V / I _e = 1 A Monitoring contact (NO) (DC13) U _e = 30 V / I _e = 1 A
B _{10d}	100 000 operations ¹

¹The actual number of operations varies based upon environment, duty cycle and load.

Magelis XBT GH Not-Halt-Taster

Kurzanleitung

Gemäß EN ISO 13849-1 und IEC 62061

04/2016

Übersetzung des englischen Originaldokuments

ÜBER DIESES DOKUMENT

Dieses Dokument beschreibt den Magelis XBT GH Not-Halt-Taster und insbesondere, wie die Sicherheitsanforderungen der ISO 13849-1 und der IEC 62061 eingehalten werden. Es enthält detaillierte zur Auslegung und Wartung des System, um Menschen zu schützen und Schäden von Umwelt, Anlagen und Produkten vorzubeugen.

Der Magelis XBT GH Not-Halt-Taster ist für die Integration in die Not-Halt Funktion von Maschinen bis zu Performance Level / Stufe der Sicherheitsintegrität Ple/SIL3 ausgelegt.

Gemäß EN ISO 12100 ist ein Not-Halt eine Funktion, die folgende Zwecke erfüllt:

- Abwenden entstehender oder Minderung bestehender Gefahren für Personen sowie von Schäden an Maschinen oder an laufenden Arbeiten
- Auslösen durch eine einzige Aktion eines Menschen

Diese Dokumentation richtet sich an qualifiziertes Personal, das mit der funktionalen Sicherheit und mit Magelis XBT GH vertraut ist. Die Inbetriebnahme und der Betrieb des Magelis XBT GH in einem sicherheitsgerichteten Teil eines Steuerungssystems dürfen nur von Personen durchgeführt werden, die zur Inbetriebnahme und zum Betrieb von Systemen gemäß den gültigen Funktionssicherheitsnormen befugt sind.

GÜLTIGKEITSHINWEIS

Die in dieser Dokumentation enthaltenen Daten und Illustrationen sind nicht verbindlich. Schneider Electric behält sich das Recht vor, seine Produkte gemäß seinen Richtlinien zur ständigen Produktverbesserung zu ändern. Die Informationen in dieser Dokumentation können ohne Vorankündigung geändert und dürfen nicht als Zusicherung von Schneider Electric ausgelegt werden.

VERWANDTE DOKUMENTE

Sie können die technischen Veröffentlichungen von Schneider Electric sowie andere technische Informationen von unserer Website herunterladen: www.schneider-electric.com.

HINWEIS: Alle Einschränkungen hinsichtlich der elektrischen Sicherung und der externen Verkabelung und Verdrahtung müssen den Dokumenten in dieser Tabelle und dem Inhalt dieses Handbuchs folgen.

Referenz	Bezeichnung	Ursprung
AAV89570	Magelis XBT GH - Kurzanleitung	Schneider Electric
35010372	Magelis XBT GT, XBT GK, XBT GH - Benutzerhandbuch	Schneider Electric
AAV89571	Magelis XBT GH - Installationsanleitung zur Junction Box	Schneider Electric
Zum Zeitpunkt des Drucks nicht veröffentlicht. Siehe www.schneider-electric.com .	Sicherheitsbausteine für Maschinen - EC-Baumusterprüfbescheinigung	INERIS

Schneider
Electric

KONFORMITÄT MIT EUROPÄISCHEN RICHTLINIEN

Schneider Electric erklärt, dass der Not-Halt-Taster Magelis XBT GH die Bestimmungen der folgenden EC-Maschinenrichtlinie(n) 2006/42/EC erfüllt und dass die unten angegebenen Normen und/oder technischen Spezifikationen von INERIS angewendet und validiert wurden.

VERWENDETE NORMEN

Referenz	Bezeichnung
EN ISO 13850: 2006	Sicherheit von Maschinen - Not-Halt - Gestaltungsleitsätze
EN ISO 13849-1: 2008	Sicherheit von Maschinen - Sicherheitsbezogene Teile von Steuerungen - Teil 1 Allgemeine Gestaltungsleitsätze
EN ISO 13849-2: 2015	Sicherheit von Maschinen - Sicherheitsbezogene Teile von Steuerungen - Teil 2 Validierung
EN IEC 62061: 2005	Sicherheit von Maschinen - Funktionale Sicherheit sicherheitsbezogener elektrischer, elektronischer und programmierbarer elektronischer Steuerungssysteme

BITTE BEACHTEN!

Elektrische Geräte dürfen nur von Fachpersonal installiert, betrieben, gewartet und instandgesetzt werden. Schneider Electric haftet nicht für Schäden, die durch die Verwendung dieses Materials entstehen.

PRODUKTBEZOGENE INFORMATION

Wenn Sie Verbesserungen oder Ergänzungen vorschlagen möchten oder Fehler in dieser Veröffentlichung gefunden haben, benachrichtigen Sie uns bitte.

Ohne ausdrückliche schriftliche Genehmigung von Schneider Electric darf kein Teil diese Dokumentation in elektronischer, mechanischer oder anderer Form, einschließlich Fotokopie, reproduziert werden.

Alle gültigen staatlichen, regionalen und lokalen Sicherheitsbestimmungen müssen bei der Installation und Nutzung dieses Produkts berücksichtigt werden. Aus Sicherheitsgründen und um die Übereinstimmung mit dokumentierten Systemmerkmalen zu gewährleisten, sollten Reparaturen an Komponenten nur vom Hersteller vorgenommen werden.

Wenn Steuerungen für Anwendungen mit technischen Sicherheitsanforderungen eingesetzt werden, sind die relevanten Anweisungen zu beachten.

Siehe:

- ISO 13849-1, „Sicherheit von Maschinen - Sicherheitsbezogene Teile von Steuerungen - Teil 1 Allgemeine Gestaltungsleitsätze“.
- IEC 62061, „Sicherheit von Maschinen - Funktionale Sicherheit sicherheitsbezogener elektrischer, elektronischer und programmierbarer elektronischer Steuerungssysteme“.

Die PL- und SIL-Anforderungen basieren auf den zum Zeitpunkt der Zertifizierung geltenden Normen.

WARNUNG

UNBEABSICHTIGTER BETRIEB VON GERÄTEN

- Die für folgende Funktionen definierten Anwendungen und die Umgebung müssen vollständig verstanden sein:
 - Not-Halt-Funktion: Nach Performance Level (PL)e in ISO 13849-1 und SIL 3 (Safety Integrity Level, Stufe der Sicherheitsintegrität) in IEC 62061
 - Zustimmungsfunktion: Nach Performance Level (PL)d in ISO 13849-1 und SIL 2 (Safety Integrity Level, Stufe der Sicherheitsintegrität) in IEC 62061
- Bei der Anwendung dieses Produkts dürfen die SIL 3-Einstufungen nicht überschritten werden.

Nichtbeachtung dieser Anweisungen kann zum Tod, zu schweren Verletzungen und zu Geräteschäden führen.

IN DIESEM DOKUMENT VERWENDETE BEGRIFFE

Die folgenden in dieser Tabelle verwendeten Begriffe gelten nur für die SIL 3-Einstufung:

Sicherheitsanforderungen	ISO 13849-1
Safety Integrity Level (Sicherheitsstufe)	IEC 62061
Funktionsicherheit	IEC 62061
Sicherheitsfunktion	ISO 13849-1
Sicherheitsnorm	ISO 13849-1
Sicherheit von Maschinen	ISO 13849-1
Sicherheitsbezogene Teile von Steuerungen	ISO 13849-1
Bewährte Sicherheitsprinzipien	ISO 13849-2
Sicherheitsüberwachungs-Relais (Preventa)	XPSAF5130
Fehler	IEC 60204-1
Fehler	IEC 60204-1
Gefahrbringender Ausfall	ISO 13849-1
Risiko	IEC 60204-1
Notfall, Not-Halt und Not-Halt-Funktion	ISO 13850
Zustimmungssteuerung	IEC 60204-1
Zustimmungsvorrichtung	ISO 12100

NOT-HALT-FUNKTION

Sicherheitsanforderungen

Der Magelis XBT GH Not-Halt-Taster ist für die Integration in die Not-Halt Funktion von Maschinen ausgelegt, wenn der sichere Zustand der Not-Halt-Funktion zum Auslösen der energiefreie Zustand ist.

Das Magelis XBT GH-Not-Halt-System wird als Teil einer umfassenden Risikoreduzierungsstrategie verwendet. Stellen Sie sicher, dass das Gerät, seine Installation und die zugehörige Konfiguration Ihrer Risikoeinschätzung entsprechen und die zugehörige Risikoreduzierungsstrategie erfüllen.

Beim Gestalten, Installieren oder Betreiben eines Not-Halt-Systems wie zum Beispiel des XBT GH-Not-Halts müssen Sie sicherstellen, dass alle nationalen und internationalen Normen und Vorschriften eingehalten werden, die für Ihre Anwendung gelten. Es müssen die anwendbaren nationalen und internationalen Maschinensicherheits- und Unfallverhütungsvorschriften für die gegebene Anwendung beachtet werden, zum Beispiel:

- EN 12100, Sicherheit von Maschinen, Grundbegriffe, allgemeine Gestaltungsleitsätze
- EN 60204, Sicherheit von Maschinen, Elektrische Ausrüstung von Maschinen
- EN ISO 13850 Sicherheit von Maschinen, Not-Halt. Gestaltungsleitsätze
- ISO 13849-1, Sicherheit von Maschinen - Sicherheitsbezogene Teile von Steuerungen, Allgemeine Gestaltungsleitsätze

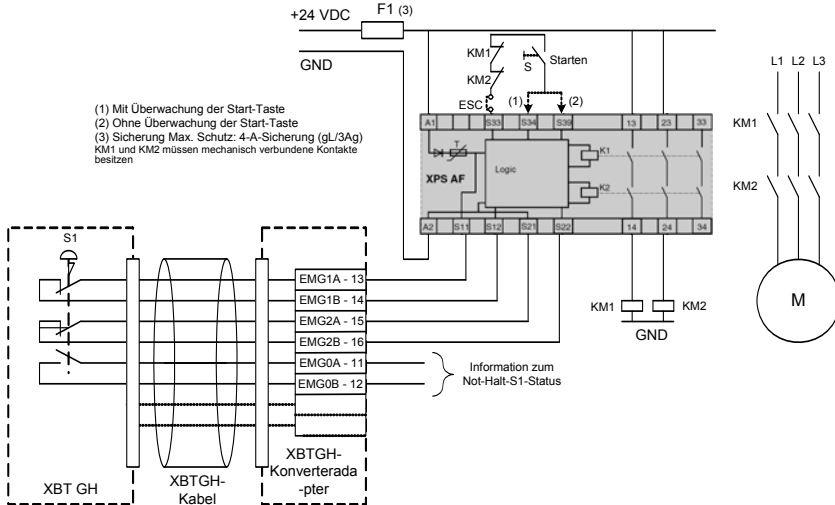
Hardwarearchitekturgestaltung

Das folgende Schema ist ein Beispiel eines Not-Halt-Schemas für ein einzelnes XBT GH. Die Aktivierung des Not-Halt-Tasters oder die Trennung der Magelis XBT GH-Einheit sendet ein Signal an das übrige System, das zum Anhalten von bewegten Teile der Maschine führt.

Im folgenden Beispiel ist das Überwachungsgerät ein Sicherheitsüberwachungsrelais zur Überwachung der Not-Halt-Schaltkreise: siehe XPSAF5130 (Schneider Electric, Preventa-Produktlinie).

Das Modul XPSAF5130 stellt drei Sicherheitsausgänge der Stoppkategorie 0 bereit (EN ISO 13850, EN 60204-1).

Abbildung1 Not-Halt-Funktion Kategorie 4, PLe, SIL 3



Diese oben beschriebene Architektur basiert auf zwei Kanälen mit gegenseitiger Überwachung.

Das Sicherheitsüberwachungsrelais prüft kontinuierlich die Signale der Kontakte EMG1A/EMG1B (Kanal 1) und EMG2A/EMG2B (Kanal 2) des Magelis XBT GH-Not-Halt-Tasters. Solange beide Schaltkreise geschlossen sind, schließt das Sicherheitsüberwachungsrelais die Motorschütze, wenn die Start-Taste gedrückt wird.

Sobald der Not-Halt-Taster gedrückt oder auf Kanal 1 oder Kanal 2 Fehler erkannt wurden, öffnet das Sicherheitsüberwachungsrelais beide Motorschütze der Maschine oder des Systems.

Ein Neustart wird danach erst zugelassen, wenn der Fehlerzustand beim Drücken der Start-Taste behoben ist.

Das Sicherheitsüberwachungsrelais überprüft auch die Position der Motorschütze über den gespiegelten Kontakt. Wenn ein Schütz beim Betätigen des Not-Halts geschlossen bleibt, führt das andere Schütz die Not-Halt-Funktion aus. Ein Neustart wird danach erst dann zugelassen, wenn der Fehlerzustand behoben ist.

HINWEISE: Wenn der XBT GH-Touchscreen ausgesteckt ist:

1. Der Sicherheitskreis wird geöffnet und das System wird sofort angehalten
2. Es wird empfohlen, diesen von laufenden Geräten fernzuhalten, da der Bediener bei einem Notfall versuchen könnte, das System mit dem in den XBT GH integrierten Not-Halt abzuschalten, der aber nicht mehr Teil des Systems ist

Probabilistische Eigenschaften

Das Magelis XBT GH-Not-Halt-System wurde für den Einsatz in Sicherheitsfunktionen ausgelegt und validiert, und zwar bis zu:

- EN ISO 13849-1: Performance Level (PL) PLe

Die sicherheitsgerichteten Eigenschaften des XBTGH-Not-Halt-Subsystems (XBT GH, XBT GH-Kabel und XBT GH Abzweiggehäuse) gemäß EN ISO 13849-1 sind bei Verwendung in Übereinstimmung mit dem in „Not-Halt-Funktion Kategorie 4, PLe, SIL 3“ auf Seite 16 gezeigten Architekturprinzip:

- Architekturkategorie 4
- Mittlere Zeit bis zum gefahrbringenden Ausfall jedes Kanals (MTTF_d): Hoch (MTTF_d = 113 Jahre unter Annahme des ungünstigsten Falls von 1 Schaltspiel pro Stunde und 8760 Betriebsstunden pro Jahr)
- Diagnosedeckungsgrad (DC): Hoch, alle Diagnosen werden ausschließlich vom Sicherheitsüberwachungsrelais durchgeführt (DC = 99 %)
- Maßnahme gegen Ausfälle aufgrund gemeinsamer Ursache (CCF) werden angewendet.

Aus diesem Grund eignet sich das Magelis XBT GH-Not-Halt-System (einschließlich Kabel und Abzweiggehäuse) für die Verwendung in Not-Halt-Sicherheitsfunktionen bis zu PLe.

HINWEIS: Die MTTF_d des Magelis XBT GH-Not-Halt-Systems hängt stark vom Not-Halt-Taster ab. Als elektromechanische Komponente basiert die MTTF_d des Not-Halt-Tasters auf der Lebensdauer der Komponenten und der Häufigkeit der Schaltspiele ab (Annahme des ungünstigsten Falls: 1 Schaltspiel pro Stunde und 8760 Betriebsstunden pro Jahr).

Eine genaue Berechnung für MTTF_d pro Kanal ist nachfolgend angegeben:

$$\text{MTTF}_{d \text{ Kanal1XBTGH}} = \text{MTTF}_{d \text{ Kanal2XBTGH}} = \frac{1}{\frac{0,1 \cdot n_{\text{op}}}{B_{10d}} + \frac{1}{\text{MTTF}_{d(\text{XBTGH/Kabel/Abzweiggehäuse})}}}$$

Wobei:

$$\text{MTTF}_{d(\text{XBTGH/Kabel/Abzweiggehäuse})} > 8\,000 \text{ Jahre}$$

$$B_{10d} = 100\,000 \text{ Schaltspiele}$$

$$n_{\text{op}} = \text{Mittlere Anzahl der jährlichen Schaltspiele}$$

- IEC 62061: Stufe der Sicherheitsintegrität SIL CL3

Die sicherheitsgerichteten Eigenschaften des Magelis XBT GH-Not-Halt-Subsystems (Magelis XBT GH, Magelis XBT GH-Kabel und Magelis XBT GH-Abzweiggehäuse) gemäß EN/IEC 62061 sind bei Verwendung in Übereinstimmung mit dem in „Not-Halt-Funktion Kategorie 4, PLe, SIL 3“ auf Seite 16 gezeigten Architekturprinzip:

- Anteil sicherer Ausfälle (SFF): SFF > 99 % für jeden Kanal (SFF = 99,8 %)
- Subsystem-Architekturtyp D
- Diagnosedeckungsgrad DC = 99 %, alle Diagnosen werden ausschließlich vom Sicherheitsüberwachungsrelais durchgeführt.
- Äquivalente Ausfallrate pro Kanal $\lambda_{De1} = \lambda_{De2} = 1,01 \times 10^{-6} / \text{h}$ (unter Annahme des ungünstigsten Falls mit 1 Schaltspiel pro Stunde und 8760 Betriebsstunden pro Jahr)
- Empfindlichkeit für Ausfälle aufgrund gemeinsamer Ursache: $\beta = 2 \%$
Gemäß EN/IEC 62061 und unter Annahme eines Prüfintervalls von einer Prüfung jährlich beträgt die Wahrscheinlichkeit von gefahrbringenden Ausfällen (PFH) des XBTGH Not-Halt-Subsystems $\text{PFH}_{\text{DssD}} = 2,88 \times 10^{-8}$.

HINWEIS: Die λ_D des XBTGH-Not-Halt-Systems hängt stark vom Not-Halt-Taster ab. Als elektromechanische Komponente basiert die λ_D des Not-Halt-Tasters auf der Lebensdauer der Komponenten und der Häufigkeit der Schaltspiele ab (Annahme des ungünstigsten Falls: 1 Schaltspiel pro Stunde und 8760 Betriebsstunden pro Jahr).

Eine genaue Berechnung für I_D pro Kanal ist nachfolgend angegeben:

$$\lambda_{d \text{ kanal1XBTGH}} = \lambda_{d \text{ kanal XBTGH}} = \frac{0,1 x n_{op}}{B_{10d}} + \frac{1}{MTTF_{d(XBTGH/Kabel/Abzweiggehäuse)}}$$

Wobei:

$$MTTF_{d(XBTGH/Kabel/Abzweiggehäuse)} > 8 \text{ 000 Jahre}$$

$$B_{10d} = 100 \text{ 000 Schaltspiele}$$

$$n_{op} = \text{Mittlere Anzahl der jährlichen Schaltspiele}$$

ZUSTIMMUNGSSTEUERUNGS-FUNKTION

Sicherheitsanforderungen

Die Magelis XBT GH Zustimmungsvorrichtung ist für die Integration in die Zustimmungsvorrichtungsfunktion von Maschinen ausgelegt, wenn der sichere Zustand der Funktion zum Auslösen der energiefreie Zustand ist.

Das Magelis XBT GH-Zustimmungsvorrichtungssystem wird als Teil einer umfassenden Risikoreduzierungsstrategie verwendet.

Stellen Sie sicher, dass das Gerät, seine Installation und die zugehörige Konfiguration Ihrer Risikoeinschätzung entsprechen und die zugehörige Risikoreduzierungsstrategie erfüllen.

Beim Gestalten, Installieren oder Betreiben einer Zustimmungsvorrichtung wie zum Beispiel der XBT GH-Zustimmungsvorrichtung müssen Sie sicherstellen, dass alle nationalen und internationalen Normen und Vorschriften eingehalten werden, die für Ihre Anwendung gelten.

Es müssen die anwendbaren nationalen und internationalen Maschinensicherheits- und Unfallverhütungsvorschriften für die gegebene Anwendung beachtet werden, zum Beispiel:

- EN 12100, Sicherheit von Maschinen: Grundbegriffe, allgemeine Gestaltungsleitsätze
- EN 60204-1, Sicherheit von Maschinen: Elektrische Ausrüstung von Maschinen
- EN ISO 13849-1, Sicherheit von Maschinen: Sicherheitsbezogene Teile von Steuerungen und allgemeine Gestaltungsleitsätze

Hardwarearchitekturgestaltung

Die folgende Abbildung zeigt eine Zustimmungsfunktion eines einzelnen XBT GH. Die Zustimmungsteuerung ist eine manuell betätigte Verriegelung mit der Steuerungsfunktion.

Wenn:

- Aktiviert: eine Maschine kann mit einer separaten Startsteuerung in Gang gesetzt werden.
- Deaktiviert: eine Stoppfunktion wird ausgelöst, die das Ingangsetzen einer Maschine unterbindet.

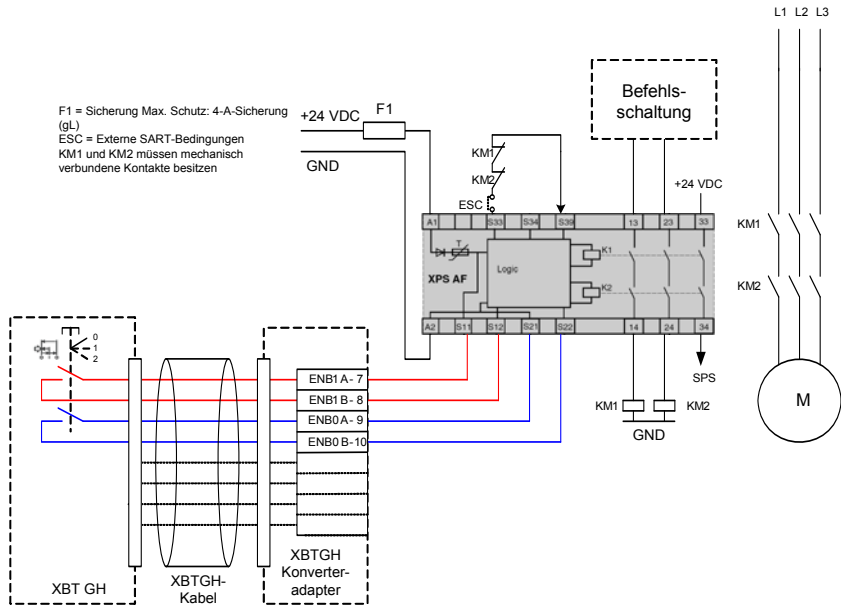
Die Aktivierung des 3-Positionen-Zustimmungsschalters durch Drücken in die Mittelposition sendet ein Signal an das übrige System, das die Steuerung von bewegten Maschinenteilen freigibt.

Das Signal liegt in folgenden Situationen nicht mehr an:

- 3-Positionen-Zustimmungsschalter ist nicht gedrückt (losgelassen)
- 3-Positionen-Zustimmungsschalter ist bis zur inneren Position gedrückt (vollständig eingedrückt)
- Das XBT GH wird ausgesteckt
- Bei einem Verlust der Stromversorgung des Sicherheitskreises
- Es wurde ein interner Fehler erkannt

Im folgenden Beispiel ist das Überwachungsgerät ein Sicherheitsüberwachungsrelais zur Überwachung der Not-Halt-Schaltkreise: Schneider Electric Teilnummer XPSAF5130 (Preventa-Produktlinie).

Das Modul XPSAF5130 stellt in der Abbildung unten drei Sicherheitsausgänge der Stoppkategorie 0 bereit (EN ISO 13850, und EN 60204-1).



Diese oben beschriebene Architektur basiert auf zwei Kanälen mit gegenseitiger Überwachung. Das Sicherheitsüberwachungsrelais prüft kontinuierlich die Signale der Kontakte ENB0A/E0B (Kanal 1) und ENB1A/E1B (Kanal 2) des Magelis XBT GH-Not-Halt-Tasters. Solange beide Schaltkreise geschlossen sind, gestattet das Sicherheitsüberwachungsrelais der Befehlschaltung die Ansteuerung der Motorschütze. Sobald der Zustimmungsschalter losgelassen oder ganz eingedrückt wird, oder wenn ein Fehler in Kanal 1 oder Kanal 2 erkannt wird, öffnet der Sicherheitsüberwachungsrelais beide Motorschütze der Maschine oder des Systems.

Das Sicherheitsüberwachungsrelais überprüft auch die Position der Motorschütze über den gespiegelten Kontakt. Wenn ein Schütz bei Betätigung eines Halts geschlossen bleibt, wird der Neustart nur dann zugelassen, wenn die Fehlerzustände behoben sind.

Um die Möglichkeit einer Außerkraftsetzung des Zustimmungsschalters zu minimieren, kann der SPS-Ausgang (33/34) des Sicherheitsrelais dazu verwendet werden, vor dem Wiederanlaufen der Maschine auf eine Deaktivierung der Zustimmungssteuerungs-Funktion zu prüfen.

HINWEISE: Wenn der XBT GH-Touchscreen ausgesteckt ist:

1. Der Sicherheitskreis wird geöffnet und das System wird sofort angehalten
2. Es wird empfohlen, diesen von laufenden Geräten fernzuhalten, da der Bediener bei einem Notfall versuchen könnte, das System mit dem in den XBT GH integrierten Not-Halt abzuschalten, der aber nicht mehr Teil des Systems ist

Probabilistische Eigenschaften

Die Magelis XBT GH-Zustimmungssteuerungs-Funktion wurde für den Einsatz in Sicherheitsfunktionen ausgelegt und validiert, und zwar bis zu:

- EN 954-1: Kategorie 3, ein einzelner Fehler führt nicht zum Verlust der Sicherheitsfunktion und ein Fehler wird bei oder vor der nächsten Anforderung an die Sicherheitsfunktion erkannt (jedoch nicht alle)
- EN ISO 13849-1: Performance Level (PL) PLd

Die sicherheitsgerichteten Eigenschaften des Magelis XBT GH-Zustimmungsschalter-Subsystems (XBT GH, XBT GH-Kabel und XBT GH Abzweiggehäuse) gemäß EN ISO 13849-1 sind bei Verwendung in Übereinstimmung mit dem in „Zustimmungssteuerungs-Funktion Kategorie 3, PLd, SIL 2“ auf Seite 19 oben gezeigten Architekturprinzip (Zustimmungssteuerungs-Funktion Kategorie 3, PLd, SIL 2):

- Architekturkategorie 3
- Mittlere Zeit bis zum gefahrbringenden Ausfall jedes Kanals ($MTTF_d$): Hoch ($MTTF_d = 175$ Jahre unter Annahme von 1 Schaltspiel pro Stunde und 8760 Betriebsstunden pro Jahr)
- Diagnosedeckungsgrad (DC): Niedrig, alle Diagnosen werden vom Sicherheitsüberwachungsrelais durchgeführt (DC = 75 %)
- Maßnahme gegen Ausfälle aufgrund gemeinsamer Ursache (CCF) werden angewendet
- IEC 62061: Stufe der Sicherheitsintegrität SIL CL2

Aus diesem Grund eignet sich die Magelis XBT GH-Zustimmungsvorrichtung (einschließlich Kabel und Abzweiggehäuse) für die Verwendung in Zustimmungssicherheitsfunktionen bis zu PLd.

HINWEIS: Die $MTTF_d$ der Magelis XBT GH-Zustimmungsvorrichtung hängt stark vom Zustimmungsschalter ab. Als elektromechanische Komponente basiert die $MTTF_d$ des Zustimmungsschalters auf der Lebensdauer der Komponenten und der Häufigkeit der Schaltspiele ab (Annahme des ungünstigsten Falls: 1 Schaltspiel pro Stunde und 8760 Betriebsstunden pro Jahr).

Eine genaue Berechnung für $MTTF_d$ pro Kanal ist nachfolgend angegeben:

$$MTTF_{d \text{ Kanal1XBTGH}} = MTTF_{d \text{ Kanal2XBTGH}} = \frac{1}{\frac{0,1 \cdot n_{op}}{B_{10d}} + \frac{1}{MTTF_{d(XBTGH/Kabel/Abzweiggehäuse)}}}$$

Wobei:

$$MTTF_{d(XBTGH/Kabel/Abzweiggehäuse)} > 8\,000 \text{ Jahre}$$

$$B_{10d} = 100\,000 \text{ Schaltspiele}$$

$$n_{op} = \text{Mittlere Anzahl der jährlichen Schaltspiele}$$

Die sicherheitsgerichteten Eigenschaften des Magelis XBT GH Zustimmungsvorrichtungs-Subsystems (Magelis XBTGH, Magelis XBT GH-Kabel und Magelis XBT GH-Abzweiggehäuse) gemäß EN/IEC 62061 sind bei Verwendung in Übereinstimmung mit dem in „Zustimmungssteuerungs-Funktion Kategorie 3, PLd, SIL 2“ auf Seite 19 gezeigten Architekturprinzip:

- Anteil sicherer Ausfälle (SFF %): SFF > 80 %
- Subsystem-Architekturtyp B
- Hardware-Fehlertoleranz ist 1
- Einschränkungen hinsichtlich der Architektur beim Subsystem werden bis maximal SIL2 erfüllt.
- Äquivalente Ausfallrate pro Kanal $\lambda_{De1} = \lambda_{De2} = 1,01 \times 10^{-6}/h$ (unter Annahme des ungünstigsten Falls mit einem Schaltspiel pro Stunde und 8760 Betriebsstunden pro Jahr)
- Empfindlichkeit für Ausfälle aufgrund gemeinsamer Ursache: $\beta = 2 \%$

Gemäß EN IEC62061 und unter Annahme einer Lebensdauer von 10 Jahren beträgt die Wahrscheinlichkeit von gefahrbringenden Ausfällen (PFH) des XBTGH Zustimmungsvorrichtungs-Subsystems $PFH_{DssD} < 10^{-7}$.

HINWEIS: Die λ_D des XBTGH-Freigabesteuerungs-Systems hängt stark vom 3-Positionen-Zustimmungsschalter ab. Als elektromechanische Komponente basiert die λ_D des 3-Positionen-Zustimmungsschalters auf der Lebensdauer der Komponenten und der Häufigkeit der Schaltspiele ab (Annahme des ungünstigsten Falls: 1 Schaltspiel pro Stunde und 8760 Betriebsstunden pro Jahr).

Eine genaue Berechnung für I_D pro Jahr und pro Kanal ist nachfolgend angegeben:

$$\lambda_{d \text{ kanal1 XBTGH}} = \lambda_{d \text{ kanal2 XBTGH}} = \frac{0,1 \times n_{op}}{B_{10d}} + \frac{1}{MTTF_d \text{ (XBTGH/Kabel/Abzweiggehäuse)}}$$

Wobei:

$$MTTF_d \text{ (XBTGH/Kabel/Abzweiggehäuse)} > 8\,000 \text{ Jahre}$$

$$B_{10d} = 100\,000 \text{ Schaltspiele}$$

$$n_{op} = \text{Mittlere Anzahl der jährlichen Schaltspiele}$$

BETRIEB UND WARTUNG

Installation

Die Anweisungen für das verwendete Überwachungsgerät müssen befolgt werden.

Betrieb

Wenn das Anschlusskabel des Magelis XBT GH Handheld-Terminals nicht permanent angeschlossen ist, muss es so verlegt werden, dass Unfälle und ein eventuelles Herunterfallen des Handheld-Terminals verhindert werden.

Das Anschlusskabel des Magelis XBT GH darf nicht gequetscht werden oder scharfe Kanten berühren, da dies die Kabel oder deren Ummantelung beschädigen kann.

Eine nicht angeschlossene Magelis XBT GH Not-Halt-Vorrichtung kann mit einer aktiven Steuervorrichtung verwechselt werden. Sie ist aus dem Gefahrenbereichen fernzuhalten.

WARNUNG

UNBEABSICHTIGTER BETRIEB VON GERÄTEN

- Halten Sie ein nicht angeschlossenes Magelis XBT GH aus Gefahrenbereich fern.
- Betreiben Sie kein Magelis XBT GH-Terminal mit beschädigtem Anschluss- oder Schaltschrankkabel.

Nichtbeachtung dieser Anweisungen kann zum Tod, zu schweren Verletzungen und zu Geräteschäden führen.

Wartung

WARNUNG

UNBEABSICHTIGTER BETRIEB VON GERÄTEN

- Prüfen Sie die Not-Halt-Funktion und die Zustimmungssteuerungs-Funktion beim ersten Anschließen des Magelis XBT GH Handheld-Terminals.
- Prüfen Sie die Funktionsfähigkeit des Not-Halts und der Zustimmungssteuerungs-Funktion mindestens einmal jährlich im Rahmen der regelmäßigen Wartung.

Nichtbeachtung dieser Anweisungen kann zum Tod, zu schweren Verletzungen und zu Geräteschäden führen.

WESENTLICHE FUNKTIONEN UND UMGEBUNGSDATEN**Magelis XBT GH**

Physische	Betriebstemperatur	0 bis +40 °C (32 bis 104 °F)
	Lagertemperatur	-20 bis +60 °C (-4 bis 140 °F)
	Umgebungsfeuchte	10 bis 90 % r.F. (Feuchtkugeltemperatur: 39 °C (102,2 °F) max. - keine Kondensation.)
	Lagerfeuchte	10 bis 90 % r.F. (Feuchtkugeltemperatur: 39 °C (102,2 °F) max. - keine Kondensation.)
	Staub	0,1 mg/m ³ und kleiner (nicht leitfähige Schichten)
	Verschmutzungsgrad	Für die Verwendung in einer Umgebung gemäß Verschmutzungsgrad 2 geeignet
	Korrosive Gase	Keine korrosiven Gase
	Atmosphärendruck (Betriebshöhe)	800 bis 1.114 hPa (bis 2.000 m [6.561 ft])

Magelis XBT GH-Konverteradapter

Physische	Betriebstemperatur	0 bis +50 °C ¹ (32 bis 122 °F)
	Lagertemperatur	-20 bis +60 °C (-4 bis 140 °F)
	Umgebungsfeuchte	10 bis 90 % r.F. (Feuchtkugeltemperatur: 39 °C (102,2 °F) max. - keine Kondensation.)
	Lagerfeuchte	10 bis 90 % r.F. (Feuchtkugeltemperatur: 39 °C (102,2 °F) max. - keine Kondensation.)
	Staub	0,1 mg/m ³ und kleiner (nicht leitfähige Schichten)
	Verschmutzungsgrad	Für die Verwendung in einer Umgebung gemäß Verschmutzungsgrad 2 geeignet.
	Korrosive Gase	Keine korrosiven Gase
	Atmosphärendruck (Betriebshöhe)	800 bis 1.114 hPa (bis 2.000 m [6.561 ft])

¹Die Betriebstemperatur des XBT GH beträgt 0 bis 40 °C (32 bis 104 °F).

Anschlusskabel XBT ZGHL**

Standard	UL1571
Temperaturbereich	-10 bis +60 °C (-14 bis 140 °F)
Leitermaterial	Kupferdraht, verzinkt
Leiterquerschnitt (Not-Halt-Signale)	AWG22
Außendurchmesser des Leiters	0,76 mm
Außendurchmesser der Isolierung	1,2 mm
Widerstand des Leiters (20 °C)	Höchstwert 59,4 Ω/km (95,6 Ω/Meile)
Länge	XBT ZGHL3: 3 m XBT ZGHL10: 10 m

TECHNISCHE DATEN DER KOMPONENTEN

Not-Aus-Taster

Normen	EN60947-5-1, EN60947-5-5, UL508
Kontaktmaterial:	Vergoldetes Silber
Kontaktwiderstand	50 m Ω maximal (Initialwert)
Mechanische Lebensdauer	250 000 Schaltvorgänge ¹
Elektrische Lebensdauer	100 000 Schaltvorgänge ¹
Schutzart	IP65
Bemessungsbetriebsstrom nach IEC 60947-5-1	Hauptkontakte (Öffner): (DC13) U _e = 30 V / I _e = 1 A Überwachungskontakt (NO/Schließer) (DC13) U _e = 30 V/I _e = 1 A
B _{10d}	100 000 Schaltvorgänge ¹

¹Die tatsächliche Anzahl von Schaltspielen kann je nach Umgebung, Arbeitszyklus und Last unterschiedlich sein.

3-Positionen-Zustimmungsschalter

Normen	EN 60947-5-1, EN 60947-5-8, UL508
Kontaktwiderstand	50 m Ω maximal (Initialwert)
Mechanische Lebensdauer	Position 1→ 2: 100 000 000 Schaltvorgänge minimal Positionen 1→ 2→ 3→ 1: 100 000 Schaltvorgänge minimal
Elektrische Lebensdauer	100 000 Schaltvorgänge minimal bei Bemessungslast
Schutzart	IP65
Bemessungsbetriebsstrom nach IEC 60947-5-1	Hauptkontakte (Öffner): (DC13) U _e = 30 V/I _e = 1 A Überwachungskontakt (NO/Schließer) (DC13) U _e = 30 V/I _e = 1 A
B _{10d}	100 000 Schaltvorgänge ¹

¹Die tatsächliche Anzahl von Schaltspielen kann je nach Umgebung, Arbeitszyklus und Last unterschiedlich sein.

Bouton d'arrêt d'urgence Magelis XBT GH

Fiche d'instructions

Selon la norme EN ISO 13849-1 et CEI 62061

04/2016

Traduction du document original anglais

A PROPOS DE CE DOCUMENT

Ce document décrit le bouton d'arrêt d'urgence Magelis XBT GH, et plus particulièrement sa conformité aux exigences de sécurité des normes ISO 13849-1 et IEC 62061.

Il fournit des détails sur la conception et l'entretien correct du système pour protéger les personnes ainsi que pour éviter des dégâts à l'environnement, aux équipements et à la production.

Le bouton d'arrêt d'urgence Magelis XBT GH est destiné à être intégré dans la fonction d'arrêt d'urgence des machines jusqu'au niveau de performances/niveau d'intégrité de sécurité Ple/SIL3.

Selon la norme EN ISO 12100, un arrêt d'urgence est une fonction conçue pour :

- éviter l'occurrence ou réduire les conséquences d'un risque existant pour les personnes, les dégâts à la machine ou au travail en cours
- être commandé par une action unique de l'homme

Cette documentation s'adresse au personnel qualifié et familier avec la sécurité fonctionnelle et le Magelis XBT GH. La réception et l'exploitation du terminal Magelis XBT GH dans un élément de sécurité d'un système de commande ne doivent être effectuées que par des personnes agréées pour la réception et l'exploitation de systèmes conformément aux normes de sécurité fonctionnelle établies.

NOTE DE VALIDITÉ

Les données et illustrations fournies dans cette documentation ne sont pas contractuelles. Schneider Electric se réserve le droit de modifier ses produits conformément à sa politique de développement permanent. Les informations présentes dans cette documentation peuvent faire l'objet de modifications sans préavis et ne doivent pas être interprétées comme un engagement de la part de Schneider Electric.

DOCUMENTS À CONSULTER

Vous pouvez télécharger les publications techniques Schneider Electric ainsi que d'autres informations remarques à partir de notre site Web www.schneider-electric.com.

REMARQUE : Toutes les restrictions concernant la sécurité électrique, le câblage et le routage doivent respecter les documents de ce tableau ainsi que le contenu de ce manuel.

Référence	Désignation	Origine
AAV89570	Magelis XBT GH - Guide de référence rapide	Schneider Electric
35010372	Magelis XBT GT, XBT GK, XBT GH – Manuel d'utilisateur	Schneider Electric
AAV89571	Magelis XBT GH – Manuel d'installation de boîte de dérivation	Schneider Electric
Non communiqué avant impression. Consulter le site www.schneider-electric.com .	Composants de sécurité pour machines - Certificat d'examen de type CE	INERIS

Schneider
Electric

CONFORMITÉ AUX DIRECTIVES EUROPÉENNES

Schneider Electric déclare que le bouton d'arrêt d'urgence Magelis XBTGH est conforme aux termes des directives relatives aux machines de la Communauté Européenne suivantes 2006/42/CE et déclare de plus que les normes ou caractéristiques techniques mentionnées ci-dessus ont été appliquées et validées par INERIS.

NORMES UTILISÉES

Référence	Désignation
EN ISO 13850 : 2006	Sécurité des machines – Arrêt d'urgence – Principes de conception
EN ISO 13849-1 : 2008	Sécurité des machines – Parties des systèmes de commande relatives à la sécurité – Partie 1 : Principes généraux de conception
EN ISO 13849-2 : 2015	Sécurité des machines – Parties des systèmes de commande relatives à la sécurité – Partie 2 : Validation
EN IEC 62061 : 2005	Sécurité des machines – Sécurité fonctionnelle des systèmes de commande électriques, électroniques et électroniques programmables relatifs à la sécurité

REMARQUE IMPORTANTE

Les équipements électriques doivent être installés, exploités et entretenus par un personnel d'entretien qualifié. Schneider Electric n'assume aucune responsabilité des conséquences éventuelles découlant de l'utilisation de cette documentation.

INFORMATIONS CONCERNANT LE PRODUIT

Veillez nous contacter pour toute suggestion d'amélioration et de modification, ou pour toute erreur détectée dans ce document.

Aucune partie de cette documentation ne peut être reproduite sous quelque forme ou par quelque moyen que ce soit, électronique, mécanique ou photocopie, sans autorisation préalable écrite de Schneider Electric.

Toutes les réglementations locales, régionales et nationales pertinentes doivent être respectées lors de l'installation et de l'utilisation de ce produit. Pour des raisons de sécurité et pour garantir une conformité aux données système documentées, seul le fabricant est habilité à effectuer des réparations sur les composants.

Lorsque les automates sont utilisés pour des applications présentant des exigences de sécurité technique, suivez les instructions appropriées.

Voir :

- ISO 13849-1, « Sécurité des machines – Parties des systèmes de commande relatives à la sécurité – Partie 1 : Principes généraux de conception ».
- CEI 62061, « Sécurité des machines – Sécurité fonctionnelle des systèmes de commande électriques, électroniques et électroniques programmables relatifs à la sécurité ».

Les exigences PL et SIL se basent sur les normes en vigueur à la date de certification.



AVERTISSEMENT

OPÉRATION D'ÉQUIPEMENT NON INTENTIONNELLE

- Assurez-vous d'avoir parfaitement compris les applications et l'environnement définis pour :
 - fonction d'arrêt d'urgence : Niveau de performances (PL)e dans le cadre de la norme ISO 13849-1 et par le niveau d'intégrité de sûreté (SIL) 3 dans le cadre de la norme CEI 62061.
 - fonction de dispositif d'activation : Niveau de performances (PL)d dans le cadre de la norme ISO 13849-1 et par le niveau d'intégrité de sûreté (SIL) 2 dans le cadre de la norme CEI 62061.
- Ne dépassez pas les spécifications du SIL3 dans l'application de ce produit.

Le non-respect de ces instructions peut conduire à des blessures graves ou mortelles, ou à des dommages matériels.

TERMES UTILISÉS DANS CE DOCUMENT

Les termes de ce tableau ne s'appliquent qu'au niveau SIL3 quand ils sont utilisés dans ce document :

Exigences de sécurité	ISO 13849-1
Niveau d'intégrité de la sécurité	CEI 62061
Sécurité fonctionnelle	CEI 62061
Fonction de sécurité	ISO 13849-1
Norme de sécurité	ISO 13849-1
Sécurité des machines	ISO 13849-1
Parties des systèmes de commande relatives à la sécurité	ISO 13849-1
Principes de sécurité bien connus	ISO 13849-2
Relais de surveillance de sécurité (Preventa)	XPSAF5130
Défaut	CEI 60204-1
Erreur	CEI 60204-1
Panne dangereuse	ISO 13849-1
Risque	CEI 60204-1
Urgence, arrêt d'urgence et fonction d'arrêt d'urgence	ISO 13850
Commande d'activation	CEI 60204-1
Dispositif d'activation	ISO 12100

FONCTION D'ARRÊT D'URGENCE

Exigences de sécurité

Le bouton poussoir d'arrêt d'urgence Magelis XBT GH est conçu pour être intégré dans la fonction d'arrêt d'urgence des machines quand l'état sûr de la fonction d'arrêt d'urgence est la désactivation au déclenchement.

Le système d'arrêt d'urgence Magelis XBT GH s'utilise dans le cadre d'une stratégie complète de réduction des risques. Assurez-vous que l'équipement, son installation et la configuration associée sont conformes à votre évaluation des risques et à la stratégie de réduction des risques associés.

Pour la conception, l'installation ou l'utilisation d'un équipement quelconque d'arrêt d'urgence, par exemple l'arrêt d'urgence XBT GH, vous devez vous assurer du respect des normes et réglementations nationales et internationales applicables à votre installation. Les réglementations nationales et internationales de sécurité des machines spécifiques de l'application doivent être respectées, par exemple :

- EN 12100, Sécurité des machines, Notions fondamentales, principes généraux de conception
- EN 60204, Sécurité des machines, Equipement électrique des machines
- EN ISO 13850 Sécurité des machines, Arrêt d'urgence. Principes de conception
- EN ISO 13849-1, Sécurité des machines, Parties des systèmes de commande relatives à la sécurité, Principes généraux de conception

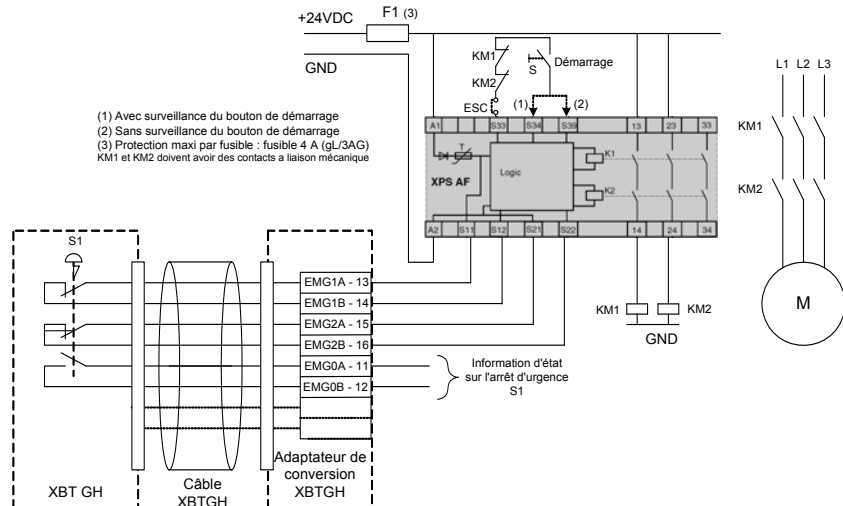
Architecture matérielle

Le schéma ci-dessous est un exemple de schéma d'arrêt d'urgence d'un XBT GH unique. L'activation du bouton d'arrêt d'urgence ou le débranchement de l'appareil Magelis XBT GH transmet un signal au reste du système pour lancer l'arrêt des pièces mobiles de la machine.

Dans l'exemple suivant, le dispositif de surveillance est un relais de sécurité pour surveillance des circuits d'arrêt d'urgence : référence XPSAF5130 (Schneider Electric, gamme de produits Preventa).

Le module XPSAF5130 offre trois sorties de sécurité associées de catégorie d'arrêt 0 (EN ISO 13850, EN 60204-1).

Figure 1 Fonction d'arrêt d'urgence catégorie 4, PLe, SIL 3



FRANÇAIS

L'architecture ci-dessus se base sur deux canaux avec surveillance croisée.

Le relais de surveillance de sécurité surveille en permanence les signaux provenant des contacts EMG1A/ EMG1B (canal 1) et EMG2A/EMG2B (canal 2) du bouton d'arrêt d'urgence Magelis XBT GH. Tant que les deux circuits sont fermés, le relais de surveillance de sécurité ferme les contacteurs du moteur lors de l'enfoncement du bouton de démarrage.

Dès que le bouton d'arrêt d'urgence est enfoncé ou en cas de défaillance détectée sur le canal 1 ou le canal 2, le relais de surveillance sécurité ouvre les deux contacteurs du moteur de la machine ou du système.

Le redémarrage ne sera alors autorisé que si les conditions de défaut sont éliminées à l'enfoncement du bouton de démarrage.

Le relais de sécurité vérifie aussi la position des contacteurs du moteur par le contact miroir. Au cas où un contacteur resterait fermé après actionnement de l'arrêt d'urgence, l'autre contacteur assurera la fonction d'urgence et le redémarrage ne sera alors autorisé que si les conditions de défaut sont éliminées.

REMARQUES : Quand l'écran tactile XBT GH est débranché :

1. le circuit de sécurité s'ouvre et le système s'arrête immédiatement
2. il est recommandé de le maintenir à l'écart de l'équipement en fonctionnement parce qu'en cas d'urgence l'opérateur peut tenter d'arrêter le système par l'arrêt d'urgence intégré du XBT GH qui ne fait plus partie du système

Propriétés probabilistes

Le système d'arrêt d'urgence Magelis XBT GH a été conçu et validé pour utilisation dans une fonction de sécurité jusqu'à :

- EN ISO 13849-1 : Niveau de performances (PL) PLe
Propriétés de sécurité du sous-système d'arrêt d'urgence XBTGH (XBT GH, câble XBT GH et boîte de dérivation XBT GH) selon EN ISO13849-1, en cas d'utilisation selon les principes d'architecture présentés sur « Fonction d'arrêt d'urgence catégorie 4, PLe, SIL 3 » en page 28:
 - Architecture catégorie 4
 - Temps moyen avant panne dangereuse de chaque canal (MTTF_d) : Elevé (MTTF_d = 113 ans avec une hypothèse du pire cas de 1 cycle de fonctionnement par heure et 8760 heures de fonctionnement par an)
 - Couverture de diagnostic (DC) : Elevée, tous les diagnostics sont effectués par le relais de sécurité (DC = 99%)
 - Des mesures contre les causes de panne communes (CCF) sont appliquées.
- Donc le système d'arrêt d'urgence Magelis XBT GH (y compris son câble et sa boîte de dérivation) convient pour utilisation dans les fonctions de sécurité d'arrêt d'urgence jusqu'à PLe.

REMARQUE : La valeur MTTF_d du sous-système d'arrêt d'urgence Magelis XBT GH dépend fortement du bouton d'arrêt d'urgence. En tant que composant électromécanique, le MTTF_d du bouton d'arrêt d'urgence se base sur la durée de vie des composants et la fréquence du cycle de fonctionnement (hypothèse de pire cas : 1 cycle de fonctionnement par heure et 8760 heures de fonctionnement par an). Vous trouverez ci-dessous un calcul détaillé du MTTF_d par canal :

$$\text{MTTF}_{d \text{ Canal1XBTGH}} = \text{MTTF}_{d \text{ Canal2XBTGH}} = \frac{1}{\frac{0,1 \times n_{op}}{B_{10d}} + \frac{1}{\text{MTTF}_{d(\text{XBTGH/Câble/Boîte de dérivation})}}}$$

Avec :

$$\text{MTTF}_{d(\text{XBTGH/Câble/Boîte de dérivation})} > 8\,000 \text{ ans}$$

$$B_{10d} = 100\,000 \text{ cycles}$$

$$n_{op} = \text{Nombre moyen de cycles par an}$$

- CEI 62061 : Niveau d'intégrité de sécurité SIL CL 3
Propriétés de sécurité du sous-système d'arrêt d'urgence Magelis XBT GH (y compris Magelis XBT GH, câble Magelis XBT GH et boîte de dérivation Magelis XBT GH) selon EN/CEI 62061, en cas d'utilisation selon les principes d'architecture présentés sur « Fonction d'arrêt d'urgence catégorie 4, PLe, SIL 3 » en page 28 :
 - Fraction de panne sûre (SFF) : SFF > 99% pour chaque canal (SFF = 99.8%)
 - Architecture de sous-système type D
 - Couverture de diagnostic DC = 99%, tous les diagnostics sont effectués par le relais de sécurité
 - Taux de panne équivalent par canal $\lambda_{De1} = \lambda_{De2} = 1,01 \times 10^{-6} / \text{h}$ (avec une hypothèse de pire cas de 1 cycle de fonctionnement par heure et 8760 heures de fonctionnement par an)
 - Susceptibilité du facteur de cause commune : $\beta = 2\%$
- Selon la norme EN/CEI 62061, avec une hypothèse d'intervalle d'essai d'épreuve de 1 an, la probabilité de panne dangereuse (PFH) du sous-système d'arrêt d'urgence XBTGH est $\text{PFH}_{\text{DSSD}} = 2,88 \times 10^{-8}$.

REMARQUE : La valeur λ_D du sous-système d'arrêt d'urgence XBTGH dépend fortement du bouton d'arrêt d'urgence. En tant que composant électromécanique, le λ_D du bouton d'arrêt d'urgence se base sur la durée de vie des composants et la fréquence du cycle de fonctionnement (hypothèse de pire cas : 1 cycle de fonctionnement par heure et 8760 heures de fonctionnement par an).

Vous trouverez ci-dessous un calcul détaillé du λ_D par canal :

$$\lambda_{d \text{ canal1XBTGH}} = \lambda_{d \text{ canal XBTGH}} = \frac{0,1 \times n_{op}}{B_{10d}} + \frac{1}{MTTF_{d(XBTGH/C\grave{a}ble/Bo\^{\i}te \text{ de d\^e}rivation)}}$$

Avec :

$$MTTF_{d(XBTGH/C\grave{a}ble/Bo\^{\i}te \text{ de d\^e}rivation)} > 8\,000 \text{ ans}$$

$$B_{10d} = 100\,000 \text{ cycles}$$

$$n_{op} = \text{Nombre moyen de cycles par an}$$

FONCTION DE COMMANDE D'ACTIVATION

Normes de s curit 

Le dispositif d'activation Magelis XBT GH est con u pour  tre int gr  dans la fonction de dispositif d'activation des machines quand l' tat s r de la fonction est la coupure d' nergie au d clenchement.

Le syst me   dispositif d'activation Magelis XBT GH s'utilise dans le cadre d'une strat gie compl te de r duction des risques.

Assurez-vous que l' quipement, son installation et la configuration associ e sont conformes   votre  valuation des risques et   la strat gie de r duction des risques associ s.

Pour la conception, l'installation ou l'utilisation de tout dispositif d'activation, tel que le Magelis XBT GH, vous devez vous assurer de respecter les normes et r glementations nationales et internationales pertinentes pour votre application.

Les r glementations nationales et internationales de s curit  des machines sp cifiques de l'application doivent  tre respect es, par exemple :

- EN 12100, S curit  des machines : Notions fondamentales, principes g n raux de conception
- EN 60204-1, S curit  des machines :  quipement  lectrique des machines
- EN ISO 13849-1, S curit  des machines : Parties des syst mes de commande relatives   la s curit  et Principes g n raux de conception

Architecture mat rielle

Le sch ma ci-dessous correspond   une fonction d'activation d'un XBT GH unique. La commande d'activation est assur e par un verrouillage de la fonction de commande   activation manuelle.

Quand le syst me est :

- activ  : le fonctionnement de la machine peut  tre lanc  par une commande de d marrage s par e
- d sactiv  : une fonction d'arr t est lanc e pour emp cher le lancement du fonctionnement de la machine

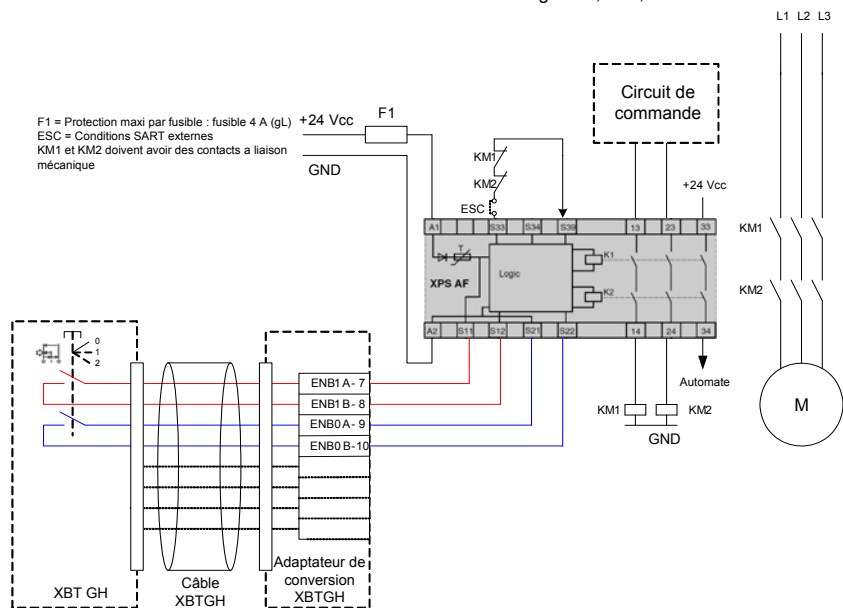
L'activation de l'interrupteur d'activation   3 positions, en l'enfon ant en position interm diaire, envoie un signal au reste du syst me pour autoriser la commande des pi ces mobiles de la machine.

Le signal est supprim  quand :

- l'interrupteur d'activation   3 positions n'est pas enfonc  (rel ch )
- l'interrupteur d'activation   3 positions est enfonc  dans la position la plus int rieure (enfonc    fond)
- le XBT GH est d branch 
- il y a perte d'alimentation du circuit de s curit 
- un d faut interne est d tect 

Dans l'exemple suivant, le dispositif de surveillance est un relais de s curit  pour surveillance des circuits d'arr t d'urgence : r f rence Schneider Electric XPSAF5130 (gamme de produits Preventa).

Le module XPSAF5130 fournit trois sorties de s curit  de cat gorie d'arr t 0 (EN/ISO 13850 et EN 60204-1) sur la figure ci-dessous.



L'architecture ci-dessus se base sur deux canaux avec surveillance croisée. Le relais de surveillance de sécurité vérifie en permanence les signaux des contacts ENB0A/E0B (canal 1) et ENB1A/E1B (canal 2) de l'interrupteur d'activation Magelis XBT GH. Tant que les deux circuits sont fermés, le relais de surveillance de sécurité autorise le circuit de commande à commander les contacteurs du moteur.

Dès que le contacteur d'activation est relâché, enfoncé à fond ou détecte un erreur sur le canal 1 ou le canal 2, le relais de surveillance de sécurité ouvre les deux contacteurs du moteur de la machine ou du système.

Le relais de sécurité vérifie aussi la position des contacteurs du moteur par le contact miroir. Si un contacteur reste fermé sur activation d'arrêt, le redémarrage ne sera alors autorisé que si les conditions de défaut sont éliminées.

Pour réduire au minimum la possibilité de contournement de l'interrupteur d'activation, la sortie pour automate (33/34) du relais de sécurité peut permettre de vérifier la désactivation de la fonction de commande d'activation avant de relancer le fonctionnement de la machine.

REMARQUES : Quand l'écran tactile XBT GH est débranché :

1. le circuit de sécurité s'ouvre et le système s'arrête immédiatement
2. il est recommandé de le maintenir à l'écart de l'équipement en fonctionnement parce qu'en cas d'urgence l'opérateur peut tenter d'arrêter le système par l'arrêt d'urgence intégré du XBT GH qui ne fait plus partie du système

Propriétés probabilistes

La fonction de commande d'activation Magelis XBT GH a été conçue et validée pour utilisation dans les fonctions de sécurité jusqu'à :

- EN 954-1 : Catégorie 3, un défaut unique ne conduit pas à la perte de la fonction de sécurité, certains mais pas tous les défauts sont détectés au plus tard à la prochaine intervention de la fonction de sécurité
- EN/ISO 13849-1 : Niveau de performances (PL) PLD

Les propriétés de sécurité du sous-système interrupteur d'activation XBT GH (XBT GH, câble XBT GH et boîte de dérivation XBT GH) selon EN ISO 13849-1, en cas d'utilisation selon les principes d'architecture présentés dans « Fonction de commande d'activation catégorie 3, PLd, SIL 2 » en page 31 ci-dessus (Fonction de commande d'activation catégorie 3, PLd, SIL 2) :

- Architecture catégorie 3
- Temps moyen avant panne dangereuse de chaque canal ($MTTF_d$) : Elevé ($MTTF_d = 175$ ans avec une hypothèse de 1 cycle de fonctionnement par heure et 8760 heures de fonctionnement par an)
- Couverture de diagnostic (DC) : Faible, avec des diagnostics assurés par le relais de surveillance de sécurité (DC = 75 %)
- Des mesures contre les causes de panne communes (CCF) sont appliquées
- CEI 62061 : Niveau d'intégrité de sécurité SIL CL 2

Le dispositif d'activation Magelis XBT GH (y compris câble et boîte de dérivation) convient donc pour utilisation dans les fonctions de sécurité d'un dispositif d'activation jusqu'au niveau PLd.

REMARQUE : La valeur $MTTF_d$ du dispositif d'activation Magelis XBT GH dépend de l'interrupteur d'activation. En tant que composant électromécanique, le $MTTF_d$ de l'interrupteur d'activation se base sur la durée de vie des composants et la fréquence du cycle de fonctionnement (hypothèse de pire cas : 1 cycle de fonctionnement par heure et 8760 heures de fonctionnement par an).

Vous trouverez ci-dessous un calcul détaillé du $MTTF_d$ par canal :

$$MTTF_{d\text{ Canal1XBTGH}} = MTTF_{d\text{ Canal2XBTGH}} = \frac{1}{\frac{0,1 \times n_{op}}{B_{10d}} + \frac{1}{MTTF_{d(XBTGH/C\grave{a}ble/Bo\grave{ı}te\ de\ d\acute{e}rivation)}}$$

Avec :

$$MTTF_{d(XBTGH/C\grave{a}ble/Bo\grave{ı}te\ de\ d\acute{e}rivation)} > 8\ 000\ \text{ans}$$

$$B_{10d} = 100\ 000\ \text{cycles}$$

$$n_{op} = \text{Nombre moyen de cycles par an}$$

Si le sous-système dispositif d'activation Magelis XBT GH (qui inclut le Magelis XBTGH, le câble Magelis XBT GH et la boîte de dérivation Magelis XBT GH) est conforme à l'architecture décrite dans « Fonction de commande d'activation catégorie 3, PLd, SIL 2 » en page 31, les propriétés de sécurité selon EN IEC 6206 sont :

- Fraction de panne sûre (SFF) : SFF >80%
- Architecture de sous-système type B
- La tolérance au défaut matériel est 1
- Les contraintes d'architecture sur le sous-système sont atteintes jusqu'au maximum SIL2
- Taux de panne équivalent par canal $\lambda_{De1} = \lambda_{De2} = 1,01 \times 10^{-6}/h$ (avec une hypothèse de pire cas de un cycle de fonctionnement par heure et 8760 heures de fonctionnement par an)
- Susceptibilité du facteur de cause commune : $\beta = 2\%$

Selon EN IEC 62061 et avec une hypothèse de durée de vie de 10 ans, la probabilité de panne dangereuse (PFH) du sous-système dispositif d'activation XBTGH est $PFH_{DSSD} < 10^{-7}$.

REMARQUE : Le λ_D du sous-système de commande d'activation XBTGH dépend fortement de l'interrupteur d'activation à 3 positions. En tant que composant électromécanique, le λ_D de l'interrupteur d'activation à 3 positions se base sur la durée de vie des composants et la fréquence du cycle de fonctionnement (hypothèse de pire cas : 1 cycle de fonctionnement par heure et 8760 heures de fonctionnement par an).

Vous trouverez ci-dessous un calcul détaillé du λ_D (par an) par canal :

$$\lambda_{d\ \text{canal1 XBTGH}} = \lambda_{d\ \text{canal2 XBTGH}} = \frac{0,1 \times n_{op}}{B_{10d}} + \frac{1}{MTTF_{d(XBTGH/C\grave{a}ble/Bo\grave{ı}te\ de\ d\acute{e}rivation)}}$$

Avec :

$MTTF_d$ (XBTGH/Câble/Boîte de dérivation) > 8 000 ans

B_{10d} = 100 000 cycles

n_{op} = Nombre moyen de cycles par an

FONCTIONNEMENT ET ENTRETIEN

Installation

Les instructions d'installation concernant l'équipement de surveillance utilisé doivent être respectées.

Fonctionnement

Si le câble de fixation de terminal portable Magelis XBT GH n'est pas posé de façon définitive, assurez-vous qu'il est maintenu à l'écart pour éviter tout accident pouvant entraîner la chute au sol du terminal portable.

Le câble Magelis XBT GH ne doit pas pouvoir être pincé ni entrer en contact avec des arêtes vives, qui pourraient endommager le câble ou sa gaine.

Un arrêt d'urgence Magelis XBT GH non connecté peut être confondu avec un dispositif de commande actif. Eloignez-le des zones dangereuses.



AVERTISSEMENT

OPÉRATION D'ÉQUIPEMENT NON INTENTIONNELLE

- Conservez un Magelis XBT GH débranché à l'écart des zones dangereuses.
- N'utilisez pas un terminal Magelis XBT GH dont la connexion ou le câble d'armoire de commutation serait endommagé.

Le non-respect de ces instructions peut conduire à des blessures graves ou mortelles, ou à des dommages matériels.



AVERTISSEMENT

OPÉRATION D'ÉQUIPEMENT NON INTENTIONNELLE

- Vérifiez l'arrêt d'urgence et la fonction de commande d'activation lors de la première connexion du terminal portable Magelis XBT GH.
- Effectuez un essai d'entretien périodique, au moins une fois par an, pour vérifier l'arrêt d'urgence et la fonction de commande d'activation.

Le non-respect de ces instructions peut conduire à des blessures graves ou mortelles, ou à des dommages matériels.

CARACTÉRISTIQUES FONCTIONNELLES ET ENVIRONNEMENTALES PRINCIPALES

Magelis XBT GH

Physique	Température de fonctionnement	0 à +40 °C (32 à 104 °F)
	Température de stockage	-20 à +60 °C (-4 à 140 °F)
	Humidité ambiante	10 à 90% HR (Température au bulbe humide : 39 °C (102,2 °F) maxi – sans condensation)
	Humidité de stockage	10 à 90% HR (Température au bulbe humide : 39 °C (102,2 °F) maxi – sans condensation)
	Poussière	0,1 mg/m ³ et moins (non conductrice)
	Degré de pollution	A utiliser dans un environnement de degré de pollution 2
	Gaz corrosifs	Aucun
	Pression atmosphérique (altitude de fonctionnement)	800 à 1 114 hPa (2 000 m [6 561 ft] max.)

Adaptateur de conversion Magelis XBT GH

Physique	Température ambiante d'utilisation	0 à +50 °C ¹ (32 à 122 °F)
	Température de stockage	-20 à +60 °C (-4 à 140 °F)
	Humidité ambiante	10 à 90% HR (Température au bulbe humide : 39 °C (102,2 °F) maxi – sans condensation)
	Humidité de stockage	10 à 90% HR (Température au bulbe humide : 39 °C (102,2 °F) maxi – sans condensation)
	Poussière	0,1 mg/m ³ et moins (non conductrice)
	Degré de pollution	A utiliser dans un environnement de degré de pollution 2
	Gaz corrosifs	Aucun
	Pression atmosphérique (altitude de fonctionnement)	800 à 1 114 hPa (2 000 m [6 561 ft] max.)

¹La température ambiante de fonctionnement du XBT GH est de 0 à 40 °C (32 à 104 °F).

Câble de raccordement XBT ZGHL**

Standard	UL1571
Plage de température	-10 à +60 °C (-14 à 140 °F)
Matériau du conducteur	Fil de cuivre, étamage
Dimension du conducteur (signaux d'arrêt d'urgence)	AWG22
Diamètre extérieur du conducteur	0,76 mm (0,03 po)
Diamètre extérieur de l'isolant	1,2 mm (0,047 po)
Résistance du conducteur (20 °C)	Maximum 59,4 Ω / km (95,6 Ω / mile)
Longueur	XBT ZGHL3 : 3 m (9 ft 10,1 po) XBT ZGHL10 : 10 m (32 ft 9,7 po)

CARACTÉRISTIQUES TECHNIQUES DES COMPOSANTS

Bouton d'arrêt d'urgence

Normes	EN60947-5-1, EN60947-5-5, UL508
Matériau de contact :	Argent plaqué or
Résistance de contact	50 mΩ maximum (valeur initiale)
Durée de vie mécanique	250 000 cycles ¹
Durée de vie électrique	100 000 cycles ¹
Degré de protection	IP 65
Courant de fonctionnement nominal selon CEI 60947-5-1	Contacts principaux (NC) : (DC13) U _e = 30 V / I _e = 1 A Contact de surveillance (NO) (DC13) U _e = 30 V / I _e = 1 A
B _{10d}	100 000 cycles ¹

¹Le nombre réel de cycles dépend de l'environnement, du rapport cyclique et de la charge.

Interrupteur d'activation à 3 positions

Normes	EN 60947-5-1, EN 60947-5-8, UL508
Résistance de contact	50 mΩ maximum (valeur initiale)
Durée de vie mécanique	Position 1→2 : 100 000 000 actionnements minimum Positions 1→2→3→1 : 100 000 actionnements minimum
Durée de vie électrique	100 000 cycles minimum sur la charge nominale
Degré de protection	IP65
Courant de fonctionnement nominal selon CEI 60947-5-1	Contacts principaux (NC) : (DC13) U _e = 30 V / I _e = 1 A Contact de surveillance (NO) (DC13) U _e = 30 V / I _e = 1 A
B _{10d}	100 000 cycles ¹

¹Le nombre réel de cycles dépend de l'environnement, du rapport cyclique et de la charge.

Botón de parada de emergencia Magelis XBT GH

Hoja de instrucciones

Conforme con EN ISO 13849-1 y IEC 62061

04/2016

Traducción del documento original anglès

ACERCA DEL DOCUMENTO

En este documento se describe el botón de parada de emergencia Magelis XBT GH, con especial atención al modo en que cumple los requisitos de seguridad de ISO 13849-1 e IEC 62061. Proporciona información detallada acerca de cómo diseñar y mantener el sistema correctamente para proteger a las personas y evitar daños en el entorno, el equipo y la producción.

El botón de parada de emergencia Magelis XBT GH está diseñado para su integración en la función de parada de emergencia de las máquinas hasta el nivel de rendimiento/nivel de integridad de seguridad Ple/SIL3.

De acuerdo con EN ISO 12100, la parada de emergencia es una función diseñada para:

- Impedir que aumenten o reduzcan riesgos existentes para las personas, la maquinaria o el trabajo en curso.
- Que la inicie una sola acción humana.

Esta documentación está destinada a personal cualificado familiarizado con la seguridad funcional y Magelis XBT GH. La puesta en funcionamiento y el manejo del terminal Magelis XBT GH en una pieza relacionada con la seguridad de un sistema de control sólo pueden llevarlos a cabo personas autorizadas para poner en marcha y manejar sistemas de acuerdo con los estándares de seguridad establecidos.

NOTA DE VALIDEZ

Los datos y las ilustraciones de esta documentación no son vinculantes. Schneider Electric se reserva el derecho de modificar cualquiera de nuestros productos, según nuestra política de desarrollo continuo de productos. La información incluida en este documento está sujeta a cambios sin previo aviso y no debe interpretarse como un compromiso por parte de Schneider Electric.

DOCUMENTOS RELACIONADOS

Puede descargar las publicaciones técnicas de Schneider Electric y otra información técnica de nuestro sitio web www.schneider-electric.com.

NOTA: Todas las restricciones relativas a la seguridad eléctrica y el cableado externo deben ajustarse a los documentos de esta tabla y el contenido de este manual.

Referencia	Designación	Origen
AAV89570	Magelis XBT GH – Guía de referencia rápida	Schneider Electric
35010372	Magelis XBT GT, XBT GK, XBT GH – Manual del usuario	Schneider Electric
AAV89571	Magelis XBT GH – Manual de instalación de Junction Box	Schneider Electric
No publicado en el momento de la impresión. Consulte www.schneider-electric.com	Componentes de seguridad para máquinas – Certificado de examen de tipo CE	INERIS

Schneider
Electric

CONFORMIDAD CON DIRECTIVAS EUROPEAS

Schneider Electric declara que el botón de parada de emergencia Magelis XBTGH cumple las normativas de las siguientes directivas de maquinaria de la CE 2006/42/CE y que los estándares y/o las especificaciones técnicas abajo indicados han sido aplicados y validados por INERIS.

NORMAS UTILIZADAS

Referencia	Designación
EN ISO 13850: 2006	Seguridad de la maquinaria – Parada de emergencia – Principios del diseño
EN ISO 13849-1: 2008	Seguridad de la maquinaria – Piezas relacionadas con la seguridad de los sistemas de control – Parte 1: Principios generales del diseño
EN ISO 13849-2: 2015	Seguridad de la maquinaria – Piezas relacionadas con la seguridad de los sistemas de control – Parte 2: Validación
EN IEC 62061: 2005	Seguridad de la maquinaria – Seguridad funcional de los sistemas de control eléctricos, electrónicos y electrónicos programables relacionados con la seguridad

TENGA EN CUENTA LO SIGUIENTE

Sólo personal cualificado debe instalar, poner en funcionamiento, utilizar y realizar el mantenimiento del equipo eléctrico. Schneider Electric no asume las responsabilidades que pudieran derivarse de la utilización de este material.

INFORMACIÓN RELACIONADA CON EL PRODUCTO

Póngase en contacto con nosotros si tiene sugerencias para mejoras o modificaciones o ha hallado errores en esta publicación.

Queda prohibido reproducir cualquier parte de este documento bajo ninguna forma o medio posible, ya sea electrónico, mecánico o fotocopia, sin autorización por escrito de Schneider Electric.

Todas las reglamentaciones de seguridad estatales, regionales y locales pertinentes se deben respetar al instalar y utilizar este producto. Por motivos de seguridad y para garantizar la conformidad con los datos del sistema documentados, la reparación de los componentes sólo debe llevarla a cabo el fabricante.

Cuando se utilicen controladores en aplicaciones con requisitos técnicos de seguridad, siga las instrucciones pertinentes.

Consulte:

- ISO 13849-1, "Seguridad de la maquinaria – Piezas relacionadas con la seguridad de los sistemas de control – Parte 1: Principios generales del diseño".
- IEC 62061, "Seguridad de la maquinaria – Seguridad funcional de los sistemas de control eléctricos, electrónicos y electrónicos programables relacionados con la seguridad".

Los requisitos de PL y SIL se basan en los estándares vigentes en el momento de la certificación.



ADVERTENCIA

FUNCIONAMIENTO IMPREVISTO DEL EQUIPO

- Comprenda en profundidad las aplicaciones y el entorno definidos para:
 - La función de parada de emergencia: Nivel de rendimiento (PL)e en ISO 13849-1 y nivel de integridad de seguridad (SIL) 3 en IEC 62061.
 - La función de dispositivo de activación: Nivel de rendimiento (PL)d en ISO 13849-1 y nivel de integridad de seguridad (SIL) 2 en IEC 62061.
- No sobrepase la clasificación SIL3 en la aplicación de este producto.

Si no se observan estas instrucciones, pueden producirse heridas graves o la muerte, o daños en el equipo.

TÉRMINOS UTILIZADOS EN ESTE DOCUMENTO

Los términos de esta tabla solo corresponden a la clasificación SIL3 cuando se usan en este documento:

Requisitos de seguridad	ISO 13849-1
Nivel de integridad de seguridad	IEC 62061
Seguridad funcional	IEC 62061
Función de seguridad	ISO 13849-1
Estándar de seguridad	ISO 13849-1
Seguridad de la maquinaria	ISO 13849-1
Piezas relacionadas con la seguridad de los sistemas de control	ISO 13849-1
Principios de seguridad bien comprobados	ISO 13849-2
Relé de supervisión de seguridad (Preventa)	XPSAF5130
Fallo	IEC 60204-1
Fallo	IEC 60204-1
Error peligroso	ISO 13849-1
Riesgo	IEC 60204-1
Emergencia, parada de emergencia y función de parada de emergencia	ISO 13850
Control de activación	IEC 60204-1
Dispositivo de activación	ISO 12100

FUNCIÓN DE PARADA DE EMERGENCIA

Requisitos de seguridad

El botón de parada de emergencia Magelis XBT GH está diseñado para su integración en la función de parada de emergencia de las máquinas cuando el estado de seguridad de dicha función es cortar la energía para dispararse.

El sistema de parada de emergencia Magelis XBT GH se utiliza como parte de una completa estrategia de reducción de riesgos. Asegúrese de que el dispositivo, su instalación y la configuración asociada cumplen su evaluación de los riesgos y la estrategia de reducción de riesgos asociada.

Al diseñar, instalar o manejar un dispositivo de parada de emergencia; como la parada de emergencia Magelis XBT GH, debe asegurarse de que se cumplen las normas y normativas nacionales e internacionales que afecten a su aplicación. Deben cumplirse las normativas de seguridad de la maquinaria nacionales e internacionales específicas para la aplicación; por ejemplo:

- EN 12100, seguridad de maquinaria, conceptos básicos, principios generales del diseño
- EN 60204, seguridad de la maquinaria, equipo eléctrico de máquinas
- EN ISO 13850, seguridad de la maquinaria, parada de emergencia, principios del diseño
- ISO 13849-1, seguridad de la maquinaria, piezas relacionadas con la seguridad de los sistemas de control, principios generales del diseño

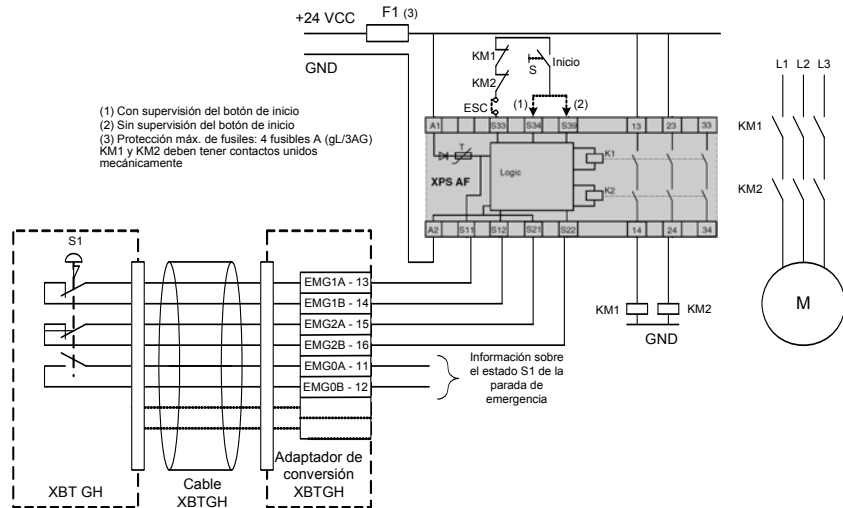
Diseño de la arquitectura del hardware

El siguiente diagrama es un ejemplo de diagrama de parada de emergencia de un solo XBT GH. La activación del botón de parada de emergencia o la desconexión de la unidad Magelis XBT GH envía una señal al resto del sistema para empezar a detener las piezas móviles de la máquina.

En el siguiente ejemplo, el dispositivo de supervisión es un relé de supervisión de seguridad para supervisar los circuitos de parada de emergencia: referencia XPSAF5130 (Schneider Electric, gama de productos Preventa).

El módulo XPSAF5130 proporciona tres salidas de categoría de parada 0 (EN ISO 13850, EN 60204-1).

Figura 1 Categoría de la función de parada de emergencia 4, PLe, SIL 3



La anterior arquitectura se basa en dos canales con supervisión cruzada.

El relé de supervisión de seguridad comprueba continuamente las señales de los contactos EMG1A/EMG1B (Canal 1) y EMG2A/EMG2B (Canal 2) del botón de parada de emergencia Magelis XBT GH. Mientras ambos circuitos están cerrados, el relé de supervisión de seguridad cierra los conectores del motor al pulsar el botón de inicio.

En cuanto se pulsa el botón de parada de emergencia, o en caso de cualquier fallo detectado en el canal 1 o en el canal 2, el relé de supervisión de seguridad abrirá los dos conectores del motor de la máquina o el sistema.

A continuación, sólo se permitirá el reinicio si se suprimen las condiciones de error al pulsar el botón de inicio.

El relé de supervisión de seguridad también comprueba la posición de los conectores del motor a través del contacto de espejo. En caso de que un conector permanezca cerrado al actuar la parada de emergencia, el otro conector realizará la función de parada de emergencia y sólo se permitirá el reinicio si se eliminan las condiciones de error.

NOTAS: Cuando la pantalla táctil XBT GH se desenchufa:

1. El circuito de seguridad se abre y el sistema se detiene inmediatamente
2. Se recomienda mantenerse alejado del equipo operativo porque, en caso de emergencia, el operador puede intentar detener el sistema con el botón de emergencia integrado en XBT GH que ya no forma parte del sistema

Propiedades de probabilidad

El sistema de parada de emergencia Magelis XBT GH ha sido diseñado y validado para su uso en la función de seguridad hasta:

- EN ISO 13849-1: Nivel de rendimiento (Performance level, PL) PLe

Las propiedades de seguridad del subsistema de parada de emergencia XBTGH (XBT GH, cable XBT GH y junction box XBT GH) de acuerdo con EN ISO 13849-1, si se usa de acuerdo con el principio de arquitectura mostrado en "Categoría de la función de parada de emergencia 4, PLe, SIL 3" en la página 40:

- Categoría de arquitectura 4
- Tiempo medio de fallo peligroso de cada canal (MTTF_d): Alto (MTTF_d = 113 años con la suposición del peor caso de 1 ciclo de funcionamiento por hora y 8760 horas de funcionamiento al año)
- Cobertura del diagnóstico (Diagnostic Coverage, DC): Alta, todos los diagnósticos se realizan mediante el relé de supervisión de seguridad (DC = 99%)
- Se aplican medidas contra un fallo de causa común (CCF)

Por tanto, el sistema de parada de emergencia Magelis XBT GH (incluido el cable y la caja de conexiones) es adecuado para su uso en la función de seguridad de parada de emergencia hasta PLe.

NOTA: el MTTF_d del subsistema de parada de emergencia Magelis XBT GH depende en gran medida del botón de parada de emergencia. Como un componente electromecánico, el MTTF_d del botón de parada de emergencia se basa en la duración de los componentes de la frecuencia del ciclo operativo (suposición de peor caso: 1 ciclo de funcionamiento por hora y 8760 horas de funcionamiento al año).

A continuación se proporciona un cálculo detallado de MTTF_d por canal:

$$MTTF_{d \text{ Canal1XBTGH}} = MTTF_{d \text{ Canal2XBTGH}} = \frac{1}{\frac{0,1 \lambda n_{op}}{B_{10d}} + \frac{1}{MTTF_{d(XBTGH/Cable/Junction \ box)}}}$$

Con:

$$MTTF_{d(XBTGH/Cable/Junction \ box)} > 8.000 \text{ años}$$

$$B_{10d} = 100.000 \text{ operaciones}$$

$$n_{op} = \text{número medio de operaciones anuales}$$

- IEC 62061: Nivel de intensidad de seguridad SIL CL 3

Las propiedades de seguridad del subsistema de parada de emergencia Magelis XBT GH (incluido Magelis XBT GH, cable Magelis XBT GH y junction box Magelis XBT GH) de acuerdo con EN/IEC 62061, si se usa de acuerdo con el principio de arquitectura mostrado en "Categoría de la función de parada de emergencia 4, PLe, SIL 3" en la página 40:

- Fracción de fallo seguro (SFF): SFF > 99% para cada canal (SFF = 99,8%)
- Arquitectura del subsistema de tipo D
- Cobertura de diagnóstico DC = 99%, todos los diagnósticos se realizan mediante el relé de supervisión de seguridad
- Frecuencia de error equivalente por canal $\lambda_{De1} = \lambda_{De2} = 1,01 \times 10^{-6} / h$ (con la suposición del peor caso de 1 ciclo de funcionamiento por hora y 8760 horas de funcionamiento al año)
- Susceptibilidad de factor de causa común: $\beta = 2\%$

De acuerdo con EN/IEC 62061, y una suposición de intervalo de comprobación de 1 año, la probabilidad de error peligroso (PFH) del subsistema de parada de emergencia XBTGH es de $PFH_{DssD} = 2,88 \times 10^{-8}$.

NOTA: El λ_D del subsistema de parada de emergencia XBTGH depende en gran medida del botón de parada de emergencia. Como un componente electromecánico, λ_D del botón de parada de emergencia se basa en la duración de los componentes de la frecuencia del ciclo operativo (suposición de peor caso: 1 ciclo de funcionamiento por hora y 8760 horas de funcionamiento al año).

A continuación se proporciona un cálculo detallado de λ_D por canal:

$$\lambda_{d \text{ Canal1XBTGH}} = \lambda_{d \text{ Canal1 XBTGH}} = \frac{0,1 \times n_{op}}{B_{10d}} + \frac{1}{MTTF_{d(XBTGH/Cable/Junction box)}}$$

Con:

$$MTTF_{d(XBTGH/Cable/Junction box)} > 8.000 \text{ años}$$

$$B_{10d} = 100.000 \text{ operaciones}$$

$$n_{op} = \text{número medio de operaciones anuales}$$

FUNCIONES DE CONTROL DE ACTIVACIÓN

Requisitos de seguridad

El dispositivo de activación Magelis XBT GH está diseñado para su integración en la función de dispositivo de activación de las máquinas cuando el estado de seguridad de la función es cortar la energía para dispararse.

El sistema de dispositivo de activación Magelis XBT GH se utiliza como parte de una completa estrategia de reducción de riesgos.

Asegúrese de que el dispositivo, su instalación y la configuración asociada cumplen su evaluación de los riesgos y la estrategia de reducción de riesgos asociada.

Al diseñar, instalar o manejar un dispositivo de activación; como el dispositivo de activación Magelis XBT GH, debe asegurarse de que se cumplen las normas y normativas nacionales e internacionales que afecten a su aplicación.

Deben cumplirse las normativas de seguridad de la maquinaria nacionales e internacionales específicas para la aplicación; por ejemplo:

- EN 12100, seguridad de la maquinaria: conceptos básicos, principios generales del diseño
- EN 60204-1, seguridad de la maquinaria: equipo eléctrico de máquinas
- EN ISO 13849-1, seguridad de la maquinaria: piezas relacionadas con la seguridad de los sistemas de control, principios generales del diseño

Diseño de la arquitectura del hardware

El siguiente diagrama es un función de activación de un solo XBT GH. El control de activación es un bloqueo de función de control activado manualmente.

Cuando:

- activado: se puede iniciar el funcionamiento de la máquina mediante un control de inicio independiente
- desactivado: se inicia una función de parada que impide que se inicie el funcionamiento de la máquina

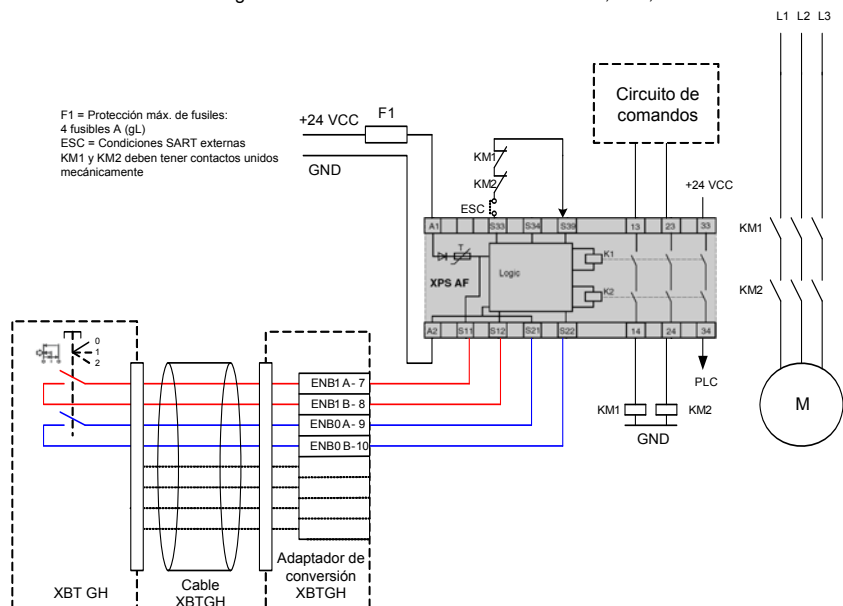
La activación del interruptor de activación con 3 posiciones, pulsándolo hasta la posición intermedia, envía una señal al resto del sistema para permitir controlar las piezas móviles de la máquina.

La señal se elimina cuando:

- El interruptor de activación con 3 posiciones no está pulsado
- El interruptor de activación con 3 posiciones está completamente presionado
- El XBT GH está desenchufado
- Existe una pérdida de alimentación del circuito de seguridad
- Se ha detectado un fallo interno

En el siguiente ejemplo, el dispositivo de supervisión es un relé de supervisión de seguridad para supervisar los circuitos de parada de emergencia: Schneider Electric, referencia XPSAF5130 (gama de productos Preventa).

El módulo XPSAF5130 proporciona tres salidas de categoría de parada 0 (EN/ISO 13850 y EN 60204-1) en la siguiente figura.



La anterior arquitectura se basa en dos canales con supervisión cruzada. El relé de supervisión de seguridad comprueba continuamente las señales de los contactos ENB0A/E0B (Canal 1) y ENB1A/E1B (Canal 2) del interruptor de activación Magelis XBT GH. Mientras ambos circuitos están cerrados, el relé de supervisión de seguridad permite que el circuito de mando controle los conectores del motor.

En cuanto el interruptor de activación se suelta, se pulsa totalmente o se detecta un error en el canal 1 o en el canal 2, el relé de supervisión de seguridad abre los dos conectores del motor de la máquina o el sistema.

El relé de supervisión de seguridad también comprueba la posición de los conectores del motor a través del contacto de espejo. Si un conector permanece cerrado en una parada, solo se puede reiniciar si se elimina la condición del error.

Para minimizar la posibilidad de frustrar el interruptor de activación, la salida del PLC (33/34) del relé de seguridad puede usarse para comprobar la desactivación de la función de control de activación antes de que se reinicie el funcionamiento de la máquina.

NOTAS: Cuando la pantalla táctil XBT GH se desenchufa:

1. El circuito de seguridad se abre y el sistema se detiene inmediatamente
2. Se recomienda mantenerse alejado del equipo operativo porque, en caso de emergencia, el operador puede intentar detener el sistema con el botón de emergencia integrado en XBT GH que ya no forma parte del sistema

Propiedades de probabilidad

La función de control de activación Magelis XBT GH ha sido diseñada y validada para su uso en la función de seguridad hasta:

- EN 954-1: Categoría 3, un solo error no genera la pérdida de la función de seguridad, se detectan algunos errores, pero no todos, en o antes de la siguiente demanda de la función de seguridad
- EN/ISO 13849-1: Nivel de rendimiento (PL) PLd

Las propiedades de seguridad del subsistema del interruptor de activación XBT GH (XBT GH, cable XBT GH y junction box XBT GH) de acuerdo con EN ISO 13849-1, si se usa de acuerdo con el principio de arquitectura mostrado en "Categoría de la función de control de activación 3, PLd, SIL 2" en la página 43 (Categoría de la función de control de activación 3, PLd, SIL 2):

- Categoría de arquitectura 3
- Tiempo medio de fallo peligroso de cada canal ($MTTF_d$): Alto ($MTTF_d = 175$ años con la suposición de 1 ciclo de funcionamiento por hora y 8760 horas de funcionamiento al año)
- Cobertura del diagnóstico (Diagnostic Coverage, DC): Baja, los diagnósticos se realizan mediante el relé de supervisión de seguridad (DC = 75 %)
- Se aplican medidas contra un fallo de causa común (CCF)
- IEC 62061: Nivel de intensidad de seguridad SIL CL 2

Por tanto, el dispositivo de activación Magelis XBT GH (incluido el cable y la caja de conexiones) es adecuado para su uso en la función de seguridad del dispositivo de activación hasta PLd.

NOTA: El $MTTF_d$ del dispositivo de activación Magelis XBT GH depende del interruptor de activación. Como un componente electromecánico, el $MTTF_d$ del interruptor de activación se basa en la duración de los componentes de la frecuencia del ciclo operativo (suposición de peor caso: 1 ciclo de funcionamiento por hora y 8760 horas de funcionamiento al año).

A continuación se proporciona un cálculo detallado de $MTTF_d$ por canal:

$$MTTF_{d \text{ Canal1XBTGH}} = MTTF_{d \text{ Canal2XBTGH}} = \frac{1}{\frac{0,1 \cdot n_{op}}{B_{10d}} + \frac{1}{MTTF_{d(XBTGH/Cable/Junction \ box)}}}$$

Con:

$$MTTF_{d(XBTGH/Cable/Junction \ box)} > 8.000 \text{ años}$$

$$B_{10d} = 100.000 \text{ operaciones}$$

$$n_{op} = \text{número medio de operaciones anuales}$$

Si el subsistema del dispositivo de activación Magelis XBT GH (que incluye Magelis XBTGH, el cable Magelis XBT GH y junction box Magelis XBT GH) está de acuerdo con la arquitectura mostrada en "Categoría de la función de control de activación 3, PLd, SIL 2" en la página 43, las propiedades relacionadas con la seguridad de acuerdo con EN IEC 6206 son:

- Fracción de fallo seguro (SFF): SFF > 80%
- Arquitectura del subsistema de tipo B
- La tolerancia a errores de hardware es 1
- Las restricciones arquitectónicas del subsistema se cumplen hasta un máximo de SIL2
- Frecuencia de error equivalente por canal $\lambda_{De1} = \lambda_{De2} = 1,01 \times 10^{-6}/h$ (con la suposición del peor caso de un ciclo de funcionamiento por hora y 8760 horas de funcionamiento al año)
- Susceptibilidad de factor de causa común: $\beta = 2\%$

De acuerdo con EN IEC 62061, y una suposición de duración de 10 años, la probabilidad de error peligroso (PFH) del subsistema del dispositivo de activación XBTGH es $PFH_{DSSD} < 10^{-7}$.

NOTA: El λ_D del subsistema de control de activación XBTGH depende en gran medida del interruptor de activación con 3 posiciones. Como un componente electromecánico, λ_D del interruptor de activación con 3 posiciones se basa en la duración de los componentes de la frecuencia del ciclo operativo (suposición de peor caso: 1 ciclo de funcionamiento por hora y 8760 horas de funcionamiento al año).

A continuación se proporciona un cálculo detallado de λ_D (por año) por canal:

$$\lambda_{d \text{ Canal1 XBTGH}} = \lambda_{d \text{ Canal2 XBTGH}} = \frac{0,1 \times n_{op}}{B_{10d}} + \frac{1}{MTTF_d (\text{XBTGH/Cable/Junction box})}$$

Con:

$$MTTF_d (\text{XBTGH/Cable/Junction box}) > 8.000 \text{ años}$$

$$B_{10d} = 100.000 \text{ operaciones}$$

$$n_{op} = \text{número medio de operaciones anuales}$$

FUNCIONAMIENTO Y MANTENIMIENTO

Instalación

Deben seguirse las instrucciones de instalación del dispositivo de supervisión utilizado.

Funcionamiento

Si el cable de conexión del terminal de mano Magelis XBT GH no está permanentemente instalado, asegúrese de que se mantiene fuera del camino para impedir cualquier accidente que pueda hacer que el terminal de mano caiga al suelo.

El cable Magelis XBT GH no debe tener pinzamientos ni estar en contacto con ángulos afilados, que podrían dañar el cable o su funda.

Una parada de emergencia Magelis XBT GH que no esté conectada podría confundirse con un dispositivo de control activo. Manténgalo alejado de las áreas peligrosas.



ADVERTENCIA

FUNCIONAMIENTO IMPREVISTO DEL EQUIPO

- Mantenga el Magelis XBT GH desconectado apartado de las áreas peligrosas.
- No maneje el terminal Magelis XBT GH con una conexión o el cable del armario del conmutador dañados.

Si no se observan estas instrucciones, pueden producirse heridas graves o la muerte, o daños en el equipo.

Mantenimiento



ADVERTENCIA

FUNCIONAMIENTO IMPREVISTO DEL EQUIPO

- Compruebe la función de parada de emergencia y de control de activación la primera vez que conecte el terminal de mano Magelis XBT GH.
- Realice una prueba de mantenimiento periódico al menos una vez al año para comprobar el funcionamiento de la parada de emergencia y de control de activación.

Si no se observan estas instrucciones, pueden producirse heridas graves o la muerte, o daños en el equipo.

ESPECIFICACIONES PRINCIPALES DE FUNCIONAMIENTO Y AMBIENTALES

Magelis XBT GH

Físicas	Temperatura de funcionamiento	De 0 a +40 °C (de 32 a 104 °F)
	Temperatura de almacenamiento	De -20 a +60 °C (de -4 a 140 °F)
	Humedad ambiental	De 10 a 90% de humedad relativa (temperatura húmeda: 39 °C (102,2 °F) máx. – sin condensación)
	Humedad de almacenamiento	De 10 a 90% de humedad relativa (temperatura húmeda: 39 °C (102,2 °F) máx. – sin condensación)
	Polvo	0,1 mg/m ³ e inferior (niveles no conductores)
	Grado de contaminación	Uso en un entorno con un grado de contaminación 2
	Gases corrosivos	Libre de gases corrosivos
	Presión atmosférica (altitud de funcionamiento)	De 800 a 1.114 hPa (2.000 m [6.561 ft] o menos)

Adaptador de conversión Magelis XBT GH

Físicas	Temperatura ambiental de funcionamiento	De 0 a +50 °C ¹ (de 32 a 122 °F)
	Temperatura de almacenamiento	De -20 a +60 °C (de -4 a 140 °F)
	Humedad ambiental	De 10 a 90% de humedad relativa (temperatura húmeda: 39 °C (102,2 °F) máx. – sin condensación)
	Humedad de almacenamiento	De 10 a 90% de humedad relativa (temperatura húmeda: 39 °C (102,2 °F) máx. – sin condensación)
	Polvo	0,1 mg/m ³ e inferior (niveles no conductores)
	Grado de contaminación	Uso en un entorno con un grado de contaminación 2
	Gases corrosivos	Libre de gases corrosivos
	Presión atmosférica (altitud de funcionamiento)	De 800 a 1.114 hPa (2.000 m [6.561 ft] o menos)

¹La temperatura ambiental de funcionamiento de XBT GH está entre 0 y 40 °C (32 y 104 °F).

Cable de conexión XBT ZGHL**

Estándar	UL1571
Rango de temperaturas	De -20 a +60 °C (de -14 a 140 °F)
Material conductor	Cable de cobre estañado
Tamaño del conductor (señales de parada de emergencia)	AWG22
Diámetro exterior del conductor	0,76 mm (0,03 pulg.)
Diámetro exterior del aislante	1,2 mm (0,047 pulg.)
Resistencia del conductor (20 °C)	Máximo 59,4 Ω/km (95,6 Ω/milla)
Longitud	XBT ZGHL3: 3 m (9 ft 10,1 pulg.) XBT ZGHL10: 10 m (32 ft 9,7 pulg.)

DATOS TÉCNICOS DE LOS COMPONENTES

Botón de parada de emergencia

Estándares	EN60947-5-1, EN60947-5-5, UL508
Material de contacto:	Plata dorada
Resistencia de contacto	50 mΩ máximo (valor inicial)
Vida útil mecánica	250.000 operaciones ¹
Vida útil eléctrica	100.000 operaciones ¹
Grado de protección	IP65
Corriente de funcionamiento nominal conforme con IEC 60947-5-1	Contactos principales (NC): (DC13) Ue = 30 V/le = 1 A Contacto de supervisión (NO) (DC13) Ue = 30 V/le = 1 A
B _{10d}	100.000 operaciones ¹

¹El número real de operaciones varía en función del entorno, el ciclo de servicio y la carga.

Interruptor de activación con 3 posiciones

Estándares	EN 60947-5-1, EN 60947-5-8, UL508
Resistencia de contacto	50 mΩ máximo (valor inicial)
Vida útil mecánica	Position 1→ 2: 100.000.000 operaciones como mínimo Posiciones 1→ 2→ 3→ 1: 100.000 operaciones como mínimo
Vida útil eléctrica	Mínimo de 100.000 a la carga nominal
Grado de protección	IP65
Corriente de funcionamiento nominal conforme con IEC 60947-5-1	Contactos principales (NC): (DC13) Ue = 30 V/le = 1 A Contacto de supervisión (NO) (DC13) Ue = 30 V/le = 1 A
B _{10d}	100.000 operaciones ¹

¹El número real de operaciones varía en función del entorno, el ciclo de servicio y la carga.

Tasto per arresto d'emergenza Magelis XBT GH

Libretto di istruzioni

In conformità a EN ISO 13849-1 e IEC 62061

04/2016

Traduzione del documento originale inglese

INFORMAZIONI SUL DOCUMENTO

Il presente documento descrive il tasto per arresto d'emergenza Magelis XBT GH e, in particolare, la sua conformità ai requisiti di sicurezza ISO 13849-1 e IEC 62061. Fornisce informazioni dettagliate su come progettare e gestire correttamente il sistema per proteggere le persone ed evitare danni materiali all'ambiente, alle apparecchiature e alla produzione.

Il tasto per arresto d'emergenza Magelis XBT GH è stato progettato per essere integrato nella funzione di arresto d'emergenza delle macchine fino alla categoria di sicurezza Performance Level/Safety Integrity Level Pl/SIL3.

Secondo EN ISO 12100, un arresto di emergenza è una funzione destinata a:

- Prevenire o ridurre l'insorgenza di rischi alle persone, danni ai macchinari o ai lavori in corso
- Essere avviata da un singolo intervento umano

Questa documentazione è rivolta al personale qualificato a conoscenza della sicurezza funzionale e di Magelis XBT GH. La messa in servizio e il funzionamento del terminale Magelis XBT GH in una parte di un sistema di comando correlata alla sicurezza può essere affidata esclusivamente a persone autorizzate alla messa in funzione e all'utilizzo dei sistemi in conformità degli standard di sicurezza funzionale stabiliti.

NOTA SULLA VALIDITÀ

I dati e le illustrazioni riportati in questo documento non sono vincolanti. Schneider Electric si riserva il diritto di modificare i suoi prodotti in linea con la sua politica di sviluppo costante. Le informazioni di cui alla presente documentazione sono soggette a modifica senza preavviso e non sono impegnative per Schneider Electric.

DOCUMENTI PER LA CONSULTAZIONE

Le pubblicazioni tecniche di Schneider Electric e altre informazioni tecniche possono essere scaricate dal sito WEB all'indirizzo www.schneider-electric.com.

NOTA: tutte le limitazioni relative alla sicurezza elettrica e al cablaggio esterno devono seguire i documenti della presente tabella e quanto prescritto in questo manuale.

Codice di riferimento	Designazione	Origine
AAV89570	Magelis XBT GH - Guida di riferimento rapido	Schneider Electric
35010372	Manuale utente Magelis XBT GT, XBT GK, XBT GH	Schneider Electric
AAV89571	Magelis XBT GH - Manuale per l'installazione della Scatola di derivazione	Schneider Electric
Non rilasciato al momento della stampa. Vedere www.schneider-electric.com	Safety Components for Machines - EC Type Examination Certificate	INERIS

Schneider
Electric

CONFORMITÀ ALLE DIRETTIVE EUROPEE

Schneider Electric dichiara che il tasto per arresto d'emergenza Magelis XBTGH è conforme alla Direttiva Europea Macchine 2006/42/EC e che gli standard e/o le specifiche tecniche indicati di seguito sono stati applicati e convalidati da INERIS.

STANDARD UTILIZZATI

Codice di riferimento	Designazione
EN ISO 13850 : 2006	Sicurezza del macchinario - Arresto di emergenza - Principi di progettazione
EN ISO 13849-1: 2008	Sicurezza del macchinario - Parti dei sistemi di comando legate alla sicurezza - Parte 1: Principi generali per la progettazione
EN ISO 13849-2: 2015	Sicurezza del macchinario - Parti dei sistemi di comando legate alla sicurezza - Parte 2: Validazione
EN IEC 62061: 2005	Sicurezza del macchinario - Sicurezza funzionale dei sistemi di comando e controllo elettrici, elettronici ed elettronici programmabili correlati alla sicurezza

NOTA IMPORTANTE

L'installazione, l'utilizzo e la manutenzione delle apparecchiature elettriche devono essere affidati solo a personale qualificato. Schneider Electric non si assume alcuna responsabilità per eventuali conseguenze derivanti dall'uso di questo materiale.

INFORMAZIONI RELATIVE AL PRODOTTO

Sono bene accolti sia eventuali suggerimenti volti al miglioramento sia le segnalazioni di eventuali errori nella presente documentazione.

Riproduzione vietata in qualsiasi forma e con qualsiasi mezzo - elettronico o meccanico - incluso mediante fotocopiattrice, senza autorizzazione scritta di Schneider Electric.

Durante l'installazione e l'uso di questo prodotto è obbligatorio osservare tutte le norme di sicurezza locali, nazionali ed europee. Per motivi di sicurezza e per garantire la conformità alle specifiche del sistema, solo il costruttore può effettuare interventi di riparazione sui componenti.

In caso di utilizzo dei controller per applicazioni che prevedono requisiti tecnici di sicurezza, seguire le istruzioni appropriate.

Fare riferimento a:

- ISO 13849-1, "Sicurezza del macchinario - Parti dei sistemi di comando legate alla sicurezza - Parte 1: Principi generali per la progettazione".
- IEC 62061, "Sicurezza del macchinario - Sicurezza funzionale dei sistemi di comando e controllo elettrici, elettronici ed elettronici programmabili correlati alla sicurezza".

I requisiti PL e SIL sono basati sugli standard in vigore all'epoca della certificazione.

AVVISO

FUNZIONAMENTO IMPREVISTO DELL'APPARECCHIATURA

- Si prega di comprendere a fondo le applicazioni e l'ambiente definiti per:
 - funzione di arresto di emergenza: Performance Level (PL)e nell'ambito di ISO 13849-1 e Safety Integrity Level (SIL) 3 nell'ambito dell' IEC 62061
 - funzione del dispositivo di attivazione: Performance Level (PL)d nell'ambito di ISO 13849-1 e Safety Integrity Level (SIL) 2 nell'ambito dell' IEC 62061
- Non superare i valori di classificazione SIL3 nell'applicazione del presente prodotto.

Il mancato rispetto delle presenti istruzioni può comportare la morte, lesioni gravi o danni ai beni materiali.

TERMINI UTILIZZATI NEL PRESENTE DOCUMENTO

I termini in questa tabella si applicano esclusivamente alla classificazione SIL3 quando utilizzata nel presente documento:

Requisiti di sicurezza	ISO 13849-1
Livello di integrità della sicurezza	IEC 62061
Sicurezza funzionale	IEC 62061
Funzione di sicurezza	ISO 13849-1
Standard di sicurezza	ISO 13849-1
Sicurezza del macchinario	ISO 13849-1
Parti dei sistemi di comando legate alla sicurezza	ISO 13849-1
Principi di sicurezza testati a fondo	ISO 13849-2
Relè di monitoraggio di sicurezza (Preventa)	XPSAF5130
Errore	IEC 60204-1
Errore	IEC 60204-1
Guasto pericoloso	ISO 13849-1
Rischio	IEC 60204-1
Emergenza, arresto d'emergenza e funzione di arresto di emergenza	ISO 13850
Controllo di attivazione	IEC 60204-1
Dispositivo di attivazione	ISO 12100

FUNZIONE DI ARRESTO DI EMERGENZA

Requisiti di sicurezza

Il tasto per arresto d'emergenza Magelis XBT GH è stato progettato per essere integrato nella funzione di arresto d'emergenza macchina quando lo stato di sicurezza della funzione di arresto di emergenza è diseccitata.

Il sistema per arresto d'emergenza Magelis XBT GH è parte di una strategia globale di riduzione del rischio. Accertare che il dispositivo, la sua installazione e la configurazione correlata soddisfino la strategia di valutazione del rischio e la relativa riduzione del rischio.

In fase di progettazione, installazione o azionamento di un dispositivo per l'arresto d'emergenza, ad esempio un arresto d'emergenza Magelis XBT GH, è necessario accertare che siano soddisfatti i pertinenti standard e normative internazionali e nazionali. È indispensabile rispettare le normative nazionali e internazionali sui macchinari specifiche per l'applicazione, ad es.:

- EN 12100, Sicurezza del macchinario, Concetti fondamentali, principi generali di progettazione
- EN 60204, Sicurezza del macchinario, Apparecchiature elettriche delle macchine
- EN ISO 13850, Sicurezza del macchinario, Arresto di emergenza. Principi di progettazione
- ISO 13849-1, Sicurezza del macchinario, Parti dei sistemi di comando legate alla sicurezza, Principi generali di progettazione

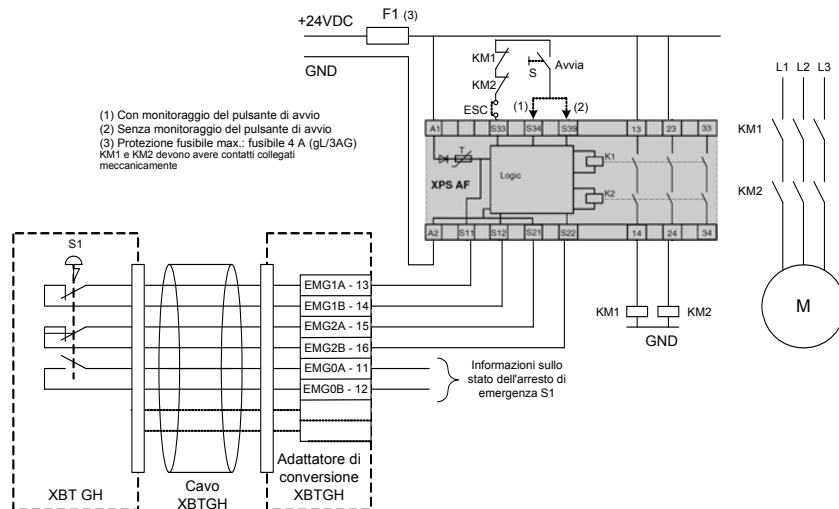
Disegno dell'architettura hardware

Lo schema seguente è un esempio di arresto d'emergenza di un singolo XBT GH. L'attivazione del tasto per arresto d'emergenza o la disconnessione dell'unità Magelis XBT GH trasmettono un segnale al resto del sistema per avviare l'arresto degli organi mobili della macchina.

Nell'esempio seguente, il dispositivo di monitoraggio è un relè di sicurezza per il monitoraggio dei circuiti dell'arresto d'emergenza: riferimento XPSAF5130 (Schneider Electric, prodotti della serie Preventa).

Il modulo XPSAF5130 è provvisto di tre uscite di sicurezza di arresto categoria 0 (EN ISO 13850, EN 60204-1).

Figura 1 Funzione dell'arresto di emergenza categoria 4, PLe, SIL 3



La suddetta architettura si basa su due canali con monitoraggio incrociato.

Il relè di monitoraggio di sicurezza controlla costantemente i segnali provenienti dai contatti EMG1A/IMG1B (canale 1) e EMG2A/EMG2B (canale 2) del tasto per arresto d'emergenza su Magelis XBT GH. Finché entrambi i circuiti restano chiusi, il relè di monitoraggio di sicurezza chiude i contattori del motore quando si spinge il pulsante di avvio.

Non appena viene premuto il tasto per arresto d'emergenza, oppure se vengono rilevati dei guasti sul canale 1 o il 2, il relè di monitoraggio di sicurezza apre entrambi i contattori del motore della macchina o il sistema.

Il riavvio viene consentito solo se quando si spinge il pulsante di avvio sono state eliminate le condizioni di guasto.

Il relè di monitoraggio di sicurezza controlla anche la posizione dei contattori del motore mediante il contatto ridondante. Qualora un contattore resti chiuso in caso di attuazione dell'arresto di emergenza, l'altro contattore eseguirà la funzione di arresto di emergenza e il riavvio sarà consentito solo dopo che sono state eliminate le condizioni di guasto.

NOTE: Quando viene scollegato il touch screen XBT GH:

1. il circuito di sicurezza si apre e il sistema si arresta immediatamente
2. si consiglia di tenersi a distanza dalle apparecchiature operative siccome, in caso di emergenza, l'operatore potrebbe tentare di arrestare il sistema con l'arresto di emergenza integrato nell'XBT GH, che non fa più parte del sistema

Proprietà probabilistiche

Il sistema per arresto d'emergenza XBT GH è stato sviluppato e convalidato per essere utilizzato in funzioni di sicurezza fino a:

- EN ISO 13849-1: Performance Level (PL) PLe

Le proprietà di sicurezza del sottosistema di arresto di emergenza (XBT GH, cavo XBT GH e scatola di derivazione XBT GH) secondo EN ISO 13849-1, se utilizzato secondo i principi di architettura mostrati in "Funzione dell'arresto di emergenza categoria 4, PLe, SIL 3" a pagina 52:

- Architettura di categoria 4
- Tempo medio di guasto pericoloso di ogni canale (MTTF_d): alto (MTTF_d = 113 anni con un worst case scenario di 1 ciclo operativo/ora e 8760 ore di esercizio all'anno)
- Copertura diagnostica (DC): elevata, tutte le diagnosi vengono eseguite dal relè di monitoraggio di sicurezza (DC = 99%)
- Sono applicate le misure contro le cause comuni di guasto (CCF).

Pertanto, il sistema per arresto d'emergenza Magelis XBT GH (incluso cavo e scatola di derivazione) è adatto all'uso per le funzioni di sicurezza dell'arresto d'emergenza fino a PLe.

NOTA: il sottosistema per arresto d'emergenza MTTF_d di Magelis XBT GH dipende dal tasto per arresto d'emergenza. In qualità di componente elettromagnetico, l'MTTF_d del tasto di arresto di emergenza si basa sulla durata dei componenti e sulla frequenza del ciclo operativo (worst case scenario: 1 ciclo operativo all'ora e 8760 ore di esercizio all'anno).

Di seguito è riportato un calcolo in dettaglio dell'MTTF_d per ogni canale:

$$MTTF_{dCanale1XBTGH} = MTTF_{dCanale2XBTGH} = \frac{1}{\frac{0,1 \cdot n_{op}}{B_{10d}} + \frac{1}{MTTF_{d(XBTGH/Cavo/Scatola\ di\ derivazione)}}$$

Con:

$$MTTF_{d(XBTGH/Cavo/Scatola\ di\ derivazione)} > 8.000 \text{ anni}$$

$$B_{10d} = 100.000 \text{ operazioni}$$

$$n_{op} = \text{numero medio di operazioni annuali}$$

- IEC 62061: Livello d'integrità della sicurezza SIL CL 3

Le proprietà di sicurezza del sottosistema per l'arresto d'emergenza Magelis XBT GH (incluso Magelis XBT GH, il cavo Magelis XBT GH e la scatola di derivazione Magelis XBT GH) secondo EN/IEC 62061, se utilizzato secondo il principio di architettura illustrato in "Funzione dell'arresto di emergenza categoria 4, PLe, SIL 3" a pagina 52:

- Safe Failure Fraction (SFF): SFF > 99% per ciascun canale (SFF = 99,8%)
 - Architettura di sottosistema tipo D
 - Copertura diagnostica DC = 99%, tutte le diagnosi vengono eseguite dal relè di monitoraggio di sicurezza
 - Coefficiente di guasto equivalente per canale $\lambda_{De1} = \lambda_{De2} = 1.01 \times 10^{-6} / h$ (con un worst case scenario di 1 ciclo operativo/ora e 8760 ore di esercizio all'anno)
 - Suscettibilità del fattore di causa comune: $\beta = 2\%$
- Secondo EN/IEC 62061 e presupponendo un intervallo tra i test dimostrativi di un 1 anno, la probabilità di un guasto pericoloso (PFH) del sottosistema dell'arresto di emergenza XBTGH è $PFH_{DSSD} = 2,88 \times 10^{-8}$.

NOTA: il sottosistema per arresto d'emergenza λ_D di XBTGH dipende soprattutto dal tasto per arresto d'emergenza. In qualità di componente elettromagnetico, il λ_D del tasto per arresto d'emergenza si basa sulla durata dei componenti e sulla frequenza del ciclo operativo (worst case scenario: 1 ciclo operativo all'ora e 8760 ore di esercizio all'anno).

Di seguito è riportato un calcolo in dettaglio del λ_D per ogni canale:

$$\lambda_{d \text{ canale1XBTGH}} = \lambda_{d \text{ canale XBTGH}} = \frac{0,1 n_{op}}{B_{10d}} + \frac{1}{MTTF_{d(XBTGH/Cavo/Scatola \text{ di derivazione})}}$$

Con:

$$MTTF_{d(XBTGH/Cavo/Scatola \text{ di derivazione})} > 8.000 \text{ anni}$$

$$B_{10d} = 100.000 \text{ operazioni}$$

$$n_{op} = \text{numero medio di operazioni annuali}$$

FUNZIONI DI CONTROLLO DI ATTIVAZIONE

Requisiti di sicurezza

Il dispositivo di attivazione Magelis XBT GH è progettato per essere integrato nella funzione dei dispositivi di attivazione delle macchine quando lo stato di sicurezza della funzione è diseccitata.

Il sistema per il dispositivo di attivazione Magelis XBT GH è parte di una strategia globale di riduzione del rischio.

Accertare che il dispositivo, la sua installazione e la configurazione correlata soddisfino la strategia di valutazione del rischio e la relativa riduzione del rischio.

In fase di progettazione, installazione o azionamento di un qualsiasi dispositivo di attivazione, ad esempio il dispositivo di attivazione Magelis XBT GH, è necessario accertare che siano soddisfatti i pertinenti standard e le normative internazionali e nazionali.

È indispensabile rispettare le normative nazionali e internazionali sui macchinari specifiche per l'applicazione, ad es.:

- EN 12100, sicurezza del macchinario: concetti fondamentali, principi generali di progettazione
- EN 60204-1, sicurezza del macchinario: equipaggiamenti elettrici delle macchine
- EN/ISO 13849-1, sicurezza del macchinario: parti dei sistemi di comando legate alla sicurezza e principi generali di progettazione

Disegno dell'architettura hardware

Lo schema seguente è una funzione di attivazione di un singolo XBT GH. Il controllo di attivazione è un interblocco della funzione di controllo attivato manualmente.

Intervallo di tempo:

- attivato: è possibile avviare il funzionamento della macchina tramite un controllo di avvio separato
- disattivato: viene avviata una funzione di arresto che impedisce l'avvio del funzionamento di una macchina

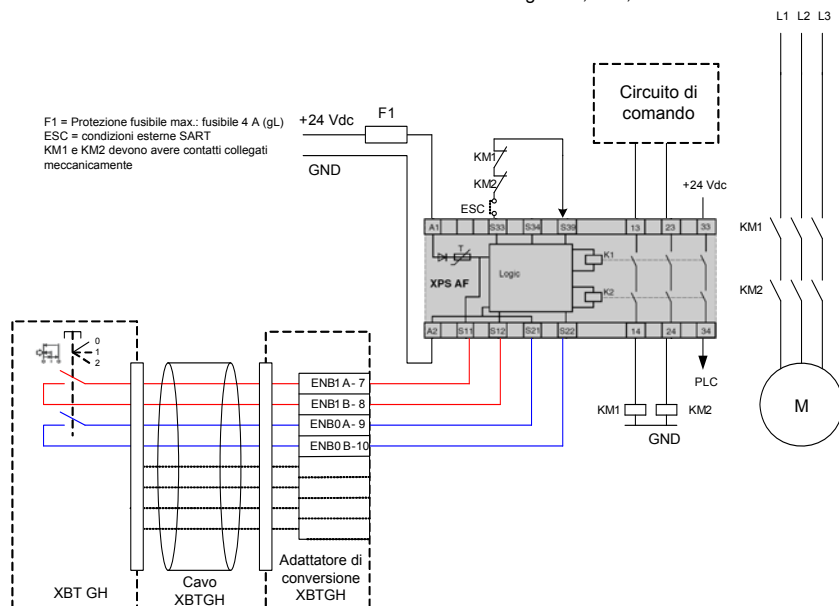
L'attivazione del tasto attivazione a 3 posizioni, premendolo nella posizione intermedia, trasmette un segnale al resto del sistema per consentire il comando degli organi mobili della macchina.

Il segnale viene rimosso quando:

- Il tasto attivazione a 3 posizioni non viene premuto (liberato)
- Il tasto attivazione a 3 posizioni viene premuto nella posizione più interna (premuto totalmente)
- l'XBT GH è scollegato
- si verifica una perdita di alimentazione al circuito di sicurezza
- viene rilevato un guasto interno

Nell'esempio seguente, il dispositivo di monitoraggio è un relè di sicurezza per il monitoraggio dei circuiti dell'arresto d'emergenza: riferimento Schneider Electric XPSAF5130 (prodotti della serie Preventa).

Il modulo XPSAF5130 è provvisto di tre uscite di sicurezza di arresto categoria 0 (EN/ISO 13850 e EN 60204-1) nella figura sottostante.



La suddetta architettura si basa su due canali con monitoraggio incrociato. Il relè di monitoraggio di sicurezza controlla costantemente i segnali provenienti dai contatti ENB0A/E0B (canale 1) e ENB1A/E1B (canale 2) del tasto di attivazione Magelis XBT GH. Finché entrambi i circuiti restano chiusi, il relè di monitoraggio di sicurezza consente al circuito di comando di comandare i contattori del motore.

Non appena viene rilasciato o premuto totalmente il tasto attivazione, oppure se viene rilevato un errore sul canale 1 o il 2, il relè di monitoraggio di sicurezza apre entrambi i contattori del motore della macchina o il sistema.

Il relè di monitoraggio di sicurezza controlla anche la posizione dei contattori del motore mediante il contatto ridondante. Se un contactore rimane chiuso sull'attuazione dell'arresto, il riavvio è consentito soltanto le condizioni dell'errore sono eliminate.

Per minimizzare la possibilità di annullare il tasto attivazione, l'uscita PLC (33/34) del relè di sicurezza può essere utilizzata per verificare la disattivazione della funzione del controllo di attivazione prima di riavviare il funzionamento della macchina.

NOTE: Quando viene scollegato il touch screen XBT GH:

1. il circuito di sicurezza si apre e il sistema si arresta immediatamente
2. si consiglia di tenersi a distanza dalle apparecchiature operative siccome, in caso di emergenza, l'operatore potrebbe tentare di arrestare il sistema con l'arresto di emergenza integrato nell'XBT GH, che non fa più parte del sistema

Proprietà probabilistiche

La funzione di controllo dell'attivazione Magelis XBT GH è stata sviluppata e convalidata per essere utilizzata in funzioni di sicurezza fino a:

- EN 954-1: Categoria 3, in cui un singolo guasto non determina la perdita della funzione di sicurezza, alcuni ma non tutti i guasti vengono rilevati in occasione o prima della successiva richiesta d'intervento della funzione di sicurezza
- EN/ISO 13849-1: Performance level (PL) PLd

Le proprietà del sottosistema di sicurezza del tasto attivazione XBT GH (XBT GH, cavo XBT GH e scatola di derivazione XBT GH) secondo EN ISO 13849-1, se utilizzato secondo i principi di architettura mostrati in figura "Funzione controllo di attivazione categoria 3, PLd, SIL 2" a pagina 55 di cui sopra (Funzione controllo di attivazione categoria 3, PLd, SIL 2):

- Architettura di categoria 3
- Tempo medio di guasto pericoloso di ogni canale (MTTF_d): alto (MTTF_d = 175 anni con un ipotesi di 1 ciclo operativo/ora e 8760 ore di esercizio all'anno)
- Copertura diagnostica (DC): bassa, tutte le diagnosi vengono eseguite dal relè di monitoraggio di sicurezza (DC = 75 %)
- Sono applicate le misure contro le cause comuni di guasto (CCF)
- IEC 62061: Livello d'integrità della sicurezza SIL CL 2

Pertanto, il dispositivo di attivazione Magelis XBT GH (incluso cavo e scatola di derivazione) è adatto all'uso per le funzioni di sicurezza del dispositivo di attivazione fino a PLd.

NOTA: Il MTTF_d del dispositivo di attivazione Magelis XBT GH dipende dal tasto attivazione. In qualità di componente elettromagnetico, l'MTTF_d del tasto attivazione si basa sulla durata dei componenti e sulla frequenza del ciclo operativo (worst case scenario: 1 ciclo operativo all'ora e 8760 ore di esercizio all'anno).

Di seguito è riportato un calcolo in dettaglio dell'MTTF_d per ogni canale:

$$MTTF_{dCanale1XBTGH} = MTTF_{dCanale2XBTGH} = \frac{1}{\frac{0,1 \times n_{op}}{B_{10d}} + \frac{1}{MTTF_{d(XBTGH/Cavo/Scatola\ di\ derivazione)}}}$$

Con:

$$MTTF_{d(XBTGH/Cavo/Scatola\ di\ derivazione)} > 8.000 \text{ anni}$$

$$B_{10d} = 100.000 \text{ operazioni}$$

$$n_{op} = \text{numero medio di operazioni annuali}$$

Se il sottosistema del dispositivo di attivazione Magelis XBT GH (incluso Magelis XBTGH, il cavo Magelis XBT GH e la scatola di derivazione Magelis XBT GH) è utilizzato secondo il principio di architettura illustrato in "Funzione controllo di attivazione categoria 3, PLd, SIL 2" a pagina 55, le proprietà relative alla sicurezza secondo EN IEC 6206 sono:

- Safe Failure Fraction (SFF): SFF > 80%
- Architettura di sottosistema tipo B
- La tolleranza ai guasti hardware è 1
- I vincoli architettureali sul sottosistema sono soddisfatti fino a un massimo di SIL2
- Coefficiente di guasto equivalente per canale $\lambda_{De1} = \lambda_{De2} = 1,01 \times 10^{-6}/h$ (con un worst case scenario di 1 ciclo operativo/ora e 8760 ore di esercizio all'anno)
- Suscettibilità del fattore di causa comune: $\beta = 2\%$

Secondo EN IEC 62061 e presupponendo una durata di 10 anni, la probabilità di un guasto pericoloso (PFH) del sottosistema del dispositivo di attivazione XBTGH è $PFH_{DSSD} < 10^{-7}$.

NOTA: il sottosistema per il controllo di attivazione λ_D di XBTGH dipende soprattutto dal tasto attivazione a 3 posizioni. In qualità di componente elettromagnetico, il λ_D del tasto attivazione a 3 posizioni si basa sulla durata dei componenti e sulla frequenza del ciclo operativo (worst case scenario: 1 ciclo operativo all'ora e 8760 ore di esercizio all'anno).

Di seguito è riportato un calcolo in dettaglio del λ_D (per anno) per ogni canale:

$$\lambda_{d \text{ canale1 XBTGH}} = \lambda_{d \text{ canale2 XBTGH}} = \frac{0,1 \lambda_{op}}{B_{10d}} + \frac{1}{MTTF_d (\text{XBTGH/Cavo/Scatola di derivazione})}$$

Con:

$MTTF_d (\text{XBTGH/Cavo/Scatola di derivazione}) > 8.000 \text{ anni}$

$B_{10d} = 100.000 \text{ operazioni}$

$n_{op} = \text{numero medio di operazioni annuali}$

FUNZIONAMENTO E MANUTENZIONE

Installazione

È necessario attenersi alle istruzioni per il dispositivo di monitoraggio in uso.

Operazioni

Se il cavo di collegamento del dispositivo portatile Magelis XBT GH non è installato in modo fisso, assicurarsi che non sia d'intralcio per impedire incidenti che potrebbero causare la caduta del dispositivo portatile a terra.

Il cavo Magelis XBT GH non deve essere pizzicato né entrare a contatto con angoli taglienti, onde evitare danni al cavo o alla guaina.

Un arresto di emergenza Magelis XBT GH che non risulta collegato potrebbe essere confuso con un dispositivo di controllo attivo. Tenerlo lontano dalle zone pericolose.

AVVISIO

FUNZIONAMENTO IMPREVISTO DELL'APPARECCHIATURA

- Tenere un dispositivo Magelis XBT GH lontano dalle zone pericolose.
- Non utilizzare un dispositivo Magelis XBT GH con un cavo di connessione o un cabinet di commutazione danneggiato.

Il mancato rispetto delle presenti istruzioni può comportare la morte, lesioni gravi o danni ai beni materiali.

Manutenzione

AVVISIO

FUNZIONAMENTO IMPREVISTO DELL'APPARECCHIATURA

- Controllare la funzione per arresto d'emergenza e controllo di attivazione alla prima connessione del terminale portatile Magelis XBT GH.
- Il test di manutenzione periodica deve essere eseguito almeno una volta all'anno per verificare la funzione per arresto d'emergenza e controllo di attivazione.

Il mancato rispetto delle presenti istruzioni può comportare la morte, lesioni gravi o danni ai beni materiali.

PRINCIPALE SPECIFICA FUNZIONALE E AMBIENTALE

Magelis XBT GH

Fische	Temperatura di funzionamento	Da 0 a +40 °C
	Temperatura d'immagazzinamento	Da -20 a +60 °C
	Umidità ambientale	Da 10 a 90% UR (temperatura bulbo umido: 39 °C max. - senza condensa)
	Umidità di immagazzinamento	Da 10 a 90% UR (temperatura bulbo umido: 39 °C max. - senza condensa)
	Polvere	0,1 mg/m ³ e inferiori (livelli non conduttivi)
	Grado di inquinamento	Adatto all'uso in ambienti con grado di inquinamento 2
	Gas corrosivi	Privo di gas corrosivi
	Pressione atmosferica (altitudine operativa)	800 - 1.114 hPa (2,000 m [6,561 ft] o inferiore)

Adattatore di conversione Magelis XBT GH

Fische	Temperatura operativa circostante	Da 0 a +50 °C ¹
	Temperatura d'immagazzinamento	Da -20 a +60 °C
	Umidità ambientale	Da 10 a 90% UR (temperatura bulbo umido: 39 °C max. - senza condensa)
	Umidità di immagazzinamento	Da 10 a 90% UR (temperatura bulbo umido: 39 °C max. - senza condensa)
	Polvere	0,1 mg/m ³ e inferiori (livelli non conduttivi)
	Grado di inquinamento	Adatto all'uso in ambienti con grado di inquinamento 2
	Gas corrosivi	Privo di gas corrosivi
	Pressione atmosferica (altitudine operativa)	800 - 1.114 hPa (2,000 m [6,561 ft] o inferiore)

¹La temperatura operativa ambiente dell'XBT GH è compresa tra 0 e 40 °C.

Cavo di connessione XBT ZGHL**

Standard	UL1571
Gamma di temperature	Da -10 a +60 °C
Materiale conduttore	Filo di rame, rivestimento in stagno
Dimensione del conduttore (segnali di arresto di emergenza)	AWG22
Diametro esterno del conduttore	0,76 mm (1,59 in.)
Diametro esterno dell'isolatore	1,2 mm (0,47 in.)
Resistenza del conduttore (20 °C)	Max 59,4 Ω/km (95,6Ω/mi)
Lunghezza	XBT ZGHL3: 3 m (9 ft 10,1 in.) XBT ZGHL10: 10 m (32 ft 9,7 in.)

DATI TECNICI DEI COMPONENTI

Tasto arresto di emergenza

Standard	EN60947-5-1, EN60947-5-5, UL508
Materiale a contatto	Argento placcato oro
Resistenza del contatto	50 m Ω massimo (valore iniziale)
Durata vita meccanica	250.000 operazioni ¹
Durata vita elettrica	100.000 operazioni ¹
Grado di protezione	IP65
Corrente operativa nominale secondo IEC 60947-5-1	Contatti principali (NC): (DC13) Ue = 30 V/le = 1 A Contatto di monitoraggio (NO) (DC13) Ue = 30 V/le = 1 A
B _{10d}	100.000 operazioni ¹

¹Il numero effettivo delle operazioni varia in base all'ambiente, al ciclo e al carico di lavoro.

Tasto attivazione a 3 posizioni

Standard	EN 60947-5-1, EN 60947-5-8, UL508
Resistenza del contatto	50 m Ω massimo (valore iniziale)
Durata vita meccanica	Posizione 1→ 2: 100.000.000 operazioni min. Posizioni 1→ 2→ 3→ 1: 100.000 operazioni min.
Durata vita elettrica	100.000 operazioni min. al carico nominale
Grado di protezione	IP65
Corrente operativa nominale secondo IEC 60947-5-1	Contatti principali (NC): (DC13) Ue = 30 V/le = 1 A Contatto di monitoraggio (NO) (DC13) Ue = 30 V/le = 1 A
B _{10d}	100.000 operazioni ¹

¹Il numero effettivo delle operazioni varia in base all'ambiente, al ciclo e al carico di lavoro.

Magelis XBT GH 急停按钮 说明书

符合 EN ISO 13849-1 和 IEC 62061

04/2016

英语原始文件译文

说明书概述

本说明书介绍 Magelis XBT GH 急停按钮，重点阐述它们如何满足 ISO 13849-1 和 IEC 62061 的安全要求。文中详细地说明了如何正确设计和维系统，以保护人身安全，防止对环境、设备和生产工艺造成破坏。

Magelis XBT GH 急停按钮适合集成到性能级别 / 安全完整性水平达到 Ple/SIL3 的机器中，发挥紧急停车的作用。

根据 EN ISO 12100，急停功能具有以下特点：

？可规避或降低风险，防止对人、机械或半成品造成伤害

？单人单动触发

本说明书适用于通晓功能安全和 Magelis XBT GH 的合格人员。作为控制系统与安全相关的部件，Magelis XBT GH 端子的调试和操作只能由根据既定功能安全标准授权调试和操作系统的人员执行。

效力说明

本说明书中的数据 and 图例没有约束力。Schneider Electric 保留根据我们的持续产品开发政策修改我们产品的权利。本说明书中的信息可能随时更改，如有更改，恕不另行通知；另外，文中的信息也不能视为 Schneider Electric 的承诺。

相关文档

您可以从我们的网站 www.schneider-electric.com 下载 Schneider Electric 的技术出版物和其他技术资料。

注：有关电气安全和外部接线的限制必须遵守下表中的文档以及本手册中的内容。

参考号	书名	作者
AAV89570	Magelis XBT GH—快速参考指南	Schneider Electric
35010372	Magelis XBT GT, XBT GK, XBT GH—用户手册	Schneider Electric
AAV89571	Magelis XBT GH—接线盒安装手册	Schneider Electric
印刷时未发布。请参见 www.schneider-electric.com	机器安全部件—EC 类检验证书	INERIS

Schneider
Electric

遵守欧盟指令

Schneider Electric 声明, Magelis XBTGH 急停按钮符合以下 EC 机器指令 2006/42/EC 的规定, 下面提及的标准和 / 或技术规范适用, 并经过 INERIS 的验证。

遵循标准

参考号	书名
EN ISO 13850:2006	机器安全—急停按钮—设计原则
EN ISO 13849-1:2008	机器安全—控制系统与安全相关的零部件—部分 1: 一般设计原则
EN ISO 13849-2:2015	机器安全—控制系统与安全相关的零部件—部分 2: 验证
EN IEC 62061:2005	机器安全—与安全相关的电气、电子和可编程电子控制系统的功能安全

注意事项

电气设备必须由合格的工作人员安装、操作、维护维修。因使用本材料而引起的任何后果, Schneider Electric 概不承担责任。

产品相关信息

如对改进或改良有任何建议, 或发现本出版物中的任何错误, 请联系我们。

未经 Schneider Electric 的书面同意, 禁止以任何形式或以任何方式, 无论电子或机械方式 (包括影印), 复制本文件的任何部分。

安装和使用本产品必须遵守所有相关省市、地区和当地安全规定。出于安全原因和确保符合成文的系统数据, 务必由制造商执行零部件的维修。

控制器在具有技术安全要求的应用中须遵守相关指示。

请参阅:

? ISO 13849-1, “机器安全性—控制系统中与安全相关的部件 - 部分 1: 一般设计原则”。

? IEC 62061, “机器安全—与安全相关的电气、电子和可编程电子控制系统的功能安全”。

PL 和 SIL 要求以认证时有效的标准为基础。

警告

意外的设备操作

? 充分理解规定的用途和应用环境:

- 急停功能: ISO 13849-1 中的性能级别 (PL)e 和 IEC 62061 中的安全完整性级别 (SIL) 3
- 使能装置功能: ISO 13849-1 中的性能级别 (PL)d 和 IEC 62061 中的安全完整性级别 (SIL) 2

? 应用本产品不得超过 SIL3 级。

不遵守这些说明可能导致死亡、严重人身伤害或设备损坏。

本文中使用的术语

下表中的术语在本文中只适用于 SIL3 级：

安全要求	ISO 13849-1
安全完整性级别	IEC 62061
功能安全	IEC 62061
安全功能	ISO 13849-1
安全标准	ISO 13849-1
机器安全	ISO 13849-1
控制系统与安全相关的零部件	ISO 13849-1
历经考验的安全原则	ISO 13849-2
安全监控继电器 (Preventa)	XPSAF5130
故障	IEC 60204-1
失效	IEC 60204-1
危险失效	ISO 13849-1
风险	IEC 60204-1
紧急、紧急停车和急停功能	ISO 13850
使能控制器	IEC 60204-1
使能装置	ISO 12100

急停功能

安全要求

Magelis XBT GH 急停按钮用于在急停功能安全状态失效时紧急停止机器运行。

Magelis XBT GH 急停按钮是综合防险策略的一部分。请确保按钮本身及其安装和相关配置满足您的危险评估和相关防险策略。

任何诸如 Magelis XBT GH 的急停装置，其设计、安装或操作必须确保符合适用的国际国内标准和规定。例如，必须遵守以下针对应用的国际国内机器安全规定：

- ? EN 12100, 机器安全、基本概念、一般设计原则
- ? EN 60204, 机器安全、机器的电气设备
- ? EN ISO 13850 机器安全、急停、设计原则
- ? EN ISO 13849-1, 机器安全、控制系统与安全相关的零部件、一般设计原则

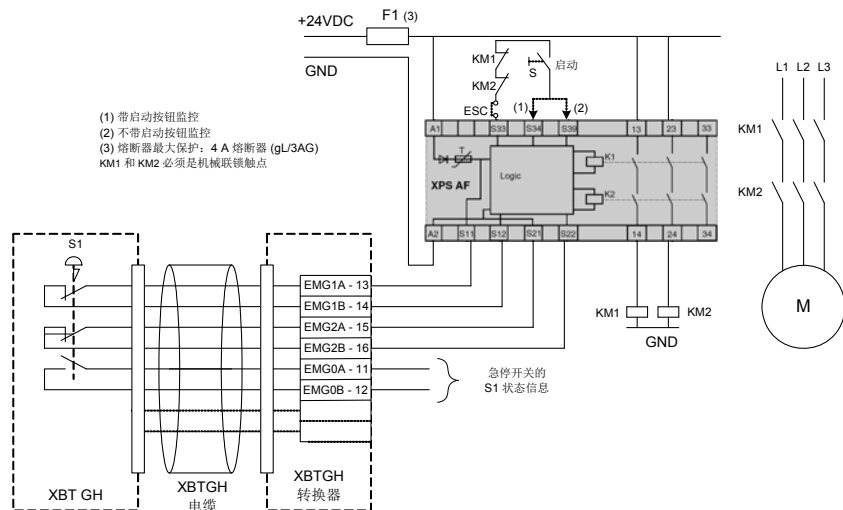
硬件架构设计

下图是单个 XBT GH 按钮的急停原理图示例。激活急停按钮或断开 Magelis XBT GH 装置会发送信号到系统的其他部分，以停止机器动件的运动。

在下列中，监控装置为一个监控急停按钮的安全监控继电器：参考号 XPSAF5130（Schneider Electric, Preventa 系列产品）。

XPSAF5130 模块提供停车类别 0 的三个安全相关输出（EN ISO 13850、EN 60204-1）。

图 1 急停功能类别 4, PLe, SIL 3



上述架构基于两个交叉监控的通道。

安全监控继电器不断地检查来自 Magelis XBT GH 急停按钮接触器 EMG1A/EMG1B（通道 1）和 EMG2A/EMG2B（通道 2）的信号。在按下启动按钮时，只要两个电路都闭合，则安全监控继电器就会闭合电机接触器。

一旦按下急停按钮或当检测到通道 1 或通道 2 中有故障时，安全监控继电器将释放机器或系统的两个电机接触器。

只有排除了故障状况后，系统才会在按下启动按钮时允许重新启动。

安全监控继电器还通过镜像接触检查电机接触器的位置。如果一个接触器在急停功能被激活时保持闭合状态，另一个接触器将执行急停功能，并且只在故障状况排除后才允许重新启动。

注：如果未拔出 XBT GH 触摸屏：

1. 安全电路将变成断开状态，系统将立即停车
2. 建议与操作设备保持距离，因为在紧急情况下，操作人员可能会尝试使用不再属于系统组成部分的 XBT GH 急停按钮停止系统

概率特性

Magelis XBT GH 急停系统的设计已经过验证，可用于最高达到以下标准的安全功能中：

? EN ISO 13849-1: 性能级别 (PL) PLe

如果按照第 64 页“急停功能类别 4, PLe, SIL 3”中所示的架构原则使用，XBT GH 急停子系统 (XBT GH、XBT GH 电缆和 XBT GH 接线盒) 的安全相关特性符合 EN ISO 13849-1：

- 架构类别 4
- 每个通道危险故障的平均时间 (MTTF_d)：高 (MTTF_d = 113 年，按每小时操作 1 次，每年操作 8760 次的最坏工况条件假设)
- 诊断范围 (DC)：高，全部诊断由安全监控继电器执行 (DC = 99%)
- 使用共因失效 (CCF) 测量方法

因此 Magelis XBT GH 急停系统 (包括电缆和接线盒) 适合在最高符合 PLe 标准的急停功能中使用。

注：Magelis XBT GH 急停子系统的 MTTF_d 与急停按钮性能高度相关。作为一个机电部件，急停按钮的 MTTF_d 依赖于部件的使用寿命和操作周期频率 (假设的最坏工况条件：每小时操作 1 次，每年操作 8760 次)。

以下是每个通道的 MTTF_d 的具体计算公式：

$$MTTF_{d \text{ 通道1XBTGH}} = MTTF_{d \text{ 通道2XBTGH}} = \frac{1}{\frac{0,1 \times n_{op}}{B_{10d}} + \frac{1}{MTTF_{d(XBTGH / 电缆/接线盒)}}$$

其中：

$$MTTF_{d(XBTGH / 电缆/接线盒)} > 8\,000 \text{ 年}$$

$$B_{10d} = 100\,000 \text{ 次运行}$$

$$n_{op} = \text{每年运行次数平均值}$$

? IEC 62061: 安全完整性水平 SIL CL 3

如果按照第 64 页“急停功能类别 4, PLe, SIL 3”中的架构原则使用，Magelis XBT GH 急停子系统 (包括 Magelis XBT GH、Magelis XBT GH 电缆和 Magelis XBT GH 接线盒) 的安全相关特性符合 EN/IEC 62061：

- 安全失效比率 (SFF)：每个通道 SFF > 99% (SFF = 99.8%)
- 子系统架构类型 D
- 诊断范围 DC = 99%，全部诊断由安全监控继电器执行
- 每个通道的等效失效率 $I_{De1} = I_{De2} = 1.01 \times 10^{-6} / \text{h}$ (按每小时操作 1 次，每年操作 8760 次的最坏工况条件假设)
- 共因系数敏感性：b = 2%

根据标准 EN/IEC 62061，并且假设检验期限为 1 年，XBTGH 急停子系统的危险失效概率 $PFH_{DssD} = 2.88 \times 10^{-8}$ 。

注：XBTGH 急停子系统的 I_D 与急停按钮性能高度相关。作为一个机电部件，急停按钮的 I_D 依赖于部件的使用寿命和操作周期的频率 (假设的最坏工况条件：每小时操作 1 次，每年操作 8760 次)。

以下是每个通道的 I_D 的具体计算公式：

$$\lambda_{d \text{ 通道1XBTGH}} = \lambda_{d \text{ 通道XBTGH}} = \frac{0,1x n_{op}}{B_{10d}} + \frac{1}{MTTF_d(XBTGH/电缆/接线盒)}$$

其中：

$$MTTF_d(XBTGH/电缆/接线盒) > 8\ 000 \text{ 年}$$

$$B_{10d} = 100\ 000 \text{ 次运行}$$

$$n_{op} = \text{每年运行次数平均值}$$

使能控制功能

安全要求

Magelis XBT GH 使能装置用于在使能装置功能失效时对机器发挥使能装置的作用。

Magelis XBT GH 使能装置系统是综合防险策略的一部分。

请确保按钮本身及其安装和相关配置满足您的危险评估和相关防险策略。

任何诸如 Magelis XBT GH 的使能装置，其设计、安装或操作必须确保符合适用的国际国内标准和规定。

例如，必须遵守以下针对应用的国际国内机器安全规定：

？ EN 12100，机器安全性：基本概念，一般设计原则

？ EN 60204-1，机器安全：机器的电气设备

？ EN/ISO 13849-1，机器安全：控制系统与安全相关的零部件和一般设计原则

硬件架构设计

下图所示为单一 XBT GH 的使能功能。使能控制是通过手动激活的控制功能联动装置。

当：

？ 启用时：机器可由独立的启动控制器启动

？ 禁用时：停止功能已启动，可阻止机器启动

将 3 位使能开关按到中间位置将激活 3 位使能开关向系统其余部件发送信号，从而允许对机器动作进行控制。

信号将在下列情形下被移除：

？ 3 位使能开关没有处于按住状态（已松开）

？ 3 位使能开关被按到最深的位置（完全按下状态）

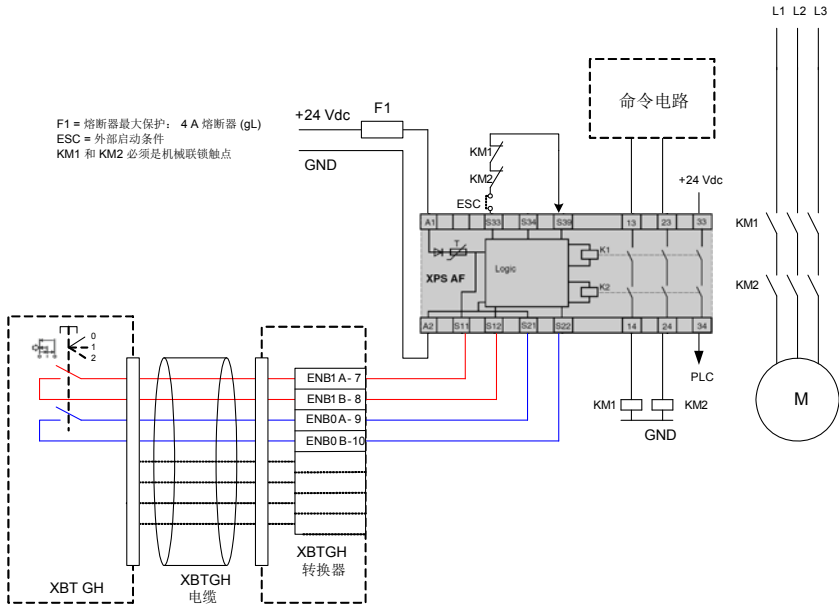
？ XBT GH 已被拔出

？ 安全电路断电

？ 检测到内部故障

在下例中，监控装置是一个监控急停电路的安全监控继电器：Schneider Electric 参考号 XPSAF5130（Preventa 系列产品）。

XPSAF5130 模块提供停车类别 0 的三个安全相关输出（EN/ISO 13850 和 EN 60204-1），如下图所示。



上述架构基于两个交叉监控的通道。安全监控继电器连续检查来自 Magelis XBT GH 使能开关的接触器 ENB0A/E0B（通道 1）和 ENB1A/E1B（通道 2）的信号。两条电路一旦闭合，安全监控继电器就会允许命令电路控制电机接触器。

使能开关一旦松开、安全按下或在通道 1 或 2 上检测到错误，安全监控继电器就会打开机器或系统的两个电机接触器。

安全监控继电器还通过镜像接触检查电机接触器的位置。如果接触器在停车激活后仍然保持闭合状态，则只有在清除错误状态后才能重启。

为了将使能开关失效的可能性降到最低，可在重启机器前使用安全继电器的 PLC 输出 (33/34) 检查使能控制功能是否被停用。

注：如果未拔出 XBT GH 触摸屏：

1. 安全电路将变成断开状态，系统将立即停车
2. 建议与操作设备保持距离，因为在紧急情况下，操作人员可能会尝试使用不再属于系统组成部分的 XBT GH 急停按钮停止系统

概率特性

Magelis XBT GH 使能控制功能的设计已经过验证, 可用于最高达到以下标准的安全功能中:

? EN 954-1: 类别 3, 单个故障不会导致安全功能丧失, 在下次需要安全功能时或之前将检测到部分但不是全部故障

? EN ISO 13849-1: 性能级别 (PL) PLd

如果按照上文第 67 页“使能控制功能类别 3, PLd, SIL 2”(使能控制开关类别 3, PLd, SIL 2) 中所示的架构原理使用, XBT GH 使能开关子系统 (XBT GH、XBT GH 电缆和 XBT GH 接线盒) 的安全相关特性符合 EN ISO 13849-1:

? 架构类别 3

? 每个通道危险故障的平均时间 (MTTF_d): 高 (MTTF_d = 175 年, 按每小时操作 1 次, 每年操作 8760 次的条件假设)

? 诊断范围 (DC): 低, 诊断由安全监控继电器执行 (DC = 75 %)

? 使用共因失效 (CCF) 测量方法

? IEC 62061: 安全完整性水平 SIL CL 2

因此 Magelis XBT GH 使能装置 (包括电缆和接线盒) 适合在最高符合 PLd 标准的使能装置安全功能中使用。

注: Magelis XBT GH 使能装置的 MTTF_d 取决于使能开关。作为一个机电部件, 使能开关的 MTTF_d 依赖于部件的使用寿命和操作周期频率 (假设的最坏工况条件: 每小时操作 1 次, 每年操作 8760 次)。

以下是每个通道的 MTTF_d 的具体计算公式:

$$MTTF_{d \text{ 通道1XBTGH}} = MTTF_{d \text{ 通道2XBTGH}} = \frac{1}{\frac{0,1 x n_{op}}{B_{10d}} + \frac{1}{MTTF_{d \text{ (XBTGH/电缆/接线盒)}}}}$$

其中:

$$MTTF_{d \text{ (XBTGH/电缆/接线盒)}} > 8 \text{ 000 年}$$

$$B_{10d} = 100 \text{ 000 次运行}$$

$$n_{op} = \text{每年运行次数平均值}$$

如果 Magelis XBT GH 使能装置子系统 (包括 Magelis XBTGH、Magelis XBT GH 电缆和 Magelis XBT GH 接线盒) 遵循第 67 页“使能控制功能类别 3, PLd, SIL 2”中的架构, 则符合 EN IEC 6206 的安全相关特性如下:

? 安全失效比率 (SFF): SFF > 80%

? 子系统架构类型 B

? 硬件故障容忍度 1

? 子系统上的架构局限最高符合 SIL2

? 每个通道的等效失效率 $\lambda_{De1} = \lambda_{De2} = 1.01 \times 10^{-6}/h$ (按每小时操作 1 次, 每年操作 8760 次的最坏工况条件假设)

? 共因系数敏感性: $b = 2\%$

按照 EN IEC 62061 和 10 年使用寿命假设, XBTGH 使能装置子系统的危险失效概率 (PFH) $PFH_{DssD} < 10^{-7}$ 。

注: XBTGH 使能控制子系统的 λ_D 与 3 位使能开关密不可分。作为一个机电部件, 3 位使能开关的 λ_D 依赖于部件的使用寿命和操作周期的频率 (假设的最坏工况条件: 每小时操作 1 次, 每年操作 8760 次)。

以下是每个通道的 λ_D (每年) 的具体计算公式:

$$\lambda_{d \text{ 通道1 XBTGH}} = \lambda_{d \text{ 通道2 XBTGH}} = \frac{0,1 x n_{op}}{B_{10d}} + \frac{1}{MTTF_{d \text{ (XBTGH/电缆/接线盒)}}$$

其中：

$MTT F_d$ (XBTGH/电缆/接线盒) > 8 000 年

B_{10d} = 100 000 次运行

n_{op} = 每年运行次数平均值

操作和维护

安装

必须遵循所用监控装置的说明操作。

操作

如果 Magelis XBT GH 手持式终端连接线不是固定式安装，请确保连接线避开通道，防止任何事故导致手持终端掉落到地上。

请勿挤压 Magelis XBT GH 连接线或使其与尖锐的边角相接触，以防止损坏电缆或其护套。

未连接的 Magelis XBT GH 急停按钮容易与当前控制装置混淆。应远离危险区保管。

警告

意外的设备操作

- ? 远离危险区保管未连接的 Magelis XBT GH。
- ? 禁止操作连接线或开关柜电缆损坏的 Magelis XBT GH 终端。

不遵守这些说明可能导致死亡、严重人身伤害或设备损坏。

维护

警告

意外的设备操作

- ? 首次连接 Magelis XBT GH 手持终端时，检查急停和使能控制功能。
- ? 每年应至少执行一次定期维护测试，以验证急停和使能控制功能。

不遵守这些说明可能导致死亡、严重人身伤害或设备损坏。

主要功能和环境规格

Magelis XBT GH

物理规格	工作温度	0 到 +40° C (32 到 104° F)
	储存温度	-20 到 +60° C (-4 到 140° F)
	环境湿度	10 到 90% RH (湿球温度计温度: 最高 39° C (102.2° F)—无冷凝)
	储存湿度	10 到 90% RH (湿球温度计温度: 最高 39° C (102.2° F)—无冷凝)
	灰尘	0.1 mg/m ³ 以及更低 (非传导级别)
	污染程度	用在污染程度为 2 的环境中
	腐蚀性气体	无腐蚀性气体
	大气压力 (运行海拔高度)	800...1,114 hPa (2,000 m [6,561 ft] 或更低)

Magelis XBT GH 转换器

物理规格	周围的操作温度	0 到 +50° C ¹ (32 到 122° F)
	储存温度	-20 到 +60° C (-4 到 140° F)
	环境湿度	10 到 90% RH (湿球温度计温度: 最高 39° C (102.2° F)—无冷凝)
	储存湿度	10 到 90% RH (湿球温度计温度: 最高 39° C (102.2° F)—无冷凝)
	灰尘	0.1 mg/m ³ 以及更低 (非传导级别)
	污染程度	用在污染程度为 2 的环境中
	腐蚀性气体	无腐蚀性气体
	大气压力 (运行海拔高度)	800...1,114 hPa (2,000 m [6,561 ft] 或更低)

¹XBT GH 的环境操作温度为 0 到 40° C (32 到 104° F)。

连接线 XBT ZGHL**

标准	UL1571
温度范围	-10 到 +60° C (-14 到 140° F)
导线材料	镀锡铜导线
导线规格 (急停信号)	AWG22
导线外径	0.76 mm (0.03 英寸)
绝缘材料外径	1.2 mm (0.047 英寸)
导线电阻 (20° C)	最大 59.4 W / 公里 (95.6 W / 英里)
长度	XBT ZGHL3: 3 米 (9 英尺 10.1 英寸) XBT ZGHL10: 10 米 (32 英尺 9.7 英寸)

部件技术数据

急停按钮

标准	EN60947-5-1, EN60947-5-5, UL508
触点材料:	镀银金触点
触点电阻	50 mW (最大, 初始值)
机械寿命	250 000 次运行 ¹
电气寿命	100 000 次运行 ¹
防护等级	IP65
额定操作电流 符合 IEC 60947-5-1	主触点 (NC): (DC13) $U_e = 30 \text{ V} / I_e = 1 \text{ A}$ 监控触点 (DC13) $U_e = 30 \text{ V} / I_e = 1 \text{ A}$
B _{10d}	100 000 次运行 ¹

¹ 实际运行次数随环境、工作周期和负载而异。

3 位使能开关

标准	EN 60947-5-1, EN 60947-5-8, UL508
触点电阻	50 mW (最大, 初始值)
机械寿命	位 1 ? 2: 最低 100 000 000 次运行 位 1 ? 2 ? 3 ? 1: 最低 100 000 次运行
电气寿命	额定负载下最低 100 000 次运行
防护等级	IP65
额定操作电流 符合 IEC 60947-5-1	主触点 (NC): (DC13) $U_e = 30 \text{ V} / I_e = 1 \text{ A}$ 监控触点 (DC13) $U_e = 30 \text{ V} / I_e = 1 \text{ A}$
B _{10d}	100 000 次运行 ¹

¹ 实际运行次数随环境、工作周期和负载而异。

04/2016

Schneider Electric Industries SAS
35 rue Joseph Monier
CS30323
F - 92506 Rueil Malmaison Cedex

© 2016 Schneider Electric. All rights reserved.

Printed in