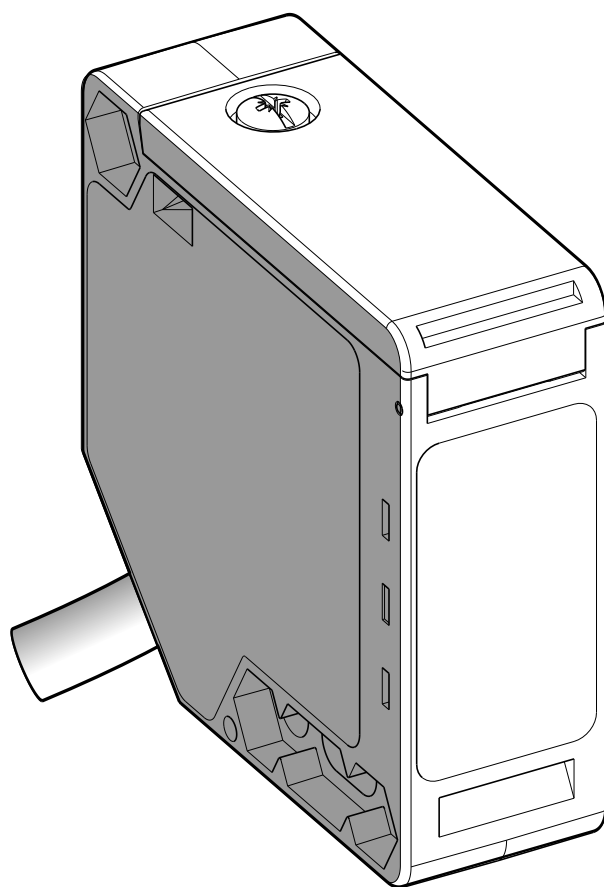


Product Environmental Profile

XUK0ARCTL2 Photoelectric Sensor



Product Environmental Profile - PEP

Product overview

The main purpose of XUK0ARCTL2 and more generally of any photoelectric sensor, installed in automated installations, is to transmit to the control system the information of presence, absence or positioning.

This range consists of parallelepipedic photoelectric sensors XUK*, XULM*, XUM*.

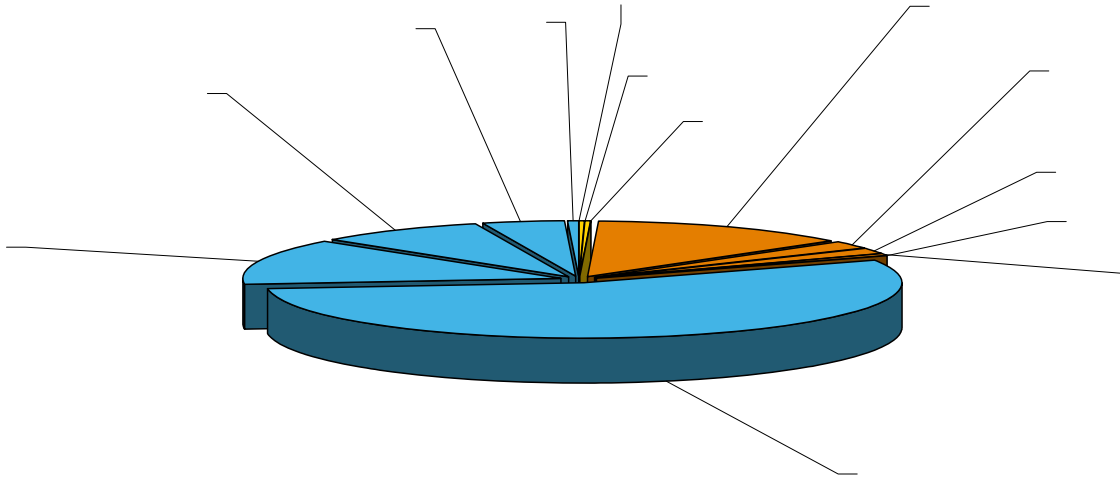
The representative product used for the analysis is XUK0ARCTL2.

The environmental impacts of this referenced product are representative of the impacts of the other products of the range which are developed with a similar technology.

The environmental analysis was performed in conformity with ISO 14040.

For more information please contact us at: global-green-sensors@schneider-electric.com

Constituent materials



Substance assessment



Manufacturing

Distribution

Use

End of life

Environmental impacts

Presentation of the product environmental impacts

Environmental indicators	Unit	For XUK0ARCTL2					
		S = M + D + I + U + E	M	D	I	U	E
Raw Material Depletion	Y-1						
Energy Depletion	MJ						
Water depletion	dm ³						
Global Warming	g~CO ₂ eq	2.19 0 T56 273.4 T25401 reW 7.219 0 T5686.c -01TmTc 0 TwTmW)3.5 (at)0.5997 0 594 T05401015.83E902					

Product Environmental Profile - PEP

Glossary

Raw Material Depletion (RMD)	
Energy Depletion (ED)	
Water Depletion (WD)	
Global Warming (GW)	
Ozone Depletion (OD)	
Air Toxicity (AT)	
Photochemical Ozone Creation (POC)	
Air Acidification (AA)	
Water Toxicity (WT)	
Hazardous Waste Production (HWP)	

Registration number	ENVPEP111232EN_V2	Drafting rules	PCR PEPecopassport 2010 :1.0
Dates of review	11/2017 08/2015	Date of issue	12/2011
Validity period	4 years	Information and reference documents	www.pep-ecopassport.org

Independant verification of the declaration and data Internal X External	
<i>The elements of the present PEP cannot be compared with elements form another program. Documents in compliance with ISO 14021:2016 "Environmental labels and declarations – Self-declared environmental claims (Type II environmental labelling)"</i>	

Schneider Electric Industries SAS