

EXO

Precision and design



ERARD®

PREMIUM wall mounts



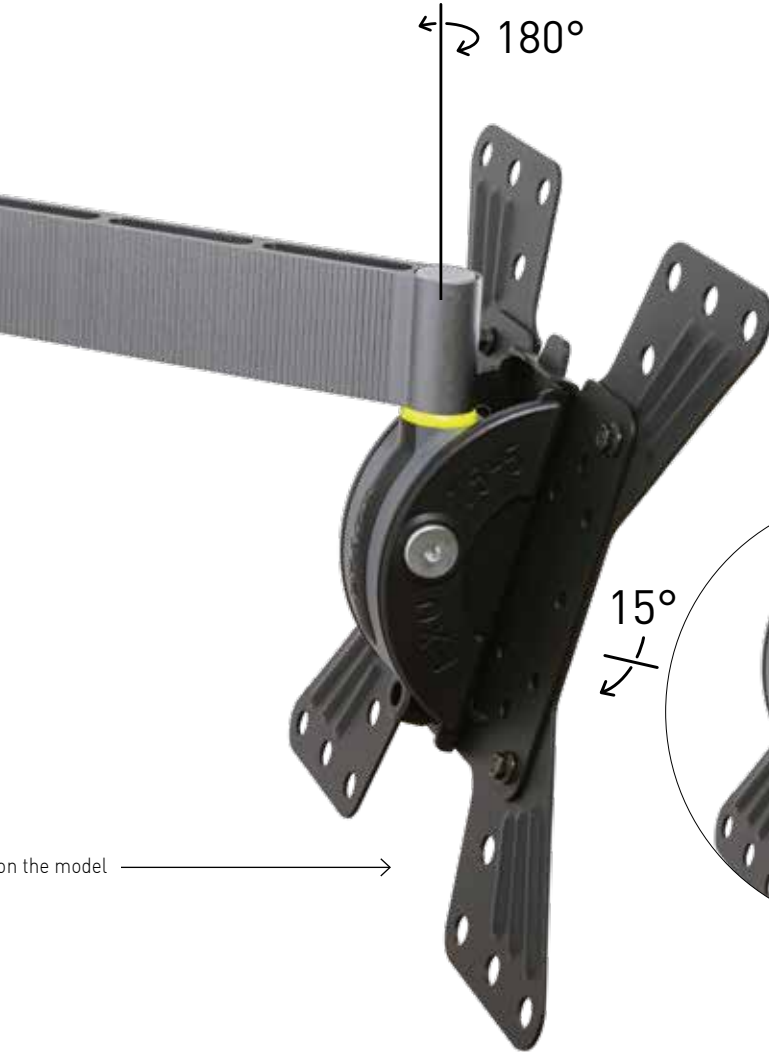
EXO 200 Tilting and swivelling PREMIUM wall mounts

- Tilting and swivelling
- Off-centre spacers to correct horizontality after drilling
- Texturized anodized aluminium arm, Titanium colour
- Screen and wall mount made of steel, black epoxy painting
- Delivered pre-assembled
- Magnetic cover for wall mount



EXO 200

LIFETIME WARRANTY



Continuous tilt up to -15°



on the model →

Discover the EXO video



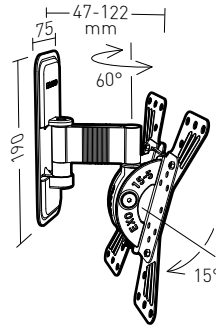
www.erard.com/exo200

EXO 200

EXO 200TW1 **M** 19"-43" 48-109 cm

Tilting and swivelling aluminium wall mount - Offset 122 mm - 1 arm

Ref. **048120** EAN 318528 048120 0



MAXI 15 KG

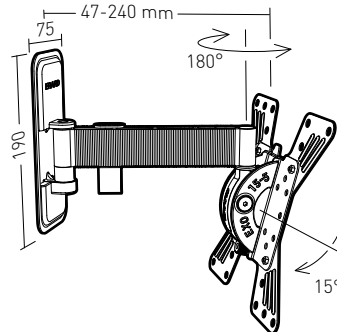


VESA
L50>H200

EXO 200TW2 **M** 19"-43" 48-109 cm

Tilting and swivelling aluminium wall mount - Offset 240 mm - 1 arm

Ref. **048220** EAN 318528 048220 7



MAXI 15 KG



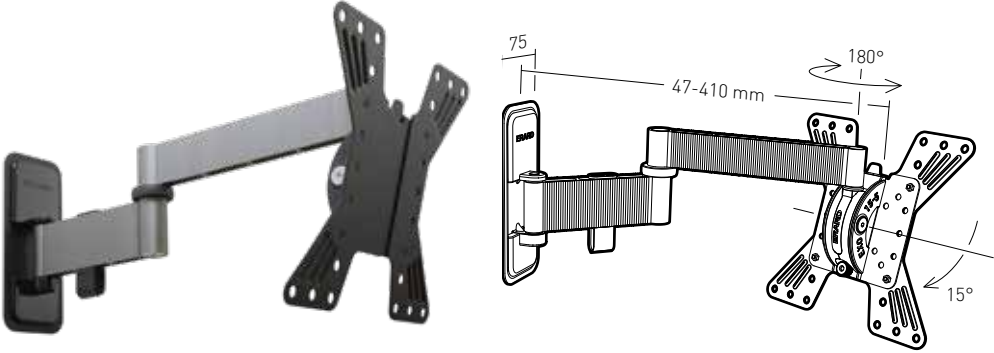
VESA
L50>H200



EXO 200TW3 M 19"-43"
48-109 cm

Tilting and swivelling aluminium wall mount - Offset 410 mm - 2 arm

Ref. 048320 EAN 318528 048320 4

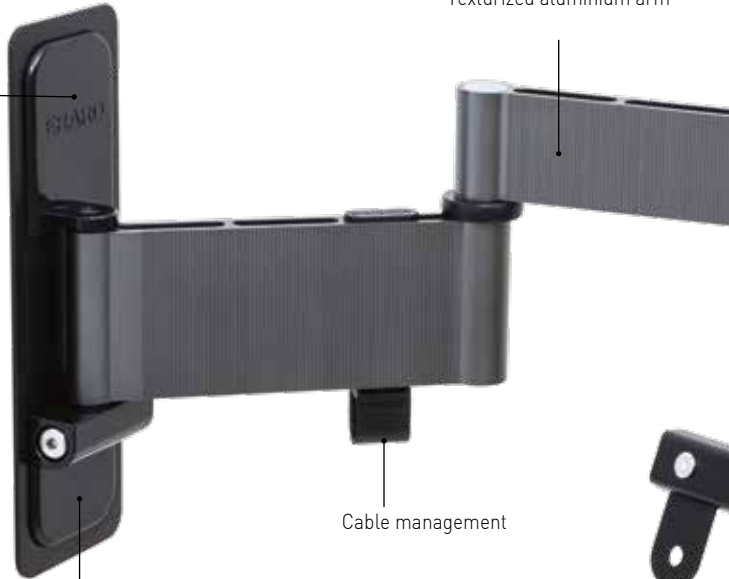


PREMIUM wall mounts



Texturized aluminium arm

Drilling adjustment
(PATENTED)



Cable management

← From 49 to 538 mm depending on the model →



Micro adjustment of the level (PATENTED)



Discover the EX0 video



www.erard.com/exo400-600

Continuous tilt up to -25° **EXO 400/600 Tilting and swivelling PREMIUM wall mounts**

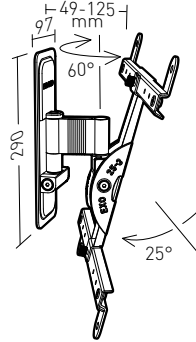
- Tilting and swivelling
- Off-centre spacers to correct horizontality after drilling
- Patented micro adjustment system for perfect horizontality of the screen
- Texturized anodized aluminium arm, Titanium colour
- Screen and wall mount made of steel, black epoxy painting
- Compatible with LCD, QLED and OLED screens
- Compatible with screens with curved and irregular back panel (screws and spacers included)
- Delivered pre-assembled
- Magnetic cover for wall mount

EXO 400

EXO 400TW1 30°-65° 76-165 cm

Tilting and swivelling aluminium wall mount - Offset 125 mm - 1 arm

Ref. **048140** EAN 318528 048140 8



MAXI 25 KG

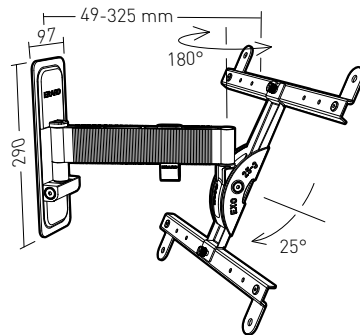


VESA
L200>H400

EXO 400TW2 30°-65° 76-165 cm

Tilting and swivelling aluminium wall mount - Offset 325 mm - 1 arm

Ref. **048240** EAN 318528 048240 5



MAXI 25 KG



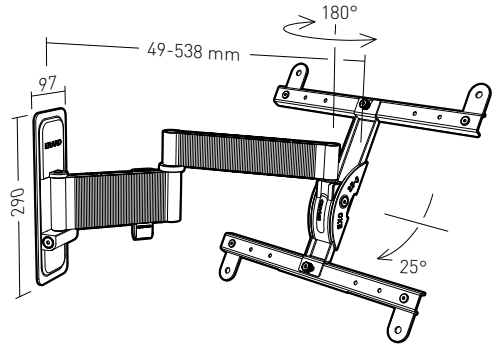
VESA
L200>H400



EXO 400TW3 30°-65° 76-165 cm

Tilting and swivelling aluminium wall mount - Offset 538 mm - 2 arms

Ref. **048340** EAN 318528 048340 2



MAXI 25 KG



VESA
L200>H400

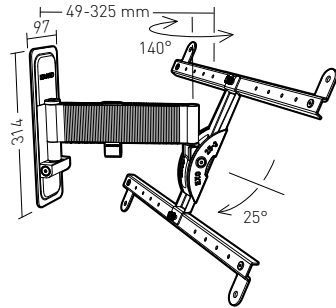


EXO 600

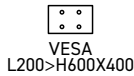
EXO **600TW2** **XL** 40"-85"
101-215 cm

Tilting and swivelling aluminium wall mount - Offset 325 mm - 1 arm

Ref. **048260** EAN 318528 048260 3



MAXI 35 KG



VESA
L200>H600X400



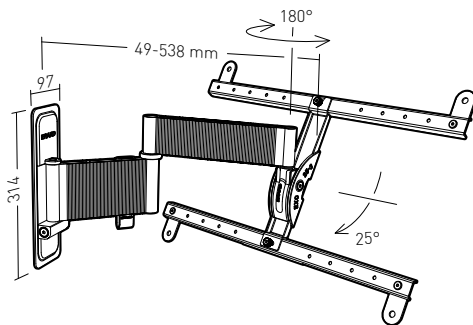
EXO **600TW3** **XL** 40"-85"
101-215 cm

Tilting and swivelling aluminium wall mount - Offset 538 mm - 2 arms

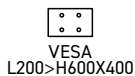
Ref. **048360**

EAN

318528 048360 0



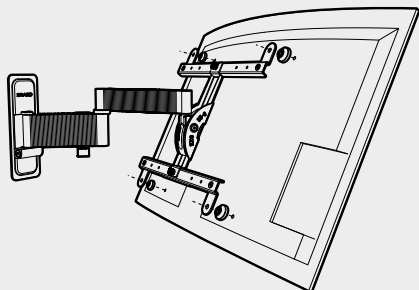
MAXI 35 KG



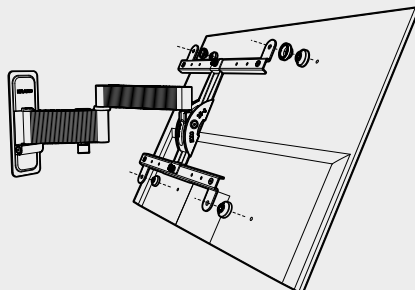
VESA
L200>H600X400



Compatible with screens with curved and irregular back panel



For curved TV panel



For screens with irregular back panel



OLED screen compatible

