

ERARD®

ACCESSOIRES ESSENTIELS POUR MATÉRIEL AUDIO-VIDÉO

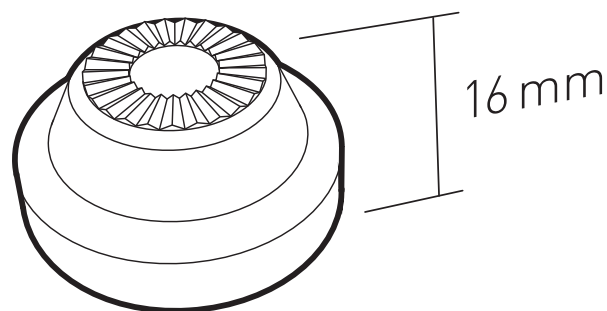
KITTVADAPT+

Réf. 049592 - EAN : 3185280495924

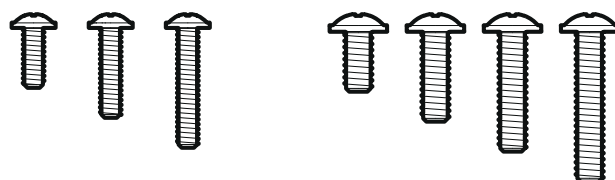
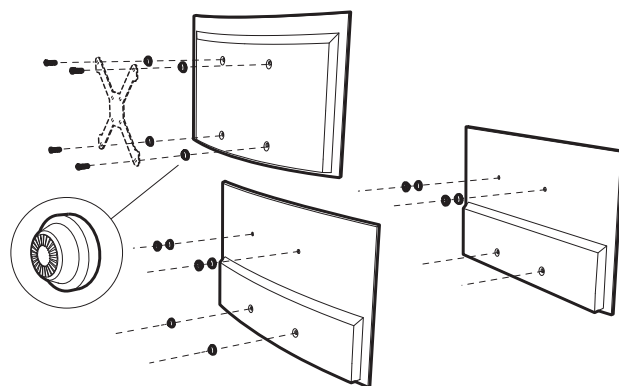
Adapter kit for screens with curved or irregular rear panel.

- 100% compatible with ERARD mounts, columns and floor stands.
- Compatible with all types of screens (LCD, LED, QLED, OLED) and all brands.
- Contains a set of spacers and screws required to install a screen with a curved or irregular back panel.
- Spacers designed by ERARD compensate for the angle created by the curvature of the screen or the distance between the top and bottom of the screen.

Color	Black
Materials	Plastic



X8



$\varnothing 6 - 20 \text{ mm}$
 $\varnothing 6 - 30 \text{ mm}$
 $\varnothing 6 - 40 \text{ mm}$

X4

$\varnothing 8 - 20 \text{ mm}$
 $\varnothing 8 - 30 \text{ mm}$
 $\varnothing 8 - 40 \text{ mm}$
 $\varnothing 8 - 50 \text{ mm}$

X4