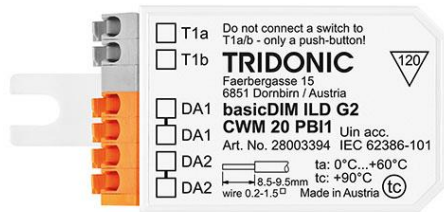


basicDIM ILD G2 CWM 20 PBI1

Push Button Interface (PBI) for ILD G2 system

**Product description**

- _ Push Button Interface (PBI) for ILD G2 system
- _ Flexible configuration via the ILD G2 in combination with the companionSUITE
- _ Short push button action: automatic / fade off (factory default)
- _ Long push button action: dim up / dim down (factory default)
- _ Double push button action: set new target value for light regulation (factory default)
- _ Through-wiring DA1 / DA2 possible
- _ Detachable mounting flaps, allow installation in flush-mounted boxes and luminaires

Note

- _ A permanent short circuit between T1a and T1b results in limited function
- _ Only push buttons can be used

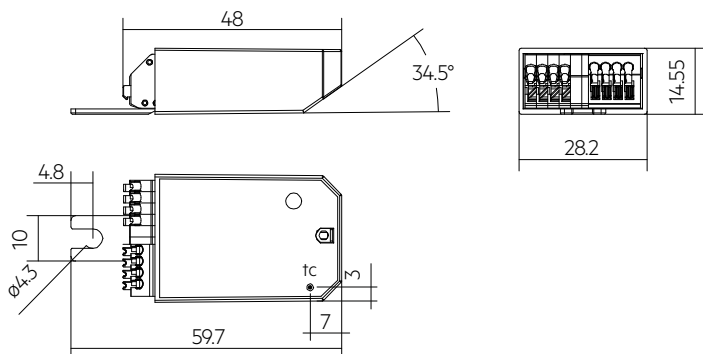
Website

<http://www.tridonic.com/28003394>



basicDIM ILD G2 CWM 20 PBI1

Push Button Interface (PBI) for ILD G2 system



Ordering data

Type	Article number	Packaging, carton	Weight per pc.
basicDIM ILD G2 CWM 20 PBI1	28003394	15 pc(s).	0.012 kg

Technical data

Supply via	DALI PS
Supply voltage	14 – 20.5 V
Current draw active ^①	max. 250 mA
Current draw passive	0 mA
Input	1 momentary-action switch
Ambient temperature t_a	0 ... +60 °C
tc point	90 °C
Storage temperature t_s	-25 ... +60 °C
Humidity	20 ... 90 % not condensed
Starting time	≤ 1 s
Type of protection	IP20
Type of installation	Mounting box 60 x 61 (ø x d)
Housing material body	Polycarbonate
Housing colour body	White
Dimensions L x W x H	59.7 x 28.2 x 14.55 mm

Approval marks



Standards

EN 55015, EN 61347-2-11, EN 61547

① The max. current consumption is depending on used power supply.

1. Standards

EN 55015: 2013
 EN 61347-2-11
 EN 61547: 2009

1.1 Glow wire test

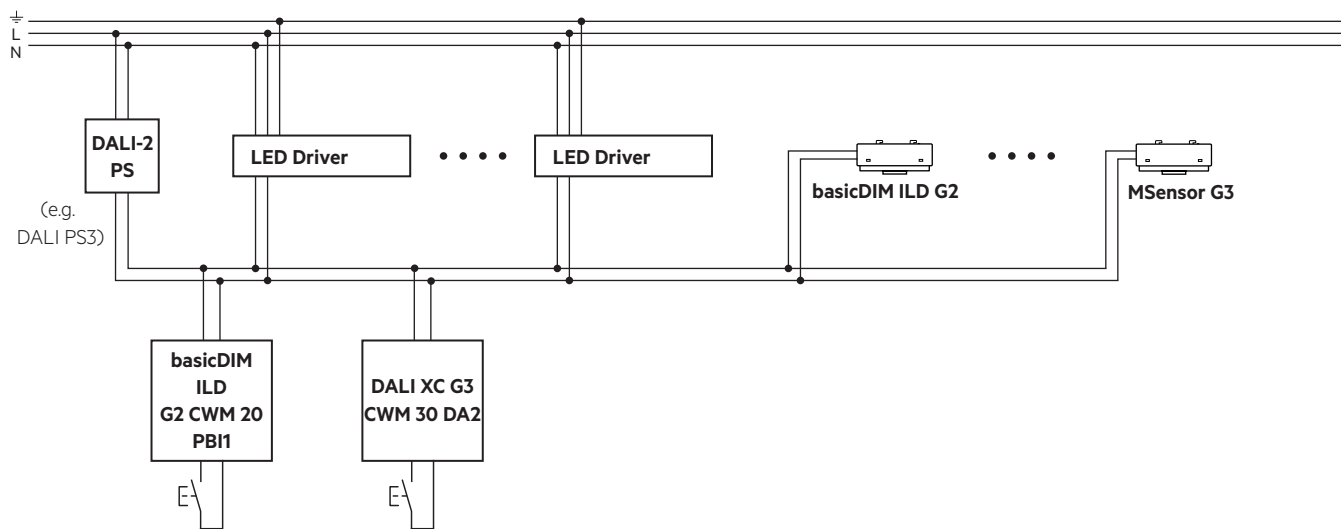
according to EN 61347-2-11 passed for temperatures up to 850°C.

2. Installation

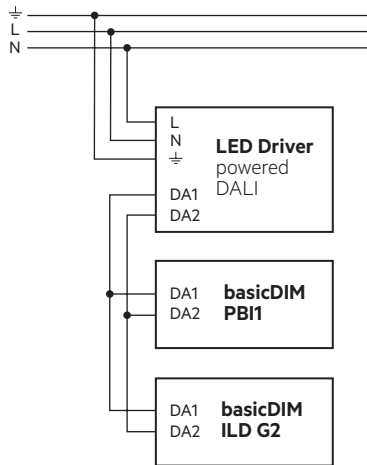
- Device can be inserted into the mounting box for the momentary switch.
- Device must not be connected to the mains. It is supplied directly via the DALI signal line.
- The momentary switch is connected directly to the device (potential free contacts) and must not be connected to the mains.
- DALI signals are not SELV. Therefore the same procedures should be applied as working with mains voltage.
- Only one momentary switch each device input.

2.1 Connection diagrams

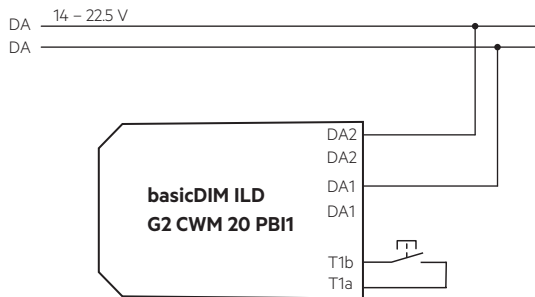
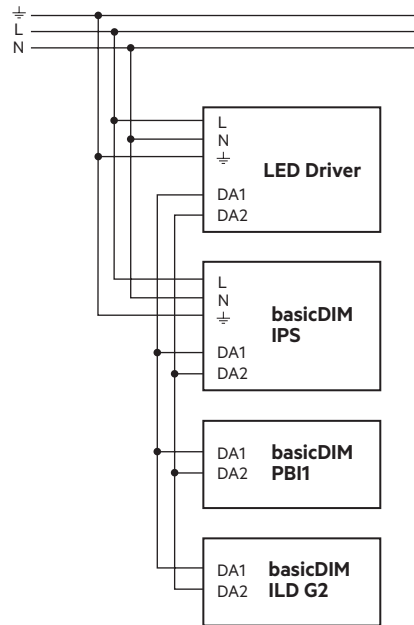
Room application:



Single / free-standing luminaires, Driver with integrated power supply (DALI):



Single / free-standing luminaires, Driver with separate power supply (DALI):

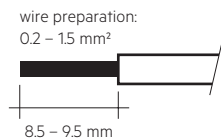


2.2 Wiring type and cross section

The wiring can be solid wire or stranded wire with end sleeve with a cross-section of 0.2 mm² to 1.5 mm².

Maximum cable length between momentary switch and device is 100 cm at 1.5 mm².

Maximum cable length DALI is 100 m at 1.5 mm².



2.3 Terminals

Orange = DALI D1 and D2

Grey = Push button input T1a – T1b

3. Possible push button configuration

Short Press	Long Press	Double Press
Automatic mode	Dimming up	Set target value
Recall max. level	Dimming down	No function
Off	Dimming up / dimming down	
Recall max. level / off	No function	
On with fade		
Off with fade		
Automatic mode / off with fade		
No function		

4. Miscellaneous

4.1 Disposal



According to the WEEE directive return old equipment at appropriate collection facilities.

4.2 Additional information

Additional technical information at www.tridonic.com → Technical Data

Guarantee conditions at www.tridonic.com → Services

Life-time declarations are informative and represent no warranty claim. No warranty if device was opened.