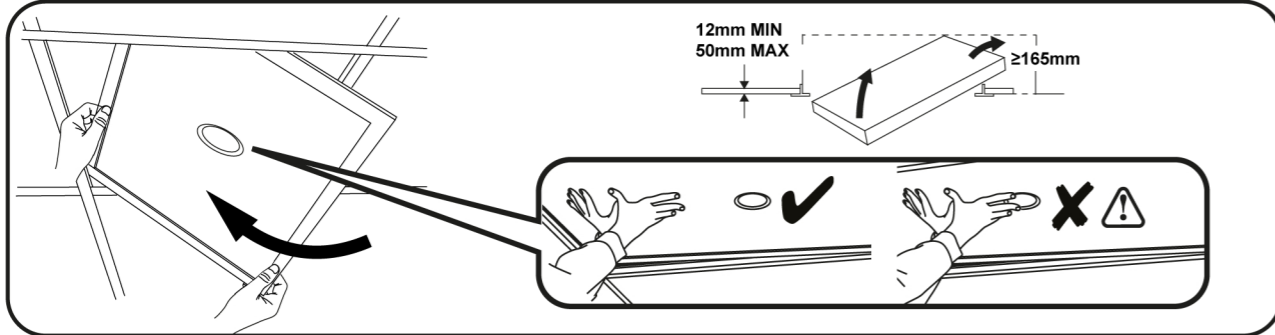
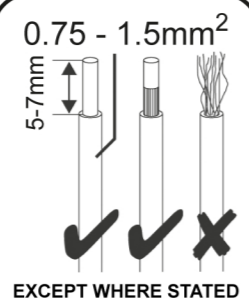
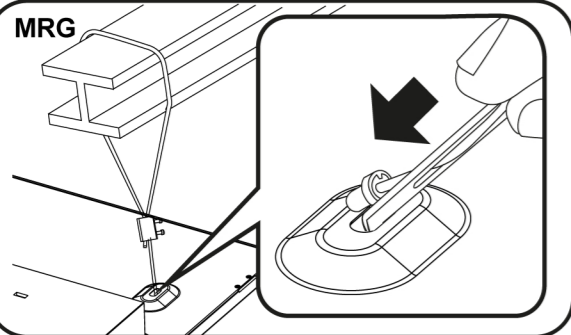
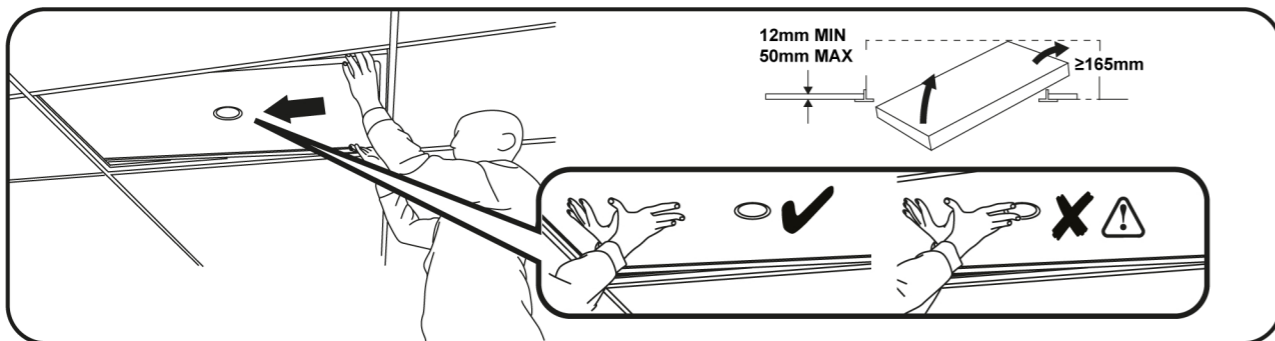


7

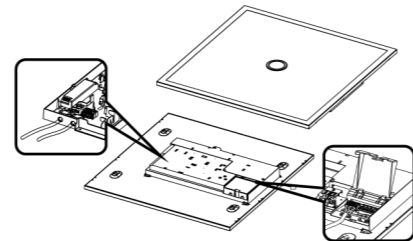
600/625



3x12/3x12D

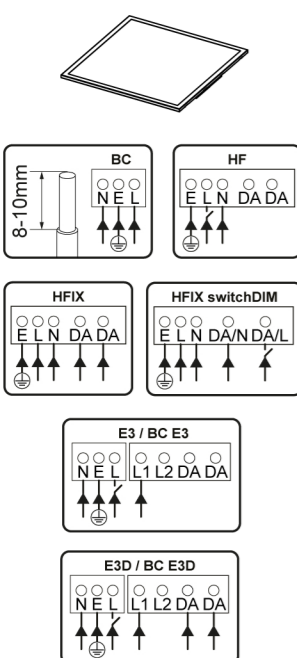


CKIT + CKIT + ECP/ECD ? 96406887

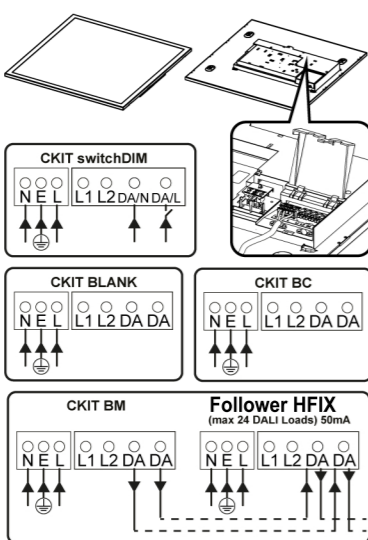


Initiator Follower

BASIC



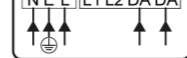
CKIT



CKIT + BLANK/ECP/ECD



CKIT + PIR/SENS



CKIT + BC PIR



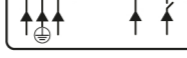
CKIT + E3



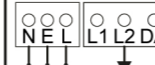
CKIT + E3D



CKIT + switchDIM



CKIT + MWS



HF (max 5)



CKIT + HFSX (max 1)



HFIX (max 4)



CKIT + BM PIR (max 24 DALI Loads) 50mA



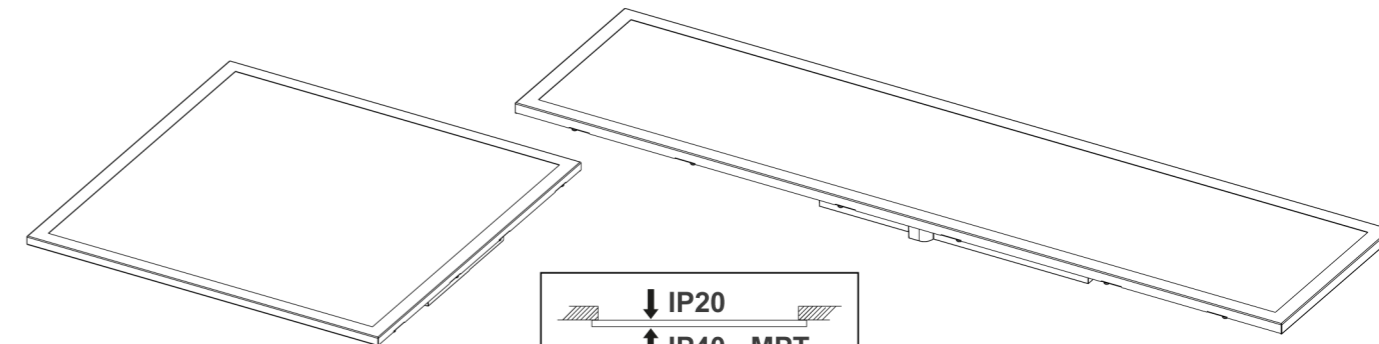
HFIX (max 4)



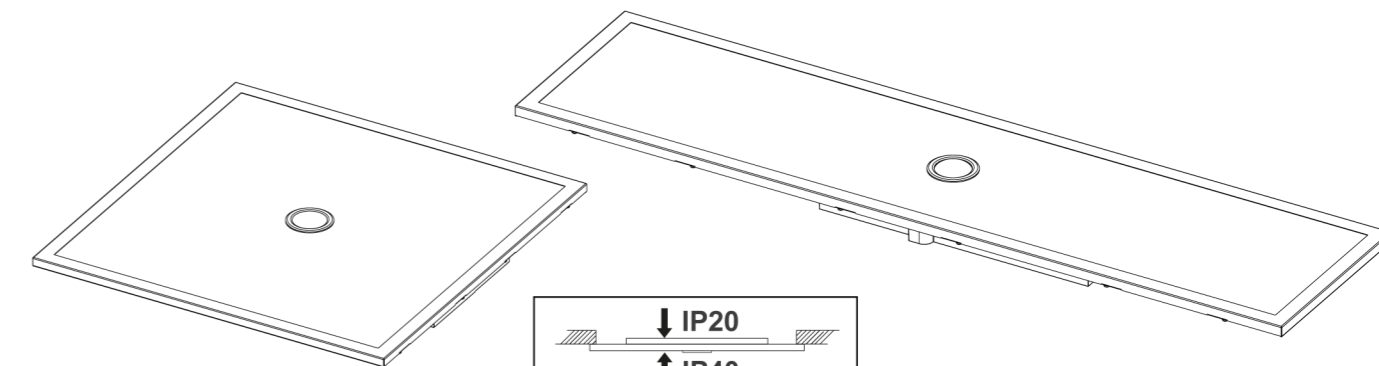
CKIT + BC E3



CKIT + BC E3D



↓ IP20
↑ IP40 - MPT
IP40 - HX
IP44 - OP



↓ IP20
↑ IP40

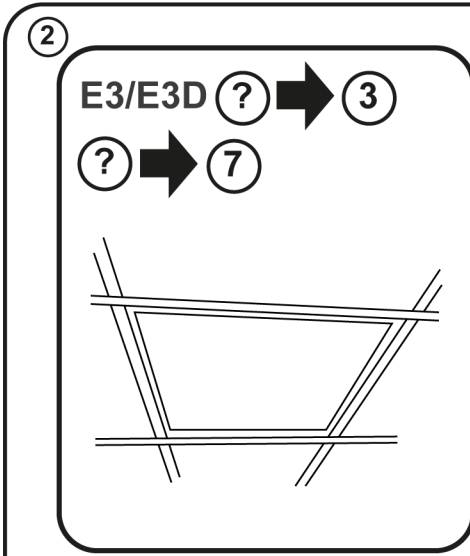
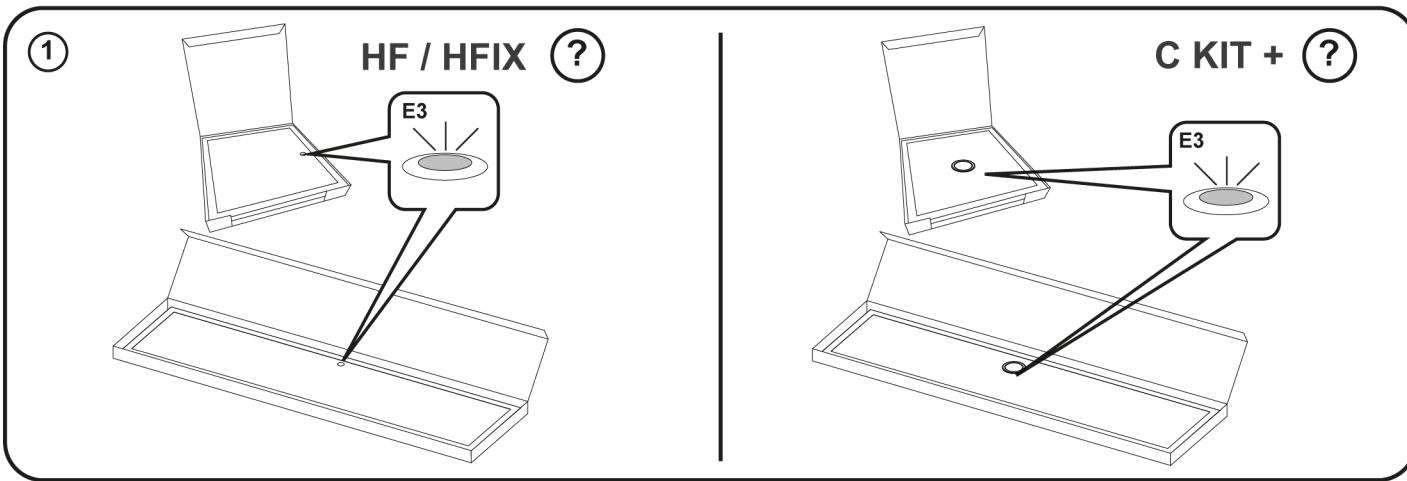
Omega Pro2 600x600 & 625x625 Omega Pro2 300x1200 & 312x1250



DE Leuchte darf nicht mit Wärmedämmung abgedeckt werden.
GB Luminaire not suitable for covering with thermally insulating material.

- [CZ] Montážní návod
- [DE] Montageanleitung
- [DK] Monteringsvejledning
- [EE] Paigaldusjuhend
- [FI] Asennusohje
- [FR] Notice de montage
- [HU] Szerelési útmutató
- [IT] Istruzioni di montaggio

- [LT] Montavimo Instrukcijos
- [LV] Instalācijas instrukcija
- [NO] Monteringsanvisning
- [PL] Instrukcja montażu
- [RU] Инструкция по монтажу
- [SE] Installationsanvisning
- [UK] Installation Instructions



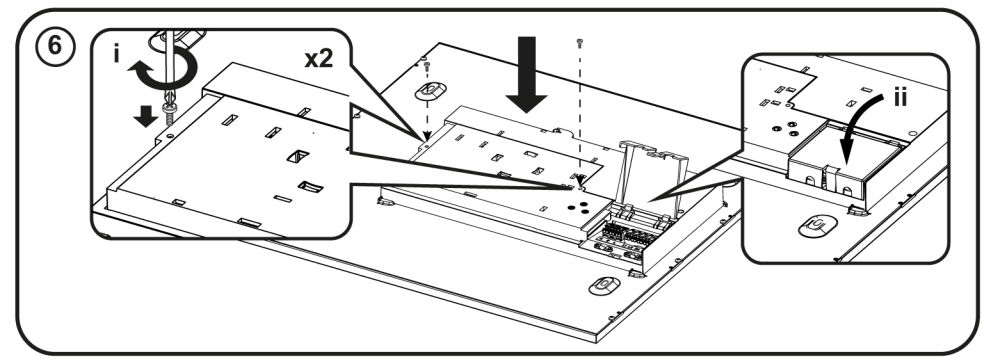
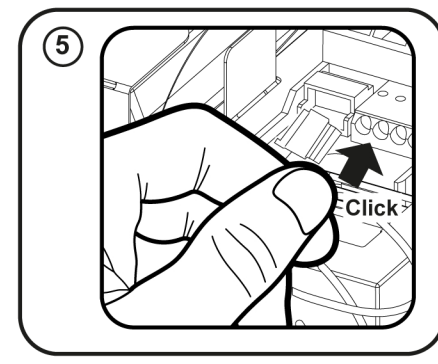
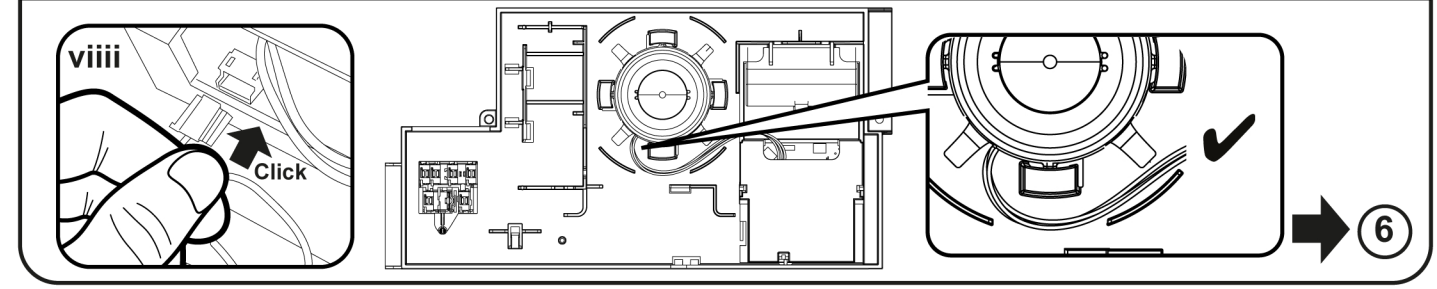
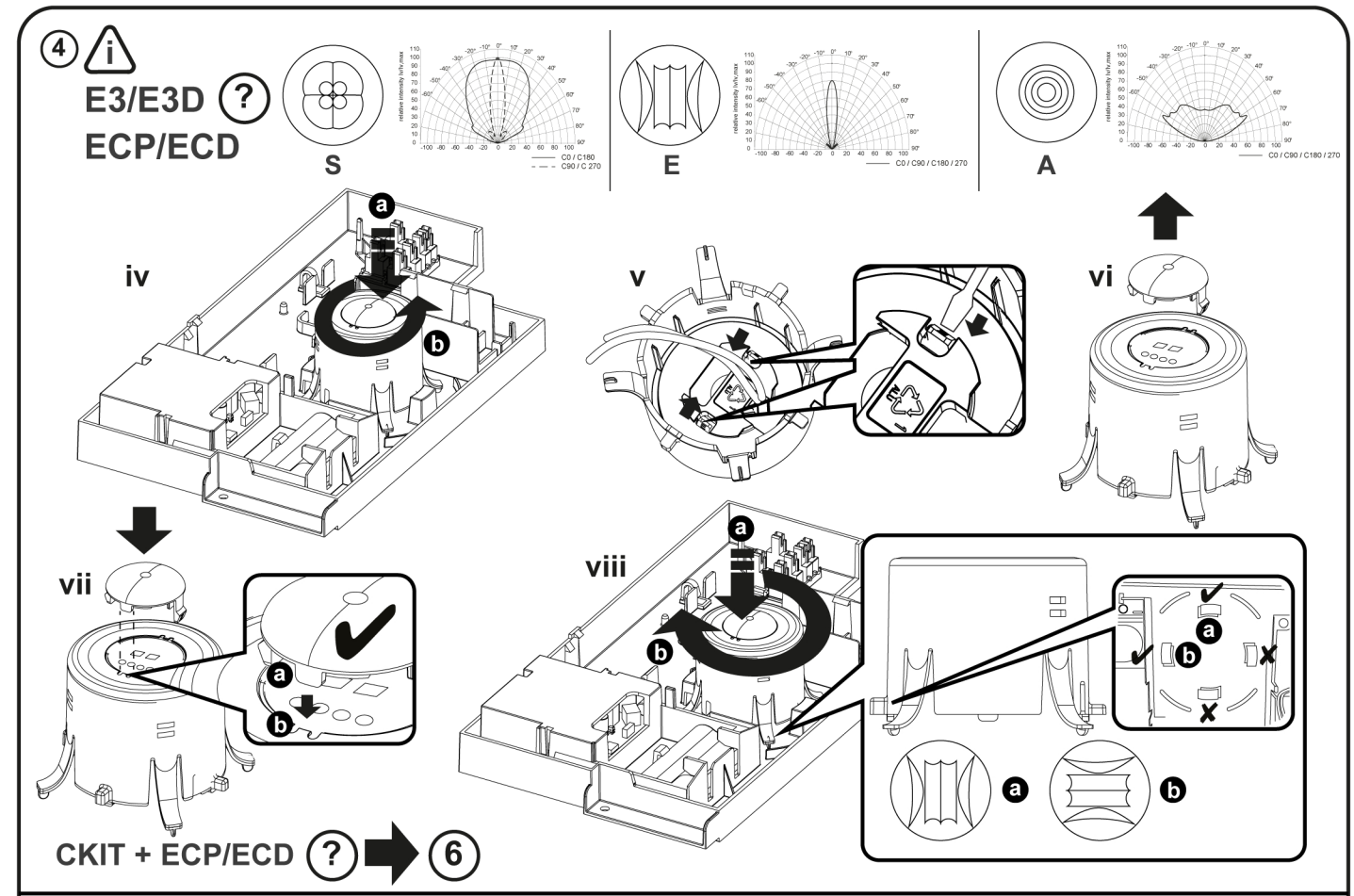
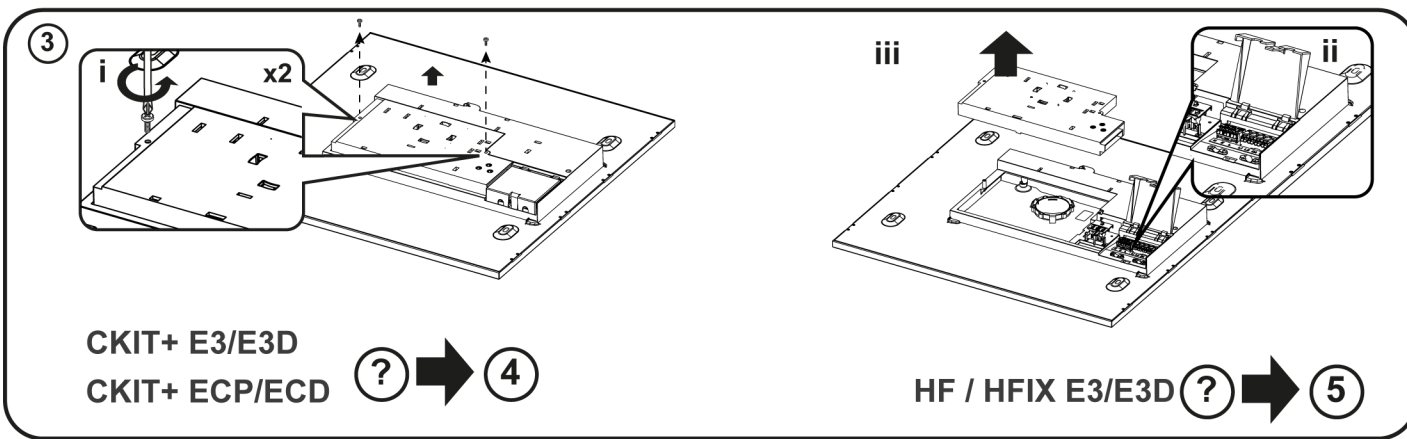
Q600	96633189
Q625	96633190
3x12	96633191
3x12D	96633192

Q600	96633197
Q625	96633197
3x12	96633197
3x12D	96633197

Q600	96633271
Q625	96633271
3x12	96633271
3x12D	96633271

Q600/Q625	96633198
3x12/3x12D	96633300
Armstrong	
SAS	
Burgess	96404232

Q600	96633193
Q625	96633194
3x12	96633195
3x12D	96633196



C KIT + E3 / E3D

HF / HFIX + E3 / E3D

59010611 – LiFePO4 Lithium Iron Battery < 3h

59010274 – LiFePO4 Lithium Iron Battery < 3h