

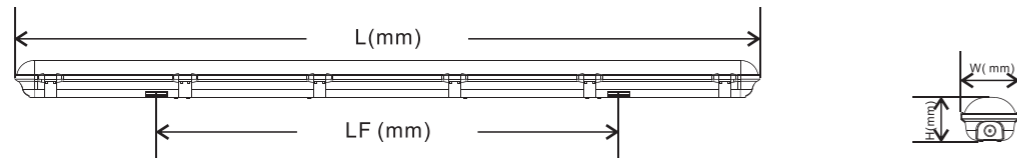
JULIE LED IP65



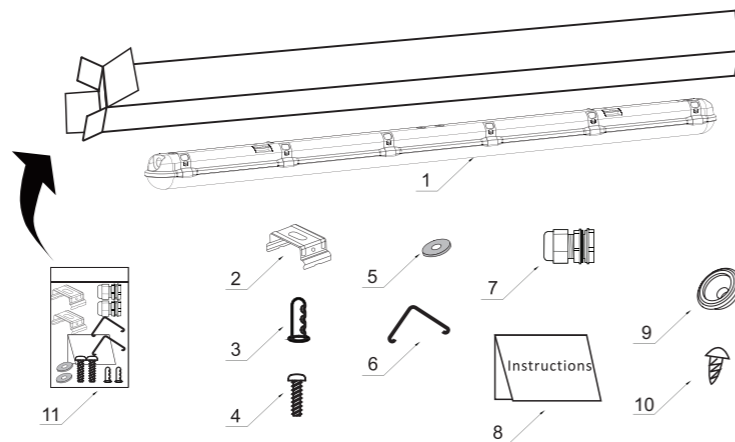
EN	Installation Instructions	HR	Uputstvo za montažu	SE	Installationsanvisning
DE	Montageanleitung	NL	Montagehandleiding	RU	Инструкция по монтажу
CZ	Montážní návod	RO	Instructiuni de montaj	SRB	Instrukcija za instalaciju
DK	Monteringsvejledning	IT	Istuzioni di montaggio	SK	Montážny návod
EE	Paigaldusjuhend	LT	Montavimo Instrukcijos	SLO	Navodilo za montažo
FI	Asennusohje	LV	Instalācijas instrukcija	CN	安装说明书
FR	Notice de montage	NO	Monteringsanvisning		
HU	Szerelési útmutató	PL	Instrukcja montażu		

1. Installation and commissioning may only be carried out by authorized specialists and wired in accordance with the latest IEE electrical regulations or the national standards.
2. Mains power must be switched off before carrying out installation.
3. The manufacturer, shall not be liable for any damage resulting from inappropriate modifications to the luminaire or faulty installation.
4. Caution, risk of electric shock.
The control gear provides basic insulation between the LV supply and the control circuit

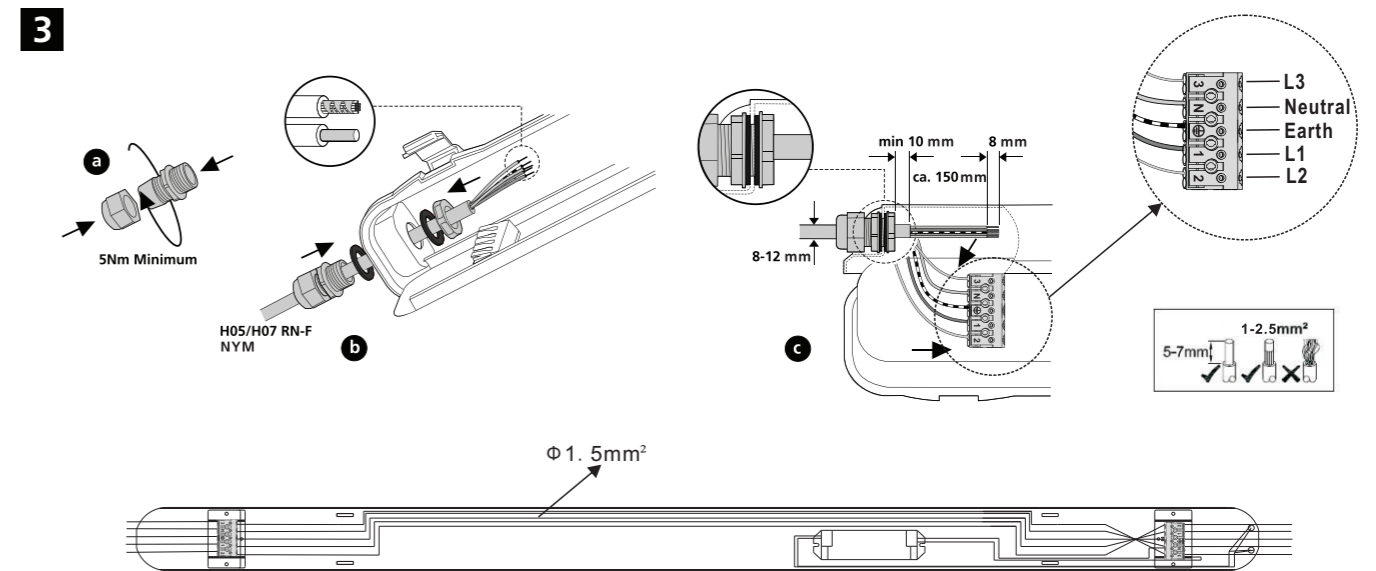
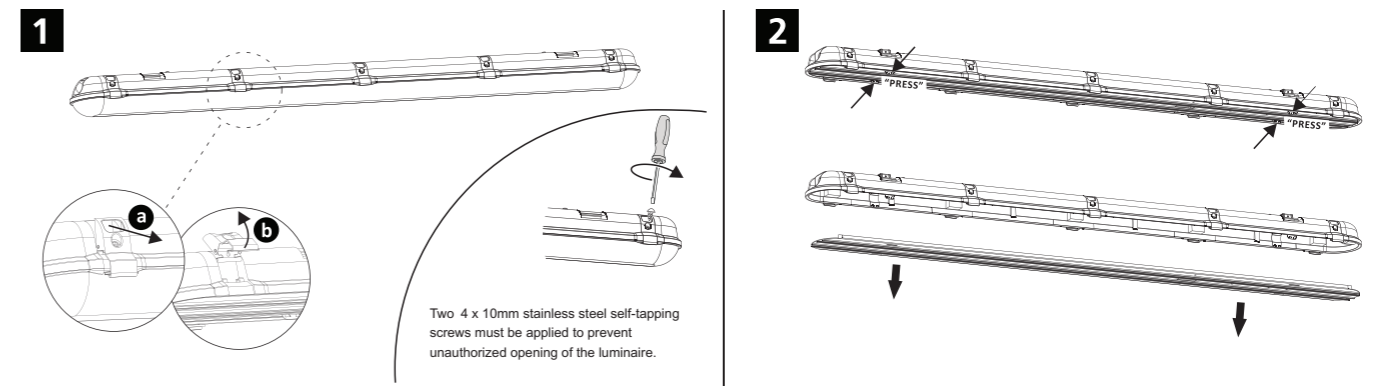
Product Description	Wattage	SAP Code	L	W	H	LF
JULIE 1200 LED IP65 4200 840 TW	38W	96630239	1232	103	78	900
JULIE 1500 LED IP65 4200 840 TW	38W	96630240	1532	85	78	950
JULIE 1500 LED IP65 6300 840 TW	55W	96630241	1532	103	78	950



1	LED waterproof lighting	X1
2	SS hook	X2
3	plastic expansion	X2
4	Round head self-drilling screw 5x30	X2
5	Flat gasket 12x6/Center hole 6mm	X2
6	Triangle hook	X2
7	M20 five-set cable drill	X2
8	Instructions	X1
9	Grommet	X1
10	4 x 10mm stainless steel self-tapping screw	X2
11	Accessory bag	X1



JULIE LED IP65



4 Maximum no. of products: 25PCS

