

NDA-5081-PC Paintable cover, F360, 4pcs



Paintable cover accessories are used to customize a device's appearance and tailor it to its surroundings.

Functions

Customization

This paintable cover features a black finish allowing it to be easily repainted in the desired color to customize the device's appearance.

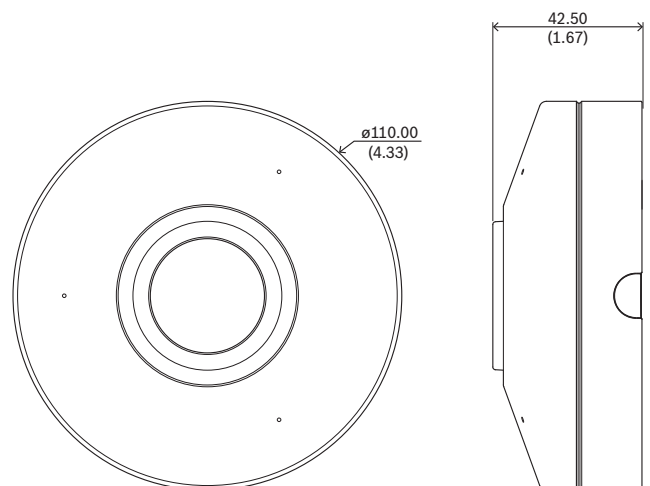
Certifications and approvals

Environmental

Vibration	IEC60068-2-6
Shock	IEC60068-2-27
Impact	IK04

- ▶ Easy installation
- ▶ Weather resistant finish to maintain cosmetic appearance

Installation/configuration notes



Dimensions in mm (inch)

Parts included

Quantity	Component
4	Paintable cover
1	QIG

Technical specifications

Mechanical

Dimension (Ø x H) (mm)	110 mm x 42.5 mm
Dimension (Ø x H) (in)	4.33 in x 1.67 in

Weight (g)	46 g
Weight (lb)	0.10 lb
Material	Plastic
Color in RAL	RAL 9017 Traffic black

Ordering information

NDA-5081-PC Paintable cover, F360, 4pcs

Paintable cover for FLEXIDOME panoramic 5100i

Order number **NDA-5081-PC** | **F.01U.394.005**

Represented by:

Europe, Middle East, Africa:
Bosch Security Systems B.V.
P.O. Box 80002
5600 JB Eindhoven, The Netherlands
Phone: + 31 40 2577 284
emea.securitysystems@bosch.com
emea.boschsecurity.com

Germany:
Bosch Sicherheitssysteme GmbH
Robert-Bosch-Ring 5
85630 Grasbrunn
Germany
www.boschsecurity.com

North America:
Bosch Security Systems, LLC
130 Perinton Parkway
Fairport, New York, 14450, USA
Phone: +1 800 289 0096
Fax: +1 585 223 9180
onlinehelp@us.bosch.com
www.boschsecurity.us

Asia-Pacific:
Robert Bosch (SEA) Pte Ltd, Security Systems
11 Bishan Street 21
Singapore 573943
Phone: +65 6571 2808
Fax: +65 6571 2699
apr.securitysystems@bosch.com
www.boschsecurity.asia