

25009696	<b>DATA SHEET</b>	
Valid from: 18.09.2020	<b>EPIC® POWER LS1 KIT A3 3+PE+4</b>	

## Description

- Circular connectors for servomotors and power supply
- High power at smallest installation space
- Optimal solution for electric motors
- EMC-optimised design
- Safety use in field environment by high protection class



## General Characteristics

Series	POWER LS 1
Version	Angled, rotatable for male contacts
Pin configuration	3+PE+4
Rated voltage (V)	630 V (2 mm Contacts) 250 V (1 mm Contacts)
Rated impulse voltage	6 kV (2 mm Contacts) 4 kV (1 mm Contacts)
Rated current (A)	25 A (2 mm Contacts) 7 A (1 mm Contacts)
Contact resistance	< 4 mOhm
Contacts included	Yes
Contacts	Gold plated brass
Number of contacts	3+PE+4
Termination methods	Crimp termination: 0.5 - 2.5 mm <sup>2</sup> (2 mm contacts) Crimp termination: 0.14 - 1.0 mm <sup>2</sup> (1 mm contacts)
Cable clamping range	Ø 2,7 mm (4x)
Protection	IP 65 (latched and locked)
Cycle of mechanical operation	500
Temperature range	-25°C to +125°C
Degree of soiling	3

## Materials and Surfaces

Housing	Blue chromated (CrVI free) zinc die-casting
Insert	PA
Seal	FPM

## Approvals

UL-File-Number	E249137
----------------	---------

## Standard

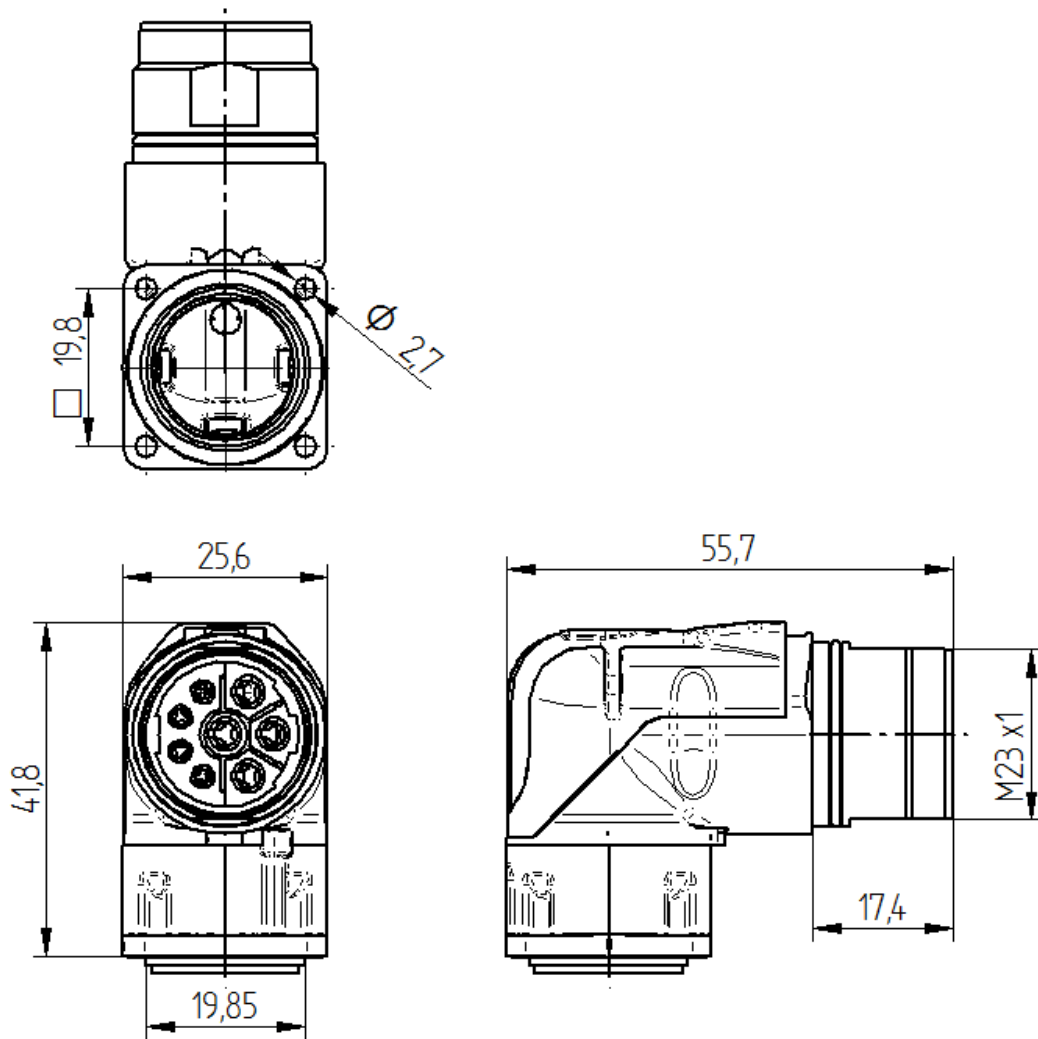
Safety Standard	IEC 61984; UL 2238; CSA 22.2 182.3
-----------------	------------------------------------



Creator: STKU3/PDP Released: IVSE1/PDP	Document: DB25009696EN Version: 02	Page 1 of 3
---	---------------------------------------	-------------

25009696	<b>DATA SHEET</b>	
Valid from: 18.09.2020	<b>EPIC® POWER LS1 KIT A3 3+PE+4</b>	

### Technical Drawings



Good chemical resistance



Corrosion-resistant



Industrial machinery and plant engineering



Maximum vibration protection



Mechanical resistance

Creator: STKU3/PDP Released: IVSE1/PDP	Document: DB25009696EN Version: 02	Page 2 of 3
---	---------------------------------------	-------------

25009696	<b>DATA SHEET</b>	
Valid from: 18.09.2020	<b>EPIC® POWER LS1 KIT A3 3+PE+4</b>	



Assembly time



Space requirement



Robust



Waterproof



Wind Energy



Variety of approval certifications

#### Info

Rotateable with clearly defined adjustment positions

#### Application range

Plant engineering

Servo drives and servo assemblies

#### Remark

Photographs are not to scale and do not represent detailed images of the respective products.

Creator: STKU3/PDP Released: IVSE1/PDP	Document: DB25009696EN Version: 02	Page 3 of 3
---	---------------------------------------	-------------